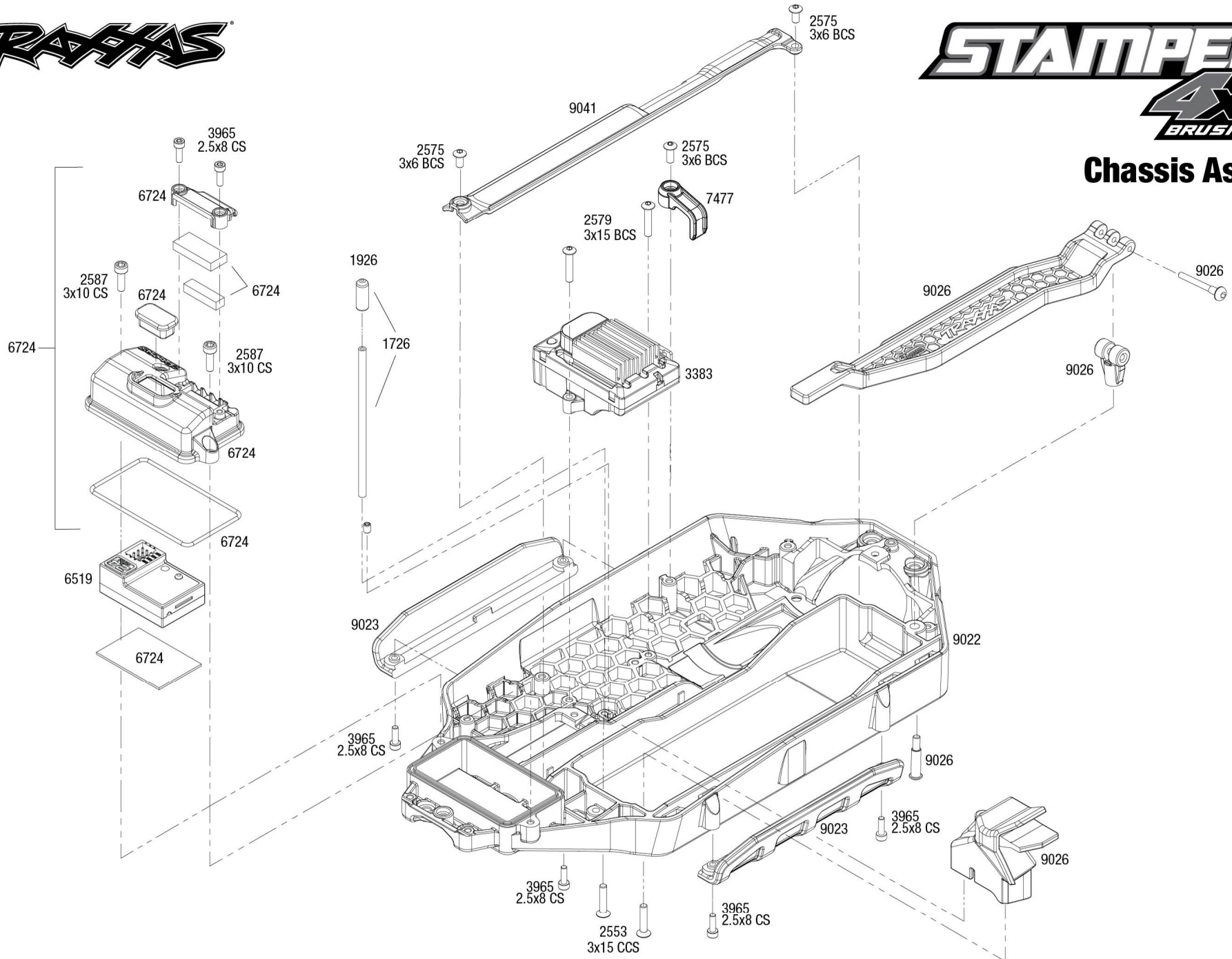




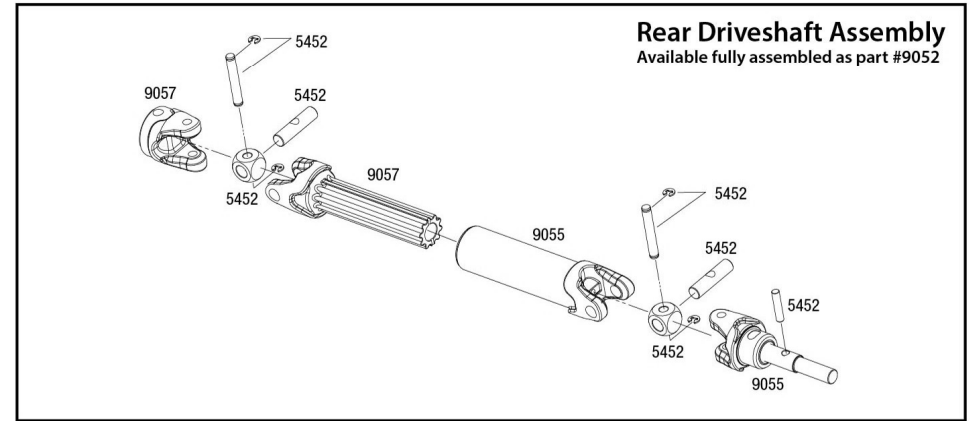
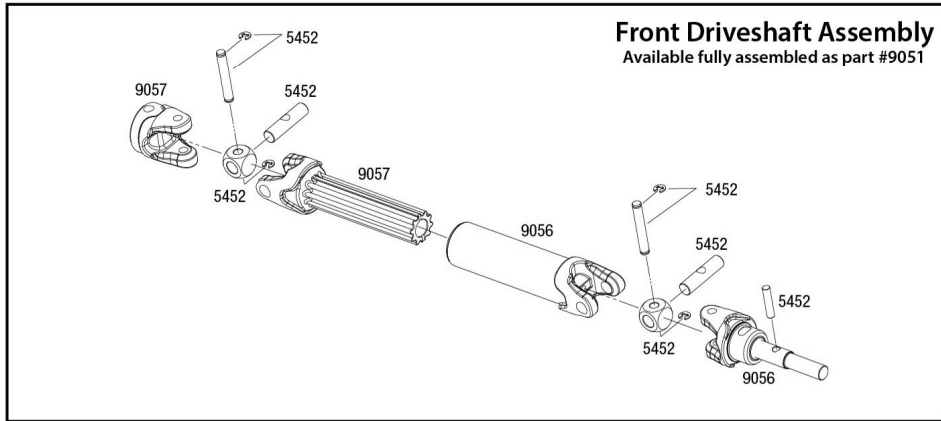
Chassis Assembly



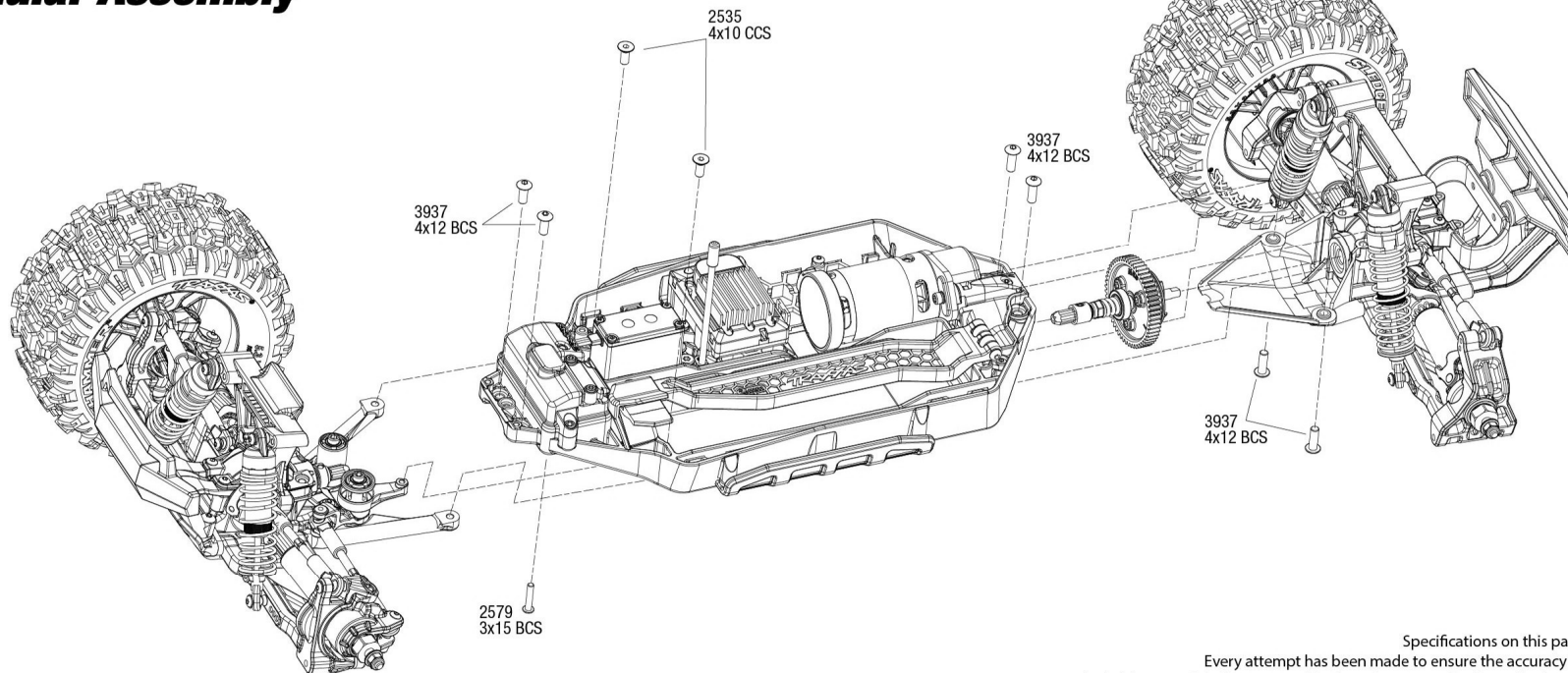
Specifications on this page are subject to change without notice. Every attempt has been made to ensure the accuracy of this drawing; however, Traxxas cannot be held responsible for typographical or other errors.

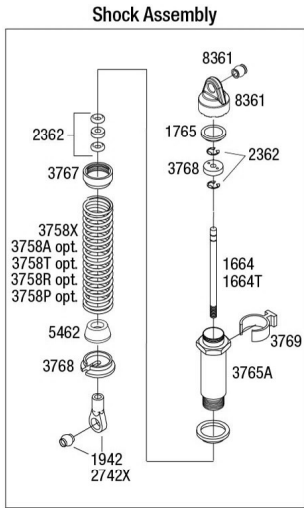
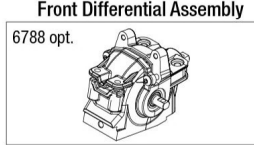
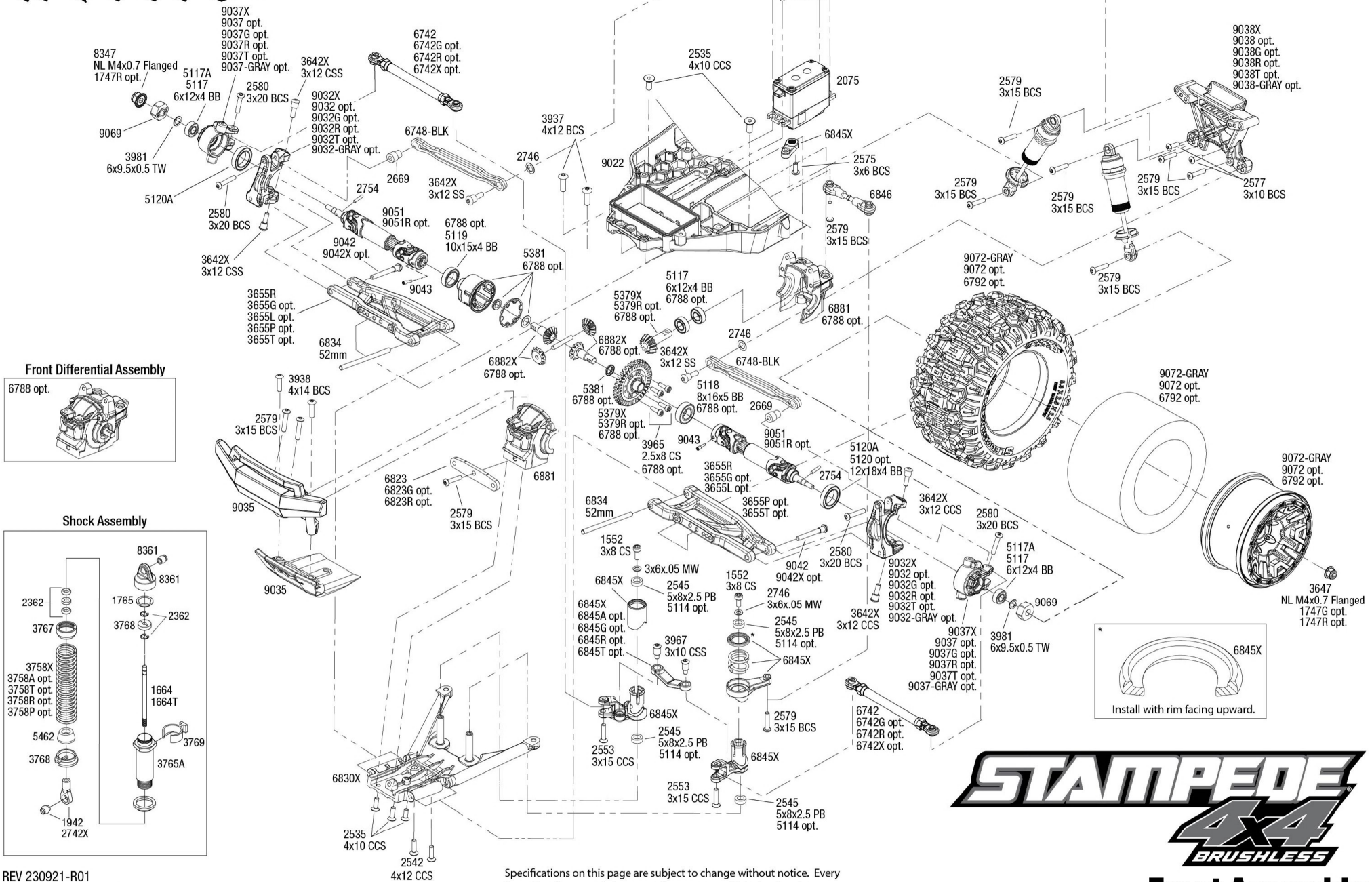
See Parts List for a complete listing of optional accessories.

Driveshafts



Modular Assembly





REV 230921-R01
See Parts List for a complete listing of optional accessories.

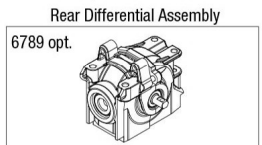
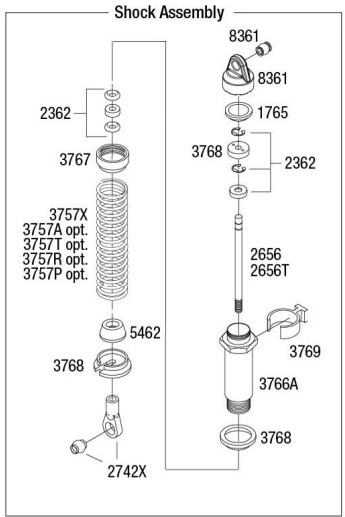
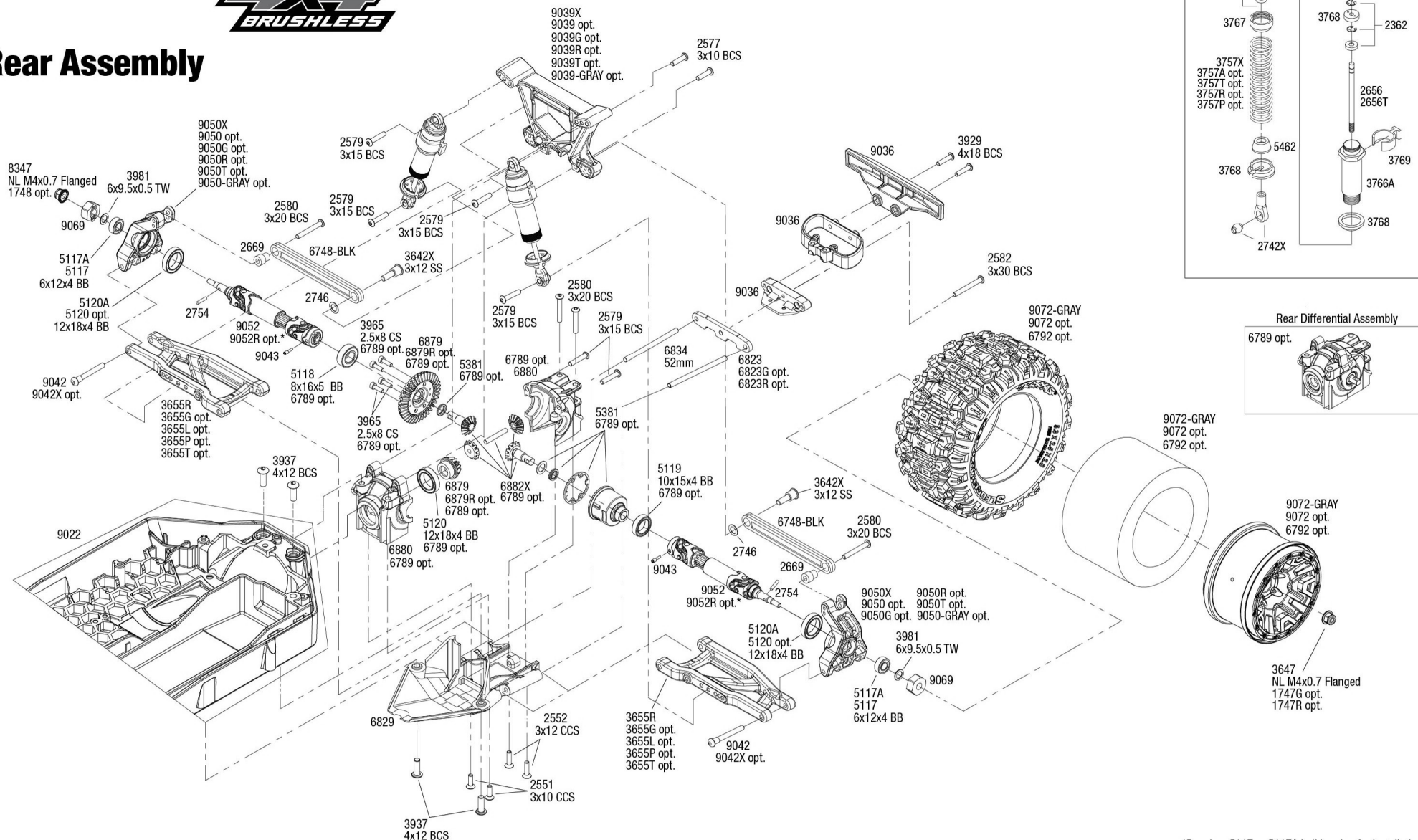
Specifications on this page are subject to change without notice. Every attempt has been made to ensure the accuracy of this drawing; however, Traxxas cannot be held responsible for typographical or other errors.



Front Assembly

STAMPEDE 4x4 BRUSHLESS

Rear Assembly



*Requires 5117 or 5117A ball bearing for installation.

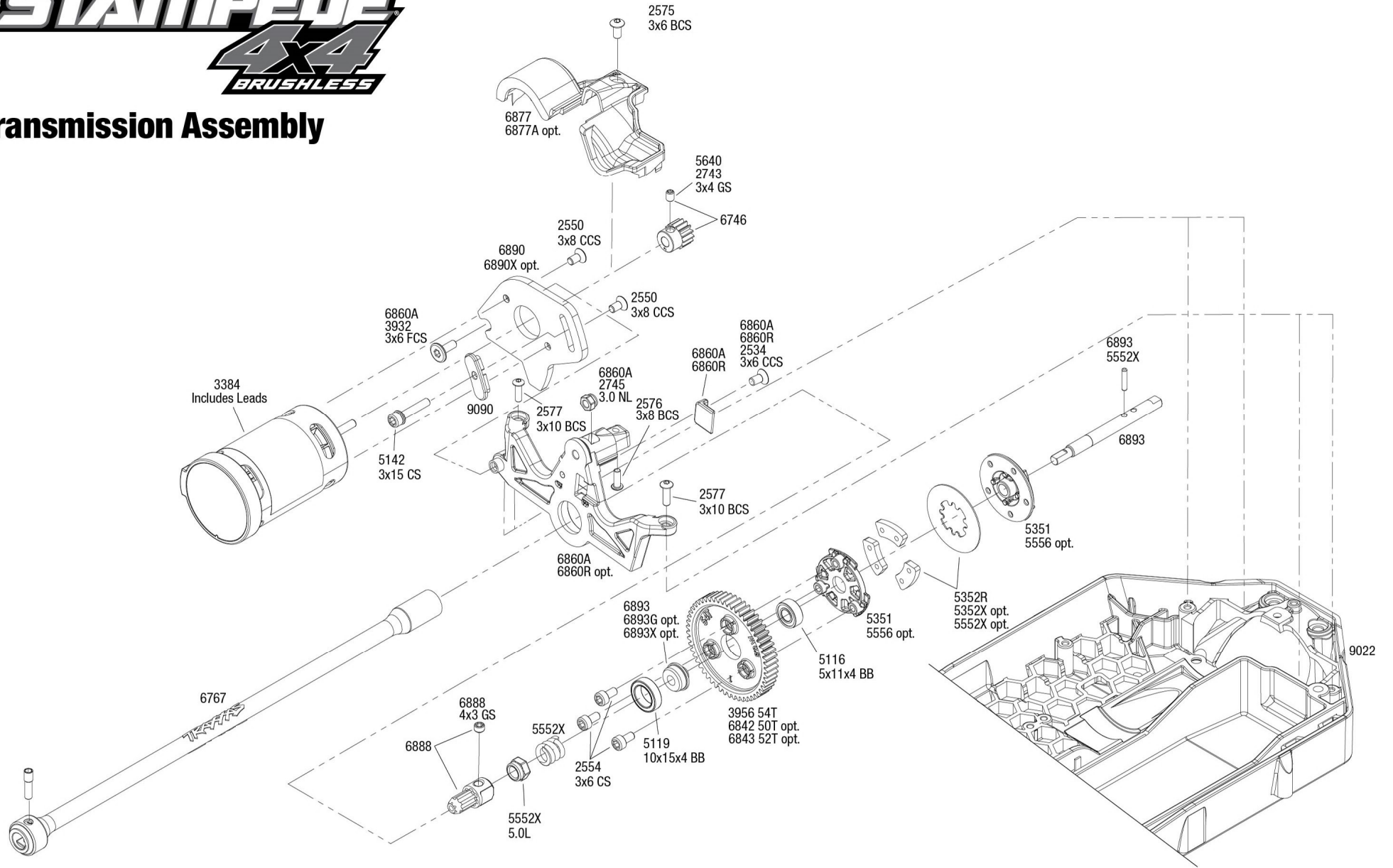


See Parts List for a complete listing of optional accessories.

Specifications on this page are subject to change without notice. Every attempt has been made to ensure the accuracy of this drawing; however, Traxxas cannot be held responsible for typographical or other errors.

STAMPEDE 4x4 BRUSHLESS

Transmission Assembly



See Parts List for a complete listing of optional accessories.

REV 230921-R01
Specifications on this page are subject to change without notice. Every attempt has been made to ensure the accuracy of this drawing; however, Traxxas cannot be held responsible for typographical or other errors.