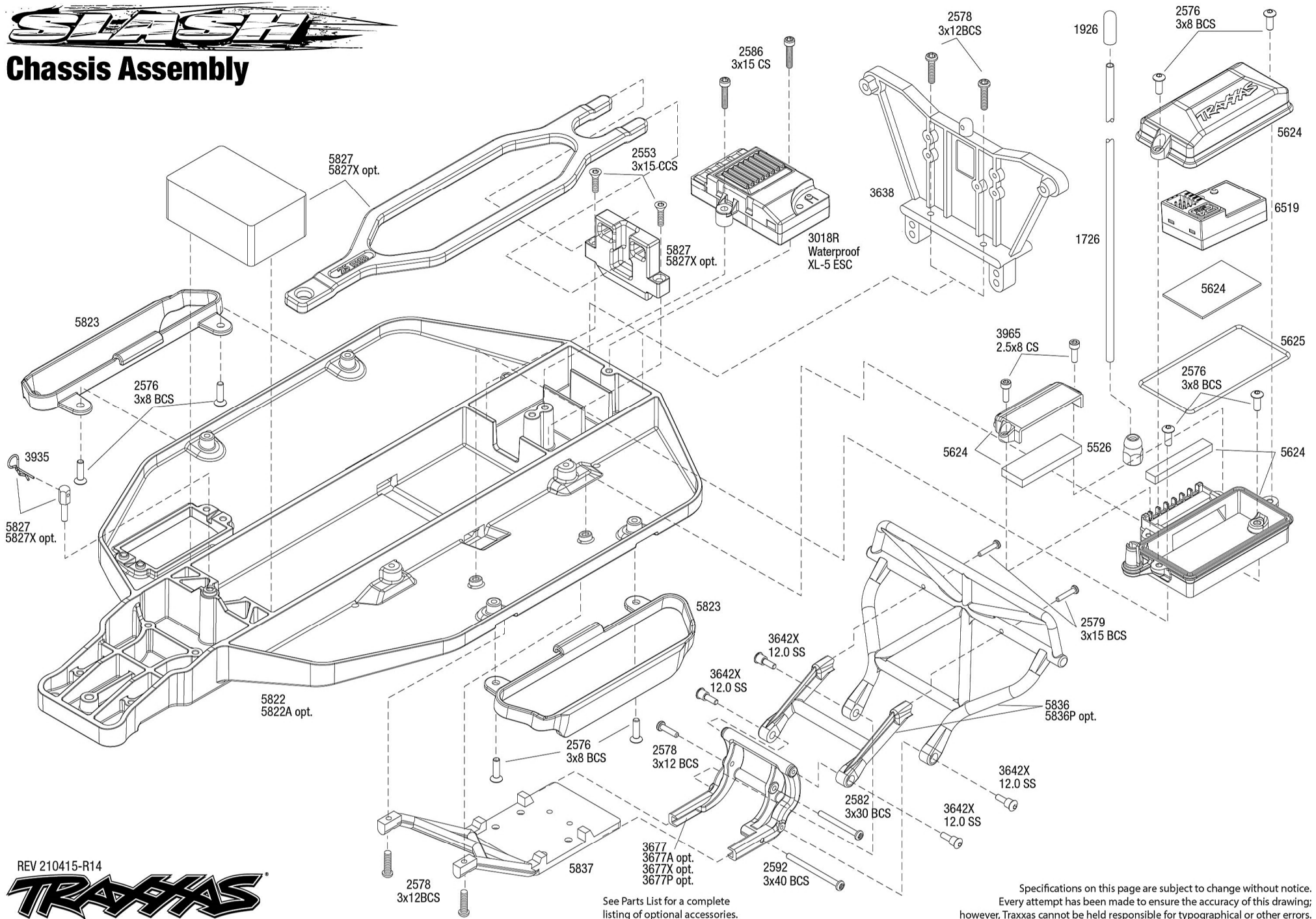




# Chassis Assembly

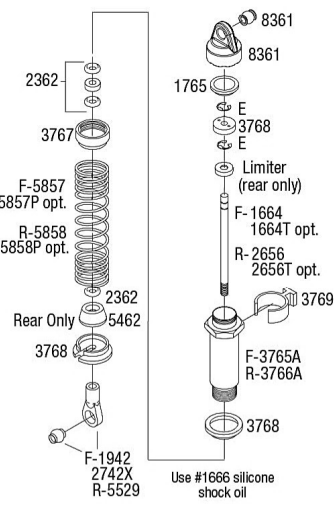
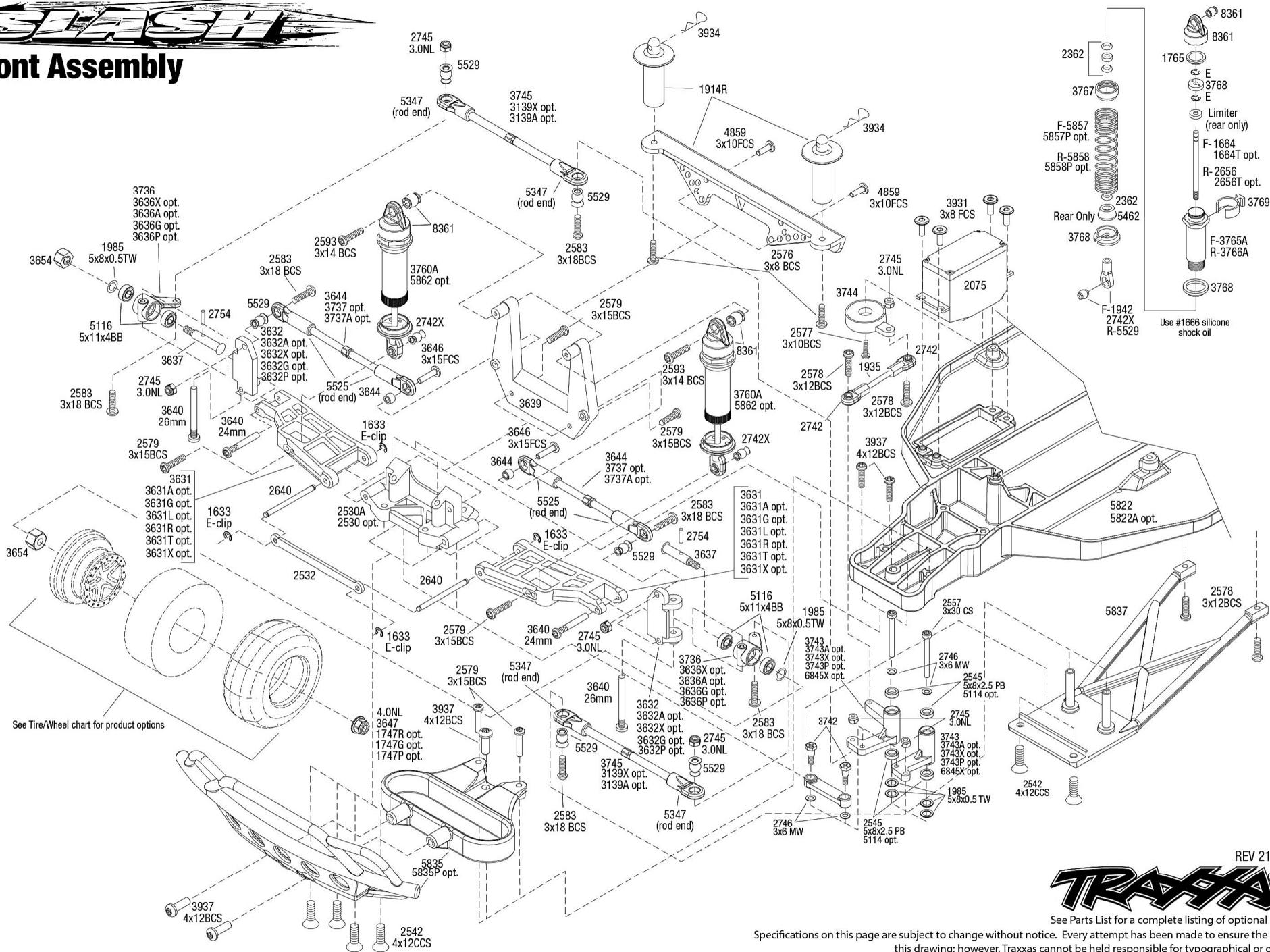


REV 210415-R14





# Front Assembly

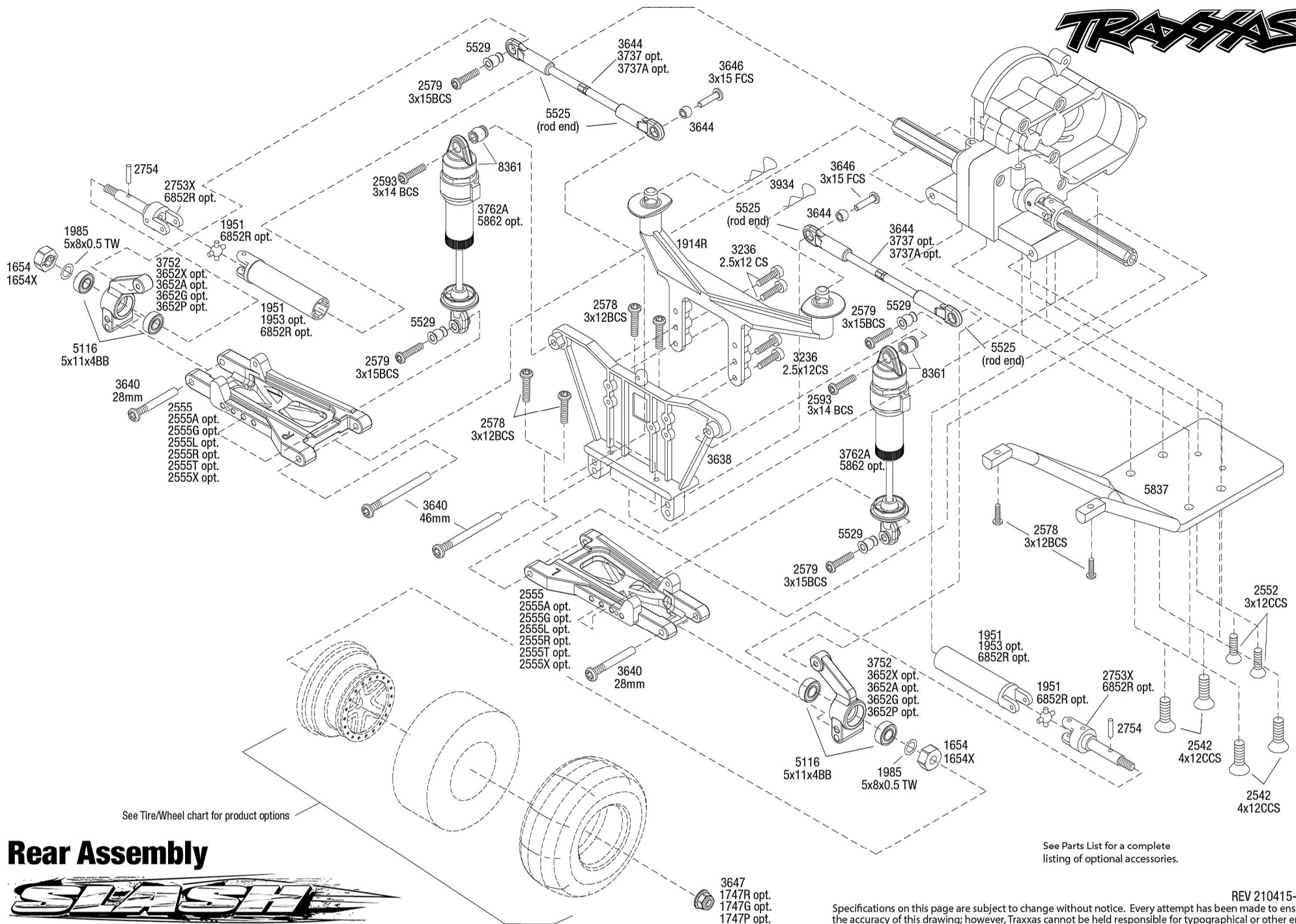


See Tire/Wheel chart for product options

REV 210415-R14



See Parts List for a complete listing of optional accessories. Specifications on this page are subject to change without notice. Every attempt has been made to ensure the accuracy of this drawing; however, Traxxas cannot be held responsible for typographical or other errors.



See Tire/Wheel chart for product options

See Parts List for a complete listing of optional accessories.

## Rear Assembly

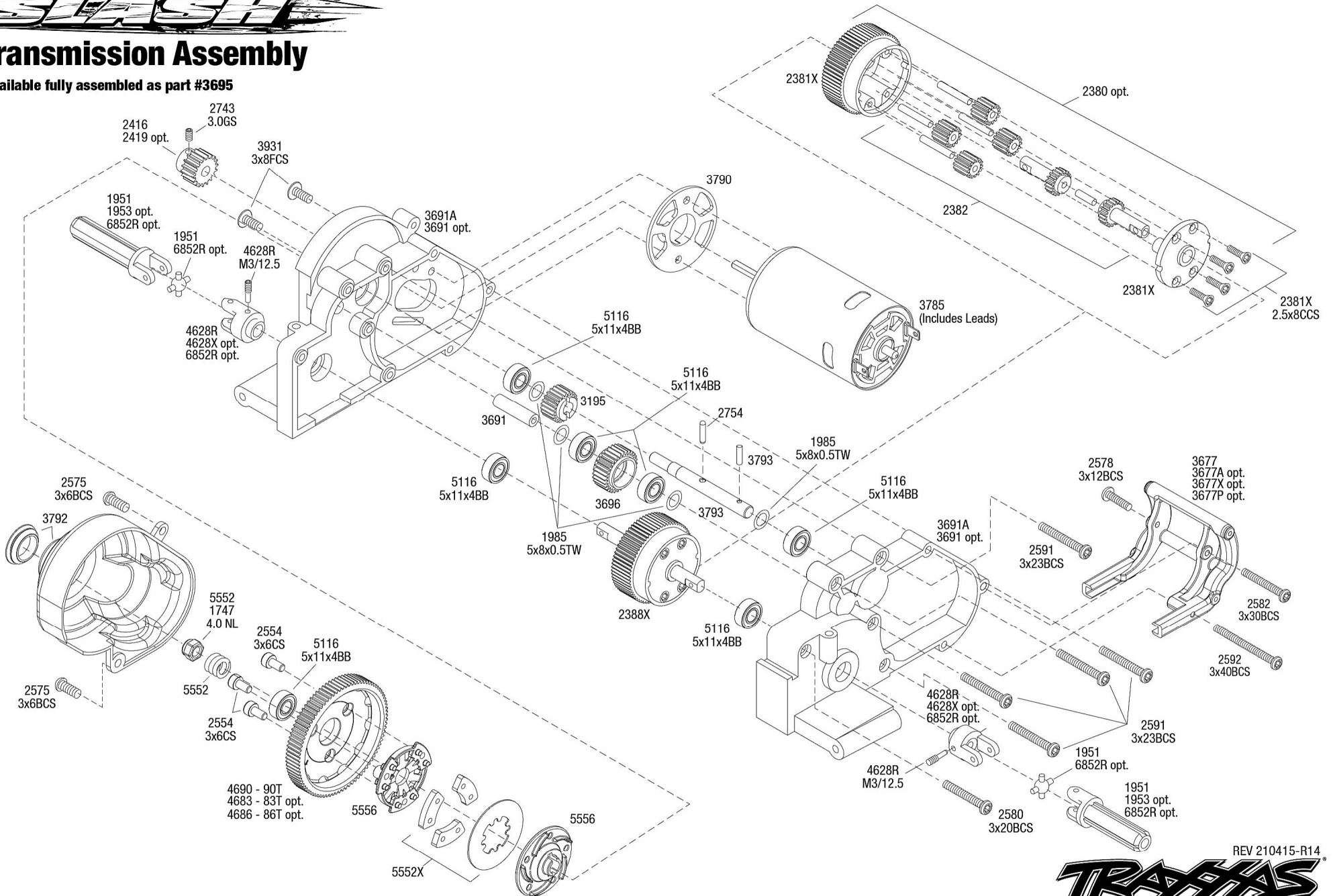


Specifications on this page are subject to change without notice. Every attempt has been made to ensure the accuracy of this drawing; however, Traxxas cannot be held responsible for typographical or other errors.



# Transmission Assembly

Available fully assembled as part #3695



See Parts List for a complete listing of optional accessories.

Specifications on this page are subject to change without notice. Every attempt has been made to ensure the accuracy of this drawing; however, Traxxas cannot be held responsible for typographical or other errors.

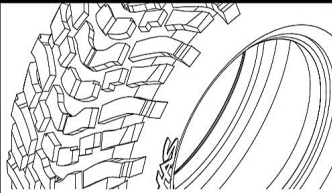
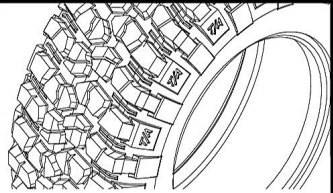
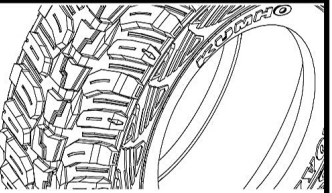
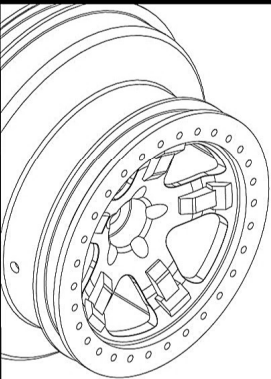
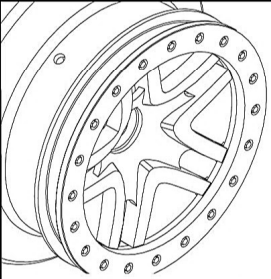


REV 210415-R14



# Wheel and Tire Chart



|  |   | <br><b>Traxxas SCT Tires with Foam Inserts</b> |                                     | <br><b>BFGoodrich® Mud Terrain™ T/A® Tires with Foam Inserts</b> |                                     | <br><b>Kumho Road Venture MT tires with Foam Inserts</b> |                                     |       |
|--|---|---|-------------------------------------|---|-------------------------------------|---|-------------------------------------|-------|
|  |   | 5871  | S1 Ultra-Soft Racing Compound 5871R | 6871  | S1 Ultra-Soft Racing Compound 6871R | 6870  | S1 Ultra-Soft Racing Compound 6870R |       |
| Wheels*  |   | Assembled Wheels and Tires  |                                     | Assembled Wheels and Tires  |                                     | Assembled Wheels and Tires  |                                     |       |
| <br><b>Traxxas SCT Wheels</b>  | Satin Beadlock/ Satin Wheel - Slash Rear or Slash 4X4 Front/Rear        | 5872  | 5873†                               | -   | -                                   | -   | -                                   |       |
|  | Satin Beadlock/ Satin Wheel - Slash Front                               | 5874  | 5875                                | -   | -                                   | -   | -                                   |       |
|  | Red Beadlock/ Satin Wheel - Slash Rear or Slash 4X4 Front/Rear          | 5872A   | 5873A                               | 5873R   | -                                   | -   | -                                   |       |
|  | Red Beadlock/ Satin Wheel - Slash Front                                 | 5874A   | -                                   | -   | -                                   | -   | -                                   |       |
|  | Black Beadlock/ Satin Wheel - Slash Rear or Slash 4X4 Front/Rear        | 5872X   | 5873X                               | -   | 5878                                | -   | 5880X                               |       |
|  | Black Beadlock/ Satin Wheel - Slash Front                               | 5874X   | 5875X                               | -   | -                                   | -   | 5881X                               |       |
|  | Red Beadlock/ Chrome Wheel - Slash Rear or Slash 4X4 Front/Rear         | 5868  | -                                   | -   | 5867                                | -   | -                                   |       |
|  | Red Beadlock/ Chrome Wheel - Slash Front                                | 5870  | -                                   | -   | 5869                                | -   | -                                   |       |
|  | Green Beadlock/ Chrome Wheel - Slash Front                              | 5866  | -                                   | -   | 5865                                | -   | -                                   |       |
|  | Green Beadlock/ Chrome Wheel - Slash Rear or Slash 4X4 Front/Rear       | 6875  | -                                   | -   | 6876                                | -   | -                                   |       |
| <br><b>Split Spoke Wheels</b> | Orange Beadlock/ Black Wheel - Slash Front                              | 5870X   | 5864                                | -   | -                                   | -   | -                                   |       |
|  | Orange Beadlock/ Black Wheel - Slash Rear or Slash 4X4 Front/Rear       | 5868X   | 5863†                               | 5863R†  | -                                   | -   | -                                   |       |
|  | Black Beadlock/ Satin Wheel - Slash Rear or Slash 4X4 Front/Rear        | 6872  | -                                   | -   | 6873†                               | 6873X   | 6874                                | 6874R |
|  | Black Beadlock/ Satin Wheel - Slash Front                               | 5876  | -                                   | -   | 5877                                | -   | 5882                                | 5882R |
|  | Red Beadlock/ Chrome Wheel - Slash Rear or Slash 4X4 Front/Rear         | 6872A   | -                                   | -   | 6873A                               | 6873R   | -                                   | -     |
|  | Red Beadlock/ Chrome Wheel - Slash Front                                | 5876A   | -                                   | -   | 5877A                               | 5877R   | -                                   | -     |
|  | Green Beadlock/ Chrome Wheel - Slash Rear or Slash 4X4 Front/Rear Front | 6872X   | -                                   | -   | -                                   | -   | -                                   | -     |
|  | Satin Beadlock/ Black Wheel - Slash Front                               | 5886  | -                                   | -   | 5885                                | -   | -                                   | -     |
|  | Satin Beadlock/ Black Wheel - Slash Rear or Slash 4X4 Front/Rear        | 5884  | -                                   | -   | 5883                                | -   | -                                   | -     |
|  | Blue Beadlock/ Black Wheel - Slash Front                                | 5886A   | -                                   | -   | 5885A                               | -   | -                                   | -     |
| Blue Beadlock/ Black Wheel - Slash Rear or Slash 4X4 Front/Rear  | 5884A   | -   | -                                   | 5883A   | -                                   | -   | -                                   |       |

\* Wheels and/or tires sold in pairs  
 †TSM rated

Specifications on this page are subject to change without notice. Every attempt has been made to ensure the accuracy of this drawing; however, Traxxas cannot be held responsible for typographical or other errors. See Parts List for a complete listing of optional accessories.

BFGoodrich® Tires Trademarks are used under license from Michelin Group Companies.

REV 210415-R14