

4.ONL  
3647  
1747R opt.  
1747G opt.  
1747P opt.

3669  
3669A opt.

3654

3186  
3x12WM

2742

2336  
78mm

1834

3x10WST

1834

3x10WST

3614

F-3758X  
3758A opt.  
3758T opt.  
3758R opt.  
3758P opt.

R-3757X  
3757A opt.  
3757T opt.  
3757R opt.  
3757P opt.

2362

3767

1765

8361

E  
3768  
E

Limiters,  
Rear only

F-1664  
1664T opt.

R-2656  
2656T opt.

F-3765A  
R-3766A

3769

Use #1666 silicone  
shock oil

1985  
5x8x0.5PTW

3736  
3636X opt.  
3636A opt.  
3636G opt.  
3636P opt.

3740  
31.5mm

2746

3642  
3x12x5SS

3641A  
69mm

3760A  
2660 opt.

2742

3642  
3x12x5SS

3187  
3x15WM

3288  
3x15WST

3642  
3x12x5SS

3642  
3x12x5SS

3290  
3x8WST

2056  
2075 opt.

3768

1942  
2742X

1675  
5x11x40B  
5116 opt.

3637

3632  
3632A opt.  
3632X opt.  
3632G opt.  
3632P opt.

3739  
24mm

2746  
3x6MW

2746  
3x6MW

3631A opt.  
3631G opt.  
3631R opt.  
3631T opt.  
3631L opt.  
3631X opt.

3631

2746  
3x6MW

3639

2593  
3x14 BCS

3288  
3x15WST

3642  
3x12x5SS

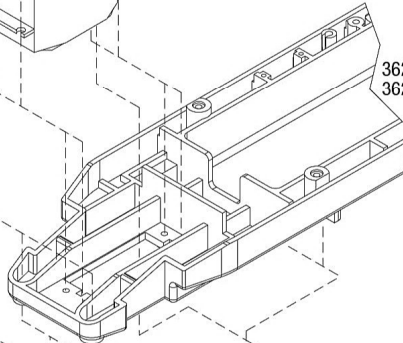
8361

3760A  
2660 opt.

2742

3290  
3x8WST

2056  
2075 opt.



2573  
4x15RM

3622R  
3622X opt.

2735  
2735P

2548  
4x12CM

3739  
40mm

2530A  
2530 opt.

3641A  
69mm

2746  
3x6MW

3642  
3x12x5SS

8361

3760A  
2660 opt.

2742

2754

3637

1675  
5x11x40B  
5116 opt.

3736  
3636X opt.  
3636A opt.  
3636G opt.  
3636P opt.

3739  
24mm

3740  
31.5mm

1985  
5x8x0.5PTW

1675  
5x11x40B  
5116 opt.

3736  
3636X opt.  
3636A opt.  
3636G opt.  
3636P opt.

3739  
24mm

3740  
31.5mm

2754

3637

1675  
5x11x40B  
5116 opt.

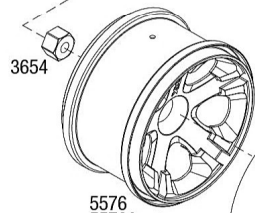
3736  
3636X opt.  
3636A opt.  
3636G opt.  
3636P opt.

3739  
24mm

3740  
31.5mm

1985  
5x8x0.5PTW

1675  
5x11x40B  
5116 opt.



3654

5576  
5576A opt.  
3673 opt.  
3675 opt.

3671

3671

4.ONL  
3647  
1747R opt.  
1747G opt.  
1747P opt.



REV 210415-R02

**TRAXXAS**

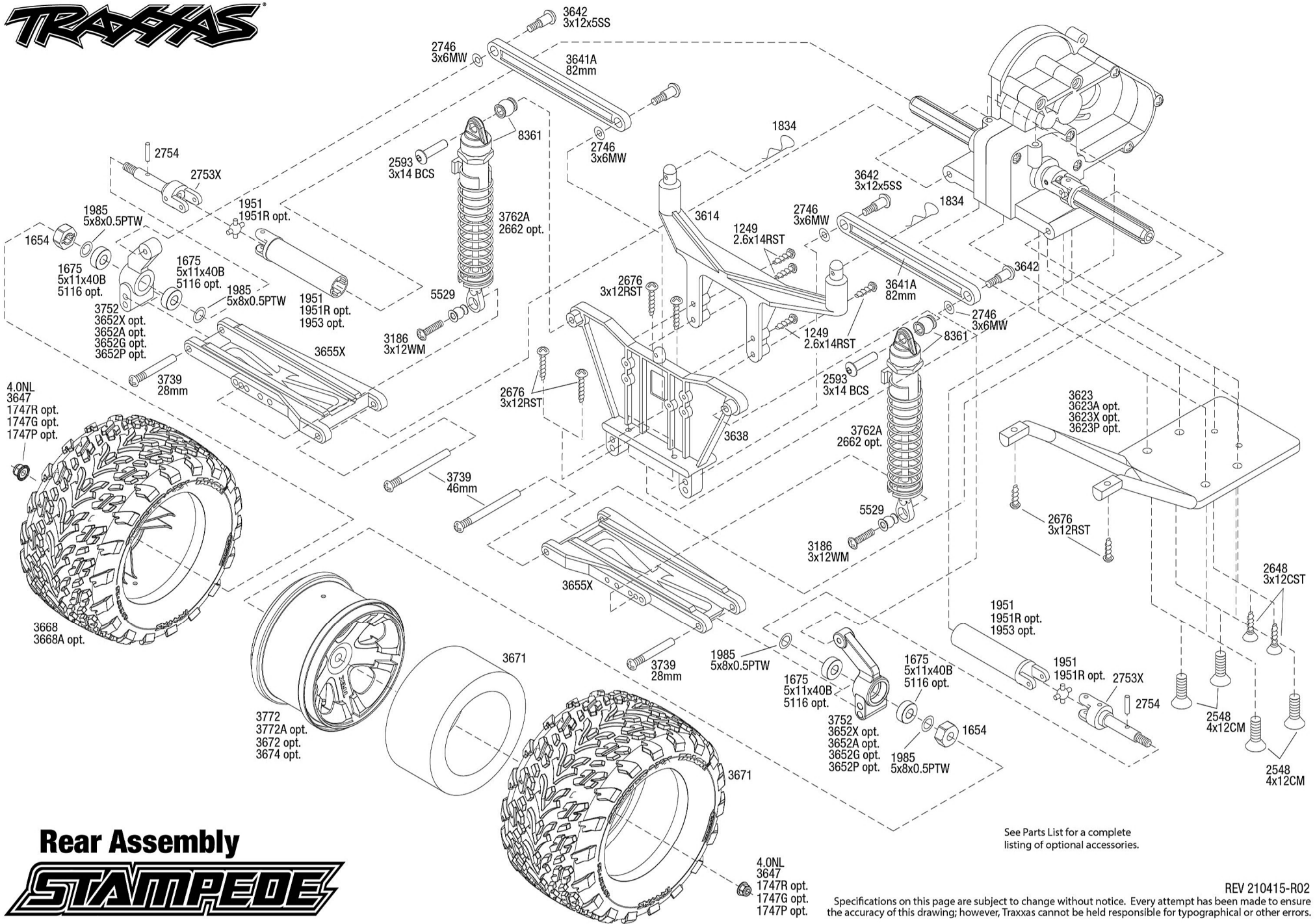
See Parts List for a complete  
listing of optional accessories.

Specifications on this page are subject to change without notice. Every  
attempt has been made to ensure the accuracy of this drawing; however,  
Traxxas cannot be held responsible for typographical or other errors.

# Front Assembly



# TRAXXAS



See Parts List for a complete listing of optional accessories.

## Rear Assembly

# STAMPEDE

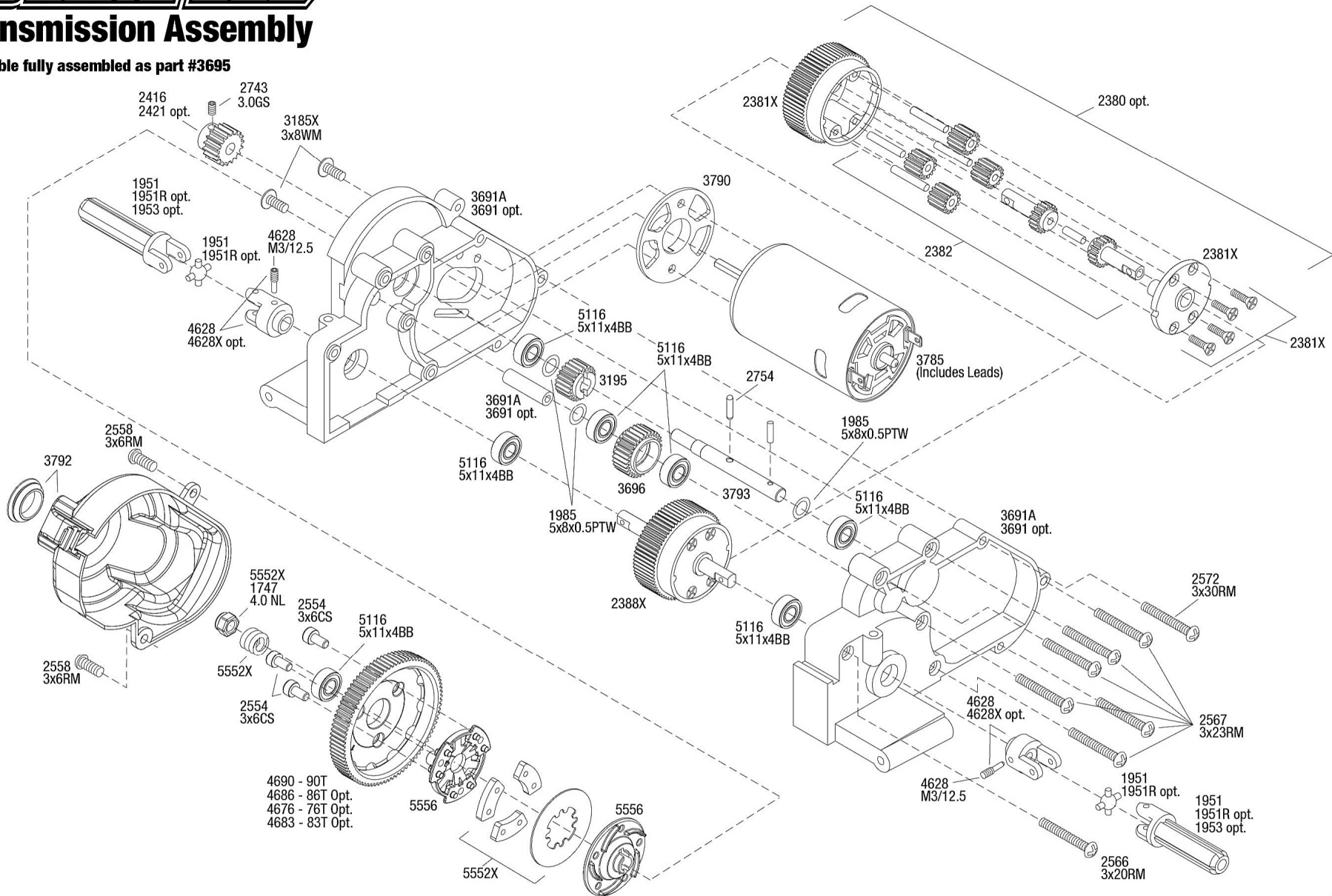
Specifications on this page are subject to change without notice. Every attempt has been made to ensure the accuracy of this drawing; however, Traxxas cannot be held responsible for typographical or other errors.

REV 210415-R02

# STAMPEDE

## Transmission Assembly

Available fully assembled as part #3695



See Parts List for a complete listing of optional accessories.

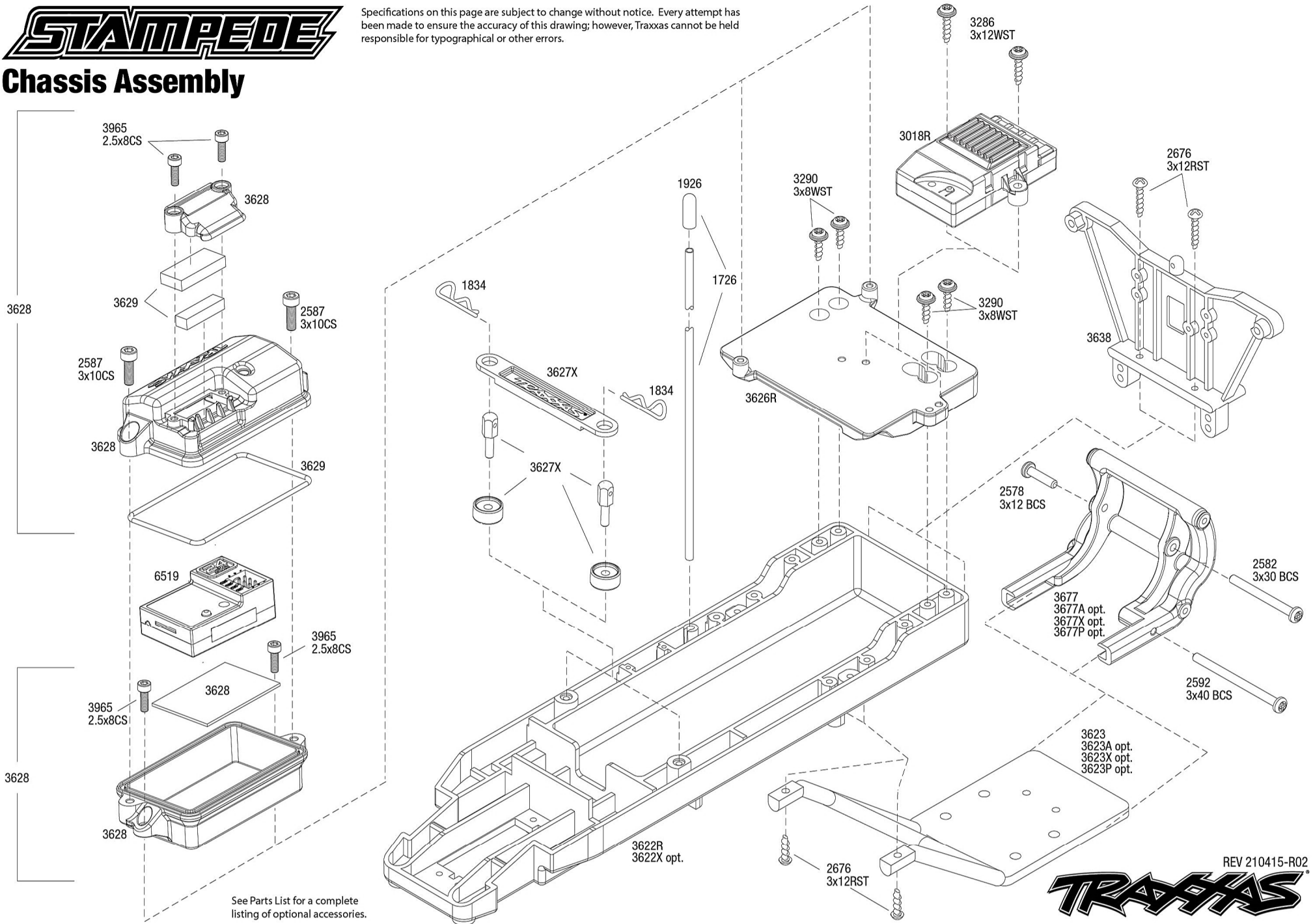
Specifications on this page are subject to change without notice. Every attempt has been made to ensure the accuracy of this drawing; however, Traxxas cannot be held responsible for typographical or other errors.

REV 210415-R02  
**TRAXXAS**



# Chassis Assembly

Specifications on this page are subject to change without notice. Every attempt has been made to ensure the accuracy of this drawing; however, Traxxas cannot be held responsible for typographical or other errors.



REV 210415-R02

