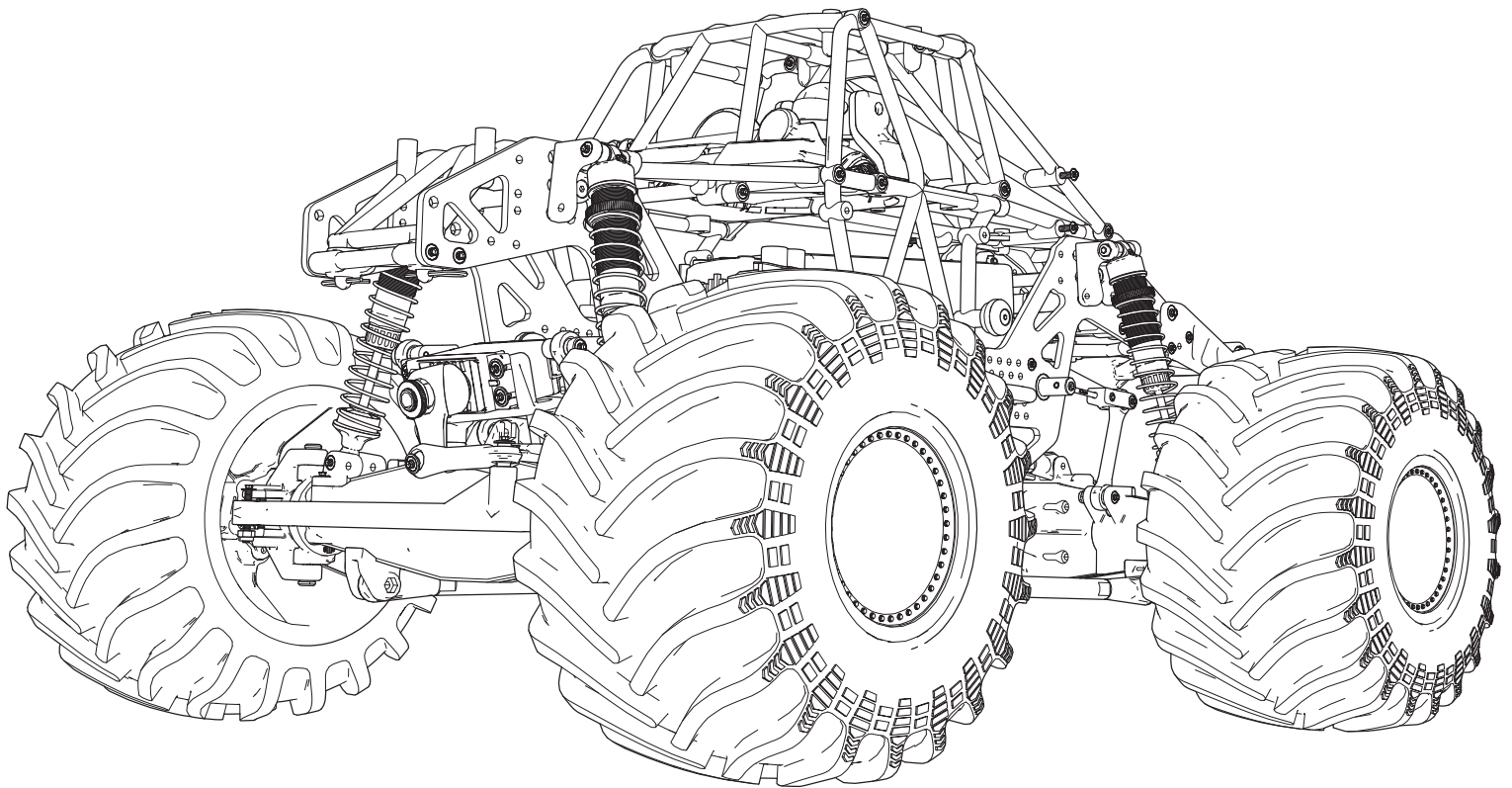




**LMT SOLID AXLE 4WD MONSTER TRUCK  
ROLLER, NO ELECTRONICS INCLUDED**



**INSTRUCTION MANUAL  
BEDIENUNGSANLEITUNG  
MANUEL D'UTILISATION  
MANUALE DI ISTRUZIONI**



Before operating this vehicle, please read all printed materials thoroughly.  
Horizon Hobby is not responsible for inadvertent errors in this manual.

## NOTICE

All instructions, warranties and other collateral documents are subject to change at the sole discretion of Horizon Hobby, LLC. For up-to-date product literature, visit [www.horizonhobby.com](http://www.horizonhobby.com) or [www.towerhobbies.com](http://www.towerhobbies.com) and click on the support or resources tab for this product.

### MEANING OF SPECIAL LANGUAGE

The following terms are used throughout the product literature to indicate various levels of potential harm when operating this product:

**WARNING:** Procedures, which if not properly followed, create the probability of property damage, collateral damage, and serious injury OR create a high probability of superficial injury.

**CAUTION:** Procedures, which if not properly followed, create the probability of physical property damage AND a possibility of serious injury.

**NOTICE:** Procedures, which if not properly followed, create a possibility of physical property damage AND a little or no possibility of injury.

**WARNING:** Read the ENTIRE instruction manual to become familiar with the features of the product before operating. Failure to operate the product correctly can result in damage to the product, personal property and cause serious injury.

This is a sophisticated hobby product. It must be operated with caution and common sense and requires some basic mechanical ability. Failure to operate this Product in a safe and responsible manner could result in injury or damage to the product or other property. This product is not intended for use by children without direct adult supervision. Do not use with incompatible components or alter this product in any way outside of the instructions provided by Horizon Hobby, LLC. This manual contains instructions for safety, operation and maintenance. It is essential to read and follow all the instructions and warnings in the manual, prior to assembly, setup or use, in order to operate correctly and avoid damage or serious injury.

**WARNING AGAINST COUNTERFEIT PRODUCTS** Always purchase from a Horizon Hobby, LLC authorized dealer to ensure authentic high-quality Spektrum product. Horizon Hobby, LLC disclaims all support and warranty with regards, but not limited to, compatibility and performance of counterfeit products or products claiming compatibility with DSM or Spektrum technology.

**Age Recommendation: Not for children under 14 years. This is not a toy.**

### SAFETY PRECAUTIONS AND WARNINGS

As the user of this product, you are solely responsible for operating in a manner that does not endanger yourself and others or result in damage to the product or property of others.

This model is controlled by a radio signal subject to interference from many sources outside your control. This interference can cause momentary loss of control, so it is advisable to always keep a safe distance in all directions around your model as this margin will help avoid collisions or injury.

- Never operate your model with low transmitter batteries.
- Always operate your model in open spaces away from full-size vehicles, traffic and people.
- Never operate the model in the street or in populated areas for any reason.
- Carefully follow the directions and warnings for this and any optional support equipment (chargers, rechargeable battery packs, etc.) you use.
- Keep all chemicals, small parts and anything electrical out of the reach of children.

- Never lick or place any portion of the model in your mouth as it could cause serious injury or even death.
- Exercise caution when using tools and sharp instruments.
- Take care during maintenance as some parts may have sharp edges.
- Immediately after using your model, do NOT touch equipment such as the motor, electronic speed control and battery, because they generate high temperatures. You may burn yourself seriously touching them.
- Do not put fingers or any objects inside rotating and moving parts, as this may cause damage or serious injury.
- Always turn on your transmitter before you turn on the receiver in the car. Always turn off the receiver before turning your transmitter off.
- Keep the wheels of the model off the ground when checking the operation of the radio equipment.

## TABLE OF CONTENTS

BOX CONTENTS .....	3
INCLUDED .....	3
REQUIRED COMPONENTS .....	3
RECOMMENDED COMPONENTS - PART NUMBER .....	3
QUICK START .....	3
INSTALL THE MOTOR .....	3
INSTALL THE STEERING SERVO AND ESC .....	3
REQUIRED TOOLS .....	3
INSTALL THE RECEIVER .....	4
INSTALL THE WHEELS .....	4
CONTROL DIRECTION TEST .....	4
DRIVING PRECAUTIONS .....	4
BEFORE RUNNING YOUR VEHICLE .....	4
RUN TIME .....	4
TO IMPROVE RUN TIMES .....	4
VEHICLE MAINTENANCE .....	5
SHOCK DISASSEMBLY/CLEANING .....	5
REFILLING/BLEEDING SHOCKS .....	5
DIFFERENTIALS .....	6
CHASSIS .....	8
CENTER DIFFERENTIAL .....	9
REPLACEMENT PARTS .....	10
RECOMMENDED PARTS .....	11
OPTIONAL PARTS .....	12
TROUBLESHOOTING GUIDE .....	13
LIMITED WARRANTY .....	13
WARRANTY AND SERVICE CONTACT INFORMATION .....	14
COMPLIANCE INFORMATION FOR THE EUROPEAN UNION .....	14



## BOX CONTENTS

INCLUDED	REQUIRED COMPONENTS	RECOMMENDED COMPONENTS - PART NUMBER	
Losi® LMT Solid Axle Monster Truck Roller (LOS04022)	2+ Channel Radio Control System	Spektrum DX5C DSMR 5CH TX Only, SR315 Receiver	SPM5115, SPM5SR315
	High Torque Steering Servo	Spektrum S6280	SPMSS6280
	ESC	Spektrum Firma 130 Amp Smart ESC	SPMXSE1130
	Motor	Spektrum Firma 3150 Kv Brushless motor	SPMXSM1000
	Pinion (14T included)	Mod 1 12T – 16T	See parts list
	2S – 3S Hardcase LiPo Battery	50C or Higher Spektrum 2S – 3S Smart Hardcase LiPo with IC5	SPMX50002S50H5 – SPMX50003S50H5
	Charger	Spektrum S2100 Dual Port Smart Charger and IC5 adaptor	SPMXC1010 and SPMXCA508

## QUICK START

Please read the entire manual to gain a full understanding of the LMT vehicle. The LMT comes assembled without electronics, use this manual to guide you through the electronics installation, fine-tuning the setup and maintenance.

1. Read the safety precautions found in this manual.
2. Install the motor, receiver, ESC and steering servo.\*
3. Connect the steering drag link to the servo saver.
4. Route the servo and ESC wires and connect them to the receiver.
5. Charge a battery\* for the vehicle. Refer to your charger\* manual for important charging warnings and instructions for battery charging.
6. Install the fully charged battery in the vehicle.
7. Bind the receiver to your transmitter. Verify the controls are centered.
8. Mount the servo saver to the servo with steering centered.
9. Adjust your servo direction and travel as needed in your transmitter.
10. Calibrate your ESC.
11. Install the cover over the receiver.
12. Check the steering and throttle control directions. Reverse the servo in your transmitter if the steering is reversed. Reverse the motor with the wire connections or ESC settings if the throttle is backward.
13. Install the wheels.
14. Drive your vehicle.
15. Disconnect the battery when done driving.

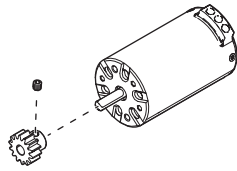
\* Electronics not included

### REQUIRED TOOLS

- 1.5mm Hex Driver
- 2.0mm Hex Driver
- 2.5mm Hex Driver
- 5.5mm Nut Driver
- 8.0mm Nut Driver

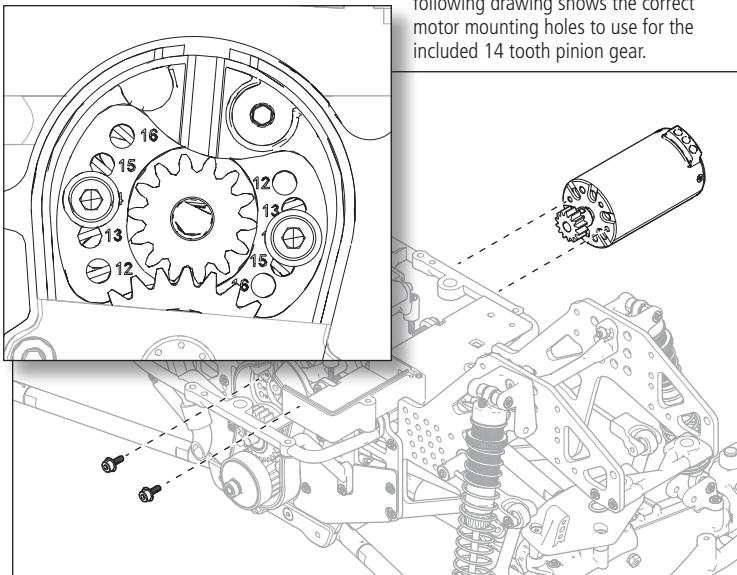
## INSTALL THE MOTOR

1. Install the pinion gear on your motor. Place the pinion on the end of the motor shaft so the set screw is located over the flat on the shaft.
2. Position it so the teeth line up with the spur gear and secure the pinion by tightening the set screw.
3. Install your motor. There is a pair of mounting holes for each pinion gear size, be sure to select the mounting position that matches your pinion gear selection.

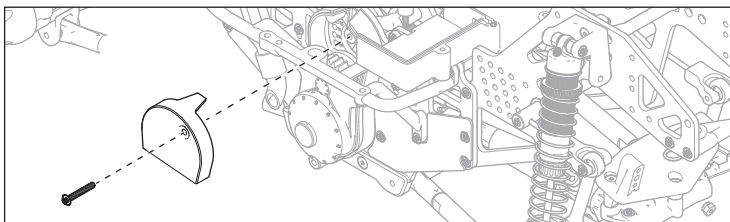


**CAUTION:** It is important you select the correct motor mounting holes for your pinion gear selection. The gear mesh is pre-set with each pair of motor mounting holes corresponding to the pinion gear. Selecting the wrong mounting holes is likely to cause damage to the spur gear on your LMT when you attempt to apply power.

Refer to your motor manual for more information. If you select an optional 15 or 16 tooth pinion gear, the motor will have to be installed first, and then the pinion gear. The following drawing shows the correct motor mounting holes to use for the included 14 tooth pinion gear.

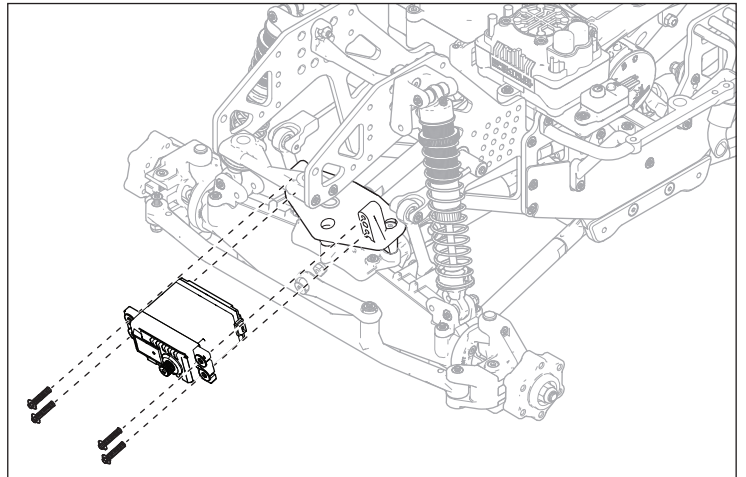


4. Install the gearbox cover.

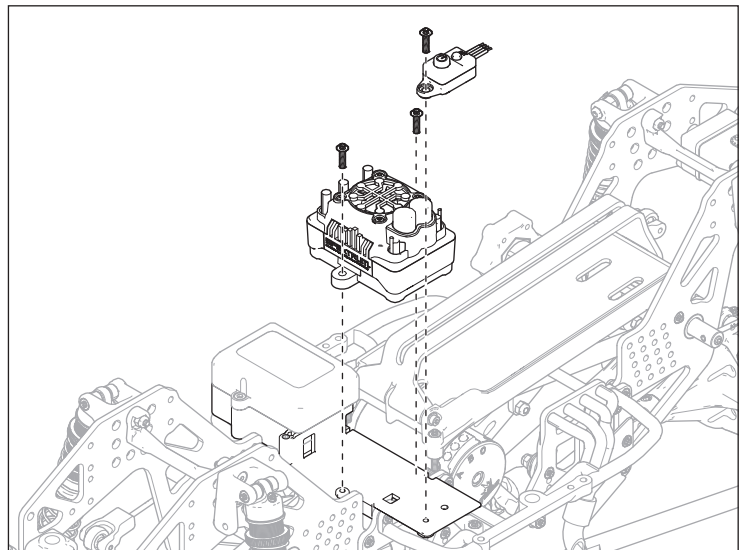


## INSTALL THE STEERING SERVO AND ESC

1. Install your servo using the included servo mounting screws. Ensure the servo is securely mounted to the servo mount. Don't connect the servo saver at this time.
2. Run the servo wire into the receiver box.

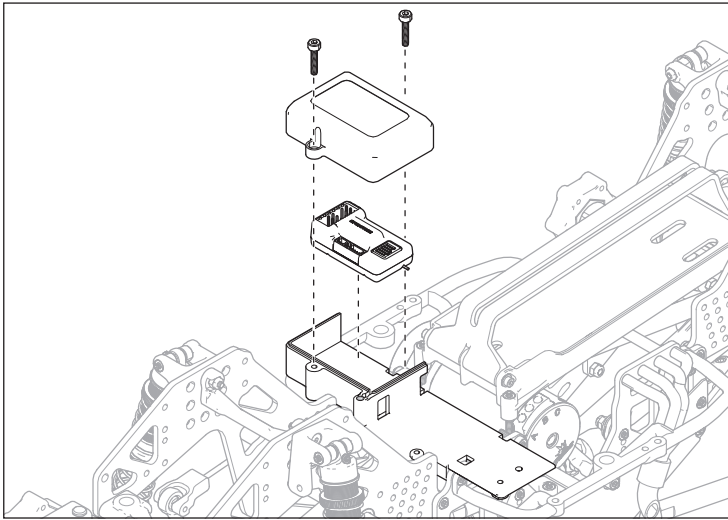


1. Install your ESC. Connect the motor wires to the ESC. Refer to your ESC manual for more information.
2. Run the throttle lead to the receiver box.
3. If you plan to power any auxiliary options such as lights, run the leads into the receiver box.

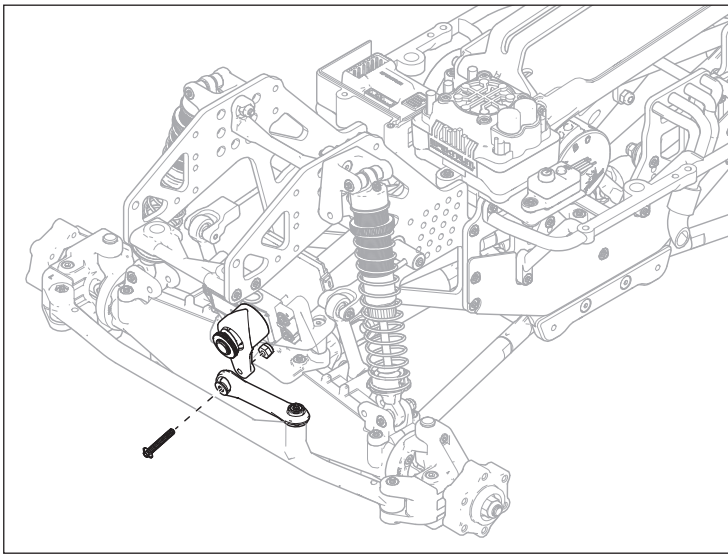


## INSTALL THE RECEIVER

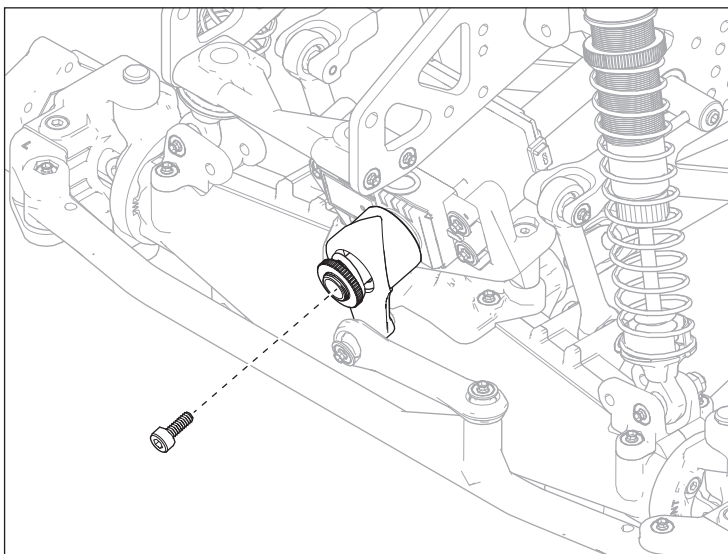
1. Install your receiver with double sided tape or hook and loop material.



2. Insert the servo and ESC connectors in the appropriate ports on the receiver.
3. Connect the steering drag link to the servo saver (not connected to the servo yet).



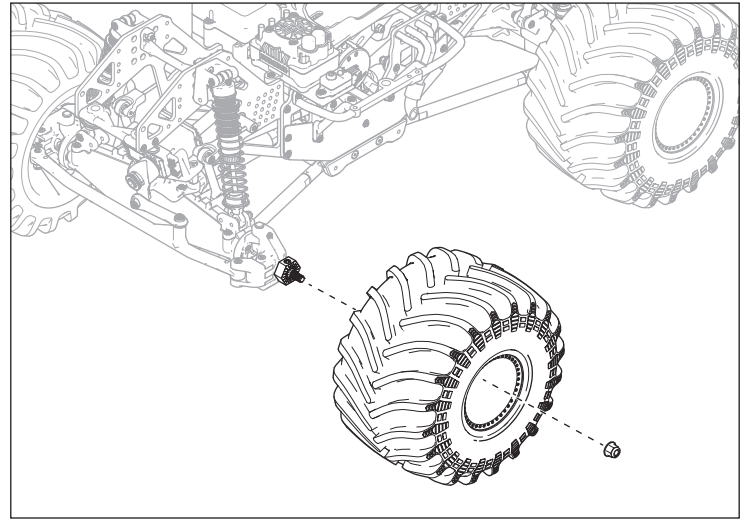
4. Verify the steering servo is centered and traveling in the correct direction.
5. With the steering linkage centered, connect the servo saver to the servo and install the screw that was included with your servo.



6. Check the steering direction, travel, and fine tune the center point with your transmitter settings. See your transmitter manual for more information.

## INSTALL THE WHEELS

Use the included hardware to mount the wheels to the vehicle.



## CONTROL DIRECTION TEST

Place the vehicle on a stand supporting the chassis so the wheels are off the ground during the steering and throttle tests. Verify all the controls work correctly before turning it on with the wheels on the ground.

1. Move the steering left to right and observe the response at the wheels. If the wheels are moving backward to your command, reverse the steering control in your transmitter.
2. Apply a small amount of throttle and observe how the wheels respond. If the wheels turn backward with forward throttle, either change the motor wiring to reverse the motor, or change the settings in the ESC. Refer to your ESC manual for more details.

## DRIVING PRECAUTIONS

- Maintain sight of the vehicle at all times.
- Routinely inspect the vehicle for loose wheel hardware.
- Routinely inspect the steering assembly for any loose hardware. Driving the vehicle off-road can cause fasteners to loosen over time.
- Do not drive the vehicle in tall grass. Doing so can damage the vehicle or electronics.

**CAUTION:** Do not discharge a Li-Po battery below 3V per cell. Batteries discharged to a voltage lower than the lowest approved voltage may become damaged, resulting in loss of performance and potential fire when batteries are charged.

- Do not apply forward or reverse throttle if the vehicle is stuck. Applying throttle in this instance can damage the motor or ESC.
- After driving the vehicle, allow the electronics to cool before driving the vehicle again.

**IMPORTANT:** Keep wires away from all moving parts.

## BEFORE RUNNING YOUR VEHICLE

1. Check for free suspension movement. All suspension parts and steering components should move freely. Any binds will cause the vehicle to handle poorly.
2. Check that all servo lead wires and extensions are safely secured and clear from any moving or rotating parts.
3. Charge a battery pack. Always charge the battery pack as per the battery and/or charger manufacturers' instructions.
4. Perform a Control Direction Test.
5. Drive the vehicle at a slow speed and set the steering trim on the transmitter so the vehicle drives straight with no input to the steering.

## RUN TIME

The largest factor in run time is the capacity of the battery pack. A larger capacity (mAh) rating increases the amount of run time experienced.

The condition of a battery pack is also an important factor in both run time and speed. The battery connectors may become hot during driving. Batteries will lose performance and capacity over time.

Driving the vehicle from a stop to full speed repeatedly will damage the batteries and electronics over time. Sudden acceleration will also lead to shorter run times.

## TO IMPROVE RUN TIMES

- Keep your vehicle clean and well maintained.
- Provide more airflow to the ESC and motor.
- Change the gearing to a lower ratio. A lower ratio decreases the operating temperature of the electronics. Use a smaller pinion gear to lower the gear ratio.
- Use a battery pack with a higher mAh rating.
- Use the optimum charger to charge battery packs (Visit your local hobby dealer for more information).
- Cycle your batteries on a charger with a mAh display to verify they are delivering the rated capacity. Replace them if they fall short.



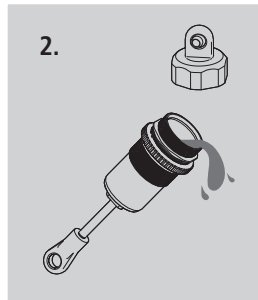
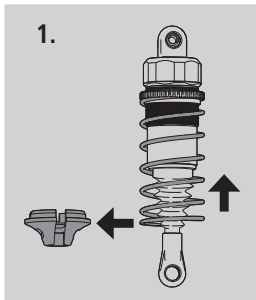
# VEHICLE MAINTENANCE

The following items require semi-frequent maintenance. Always clean screw threads and apply removable thread locking compound when threading machine screws into metal parts.

## SHOCK DISASSEMBLY/CLEANING

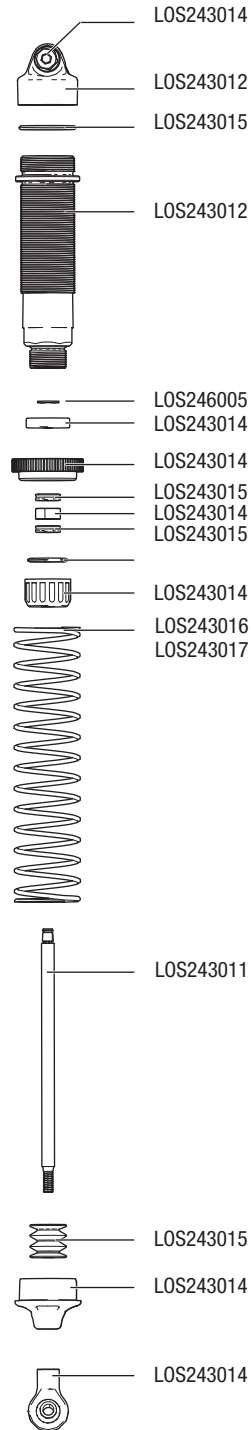
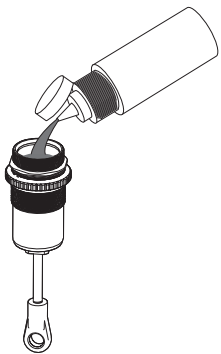
Remove the shocks and service as needed. Replace worn parts.

1. Pull the spring up and away from the lower cup. Slide the lower spring cup up and off of the shaft. Clean with a soft brush. Remove the shock boot.
2. Use the wheel wrench to hold the shock body and remove the top cap. Empty the fluid from out of the shock.
3. Hold the shaft with a multi-wrench and remove the shock end. Push the shaft into the shock body and remove through the top. Remove the lower shock cap, dust cover, O-rings and spacer. Clean the shock body. Install new O-rings, re-install the spacer, replace the O-ring and install the lower shock cap. **DO NOT TIGHTEN**. Install the shock shaft through the shock bottom and tighten the bottom cap. Re-install the boot and shock end on the shaft.



## REFILLING/BLEEDING SHOCKS

1. Fill the shock body 5mm (0.2 in) from the top with 25wt silicone shock oil (TLR74004 2oz, TLR74022 4oz).
2. Slowly move the piston up and down 5 times, allowing air to rise to the top. Let the shock sit for 5 minutes.
3. With the piston all the way down, fill the shock body 1mm (0.04 in) from the top. Replace the shock cap, spring and spring cup.



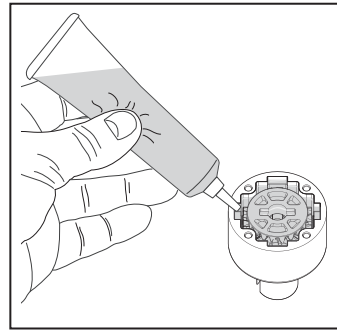
Stock Shock oil F/R: 25wt  
Piston F/R: 4x1.8mm



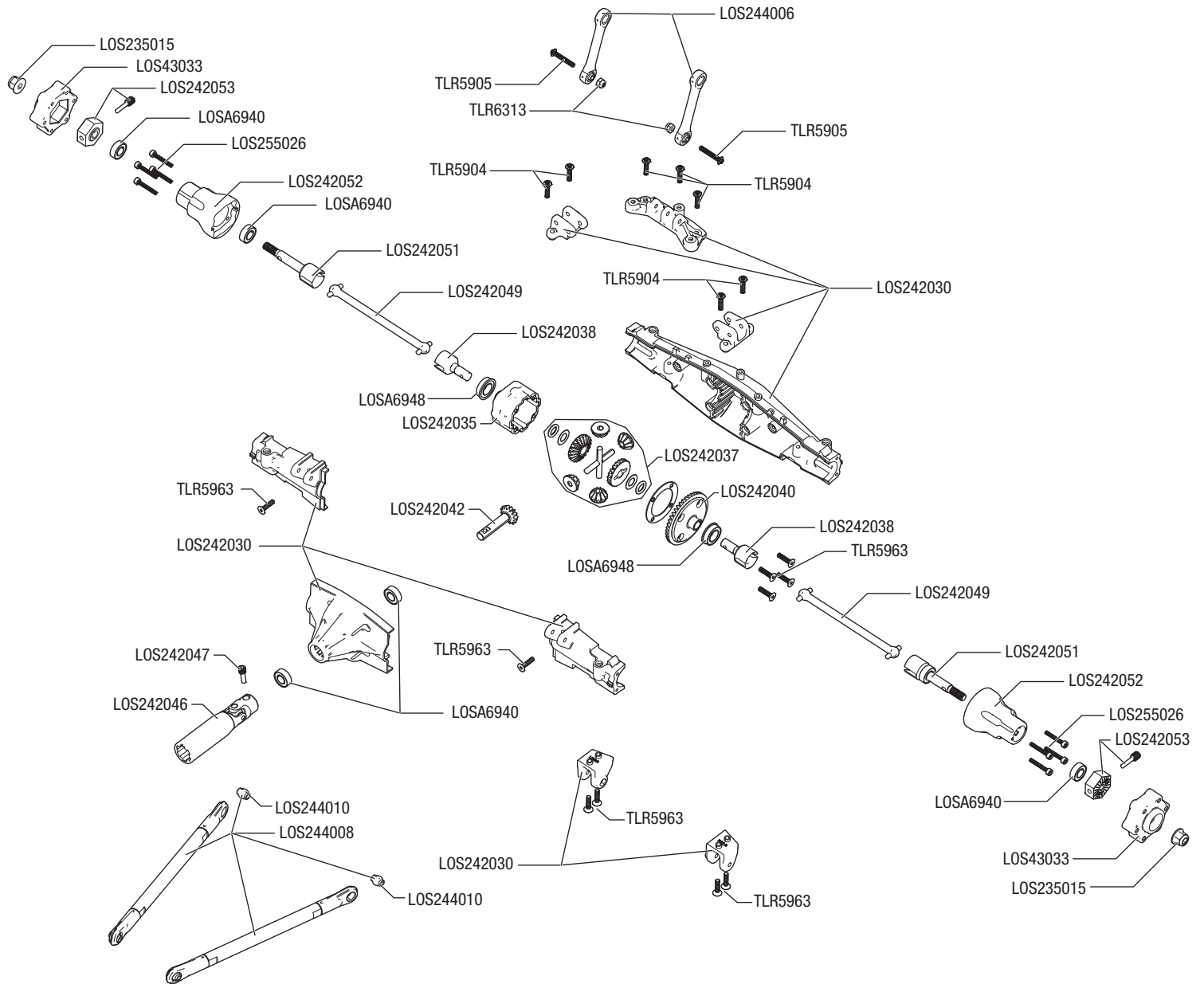


# REAR DIFFERENTIAL

1. To remove the rear differential, start by removing the upper 4-link mount bolt.
2. Remove the Sway Bar Links and Shocks from the Axle.
3. Remove the lower 4-link bars from the axle housing.
4. The axle housing is now free. Remove the third member and pinion gear from the axle mount.
5. Remove one side of the axle housing with the axle and dogbone. This will provide enough clearance to remove the rear differential.
6. Check the ring and pinion as well as the bevel gears in the differential. Replace as needed. If fluid is leaking, replace the outdrive o-rings and ring gear gasket. Be sure to grease the outdrives prior to sliding them through the o-rings. Apply more grease to the ring and pinion (LOSA99209).
7. Check the differential fluid and refill or replace as needed with TLR75004 (100k) fluid. The fluid level should be about 0.12 in (3.0mm) from the top surface of the case. Do not overfill or the differential unit might leak.



Rear Differential Fluid : 100,000

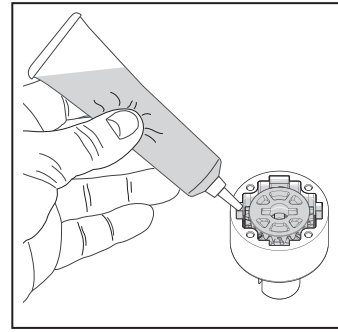




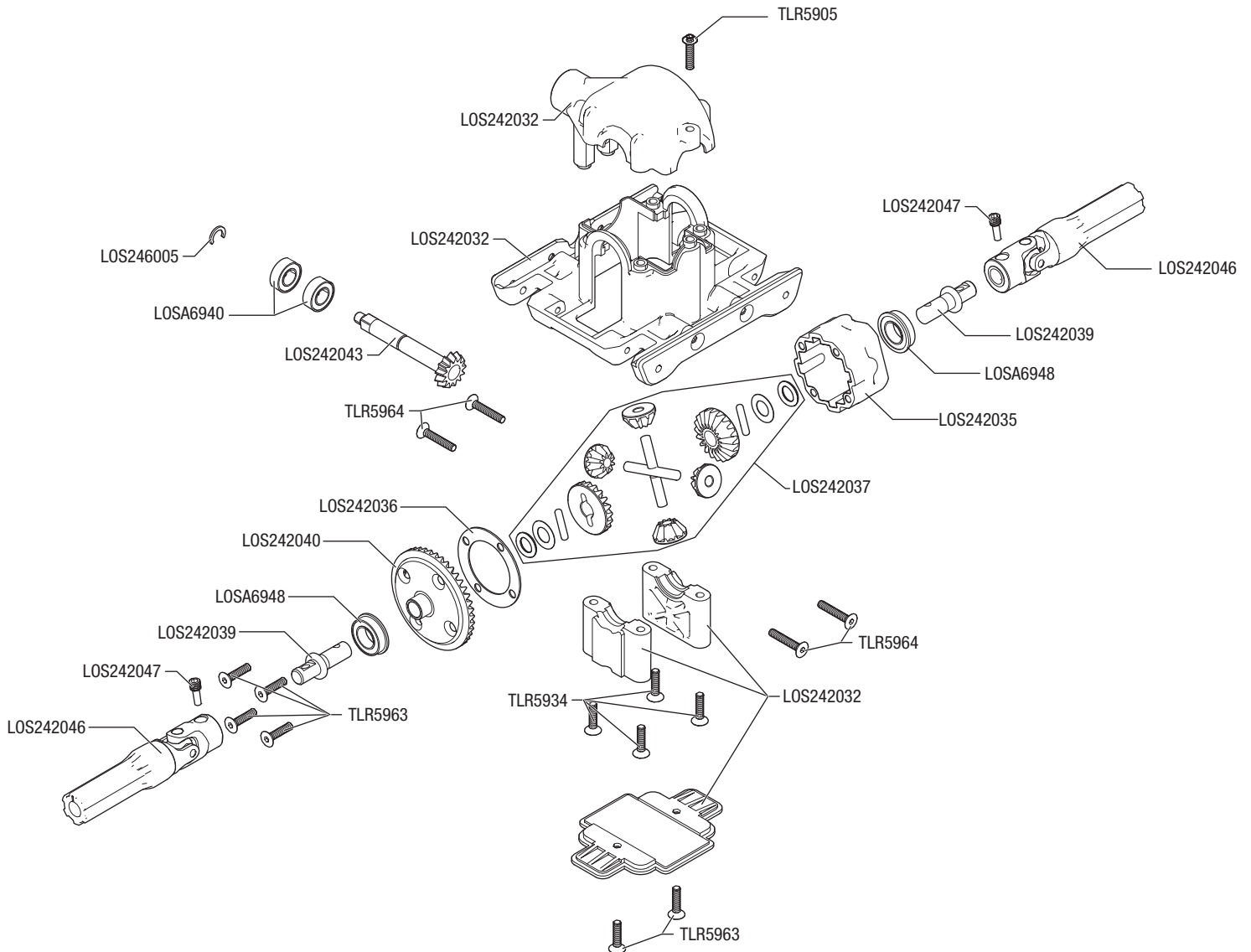


## CENTER DIFFERENTIAL

1. To remove the center differential from the vehicle, remove the two screws in the center cover to expose the center differential.
2. Remove the four screws holding the diff support blocks, and remove the diff support blocks.
3. Remove the two screwpins holding the front and rear drivelines, and remove the center halves of the driveline. This will provide enough clearance to remove the differential out of the bottom of the vehicle.
4. Check the ring and pinion as well as the bevel gears in the differential. Replace as needed. If fluid is leaking, replace the outdrive o-rings and ring gear gasket. Be sure to grease the outdrives prior to sliding them through the o-rings.. Apply more grease to the ring and pinion (LOSA99209).
5. Check the differential fluid and refill or replace as needed with TLR75009 (500k) fluid. The fluid level should be about 0.12 in (3.0mm) from the top surface of the case. Do not overfill or the differential unit might leak.



Center Differential Fluid : 500,000



## REPLACEMENT PARTS

SKU	English
LOS235002	Cap Head Screws M2.5x10mm(10)
LOS235012	Set Screws M4x4mm Cup Point(10)
LOS235015	Locknut Flanged M5 Serrated (10)
LOS235024	Button Head Screws M3x25mm (10)
LOS235025	Button Head Screws M3x30mm (10)
LOS236001	3.2mm x 7mm x .5mm Washer(10)
LOS240016	Body Buttons,Top&Bottom(10):LMT
LOS241028	Safety Seat Set: LMT
LOS241030	Steering Linkage Set: LMT
LOS241031	ServoSaverSet, Complete,23T:LMT
LOS241032	Cross Brace Set, Chassis: LMT
LOS241033	Battery & Radio Tray Set: LMT
LOS241034	Chassis Side Plate Set: LMT
LOS241035	4n1 CollectiveHeaders,Silver:LMT
LOS241036	Steering Servo Mount Plate: LMT
LOS241038	Cage Set, Complete, Black: LMT
LOS241040	Side Cage & Lower Bar, Black:LM
LOS241042	Top & Upper Cage Bars, Black:LMT
LOS241044	Rear Cage & Hoop Bars, Black:LMT
LOS241050	RrBodySupport&BodyPost,Black:LMT
LOS241052	Wheelie Bar Set, Black: LMT
LOS242029	Wheel Hex Screw Pin (10): LMT
LOS242030	AxleHousingSetComplete,Rear: LMT
LOS242031	AxleHousingSetComplete,Front:LMT
LOS242032	Gearbox Housing Set w/covers:LMT
LOS242033	Complete Diff Front or Rear: LMT
LOS242034	Complete Diff Center: LMT
LOS242035	Diff Housing Set (1): LMT
LOS242036	Diff O-rings & Gaskets (3): LMT
LOS242037	Internal Diff Rebuild Kit(1):LMT
LOS242038	F/R Diff Outdrive Set (2): LMT
LOS242039	Center Diff Output Shafts(2):LMT
LOS242040	F/R Diff Ring Gear: LMT
LOS242041	Diff Spool: LMT
LOS242042	Diff Pinion, 13T (1): LMT
LOS242043	13T Cntr Trans Pinion Gear: LMT
LOS242044	Idle & Cush Drive Gear Set: LMT
LOS242045	CushDriveRubberDamper,Med(2):LMT
LOS242046	Cntr Slider Driveshaft (1): LMT
LOS242047	Cntr Driveshaft Screwpin(10):LMT
LOS242048	Fr Universal Driveshaft (2): LMT
LOS242049	Dogbones, Rear (2): LMT
LOS242051	Stub Axle, Rear (2): LMT
LOS242052	Rr Axle Mount set, 0 & 3 Deg:LMT
LOS242053	17mm Hex Adapter w/pin (4): LMT
LOS242054	Pinion Gear, 14T, 1.0M. 5mm shaft
LOS243011	Shock Shaft, F/R (2): LMT
LOS243012	Shock Body and Cap, Al (2): LMT
LOS243013	Shock Set Complete (2): LMT
LOS243014	Shock Plastics & Balls (4): LMT
LOS243015	Shock Rebuild/HardwareSet(4):LMT
LOS243016	Spring,Soft,Yel,1.1rate(4):LMT
LOS243017	Spring,Soft,Blue,1.6rate(4):LMT
LOS243018	Spring,Soft,Red,2.2rate(4):LMT
LOS244003	Spindle Carrier Set (L/R): LMT
LOS244004	Spindle Set Front (L/R): LMT
LOS244005	Kingpin, Front (4): LMT
LOS244006	Sway Bar Set (F/R): LMT
LOS244007	Upper Shock Mount Set (4): LMT
LOS244008	Lower 4-link Bar Set (4): LMT
LOS244009	Upper 4-link bar set (4): LMT
LOS244010	7mm DoubleBossPivotBalls(10):LMT
LOS244011	RodEnds, Sway & DragLinks: LMT
LOS246003	Body Clips, Black, Small(10):LMT
LOS246004	Diff Shim, M8x13x0.4mm (10): LMT
LOS246005	E-Clip & C-Clip Hardware(20):LMT
LOS257007	4 x 8 x 3mm Ball Bearing (4)
LOS43031	Monster Truck Tire, L/R: LMT



## REPLACEMENT PARTS

SKU	English
LOS43032	Foam Tire Insert, MT (2): LMT
LOS43033	MT Wheel, Silver (2): LMT
LOS43034	Mounted Monster Truck Tires, L/R: LMT
LOSA6940	6x12x4mm Sealed Ball Bearing (4)
LOSA6948	8x14x4 Flanged Rubber Seal BB (4)
LOSA6955	5x13x4mm HD Clutch Bearings(2):8B/8T
TLR235005	Flat Head Screws, M3 x 18mm (10)
TLR235007	Flat Head Screw M2.5 x 10mm (10)
TLR235015	Button Head Screws M3 x 4mm (10)
TLR245012	Button Head Screws, M2.5x4mm(10)
TLR255002	Button Head Screws, M2.5x10mm (10)
TLR255003	Cap Head Screws, M2.5x6mm (10)
TLR255015	Set screw, Cup Point, M4x5mm (10)
TLR5902	Button Hd Screws, M3 x 8mm (10)
TLR5903	Button Hd Screws, M3 x 10mm (10)
TLR5904	Button Hd Screws, M3 x 12mm (10)
TLR5905	Button Hd Screws, M3 x 18mm (10)
TLR5906	Button Hd Screws, M3 x 35mm (10)
TLR5909	Button Head Screws, M3x16mm(10)
TLR5910	Button Head Screws M3 x 14mm(10)
TLR5911	Button Head Screws, M3 x 20mm(10)
TLR5930	Cap Head Screws, M3 x 8mm (10)
TLR5932	Cap Head Screws, M3 x 10mm (10)
TLR5934	Cap Head Screws, M3 x 16mm (10)
TLR5963	Flathead Screw, M3 x 12mm (10)
TLR5963	Flathead Screw, M3 x 12mm (10)
TLR5964	Flathead Screw, M3 x 16mm (10)
TLR5965	Flathead Screw, M3 x 20mm (10)
TLR6313	Locknut, M3 x .5 x 5.5mm (10)

## RECOMMENDED PARTS

Part #	English
DYNT2010	Machined Nut Driver Set (4) Metric
DYNT2030	Machined Hex Driver Set (4) Met
SPM5010	DX5 Pro DSMR Tx w/SR2100
SPM5115	DX5C DSMR 5ch TX only
SPMR2340	DX3 3-ch DSMR SMART Transmitter
SPMXSE1130	Firma 130A Brushless Smart ESC
SPMXSM1000	Firma 3150Kv Brushless Motor
LOS240018	Body Set, Clear, SonUva Digger: LMT
LOS240017	Body Set, Painted, SonUva Digger: LMT
LOS240013	Body Set, Painted, Grave Digger: LMT
LOS240014	Body Set, Grave Digger Clear LMT
LOS240015	Fr Headlight Set, Grave Digger: LMT
LOS240019	LED Lights & Grill, SonUva Digger: LMT
SPMXC1010	Spektrum S2100 SMART Charger*
SPMXC1070	Smart S150 AC/DC Charger, 1x50W*
SPMX50003S50H5	5000mAh 3S 11.1V50C SmartLiPo IC5
SPMX50002S50H5	5000mAh 2S 7.4V 50C SmartLiPo IC5
SPMX50003S100H5	5000mAh 3S 11.1V100C SmartLiPo IC5
SPMX50002S100H5	5000mAh 2S 7.4V100C SmartLiPo IC5
SPMXCA507	IC3 Batt to IC5 Device 4"

\* SPMXCA507 required to charge batteries with IC5 connectors on the S2100 and S150 Chargers

## OPTIONAL PARTS

Part #	English
LOS241027	Cage Set, Complete, Green: LMT
LOS241037	Servo Saver Set, 25T, Complete: LMT
LOS241039	Side Cage and Lower Bar, Green: LMT
LOS241041	Top and Upper Cage Bars, Green: LMT
LOS241043	Rear Cage and Hoop Bars, Green: LMT
LOS241046	Cage Set Complete, Blue: LMT
LOS241047	Side Cage and Lower Bar, Blue: LMT
LOS241048	Top and Upper Cage Bars, Blue: LMT
LOS241049	Rear Cage and Hoop Bars, Blue: LMT
LOS343200	12mm Machined Wheel Hex (4): LMT
LOS343201	12mm Wheel Hex Screw Pin (10): LMT
TLR5285	Silicone Diff Fluid, 30,000CS
TLR5286	Silicone Diff Fluid, 50,000CS
TLR5288	Silicone Diff Fluid, 125,000CS
TLR74000	SIL SHOCK OIL,15WT,104CST,2OZ
TLR74001	SIL SHOCK OIL,17.5WT,150CST,2OZ
TLR74002	SIL SHOCK OIL,20WT,195CST,2OZ
TLR74003	SIL SHOCK OIL,22.5WT,223CST,2OZ
TLR74004	SIL SHOCK OIL,25WT,250CST,2OZ
TLR74005	SIL SHOCK OIL,27.5WT,294CST,2OZ
TLR74006	SIL SHOCK OIL,30WT,338CST,2OZ
TLR74007	SIL SHOCK OIL,32.5WT,379CST,2OZ
TLR74008	SIL SHOCK OIL,35WT,420CST,2OZ
TLR74009	SIL SHOCK OIL,37.5WT,468CST,2OZ
TLR74010	SIL SHOCK OIL,40WT,516CST,2OZ
TLR74011	SIL SHOCK OIL,42.5WT,563CST,2OZ
TLR74012	SIL SHOCK OIL,45WT,610CST,2OZ
TLR74013	SIL SHOCK OIL,50WT,710CST,2OZ
TLR74014	SIL SHOCK OIL,60WT,810CST,2OZ
TLR74015	SIL SHOCK OIL,70WT,910CST,2OZ
TLR74016	SIL SHOCK OIL,80WT,1014CST,2OZ
TLR74017	SIL SHOCK OIL,90WT,1130CST,2OZ
TLR74018	SIL SHOCK OIL,100WT,1325CST,2OZ
TLR75001	Silicone Diff Fluid, 40,000CS
TLR75002	Silicone Diff Fluid, 60,000CS
TLR75003	Silicone Diff Fluid, 80,000CS
TLR75004	Silicone Diff Fluid, 100,000CS
TLR75008	Silicon Diff Fluid, 200,000
TLR75009	Silicon Diff Fluid, 500,000



## TROUBLESHOOTING GUIDE

PROBLEM	POSSIBLE CAUSE	SOLUTION
Vehicle does not operate	Battery not charged or plugged in	Charge battery/plug in
	ESC switch not "On"	Turn on ESC switch
	Transmitter not "On" or low battery	Turn on/replace batteries
Motor runs but wheels do not rotate	Pinion not meshing with spur gear	Adjust pinion/spur mesh
	Pinion spinning on motor shaft	Tighten pinion gear setscrew on motor shaft flat spot
	Transmission gears stripped	Replace transmission gears
	Drive pin broken	Check and replace drive pin
Steering does not work	Servo plug not in receiver properly	Make sure the steering servo plug is connected to the receiver steering channel, noting proper polarity
	Servo gears or motor damaged	Replace or repair servo
Will not turn one direction	Servo gears damaged	Replace or repair servo
Motor does not run	Motor wire solder joint is damaged	Resolder the motor wire with the proper equipment
	Motor wire broken	Repair or replace as needed
	ESC damaged	Contact Horizon Hobby Product Support
ESC gets hot	Motor over-gear	Use smaller pinion or larger spur gear
	Driveline bound up	Check wheels and transmission for binding
Poor run time and/or sluggish acceleration	Battery pack not fully charged	Recharge battery
	Charger not allowing full charge	Try another charger
	Driveline bound up	Check wheels, transmission for binding
Poor range and/or glitching	Transmitter batteries low	Check and replace
	Vehicle battery low	Recharge battery
	Loose plugs or wires	Check all wire connections and plugs

## LIMITED WARRANTY

### What this Warranty Covers

Horizon Hobby, LLC, (Horizon) warrants to the original purchaser that the product purchased (the "Product") will be free from defects in materials and workmanship for a period of 2 years from the date of purchase.

### What is Not Covered

This warranty is not transferable and does not cover (i) cosmetic damage, (ii) damage due to acts of God, accident, misuse, abuse, negligence, commercial use, or due to improper use, installation, operation or maintenance, (iii) modification of or to any part of the Product, (iv) attempted service by anyone other than a Horizon Hobby authorized service center, (v) Product not purchased from an authorized Horizon dealer, or (vi) Product not compliant with applicable technical regulations or (vii) use that violates any applicable laws, rules, or regulations. OTHER THAN THE EXPRESS WARRANTY ABOVE, HORIZON MAKES NO OTHER WARRANTY OR REPRESENTATION, AND HEREBY DISCLAIMS ANY AND ALL IMPLIED WARRANTIES, INCLUDING, WITHOUT LIMITATION, THE IMPLIED WARRANTIES OF NON-INFRINGEMENT, MERCHANTABILITY AND FITNESS FOR A PARTICULAR PURPOSE. THE PURCHASER ACKNOWLEDGES THAT THEY ALONE HAVE DETERMINED THAT THE PRODUCT WILL SUITABLY MEET THE REQUIREMENTS OF THE PURCHASER'S INTENDED USE.

### Purchaser's Remedy

Horizon's sole obligation and purchaser's sole and exclusive remedy shall be that Horizon will, at its option, either (i) service, or (ii) replace, any Product determined by Horizon to be defective. Horizon reserves the right to inspect any and all Product(s) involved in a warranty claim. Service or replacement decisions are at the sole discretion of Horizon. Proof of purchase is required for all warranty claims. SERVICE OR REPLACEMENT AS PROVIDED UNDER THIS WARRANTY IS THE PURCHASER'S SOLE AND EXCLUSIVE REMEDY.

### Limitation of Liability

HORIZON SHALL NOT BE LIABLE FOR SPECIAL, INDIRECT, INCIDENTAL OR CONSEQUENTIAL DAMAGES, LOSS OF PROFITS OR PRODUCTION OR COMMERCIAL LOSS IN ANY WAY, REGARDLESS OF WHETHER SUCH CLAIM IS BASED IN CONTRACT, WARRANTY, TORT, NEGLIGENCE, STRICT LIABILITY OR ANY OTHER THEORY OF LIABILITY, EVEN IF HORIZON HAS BEEN ADVISED OF THE POSSIBILITY OF SUCH DAMAGES. Further, in no event shall the liability of Horizon exceed the individual price of the Product on which liability is asserted. As Horizon has no control over use, setup, final assembly, modification or misuse, no liability shall be assumed nor accepted for any resulting damage or injury. By the act of use, setup or assembly, the user accepts all resulting liability. If you as the purchaser or user are not prepared to accept the liability associated with the use of the Product, purchaser is advised to return the Product immediately in new and unused condition to the place of purchase.

**Law**

These terms are governed by Illinois law (without regard to conflict of law principals). This warranty gives you specific legal rights, and you may also have other rights which vary from state to state. Horizon reserves the right to change or modify this warranty at any time without notice.

**WARRANTY SERVICES****Questions, Assistance, and Services**

Your local hobby store and/or place of purchase cannot provide warranty support or service. Once assembly, setup or use of the Product has been started, you must contact your local distributor or Horizon directly. This will enable Horizon to better answer your questions and service you in the event that you may need any assistance. For questions or assistance, please visit our website at [www.horizonhobby.com](http://www.horizonhobby.com), submit a Product Support Inquiry, or call the toll free telephone number referenced in the Warranty and Service Contact Information section to speak with a Product Support representative.

**Inspection or Services**

If this Product needs to be inspected or serviced and is compliant in the country you live and use the Product in, please use the Horizon Online Service Request submission process found on our website or call Horizon to obtain a Return Merchandise Authorization (RMA) number. Pack the Product securely using a shipping carton. Please note that original boxes may be included, but are not designed to withstand the rigors of shipping without additional protection. Ship via a carrier that provides tracking and insurance for lost or damaged parcels, as Horizon is not responsible for merchandise until it arrives and is accepted at our facility. An Online Service Request is available at [http://www.horizonhobby.com/content/service-center\\_render-service-center](http://www.horizonhobby.com/content/service-center_render-service-center). If you do not have internet access, please contact Horizon Product Support to obtain a RMA number along with instructions for submitting your product for service. When calling Horizon, you will be asked to provide your complete name, street address, email address and phone number where you can be reached during business hours. When sending product into Horizon, please include your RMA number, a list of the included items, and a brief summary of the problem. A copy of your original sales receipt must be included for warranty consideration. Be sure your name, address, and RMA number are clearly written on the outside of the shipping carton.

**NOTICE: Do not ship Li-Po batteries to Horizon. If you have any issue with a Li-Po battery, please contact the appropriate Horizon Product Support office.**

**Warranty Requirements**

**For Warranty consideration, you must include your original sales receipt verifying the proof-of-purchase date.** Provided warranty conditions have been met, your Product will be serviced or replaced free of charge. Service or replacement decisions are at the sole discretion of Horizon.

**Non-Warranty Service**

**Should your service not be covered by warranty, service will be completed and payment will be required without notification or estimate of the expense unless the expense exceeds 50% of the retail purchase cost.** By submitting the item for service you are agreeing to payment of the service without notification. Service estimates are available upon request. You must include this request with your item submitted for service. Non-warranty service estimates will be billed a minimum of ½ hour of labor. In addition you will be billed for return freight. Horizon accepts money orders and cashier's checks, as well as Visa, MasterCard, American Express, and Discover cards. By submitting any item to Horizon for service, you are agreeing to Horizon's Terms and Conditions found on our website [http://www.horizonhobby.com/content/service-center\\_render-service-center](http://www.horizonhobby.com/content/service-center_render-service-center).

**ATTENTION: Horizon service is limited to Product compliant in the country of use and ownership. If received, a non-compliant Product will not be serviced. Further, the sender will be responsible for arranging return shipment of the unserviced Product, through a carrier of the sender's choice and at the sender's expense. Horizon will hold non-compliant Product for a period of 60 days from notification, after which it will be discarded.**

10/15

**WARRANTY AND SERVICE CONTACT INFORMATION**

Country of Purchase	Horizon Hobby	Contact Information	Address
United States of America	Horizon Service Center (Repairs and Repair Requests)	<a href="http://servicecenter.horizonhobby.com/RequestForm/">servicecenter.horizonhobby.com/RequestForm/</a>	2904 Research Rd. Champaign, Illinois, 61822 USA
	Horizon Product Support (Product Technical Assistance)	<a href="mailto:productsupport@horizonhobby.com">productsupport@horizonhobby.com</a> 877-504-0233	
	Sales	<a href="mailto:websales@horizonhobby.com">websales@horizonhobby.com</a> 800-338-4639	
European Union	Horizon Technischer Service	<a href="mailto:service@horizonhobby.eu">service@horizonhobby.eu</a>	Hanskampring 9 D 22885 Barsbüttel, Germany
	Sales: Horizon Hobby GmbH	+49 (0) 4121 2655 100	

**COMPLIANCE INFORMATION FOR THE EUROPEAN UNION****EU Manufacturer of Record:**

Horizon Hobby, LLC  
2904 Research Road  
Champaign, IL 61822 USA

**EU Importer of Record:**

Horizon Hobby, GmbH  
Hanskampring 9  
22885 Barsbüttel Germany



E328



**WWW.LOSI.COM**

©2020 Horizon Hobby, LLC.

Losi, Firma, IC5, DSMR, and the Horizon Hobby logo are trademarks or registered trademarks of Horizon Hobby, LLC.

The Spektrum trademark is used with permission of Bachmann Industries, Inc.

Created 08/20

62155

LOS04022