



PANDA HOBBY

A MODEL BEYOND YOUR EXPECTATIONS

TETRA *x1*

1/18th Scale Crawler 4WD

COMPLETELY READY-TO-RUN



INSTRUCTION MANUAL



Controlable Lights



Alloy Oil Damper



Ready to Run



RADIO SYSTEM



Thank you for purchasing a Panda Hobby 1/18th 4WD Scale Crawler.
Your model is a high quality 4WD vehicle.

This manual contains the instructions you will need to operate and maintain your model so that you can enjoy it for years to come. We want you to feel confident that you own one of the best-performing models in the market and that it is backed by a team of professionals who aim to provide the highest level of factory support possible. This manual contains all the necessary setup and operating procedures that allow you to unlock the performance and potential that our engineers designed into your model. Even if you are an experienced R/C enthusiast, it's important to read and follow the procedures in this manual. Thank you for choosing Panda Hobby. We hope you enjoy your new model !

CONTENTS

SAFETY PRECAUTIONS.....	1
SUPPLIED EQUIPMENT AND REQUIRED EQUIPMENT.....	1
3-VIEW DRAWING.....	2
BOTTOM VIEW PARTS.....	3
SPECIFICATIONS.....	4
DRIVING YOUR MODEL.....	5
CHARGING INSTRUCTIONS.....	6
GETTING STARTED.....	6
TRANSMITTER CONTROLS.....	7
Maintaining Your Model.....	10
TROUBLESHOOTING.....	11
ASSEMBLY STEPS.....	13
EXPLODED VIEW.....	33
PARTS LIST.....	35

All instructions and precautions outlined in this manual should be strictly followed to ensure safe operation of your model. This model is not intended for use by children under 14 years of age without the supervision of a responsible and knowledgeable adult.

We want you to safely enjoy your new model. Operate your model sensibly and with care, and it will be exciting, safe, and fun for you and those around you. Failure to operate your model in a safe and responsible manner may result in property damage and serious injury. The precautions outlined in this manual should be strictly followed to help ensure safe operation. You alone must see that the instructions are followed and the precautions are adhered to.

Important Points to Remember

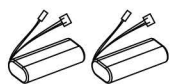
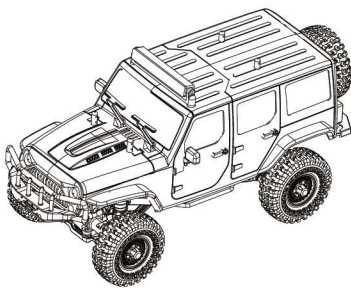
- Your model is not intended for use on public roads or congested areas where its operation can conflict with or disrupt pedestrian or vehicular traffic.
- Never, under any circumstances, operate the model in crowds of people. Your model is fast and could cause injury if allowed to collide with anyone.
- Because your model is controlled by radio, it is subject to radio interference from many sources that are beyond your control. Since radio interference can cause momentary losses of radio control, always allow a safety margin in all directions around the model in order to prevent collisions.
- The motor and battery can become hot during use. Be careful to avoid getting burnt.
- Don't operate your model at night, or anytime your line of sight to the model may be obstructed or impaired in any way.
- Most importantly, use good common sense at all times.

ESC (Speed Control)

- Disconnect the Battery: Always disconnect the battery from the model when not in use.
- Transmitter on First: Switch on your transmitter first before switching on the speed control to prevent runaways and erratic performance.
- Don't Get Burnt: The motor can become extremely hot during use, so be careful not to touch it until it is cool. Make sure there is adequate airflow to the motor.
- Use the Factory-Installed Connectors: Do not change the battery connector. Improper wiring can cause fire or damage to the ESC. Please note that modified speed controls can be subject to a rewiring fee when returned for service.
- Insulate the Wires: Always insulate exposed or damaged wiring with heat shrink tubing to prevent short circuits. More information please refer to your ESC instruction manual.

SUPPLIED EQUIPMENT AND REQUIRED EQUIPMENT

SUPPLIED EQUIPMENT



7.4V Li-ion Battery



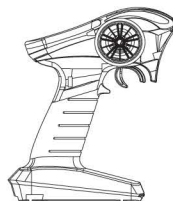
USB Charger



Body Clips



Cross wrench



2.4Ghz 3ch
Function Radio



Hex Wrench 1.5mm



4AA Alkaline
Dry Batteries



Sticker



Spring Clips thin x 4
Spring Clips thick x 4



Jumper Plug

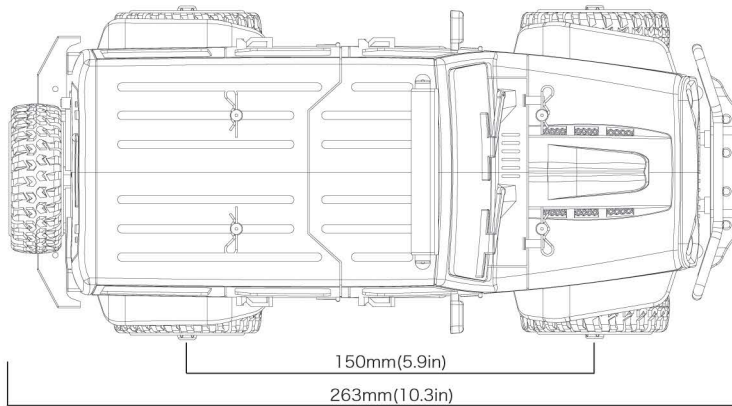
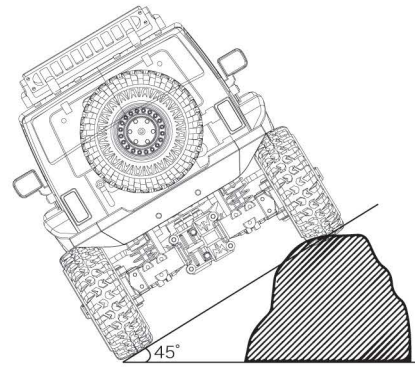
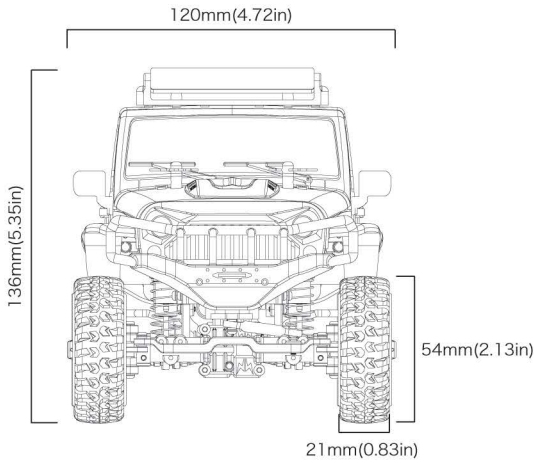
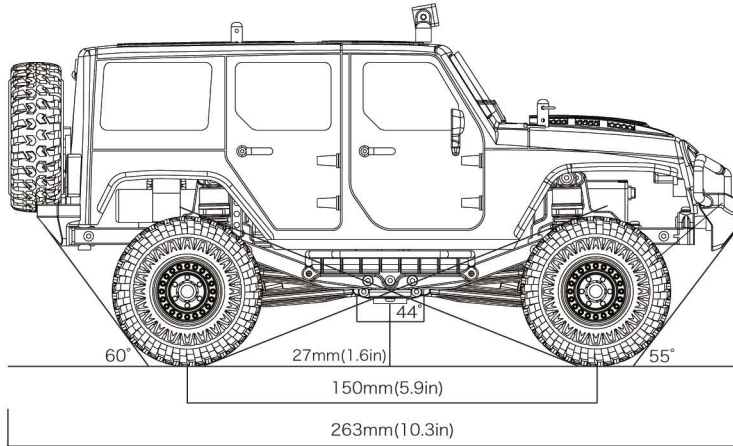


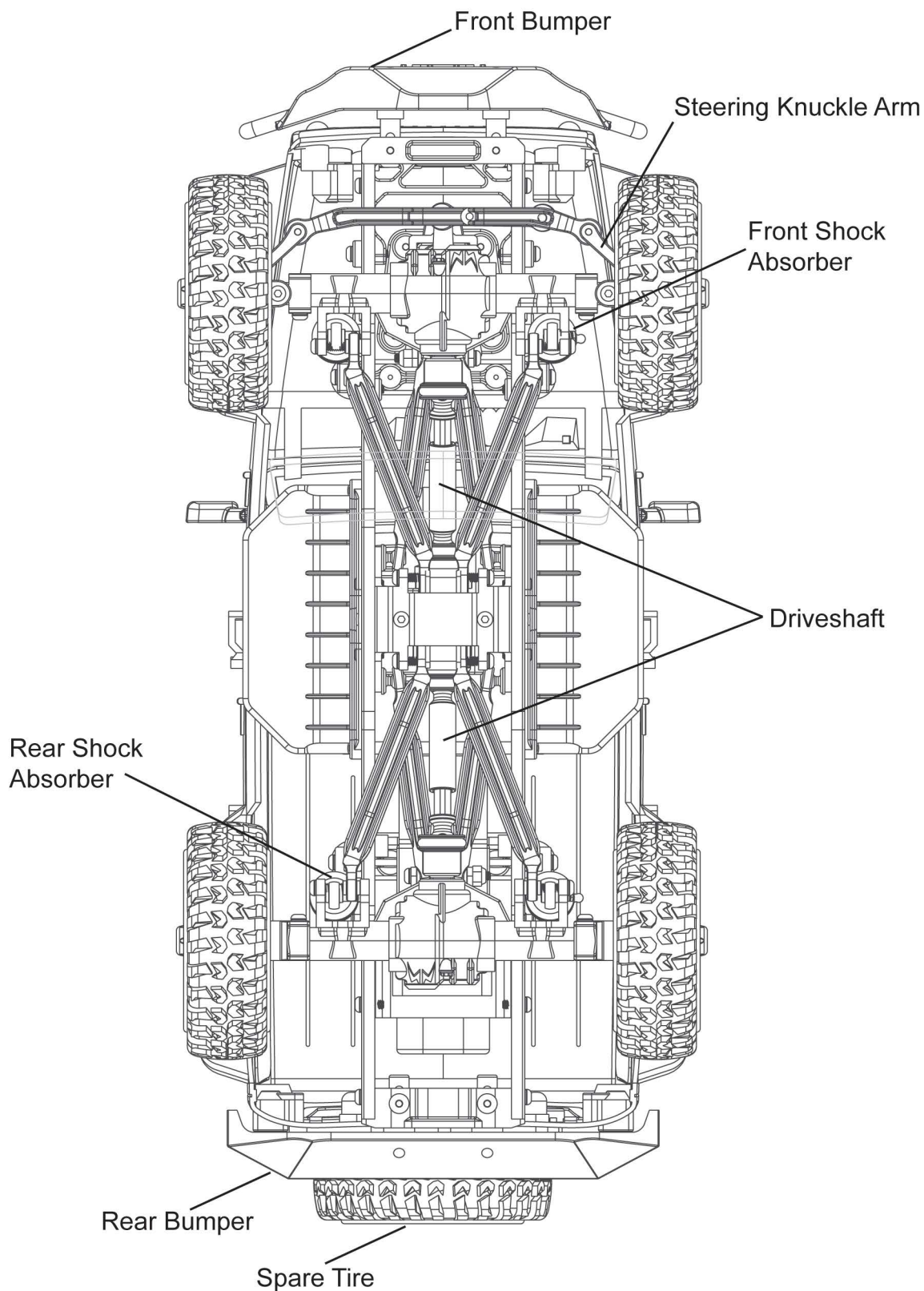
Flag

REQUIRED EQUIPMENT

Nothing

3-VIEW DRAWING





SPECIFICATIONS

Vehicle Type:	4WD Scale Crawler
Approximate Assembly Time:	No assembly required - true RTR
Battery:	2-cell Li-ion w/JST connector (included) *2
Body:	Scale, silk printed
Motor Size:	Brushed 180 51T reverse rotation
Motor Type:	Brushed
Charger:	USB Charger
Chassis Structure / Material:	Steel Ladder Frame with Nylon Composite Crossmembers
Drive System:	Shaft Driven 4WD
Completion Level:	Ready-To-Run
Differential:	Locked
Radio:	2.4GHz
Steering servo:	Included
Size/Scale:	1:18
Speed Control:	Included - fully proportional forward & reverse
Suspension:	Solid Axle 4-Link
Water-Resistant:	Yes
Wheel Type:	Black Molded
Shock Type:	55mm(2.16 in) Oil filled, alloy (4)
Brake Type:	Electronic
Steering:	Chassis Mounted Servo
Transmission:	3 speed electronic switch, Remote Shifting
Lights:	Front & Rear LED (controllable)

Approach Angle:	55°	Ground clearance:	27mm capable: (1.06")
Departure Angle:	60°	Axle ground clearance:	21mm: (0.83")
Breakover Angle:	44°	Height:	136mm (5.35 in)
Max climb angle:	50°	Length:	263mm (10.30 in)
Max tilt angle:	45°	Width:	120mm (4.72 in)
Axle articulation:	25°	Wheelbase:	150mm (5.90 in)
Front Track:	119mm (4.68 in)	Rear Track:	119mm (4.68 in)

Shock Length:	55mm (2.16 inches)	Weight Blocks weight:	46g(1.62oz)
Wheels:	25.4 x 15mm (1 x 0.6 inches)	Running weight:	483g (1.06lbs)
Tires:	54x 21mm (2.13 x 0.83 inches)	Weight without battery:	455g (1.00lbs)
Wheel Hex Size:	7mm	Body Weight with lights:	93g (3.28oz)
Battery Tray:	48 L x 30 W x 22mm H		

Pinion:	12T
Spur Gear:	24T
Transmission:	3 speed electronic switch, Remote Shifting
Drivetrain ratio:	35.5:1
Axle gearing:	2:1

Now it's time to have some fun! This section contains instructions on driving and making adjustments to your model. Before you go on, here are some important precautions to keep in mind.

- Allow the model to cool for a few minutes between runs. This is particularly important when using high-capacity battery packs that allow extended periods of running. Monitoring temperatures will extend the lives of the battery and motor.
- Do not continue to operate the model with low batteries or you could lose control of it. Indications of low battery power include slow operation and sluggish servos (slow to return to center). Stop immediately at the first sign of weak batteries. When the batteries in the transmitter become weak, the red power light (please refer to the section of radio system user's guide) will begin to flash. Stop immediately and install new batteries.
- Do not drive the model at night, on public streets, or in large crowds of people.
- If the model becomes stuck against an object, do not continue to run the motor. Remove the obstruction before continuing. Do not push or pull objects with the model.
- Avoid running your model in tall grass, deep sand, or other conditions that severely limit the driving performance of the model. This will strain the power system and could cause early motor failure.
- Because the model is controlled by radio, it is subject to radio interference from many sources beyond your control. Since radio interference can cause momentary losses of control, allow a safety margin of space in all directions around the model in order to prevent collisions.
- Use good, common sense whenever you are driving your model. Intentionally driving in an abusive and rough manner will only result in poor performance and broken parts. Take care of your model so that you can enjoy it for a long time to come.
- High-performance vehicles produce small vibrations that may loosen hardware over time. Frequently check wheel bolts and other screws on your vehicle to ensure that all hardware remains properly tightened.

About Run Time

It's impossible to give exact run times for the model, but typically you can expect 20 minutes. Another major factor that affects run time is how the model is driven. Run times may decrease when the model is driven repetitively from a stop to top-speed and with repetitive hard acceleration.

Tips for Increasing Run Time

- Use the included charger.
- Read and follow all maintenance and care instructions provided by the manufacturer of your batteries and charger.
- Keep the speed control cool.
- Maintain your model. Do not allow dirt or damaged parts to cause binding in the drivetrain. Keep the motor clean.
- Considering purchasing an optional higher capacity battery.

CHARGING INSTRUCTIONS

This is a guide for the care and usage of the charger and battery that comes with the vehicle.

C636082-USB Charger

C636081-7.4V 700Mah Li-ion Battery

⚠ CAUTION: The C636082 charger is for use with 2-cell 7.4V Li-ion batteries **ONLY** and should not be used with any other batteries.

⚠ CAUTION: Never leave the battery unattended while charging. Always disconnect the battery and unplug the charger when finished charging.

⚠ CAUTION: Never store the battery in your car in direct sunlight. Excessive heat may damage the battery.

⚠ CAUTION: Never charge the battery if it is damaged in any way. Loose wires, punctured, puffy or wet.

Remove the battery from the vehicle before charging.

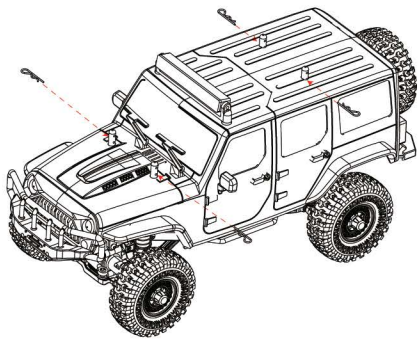
- Place the battery on a fire-resistant surface away from combustible materials.
- Keep the battery and charger away from water and other fluids. Never charge a wet battery.

1. Connect the USB connector to a PC USB port or to a USB AC wall adapter. The Red LED should be lit and solid.
2. Connect the battery to the JST connector on the charger. The Red LED should be lit and stay solid, and the Green LED should Flash to indicate charging has commenced. The charger will automatically begin the charging process. When the
3. Red LED and the Green LED are both solid, the battery is fully charged.

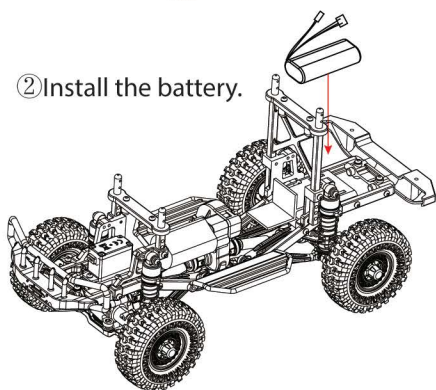
When using the C636082 charger, the C636081 battery should fully charge in 1 hour.

GETTING STARTED

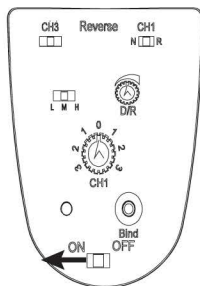
① Remove the body clips and body.



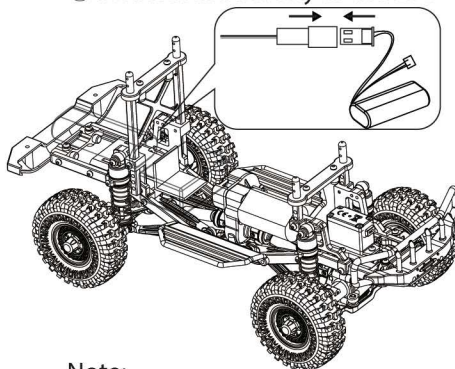
② Install the battery.



③ Turn on the transmitter.

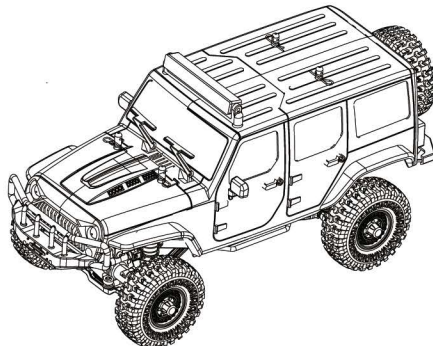


④ Connect the battery to the ESC



Note:
Power to the vehicle is controlled by connecting/disconnecting the battery.

⑤ Install the body and body clips.



RADIO SYSTEM SPECIFICATIONS

Transmitter

Model: **MT-305A**

FHSS Output Power: <100mW

Operating Voltage: 4.8-6V

Power Supply: 4 Cell Alkaline

Frequency/Modulation Type: 2.4GHz FHSS

Receiver

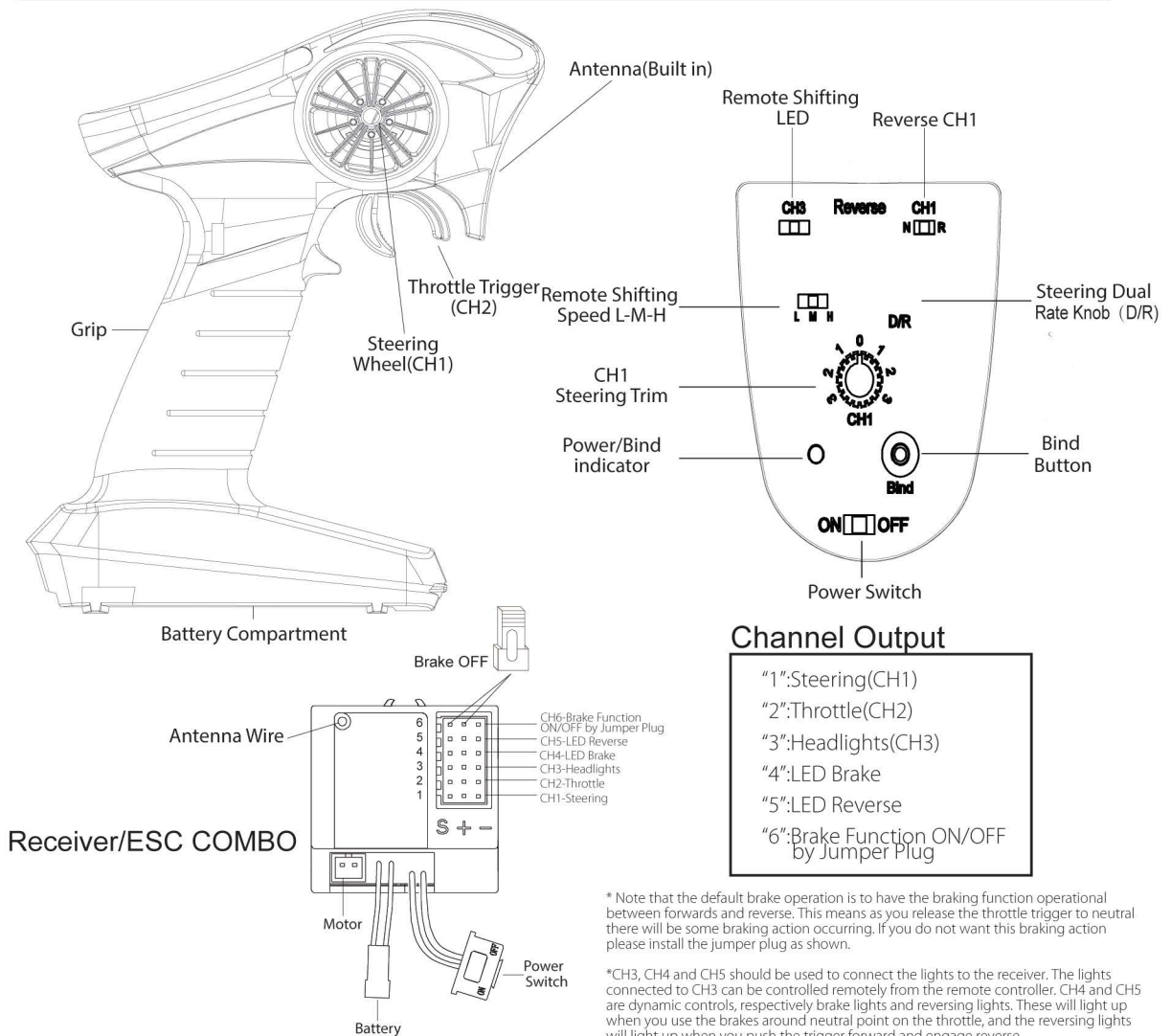
Model: **MR-203A**

Frequency: 2.4GHz FHSS

Operating Voltage: 6V-7.4V

Dimensions: 33*33*15mm

TRANSMITTER AND RECEIVER/ESC DIAGRAMS



* Note that the default brake operation is to have the braking function operational between forwards and reverse. This means as you release the throttle trigger to neutral there will be some braking action occurring. If you do not want this braking action please install the jumper plug as shown.

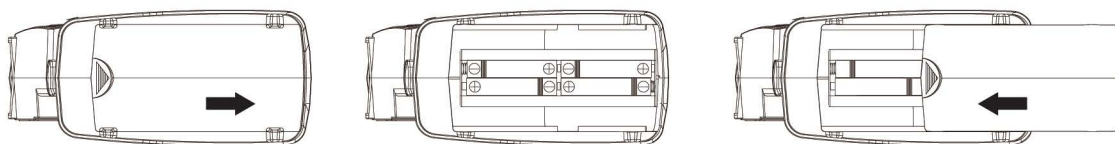
*CH3, CH4 and CH5 should be used to connect the lights to the receiver. The lights connected to CH3 can be controlled remotely from the remote controller. CH4 and CH5 are dynamic controls, respectively brake lights and reversing lights. These will light up when you use the brakes around neutral point on the throttle, and the reversing lights will light up when you push the trigger forward and engage reverse.

Please follow these instructions to make sure that your lights are controllable, and not always on.

Important Note: the black plug with 2 wires (red & black) should be plugged in at the SW position, but the negative pin must be left blank. The black plug should be oriented so that the negative pin is blank and the 2 wires are connected to + and 5.

TRANSMITTER CONTROLS

INSTALLING TRANSMITTER BATTERIES



This transmitter requires 4 AA batteries.

1. Remove the battery cover from the transmitter.
2. Install the batteries as shown.
3. Install the battery cover.



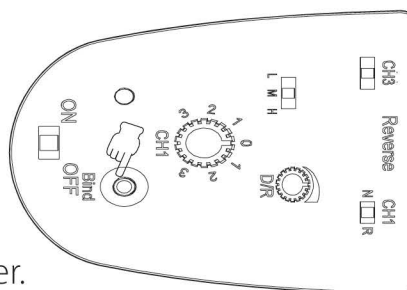
CAUTION: If using rechargeable batteries, charge only rechargeable batteries. Charging non-rechargeable batteries may cause the batteries to burst, resulting in injury to persons and/or damage to property.



CAUTION: Risk of explosion if battery is replaced by an incorrect type. Dispose of used batteries according to national regulations.

BINDING

YOUR TETRA X1 COMES BOUND AND READY TO OPERATE. IN THE EVENT THAT YOUR VEHICLE DOES NOT RESPOND TO THE TRANSMITTER, FOLLOW THE BINDING INSTRUCTIONS BELOW.

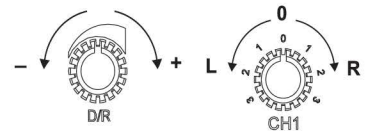


1. Power OFF the ESC/Receiver and transmitter.
2. Connect a fully charged battery to the ESC/Receiver.
3. Press the Bind button and power on the transmitter, LED on transmitter will flash.
4. Power on the receiver.
5. Receiver LED flash, when it goes solid, indicating the bind is successful.

STEERING RATES & STEERING TRIM (CH1)

Rates (dual rate) allow you to make adjustments to Steering, which allows you to access a different rate by turning

The Trim function allows electronic adjustment or centering of the steering servo to get the servo arm exactly perpendicular to the servo, or in the exact optimum desired position.



CHANGING THE THROTTLE LIMIT



L-Beginner Mode

Throttle limiting Switch: 30%

- Best for learning the basic functions of left, right, stop, brake and reverse
- For use in smaller areas
- Longest battery life

M-Best Overall Performance

Throttle limiting Switch: 60%

- Great top speed and acceleration
- Easier to accelerate in desired direction, especially on loose surfaces when compared to Maximum Speed setup
- Run time is greatly increased over Maximum Speed setup with minimal impact to speed

H-Maximum Speed

Throttle limiting Switch: 100%

- More capable of popping and holding wheelies
- Higher top speeds and maximum acceleration

Maintaining Your Model

Your model requires timely maintenance in order to stay in top running condition. The following procedures should be taken very seriously.

Inspect the vehicle for obvious damage or wear. Look for:

1. Cracked, bent, or damaged parts
2. Check the wheels and steering for binding.
3. Check the operation of the shock absorbers.
4. Check the wiring for any frayed wires or loose connections.
5. Check the mounting of the receiver and servo(s) and speed control.
6. Check the tightness of the wheel nuts with a wrench.
7. Check the operation of the radio system, especially the condition of the batteries.
8. Check for any loose screws in the chassis structure or suspension.
9. Inspect the gears for wear, broken teeth, or debris lodged between the teeth.
10. Check the tightness of the front pivot balls.

Motor: Every 10-15 runs, remove, clean, and lubricate the motor. Use a product such as electric motor cleaning spray to flush dirt out of the motor. After cleaning, lubricate the bushings at each end of the motor with a drop of light-weight electric motor oil.

Chassis: Keep the chassis clean of accumulated dirt and grime. Periodically inspect the chassis for damage.

Shocks: Keep the oil level in the shocks full. Use only 100% pure silicone shock oil to prolong the life of the seals. If you are experiencing leakage around the top of the shock, inspect the bladder in the top cap for signs of damage or distortion from overtightening. If the bottom of the shock is leaking, then it is time for a rebuild.

Suspension: Periodically inspect the model for signs of damage, such as bent or dirty suspension pins, bent turnbuckles, loose screws, and any signs of stress or bending. Replace components as needed.

Driveline: Inspect the driveline for signs of wear such as worn drive yokes, dirty axle half shafts, and any unusual noise or binding. Remove the gear cover, inspect the spur gear for wear, and check the tightness of set screws in the pinion gears. Tighten, clean, or replace components as needed.

Storage

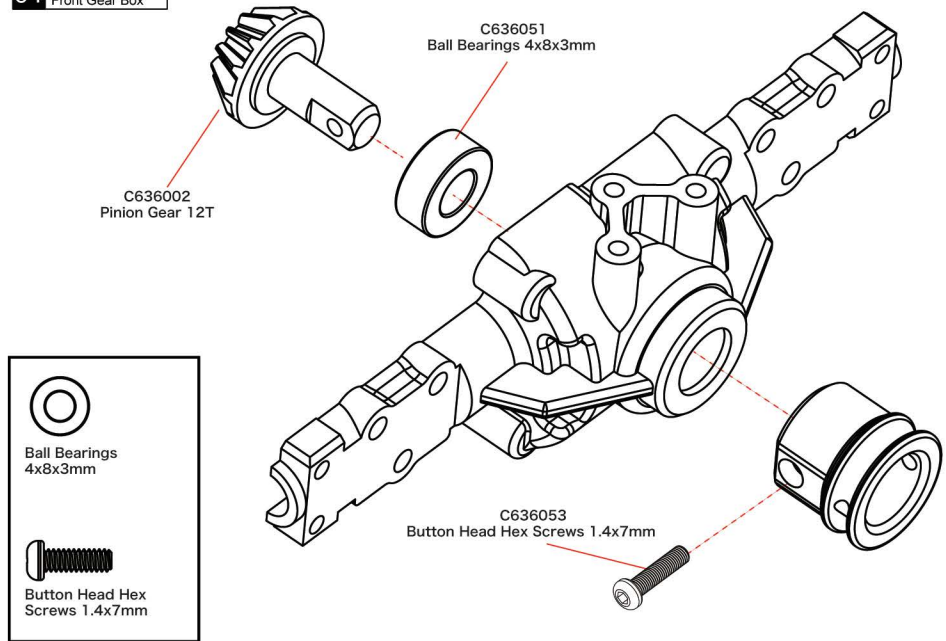
When you are through running the model for the day, blow it off with compressed air or use a soft bristled paint brush to dust off the vehicle. Always disconnect and remove the battery from the model whenever the model is stored. If the model will be stored for a long time, then also remove the batteries from the transmitter. Keep this manual and the other documents included with your model for future reference. If you misplace your manual or any of the documents, they may be downloaded at www.pandahobby.com.

PROBLEM	POSSIBLE CAUSE	SOLUTION
Vehicle does not operate	Battery not charged or connected	Charge battery, plug battery in, check connector
	ESC switch not ON	Turn ON ESC switch, using your ESC instruction manual
	Transmitter low battery or not ON	Replace batteries/Turn ON
Motor runs but rear wheels don't move	Pinion not meshing with spur gear	Adjust pinion/spur mesh
	Pinion spinning on motor shaft	Replace pinion gear on motor
	Transmission gears stripped	Replace transmission gears
	Drive pin broken	Check and replace drive pin
Steering does not work	Servo plug not in receiver properly	Plug servo in, check connector
	Servo failure	Replace or repair servo
	Locked up steering linkage	Free up steering linkage
Won't turn in one direction	Servo gears damaged	Replace servo
Motor does not run	Motor plugs loose	Plug motor in completely
	Motor wire broken	Repair or replace as needed
	ESC out of adjustment/ESC damaged	Reset ESC using your ESC instruction manual/Replace ESC
	Motor failure	Replace motor
ESC gets hot	Motor over-gearred	Use smaller pinion or larger spur gear on motor
	Driveline bound up	Check wheels, suspension and transmission for binding
Poor run time and/or sluggish acceleration	Battery pack not fully charged	Recharge battery
	Charger not allowing full charge	Try another charger
	Motor worn out	Replace motor
	Driveline bound up	Check wheels, transmission for binding
Poor range and/or glitching	Transmitter batteries low	Check and replace
	Vehicle battery low	Recharge or replace
	Loose plugs or wires	Check all wire connections and plugs
Slipper won't adjust	Drive pin missing in shaft	Replace drive pin
	Spur gear face worn out	Replace spur gear and adjust slipper
Goes backwards when you pull the trigger, or forward when pushing		Check throttle reversing switches on transmitter. Reset ESC. Using your transmitter manual and ESC manual
Goes right when turning the wheel left(or left when turned right)		Check steering reversing switches on transmitter using your transmitter manual
Reverse problem	No reverse	Reverse has a 2 seconds delay once the vehicle is at a complete stop. Make sure to test this before resetting your ESC
	No reverse or brakes	Reset your ESC, or repair your ESC

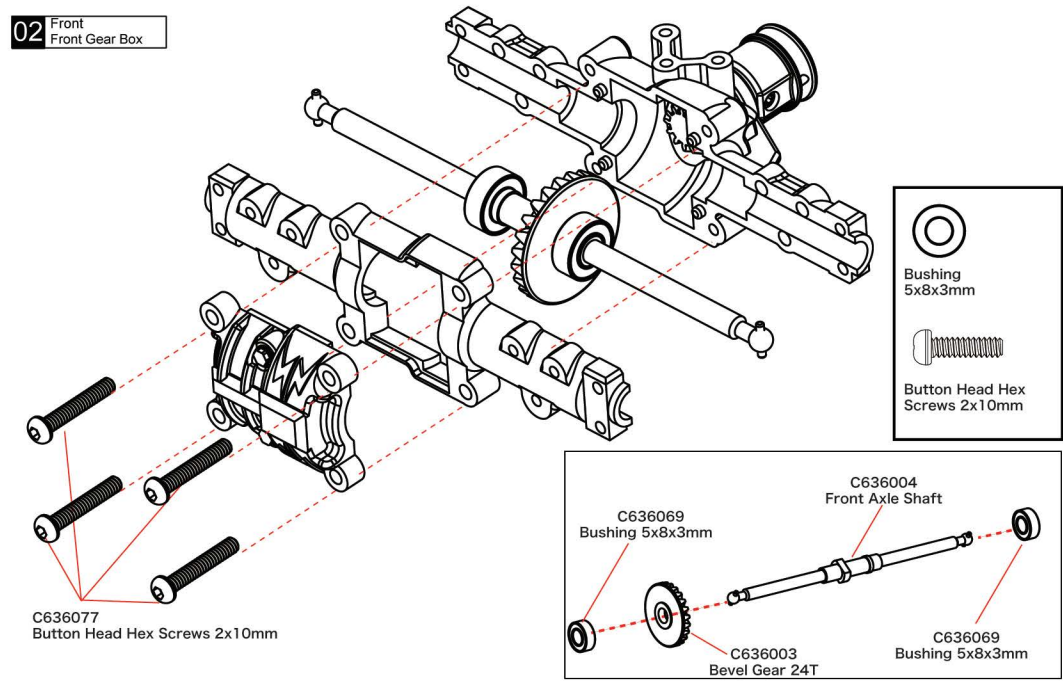
ASSEMBLY STEPS

*** FOR MAINTENANCE PURPOSES, OR TO REPLACE A DAMAGED PART, THE FOLLOWING PAGES WILL GUIDE YOU THROUGH DIS-ASSEMBLY AND ASSEMBLY.**

01 Front Front Gear Box



02 Front Front Gear Box



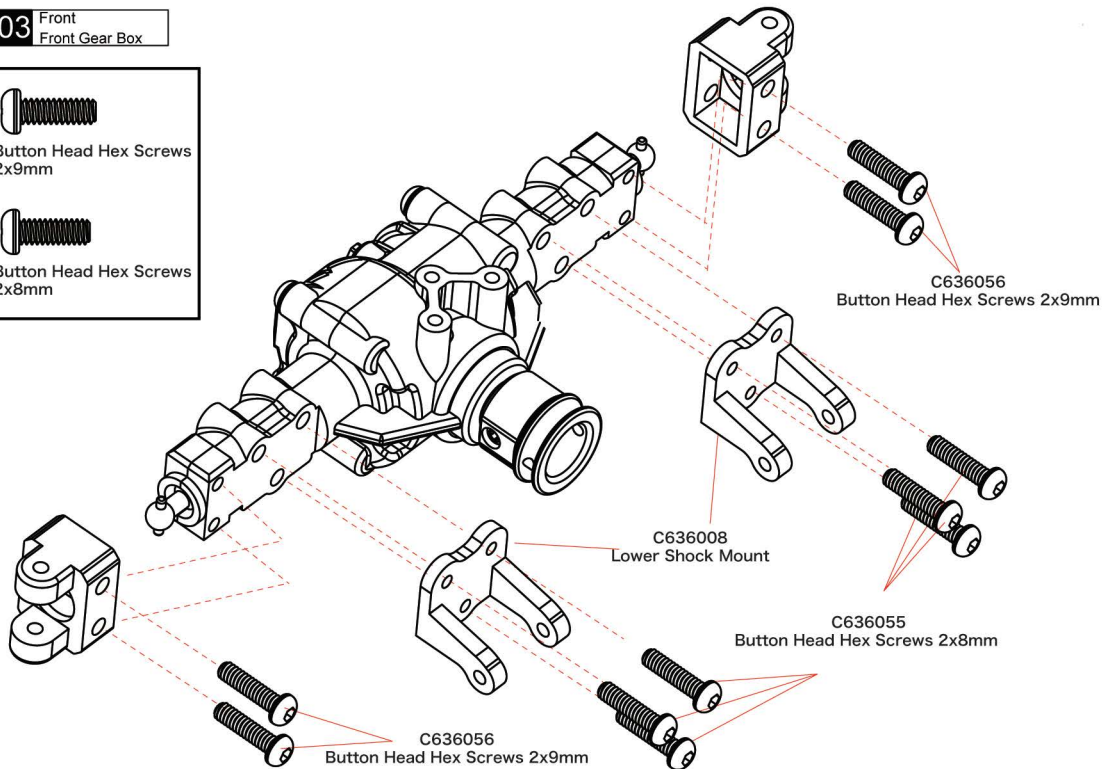
03 Front Front Gear Box



Button Head Hex Screws 2x9mm



Button Head Hex Screws 2x8mm



04 Front Front Gear Box

C636070 Bushing 3x6x2.5mm

C636009 Front Stub Axle

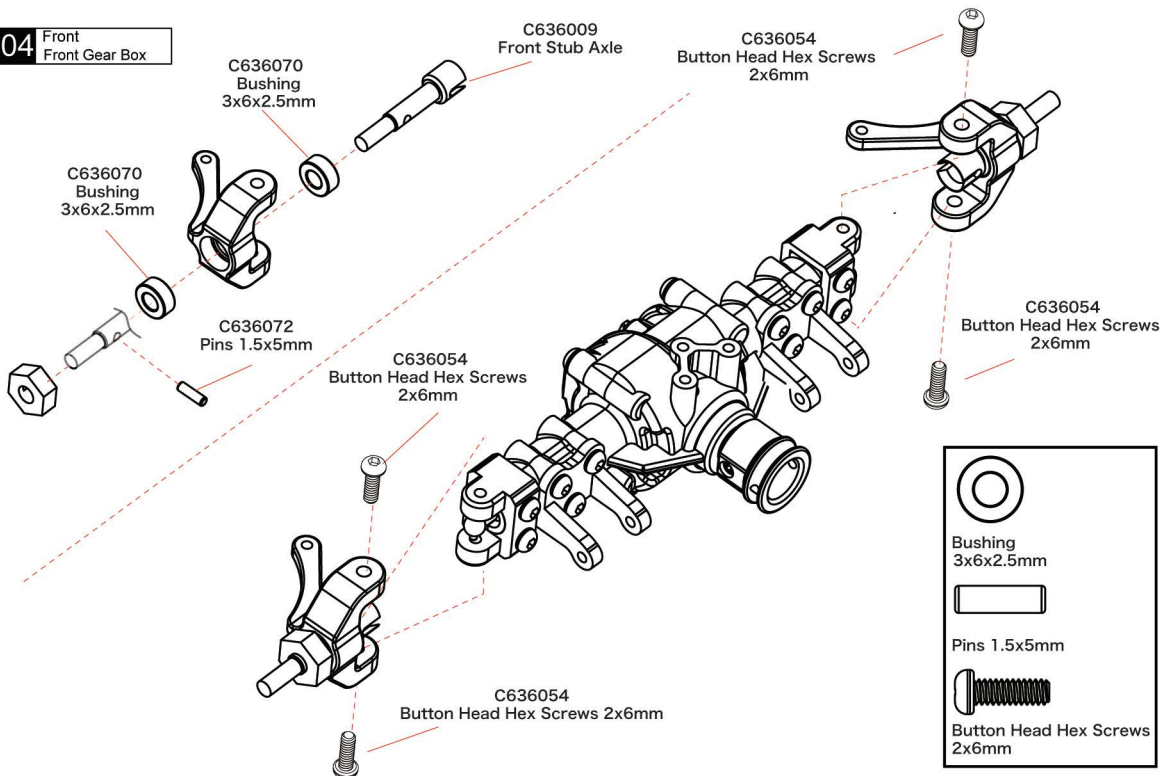
C636054 Button Head Hex Screws 2x6mm

C636070 Bushing 3x6x2.5mm

C636072 Pins 1.5x5mm

C636054 Button Head Hex Screws 2x6mm

C636054 Button Head Hex Screws 2x6mm



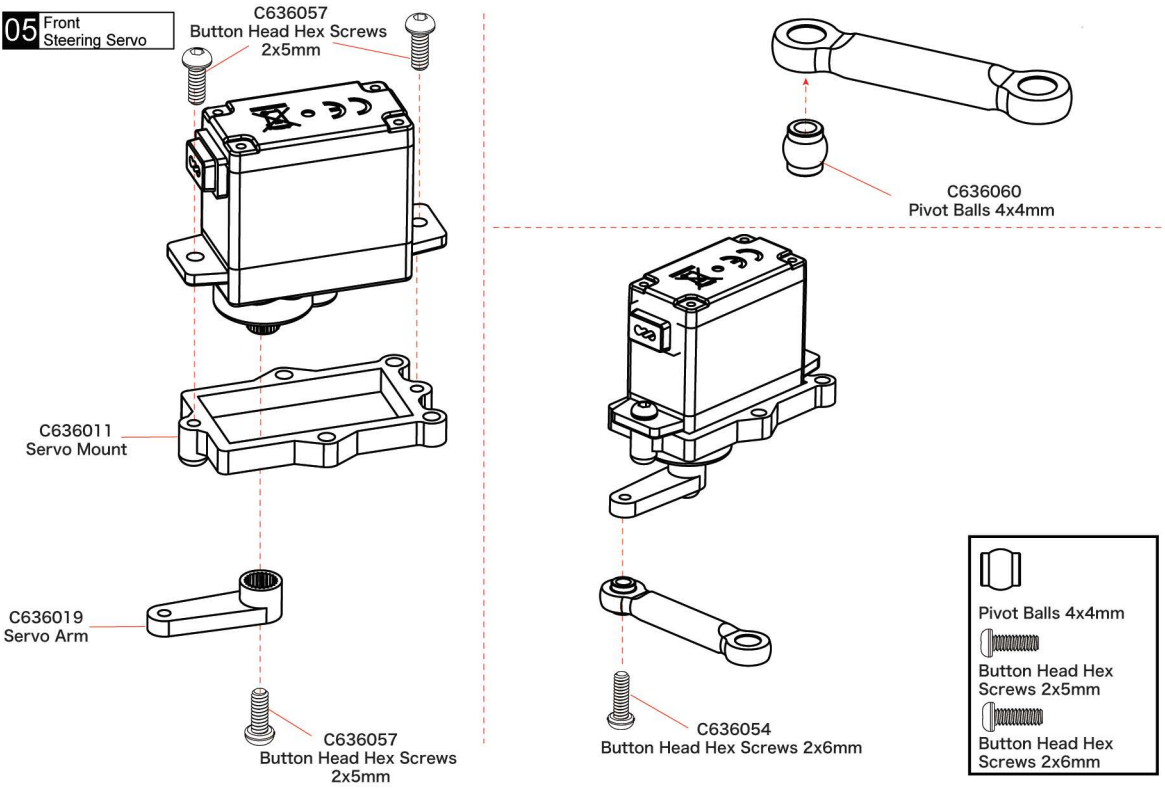
Bushing 3x6x2.5mm

Pins 1.5x5mm

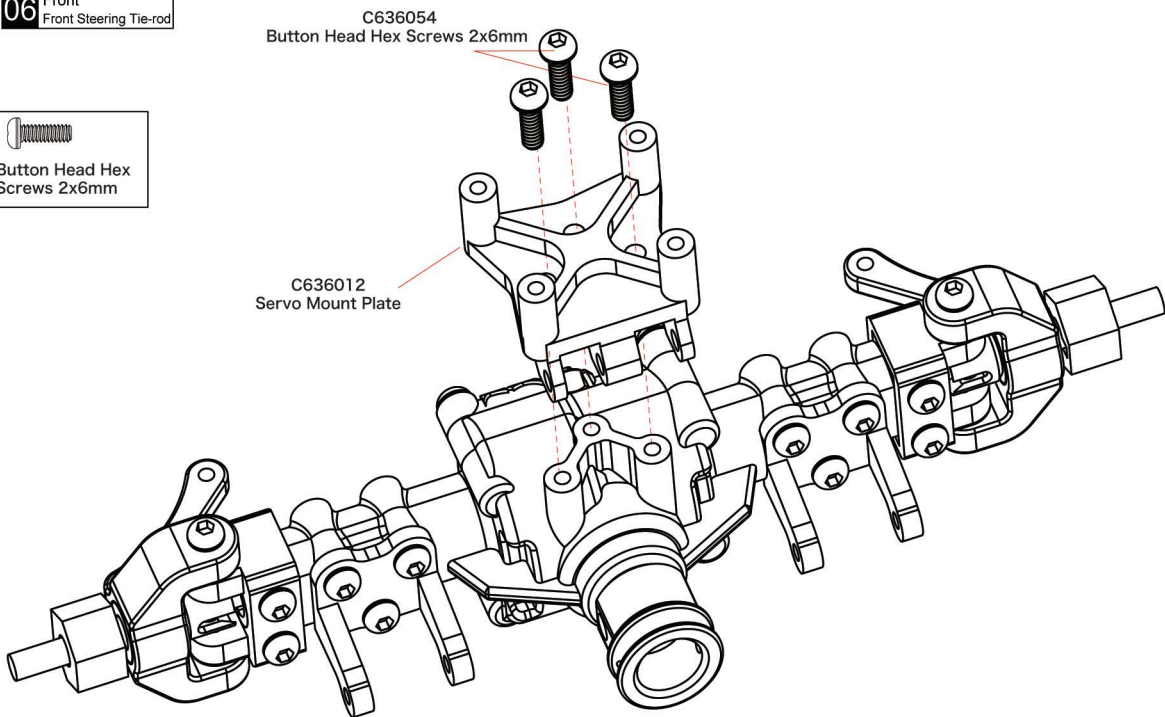
Button Head Hex Screws 2x6mm

ASSEMBLY STEPS

05 Front Steering Servo

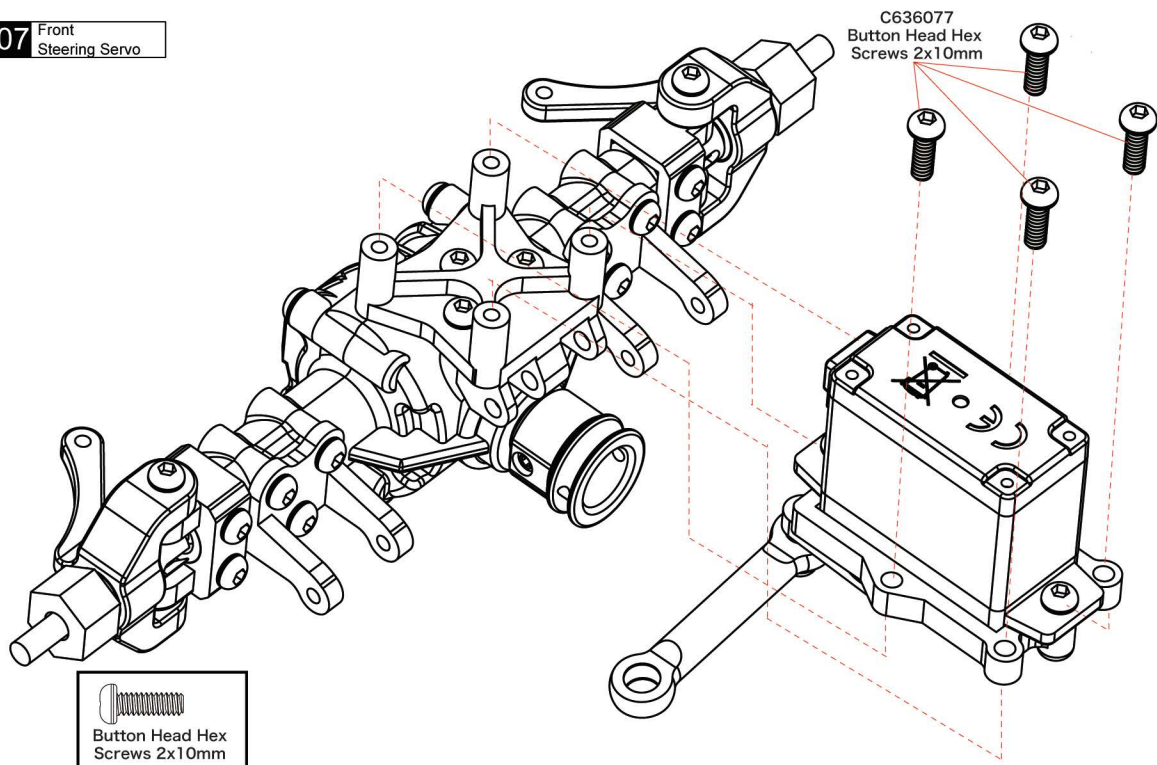


06 Front Steering Tie-rod

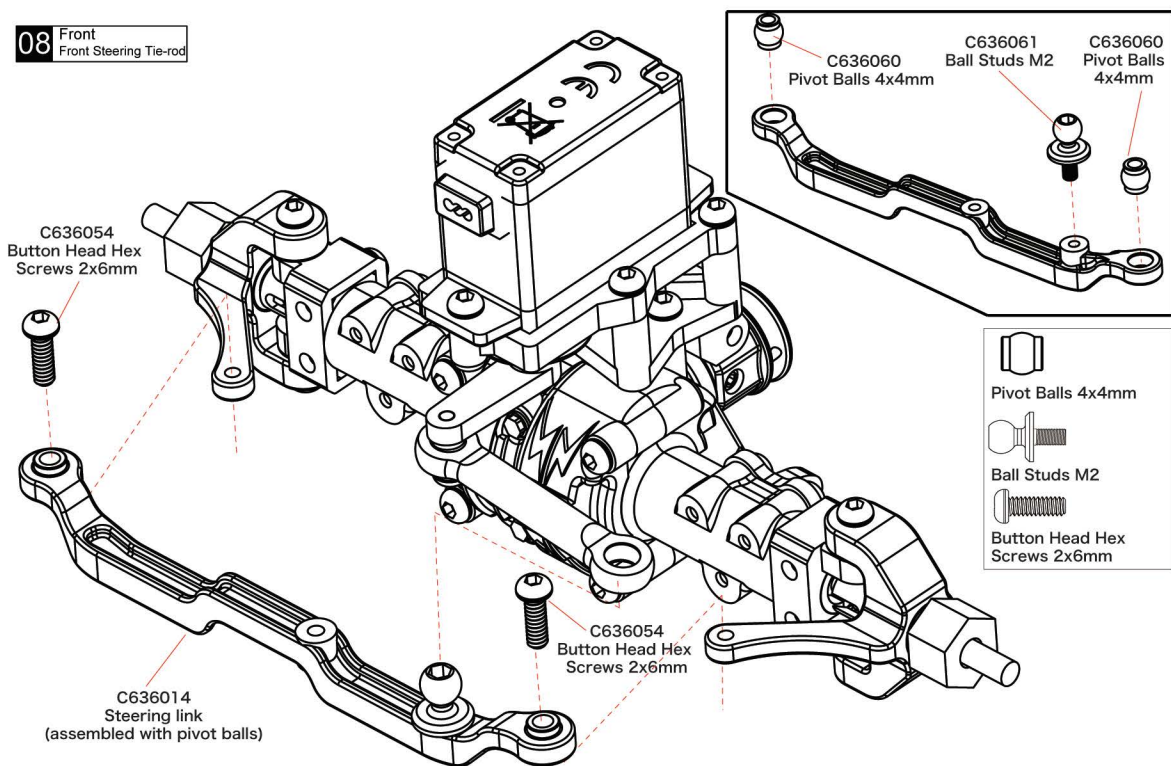


ASSEMBLY STEPS

07 Front Steering Servo

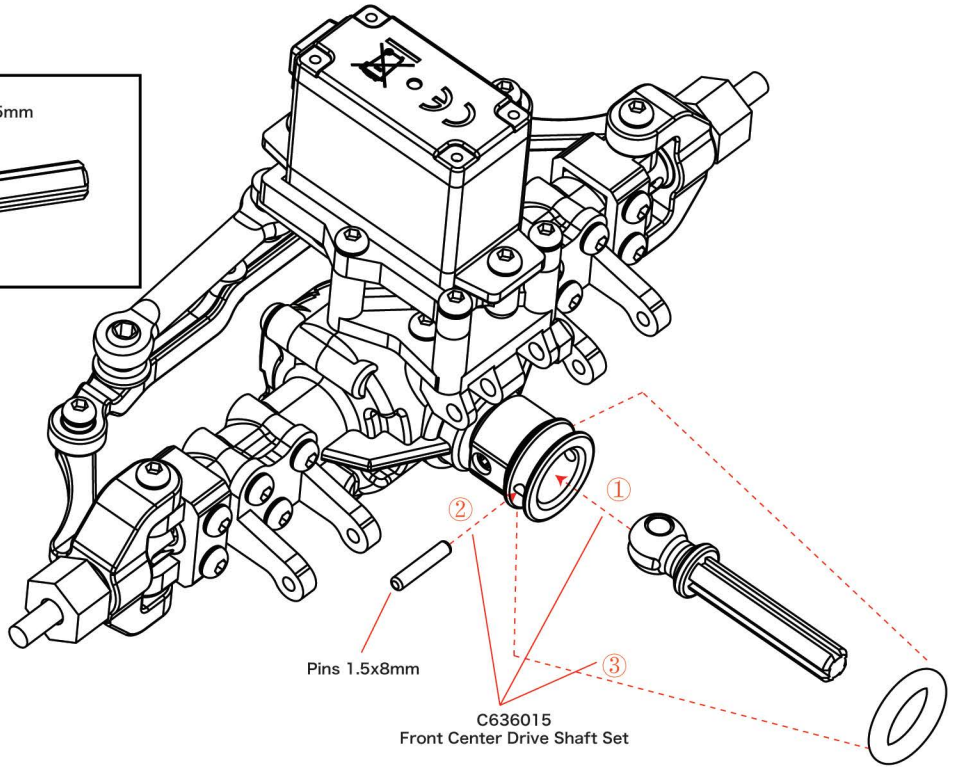
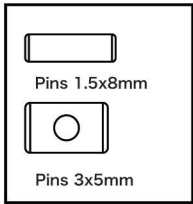
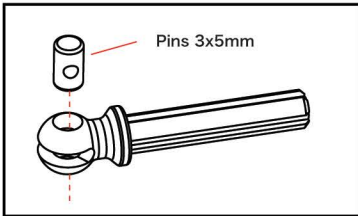


08 Front Steering Tie-rod

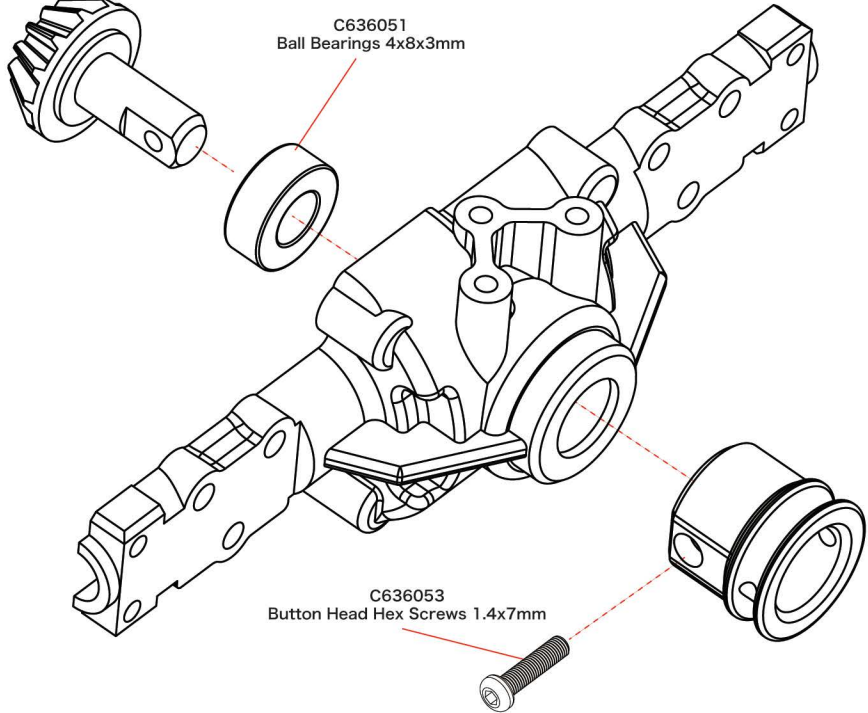
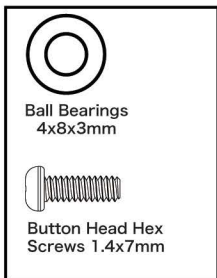


ASSEMBLY STEPS

09 Front Front Drive Shaft



10 Rear Rear Gear Box

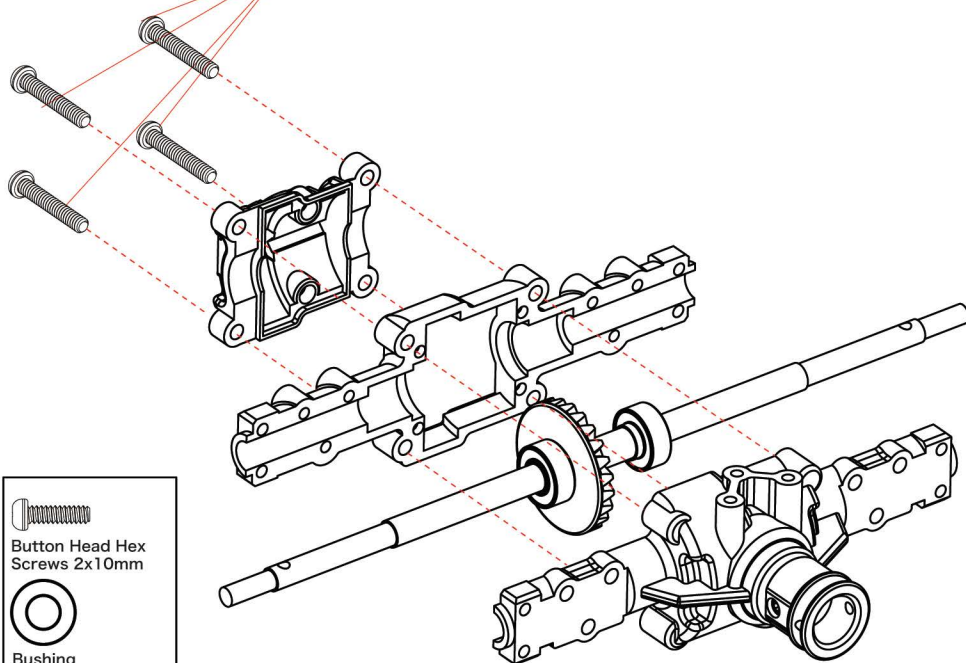


ASSEMBLY STEPS

11 Rear Rear Gear Box

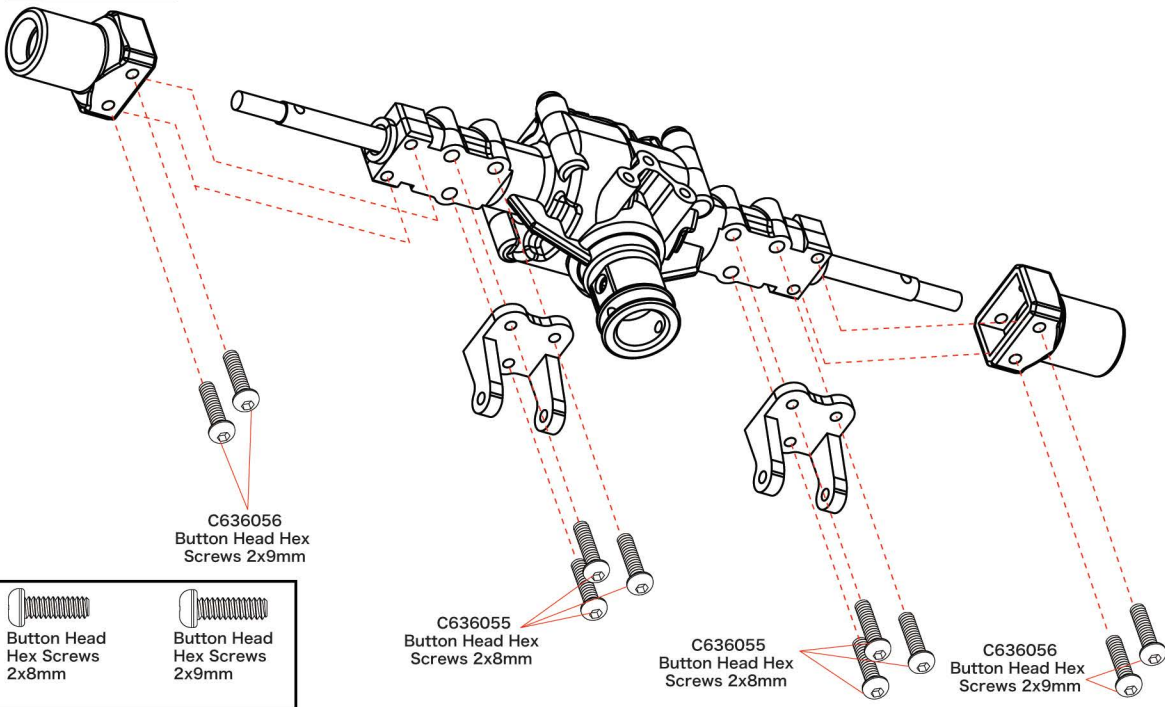
C636077
Button Head Hex
Screws 2x10mm

C636069
Bushing
5x8x3mm

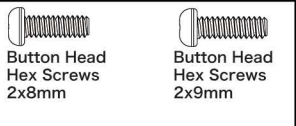


C636069
Bushing
5x8x3mm

12 Rear Rear Gear Box



C636056
Button Head Hex
Screws 2x9mm



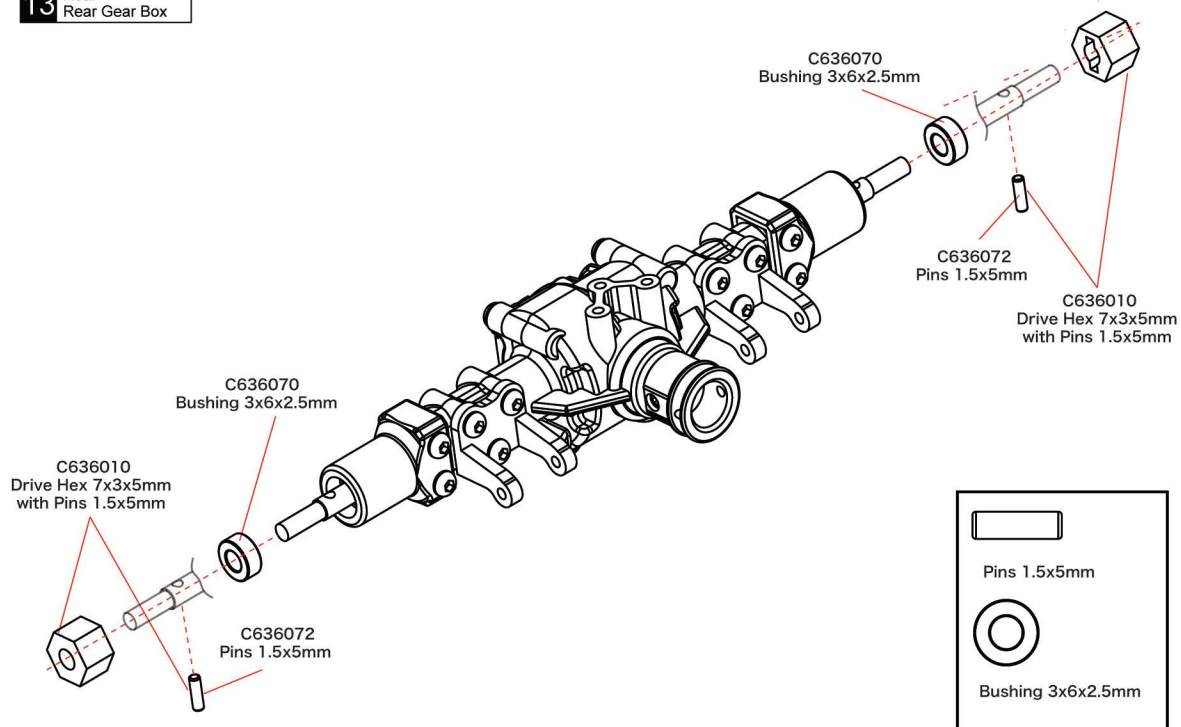
C636055
Button Head Hex
Screws 2x8mm

C636055
Button Head Hex
Screws 2x8mm

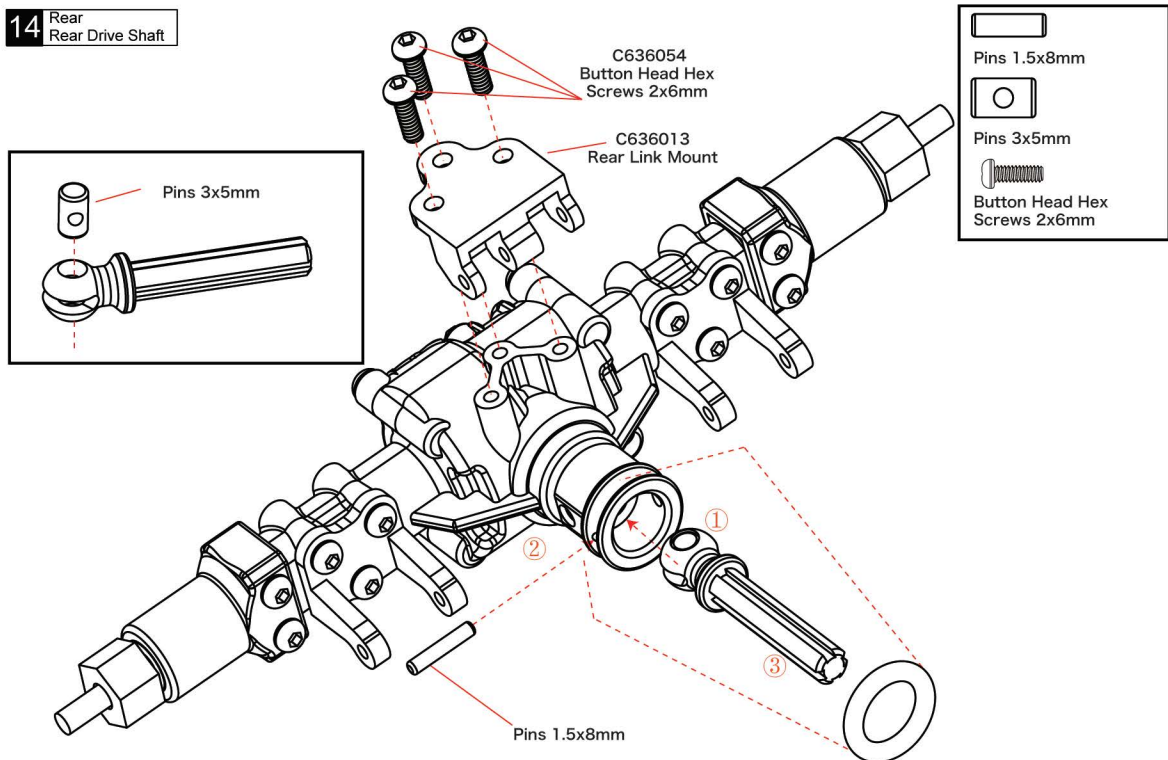
C636056
Button Head Hex
Screws 2x9mm

ASSEMBLY STEPS

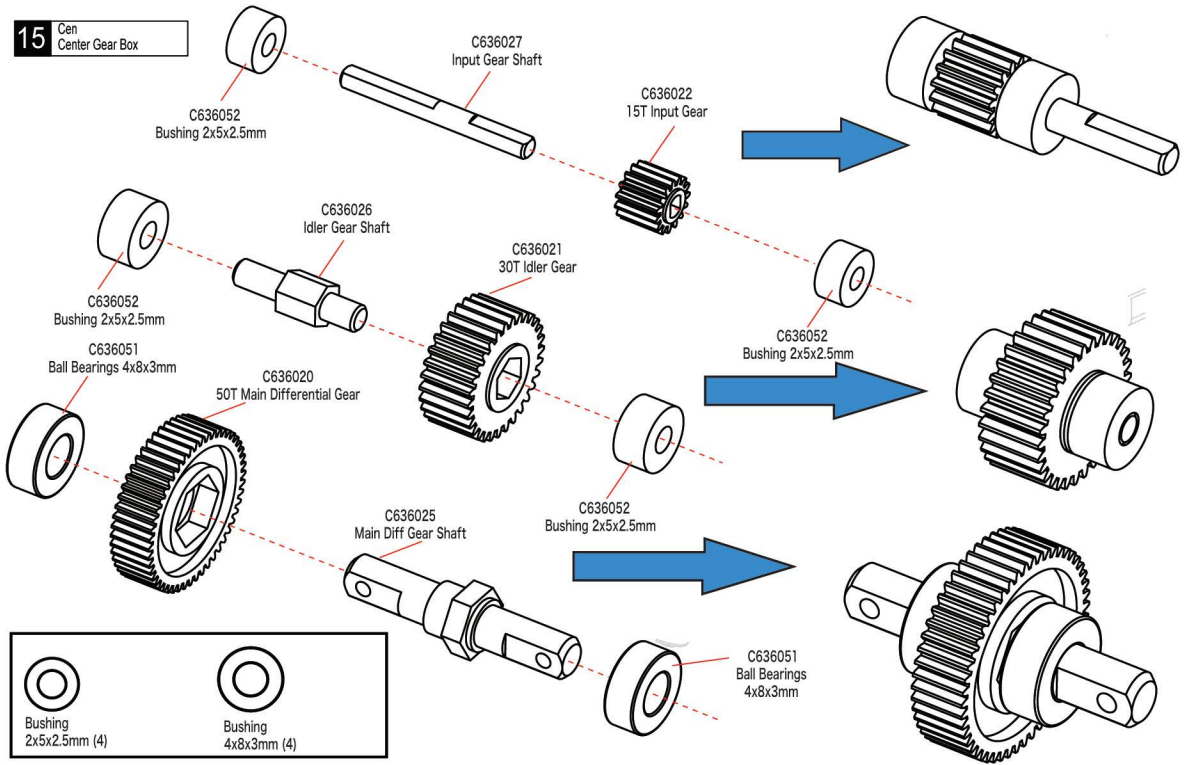
13 Rear Gear Box



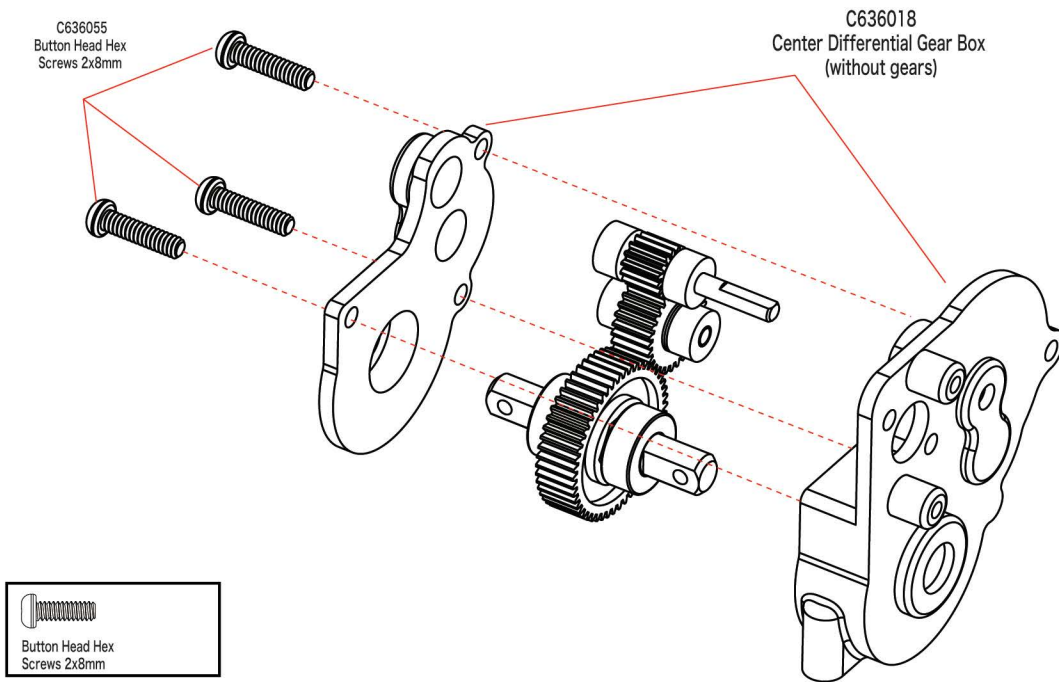
14 Rear Drive Shaft



15 Cen
Center Gear Box

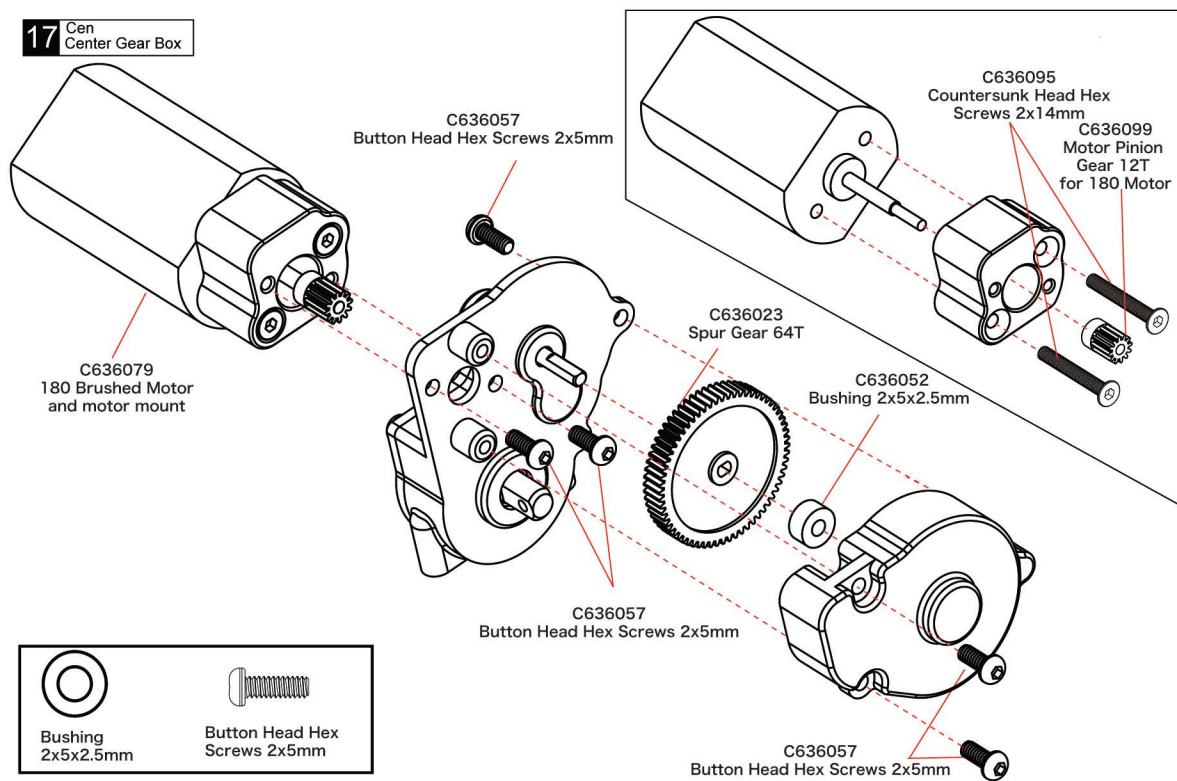


16 Cen
Center Gear Box

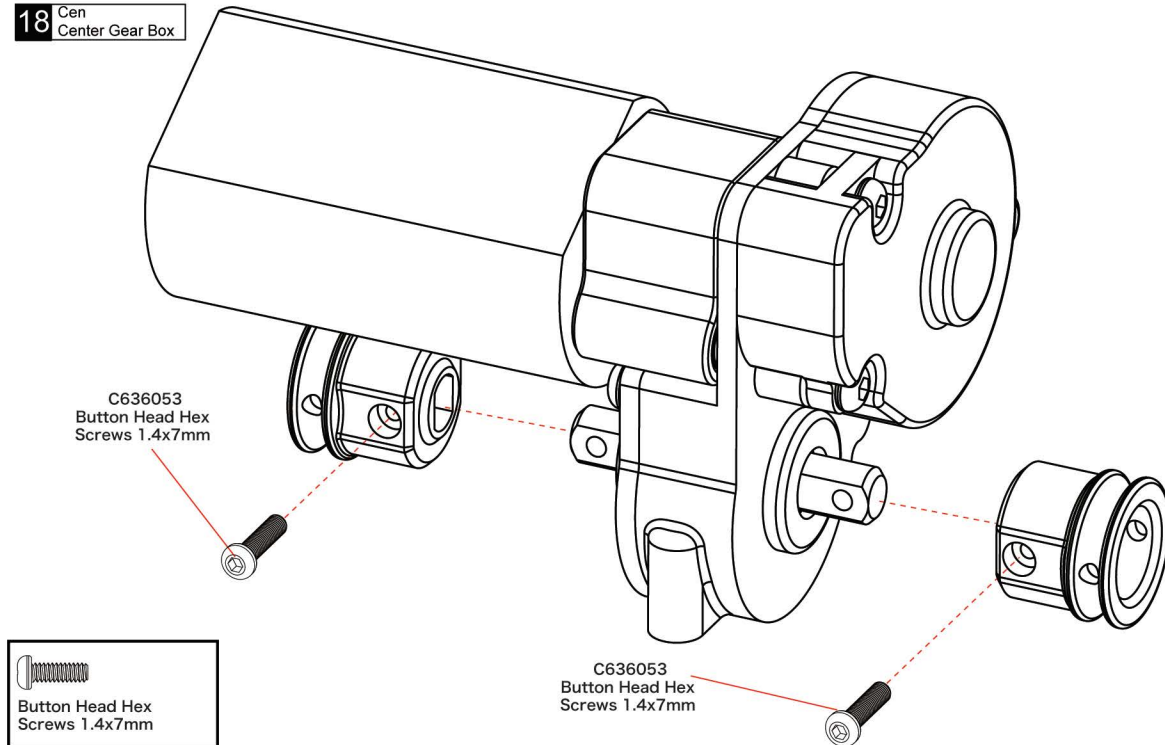


ASSEMBLY STEPS

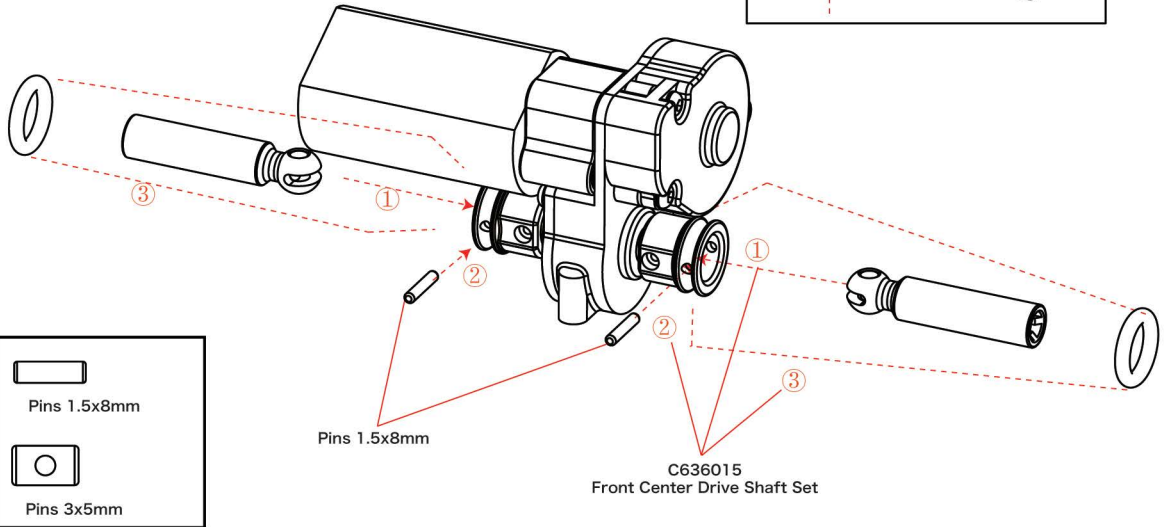
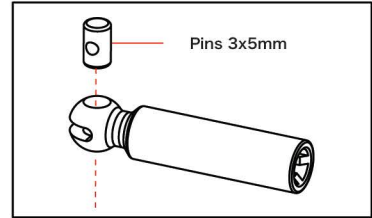
17 Cen Center Gear Box



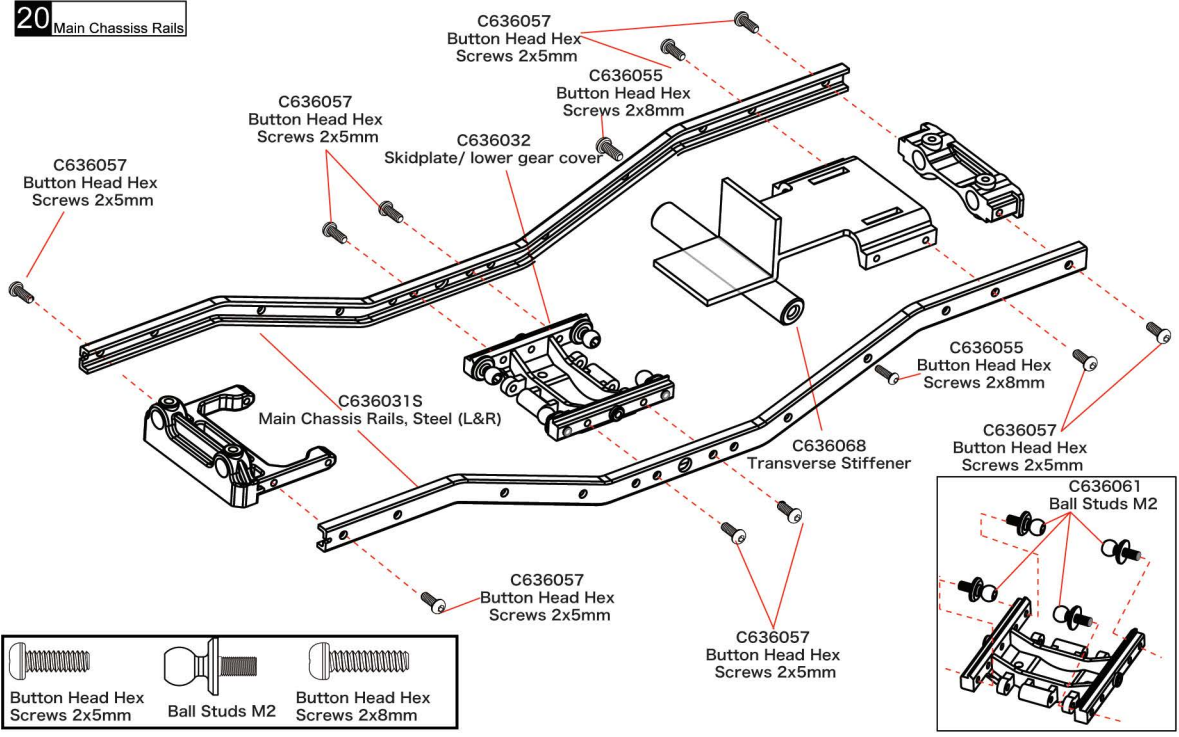
18 Cen Center Gear Box



19 Cen Center Gear Box

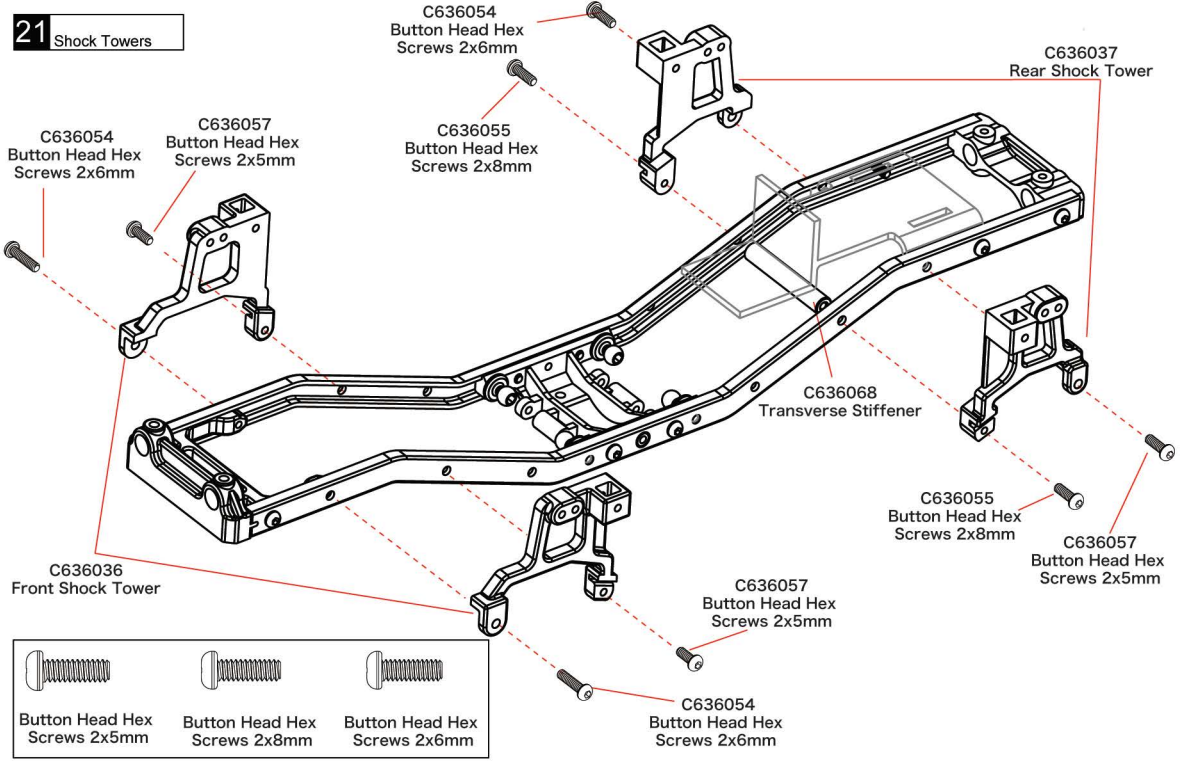


20 Main Chassis Rails

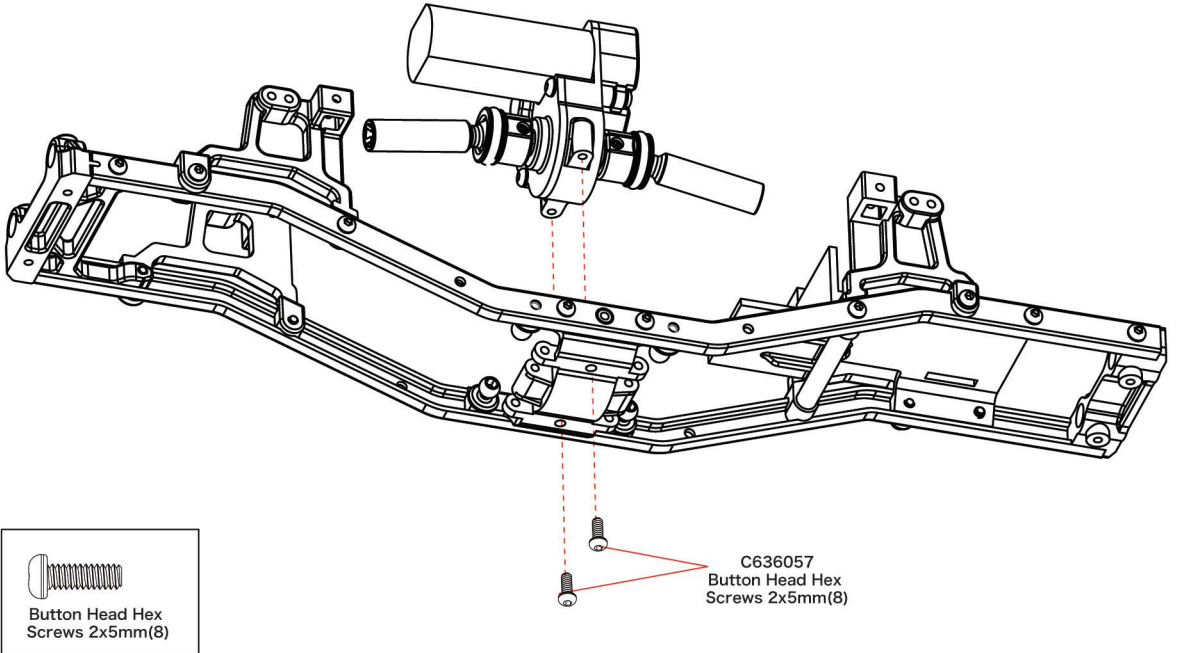


ASSEMBLY STEPS

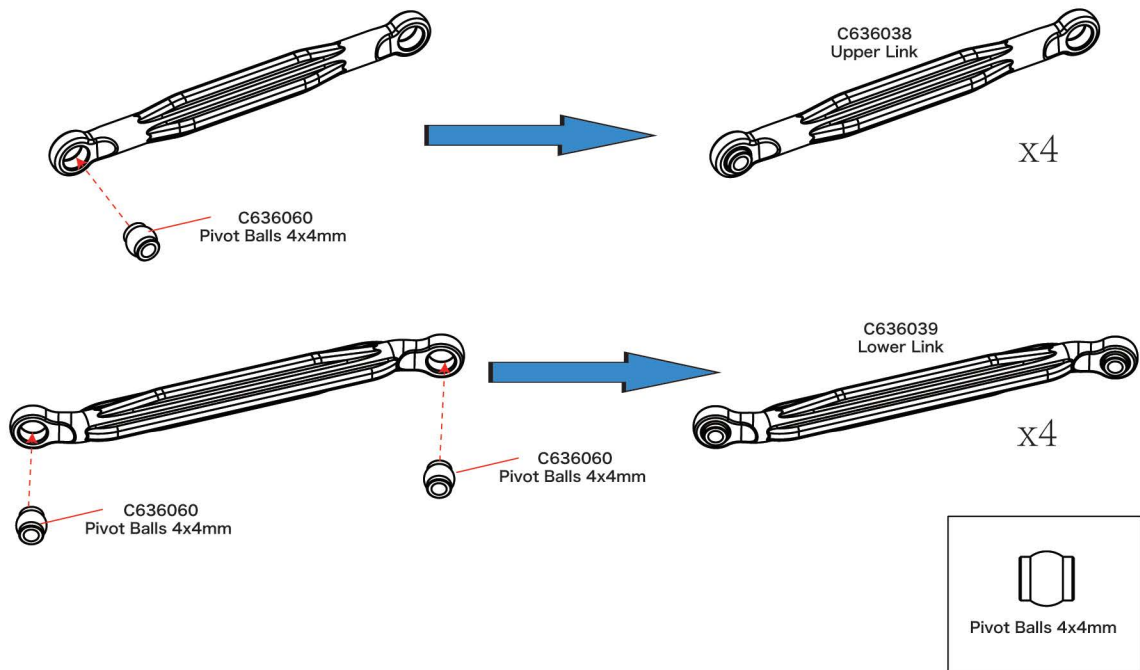
21 Shock Towers



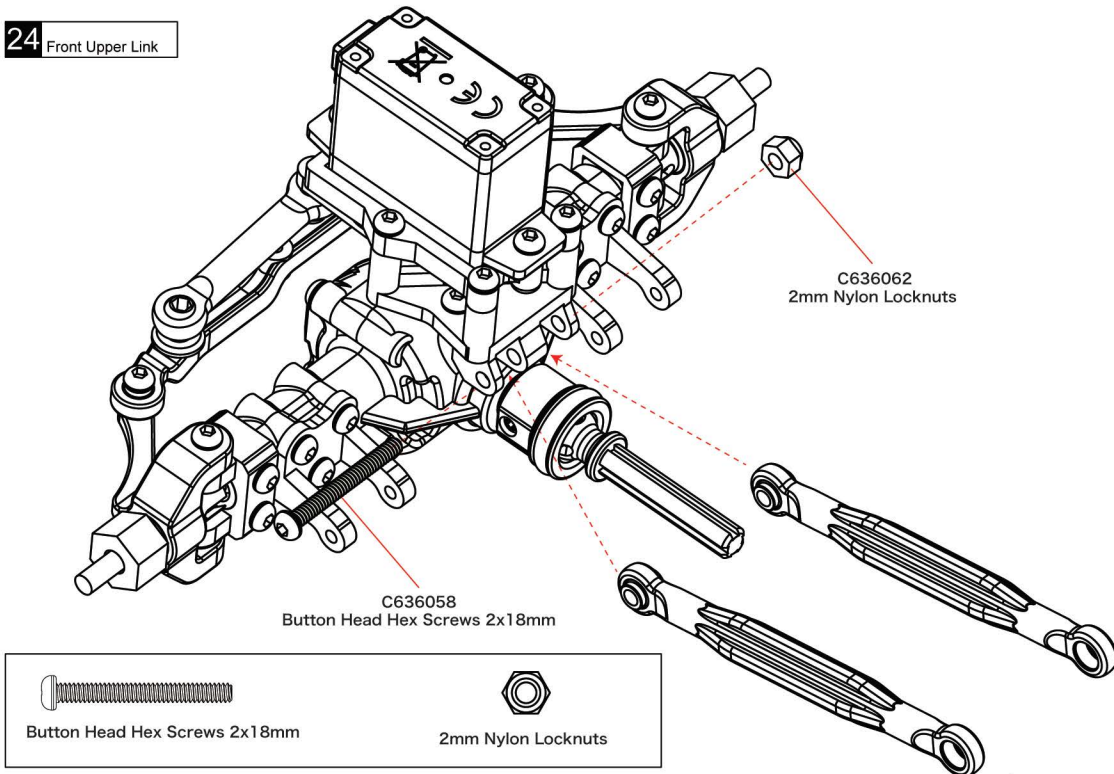
22 Center Gear Box Installation



23 Upper&Lower Link

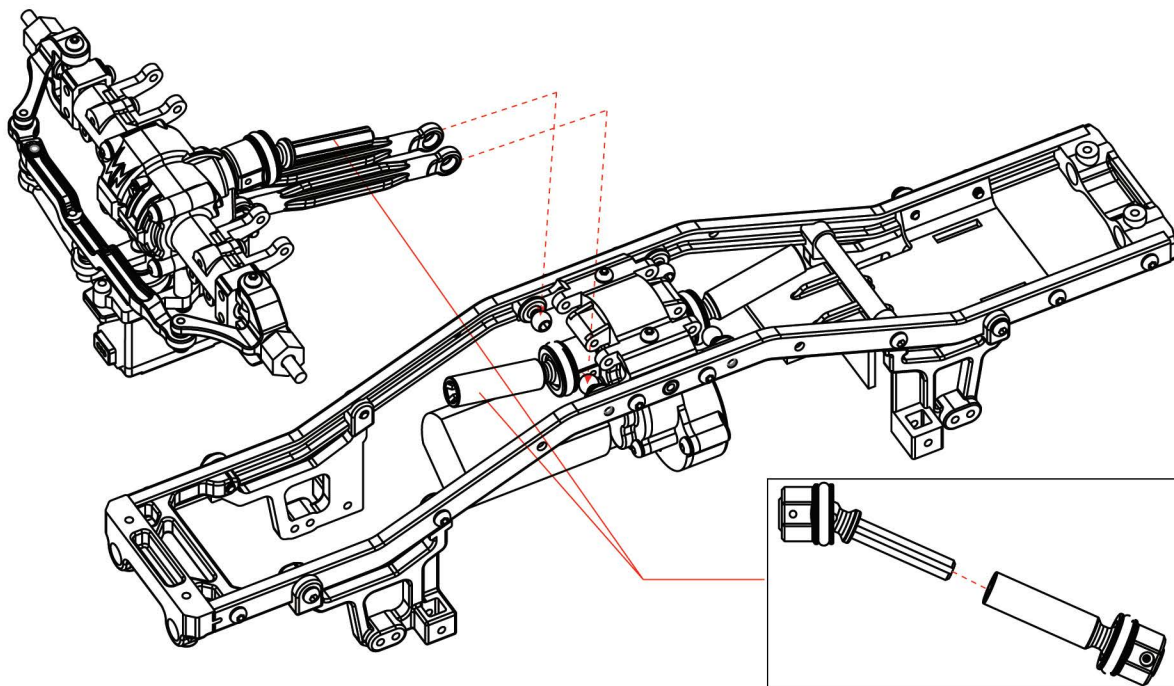


24 Front Upper Link

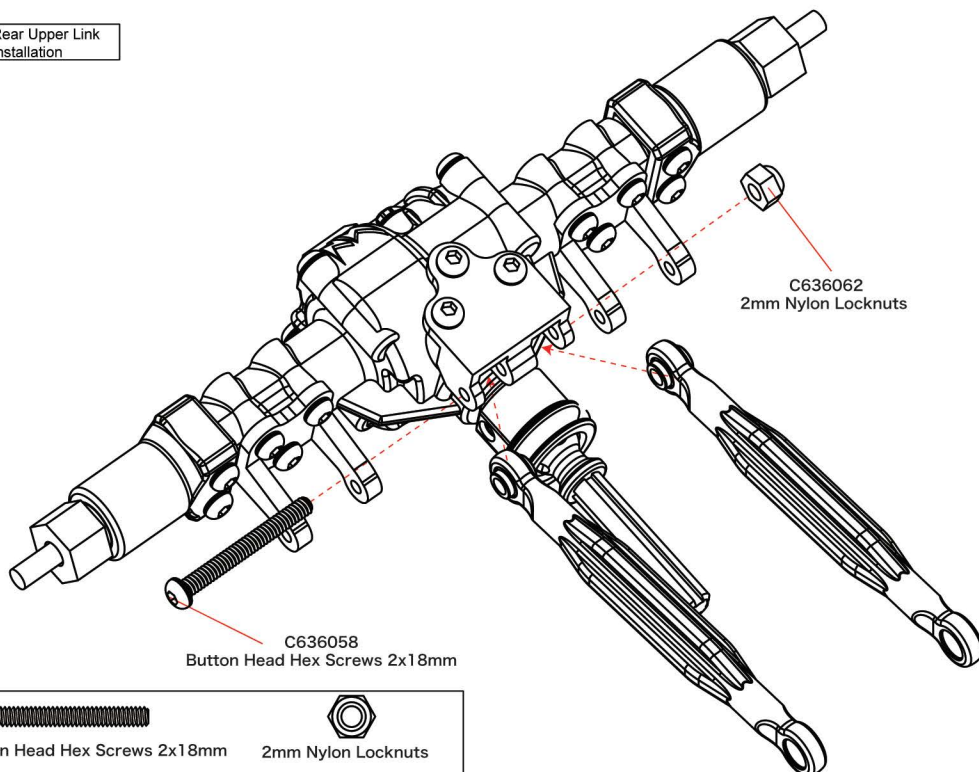


ASSEMBLY STEPS

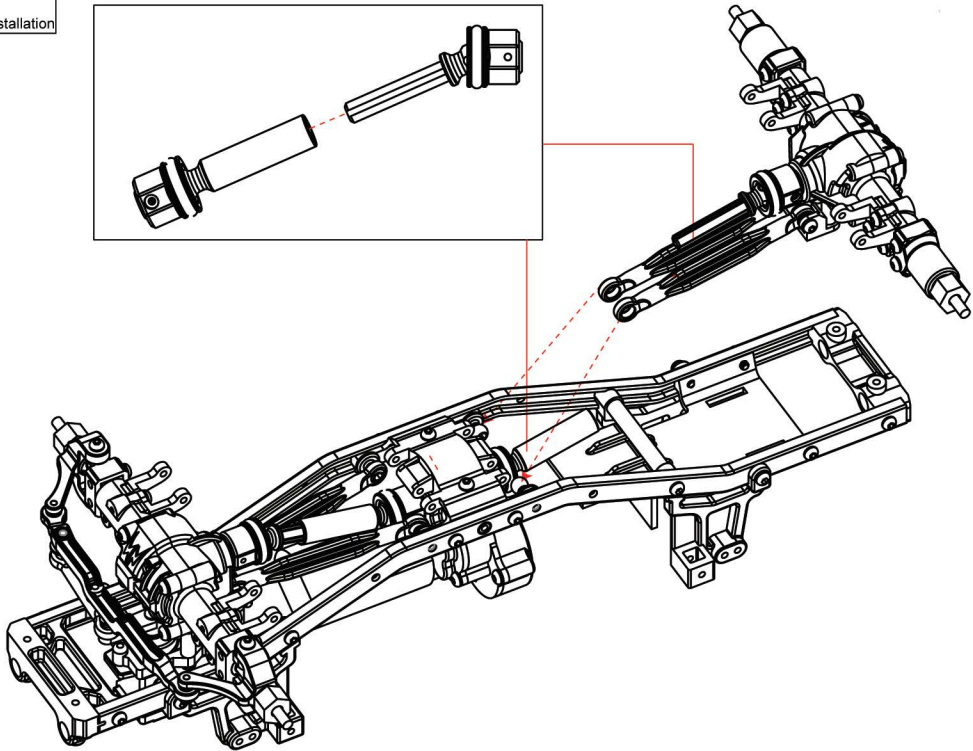
25 Front Set Installation



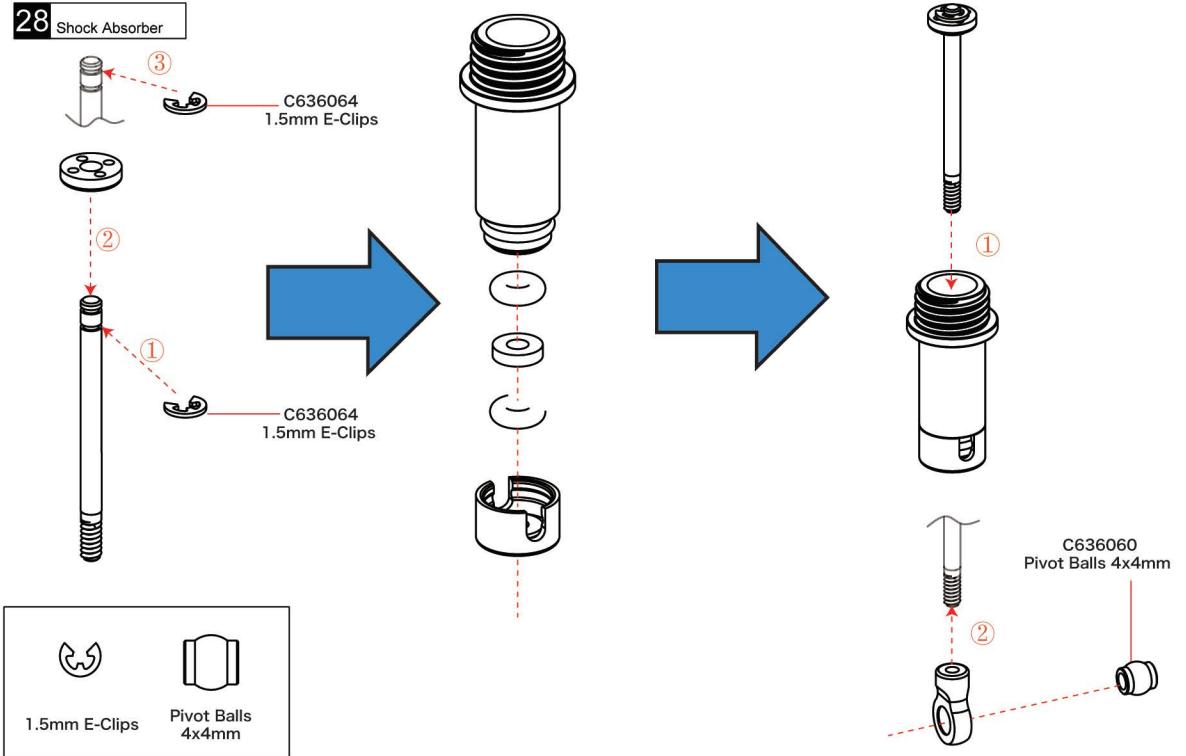
26 Rear Upper Link Installation



27 Rear Set Installation

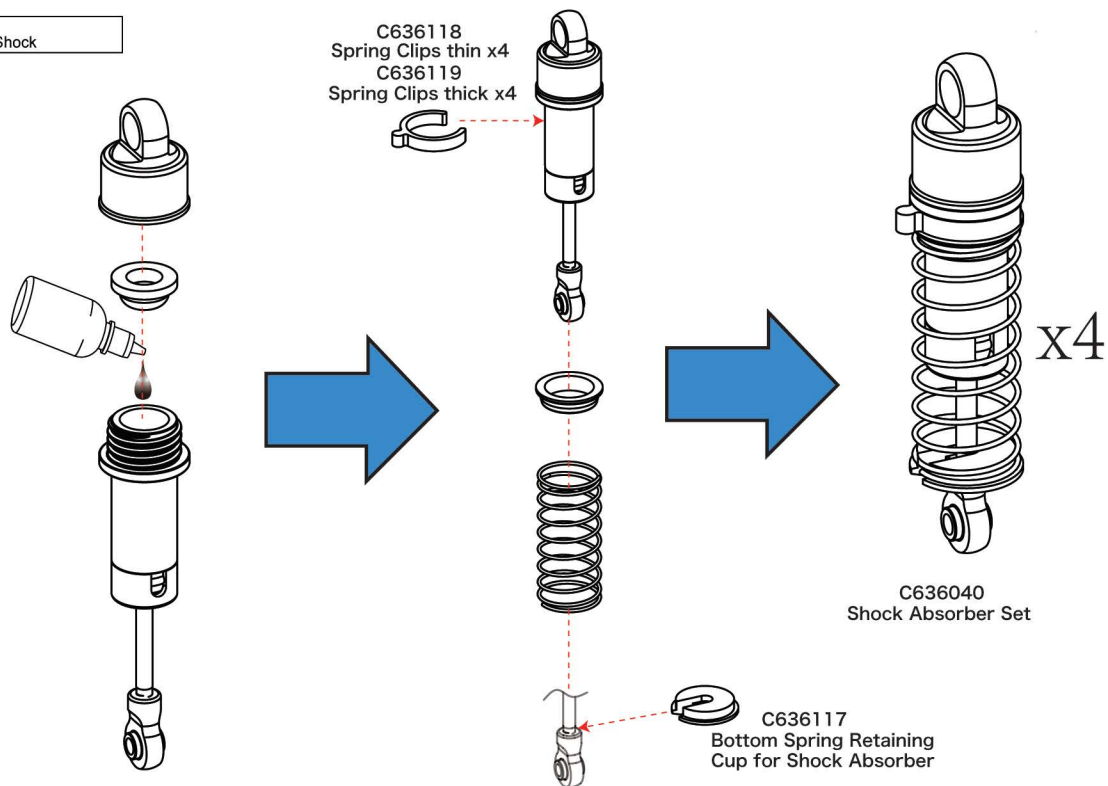


28 Shock Absorber

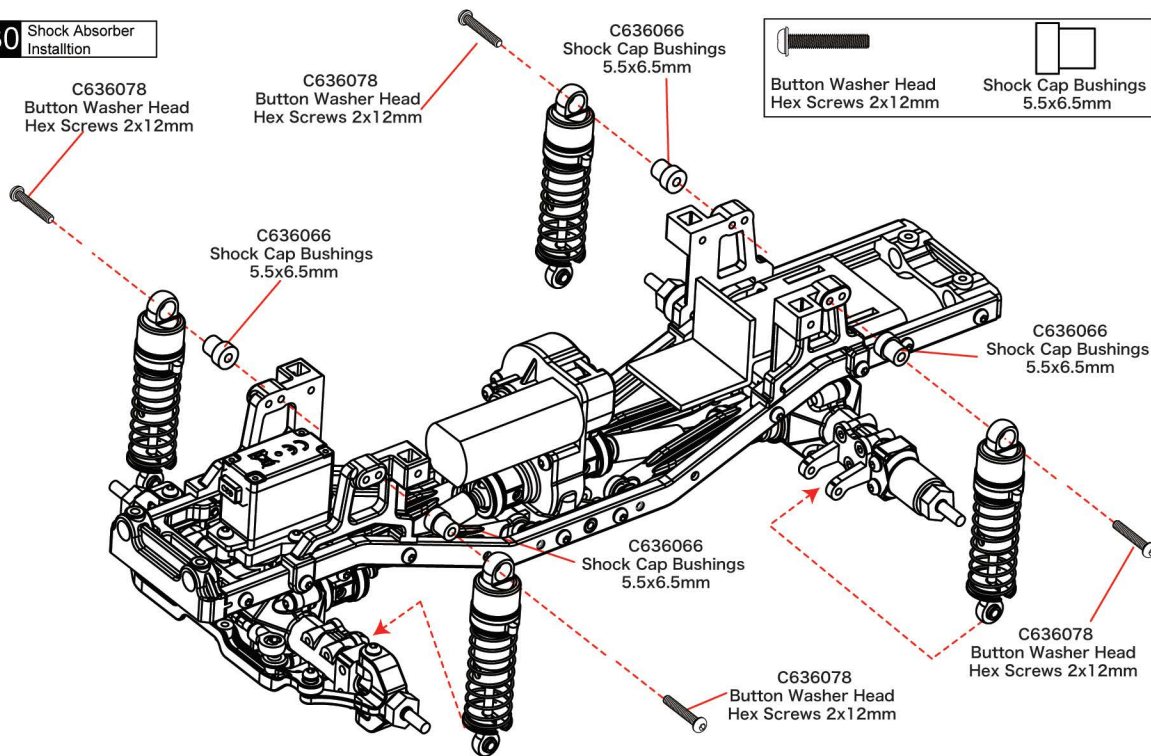


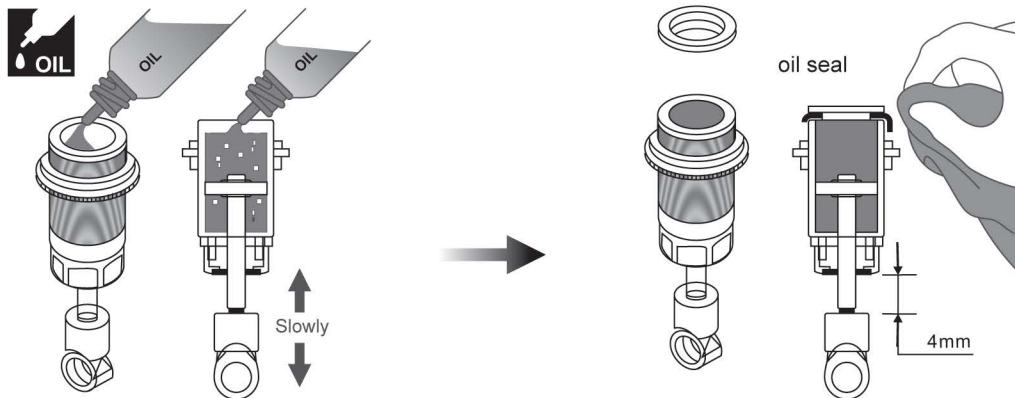
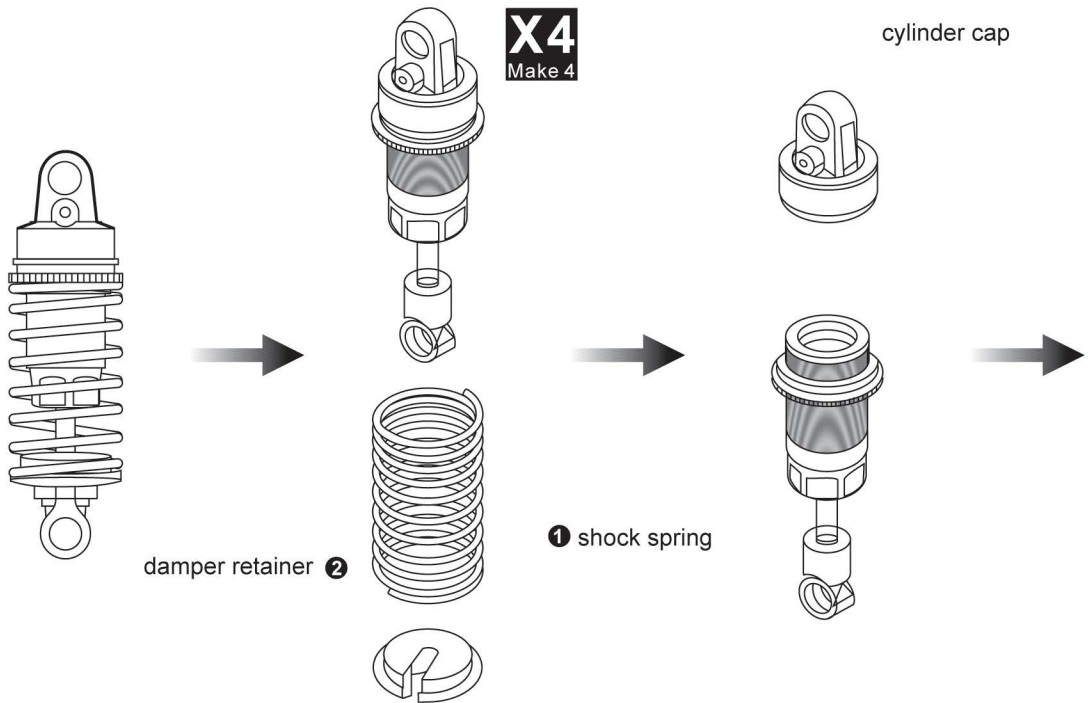
ASSEMBLY STEPS

29 Shock



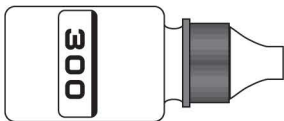
30 Shock Absorber Installation





Pull down piston and pour oil into cylinder. Remove air bubbles by slowly moving piston up and down.

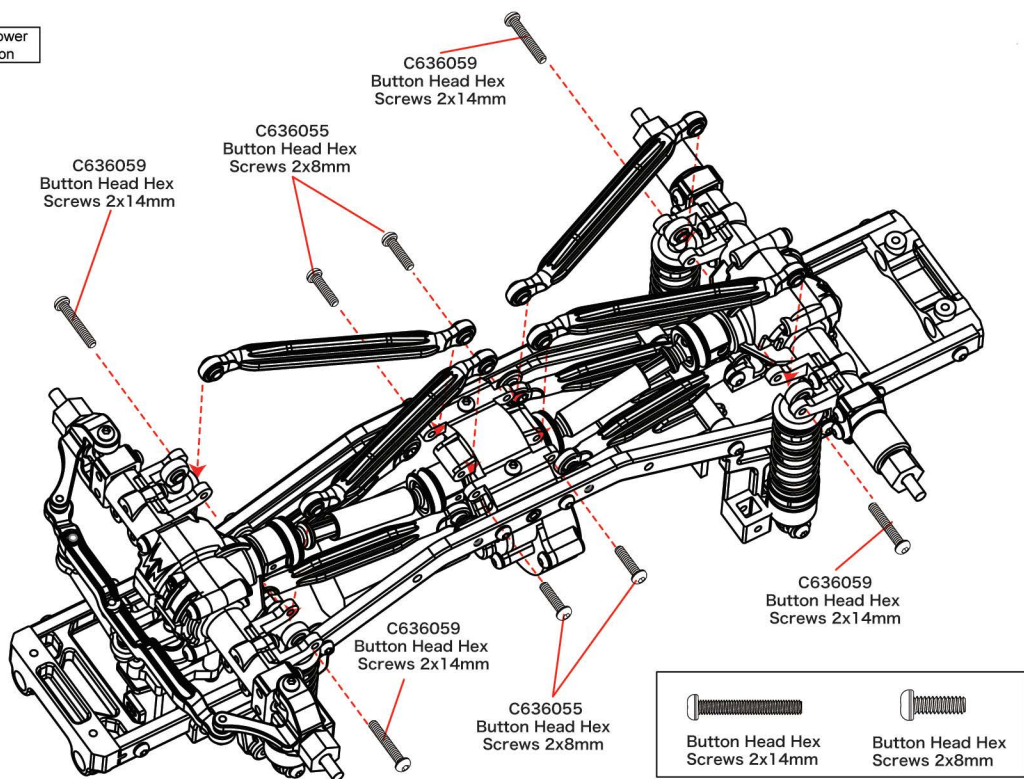
Pull down piston rod 4mm, attach oil seal and absorb oil overflow with tissue paper.



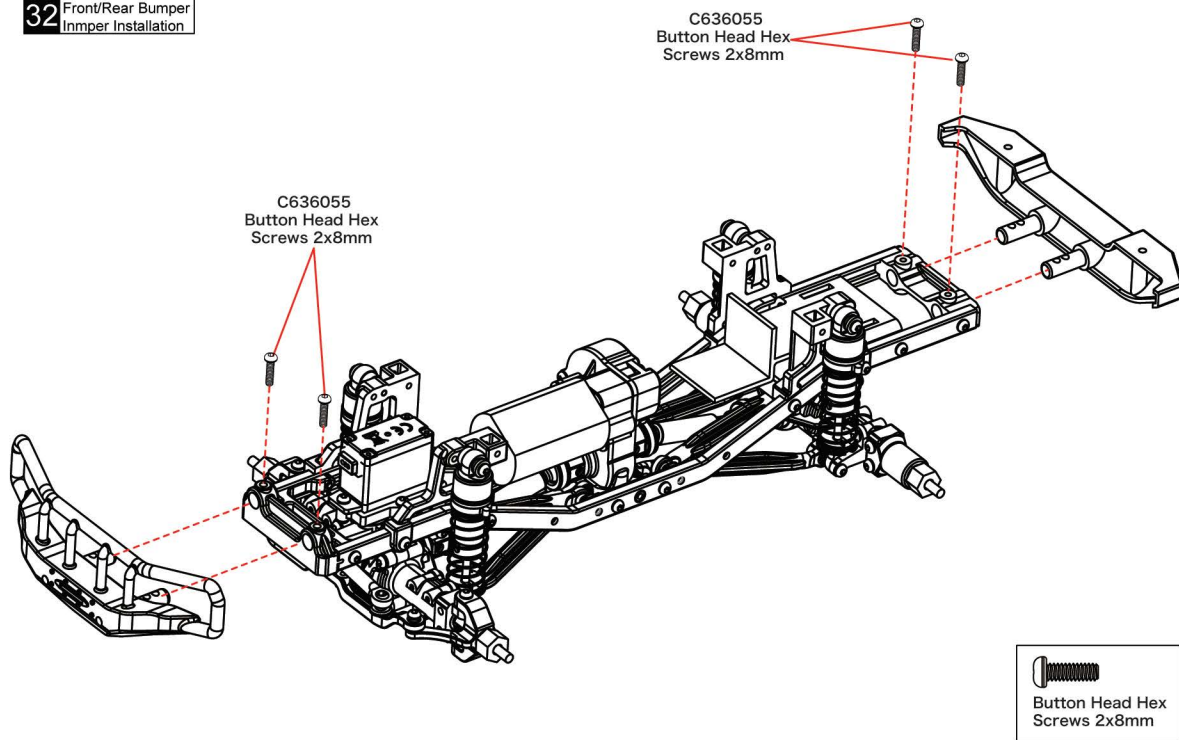
* The Dampers come supplied filled with oil, so you only need to follow the instructions below for maintenance, or to change the viscosity (weight) of oil.

ASSEMBLY STEPS


31 Front/Rear Lower Link Installation

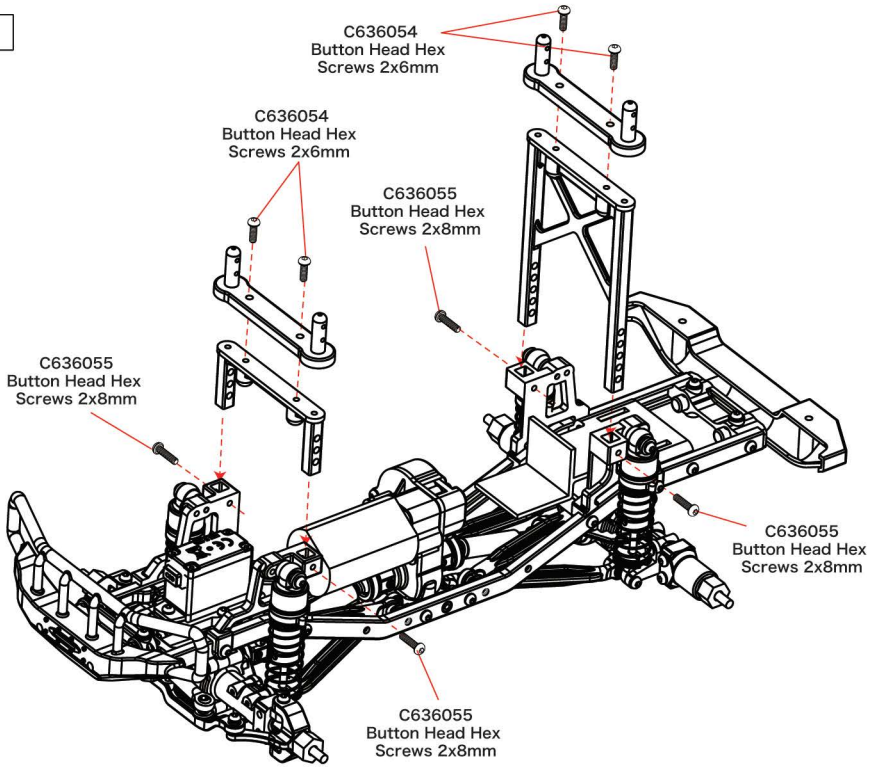


32 Front/Rear Bumper Inmpor Installation



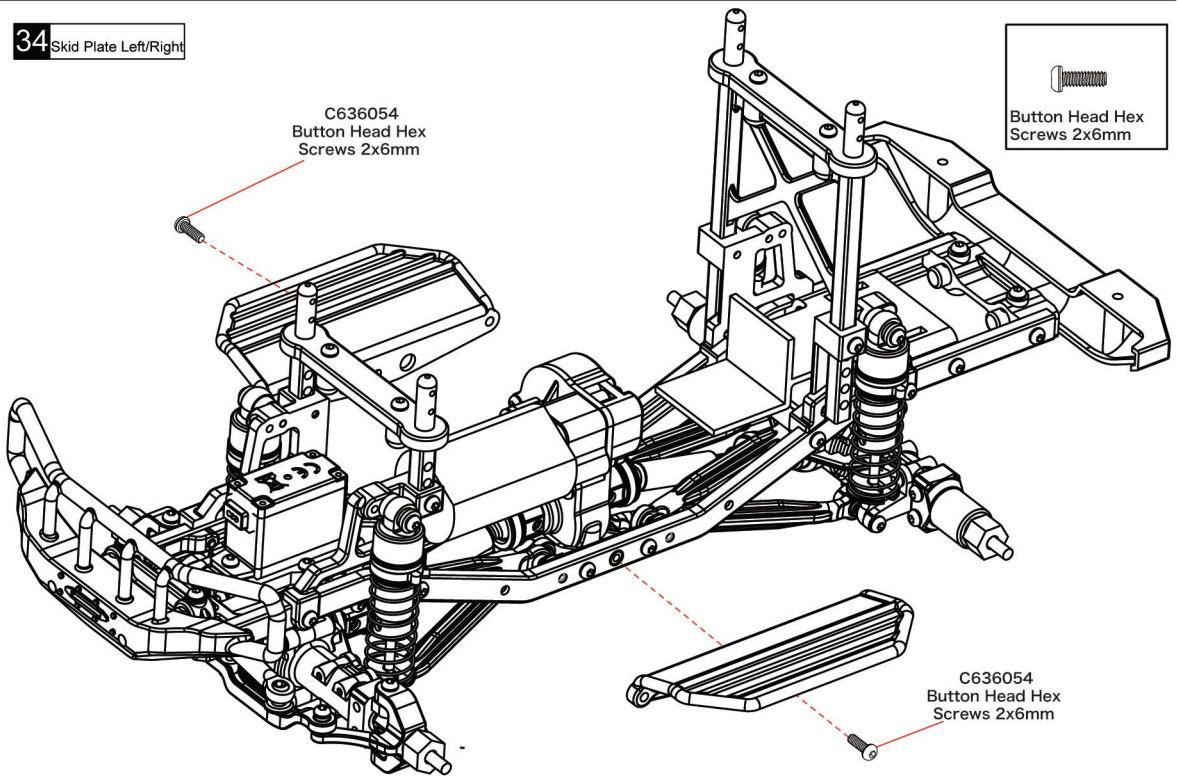
33 Front/Rear Body Posts

-  Button Head Hex Screws 2x6mm (8)
-  Button Head Hex Screws 2x8mm (8)



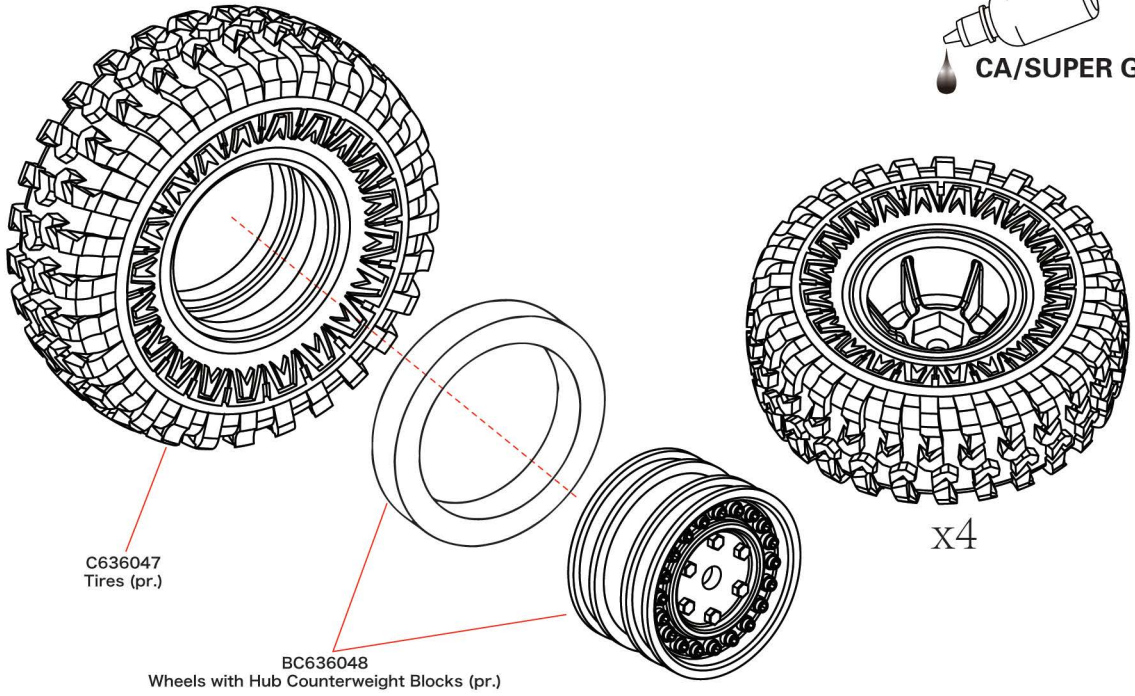
34 Skid Plate Left/Right

-  Button Head Hex Screws 2x6mm

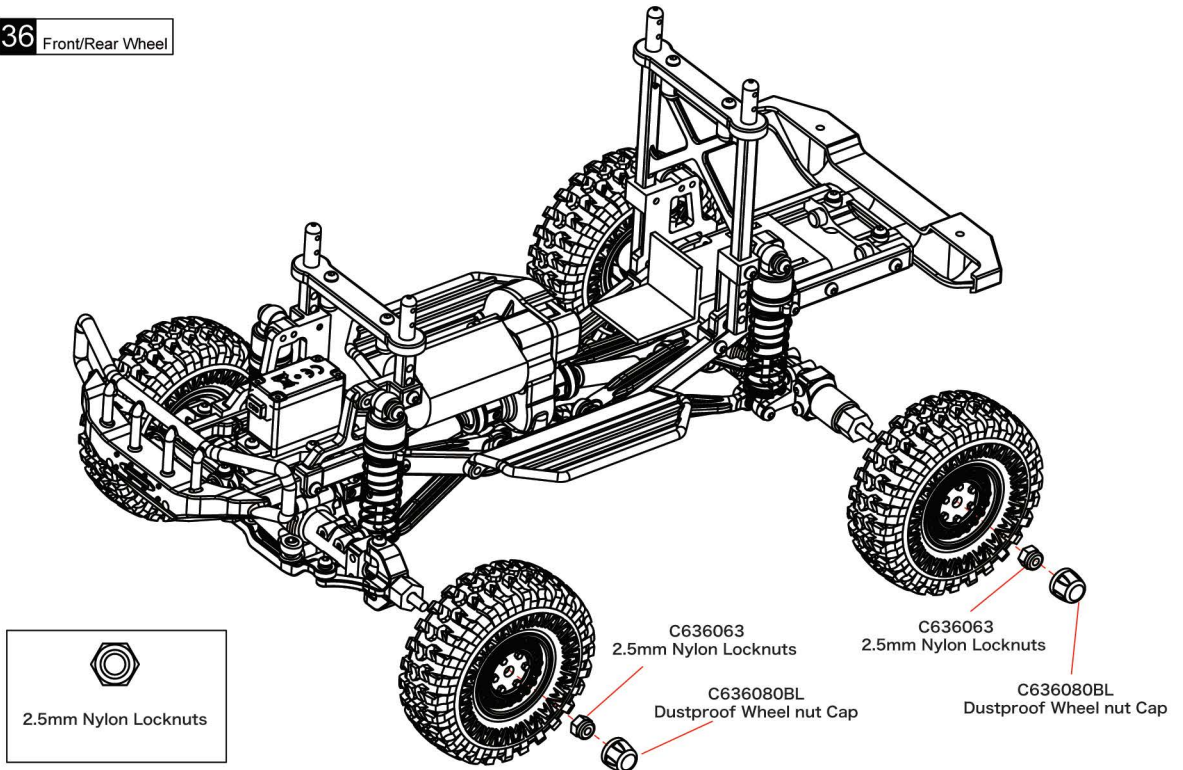


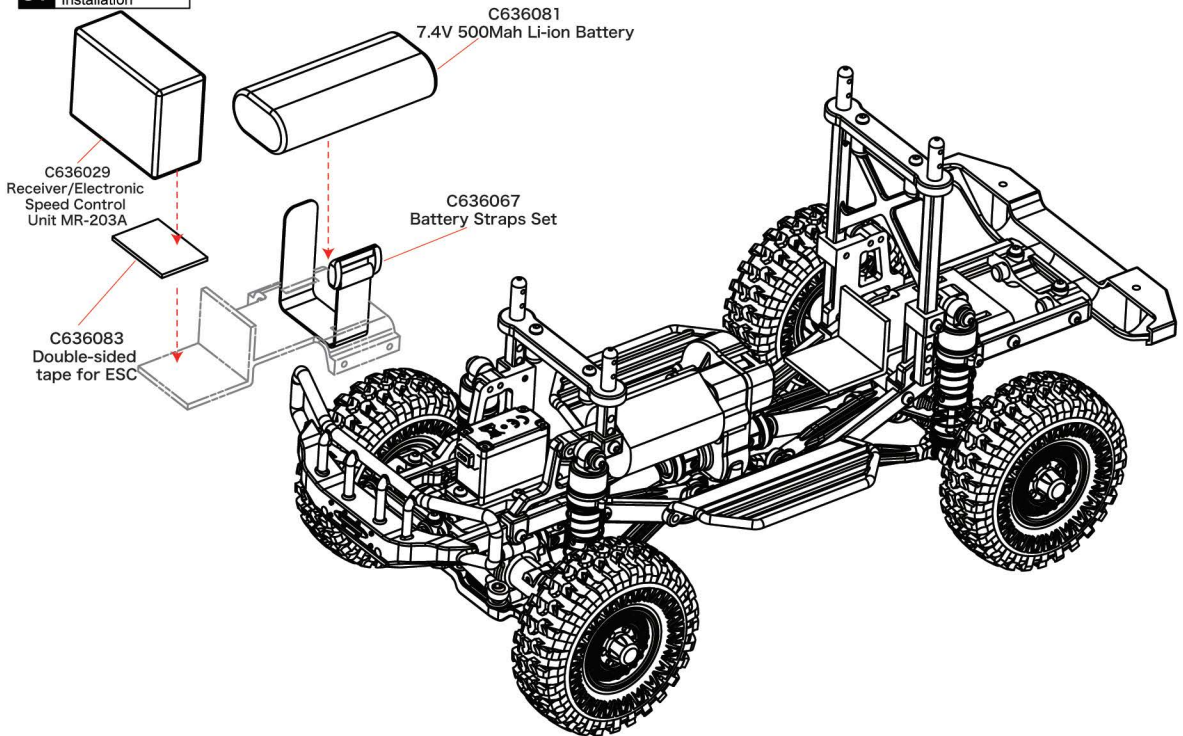
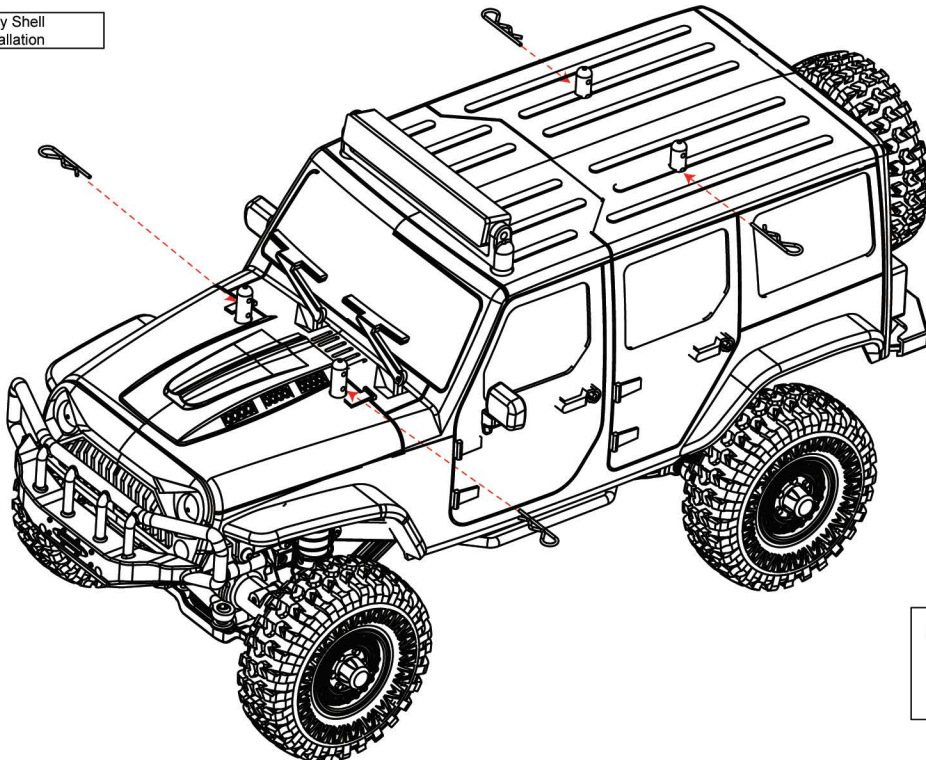
ASSEMBLY STEPS

35 Front/Rear Wheel



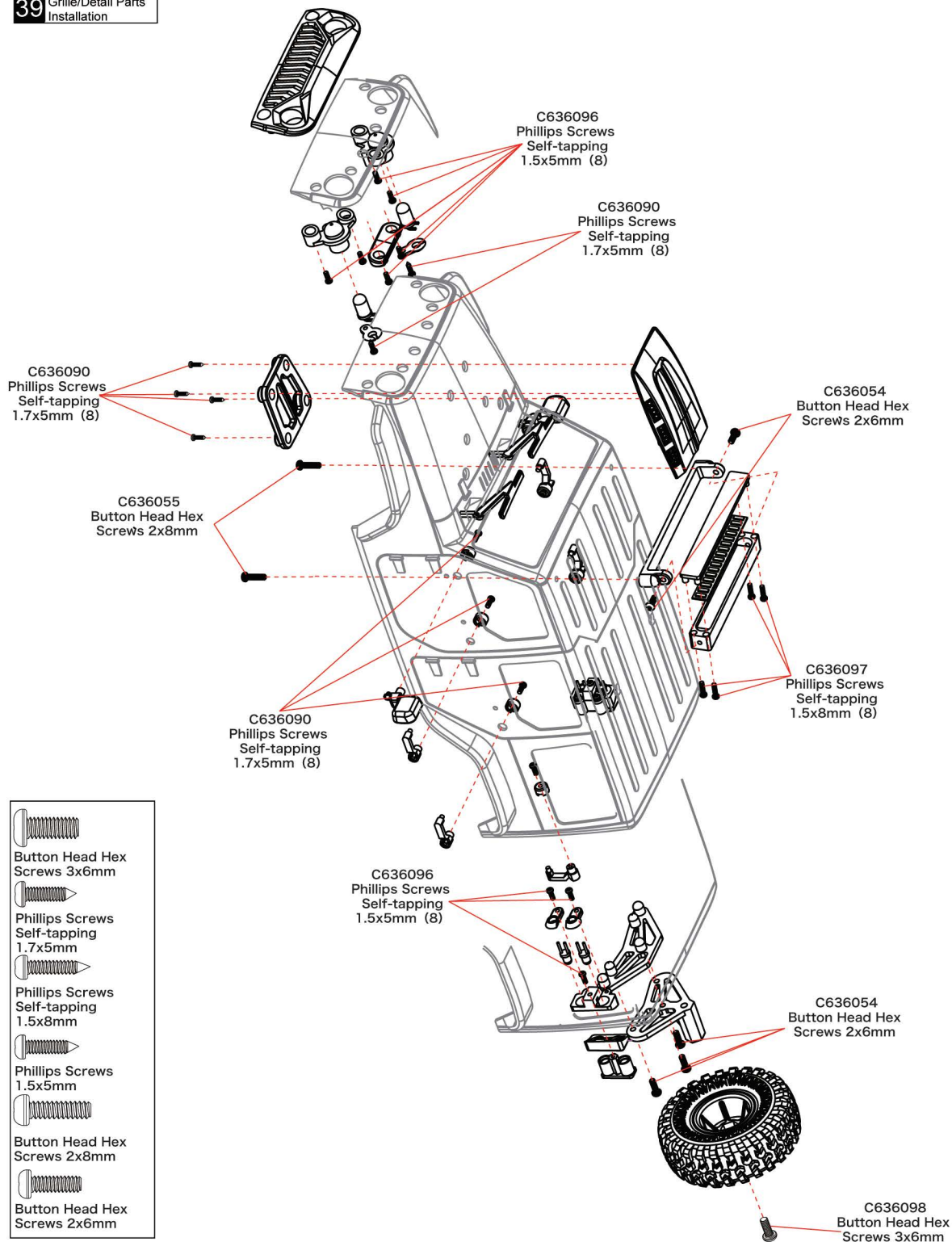
36 Front/Rear Wheel



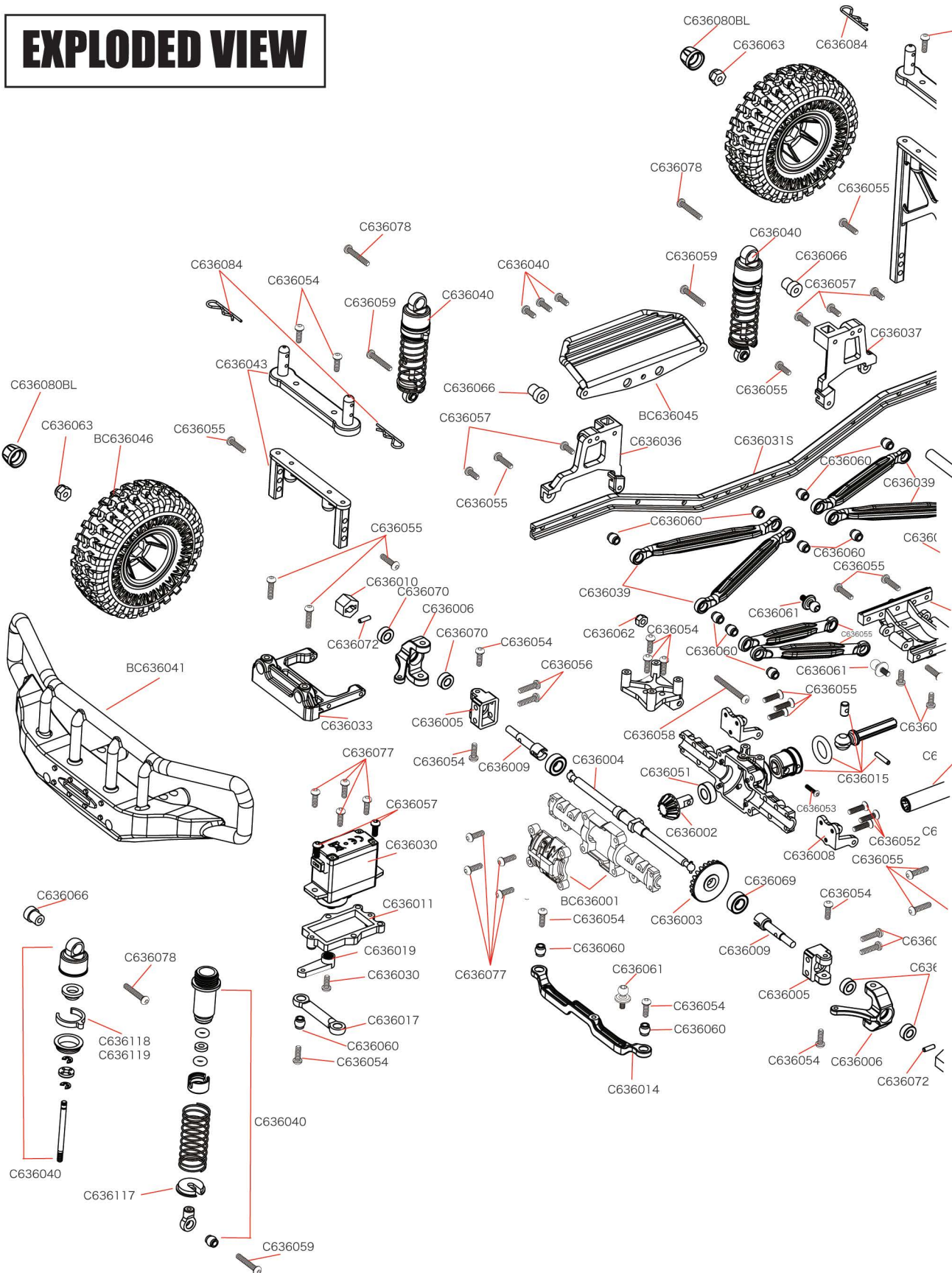
37 Receiver/Battery Installation**38** Body Shell Installation

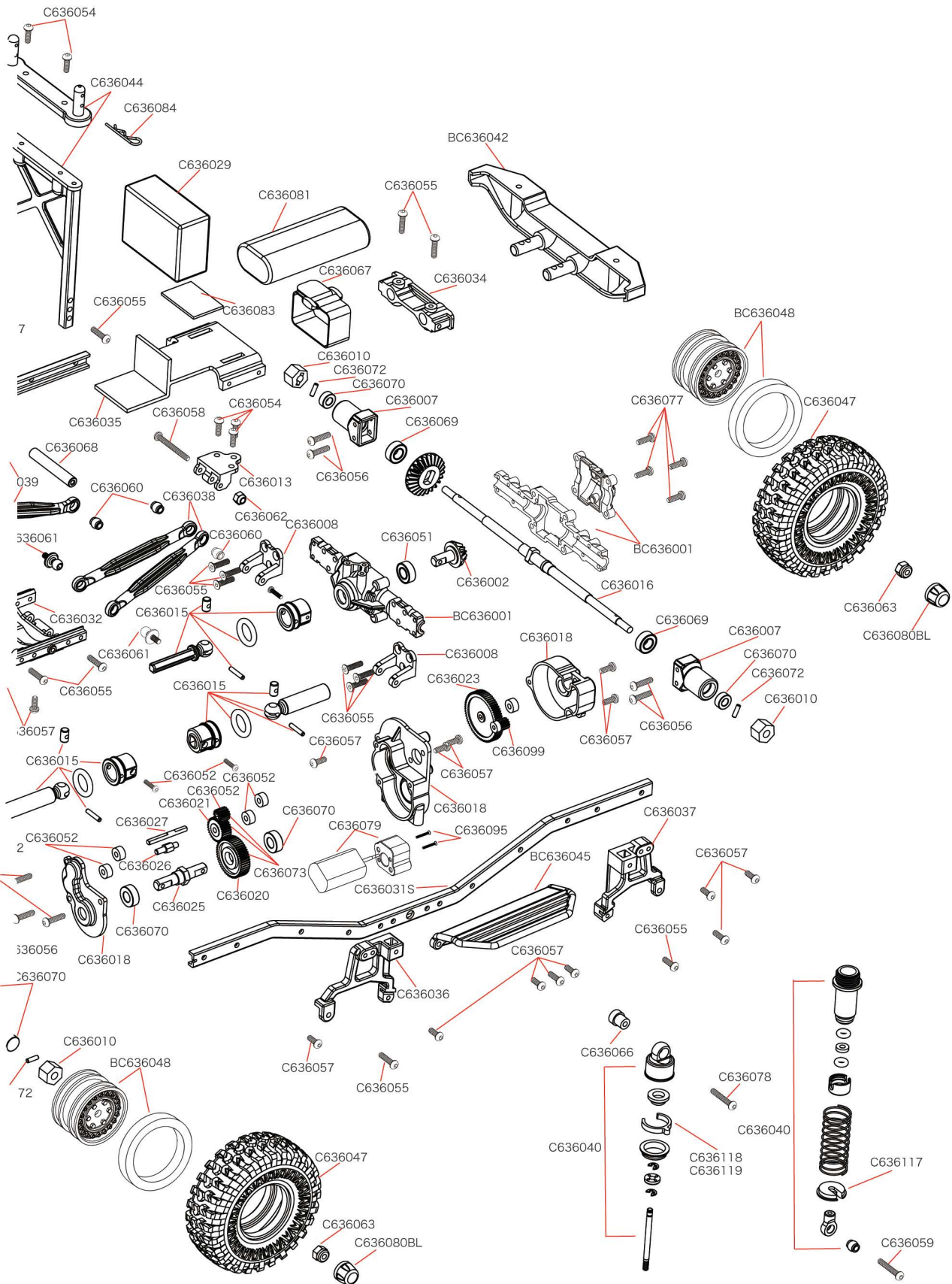
ASSEMBLY STEPS

39 Grille/Detail Parts Installation


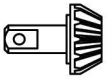

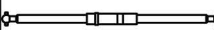
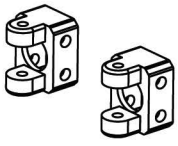

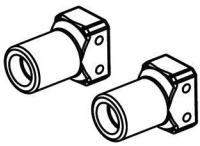
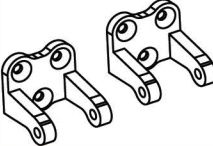
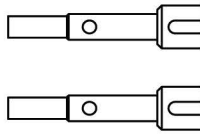
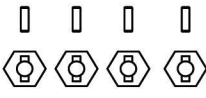
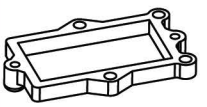
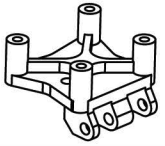
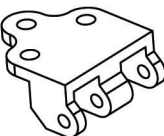

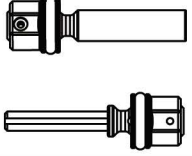

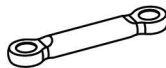
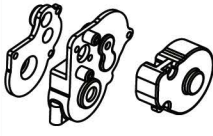
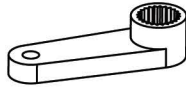


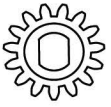
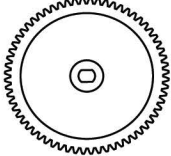

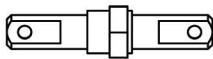
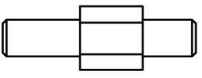
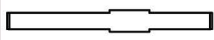
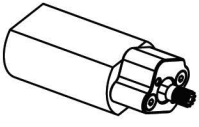
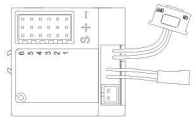
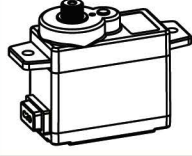


EXPLODED VIEW





Parts list 1

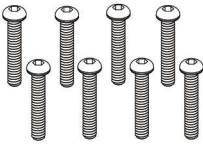
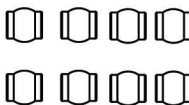
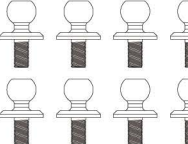



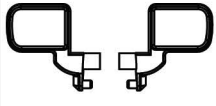
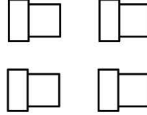
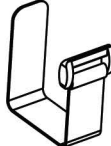

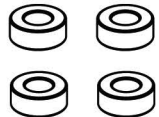
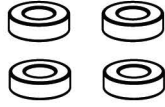





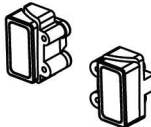
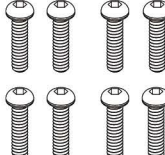
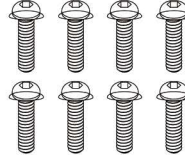

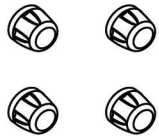
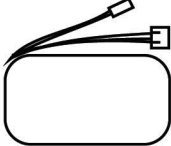



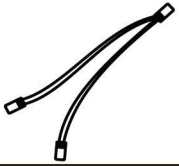
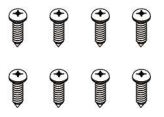

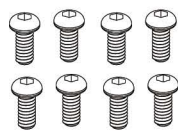
<p>BC636001</p>  <p>Axle Housing</p>	<p>C636002</p>  <p>Pinion Gear 12T</p>	<p>C636003</p>  <p>Bevel Gear 24T</p>	<p>C636004</p>  <p>Front Axle Shaft</p>	<p>C636005</p>  <p>C Hub</p>
<p>C636006</p>  <p>Steering Knuckle Arm</p>	<p>C636007</p>  <p>Rear Axle Carrier</p>	<p>C636008</p>  <p>Lower Shock Mount</p>	<p>C636009</p>  <p>Front Stub Axle</p>	<p>C636010</p>  <p>Drive Hex 7x3x5mm with Pins 1.5x5mm (4)</p>
<p>C636011</p>  <p>Servo Mount</p>	<p>C636012</p>  <p>Servo Mount Plate</p>	<p>C636013</p>  <p>Rear Link Mount</p>	<p>C636014</p>  <p>Steering link (assembled with pivot balls)</p>	<p>C636015</p>  <p>Front Center Drive Shaft Set</p>
<p>C636016</p>  <p>Rear Center Drive Shaft Set</p>	<p>C636017</p>  <p>Steering Tie Rod</p>	<p>C636018</p>  <p>Center Differential Gear Box Case 3 pcs(without gears)</p>	<p>C636019</p>  <p>Servo Arm</p>	<p>C636020</p>  <p>50T Main Differential Gear</p>
<p>C636021</p>  <p>30T Idler Gear</p>	<p>C636022</p>  <p>15T Input Gear</p>	<p>C636023</p>  <p>Spur Gear 64T</p>	<p>C636099</p>  <p>Motor Pinion Gear 12T for 180 Motor</p>	<p>C636025</p>  <p>Main Diff Gear Shaft</p>
<p>C636026</p>  <p>Idler Gear Shaft</p>	<p>C636027</p>  <p>Input Gear Shaft</p>	<p>C636079</p>  <p>180 Brushed Motor and motor mount</p>	<p>C636029</p>  <p>Receiver/Electronic Speed Control Unit MR-203A</p>	<p>C636030</p>  <p>Steering Servo</p>

PARTS LIST

Parts list 2




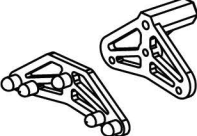
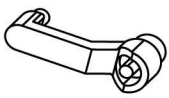

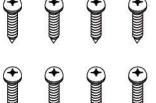







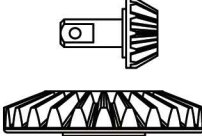
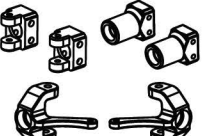
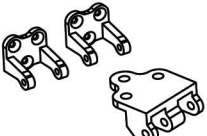
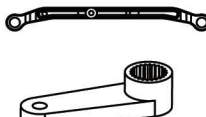
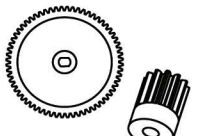
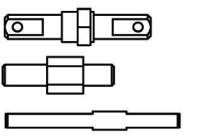
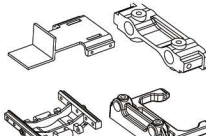

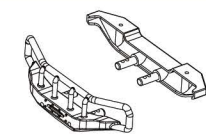
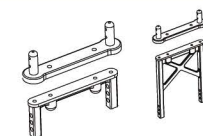
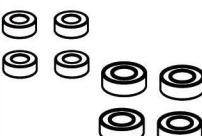
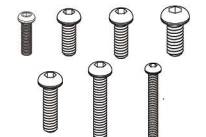

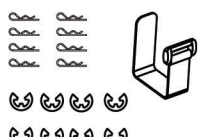
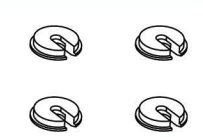

C636031S 	C636032 	C636033 	C636034 	C636035
Main Chassis Rails, Steel (L&R)	Skidplate/ lower gear cover	Front Bumper Mount	Rear Bumper Mount	Battery/RX Mounting Tray
C636036 	C636037 	C636038 	C636039 	C636040
Front Shock Tower	Rear Shock Tower	Upper Link(2)	Lower Link(2)	Shock Absorber Set (2)
BC636041 	BC636042 	C636043 	C636044 	BC636045
Front Bumper Set	Rear Bumper Set	Front Body Post Set	Rear Body Post Set	Skid Plates (left & right)
BC636046 	C636047 	BC636048 	C636091 	BC636050
Tires and Wheels, Mounted and Glued (pr.)	Tires (pr.)	Wheels with Hub Counterweight Blocks (pr.)	2.4Ghz 3ch Full Function Radio	Body Shell Set(Clear) w/F & R grille w/o lamps
BC636050-OR 	BC636050B 	C636051 	C636052 	C636053
Body Shell Set(Orange) w/F & R grille w/o lamps	Body Shell Set(Blue) w/F & R grille w/o lamps	Ball Bearings 4x8x3mm (4)	Bushing 2x5x2.5mm (4)	Button Head Hex Screws 1.4x7mm (8)
C636054 	C636055 	C636056 	C636057 	C636058
Button Head Hex Screws 2x6mm (8)	Button Head Hex Screws 2x8mm (8)	Button Head Hex Screws 2x9mm(8)	Button Head Hex Screws 2x5mm(8)	Button Head Hex Screws 2x18mm(8)

Parts list 3

<p>C636059</p>  <p>Button Head Hex Screws 2x14mm(8)</p>	<p>C636060</p>  <p>Pivot Balls 4x4mm (8)</p>	<p>C636061</p>  <p>Ball Studs M2 (8)</p>	<p>C636062</p>  <p>2mm Nylon Locknuts (8)</p>	<p>C636063</p>  <p>2.5mm Nylon Locknuts (8)</p>
<p>C636064</p>  <p>1.5mm E-Clips (8)</p>	<p>BC636065</p>  <p>Rearview Mirrors pr (L & R)</p>	<p>C636066</p>  <p>Shock Cap Bushings 5.5x6.5mm(8)</p>	<p>C636067</p>  <p>Battery Straps Set</p>	<p>C636068</p>  <p>Transverse Stiffener</p>
<p>C636069</p>  <p>Bushing 5x8x3mm (4)</p>	<p>C636070</p>  <p>Bushing 3x6x2.5mm (4)</p>	<p>C636071</p>  <p>Roof Light Bar & Mount with lamps</p>	<p>C636072</p>  <p>Pins 1.5x5mm (4)</p>	<p>C636073</p>  <p>50T Main Differential Gear + 30T Idler Gear + 15T Input Gear</p>
<p>C636074</p>  <p>Front & Rear Light set</p>	<p>BC636075</p>  <p>Front Grille</p>	<p>BC636076</p>  <p>Rear Grille</p>	<p>C636077</p>  <p>Button Head Hex Screws 2x10mm (8)</p>	<p>C636078</p>  <p>Button Washer Head Hex Screws 2x12mm (8)</p>
<p>C636095</p>  <p>Countersunk Head Hex Screws 2x14mm</p>	<p>C636080BL</p>  <p>Dustproof Wheel nut Cap (4)</p>	<p>C636081</p>  <p>7.4V 700Mah Li-ion Battery</p>	<p>C636082</p>  <p>USB Charger</p>	<p>C636083</p>  <p>Double-sided tape for ESC</p>
<p>C636084</p>  <p>Body Clips(8)</p>	<p>C636085</p>  <p>Y-Harness</p>	<p>C636086</p>  <p>Phillips Screws Self-tapping 1.5x4mm(8)</p>	<p>C636087</p>  <p>Phillips Screws 1.5x6mm(8)</p>	<p>C636088</p>  <p>Button Head Hex Screws 2x4mm(8)</p>


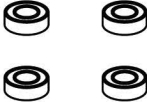
PARTS LIST

Parts list 4

<p>C636089</p>  <p>Phillips Screws Self-tapping 1.7x4mm (8)</p>	<p>C636090</p>  <p>Phillips Screws Self-tapping 1.7x5mm (8)</p>	<p>C636092</p>  <p>Engine Cover Grille</p>	<p>C636093</p>  <p>Spare Tire Rack</p>	<p>C636094</p>  <p>Door Handles(4)</p>
<p>C636096</p>  <p>Phillips Screws Self-tapping 1.5x5mm (8)</p>	<p>C636097</p>  <p>Phillips Screws Self-tapping 1.5x8mm (8)</p>	<p>C636098</p>  <p>Button Head Hex Screws 3x6mm(8)</p>	<p>BC636060Y</p>  <p>Body Shell Set(Yellow) w/F & R grille w/o lamps</p>	<p>BC636050R</p>  <p>Body Shell Set(Red) w/F & R grille w/o lamps</p>
<p>BC636050BL</p>  <p>Body Shell Set(Black) w/F & R grille w/o lamps</p>	<p>BC636050W</p>  <p>Body Shell Set(White) w/F & R grille w/o lamps</p>	<p>BC636050G</p>  <p>Body Shell Set(Green) w/F & R grille w/o lamps</p>	<p>BC636050GR</p>  <p>Body Shell Set(Grey) w/F & R grille w/o lamps</p>	<p>C636100</p>  <p>PHTC636002,PHTC636003</p>
<p>C636101</p>  <p>PHTC636005,PHTC636006, PHTC636007</p>	<p>C636102</p>  <p>PHTC636008,PHTC636013</p>	<p>C636103</p>  <p>PHTC636014,PHTC636019</p>	<p>C636104</p>  <p>PHTC636023,PHTC636099</p>	<p>C636105</p>  <p>PHTC636025,PHTC636026, PHTC636027</p>
<p>C636106</p>  <p>PHTC636032,PHTC636033, PHTC636034,PHTC636035</p>	<p>C636107</p>  <p>PHTC636038,PHTC636039</p>	<p>C636108</p>  <p>PHTC636041,PHTC636042</p>	<p>C636109</p>  <p>PHTC636043,PHTC636044</p>	<p>C636110</p>  <p>PHTC636051,PHTC636052</p>
<p>C636111</p>  <p>PHTC636053,PHTC636054,PHTC636055, PHTC636056,PHTC636057,PHTC636058, PHTC636059</p>	<p>C636112</p>  <p>PHTC636062,PHTC636063</p>	<p>C636113</p>  <p>PHTC636072,PHTC636084, PHTC636064</p>	<p>C636117</p>  <p>Bottom Spring Retaining Cup for Shock Absorber (4)</p>	<p>C636118</p>  <p>Spring Clips thin x4</p>

PARTS LIST

Parts list 5

C636119	C636120
	
Spring Clips thick x4	Bushings 4x8x3mm x4

Part#	Description
BC636001	Axle Housing
C636002	Pinion Gear 12T
C636003	Bevel Gear 24T
C636004	Front Axle Shaft
C636005	C Hub
C636006	Steering Knuckle Arm
C636007	Rear Axle Carrier
C636008	Lower Shock Mount
C636009	Front Stub Axle
C636010	Drive Hex 7x3x5mm with Pins 1.5x5mm (4)
C636011	Servo Mount
C636012	Servo Mount Plate
C636013	Rear Link Mount
C636014	Steering link(assembled with pivot balls)
C636015	Front Center Drive Shaft Set
C636016	Rear Center Drive Shaft Set
C636017	Steering Tie Rod
C636018	Center Differential Gear Box Case 3 pcs(without gears)
C636019	Servo Arm
C636020	50T Main Differential Gear
C636021	30T Idler Gear
C636022	15T Input Gear
C636023	Spur Gear 64T
C636025	Main Diff Gear Shaft
C636026	Idler Gear Shaft
C636027	Input Gear Shaft
C636029	Receiver/Electronic Speed Control Unit MR-203A
C636030	Steering Servo
C636031S	Main Chassis Rails, Steel (L&R)
C636032	Skidplate/ lower gear cover
C636033	Front Bumper Mount
C636034	Rear Bumper Mount
C636035	Battery/RX Mounting Tray
C636036	Front Shock Tower
C636037	Rear Shock Tower
C636038	Upper Link(2)
C636039	Lower Link(2)
C636040	Shock Absorber Set (2)
BC636041	Front Bumper Set
BC636042	Rear Bumper Set
C636043	Front Body Post Set
C636044	Rear Body Post Set
BC636045	Skid Plates (left & right)
BC636046	Tires and Wheels, Mounted and Glued (pr.)
C636047	Tires (pr.)
BC636048	Wheels with Hub Counterweight Blocks (pr.)

Part#	Description
C636051	Ball Bearings 4x8x3mm (4)
C636052	Bushing 2x5x2.5mm (4)
C636053	Button Head Hex Screws 1.4x7mm (8)
C636054	Button Head Hex Screws 2x6mm(8)
C636055	Button Head Hex Screws 2x8mm(8)
C636055	Button Head Hex Screws 2x9mm(8)
C636057	Button Head Hex Screws 2x5mm(8)
C636058	Button Head Hex Screws 2x18mm(8)
C636059	Button Head Hex Screws 2x14mm(8)
C636060	Pivot Balls 4x4mm (8)
C636061	Ball Studs M2 (8)
C636062	2mm Nylon Locknuts (8)
C636063	2.5mm Nylon Locknuts (8)
C636064	1.5mm E-Clips (8)
BC636065	Rearview Mirrors pr (L & R)
C636066	Shock Cap Bushings 5.5x6.5mm(4)
C636067	Battery Straps Set
C636068	Transverse Stiffener
C636069	Bushing 5x8x3mm (4)
C636070	Bushing 3x6x2.5mm (4)
C636071	Roof Light Bar & Mount with lamps
C636072	Pins 1.5x5mm (8)
C636073	50T Main Differential Gear + 30T Idler Gear + 15T Input Gear
C636074	Front& Rear Light set
BC636075	Front Grille
BC636076	Rear Grille
C636077	Button Head Hex Screws 2x10mm (8)
C636078	Button Washer Head Hex Screws 2x12mm (8)
C636079	180 Brushed Motor and motor mount
C636080BL	Dustproof Wheel nut Cap(4)
C636081	7.4V 700Mah Li-ion Battery
C636082	USB Charger
C636083	Double-sided tape for ESC
C636084	Body Clips(8)
C636085	Y-Harness
C636086	Phillips Screws Self-tapping 1.5x4mm(8)
C636087	Phillips Screws 1.5x6mm(8)
C636088	Button Head Hex Screws 2x4mm(8)
C636089	Phillips Screws Self-tapping 1.7x4mm (8)
C636090	Phillips Screws Self-tapping 1.7x5mm (8)
C636091	2.4Ghz 3ch Full Function Radio
C636092	Engine Cover Grille
C636093	Spare Tire Rack
C636094	Door Handles(4)
C636095	Countersunk Head Hex Screws 2x14mm

Part#	Description
C636096	Phillips Screws Self-tapping 1.5x5mm (8)
C636097	Phillips Screws Self-tapping 1.5x8mm (8)
C636098	Button Head Hex Screws 3x6mm(8)
C636099	Motor Pinion Gear 12T for 180 Motor
BC636050	Body Shell Set(Clear) w/F & R grille w/o lamps
BC636050-OR	Body Shell Set(Orange) w/F & R grille w/o lamps
BC636050B	Body Shell Set(Blue) w/F & R grille w/o lamps
BC636050Y	Body Shell Set(Yellow) w/F & R grille w/o lamps
BC636050R	Body Shell Set(Red) w/F & R grille w/o lamps
BC636050BL	Body Shell Set(Black) w/F & R grille w/o lamps
BC636050W	Body Shell Set(White) w/F & R grille w/o lamps
BC636050G	Body Shell Set(Green) w/F & R grille w/o lamps
BC636050GR	Body Shell Set(Grey)w/F & R grille w/o lamps
C636117	Bottom Spring Retaining Cup for Shock Absorber (4)
C636118	Spring Clips thin x4
C636119	Spring Clips thick x4
C636120	Bushings 4x8x3mm (4)

FCC Statement

FCC ID: XJ6MT-203A This device complies with part 15 of the FCC rules. Operation is subject to the following two conditions: (1) This device may not cause harmful interference, and (2) this device must accept any interference received, including interference that may cause undesired operation.



CAUTION: Changes or modifications not expressly approved by the party responsible for compliance could void the user's authority to operate the equipment.

This product contains a radio transmitter with wireless technology which has been tested and found to be compliant with the applicable regulations governing a radio transmitter in the 2.400GHz to 2.4835GHz frequency range. This equipment has been tested and found to comply with the limits for Part 15 of the FCC rules. These limits are designed to provide reasonable protection against harmful interference in a residential installation.

This equipment generates, uses and can radiate radio frequency energy and, if not installed and used in accordance with the instructions, may cause harmful interference to radio communications.

However, there is no guarantee that interference will not occur in a particular installation. If this equipment does cause harmful interference to radio or television reception, which can be determined by turning the equipment off and on, the user is encouraged to try to correct the interference by one or more of the following measures:

- Reorient or relocate the receiving antenna.
- Increase the separation between the equipment and receiver.
- Connect the equipment to an outlet on a circuit different from that to which the receiver is connected.
- Consult the dealer or an experienced radio/TV technician for help.



EU Compliance Statement: Shenzhen Doohan Industrial Co.,Ltd hereby declares that this product is in compliance with the essential requirements and other relevant provisions of the RED and EMC Directives.



Instructions for disposal of WEEE by users in the European Union

This product must not be disposed of with other waste. Instead, it is the user's responsibility to dispose of their waste equipment by handing it over to a designated collections point for the recycling of waste electrical and electronic equipment. The separate collection and recycling of your waste equipment at the time of disposal will help to conserve natural resources and ensure that it is recycled in a manner that protects human health and the environment. For more information about where you can drop off your waste equipment for recycling, please contact your local city office, your household waste disposal service or where you purchased the product.

WWW.PANDAHOBBY.COM



MODEL 1801
DESIGNED IN CALIFORNIA, MADE IN CHINA
4612 VISTA DEL MONTE, UNIT 9 SHERMAN OAKS, CA 91403, USA

EUROPE WAREHOUSE: UNIT 2, BELVUE IND EST, NORTHOLT, UB5 5HX, UK
AUSTRALIA WAREHOUSE: 51 ELLEMSEA CIRCUIT, LONSDALE, SOUTH AUSTRALIA
5160

COPYRIGHT@PANDA HOBBY 2018 ALL RIGHTS RESERVED



POWERED BY
DHRC
www.dhrchobby.com DOOHANRC EST 2006