

**ANTES DE COMENZAR, RECOPILE TODO EL MATERIAL DE APOYO PARA EL MONTAJE:** Instrucciones de montaje / ilustraciones paso a paso / planos y plantillas impresos a escala.

**PREPARACIÓN DEL MATERIAL:** Para poder identificar correctamente las piezas precortadas, antes de extraerlas de las planchas de madera, marque en ellas la misma numeración que aparece en la hoja "IP" (identificación de piezas), incluida en las instrucciones.

**INICIO DEL MONTAJE:** Con la ayuda de un cúter y procurando no colocar los dedos en la línea de corte, desprenda las piezas de las planchas eliminando los pequeños nervios que las sujetan. Seguidamente lije con suavidad las piezas con papel de lija de grano fino, para eliminar el repelo de las mismas. El orden numérico del paso a paso indica el orden de elaboración y colocación de las piezas. Es importante comprobar el ajuste de las piezas antes de pegarlas definitivamente.

**LISTONES Y VARILLAS:** Los modelos incorporan varios tipos de listones y varillas para elaborar las diferentes piezas. La lista de piezas proporciona información sobre el tipo de material y medidas. En algunos casos es conveniente ajustar las medidas sobre el propio modelo, conforme avanzamos en el montaje. De esta manera se consigue un mejor ajuste.

**PEGAMENTOS RECOMENDADOS:** Cola blanca o de carpintero. Para las uniones de piezas de madera y de todas aquellas piezas que no ofrezcan resistencia.

Pegamento rápido. Para piezas que sean difíciles de sostener y que necesiten un secado casi instantáneo.

Cola de contacto o de zapatero. Para todas aquellas piezas que se forren con chapas finas de madera o metal. En todos los casos, lea siempre las instrucciones de uso del fabricante.

**SERVICIO DE ATENCIÓN AL CLIENTE:** Para cualquier duda o información sobre el montaje de nuestros productos, puede contactar con nuestro Servicio Técnico en la dirección:

[www.occre.com](http://www.occre.com). Le atenderemos con mucho gusto.

**BEFORE STARTING, MAKE SURE YOU HAVE ALL THE SUPPORT MATERIAL FOR ASSEMBLING THE MODEL:**

Assembly Instructions / Step by step pictures / Plans and templates printed to scale.

**PREPARING THE MATERIAL:** In order to correctly identify the precut parts, before removing them from the wooden sheets, mark on them the same numbers that appear on the "IP"

(Part Identification) Sheet included with the instructions.

**STARTING THE ASSEMBLY:** Using a cutter, and making sure you do not put your fingers along the cutting line, remove the parts from the wooden sheets, eliminating the small sprues that hold them in place. In continuation smoothly sand down the parts, using fine grain sandpaper, to eliminate the pickup of the parts. The numerical order indicates the order in which the different parts must be made up and fitted.

**STRIPS AND RODS:** These models incorporate a variety of different types of strips and rods with which to make up the different parts of the kit. The list of parts proportions information on the type of material and measurements. In some cases it is advisable to adjust the measurements on the basis of the model itself, as assembly progresses. In this way you will achieve a better fit.

**RECOMMENDED GLUES:** White, or carpenter's glue: For joining pieces of wood together. Mainly used for gluing together the skeleton. Quick-drying glue. For parts that are difficult to hold in their final position and which need to set instantly. Recommended for fitting small parts. Contact or cobbler's glue. For gluing into place the parts that are covered with fine wood veneer to set instantly. In all cases, always follow the manufacturer's recommendations.

**CUSTOMER ATTENTION SERVICE:** In the case of whatsoever doubt or further information that you may require regarding the assembly of our products, please contact our Technical Service online at the address: [www.occre.com](http://www.occre.com). We will be delighted to attend to you.

**AVANT DE COMMENCER, VÉRIFIEZ TOUT LE MATÉRIEL DE SOUTIEN POUR LE MONTAGE:**

**PRÉPARATION DU MATÉRIEL:** Pour pouvoir identifier correctement les pièces prédécoupées, avant de les extraire des planches de bois, inscrivez sur elles la même numérotation qui apparaît sur la page « IP » (identification des pièces) comprise dans les instructions.

**DÉBUT DU MONTAGE:** À l'aide d'un cutter, et en essayant de ne pas poser les doigts sur la ligne de découpe, séparez les pièces des planches en éliminant les petits nerfs qui les retiennent. Puis poncez doucement les pièces à l'aide d'un papier de verre à grain fin, pour éliminer le contrefil. L'ordre numérique des étapes photographiques et des plans indique l'ordre d'élaboration et d'installation des pièces.

**LISTEAUX ET BAGUETTES:** Les modèles intègrent plusieurs types de listeaux et de baguettes destinés à confectionner les différentes pièces. La liste des pièces indique le type de matériau et les dimensions des pièces. Il est parfois recommandé d'ajuster les mesures sur le modèle lui-même, au fur et à mesure que nous avançons dans le montage. De cette manière, on obtient un meilleur réglage.

**COLLES RECOMMANDÉES:** Colle blanche ou de menuisier: Pour les unions de pièces en bois et de toutes les pièces qui n'offrent pas de résistance. Colle à séchage rapide: Pour les pièces qui sont difficiles à maintenir dans leur position et qui requièrent un séchage pratiquement instantané. Colle de contact ou de cordonnier: Pour toutes les pièces qui sont recouvertes de fines plaques de bois ou de métal. Dans tous les cas, lisez toujours les instructions d'utilisation du fabricant.

**SERVICE CLIENT:** Pour toute question ou information concernant le montage de nos produits, vous pouvez contacter notre Service Technique à l'adresse suivante: [www.occre.com](http://www.occre.com).

Nous répondrons avec plaisir à vos questions.

**PRIMA D'INIZIARE, RIUNIRE TUTTO IL MATERIALE D'APPOGGIO PER IL MONTAGGIO:** Istruzioni di montaggio, immagini passo per passo, planimetrie e modelli stampati in scala.

**PREPARAZIONE DEL MATERIALE:** Per poter identificare in maniera corretta i pezzi che sono stati ritagliati, prima di estrarli dai blister di legno occorre segnarli con la stessa numerazione che è indicata nella pagina "IP" (Identificazione pezzi) che si trova nelle istruzioni.

**INIZIO DEL MONTAGGIO:** Con l'aiuto di un cutter, ed evitando di collocare le dita lungo la linea di taglio, separare i pezzi dai blister eliminando i piccoli nervi che li mantengono attaccati.

In seguito, scartavetrare con delicatezza i pezzi, utilizzando una carta vetrata a grana fine, onde eliminare le sbavature degli stess. L'ordine numerico del passo per passo indica l'ordine d'elaborazione e di collocazione dei pezzi. È importante verificare che questi combacino bene, prima d'incollarli definitivamente.

**ASTE E BACCHETTE:** I modelli sono dotati di vari tipi di aste e bacchette per formare i diversi pezzi. L'elenco dei pezzi offre informazioni sul tipo di materiale e sulle misure. In alcuni casi è conveniente modificarne le misure quando sono sul modello, man mano che si avanza nel montaggio. In questo modo si potrà ottenere che combacino meglio.

**COLLE RACCOMANDATE:** Colla bianca o da falegname: Per unire tra loro i pezzi in legno e tutti quei pezzi che non presentino resistenza. Colla rapida: Per i pezzi difficili da sostenere e per i quali sia necessaria un'asciugatura quasi istantanea. Colla a contatto o da calzolaio: Per tutti quei pezzi che vengono rivestiti con fine lastre di legno o di metallo. In ogni caso, leggere sempre le istruzioni d'uso del produttore.

**SERVIZIO ASSISTENZA CLIENTE:** Per qualsiasi dubbio o informazione sul montaggio dei nostri prodotti, contattare il nostro Servizio Tecnico al seguente indirizzo: [www.occre.com](http://www.occre.com).

Seremo lieti di potervi aiutare.

**BEVOR SIE MIT DEM ZUSAMMENBAU BEGINNEN, LEGEN SIE SICH BITTE ALLE HILFSMATERIALIEN FÜR DIE MONTAGE BEREIT:**

Bastelanleitung / Maßstabgerechte Skizzen und Schablonen / Skizzen und Vorlagen.

**VORBEREITUNG DER MATERIALIEN:** Damit die einzelnen Bauteile korrekt zugeordnet werden können, empfehlen wir, auf den Holzplättchen vor dem Herausnehmen mit einem Bleistift die Nummer auf dem Blatt IP (Identifikation Teile) zu markieren.

**BEGINN DES ZUSAMMENBAUS:** Die Teile mit einem Schneidwerkzeug (Cutter) herauslösen und die kleinen Befestigungsenden entfernen. Dabei darauf achten, die Finger nicht zu verletzen. Danach die Teile vorsichtig mit feinem Schmirgelpapier säubern, um ausgefranste Ränder zu entfernen. Die Nummernfolge der Schritte auf Fotos und Skizzen gibt an, in welcher Reihenfolge die Teile zusammengebaut werden.

**LEISTEN UND STÄBE:** Die Modelle enthalten mehrere Arten von Leisten und Stäben, aus denen die einzelnen Teile des Bausatzes geformt werden. In einigen Fällen kann es angebracht sein, die Maße im Zuge des Zusammenbaus entsprechend dem Modell anzupassen. Auf diese Weise wird eine bessere Passform erricht.

**EMPFOHLENE KLEBSTOFFE:** Weißleim (Tischlerleim): Zum Kleben von Strukturteilen und allen nachgiebigen Teilen. Sekundenkleber: Für schwer zu haltende Teile, die schnell verklebt werden müssen. Kontaktkleber (Schusterleim): Für alle Teile, die mit dünnen Holz- oder Metallstücken zum Beplanken oder Verkleiden beklebt werden. Bitte beachten Sie stets die Hinweise des Herstellers.

**UNSER KUNDENDIENST:** Bei Fragen zum Aufbau unserer Modelle steht Ihnen unser Kundendienst zur Verfügung. Sie erreichen uns online unter: [www.occre.com](http://www.occre.com).

Wir stehen Ihnen gern mit Rat und Tipps zur Verfügung.

## ASSEMBLY INSTRUCTIONS

## LONDON

**PHOTOS 1 & 2.** Go ahead with the correct identification of the parts and, to this end, number them as indicated on the **PI** sheet that you will find on the last pages of this manual. Using a cutter separate the parts from the sheets by cutting the sprues. Then use fine grain sandpaper to eliminate the rough edges and leave them ready to be painted, varnished or stained.

**PHOTOS 3 & 4.** Fit and glue the bench supports **2** onto the base **1**. Use white glue. Fit and glue the fronts of the benches **3** and the strips **4**. Use white glue.

**PHOTO 5.** Glue the strips **5**, starting from the strip **4** and until you have completely covered the benches. Sand them down well and then varnish. Use white glue.

**PHOTO 6.** Stain the strips **6** and **7** sapelli colour and glue them to the front of the benches. Use white glue.

**PHOTO 7.** Take the strips **8**, and glue the planking in place, leaving a 1 mm. gap between each strip. Use white glue.

**PHOTO 8.** After painting the planking light grey this is how the floor and the benches should look once assembled.

**PHOTO 9.** Separate parts **9**, **10** and **11** from the sheet in order to make up the front of the coach.

**PHOTO 10.** Paint the doors **12** burgundy red on one side and then stain them sapelli colour on the other. Cut out the window panes **13** and glue them into the doors.

**PHOTOS 11 & 12.** Paint the bevelled edges of the doors and the windows cream. Glue together the end pieces, with the doors mounted between them but not glued in place. Use white glue. Paint the top outside of the panels burgundy red and the bottoms cream. Glue the decorations **14** to the exterior of the panels.

**PHOTOS 13 & 14.** Glue the front-pieces to the body of the tramcar, making sure that the painted sides are facing outwards. Use white glue. Fit the sides **15** and **16** and glue them into place to make up the central part of the lower saloon. Use white glue. Varnish the interior.

**PHOTO 15.** Fit and glue the lower sides **17** into place. Use white glue. Sand down and fill the exterior on all of the sides.

**PHOTO 16.** Make a 1 mm diameter hole in the base of each support **18**, so that eyebolts can be fitted into them, and then stain them sapelli colour and glue them to the interior of the lower saloon. Use white glue.

**PHOTOS 17 & 18.** Glue the posters and signs **19** and **20** into place as shown in the photo. Use white glue. Glue the posters and signs **21** and **22** into place as shown in the photo.

**PHOTO 19.** Adjust the length and fit an eyebolt **23** into each support **18**.

**PHOTO 20.** Pass a length of the thread **24** through the eyebolts, allowing it to sag slightly between each support. Above this fit and glue the bars **25** into place.

**PHOTO 21.** Paint the door knobs **27** gold and attach them to both sides of the doors. Glue the posters **28** and fit them in place as shown.

**PHOTO 22.** Paint the lamps **28** gold and white, and then glue them in place on the sides of the lower saloon. Use cyanoacrylate adhesive.

**PHOTO 23.** Stain the beams **29** of the roof sapelli colour and then glue them into place on the lower saloon supports. Use white glue.

**PHOTO 24.** Glue the window panes **31** into the frames **30**. Stain one of the sides sapelli colour. Glue the window frames into the spaces set aside for them.

**PHOTOS 25 & 26.** Stain the window frames **32** sapelli colour and glue the window panes **33** into them, and then glue the windows into the places set aside for them. Glue the advertisements **34** together and then fit them to the small windows at each end. Use white glue.

**PHOTO 27.** Trim the window panes for the large windows on each side **35** and then glue them into place.

**PHOTO 28.** Glue the decorations **36** onto the roof beams. Use white glue.

**PHOTO 29.** Cut to size and glue the planking **38** in place on the platforms **37** leaving a separation of 1 mm between each strip. Then paint them grey.

**PHOTO 30.** Paint the front part of the steps **39** black and then glue the finishes **41** onto them, along with the brackets **40**.

**PHOTO 31.** Glue the steps **42**, **43**, **44**, **45**, **46**, **47** and **48** onto the step fronts **39**. Glue the sections of brass strip **49** onto the steps.

**PHOTO 32.** Glue the first two steps onto the platforms, following the numerical order and making sure that they are perfectly vertical.

**PHOTO 33.** Fit and glue the platforms to the main body of the tramcar and then glue the supports **50, 51, 52, 53** and **54** into place.

**PHOTO 34.** Continue gluing the steps. Make sure that they fit correctly and that they follow the slope perfectly. Use white glue.

**PHOTO 35.** Continue gluing and fitting the steps, following the numerical order indicated in the photo and then paint the back part of the steps cream and the steps themselves grey.

**PHOTO 36.** Stick the template onto the aluminium strip, using a stick of glue, cut out the parts **55** and **56** and then fit and glue them to the stairs.

**PHOTO 37.** Paint the interior of the stair sides grey and then glue the decorations **57** and **58** onto the outer side.

**PHOTO 38.** Sand down the parts **59** and then soak them in water so that they can be bent. Then glue them to the platforms. Use cyanoacrylate adhesive.

**PHOTO 39.** Paint the inner side of the front pieces grey and the outer side burgundy red.

**PHOTO 40.** Bend the length of brass wire **60** to the shape of the curve and then glue it to the top edge and the sides of the front pieces.

**PHOTO 41.** Cut the window bars **61** to length and glue them in place over the windows, leaving a 5 mm gap between each one. Use cyanoacrylate adhesive.

**PHOTO 42.** Make up the bar **62**, using brass wire and then insert and fix it into the hole in the first step. Use cyanoacrylate adhesive.

**PHOTO 43.** Glue the parts **63** and **64** together to make up the bumper. Use white glue. Insert the pins **A** into the bumper and glue them in place.

**PHOTO 44.** Fit and glue the bumpers to the platform supports, as shown. Use white glue.

**PHOTOS 45 & 46.** Sand down the underside to round off the ends and then paint the bumper black.

**PHOTOS 47 - 49.** Start to fit the lengthways central planking **66** onto the floor of the top deck **65**. Continue with the long **67** and short **68** crossways planking. Leave a 1 mm gap between each strip. Use white glue. On the underside of the top deck, and at both ends, fit and glue the reinforcements **69, 70, 71** and **72** into place- Use white glue. Fit and glue the central reinforcement **73** into place along with the thick curve reinforcements **74**. Use white glue.

**PHOTO 50.** Glue the fine curve **75** onto the thick curve. Carry out the operation at both ends of the floor. Paint the ends of the top deck floor cream and then, using cyanoacrylate adhesive glue on the parts **76** set out as indicated in the photo.

**PHOTO 51.** Fit and glue the top deck onto the lower saloon, making sure that the bars of the access platform are correctly aligned, and then paint them grey.

**PHOTO 52.** Fit and glue the axle supports **78** into place, using the part **77**. Use white glue.

**PHOTO 53.** Glue the base **80** onto the base **79** and then insert and glue the axle supports into place. Use white glue.

**PHOTO 54.** Screw, but do not glue, the wheel base to the bottom of the tramcar using the screws **B**. Then paint this assembly grey.

**PHOTO 55.** Fit the wheels **82** onto the ends of the axles **81**. The wheels must be attached to the axles but the axles must be able to turn in their supports. Paint the wheels and axles black.

**PHOTO 56.** Glue the parts **83** and **84** together to make up the beams of the carriage springs. Use white glue. Glue the carriage springs **85** and the springs **86** to the carriage spring beams and the bushes beams **87**. Use cyanoacrylate adhesive.

**PHOTO 57.** On the top side of the bushes beams fit and glue the springs **89** and the part **91**. On the bottom side, do the same with the springs **88** and the bar **92**. Finally, fit and glue the bushes **90**. Use cyanoacrylate adhesive.

**PHOTO 58.** Using cyanoacrylate adhesive fit and glue the crossways beams **93** and then paint the whole assembly burgundy red.

**PHOTO 59.** Fit and glue this whole assembly, once painted, onto the bottom of the tramcar.

**PHOTO 60.** Fit and glue the supports **94** and **95** for the wheel-guards to the beams.

**PHOTO 61.** Make up the wheel-guards by gluing the bent brass strips **97** to the front parts **96**. Then glue the bar **99** and the strips **98** into place, with a 3 mm gap between each of them.

**PHOTO 62.** Now glue the wheel guards to the supports. Use cyanoacrylate adhesive. Paint this assembly burgundy red and black as shown.

**PHOTO 63.** Glue the brakes **100** onto the bars **101** at the distances indicated in the photo. Use cyanoacrylate adhesive.

**PHOTO 64.** Now glue the brakes onto the beams. The brakes should be parallel with the wheels. Finally paint them black as shown.

**PHOTO 65.** Make up the bumper grills by gluing together the parts **102**, **103**, **104** and **105**, as shown. Use cyanoacrylate adhesive, and then paint them burgundy red.

**PHOTO 66.** Glue the stanchions **106** adjusted to the stairwell. Use cyanoacrylate adhesive.

**PHOTO 67.** Insert a stanchion **107** into the hole in the platform and then glue on the parts **108**, **109** and **110**. Glue the **111** between the stanchions.

**PHOTO 68.** Paint the outer side burgundy red and the inner side grey. Glue the stanchion **112** into place, making sure it is well aligned with the stanchion on the top deck. Glue one of the parts **76** into place as shown in the photo.

**PHOTO 69.** Glue the parts **113**, **115** and **116** onto the base **114** and paint black and gold as shown.

**PHOTO 70.** Paint the supports **118** black and glue them to the fronts of the access platforms and then glue the control panel into place.

**PHOTOS 71 & 72.** Make two 1.5 mm diameter by 5 mm long holes into part **119** at the distances indicated in the photo and then insert and fix the two parts **120**. Fix the 24 stanchions **106** to the top deck and paint them gold. Paint the panel brown and fit the lights **121**, the moulding **122** and the sign **123**. Fit and glue this to the top deck.

**PHOTO 73.** Make up the steps using the parts **124**, **125**, **126** and **127**. Use white glue. Paint the sides black and the rest grey.

**PHOTO 74.** Glue the steps to the platforms. Fit and glue the bars **128** and **129** using one of the parts **76**.

**PHOTOS 75 & 76.** Paint the interior sides **130** and **131**, supported by the corresponding stanchions, grey. Likewise glue on the exterior sides **132**. Soak the parts **131** and **132** so that they can be bent into shape easier. Paint the outer side cream. Bend the brass wire **133** to match the shape of the stairwell and curve the brass wire **134**, gluing them into place on the stanchions above the side panels and at the ends. Also glue the straight sections **135** into place. Glue the netting **136** and **137** between the bars.

**PHOTOS 77 & 78.** Paint the bases of the top deck benches **138** and **139** brown. Using a pencil simulate planking, with a width of 2 mm for each plank. Glue the legs **140** to the bases and insert the supports **141** into the bases. Finally insert the backrests **142** and **143** into place. Insert the lengths of brass wire **144** and **145** to join the legs. Paint these parts burgundy red and brown as shown in the photo.

**PHOTO 79.** Once the benches have been assembled glue them into place in the slots provided to that end on the floor of the top deck.

**PHOTOS 80 & 81.** In the space next to the single-seater bench fit and glue the base of the trolley **146**, the column **147** and the finishes **148** and **149**. Paint the column brown and ochre as shown. Paint the lamp **150** metal colour and the bulb white. Glue the glasses **151** onto both sides, as shown. Now glue the lamp onto the bar **152**, and the bar to part **76** on the floor part. Paint the bar black.

**PHOTO 82.** Paint the handle **153** burgundy red and glue it to the base. Make up and fix the stud **157**. Glue the decorations **154**, **155** and **158** into place. Above the window glue the sign **22** and the light **121**. Glue and paint the handle **156** as shown. Glue the lamp **159**, with its glass **160**.

**Photo 83.** Fit the sides' decoration **161** in place. Glue the poster **163** to the base **162** and then glue it in place on the side.

**PHOTO 84.** Glue the trolley wheel **164** into place on the trolley **165**, along with the reinforcement **166** and the cable **167**. Paint this a metal colour and glue this assembly to the base. Glue the decorations **168** into place as shown on the sides of the top deck **169** along with the posters **170**, previously glued to their bases **171**. Finally glue the ledge **172** around the floor of the top deck. Soak this strip well so that it will adapt to the curve, and finally paint it black.

We have designed this model with one single goal in mind: so that you will enjoy yourself while building a beautiful reproduction of a magnificent scaled model. If we have achieved this, then our mission is complete.

Thank you.

OCCRE



**PHOTOS 1 et 2.** Procéder à la correcte identification des pièces, pour cela, numérotez-les comme indiqué sur la page **IP** qui se trouve dans les dernières pages de ce manuel. À l'aide d'un cutter, séparer les pièces des planches en découpant les nerfs. Poncez avec un papier à grain fin pour éliminer le contrefil et les laisser prêtes à peindre, vernir ou teindre.

**PHOTOS 3 et 4.** Emboîtez et encollez sur la base **1** les supports des bancs **2**. Utilisez de la colle blanche. Emboîtez et encollez les faces des bancs **3** et les listeaux **4**. Utiliser de la colle blanche.

**PHOTO 5.** Encollez les listeaux **5** à partir du listeau **4** jusqu'à recouvrir complètement les bancs. Poncez bien et vernissez. Utiliser de la colle blanche.

**PHOTO 6.** Appliquez de la teinte Sapelli sur les listeaux **6** et **7** et collez-les sur la face des bancs. Utilisez de la colle blanche.

**PHOTO 7.** À l'aide des listeaux **8**, encollez le plancher en laissant 1 mm d'écart entre eux. Utiliser de la colle blanche.

**PHOTO 8.** Après avoir peint le plancher de couleur gris clair, voici l'aspect que doit avoir le sol et les bancs une fois montés.

**PHOTO 9.** Séparez les pièces **9**, **10** et **11** qui formeront les façades de cabine de l'emporte-pièce.

**PHOTO 10.** Peignez les portes **12**, en rouge bordeaux d'un côté et Sapelli de l'autre. Coupez le vitrage **13** et collez-le dessus.

**PHOTOS 11 et 12.** Peignez de couleur crème le biseau des portes et des fenêtres. Collez entre elles les façades en plaçant les portes entre elles sans les coller. Utiliser de la colle blanche. Peignez la partie supérieure extérieure des panneaux de couleur rouge bordeaux et l'inférieure de couleur crème. Collez les décorations **14** sur la partie extérieure des panneaux.

**PHOTOS 13 et 14.** Collez sur le corps de la cabine les façades en prenant soin de laisser les parties peintes vers l'extérieur. Utilisez de la colle blanche. Emboîtez et collez les latéraux **15** et **16** pour former la cabine centrale du tramway. Utilisez de la colle blanche. Vernissez l'intérieur.

**PHOTO 15.** Emboîtez et collez les côtés bas **17**. Utilisez de la colle blanche. Poncez et appliquez du mastic sur l'extérieur des côtés.

**PHOTO 16.** Réalisez un orifice de  $\varnothing 1$  mm sur la base de chaque support **18** pour y loger une cheville à œillet. Teintez-les de Sapelli et collez-les à l'intérieur de la cabine. Utiliser de la colle blanche.

**PHOTOS 17 et 18.** Collez les affiches et panneaux **19** et **20** dans les zones indiquées sur l'image. Utiliser de la colle blanche. Collez les affiches et panneaux **21** et **22** dans les zones indiquées sur l'image.

**PHOTO 19.** Ajustez la longueur et fixez une cheville à œillet **23** sur chaque support **18**.

**PHOTO 20.** Passez à travers les chevilles le fil **24**, en le laissant légèrement mou entre les supports. Par le haut, emboîtez et collez les barres **25**.

**PHOTO 21.** Peignez de couleur or les poignées **27** et collez-les de part et d'autre des portes. Collez les panneaux **26**.

**PHOTO 22.** Peindre les lampes **28** de couleur or et blanc et collez-les sur les côtés de la cabine. Peignez l'extérieur de la structure comme montré sur les images suivantes.

**PHOTO 23.** Teignez de couleur Sapelli les poutres du plafond **29** et collez-les sur les supports de la cabine. Utiliser de la colle blanche.

**PHOTO 24.** Collez les vitrages **31** dans les cadres des fenêtres **30**. Teignez de couleur Sapelli l'un des côtés. Collez les cadres dans les fenêtres.

### **PHOTOS 25 et 26.**

Teignez en Sapelli les cadres des fenêtres **32** et collez-y les vitrages **33**. Collez les fenêtres terminées à leur place. Collez entre elles les annonces **34**. Puis, fixez-les aux petites fenêtres des extrémités. Utiliser de la colle blanche.

**PHOTO 27.** Découpez les vitrages des grandes fenêtres des latéraux **35** et collez ces pièces à leur place.

**PHOTO 28.** Collez la décoration **36** sur les poutres du toit. Utilisez de la colle blanche.

**PHOTO 29.** Découpez à la mesure et collez le plancher **38** sur les plates-formes **37** en laissant un écart de 1 mm entre les listeaux. Utiliser de la colle blanche. Puis peignez de couleur grise.

**PHOTO 30.** Peignez de couleur noire les contremarches **39**. Collez sur ces dernières les finitions **41** et les équerres **40**.

**PHOTO 31.** Collez les marches **42**, **43**, **44**, **45**, **46**, **47** et **48** sur les façades **39**. Collez les pièces en bande de laiton **49** sur les marches.

**PHOTO 32.** Collez les deux premières marches sur les plates-formes en suivant l'ordre numérique. Vérifiez qu'elles sont parfaitement verticales.

**PHOTO 33.** Emboîtez et collez les plates-formes sur le corps central du tramway. Puis collez les supports **50, 51, 52, 53** et **54**.

**PHOTO 34.** Placez les décorations **154** et **155**. Utilisez de la colle blanche. Continuez à coller les marches. Prenez soin à leur emboîtement et faites en sorte qu'elles suivent parfaitement l'inclinaison.

**PHOTO 35.** Continuez à coller et à emboîter les marches en suivant l'ordre numérique indiqué sur l'image. Puis, peignez de couleur crème la partie arrière de l'escalier et de couleur grise les marches.

**PHOTO 36.** Ajustez et collez les pièces **55** et **56** aux escaliers. Il est conseillé de plier préalablement les pièces en utilisant un objet cylindrique.

**PHOTO 37.** Peignez de couleur grise l'intérieur des côtés des escaliers. Collez les décorations **57** et **58** sur la partie externe.

**PHOTO 38.** Poncez les pièces **59** et immergez-les dans l'eau pour qu'elles puissent être pliées. Puis, collez-les aux plates-formes. Utilisez du cyanoacrylate.

**PHOTO 39.** Peignez de couleur grise l'intérieur des faces et en rouge bordeaux l'extérieur.

**PHOTO 40.** Adaptez à la courbe le fil en laiton **60** et collez-le par la partie supérieure et par les latéraux des faces.

**PHOTO 41.** Découpez les barreaux des fenêtres **61** et collez-les sur celles-ci, en laissant 5 mm d'écart entre eux. Utilisez du cyanoacrylate.

**PHOTO 42.** Confectionnez la barre **62** avec le fil en laiton. Insérez et fixez la barre dans l'orifice de la première marche. Utilisez du cyanoacrylate.

**PHOTO 43.** Collez les parties **63** et **64** pour former les pare-chocs. Utilisez de la colle blanche. Clouez et collez des pointes **A** sur les parties avant.

**PHOTO 44.** Emboîtez et collez les pare-chocs sur les supports des plates-formes. Utilisez de la colle blanche.

**PHOTOS 45 et 46.** Pour la partie inférieure, poncez pour arrondir les angles. Puis peignez les pare-chocs de couleur noire.

**PHOTOS 47 - 49.** Sur le sol de l'étage supérieur **65**, commencez à installer le plancher longitudinal central **66**. Continuez avec le plancher transversal long **67** puis le court **68**. Laissez un espace d'environ 1 mm entre chaque listeau. Utilisez de la colle blanche. Par la partie inférieure du sol de l'étage supérieur, et aux deux extrémités, emboîtez et collez les renforts **69, 70, 71** et **72**. Utilisez de la colle blanche. Emboîtez et collez le renfort central **73** et les renforts épais de la courbe **74**. Utilisez de la colle blanche.

**PHOTO 50.** Collez sur la courbe épaisse la courbe fine **75**. Réalisez cette opération aux deux extrémités du sol. Peignez de couleur crème les extrémités de l'étage supérieur. Puis, collez à l'aide de cyanoacrylate les pièces **76**.

**PHOTO 51.** Emboîtez et collez l'étage supérieur sur la cabine. Prenez soin de bien emboîter les barres des plates-formes d'accès. Puis peignez de couleur grise.

**PHOTO 52.** Emboîtez et collez les supports des essieux **78** à l'aide de la pièce **77**. Utilisez de la colle blanche.

**PHOTO 53.** Collez la base **80** sur la **79**. Puis, insérez et collez les supports des essieux. Utilisez de la colle blanche.

**PHOTO 54.** Vissez sans coller la base des roues à la partie inférieure du tramway à l'aide des vis **B**. Puis, peignez l'ensemble de couleur grise.

**PHOTO 55.** Insérez les roues **82** aux extrémités des essieux **81**. Les roues doivent être assemblées aux essieux mais doivent pouvoir tourner sur les supports. Puis, peindre de couleur noire.

**PHOTO 56.** Collez les pièces **83** et **84** pour former les supports des ressorts à lames. Utilisez de la colle blanche. Collez les ressorts à lames **85** et les ressorts **86** aux supports des ressorts à lames et aux supports des moyeux **87**. Collez à l'aide de cyanoacrylate.

**PHOTO 57.** Par la partie supérieure du support des moyeux, emboîtez et collez les ressorts **89** et la pièce **91**. Par la partie inférieure, faites de même avec les ressorts **88** et la barre **92**. Finalement, emboîtez et collez les moyeux **90**. Utilisez du cyanoacrylate.

**PHOTO 58.** Observez comment doivent rester les supports des moyeux lorsque toutes les pièces seront installées.

**PHOTO 59.** Emboîtez et collez à l'aide de cyanoacrylate les supports transversaux. **93**. Puis, peignez l'ensemble en rouge bordeaux et emboîtez-le dans la partie inférieure du tramway.

**PHOTO 60.** Emboîtez et collez les supports des dispositifs de protection **94** et **95** à leur emplacement.

**PHOTO 61.** Formez les dispositifs de protection en collant les faces **96**, les bandes pliées **97**. Collez la barre **98** et les listeaux **98** séparés de 3 mm entre eux.

**PHOTO 62.** Collez les dispositifs de protection sur les supports. Utilisez du cyanoacrylate. Peignez de couleur rouge bordeaux et de couleur noire.

**PHOTO 63.** Collez les freins **100** sur les barres **101** aux distances indiquées sur l'image. Utilisez du cyanoacrylate.

**PHOTO 64.** Collez les freins sur les supports. Les freins doivent être parallèles aux roues. Puis, peindre de couleur noire.

**PHOTO 65.** Formez la grille du pare-choc en collant les pièces 102, 103, 104 et 105. Utilisez du cyanoacrylate et peignez de couleur rouge bordeaux.

**PHOTO 66.** Collez les montants **106** emboîtés dans l'orifice de l'escalier. Utilisez du cyanoacrylate.

**PHOTO 67.** Insérez un montant **107** dans l'orifice de la plate-forme. Collez les pièces **108**, **109** et **110**. Entre les montants, collez la main-courante **111**.

**PHOTO 68.** Peignez le côté de la barrière d'escalier en gris à l'intérieur et collez la décoration **57** sur l'extérieur. Collez le montant **112**, il doit être aligné sur le montant de l'étage supérieur. Collez une pièce **76** sur la zone indiquée sur l'image.

**PHOTO 69.** Sur la base **114**, collez les pièces **113**, **115** et **116**. Peignez les pièces de couleur noire et or.

**PHOTO 70.** Peignez de couleur noire les supports **118** et collez-les sur les faces des plates-formes d'accès. Puis, collez les tableaux de commandes.

**PHOTOS 71 et 72.** Réalisez deux orifices de  $\varnothing$  1,5 x 5 mm sur la pièce 119 à la distance indiquée sur l'image. Puis, introduisez et fixez deux pièces 120. Fixez les 24 montants **106** au plafond et peignez-les de couleur or. Peignez de couleur marron le panneau et installez les lumières **121**, la moulure **122** et le panneau **123**. Emboîtez et collez-le au plafond.

**PHOTO 73.** Formez les marches en collant les pièces **124**, **125**, **126** et **127**. Utilisez de la colle blanche. Peignez les côtés en noir et le reste en gris.

**PHOTO 74.** Collez les marches sur les plates-formes. Emboîtez et collez les barres **128** et **129** à l'aide d'une pièce **76**.

**PHOTOS 75 et 76.** Peignez en gris et collez les côtés intérieurs **130** et **131** appuyés sur les montants correspondants. Collez également les côtés extérieurs **132**. Humidifiez les pièces **131** et **132** pour faciliter la courbure. Peignez-les couleur crème à l'extérieur. Adaptez le fil en laiton **133** aux vides de l'escalier et aux courbes **134**, et collez-les aux montants au dessus des côtés et aux extrémités. Collez également les parties droites **135**. Collez les filets **136** et **137** entre les barres.

**PHOTOS 77 et 78.** Peignez de couleur marron les bases des bancs **138** et **139**. À l'aide d'un crayon, simulez le plancher en maintenant une distance de 2 mm entre les planches. Collez les pieds **140** sur les bases. Insérez les supports **141** sur les bases. Puis, insérez les dossiers **142** et **143**. Fixez les fils **144** et **145** pour assembler les pieds. Peignez en bordeaux et marron les pièces indiquées sur l'image.

**PHOTO 79.** Collez les bancs déjà montés dans les emplacements situés dans le sol de l'étage supérieur.

**PHOTOS 80 et 81.**

Dans l'espace restant sur le côté du siège simple, emboîtez et collez la base du trolley **146**, la colonne **147** et les finitions **148** et **149**. Peignez la colonne de couleur rouge et ocre. Peignez le phare **150** de couleur métal et l'ampoule en blanc. Collez les vitrages **151** de part et d'autre. Collez le phare sur la barre **152**, et celle-ci sur la pièce **76** du sol. Peignez la barre en noir.

**PHOTO 82.** Peignez la poignée **153** et collez-la sur la base. Formez et fixez le boulon **157**. Collez les décorations **158**. Au dessus de la fenêtre, collez le panneau **22** et la lumière **121**. Collez et peignez la poignée **156**. Collez le phare **159**, avec son cristal **160**.

**PHOTO 83.** Collez la décoration des côtés **161**. Collez sur la base **162** le panneau **163** et collez le panneau à sa place.

**PHOTO 84.** Collez la roue du trolley **164**, collez le trolley **165**, le renfort **166** et le câble **167**. Peignez de couleur métal et collez l'ensemble sur la base. Collez les décorations **168**, les latéraux supérieurs **169** et les panneaux **170** préalablement collés sur les bases **171**. Finalement, collez le rebord **172** autour du sol de l'étage supérieur. Humidifiez bien le listeau pour qu'il s'adapte à la courbe. Puis, peindre de couleur noire.

Nous avons réalisé ce modèle dans un seul but, celui de vous faire passer de bons moments en construisant un objet reproduisant un magnifique modèle.

Si nous y sommes parvenu, nous avons atteint notre but. Merci.

OCCRE.

**FOTO 1.**

Procedere a identificare in maniera corretta i pezzi; per realizzare quest'operazione, numerarli come indicato nella pagina **IP** che si trova nelle ultime pagine di questo manuale.

**FOTO 2.**

Con un cutter, togliere i pezzi dai blister tagliandone i nervi. Scartavetrare con carta vetrata a grana fine per eliminare le sbavature e lasciarli pronti per poterli verniciare, smaltare o tingere.

**FOTO 3.**

Inserire e incollare sopra la base **1** i supporti dei banchi **2**. Utilizzare colla bianca.

**FOTO 4.**

Inserire e incollare le parti frontali dei banchi **3** e le aste **4**. Utilizzare colla bianca.

**FOTO 5.**

Incollare le aste **5**, a partire dall'asta **4** e fino a coprire completamente i banchi. Scartavetrarli bene e smaltare. Utilizzare colla bianca.

**FOTO 6.**

Tingere in sapelli le aste **6** e **7** e incollarli nelle parti frontali dei banchi. Utilizzare colla bianca.

**FOTO 7.**

Con le aste **8**, incollare il fasciame lasciando 1 mm di separazione tra loro. Utilizzare colla bianca.

**FOTO 8.**

Dopo aver verniciato il fasciame in grigio chiaro, questo è l'aspetto che devono avere il pavimento e i banchi una volta montati.

**FOTO 9.**

Separare dal blister i pezzi **9**, **10** e **11** che formeranno le parti frontali della cabina.

**FOTO 10.**

Verniciare le porte **12**, in rosso bordeaux da un lato e sapelli dall'altro. Ritagliare i cristalli **13** e incollarli nelle porte.

**FOTO 11.**

Verniciare in crema il bisello di porte e finestre. Incollare tra loro le parti frontali collocando le porte tra esse, senza incollarle. Utilizzare colla bianca.

**FOTO 12.**

Verniciare la parte superiore esterno dei pannelli in rosso bordeaux e quella inferiore di crema. Incollare le decorazioni **14** nella parte esterna dei pannelli.

**FOTO 13.**

Incollare nel corpo della cabina le parti frontali facendo attenzione che le parti verniciate siano orientate verso il esterno. Utilizzare colla bianca.

**FOTO 14.**

Inserire e incollare i lati **15** e **16** per formare la cabina centrale del tram. Utilizzare colla bianca. Smaltare l'interno.

**FOTO 15.**

Inserire e incollare i lati bassi **17**. Utilizzare colla bianca. Scartavetrare e stuccare l'esterno di tutti i lati.

**FOTO 16.**

Fare un foro di  $\varnothing$  1 mm nella base di ogni supporto **18** per albergare un golfare. Verniciarli in sapelli e incollarli en il interno della cabina. Utilizzare colla bianca.

**FOTO 17.**

Incollare i cartelli e le insegne **19** e **20** nelle zone indicate nell'immagine. Utilizzare colla bianca.

**FOTO 18.**

Incollare i cartelli e le insegne **21** e **22** nelle zone indicate nell'immagine.

**FOTO 19.**

Regolare la lunghezza e fissare un golfare **23** in ogni supporto **18**.

**FOTO 20.**

Passare attraverso dei golfare il filo **24**, lasciandolo leggermente lento tra i supporti. Dall'alto, inserire e incollare le barre **25**.

**FOTO 21.**

Verniciare in oro i tiranti **27** e incollarli su entrambi i lati delle porte. Incollare i cartelli **26**.

**FOTO 22.**

Verniciare le lampade **28** in oro e bianco e incollarle sui lati della cabina. Verniciare l'esterno della struttura così come indicato nelle seguenti immagini.

**FOTO 23.**

Tingere in sapelli le travi del tetto **29** e incollarle sui supporti della cabina. Utilizzare colla bianca.

**FOTO 24.**

Incollare i cristalli **31** tra le cornici delle finestra **30**. Tingere in sapelli uno dei lati. Incollare le cornici nelle finestre.

**FOTO 25.**

Tingere in sapelli le cornici delle finestre **32** e incollarvi i cristalli **33**. Incollare le finestre complete nelle loro sedi.

**FOTO 26.**

Incollare tra loro gli annunci **34**. Poi, fissarli alle finestre piccole delle estremità. Utilizzare colla bianca.

**FOTO 27.**

Ritagliare i cristalli delle finestre grandi dei lati **35** e incollarli nella loro sede.

**FOTO 28.**

Incollare sulle travi del tetto la decorazione **36**. Utilizzare colla bianca.

**FOTO 29.**

Tagliare su misura e incollare il fasciame **38** sulle piattaforme **37** lasciando una separazione di 1 mm tra le aste. Utilizzare colla bianca. Poi, verniciare in grigio.

**FOTO 30.**

Verniciare in nero le parti frontali degli scalini **39**. Incollarvi sopra i coronamenti **41** e le squadre **40**.

**FOTO 31.**

Incollare gli scalini **42, 43, 44, 45, 46, 47** e **48** nelle parti frontali **39**. Incollare i pezzi di foglio d'ottone **49** negli scalini.

**FOTO 32.**

Incollare i due primi scalini sulle piattaforme seguendo l'ordine numerico. Controllare che siano perfettamente verticali.

**FOTO 33.**

Inserire e incollare le piattaforme nel corpo centrale del tram. Dopo, incollare i supporti **50, 51, 52, 53** e **54**.

**FOTO 34.**

Collocare le decorazioni **154** e **155**. Utilizzare colla bianca. Continuare ad incollare gli scalini. Fare attenzione quando vengono inserite e fare in modo da rispettarne perfettamente l'inclinazione.

**FOTO 35.**

Continuare ad incollare ed inserire gli scalini seguendo l'ordine numerico indicato nell'immagine. Dopo, verniciare in crema la parte posteriore delle scale e in grigio gli scalini.

**FOTO 36.**

Sistemare e incollare i pezzi **55** e **56** alle scale. È consigliabile piegare previamente i pezzi utilizzando qualche oggetto cilindrico.

**FOTO 37.**

Verniciare in grigio l'interno dei lati delle scale. Incollare le decorazioni **57** e **58** nella loro parte esterna.

**FOTO 38.**

Scartavetrare i pezzi **59** e immergerli in acqua affinché si possano curvare. Dopo, incollarli alle piattaforme. Utilizzare colla ciano-acrilica.

**FOTO 39.**

Verniciare in grigio l'interno delle parti frontali e in rosso bordeaux l'esterno degli stessi.

**FOTO 40.**

Adattare alla curva il filo d'ottone **60** e incollarlo dalla parte superiore e dai lati delle parti frontali.

**FOTO 41.**

Tagliare le sbarre delle finestre **61** e incollarle nelle stesse, lasciando 5 mm di separazione tra loro. Utilizzare colla ciano-acrilica.

**FOTO 42.**

Formare la sbarra **62** con filo d'ottone. Inserire e fissare la sbarra nel foro del primo scalino. Utilizzare colla ciano-acrilica.

**FOTO 43.**

Incollare le parti **63** e **64** per formare i paracolpi. Utilizzare colla bianca. Inchiodare e incollare chiodini **A** nella parte anteriore.

**FOTO 44.**

Inserire e incollare i paracolpi nei supporti delle piattaforme. Utilizzare colla bianca.

**FOTO 45 e 46.**

Nella parte inferiore, scartavetrare per arrotondare gli angoli. Dopo, verniciare i paracolpi in nero.

**FOTO 47.**

Sul pavimento del piano superiore **65**, iniziare a collocare il fasciame longitudinale centrale **66**. Continuare con il fasciame trasversale lungo **67** e quella corto **68**. Lasciare 1 mm di separazione tra asta e asta. Utilizzare colla bianca.

**FOTO 48.**

Nella parte inferiore del pavimento del piano alto, e nei dos estremità, inserire e incollare i rinforzi **69, 70, 71** e **72**. Utilizzare colla bianca.

**FOTO 49.**

Inserire e incollare il rinforzo centrale **73** e i rinforzi gruesos della curva **74**. Utilizzare colla bianca.

**FOTO 50.**

Incollare sopra la curva spessa, la curva fina **75**. Realizzare questa operazione en entrambi estremità del pavimento. Verniciare in crema i estremità del piano superiore. Dopo, incollare con colla ciano-acrilica i pezzi **76**.

**FOTO 51.**

Inserire e incollare il piano superiore nella cabina. Fare attenzione che le sbarre delle piattaforme d'accesso s'inseriscano bene. Dopo, verniciare in grigio.

**FOTO 52.**

Inserire e incollare i supporti degli assi **78** mediante il pezzo **77**. Utilizzare colla bianca.

**FOTO 53.**

Incollare la base **80** sulla **79**. Dopo, inserire e incollare i supporti degli assi. Utilizzare colla bianca.

**FOTO 54.**

Avvitare, senza incollare, la base delle ruote alla parte inferiore del tram mediante le viti **B**. Dopo, verniciare l'insieme in grigio.

**FOTO 55.**

Inserire le ruote **82** nelle estremità degli assi **81**. Le ruote devono essere unite agli assi ma devono poter girare nei supporti. Dopo, verniciare in nero.

**FOTO 56.**

Incollare i pezzi **83** e **84** per formare le braccia delle balestre. Utilizzare colla bianca. Incollare le balestre **85** e le molle **86** alle braccia delle balestre ed alle braccia delle boccole **87**. Incollare con colla ciano-acrilica.

**FOTO 57.**

Nella parte superiore del braccio delle boccole, inserire e incollare le molle **89** e il pezzo **91**. Nella parte inferiore, fare lo stesso con le molle **88** e la sbarra **92**. Infine, inserire e incollare le boccole **90**. Utilizzare colla ciano-acrilica.

**FOTO 58.**

Osservare come devono essere le braccia delle boccole con tutti i pezzi collocati.

**FOTO 59.**

Inserire e incollare con colla ciano-acrilica le travi trasversali **93**. Dopo, verniciare l'insieme in rosso bordeaux e inserirlo nella parte inferiore del tram.

**FOTO 60.**

Inserire e incollare i supporti dei salvavita **94** e **95** nelle travi.

**FOTO 61.**

Formare i salvavita, incollando nelle parti frontali **96**, le lastre piegate **97**. Incollare la sbarra **99** e le aste **98** con una separazione di 3 mm tra loro.

**FOTO 62.**

Incollare i salvavita nei supporti. Utilizzare colla ciano-acrilica. Verniciare in rosso bordeaux e in nero.

**FOTO 63.**

Incollare i freni **100** en le sbarre **101** alle distanze indicate nell'immagine. Utilizzare colla ciano-acrilica.

**FOTO 64.**

Incollare i freni sulle braccia. I freni devono essere paralleli alle ruote. Dopo, verniciare in nero.

**FOTO 65.**

Forme le reti metalliche del paracolpi incollando i pezzi 102, 103, 104 e 105. Utilizzare colla ciano-acrilica e verniciare in rosso bordeaux.

**FOTO 66.**

Incollare i candelieri **106** nella tromba della scala. Utilizzare colla ciano-acrilica.

**FOTOS 1 und 2.** Damit die einzelnen Bauteile korrekt zugeordnet werden können, empfehlen wir, auf den Teilen vor dem Herausnehmen mit einem Bleistift die Nummer von dem IP-Blatt auf der letzten Seite dieser Anleitung zu notieren. Die Teile mit einem Schneidewerkzeug (Cutter) herauslösen und die kleinen Befestigungsenden entfernen. Danach die Teile vorsichtig mit feinem Schmirgelpapier säubern und ausgefranzte Ränder entfernen, damit die Teile zum Lackieren oder Färben bereit sind.

**FOTOS 3 und 4.** Die Stützen der Bänke 2 auf den Unterbau 1 setzen und ankleben. Weißen Leim verwenden. Die Vorderseiten der Bänke 3 und die Leisten 4 einsetzen und ankleben. Dazu weißen Leim verwenden.

**FOTO 5.** Die Leisten 5 bei Leiste 4 angefangen aufkleben, bis die Bänke vollständig verkleidet sind. Glatt schmirgeln und lackieren. Dazu weißen Leim verwenden.

**FOTO 6.** Mit Sapelly-Lacj die Leisten 6 und 7 anmalen und an die Vorderseiten der Bänke kleben. Weißen Leim verwenden.

**FOTO 7.** Aus den den Leisten 8 die Bretterschalung in 1 mm zwischen den Leisen aufkleben. Dazu weißen Leim verwenden.

**FOTO 8.** Nach Lackieren der Bretterschalung in Hellgrau sieht der Boden mit den montierten Bänke so aus, wie auf dem Bild gezeigt.

**FOTO 9.** Die Teile 9, 10 und 11, aus denen die Kabinenfront geformt werden, aus der Stanzplatte heraustrennen.

**FOTO 10.** Die Türen 12 auf der einen Seite weinrot und auf der anderen Seite in Sapelly-Farbe lackieren. Die Scheiben 13 ausschneiden und miteinander verkleben.

**FOTOS 11 und 12.** Die Kanten von Türen und Fenstern cremefarben anmalen. Die Frontseiten aneinanderkleben und die Türen dazwischen setzen, ohne sie aufkleben. Dazu weißen Leim verwenden. Die obere Außenseite der Tafeln weinrot und die untere Außenseite cremefarben anmalen. Die Dekorationen 14 an der Außenseite der Tafeln aufkleben.

**FOTOS 13 und 14.** Am Kabinenkörper die Vorderseiten aufkleben und dabei darauf achten, dass die lackierten Seiten nach Außen zeigen. Weißen Leim verwenden. Aus den Seitenteile 15 und 16 die mittlere Kabine der Straßenbahn formen und zusammenkleben. Weißen Leim verwenden. Das Innere lackieren.

**FOTO 15.** Die unteren Seitenteile 17 einsetzen und ankleben. Weißen Leim verwenden. Die Außenseiten aller Seitenteile glatt schmirgeln und verkitten.

**FOTO 16.** Eine Öffnung mit  $\varnothing 1$  mm in die Basis von jeder Stütze 18 machen und einen Ösenstift einsetzen. In Sapelly-Farbe färben und im Inneren der Kabine ankleben. Dazu weißen Leim verwenden.

**FOTOS 17 und 18.** Die Plakate und Hinweisschilder 19 und 20 an den auf der Abbildung markierten Stellen aufkleben. Dazu weißen Leim verwenden. Die Plakate und Hinweisschilder 21 und 22 an den auf der Abbildung markierten Stellen aufkleben.

**FOTO 19.** Einen Ösenstift 23 zurechtstutzen und an jede Stütze 18 kleben.

**FOTO 20.** Den Draht 24 durch die Ösenstifte ziehen, so dass er locker zwischen den Stützen hängt. An der Oberseite die Stangen 25 einsetzen und ankleben.

**FOTO 21.** Die Griffe 27 goldfarben anmalen und an beide Türseiten kleben. Die Plakate 26 aufkleben.

**FOTO 22.** Die Lampen 28 goldfarben und weiß anmalen und am die Seitenwände der Kabine kleben. Die Außenseite wie auf den folgenden Abbildungen gezeigt lackieren.

**FOTO 23.** Die Dachbalken 29 in Sapelly-Farbe färben und auf die Stützen der Kabine kleben. Dazu weißen Leim verwenden.

**FOTO 24.** Die Scheiben 31 zwischen die Fensterrahmen 30 kleben. Auf einer Seite mit Sapelly-Farbe färben. Die Rahmen an die Fenster kleben.

**FOTOS 25 und 26.** Die Fensterrahmen 32 mit Sapelly-Farbe färben die Scheiben 33 auf die Rahmen kleben. Die fertigen Fenster an die vorgesehene Stelle kleben. Die Bekanntmachungen 34 zusammenkleben. Anschließend an den kleinen Fenstern an den Enden aufkleben. Dazu weißen Leim verwenden.

**FOTO 27.** Die großen Fensterscheiben der Seiten 35 und ausschneiden und an die vorgesehenen Stellen kleben.

**FOTO 28.** Die Dekoration 36 an die Dachbalken kleben. Weißen Leim verwenden.

**FOTO 29.** Die Bretterschalung 38 auf die Plattformen 37 kleben, dabei zwischen den Leisten einen Abstand von 1 mm frei lassen. Dazu weißen Leim verwenden. Anschließend grau lackieren.

**FOTO 30.** Die Vorderseiten der Stufen 39 schwarz anmalen. Darüber die Abschlussteile 41 und die Winkel 40 kleben.

**FOTO 31.** Die Stufen 42, 43, 44, 45, 46, 47 und 48 an die Vorderseiten 39 kleben. Die Teile aus Messingband 49 auf die Stufen kleben.



**FOTO 32.** Die ersten beiden Stufen in Nummernreihenfolge auf die Plattformen kleben. Sie müssen vollkommen senkrecht stehen.

**FOTO 33.** Die Plattformen an den Körper der Straßenbahn setzen und festkleben. Anschließend die Stützen 50, 51, 52, 53 und 54 aufkleben.

**FOTO 34.** Weitere Stufen aufkleben. Die Stufen müssen richtig eingepasst werden und die richtige Neigung haben. Weißen Leim verwenden.

**FOTO 35.** Weitere Stufen in Nummernreihenfolge aufkleben, wie auf der Abbildung gezeigt. Anschließend die Hinterseite der Treppen cremefarben und die Stufen grau lackieren.

**FOTO 36.** Die Teile 55 und 56 formen und an die Treppen kleben. Die Teile dazu mit einem zylinderförmigen Gegenstand vorkrümmen.

**FOTO 37.** Das Innere der Treppenseiten grau lackieren. Die Dekorationen 57 und 58 außen aufkleben.

**FOTO 38.** Die Teile 59 glatt schmirgeln und in Wasser einweichen, damit sie biegsamer werden. Anschließend auf die Plattformen kleben. Cyanacrylat verwenden.

**FOTO 39.** Die Vorderseiten innen grau und außen weinrot lackieren.

**FOTO 40.** Den Messingfaden 60 krümmen und an die Oberseite und die Seiten der Vorderseiten kleben.

**FOTO 41.** Die Eisenstangen der Fenster 61 ausschneiden und an die Fenster kleben, 5 mm Abstand zwischen den Stangen lassen. Cyanacrylat verwenden.

**FOTO 42.** Die Stange 62 aus Messingfaden anfertigen. Die Stange in die Öffnung auf der ersten Stufe einsetzen und befestigen. Cyanacrylat verwenden.

**FOTO 43.** Aus den Teilen 63 und 64 den Prellbock formen und zusammenkleben. Dazu weißen Leim verwenden. Die Stifte A an die Vorderseite kleben.

**FOTO 44.** Den Prellbock an die Stützen der Plattformen kleben. Weißen Leim verwenden.

**FOTO 45 und 46.** An der Unterseite die Kanten rund schmirgeln. Anschließend den Prellbock schwarz anmalen.

**FOTOS 47 bis 49.** Auf den Boden der oberen Etage 65 die mittlere Längsleiste 66 der Verschalung kleben. Mit den Leisten 67 (lang) und 68 (kurz) fortfahren. Je 1mm Abstand zwischen den Leisten lassen. Weißen Leim verwenden. An der Unterseite des Bodens der ersten Etage und an den beiden Enden die Verstrebungen 69, 70, 71 und 72 einsetzen und ankleben. Dazu weißen Leim verwenden. Die mittlere Verstrebung 73 und die dicken Verstrebungen der Krümmung 74 einsetzen und ankleben. Weißen Leim verwenden.

**FOTO 50.** Auf die dicke Kurvenstrebe die dünne Strebe 75 kleben. Diesen Schritt an beiden Enden des Bodens ausführen. Die Enden der ersten Etage cremefarben anmalen. Anschließend mit Cyanacrylat die Teile 76 aufkleben.

**FOTO 51.** Obere Etage auf den unteren Fahrgastraum setzen und festkleben, dabei darauf achten, dass die Stangen der Einsteigeplattform korrekt ausgerichtet sind. Anschließend grau lackieren.

**FOTO 52.** Die Stützen der Achsen 78 mithilfe von Teil 77 einsetzen und ankleben. Weißen Leim verwenden.

**FOTO 53.** Den Unterbau 80 auf Teil 79 kleben. Anschließend die Stützen der Achsen einsetzen und aufkleben. Dazu weißen Leim verwenden.

**FOTO 54.** Den Unterbau der Räder mit den Schrauben B an der Unterseite der Straßenbahn festschrauben. Anschließend die Baugruppe grau anmalen..

**FOTO 55.** Die Räder 82 an die Enden der Achsen 81 setzen. Die Räder müssen an den Achsen befestigt sein, sich aber noch drehen lassen. Anschließend schwarz anmalen.

**FOTO 56.** Aus den Teile 83 und 84 die Balken der Drehgestellfedern formen und zusammenkleben. Dazu weißen Leim verwenden. Die Federn 85 und die Federn 86 an die Balken der Federn und die Balken der Radnaben 87 kleben. Zum Aufkleben Cyanacrylat verwenden.

**FOTO 57.** An die Oberseite des Radnabenbalkens die Federn 89 und Teil 91 einsetzen und ankleben. An der Unterseite ebenso mit den Federn 88 und der Stange 92 verfahren. Abschließend die Radnaben 90 einsetzen und ankleben. Cyanacrylat verwenden.

**FOTO 58.** Die Querbalken 93 einsetzen und mit Cyanacrylat festkleben. Anschließend die Baugruppe weinrot anmalen.

**FOTO 59.** Den Brill anmalen und danach an die Unterseite der Straßenbahn kleben.

**FOTO 60.** Die Halterungen der Fangvorrichtung 94 und 95 an die Balken kleben.

**FOTO 61.** Die Fangvorrichtung formen, indem die gebogenen Messingbänder 97 an die Vorderseiten 96 geklebt werden. Die Stange 99 und die Leisten 98 in einem Abstand von 3 mm aufkleben.

**FOTO 62.** Die Fangvorrichtung an die Stützen kleben. Zum Kleben Cyanacrylat verwenden. Weinrot und schwarz anmalen.

**FOTO 63.** Die Bremsen 100 in den auf der Abbildung angegebenen Abständen an die Stangen 101 kleben. Cyanacrylat verwenden.

**FOTO 64.** Die Bremsen an die Balken kleben. Die Bremsen müssen parallel zu den Rädern sitzen. Anschließend schwarz anmalen.

**FOTO 65.** Die Gitter des Prellbock aus den Teilen 102, 103, 104 und 105 formen und zusammenkleben. Zum Kleben Cyanacrylat verwenden. Danach weinrot anmalen.

**FOTO 66.** Die Geländerstützen 106 neben die Treppenöffnung kleben. Cyanacrylat verwenden.

**FOTO 67.** Eine Geländerstütze 107 auf die Öffnung der Plattform setzen. Die Teile 108, 109 und 110 aufkleben. Zwischen die Geländerstützen die Handläufe 111 kleben.

**FOTO 68.** Die Außenseite der Treppe weinrot und die Innenseite grau anmalen. Die Geländerstütze 112 muss mit der Geländerstütze der oberen Etage übereinstimmen. Ein Teil 76 an die auf der Abbildung gezeigte Stelle kleben.

**FOTO 69.** An den Unterbau 114 die Teile 113, 115 und 116 kleben. Die Teile schwarz und goldfarben anmalen.

**FOTO 70.** Die Stützen 118 schwarz anmalen und an die Vorderseiten der Einstiegsplattformen kleben. Anschließend das Bedienpult aufkleben.

**FOTOS 71 und 72.** Zwei Öffnungen zu  $\varnothing 1,5 \times 5$  mm in dem auf der Abbildung gezeigten Abstand an Teil 119 anbringen. Anschließend zwei Teile 120 einsetzen und befestigen. Die 24 Geländerstützen 106 auf dem Dach befestigen und goldfarben anmalen. Die Tafel braun anmalen und die Leuchten 121, die Leiste 122 und die Schilder 123 anbringen. Auf dem Dach festkleben.

**FOTO 73.** Die Treppenstufen aus den Teilen 124, 125, 126 und 127 formen und zusammenkleben. Weißen Leim verwenden. Die Seitenteile schwarz und den Rest grau anmalen..

**FOTO 74.** Die Stufen auf die Plattformen aufkleben. Die Stangen 128 und 129 mithilfe von einem Teil 76 einsetzen und festkleben.

**FOTOS 75 und 76.** Die inneren Seitenteile 130 und 131 grau anmalen und auf die entsprechenden Geländerstützen aufkleben. Ebenso die äußeren Seitenteile 132 aufkleben. Die Teile 131 und 132 anfeuchten, damit sie biegsamer werden. Außen cremefarben anmalen. Den Messingfaden 133 in die Zwischenräume der Treppe und an den Kurven 134 setzen und an den Seiten und den Enden an den Geländerstützen festkleben. Ebenso die geraden Abschnitte 135 aufkleben. Das Maschengitter 136 und 137 zwischen die Stangen kleben.

**FOTOS 77 und 78.** Die Unterbauten der Bänke 138 und 139 braun anmalen. Mit einem Bleistift die Bretterschalung aufzeichnen, dabei einen Abstand von 2 mm zwischen den einzelnen Brettern lassen. Die Ständer 140 an die Unterbauten kleben. Die Stützen 141 an die Unterbauten kleben. Anschließend die Lehnen 142 und 143 einsetzen. Die Ständer mit den Drähten 144 und 145 verbinden. Die auf der Abbildung gezeigten Teile weinrot und braun anmalen.

**FOTO 79.** Die bereits in die Einkerbungen auf dem Boden der oberen Etage eingesetzten Bänke festkleben.

**FOTOS 80 und 81.** An den Platz neben dem Einzelsitz den Unterbau des Stangenstromabnehmers 146, die Säule 147 und die Abschlussteile 148 und 149 einsetzen und ankleben. Die Säule rot und ockerfarben anmalen. Den Scheinwerfer 150 metallfarben lackieren und die Glühbirne weiß. Die Scheiben 151 an beiden Seiten aufkleben. Den Scheinwerfer an die Stange 152 kleben, und an die Stange an Teil 76 des Bodens kleben. Die Stange schwarz anmalen.

**FOTO 82.** Die Kurbel 153 lackieren und an den Unterbau kleben. Den Bolzen 157 formen und befestigen. Die Dekorationen 154, 155, und 158 aufkleben. An das Fenster das Schild 22 und die Leuchte 121 kleben. Den Haltegriff 156 aufkleben und lackieren. Den Scheinwerfer 159 mit dem Glas 160 zusammenkleben.

**FOTO 83.** Die Dekoration der Seitenteile 161 aufkleben. An die Unterlage 162 das Plakat 163 kleben und das Plakat an die vorgesehene Stelle kleben.

**FOTO 84.** Das Rad des Stangenstromabnehmer 164 aufkleben, den Stangenstromabnehmer 165, die Verstrebung 166 und das Kabel 167 aufkleben. Baugruppe metallfarben lackieren und an den Unterbau kleben. Die Dekorationen 168, die oberen Seitenteile 169 und die auf die Unterlagen 171 geklebten Plakate 170 aufkleben. Abschließend den 172 um den Bodens der ersten Etage kleben. Die Leiste gut anfeuchten, damit sie biegsam wird. Anschließend schwarz anmalen.

Wir hoffen, dass Sie viel Freude mit diesem Bausatz haben und Ihnen der Zusammenbau dieses interessanten maßstabsgerechten Modells Spaß macht. Vielen Dank, dass Sie sich für einen OCCRE-Bausatz entschieden haben. Vielen Dank, dass Sie sich für einen OCCRE-Bausatz entschieden haben.

OCCRE

## ФОТО 1.

В первую очередь необходимо правильно идентифицировать детали и на фанерных листах и для этого их надо пронумеровать согласно схем **IP**, которые Вы найдете на последней странице данного руководства.

## ФОТО 2.

Используя модельный нож, отделите детали от листов. Затем мелкозернистой наждачной бумагой уберите шероховатости и отложите для последующей сборки, окраски или лакировки.

ФОТО 3. Вставьте и приклейте опорные стойки **2** к основанию **1**. Используйте клей ПВА.

ФОТО 4. Установите и приклейте переднюю часть скамеек **3** и рейки **4**. Используйте клей ПВА.

## ФОТО 5.

Начиная от рейки **4**, приклейте рейки **5**, пока Вы полностью не склеите сиденья и спинки скамей. Хорошо отшлифуйте их, а затем покройте лаком.

## ФОТО 6.

Покройте рейки **6** и **7** морилкой, цветом сапеле и приклейте их к передней части скамей. Используйте клей ПВА.

ФОТО 7. Приклейте к полу рейки **8**, оставив между рейками зазор 1 мм.

## ФОТО 8.

После окраски реек пола в светло-серый цвет, работа на д. полом, как и скамейками можно считать законченной.

ФОТО 9. Отделите от листа детали **9**, **10** и **11**, для сборки передней части вагона.

## ФОТО 10.

Окрасьте двери **12** с одной стороны в бордовый цвет и в цвет сапеле с другой (внутренней) стороны. Вырежьте оконные стекла **13** и приклейте их на двери.

## ФОТО 11.

Покрасьте торцы дверей и окон в кремовый цвет. Склейте вместе части **9-11**, установив между ними двери. Двери не приклеивать, они должны свободно двигаться!

## ФОТО 12.

Покрасьте верхнюю часть панелей в бордовый цвет и нижнюю часть в кремовый. Приклейте часть декорации **14** на внешнюю панель.

## ФОТО 13.

Приклейте передние части к основанию трамвая, убедившись, что окрашенные стороны обращены наружу. Используйте клей ПВА.

## ФОТО 14.

Установите боковые панели **15** и **16** и приклейте их на местах, собрав центральную часть нижнего салона. Используйте клей ПВА. Покройте лаком внутреннюю часть салона.

ФОТО 15. Вставьте и приклейте на места нижние планки **17**. Зашпаклюйте щели и зашлифуйте обе стороны.

## ФОТО 16.

В основании каждой опоры **18** просверлите отверстие диаметром 1 мм, чтобы в них можно было установить рым-болты, а затем окрасьте их в цвет сапеле. Приклейте их к внутренней части салона. Используйте клей ПВА.

ФОТО 17. Приклейте на места плакаты и надписи **19** и **20**, как показано на ФОТО. Используйте клей ПВА.

ФОТО 18. Приклейте на места плакаты и надписи **21** и **22** как показано на ФОТО.

ФОТО 19. Отрегулируйте длину и вставьте рым-болты **23** в каждую из опор **18**.

## ФОТО 20.

Пропустите отрезок нити через каждый из **24** рым-болта, нить должна слегка провисать. Выше нити установите, и приклейте отрезок проволоки **25**.

## ФОТО 21.

Покрасьте ручки дверей **27** в золото и приклейте их по обе стороны дверей. Приклейте табличку **28** как показано на ФОТО.

## ФОТО 22.

Окрасьте лампы **28** в белый и золотой цвет и приклейте их на местах в нижнем салоне. Используйте секундный клей.

ФОТО 23. Окрасьте перекладины крыши **29** в цвет сапеле и приклейте их на опоры нижнего салона.

## ФОТО 24.

Приклейте стекло **31** в раму **30**. Окрасьте одну сторону в цвет сапеле. Приклейте раму окна в оконный проем.

#### ФОТО 25.

Покрасьте рамы **32** в цвет сапел е и вклейте оконные стекла **33** и в конце приклейте рамы в оконные проемы по обе стороны вагона.

#### ФОТО 26.

Склейте рекламные объявления **34** вместе, а затем поместите их в маленькие окна на каждом конце вагона. Использовать клей ПВА.

#### ФОТО 27.

Обрежьте оконные стекла для больших окон **35**, для каждой из сторон, а затем приклейте их на места.

ФОТО 28. Приклейте декорацию потолка **36** на перекладины крыши.

#### ФОТО 29.

Отрежьте по размеру и приклейте рейки **38** на платформах **37**, оставляя зазор между ними в 1 мм. После окрасьте все в серый цвет.

ФОТО 30. Покрасьте переднюю часть ступеней **39** в черный и затем приклейте на них детали **41** вместе с уголком **40**.

#### ФОТО 31.

Приклейте ступени **42, 43, 44, 45, 46, 47** и **48** на основания **39**. Приклейте на ступени кусочки латунной полоски **49**.

#### ФОТО 32.

Приклейте первые две ступени к платформе, следуя числовому порядку. Убедитесь, что они установлены точно вертикально.

#### ФОТО 33.

Установите и приклейте платформы к основному корпусу трамвая, а затем приклейте на места ребра **50, 51, 52, 53** и **54**.

#### ФОТО 34.

Продолжайте приклеивать ступени. Убедитесь, что они правильно установлены, они должны плавно закругляться к вагону. Использовать клей ПВА.

#### ФОТО 35.

Продолжайте приклеивать ступени, следуя порядку, указанному в ФОТО, а затем окрасьте заднюю ступеней в кремовый цвет, а сами ступени в серый.

#### ФОТО 36.

Приклейте шаблон на алюминиевую полосу, используя клеящий карандаш, вырежьте части **55** и **56**, а затем установите и приклейте их к лестнице.

#### ФОТО 37.

Окрасьте внутреннюю поверхность в серый цвет, после приклейте декорации **57** и **58** на внешние стороны.

#### ФОТО 38.

Отшлифуйте детали **59**, после замочите их в воде, чтобы размягчить их. После приклейте их к платформе. Используйте секундный клей.

#### ФОТО 39.

Покрасьте внутреннюю сторону приклеенной панели в серый цвет, а наружную в бордовый цвет.

#### ФОТО 40.

Согните латунную проволоку **60** по форме ограждения передней части вагона, а затем приклейте ее к верхнему краю и бокам передних частей.

#### ФОТО 41.

Нарежьте из проволоки оконную решетку **61** и приклейте их поверх окна, на расстоянии 5 мм от края и между прутьями решетки. Используйте секундный клей.

#### ФОТО 42.

Изготовьте из латунной проволоки рукоятку стояночного тормоза **62**, вставьте в отверстие первой ступени и приклейте секундным клеем.

#### ФОТО 43.

Изготовьте бампер, склеив вместе части **63** и **64**. Используйте клей ПВА. Вставьте в бампер гвоздики **A** и приклейте их.

ФОТО 44. Установите и приклейте бампер к платформе, как показано на ФОТО.

ФОТО 45 и 46. Сточите углы на концах бампера и покрасьте его в черный цвет.

#### ФОТО 47.

Начните укладывать пол второго этажа **65** с центральных реек **66**. Продолжайте укладку реечками **67** и небольших отрезков **68** поперек. Оставьте между рейками зазор 1 мм. Используйте клей ПВА.

#### ФОТО 48.

С обратной стороны пола второго этажа с обоих концов, установите и приклейте упоры 69, 70, 71 и 72. Используйте клей ПВА.

ФОТО 49. Установите и приклейте центральную планку 73 и полукруглую арку 74. Используйте клей ПВА.

#### ФОТО 50.

Поверх приклеенной арки 74 приклейте тонкую арку 75. Прodelайте этот шаг с другой стороны. Покрасьте приклеенные детали в кремовый цвет, а затем, используя секундный клей, приклейте детали 76, как указано в ФОТО.

#### ФОТО 51.

Установите и приклейте платформу второго этажа к вагону, следя, чтобы выступы на нижней части вагона правильно вошли в пазы верхней платформы. После окрасьте пол в серый цвет.

ФОТО 52. Склейте опоры оси 78, используя перемычку 77. Используйте клей ПВА.

#### ФОТО 53.

Склейте основание колесной пары из деталей 80 и 79 и затем установите и приклейте на места опоры осей.

#### ФОТО 54.

Прикрутите, но не приклеивайте основание колесной пары к нижней части трамвая с помощью шурупов В. После окрасьте собранную тележку в серый цвет.

#### ФОТО 55.

Установите колеса 82 на концы осей 81. Колеса должны быть прикреплены к осям, но оси должны иметь возможность вращаться. Покрасьте колеса и оси в черный цвет.

#### ФОТО 56.

Склейте вместе части 83 и 84 вместе, чтобы получилась балка для рессор. Используйте клей ПВА. Приклейте рессоры 85 и пружины 86 к верхней и нижней балке 87. Используйте секундный клей.

#### ФОТО 57.

На верхней стороне балки 87 установите и приклейте пружины 89 и штангу 91. С нижней стороны то же самое с пружинами 88 и штангой 92. Наконец, установите и приклейте втулку 90. Используйте секундный клей.

#### ФОТО 58.

С помощью секундного клея приклейте поперечную балку 93 и покрасьте собранную конструкцию в бордовый цвет.

ФОТО 59. Установите и приклейте окрашенную деталь на нижнюю часть трамвайной тележки.

ФОТО 60. Установите и приклейте упоры 94 и 95 для защитных балок колес.

#### ФОТО 61.

Изготовьте защиту колес, приклеив к изогнутым латунным полоскам 97 передние части 96. Затем приклейте кусок латунной проволоки 99 и рейки 98 оставляя между ними зазор в 3 мм.

#### ФОТО 62.

Приклейте колесную защиту к основанию. Используйте секундный клей. Покрасьте в бордовый и черный цвета, как показано на ФОТО.

#### ФОТО 63.

Приклейте тормозные колодки 100 на стержни 101 на расстоянии и от края, как указано на ФОТО. Используйте секундный клей.

#### ФОТО 64.

Теперь приклейте тормозные колодки к вагонной тележке. Колодки должны быть параллельны колесам. В конце окрасьте их в черный цвет, как на ФОТО.

#### ФОТО 65.

Соберите решетки бампера, склеив части 102, 103, 104 и 105. Используйте секундный клей, а затем покрасьте красной краской.

ФОТО 66. Приклейте стойки 106, возле лестничной клетки и. Используйте секундный клей.

#### ФОТО 67.

Вставьте стойку 107 в отверстие в нижней части платформы, а затем наклейте части 108, 109 и 110. Приклейте между стойками перила 111.

#### ФОТО 68.

Окрасьте внешнюю сторону в бордовый цвет, а внутреннюю в серый. Приклейте на место стойку 112, убедитесь, что она на одной линии со стойкой на верхней платформе. Приклейте деталь 76, как показано на ФОТО.

ФОТО 69. Склейте части **113**, **115** и **116** на основании **114** и окрасьте в черный и золотой, как на ФОТО.

ФОТО 70.

Окрасьте опору **118** в черный цвет и приклейте к передней части платформы , а затем приклейте панель управления трамвая .

ФОТО 71.

Сделайте в детали **119** два отверстия диаметром 1,5 мм и глубиной 5 мм, на расстоянии как указано на ФОТО , после вставьте на клей два штифта **120**.

ФОТО 72.

Приклейте 24 стойки **106** на верхней платформе и окрасьте их в золотой цвет . Покрасьте панель **119** в коричневый цвет, приклейте фонари **121**, накладку **122** и табличку **123**. Установите и приклейте собранную панель к верхней платформе .

ФОТО 73.

Сделайте ступени, используя части **124**, **125**, **126** и **127**. Используйте клей ПВА. Боковые части окрасьте в черный цвет, а сами ступени в серый.

ФОТО 74. Приклейте ступени к платформе . Установите и приклейте ручки **128** и **129**, приклеив упор **76**.

ФОТО 75.

Окрасьте перегородки **130** и **131**, поддерживаемые соответствующими стойками , изнутри в серый цвет. Приклейте внешние панели **132**. Предварительно , детали **131** и **132** необходимо замочить в теплой воде , чтобы их можно было легко согнуть в требуемую форму. Снаружи окрасьте в кремовый цвет .

ФОТО 76.

Согните латунную проволоку **133**, чтобы она соответствовала форме лестничной клетки и выровняйте латунную проволоку **134**, приклейте их на стойки над боковыми панелями и на концах. После приклейте на места прямые секции **135**. Приклейте между стойками сетки **136** и **137**.

ФОТО 77.

Окрасьте сиденья скамей **138** и **139** в коричневый цвет . Для имитации дощечек, карандашом , на расстоянии 2 мм проведите параллельные линии.

ФОТО 78.

Приклейте ножки **140** к основанию и вставьте опоры **141**. Приклейте на места спинки **142** и **143**. Вставьте отрезки латунного провода **144** и **145**, чтобы соединить ножки. Покрасьте в бордовый и коричневый цвета , как показано на рисунке .

ФОТО 79.

После того, как скамейки будут собраны, наклейте их на места , в предусмотренные для этого слоты, на полу верхней платформы.

ФОТО 80.

В пространстве , рядом с одноместной скамейкой , приклейте основание токосъемника **146**, стойку **147** и части крепления усов в **148** и **149**. Покрасьте стойку в коричневый цвет и в охру, как показано на ФОТО.

ФОТО 81.

Покрасьте светильник **150** в серебристый металл , а плафон лампы в белый цвет . С двух сторон приклейте стекло **151**, как показано на ФОТО . Приклейте лампу на стойку **152**, а стойку приклейте к полу на упор **76**. Окрасьте стойку в черный цвет .

ФОТО 82.

Окрасьте ручку **153** в бордовый и черный цвета и приклейте к стойке . Согните и приклейте шпильку **157**. Приклейте на места декорации **154**, **155** и **158**. Над окном приклейте надпись **22** и фонарь **121**. Окрасьте и приклейте ручки **156**, как показано на рисунке. Приклейте фонарь **159** и стекло **160** на фонарь .

ФОТО 83.

Приклейте на места боковые декорации **161**. На основании **162**, приклейте надпись **163** и затем приклейте на боковые панели трамвая .

ФОТО 84.

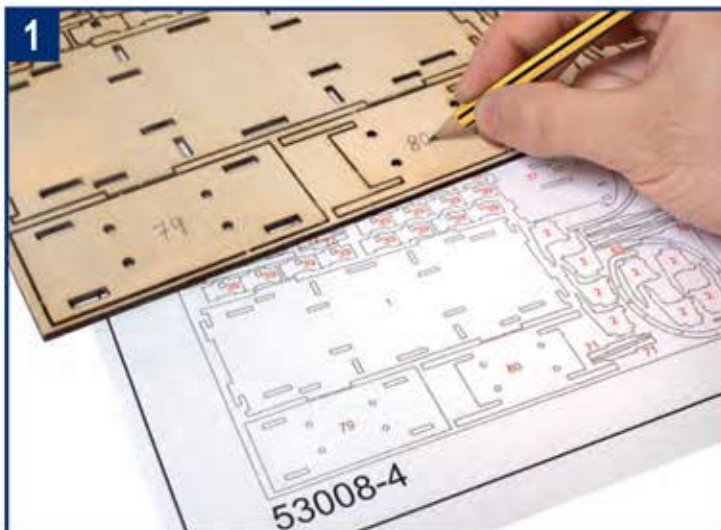
Приклейте токосъемник **164** на конце усов трамвая **165**, вместе с частью **166** и кабелем **167**. Окрасьте все в серебристый цвет и приклейте к основанию усов. Приклейте по бокам декорации **168** как показано на рисунке, над панелями **169** приклейте основание **171** с приклеенным плакатом **170**. В конце , вокруг пола верхней платформы приклейте выступ **172**. Для лучшего сгибания, рейку необходимо хорошо замочить в теплой воде. Окрасьте ее в черный цвет.

# London L.C.C. 106

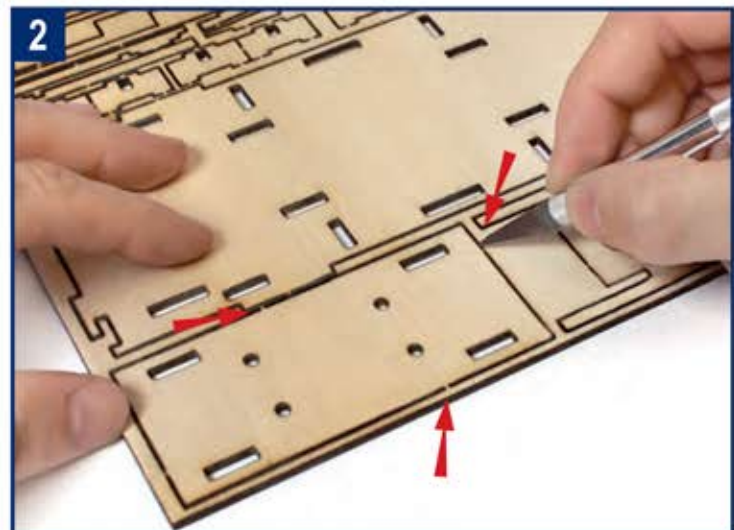
OcCre  
www.occre.com



Ref. 53008

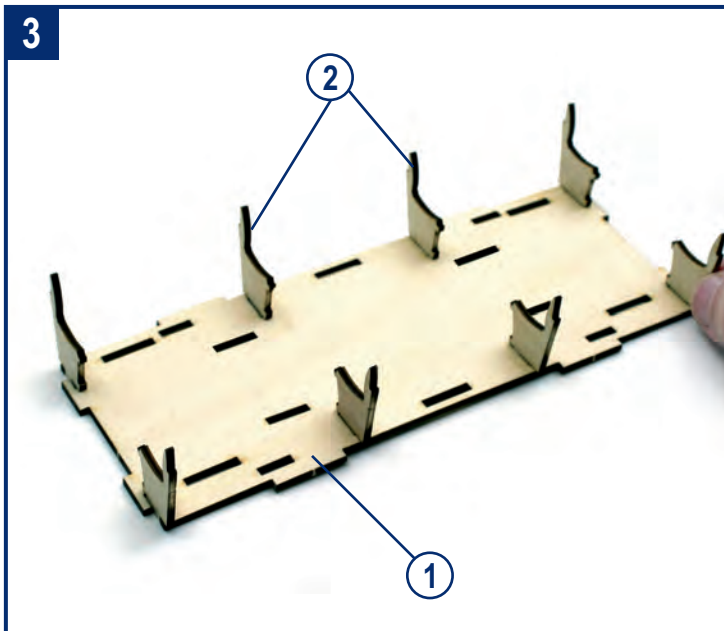


1  
Proceda a identificar correctamente las piezas. Para ello, numérelas como se indica en la hoja IP que se encuentra en las últimas páginas de este manual.

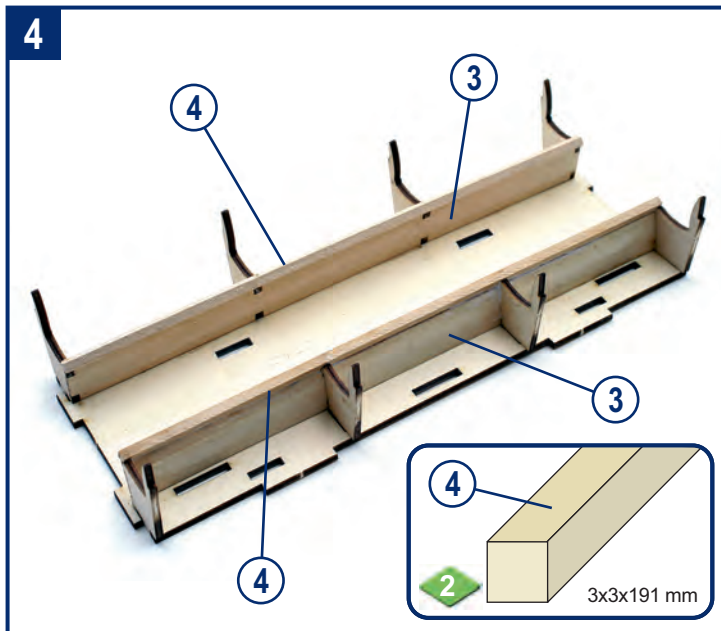


2  
Con un cutter desprenda las piezas de las planchas cortando los nervios. Lije con lija de grano fino para eliminar los repelos y dejarlas preparadas para pintar, barnizar o teñir.

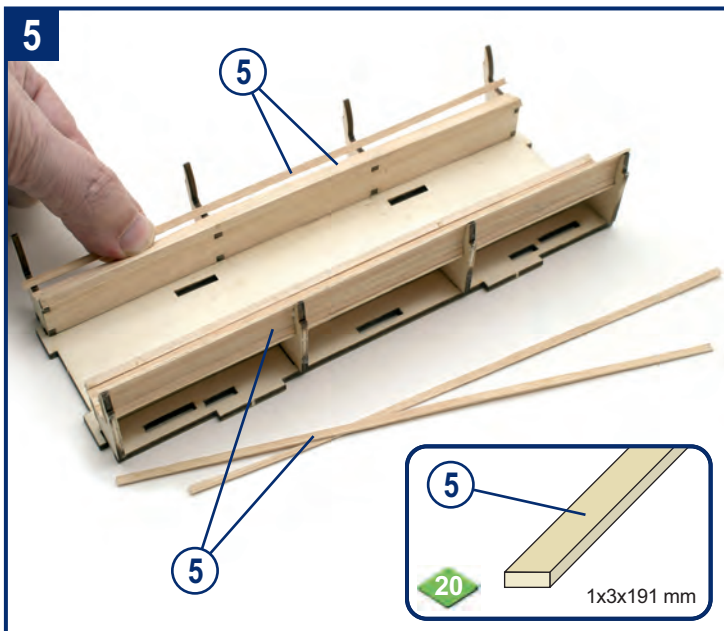




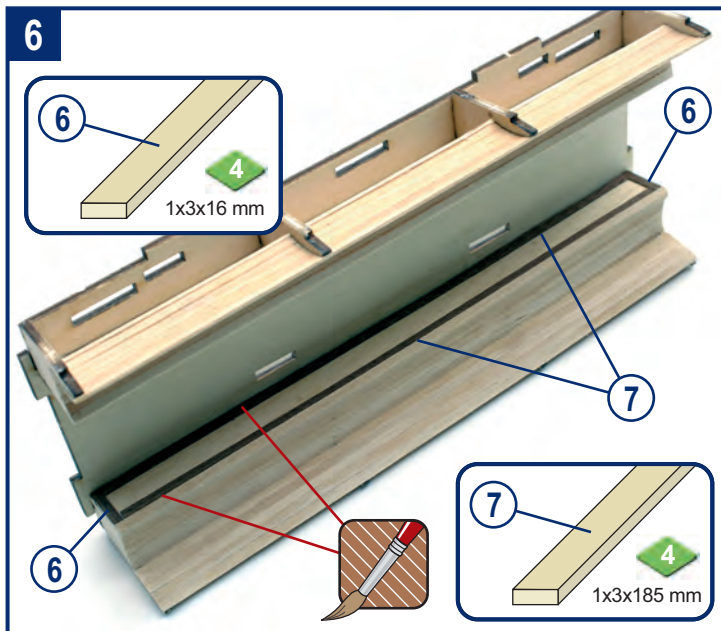
Encaje y encole sobre la base 1 los soportes de los bancos 2. Utilice cola blanca.



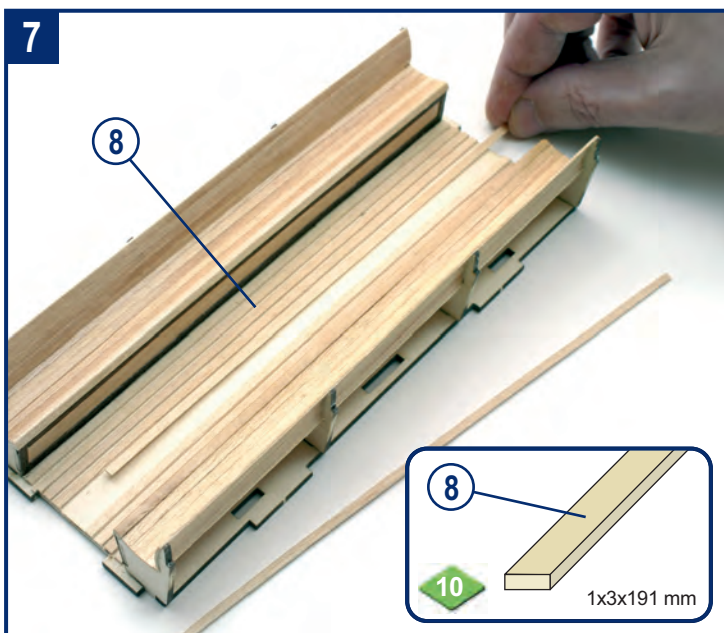
Encaje y encole los frentes de los bancos 3 y los listones 4. Use cola blanca.



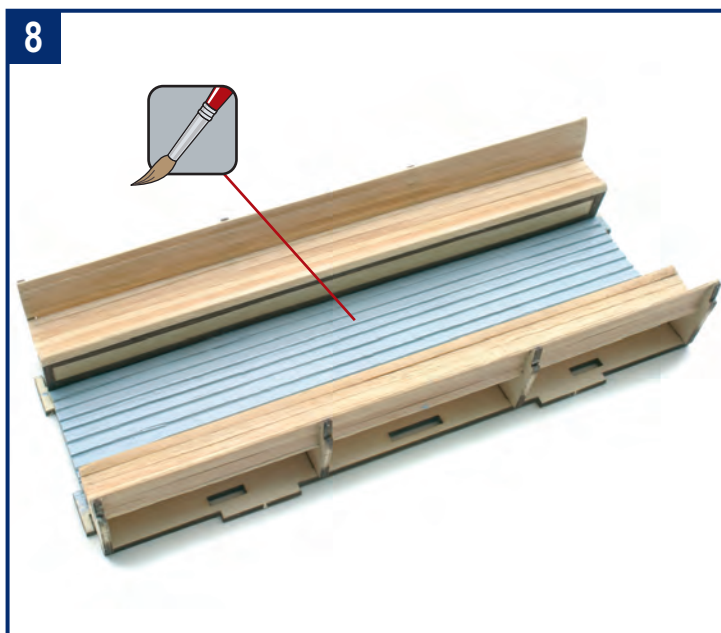
Encole los listones 5, a partir del listón 4 y hasta cubrir los bancos completamente. Lijelos bien y barnice. Use cola blanca.



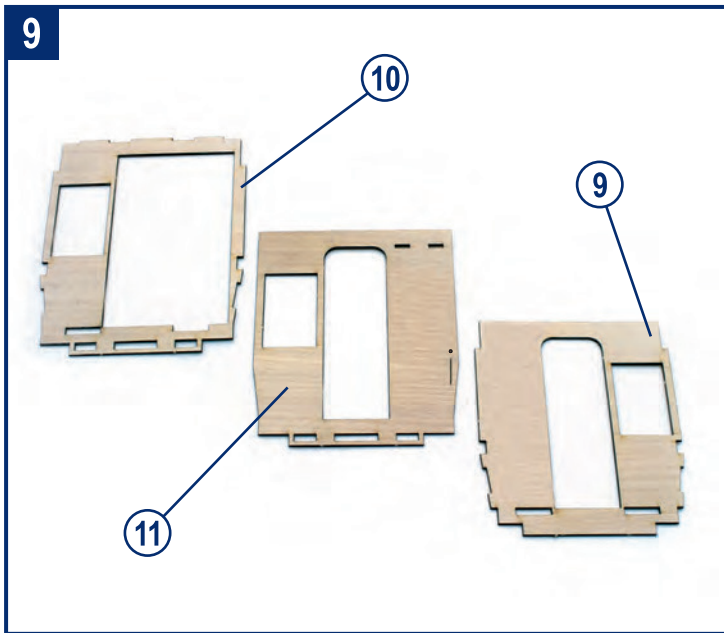
Tiña con tinte sapelli los listones 6 y 7 y péguelos en los frentes de los bancos. Utilice cola blanca.



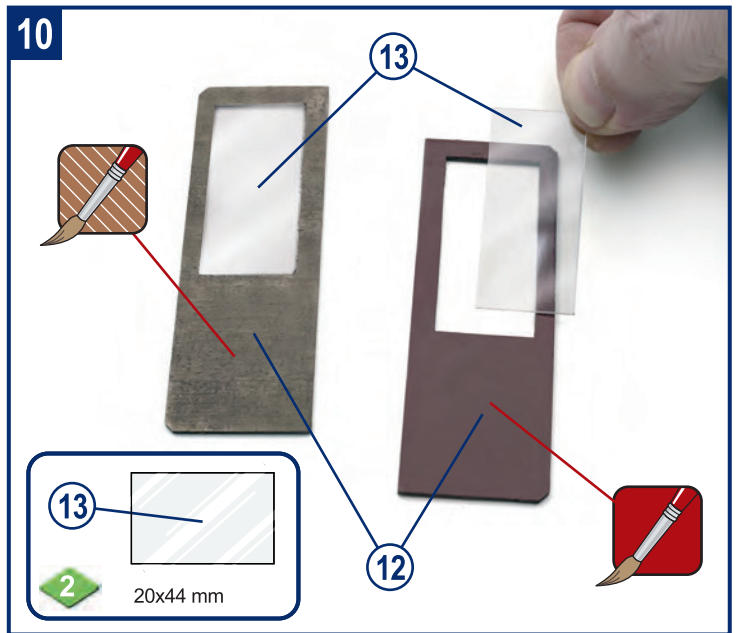
Con los listones 8, encole la tablazón dejando 1 mm de separación entre ellos. Use cola blanca.



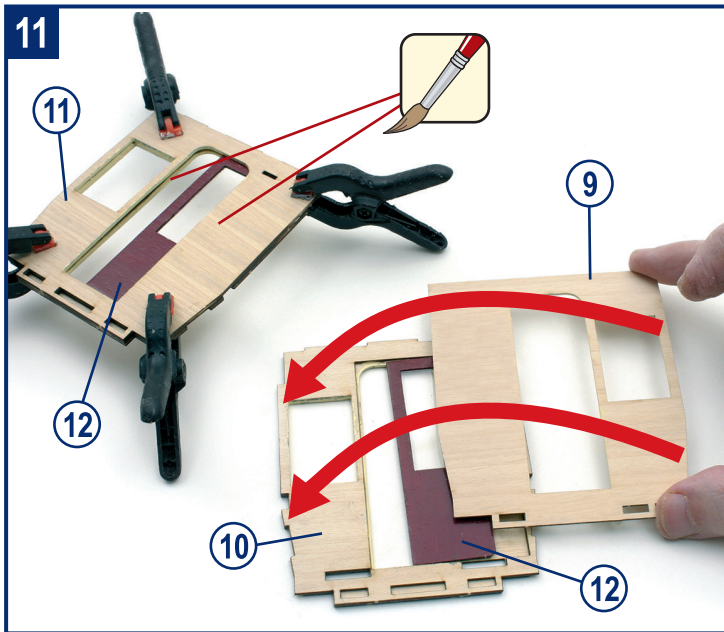
Después de pintar la tablazón de color gris claro, este el aspecto que debe tener el suelo y los bancos una vez montados.



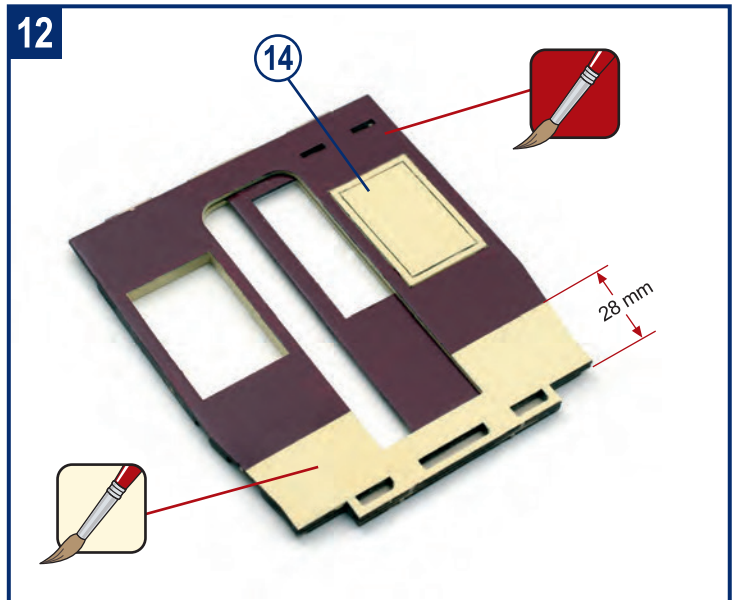
9  
Separe del troquel las piezas 9, 10 y 11 que formarán los frentes de la cabina.



10  
Pinte las puertas 12, de rojo burdeos por un lado y de sapelli por el otro. Recorte los cristales 13 y encóuelos en ellas.



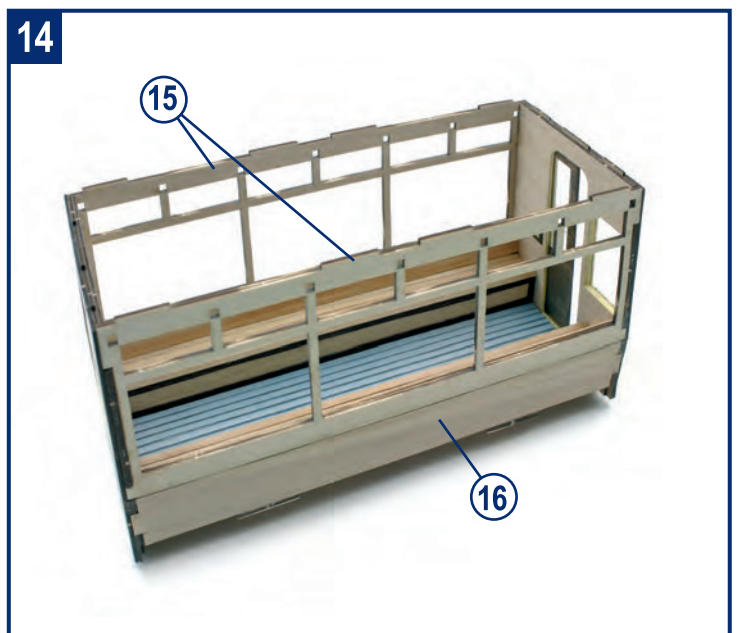
11  
Pinte de crema el bisel de puertas y ventanas. Encole entre sí los frentes colocando las puertas entre ellos sin pegar. Use cola blanca.



12  
Pinte la parte superior exterior de los paneles de color rojo burdeos y la inferior de crema. Encole las decoraciones 14 en la parte exterior de los paneles.



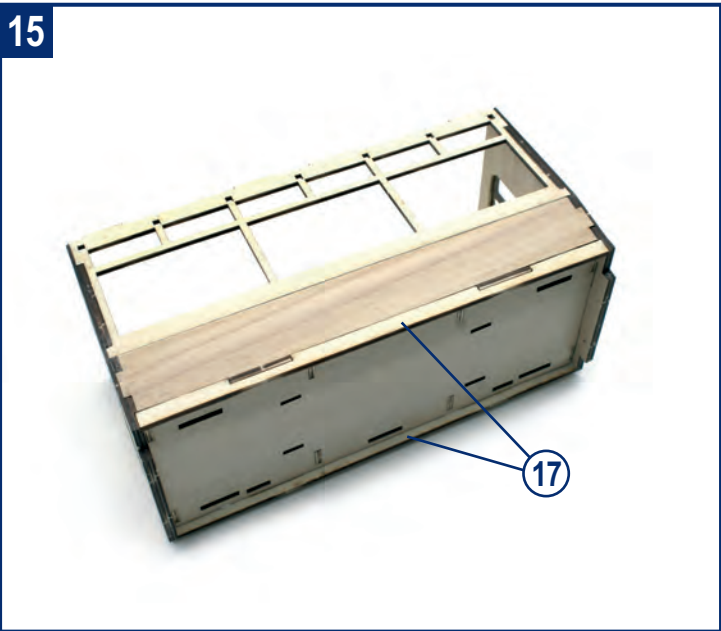
13  
Encole en el cuerpo de la cabina los frentes cuidando que queden las partes pintadas hacia el exterior. Utilice cola blanca.



14  
Encole los laterales 15 y 16 previa observación de la distribución de las lámparas de la imagen 22. Barnice el interior.

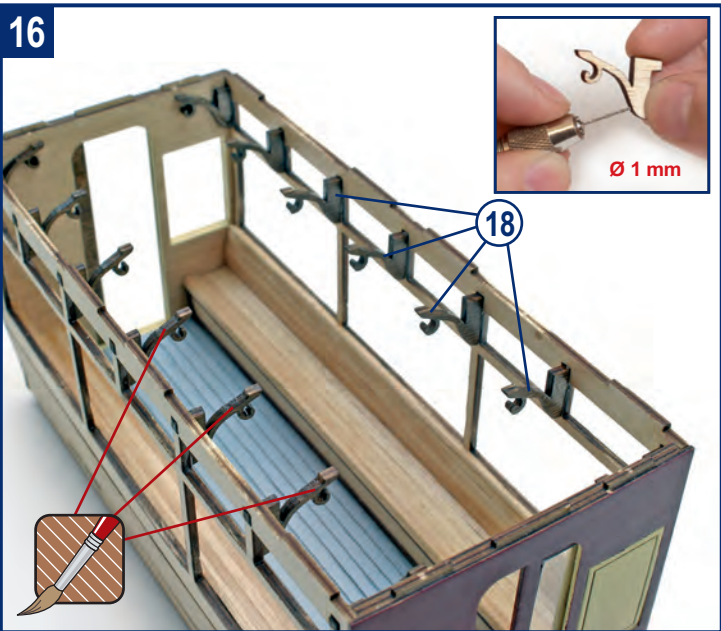


15



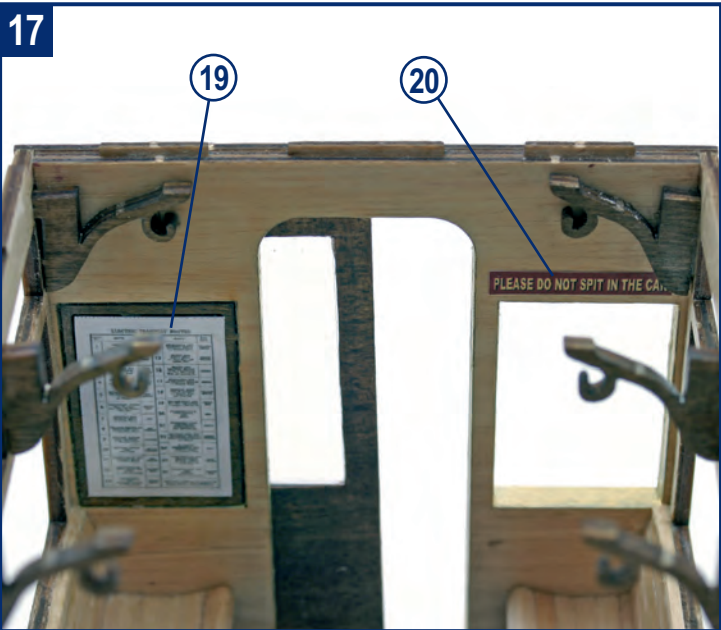
Encaje y encole los laterales bajos 17. Utilice cola blanca. Lije y enmasille el exterior de todos los laterales.

16



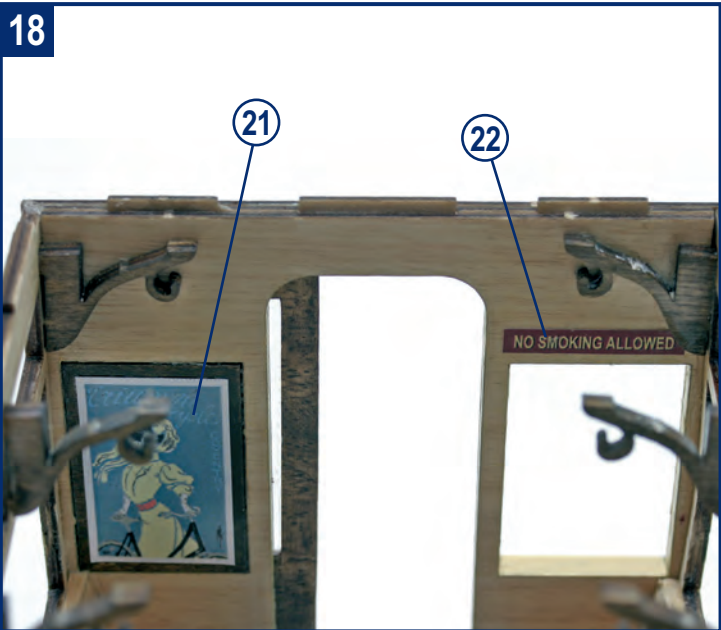
Realice un taladro de  $\varnothing 1$  mm en la base de cada soporte 18 para albergar un cáncamo. Tíñalos de sapelli y péguelos en el interior de la cabina. Use cola blanca.

17



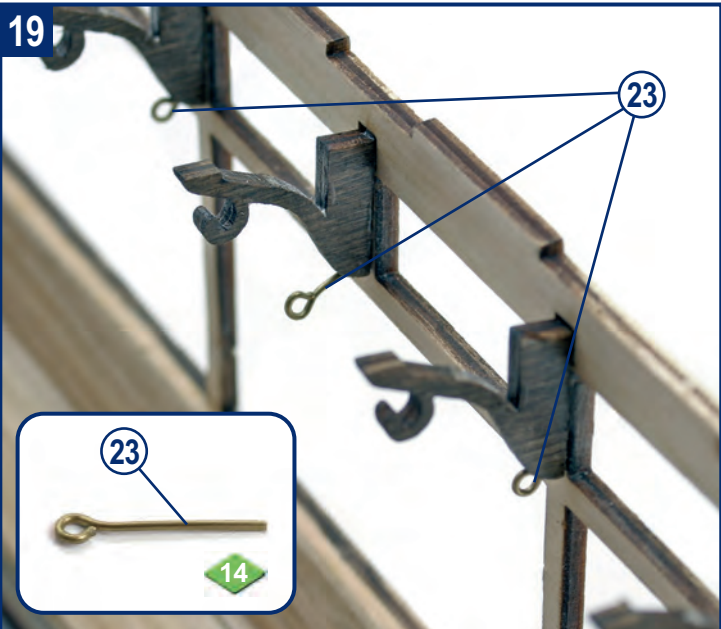
Encole los carteles y letreros 19 y 20 en las zonas indicadas en la imagen. Use cola blanca.

18



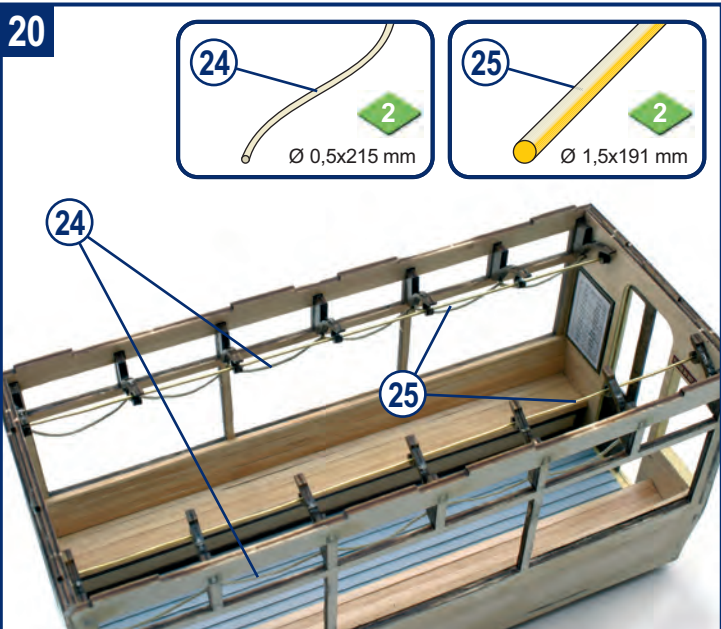
Encole los carteles y letreros 21 y 22 en las zonas indicadas en la imagen.

19



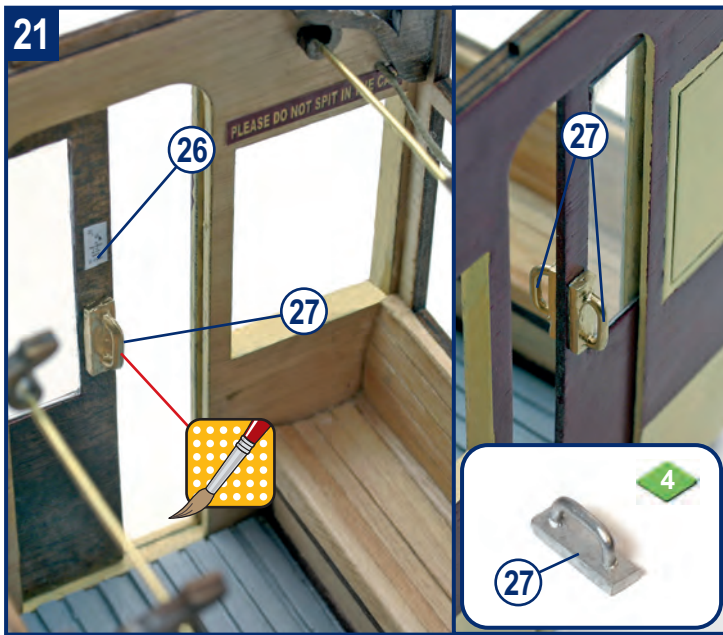
Ajuste la longitud y fije un cáncamo 23 en cada soporte 18.

20

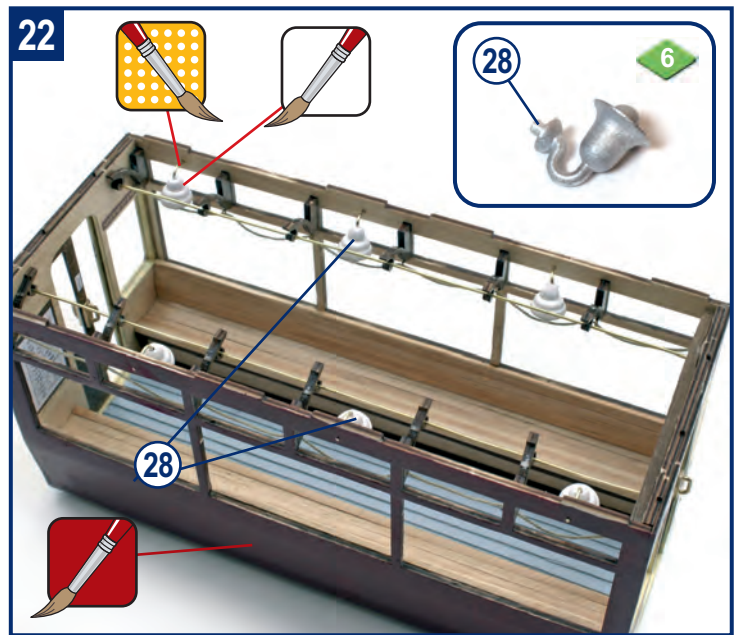


Pase a través de los cáncamos el hilo 24, dejándolo ligeramente flojo entre soportes. Por arriba, encaje y encole las barras 25.

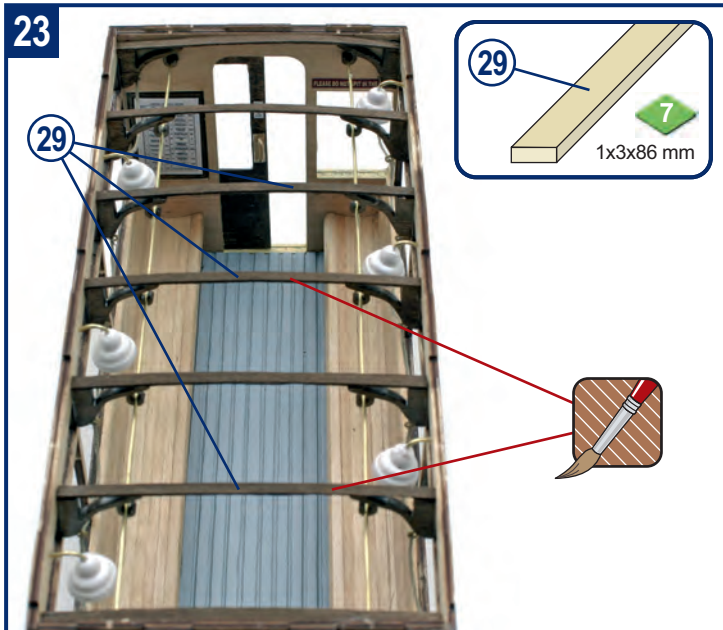




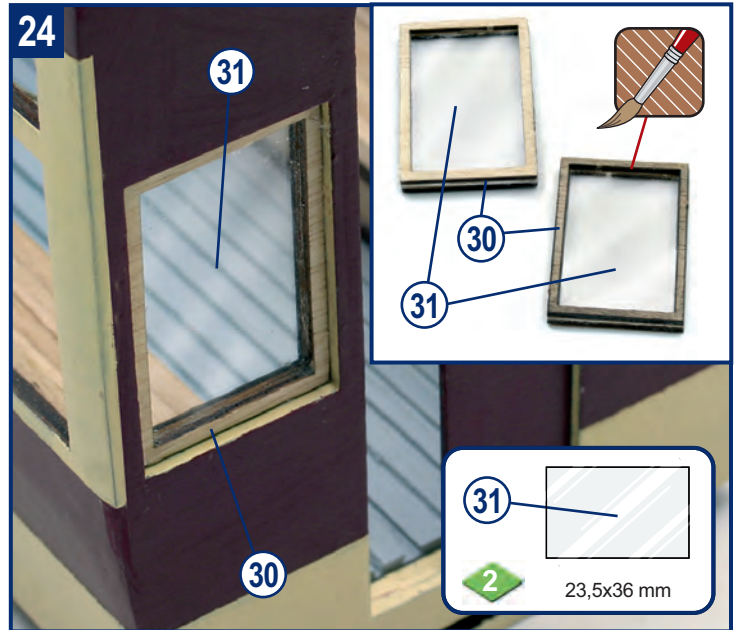
Pinte de color oro los tiradores **27** y péguelos por ambos lados de las puertas. Encole y pegue los carteles **26**.



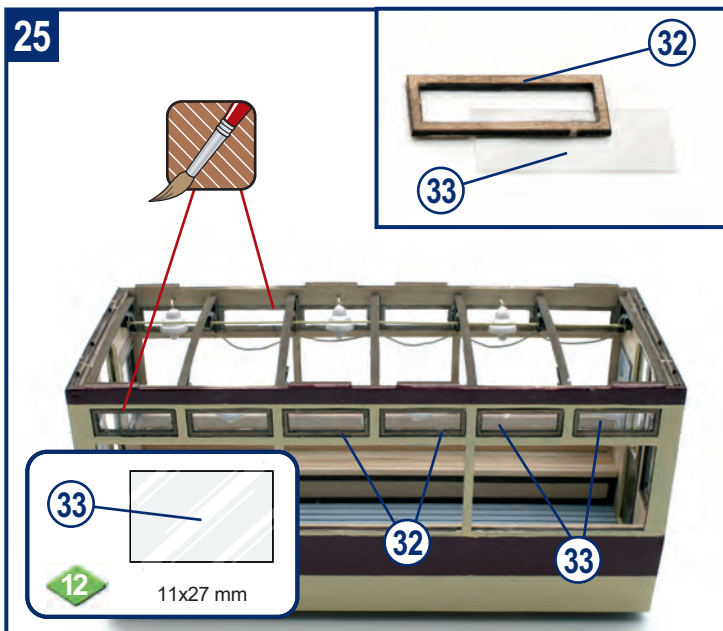
Pinte las lámparas **28** de color oro y blanco y péguelas en los laterales de la cabina. Pinte el exterior de la estructura como se muestra en las imágenes siguientes.



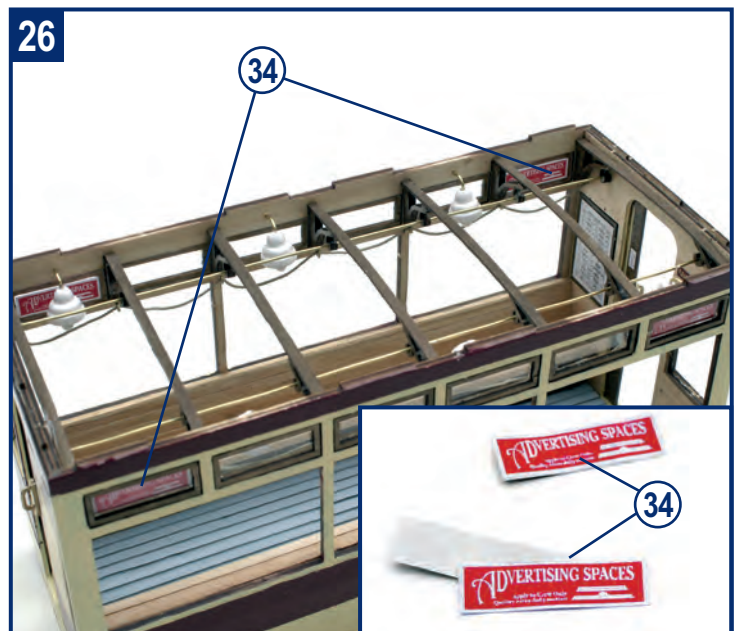
Tiña de color sapelli las vigas del techo **29** y encólelas sobre los soportes de la cabina. Use cola blanca.



Encole entre los marcos de ventana **30**, los cristales **31**. Tiña de color sapelli uno de los lados. Encole los marcos en las ventanas.



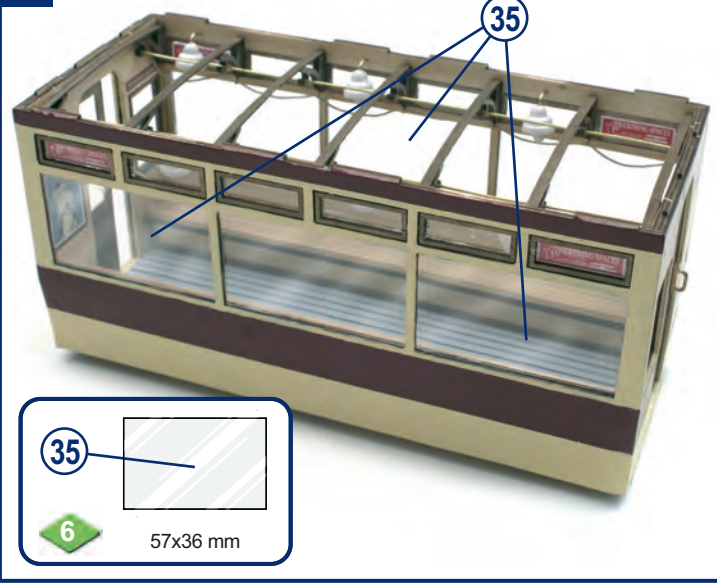
Tiña de sapelli los marcos de las ventanas **32** y encole en ellos los cristales **33**. Encole las ventanas completas en su lugar.



Encole entre sí los anuncios **34**. Después, fíjelos en las ventanas pequeñas de los extremos. Use cola blanca.

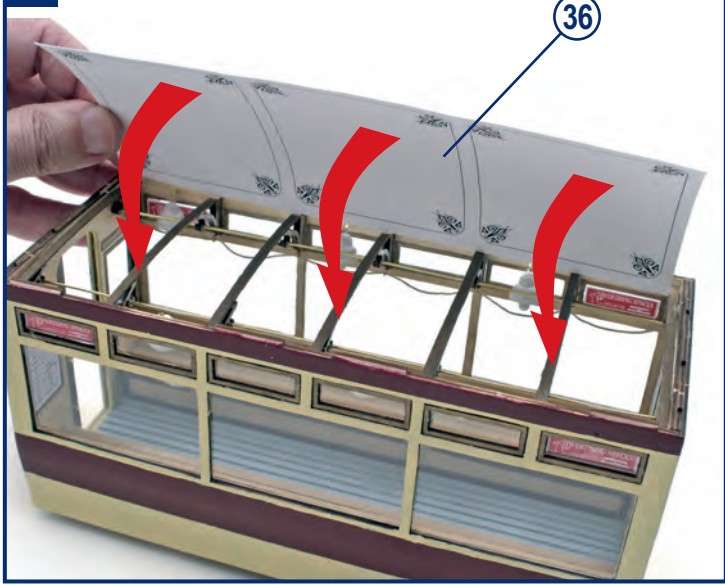


27



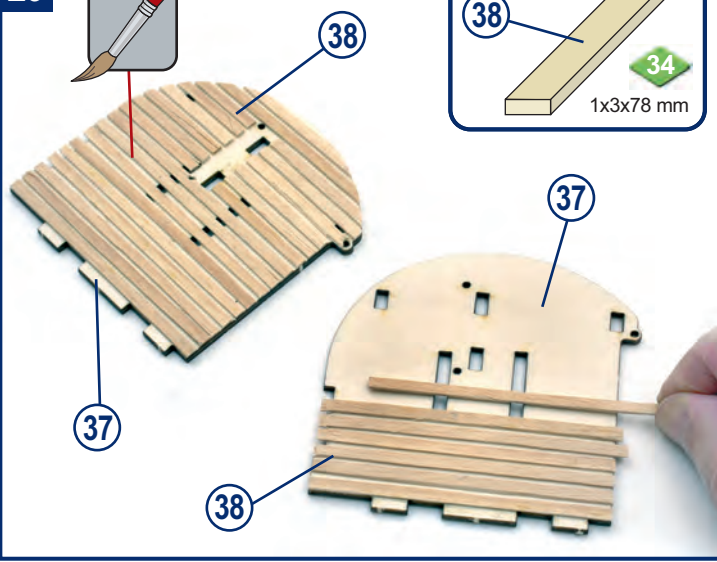
Recorte los cristales de las ventanas grandes de los laterales **35** y encócelos en su lugar.

28



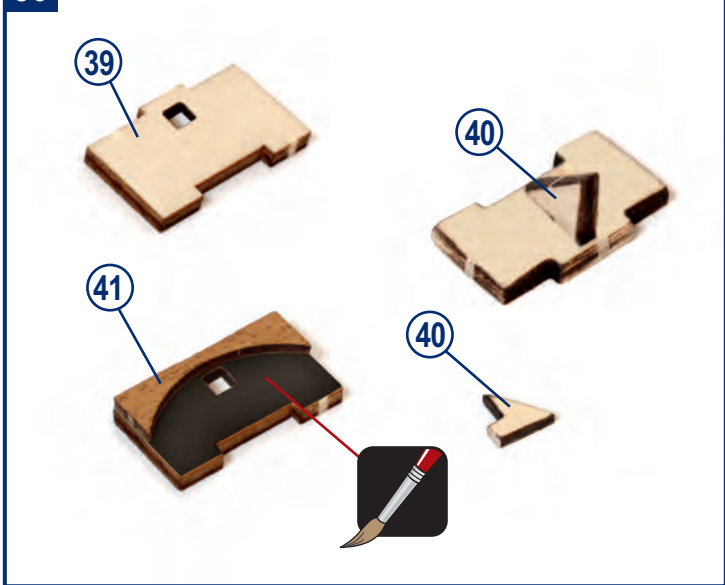
Encole sobre las vigas del techo la decoración **36**. Utilice cola blanca.

29



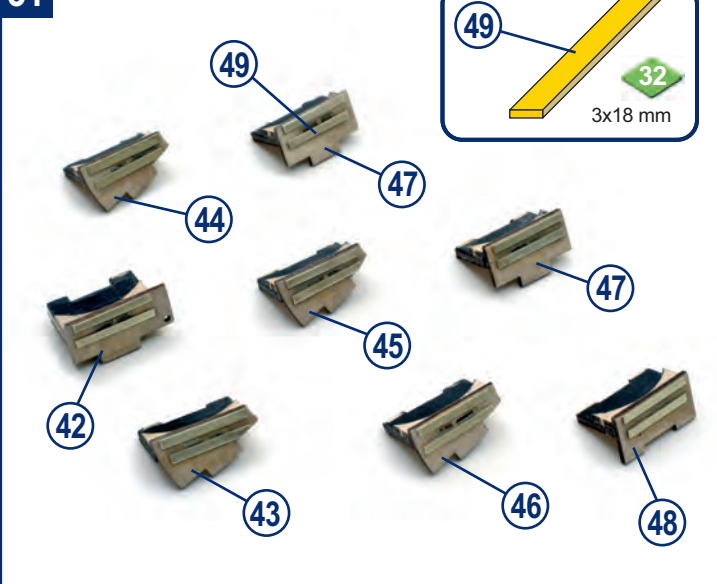
Corte a medida y pegue la tablazón **38** sobre las plataformas **37** dejando una separación de 1 mm entre listones. Use cola blanca. Después, pinte de color gris.

30



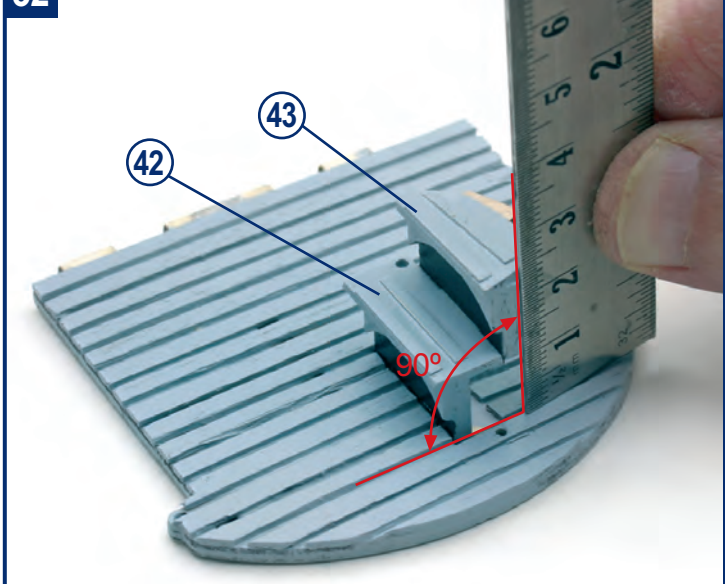
Pinte de color negro los frentes de los escalones **39**. Encole sobre ellos los remates **41** y las escuadras **40**.

31



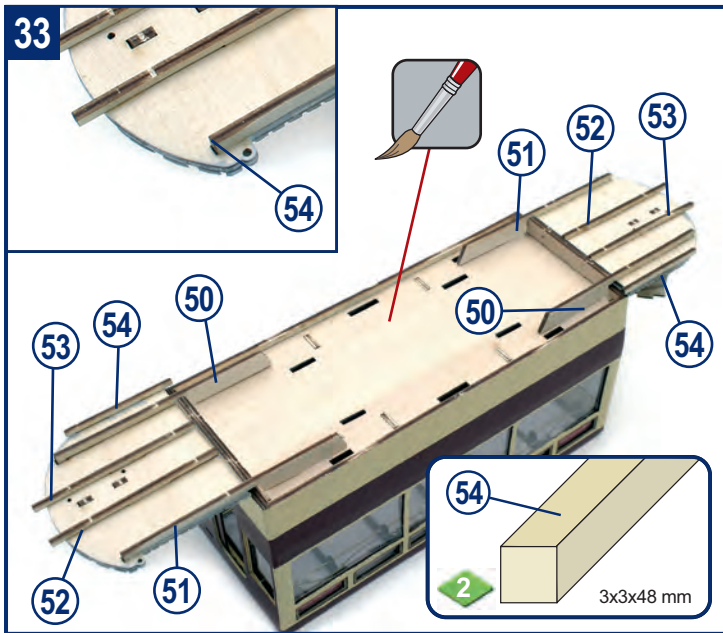
Encole los escalones **42**, **43**, **44**, **45**, **46**, **47** y **48** en los frentes **39**. Encole las piezas de fleje de latón **49** en los escalones.

32

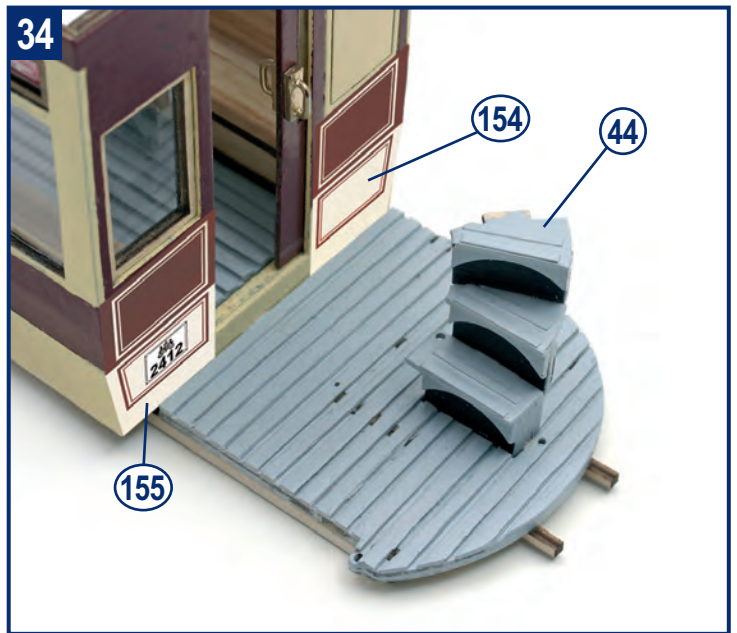


Encole los dos primeros escalones en las plataformas siguiendo el orden numérico. Compruebe que quedan perfectamente verticales.

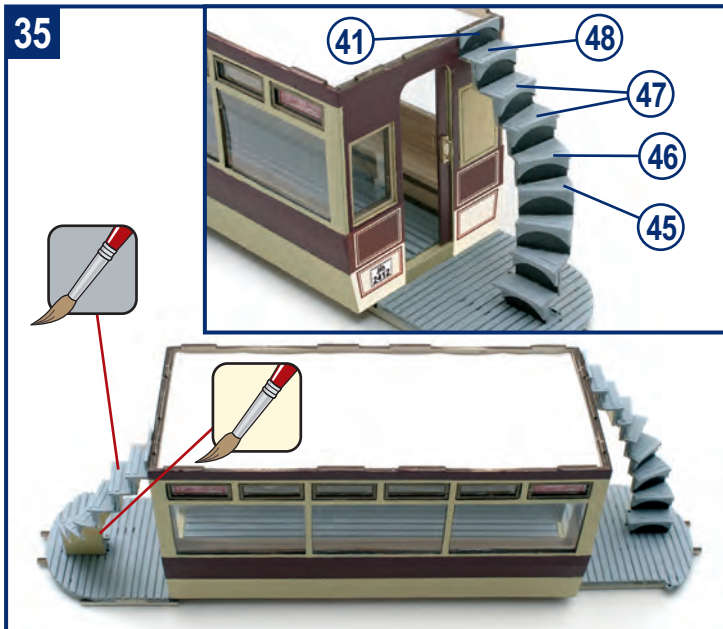




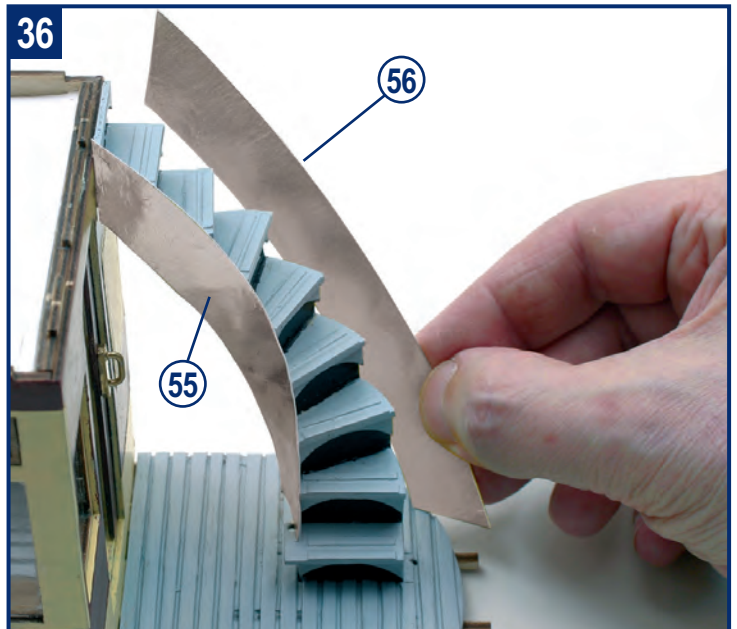
Encaje y encole las plataformas en el cuerpo central del tranvía. Después, encole los soportes **50**, **51**, **52**, **53** y **54**.



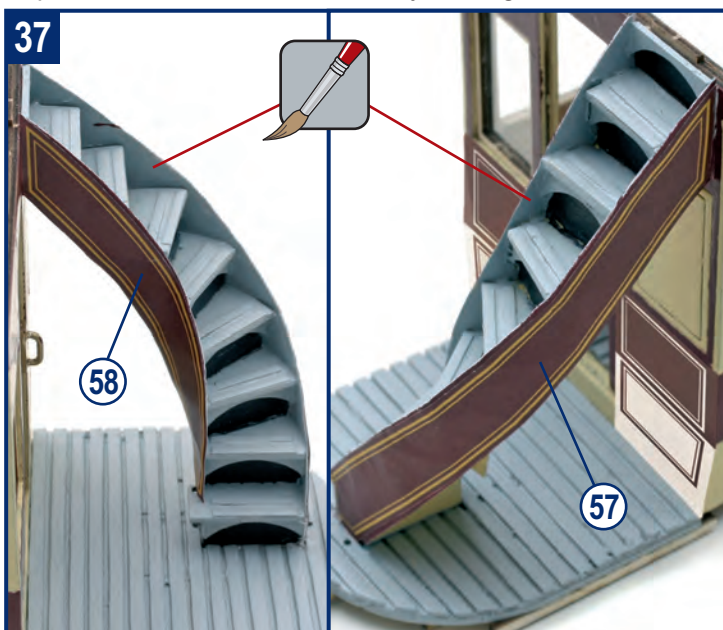
Coloque las decoraciones **154** y **155**. Utilice cola blanca. Continúe encolando los escalones. Cuide su encaje y procure que sigan perfectamente la inclinación.



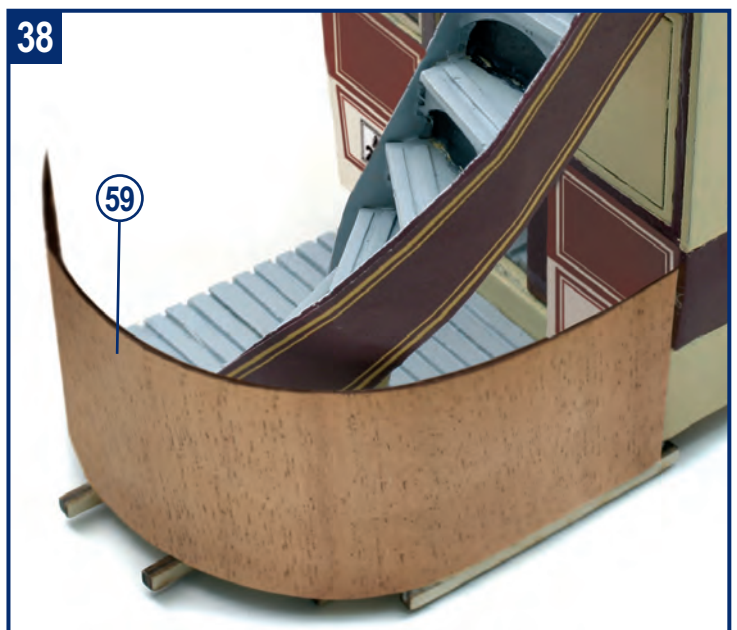
Continúe encolando y encajando los escalones siguiendo el orden numérico señalado en la imagen. Después, pinte de color crema la parte trasera de las escaleras y color gris los escalones.



Ajuste y pegue las piezas **55** y **56** a las escaleras. Es aconsejable, curvar previamente las piezas utilizando algún objeto cilíndrico.



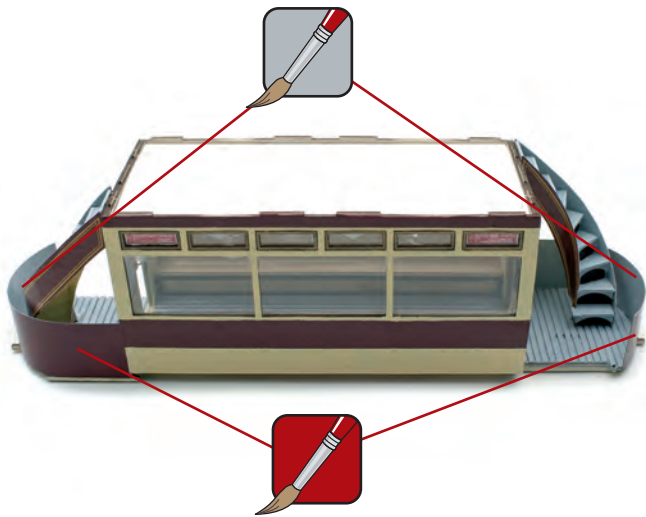
Pinte de color gris el interior de los laterales de las escaleras. Encole las decoraciones **57** y **58** en su parte externa.



Lije las piezas **59** y sumérgalas en agua para que se puedan curvar. Después, péguelas a las plataformas. Utilice cianocrilato.

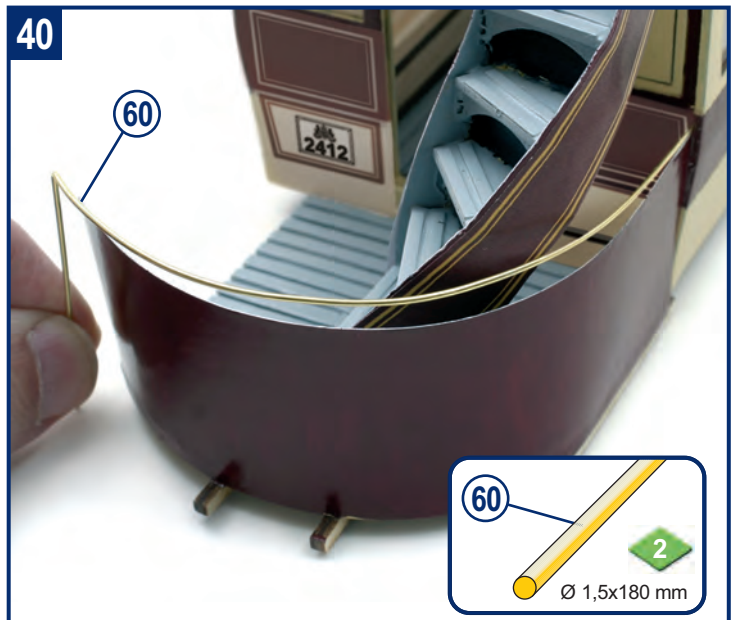


39



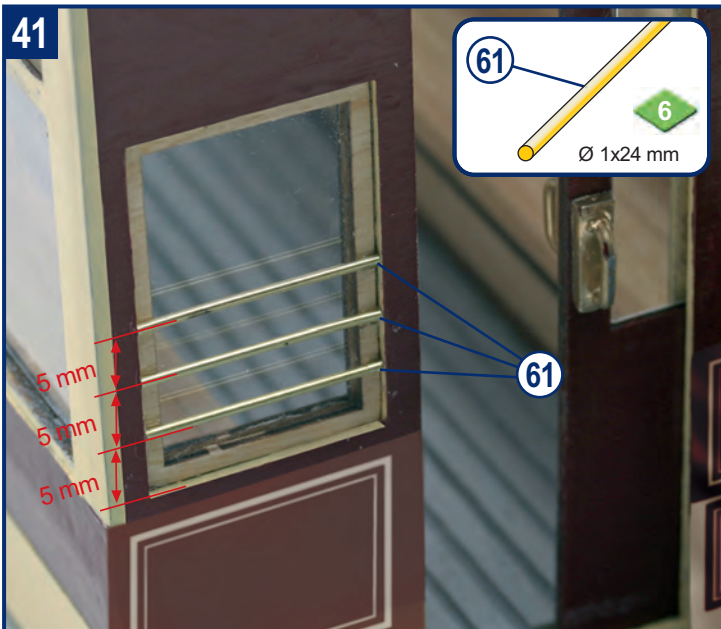
Pinte de color gris el interior de los frentes y de rojo burdeos el exterior de los mismos.

40



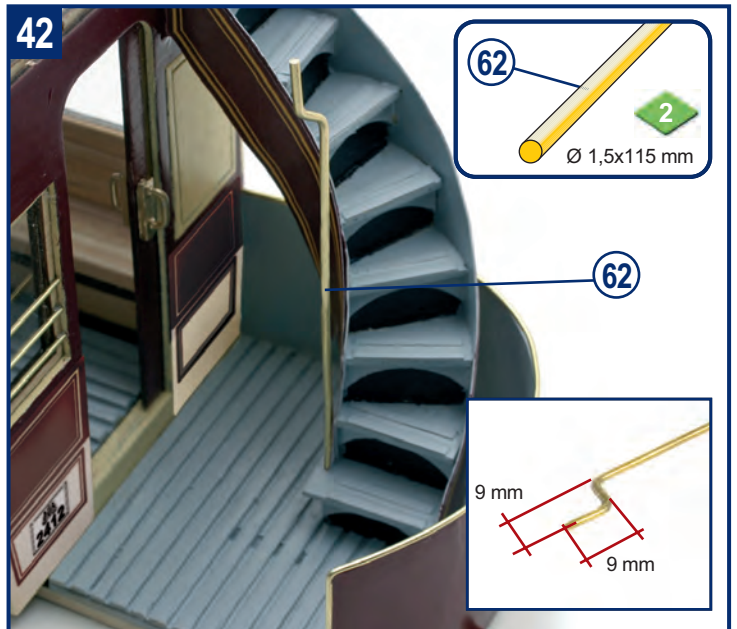
Adapte a la curva el hilo de latón **60** y péguelo por la parte superior y de los laterales de los frentes.

41



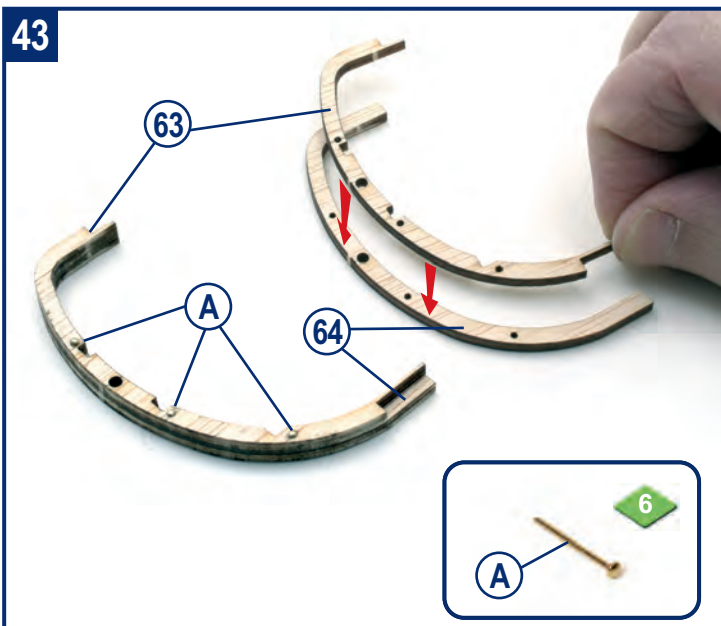
Corte los barros de las ventanas **61** y péguelos en las mismas, dejando 5 mm de separación entre ellos. Utilice cianocrilato.

42



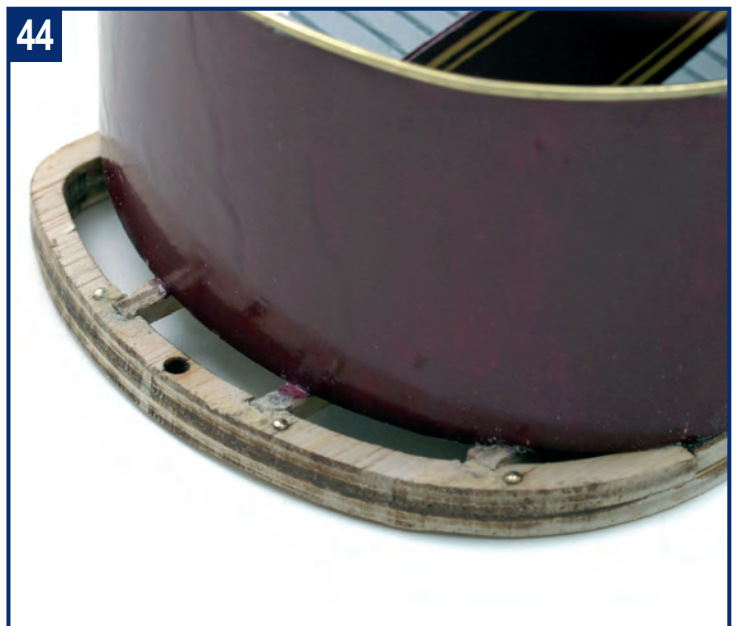
Elabore la barra **62** con hilo de latón. Inserte y fije la barra en el orificio del primer escalón. Utilice cianocrilato.

43



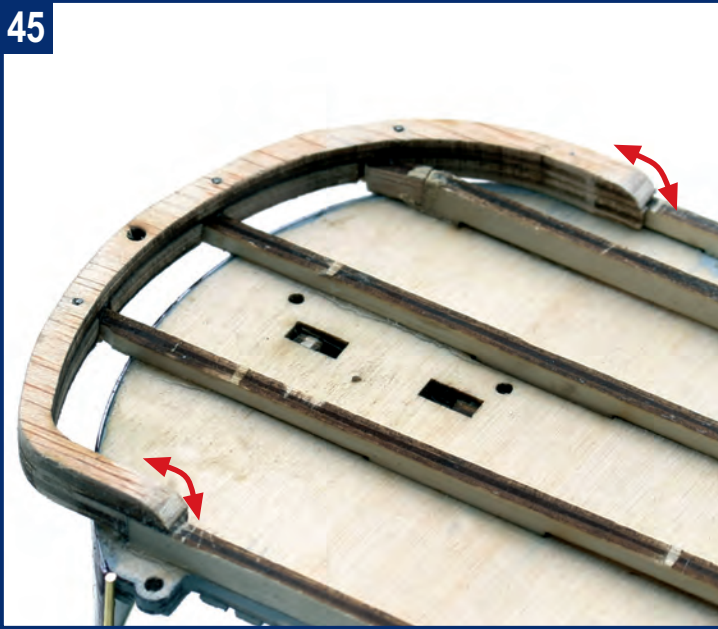
Encole las partes **63** y **64** para formar los parachoques. Use cola blanca. Clave y encole puntas **A** en la parte delantera.

44

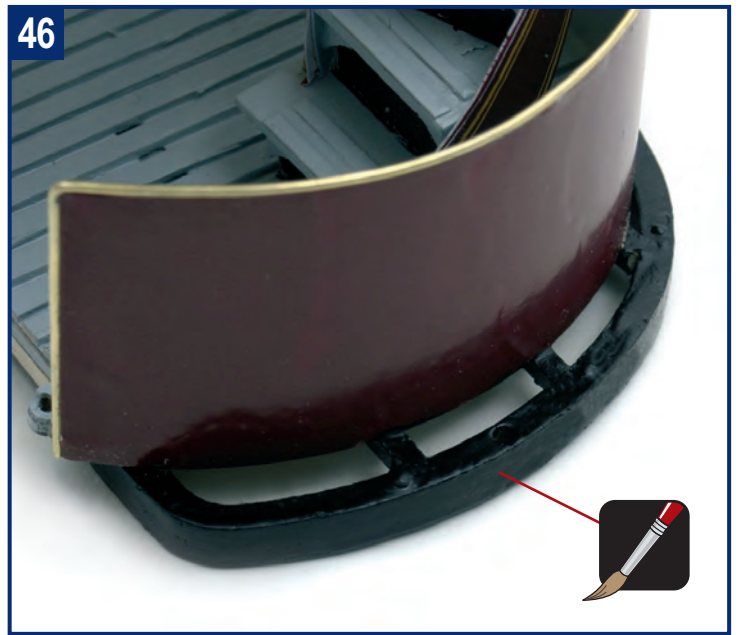


Encaje y encole los parachoques en los soportes de las plataformas. Utilice cola blanca.

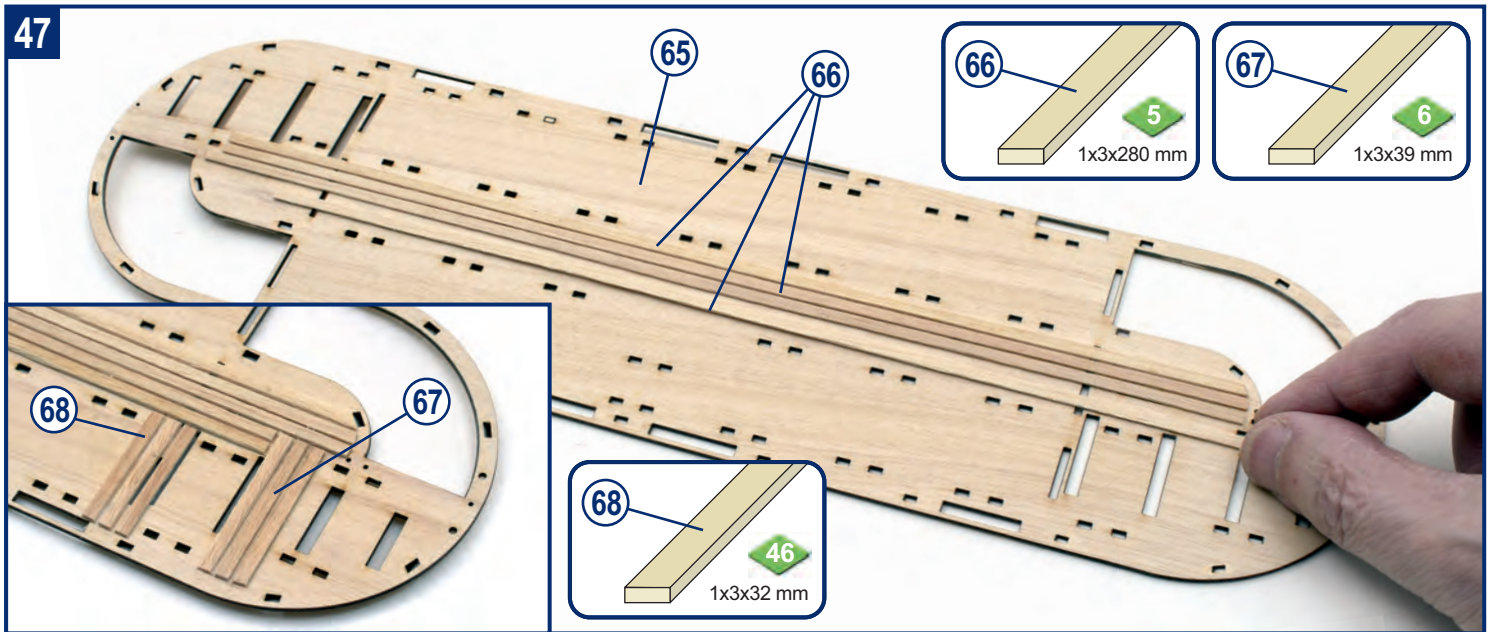




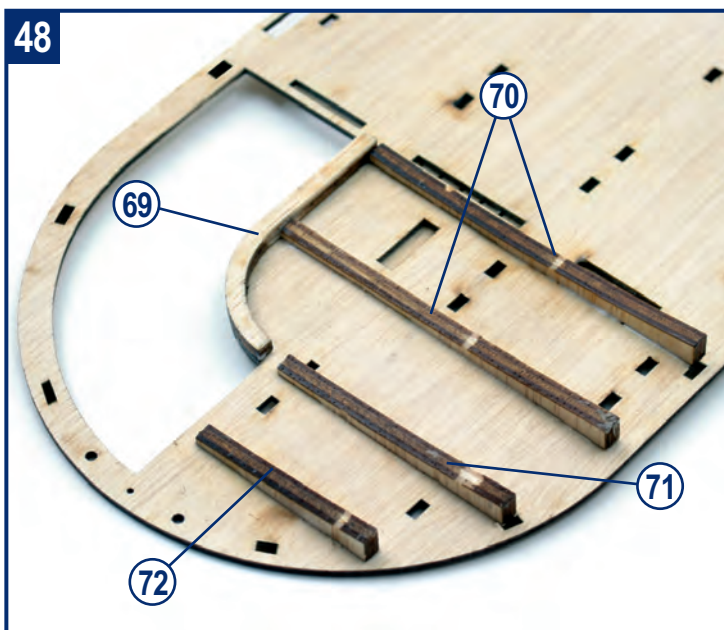
Por la parte inferior lije para redondear las esquinas.



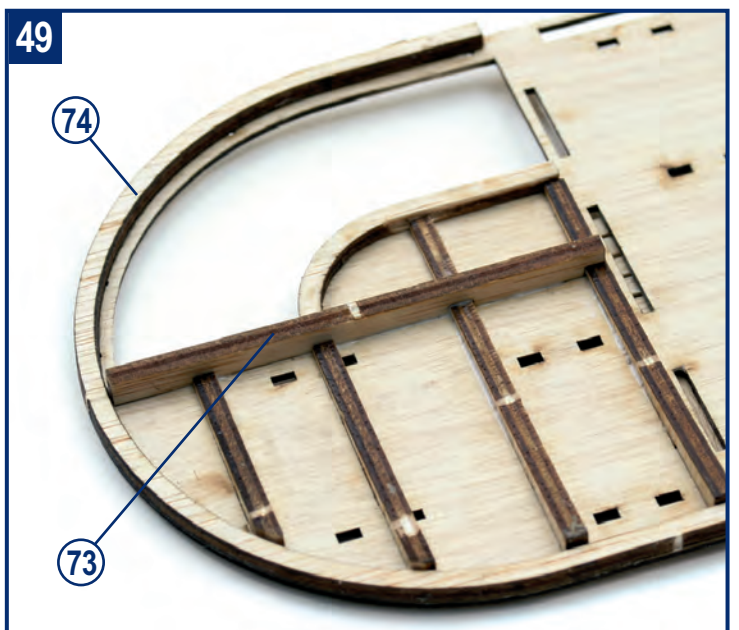
Después, pinte los parachoques de color negro.



Sobre el suelo del piso superior **65**, comience a colocar la tablazón longitudinal central **66**. Continúe con la tablazón transversal larga **67** y la corta **68**. Deje 1mm de separación entre listón y listón. Utilice cola blanca.

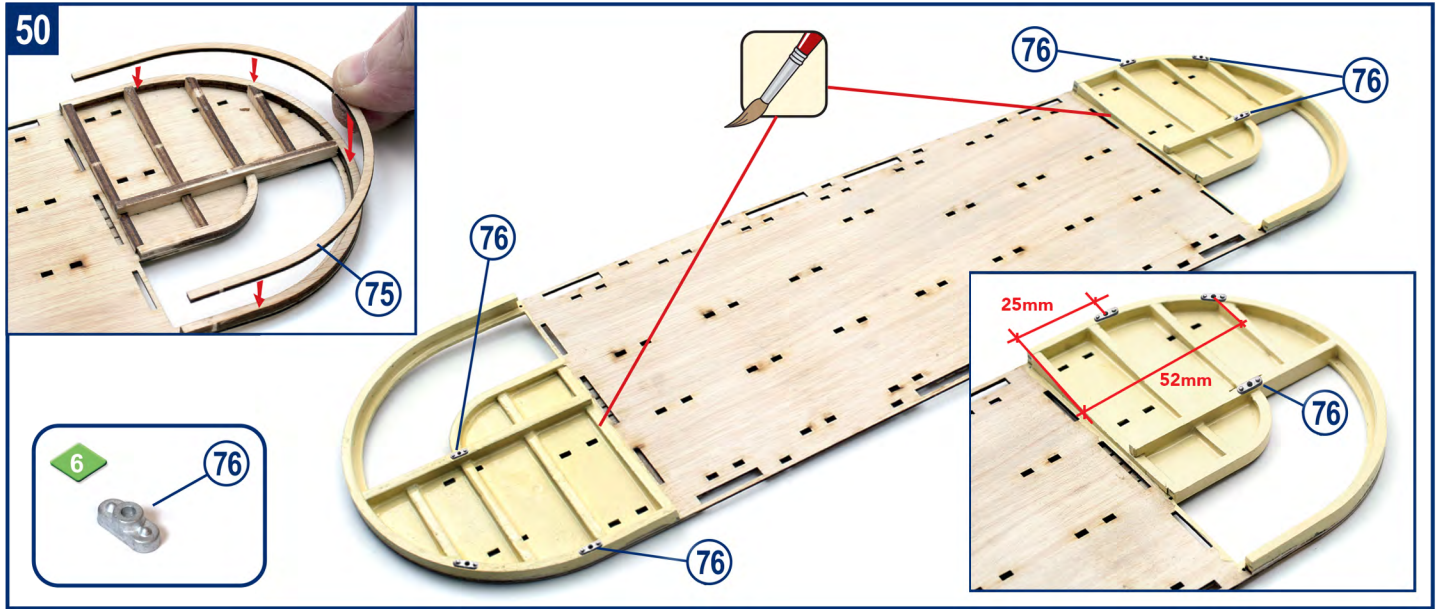


Por la parte inferior del suelo del piso alto, y en los dos extremos, encaje y encole los refuerzos **69**, **70**, **71** y **72**. Use cola blanca.

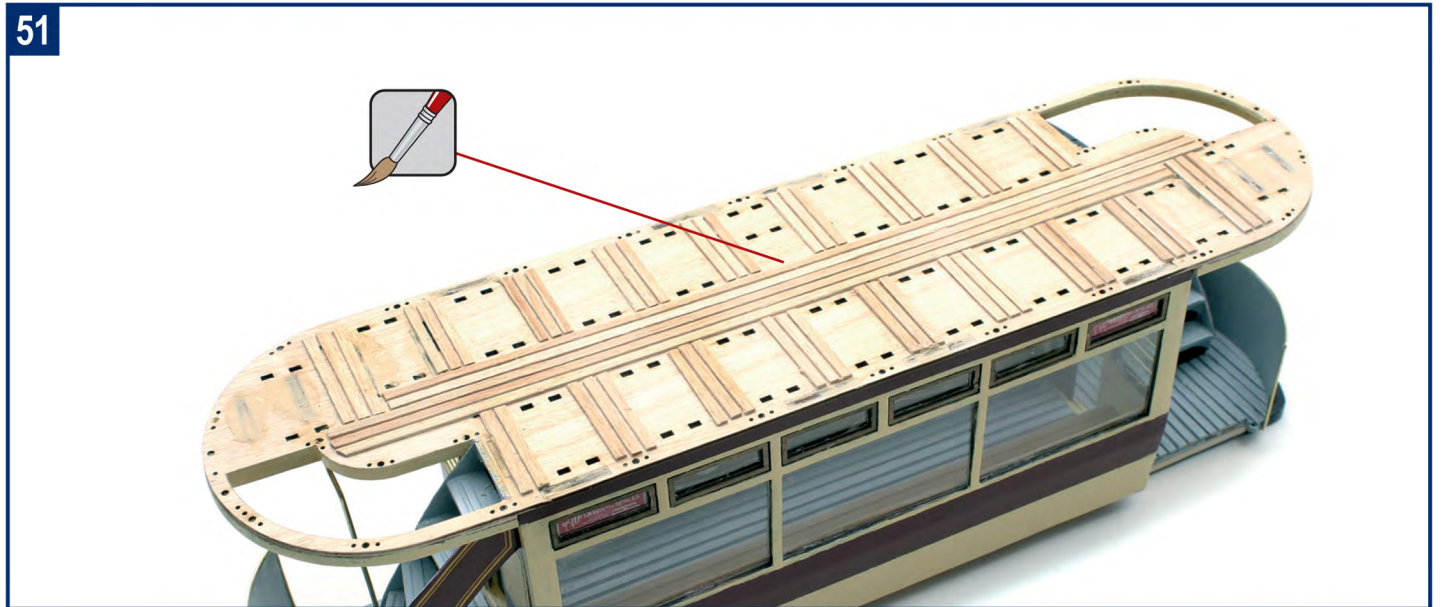


Encaje y encole el refuerzo central **73** y los refuerzos gruesos de la curva **74**. Utilice cola blanca.

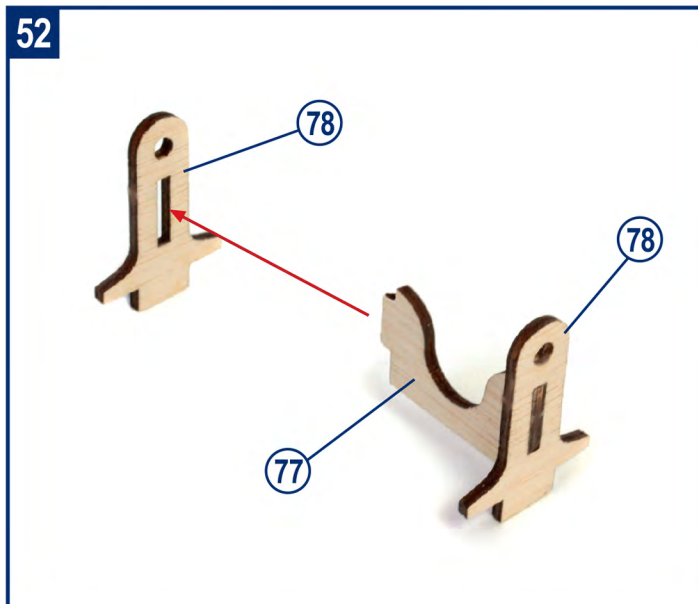




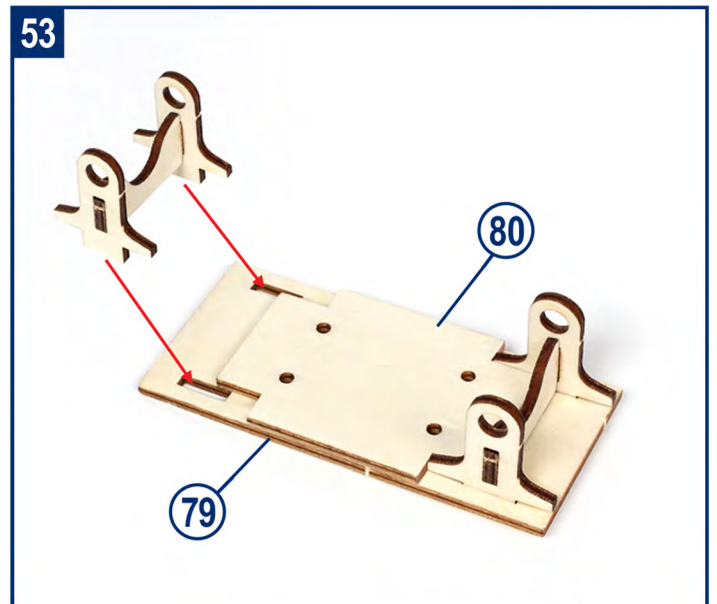
Encole sobre la curva gruesa, la curva fina **75**. Realice esta operación en ambos extremos del suelo. Pinte de color crema los extremos del piso superior. Después, pegue con cianocrilato las piezas **76** distribuidas como muestra la imagen.



Encaje y encole el piso superior en la cabina. Cuide de que encajen bien las barras de las plataformas de acceso. Después, pinte de color gris.

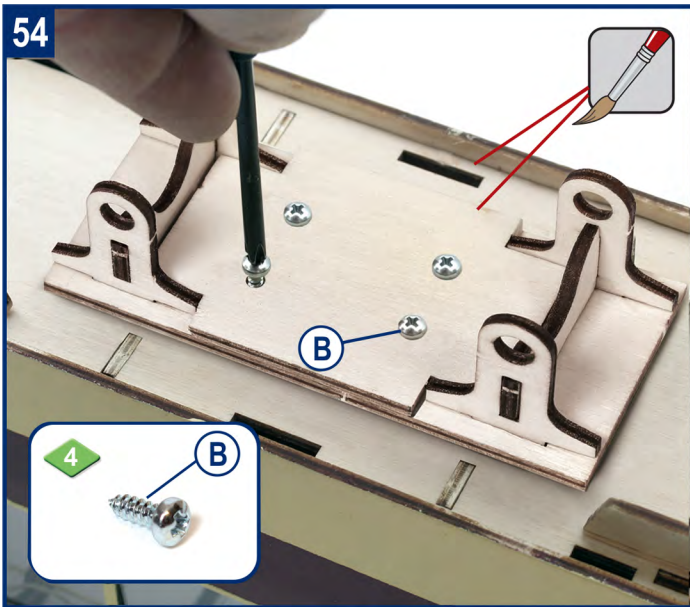


Encaje y encole los soportes de los ejes **78** mediante la pieza **77**. Utilice cola blanca.

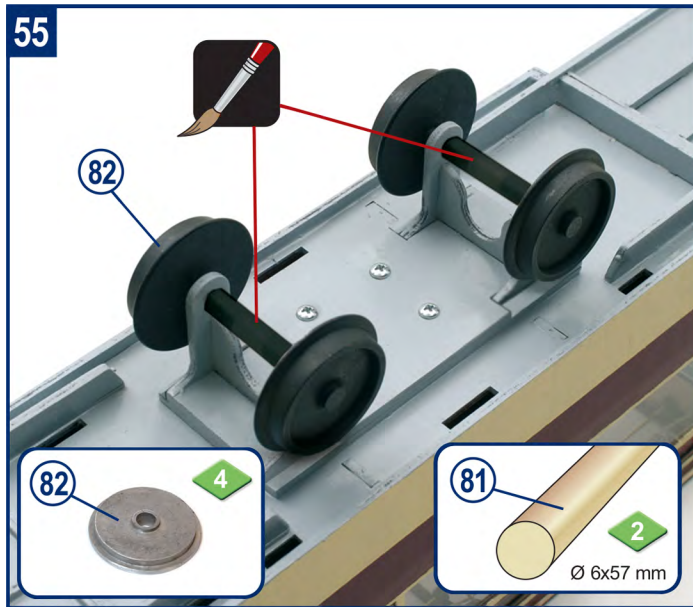


Pegue la base **80** sobre la **79**. Después, inserte y pegue los soportes de los ejes. Use cola blanca.

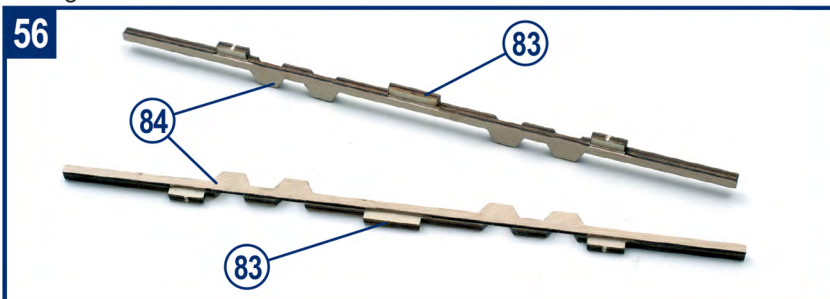




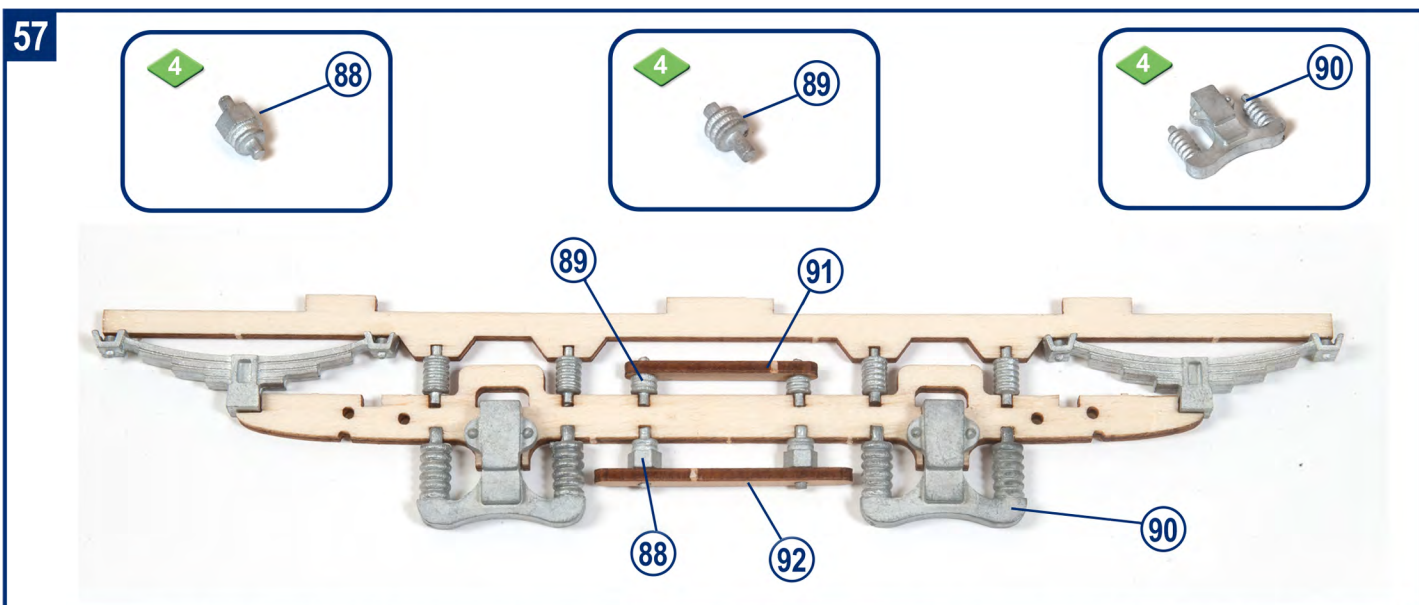
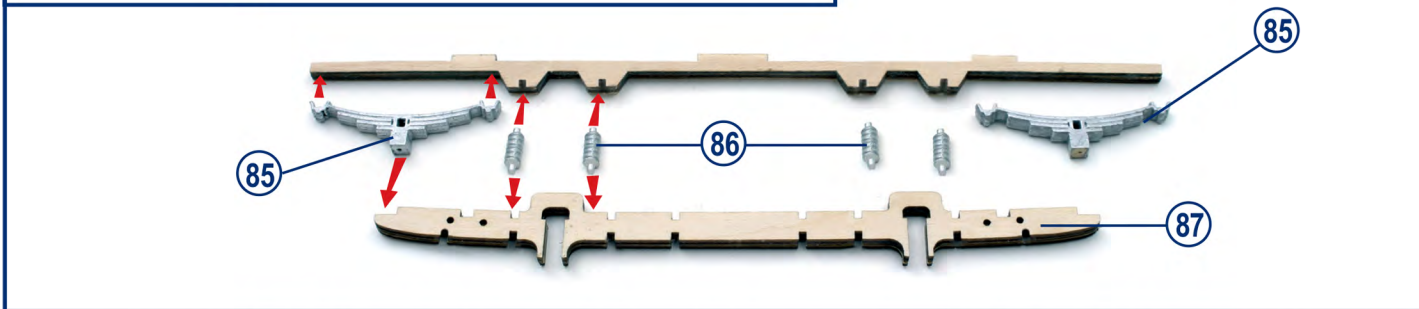
Atornille, sin encolar, la base de las ruedas a la parte inferior del tranvía mediante los tornillos **B**. Después, pinte el conjunto de color gris.



Inserte las ruedas **82** en los extremos de los ejes **81**. Las ruedas deben quedar unidas a los ejes pero deben poder girar en los soportes. Después, pintar de color gris.



Encole las piezas **83** y **84** para formar las vigas de las ballestas. Use cola blanca. Encole las ballestas **85** y los muelles **86** a las vigas de ballestas y a las vigas de bujes **87**. Pegue con cianocrilato.



Por la parte superior de la viga de bujes, encaje y encole los muelles **89** y la pieza **91**. Por la parte inferior, haga lo mismo con los muelles **88** y la barra **92**. Finalmente, encaje y encole los bujes **90**. Utilice cianocrilato.

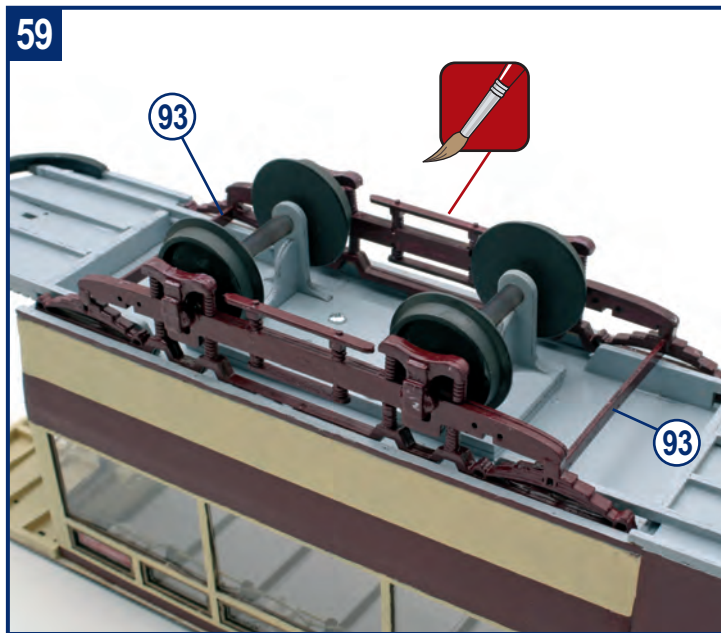


58



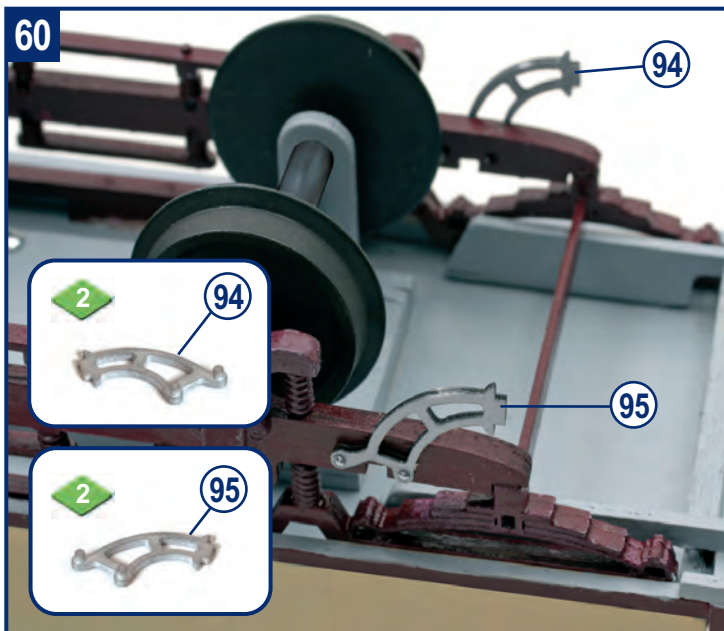
Observe como deben quedar las vigas de los bujes ya con todas las piezas colocadas.

59



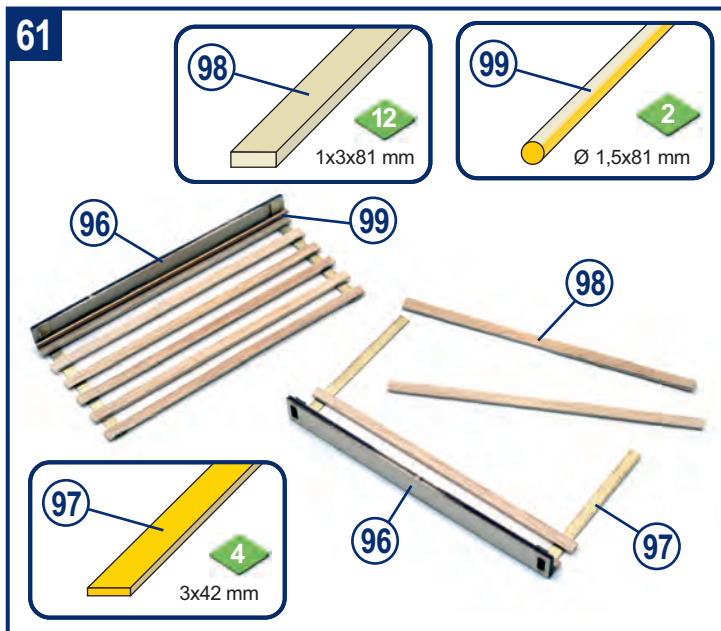
Encaje y pegue con cianocrilato las vigas transversales 93. Después, pinte el conjunto de rojo burdeos y encájelo en la parte inferior del tranvía.

60



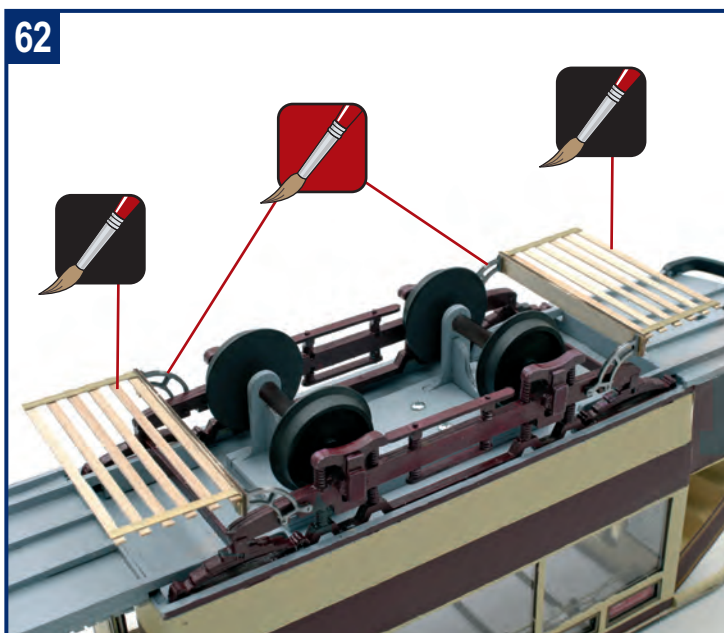
Encaje y encole los soportes de los salvavidas 94 y 95 en las vigas.

61



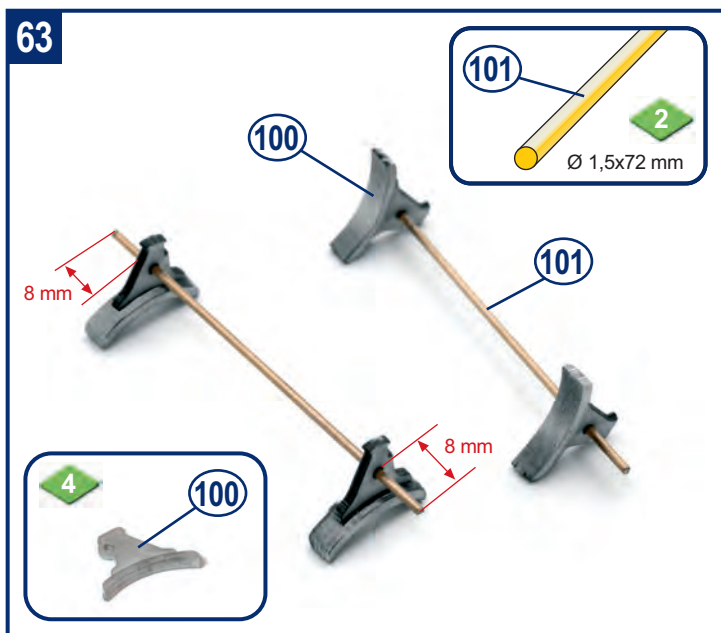
Forme los salvavidas, encolando en los frentes 96, los flejes doblados 97. Encole la barra 99 y los listones 98 separados 3 mm entre sí.

62



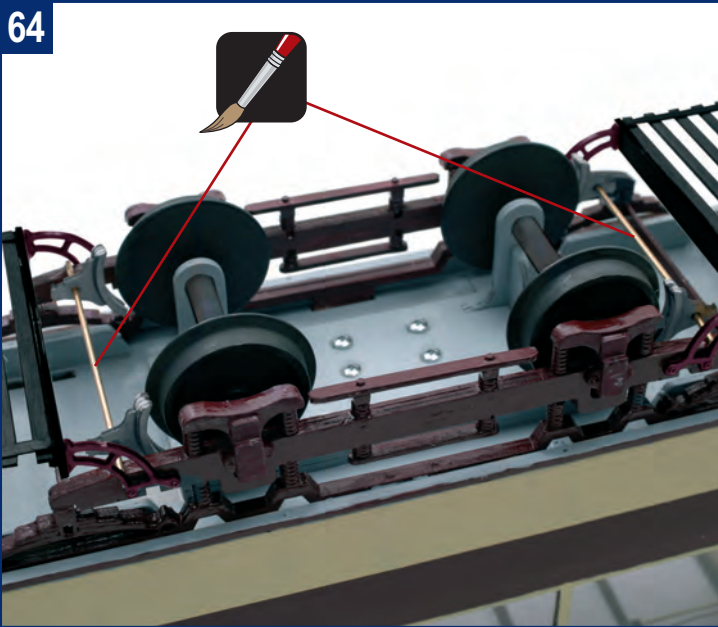
Encole los salvavidas en los soportes. Use cianocrilato. Pinte de color rojo burdeos y color negro.

63

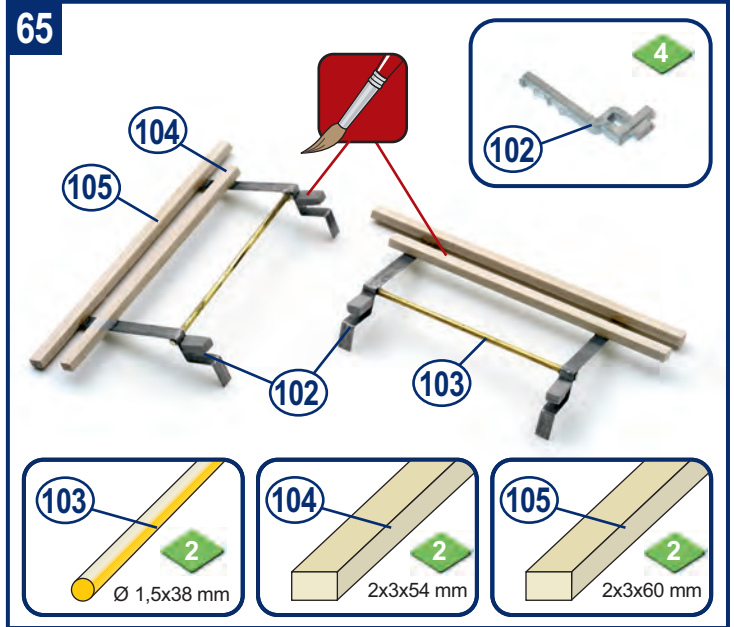


Encole los frenos 100 en las barras 101 a las distancias indicadas en la imagen. Utilice cianocrilato.

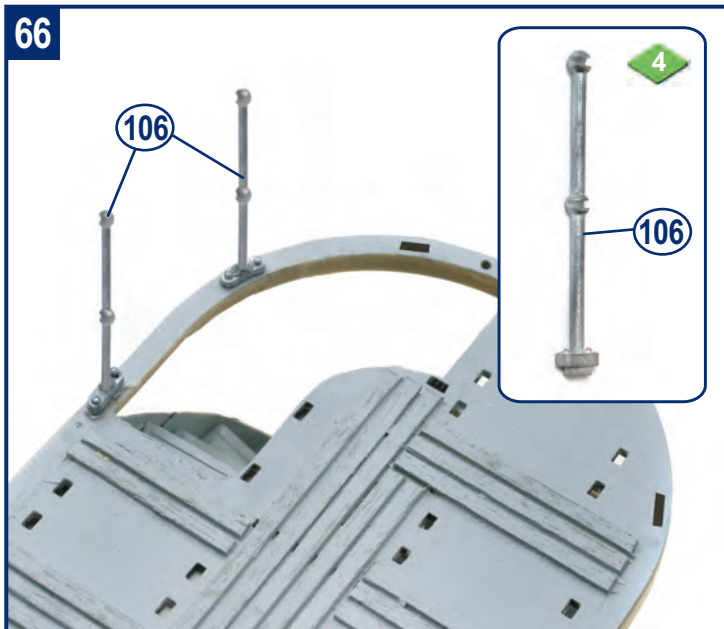




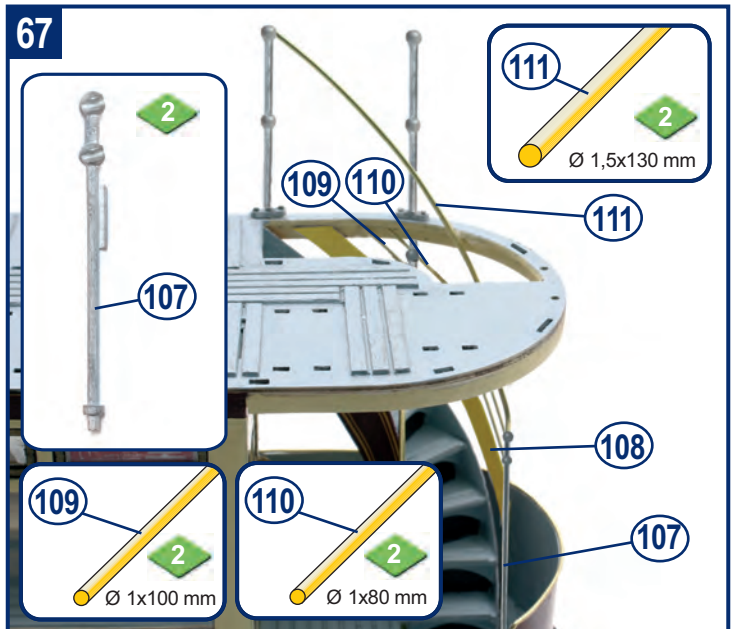
64 Encole los frenos sobre las vigas. Los frenos deben quedar paralelos a las ruedas. Después, pinte de color negro.



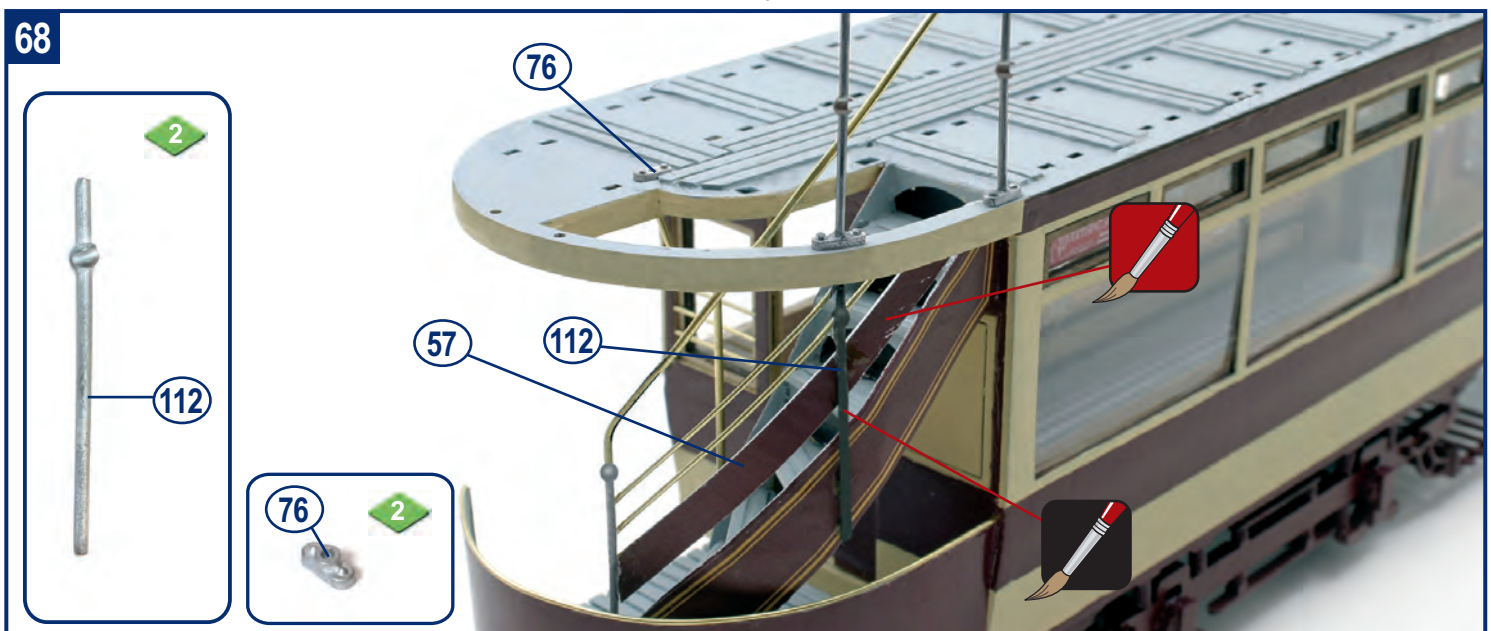
65 Forme las rejas del parachoques pegando las piezas 102, 103, 104 y 105. Use cianocrilato y pinte de color rojo burdeos.



66 Pegue los candeleros 106 ajustados al hueco de la escalera. Utilice cianocrilato.

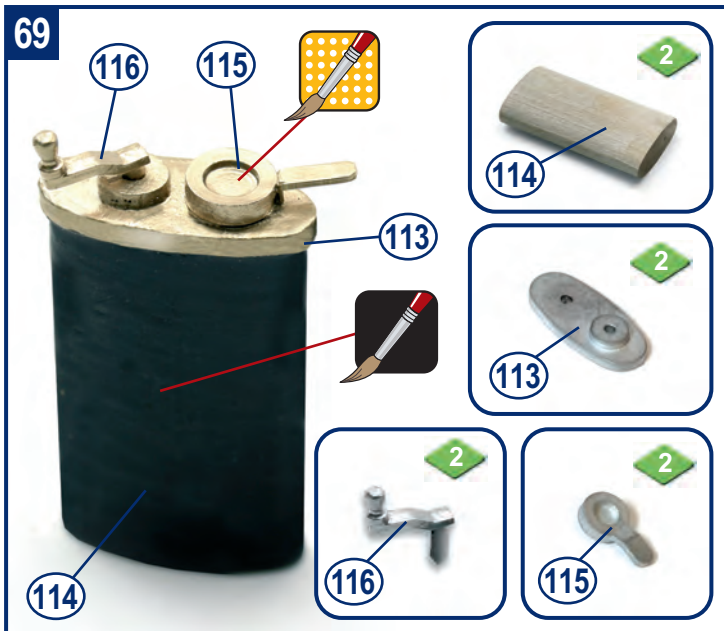


67 Inserte un candelero 107 en el orificio de la plataforma. Pegue las piezas 108, 109 y 110. Entre los candeleros, pegue el pasamanos 111.

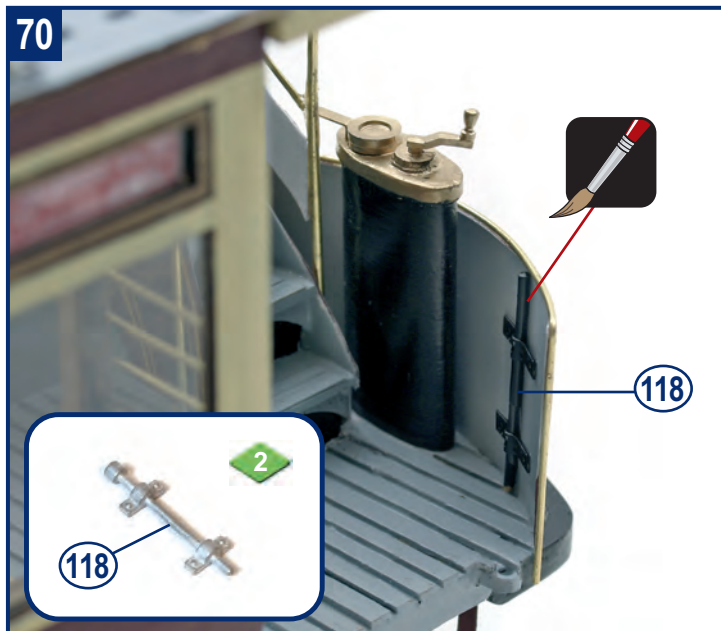


68 Pinte el lateral interior de la baranda escalera gris por el interior y pegue la decoración 57 por el exterior. Pegue el candelero 112, debe quedar alineado con el candelero del piso superior. Pegue una pieza 76 en la zona indicada en la imagen.

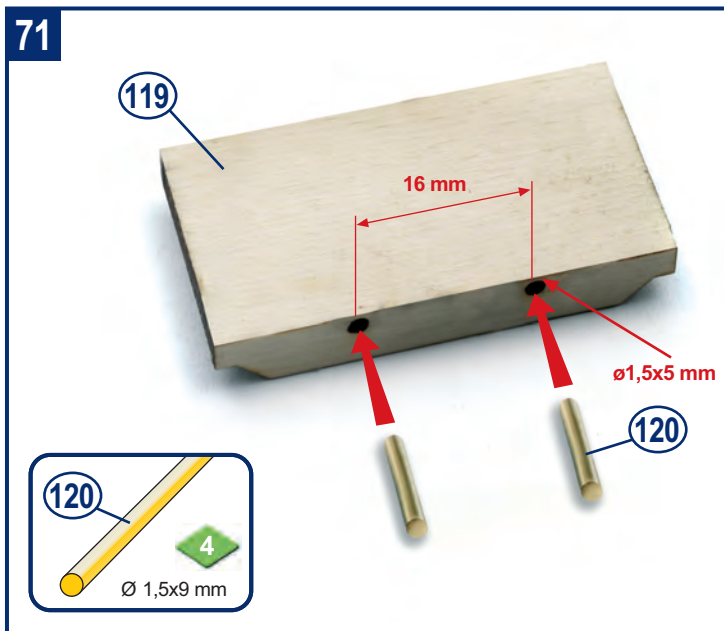




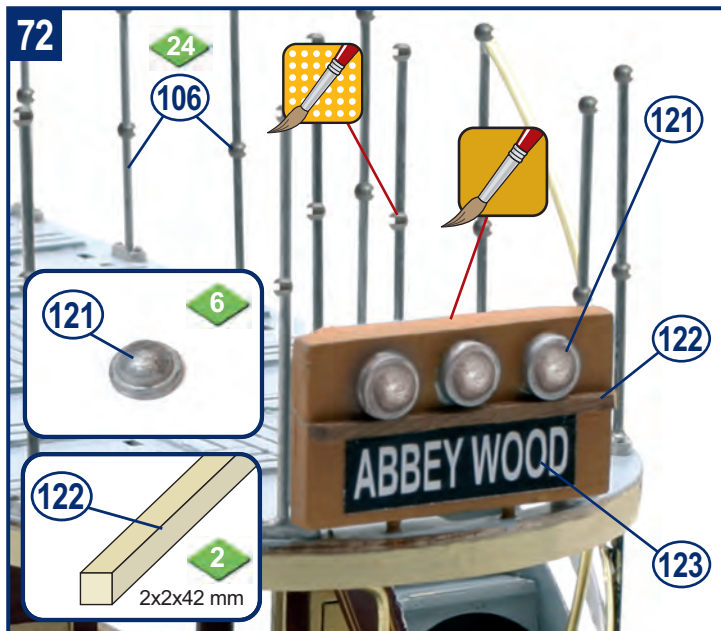
Sobre la base **114**, encole las piezas **113**, **115** y **116**. Pinte las piezas de color negro y oro.



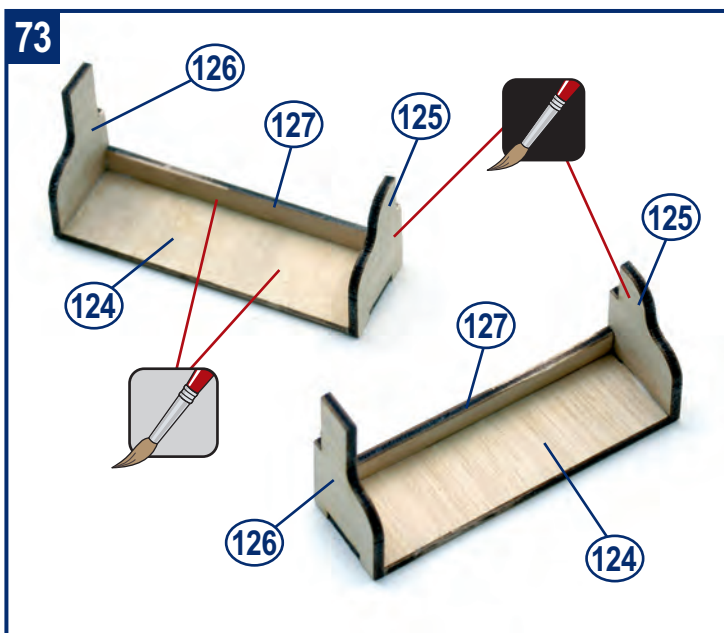
Pinte de color negro los soportes **118** y péguelos en los frentes de las plataformas de acceso. Después, péguelos los cuadros de mando.



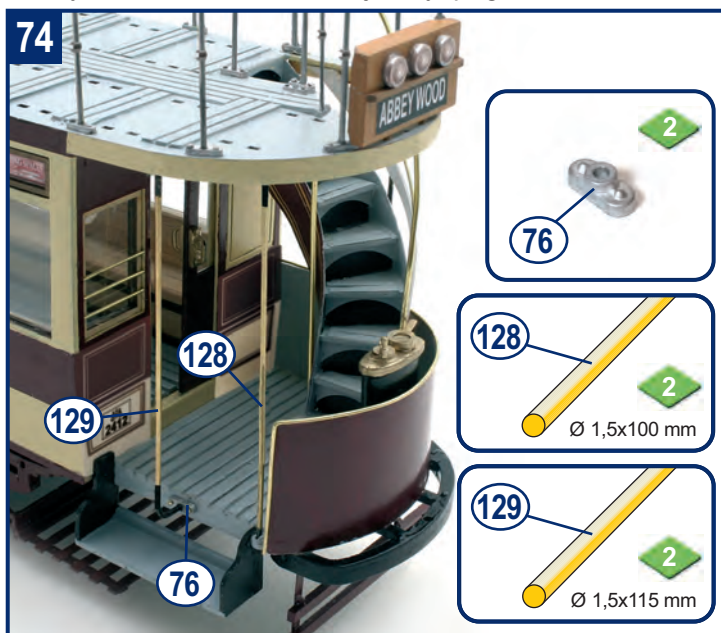
Realice dos orificios de  $\varnothing 1,5 \times 5$  mm a la pieza **119** a la distancia indicada en la imagen. Después, introduzca y fije dos piezas **120**.



Fije los 24 candeleros **106** en el techo y píntelos de color oro. Pinte de color marrón el panel y coloque las luces **121**, la moldura **122** y el letrero **123**. Encájelo y péguelo en el techo.



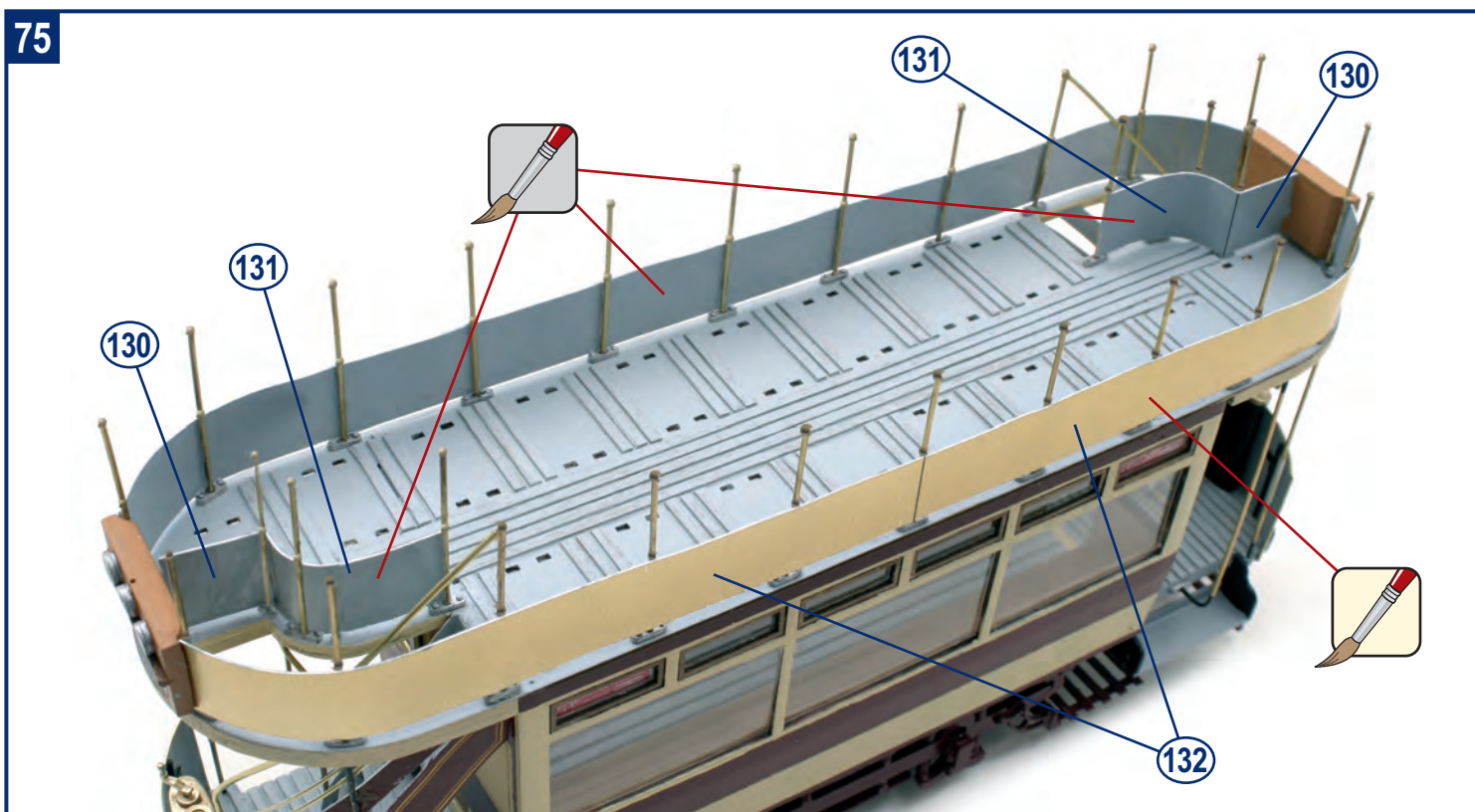
Forme los escalones encolando las piezas **124**, **125**, **126** y **127**. Utilice cola blanca. Pinte los laterales de negro y el resto de gris.



Encole los escalones en las plataformas. Encaje y pegue las barras **128** y **129** mediante una pieza **76**.

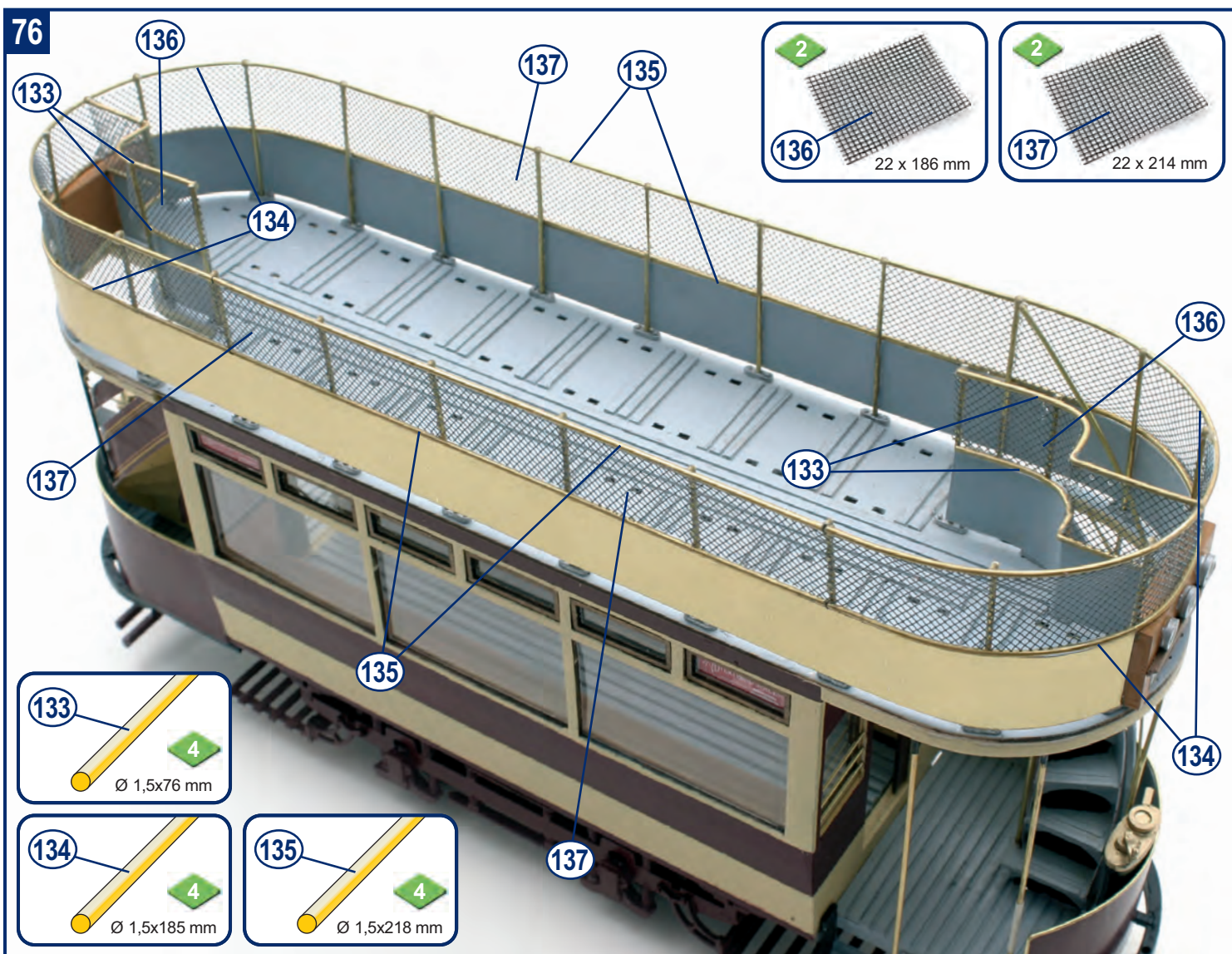


75



Pinte de gris y encole los laterales interiores **130** y **131** apoyados en los candeleros correspondientes. Encole igualmente los laterales exteriores **132**. Humedezca las piezas **131** y **132** para facilitar su curvatura. Pinte estos de crema por el exterior.

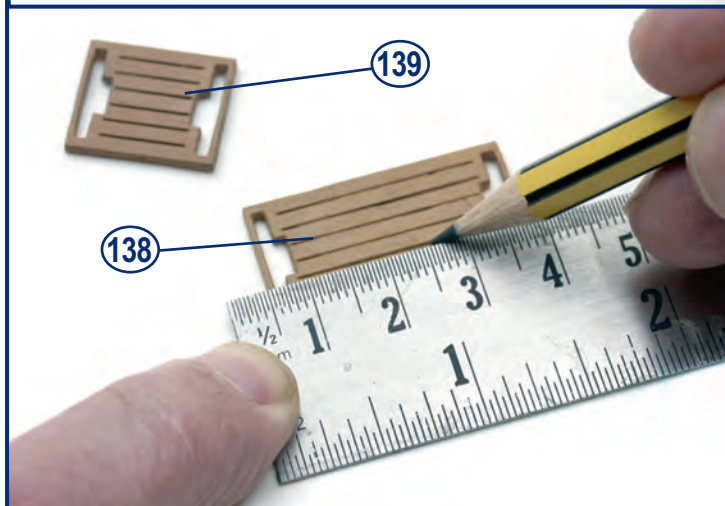
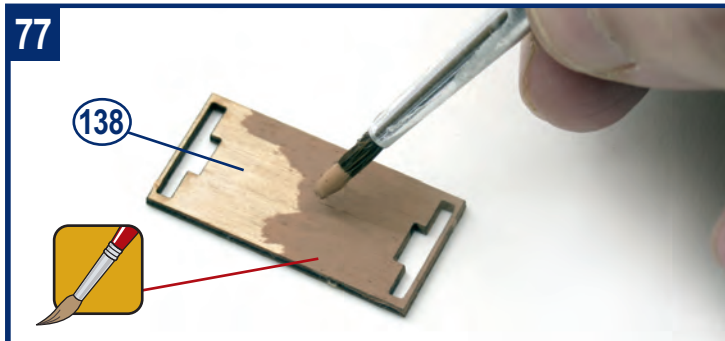
76



Adapte el hilo de latón **133** a los huecos de la escalera y a las curvas **134** y encóelos a los candeleros por encima de los laterales y por los extremos. Encole también las partes rectas **135**. Encole la red **136** y **137** entre las barras.

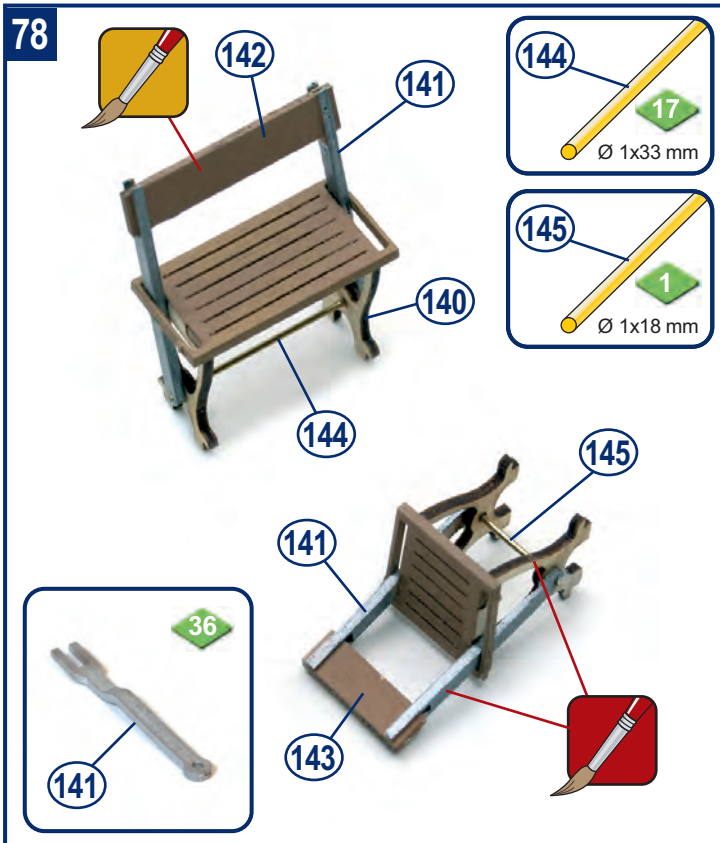


77



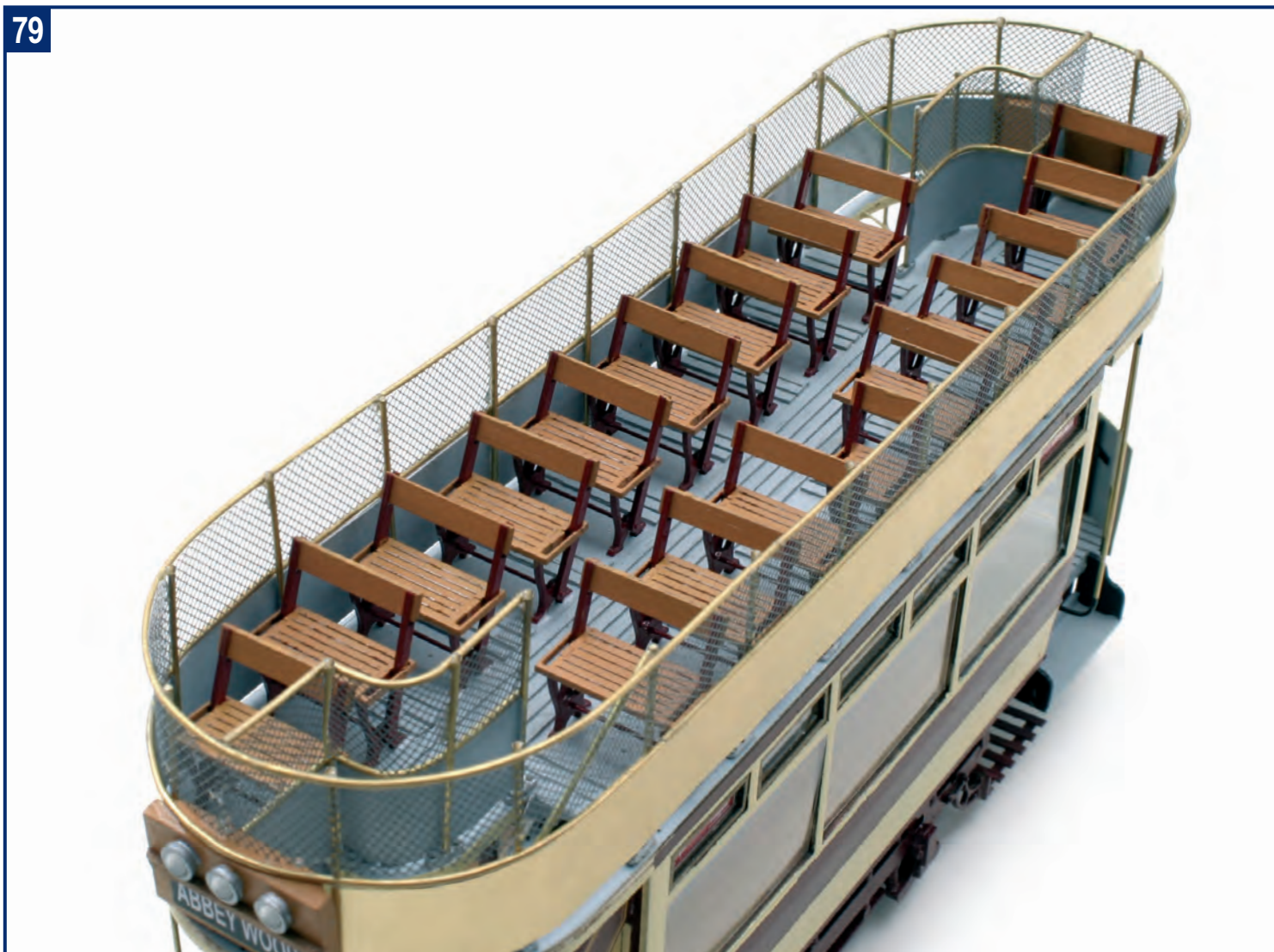
Pinte de color marrón las bases de los bancos 138 y 139. Con un lápiz, simule la tablazón manteniendo una distancia de 2 mm entre tablas.

78



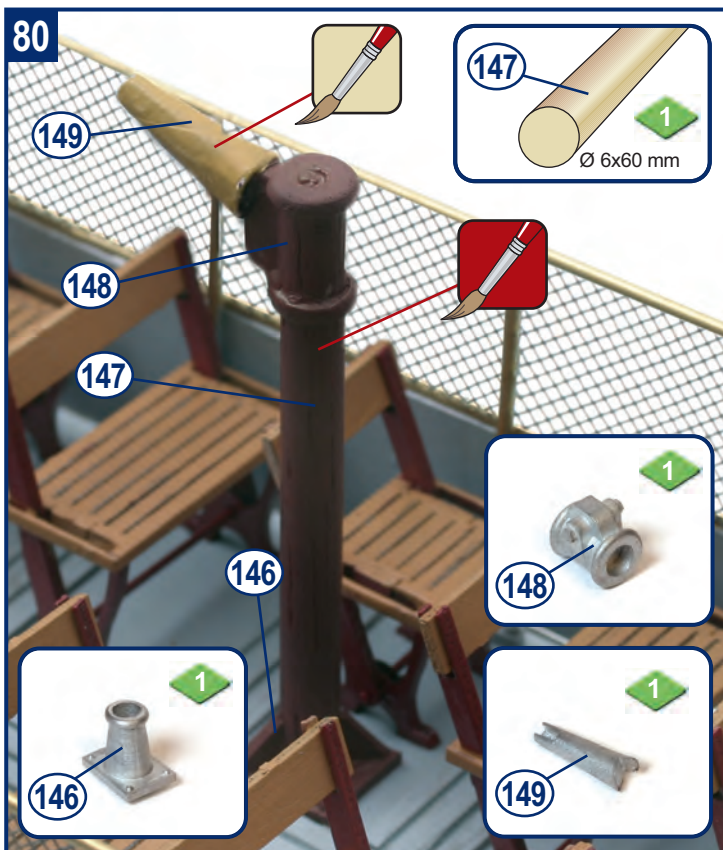
Encole las patas 140 en las bases. Inserte los soportes 141 en las bases. Después, inserte los respaldos 142 y 143. Fije los hilos 144 y 145 para unir las patas. Pinte de color rojo burdeos y de marrón las piezas indicadas en la imagen.

79

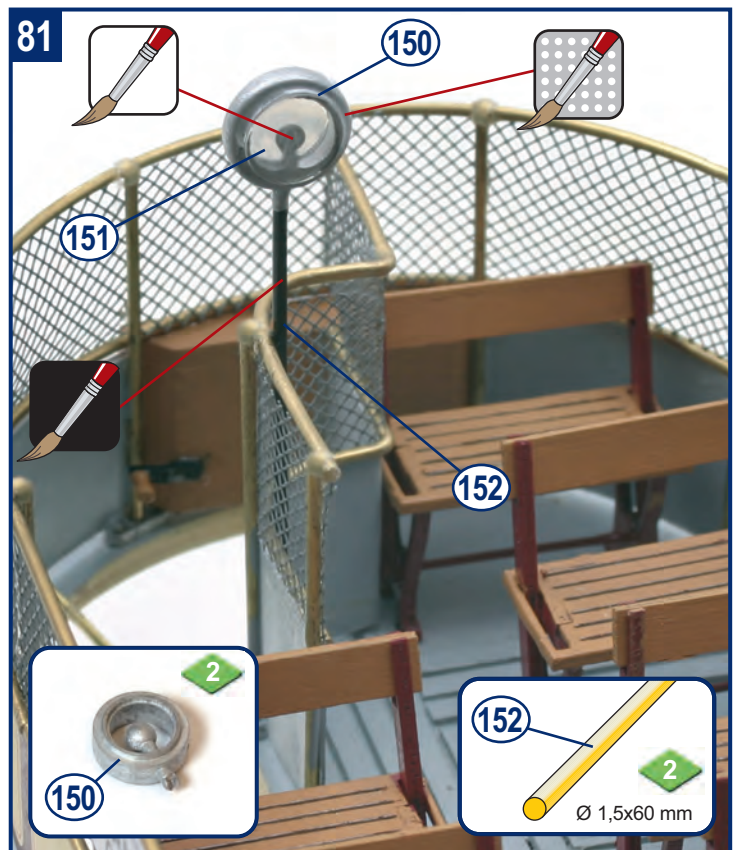


Encole los bancos ya montados en los encajes situados en el suelo del piso superior.

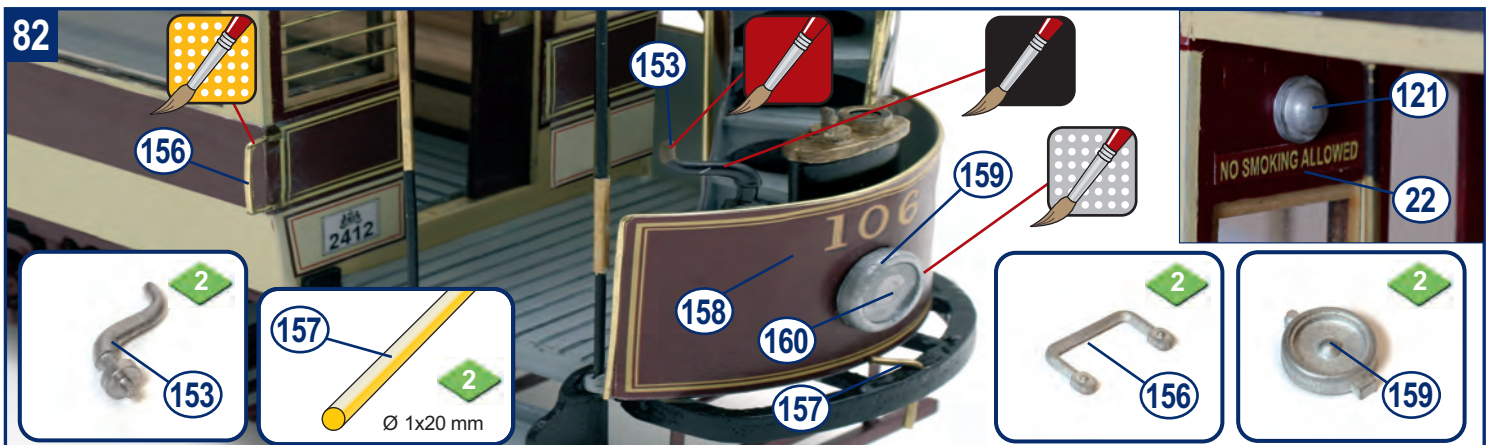




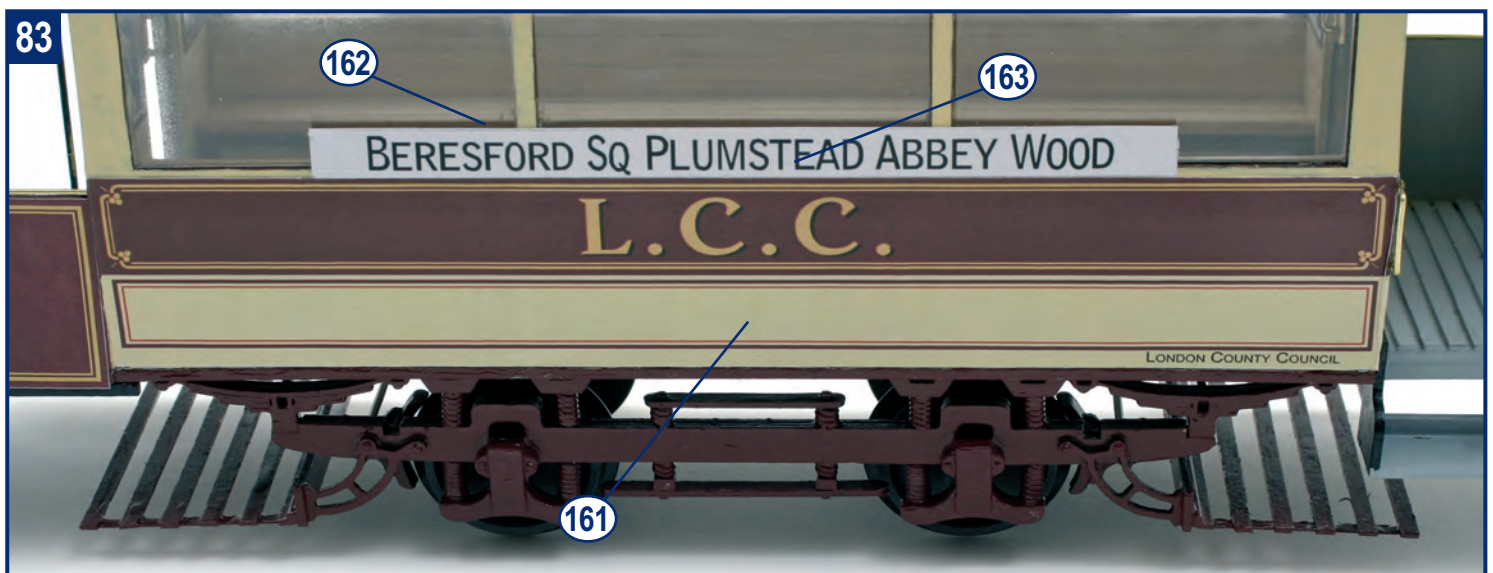
En el espacio que queda al lado del asiento sencillo, encaje y encole la base del trole **146**, la columna **147** y los remates **148** y **149**. Pinte la columna de color rojo y ocre.



Pinte el faro **150** de color metal y la bombilla de blanco. Encole los cristales **151** por los dos lados. Pegue el faro en la barra **152**, y ésta en la pieza **76** del suelo. Pinte la barra de color negro.



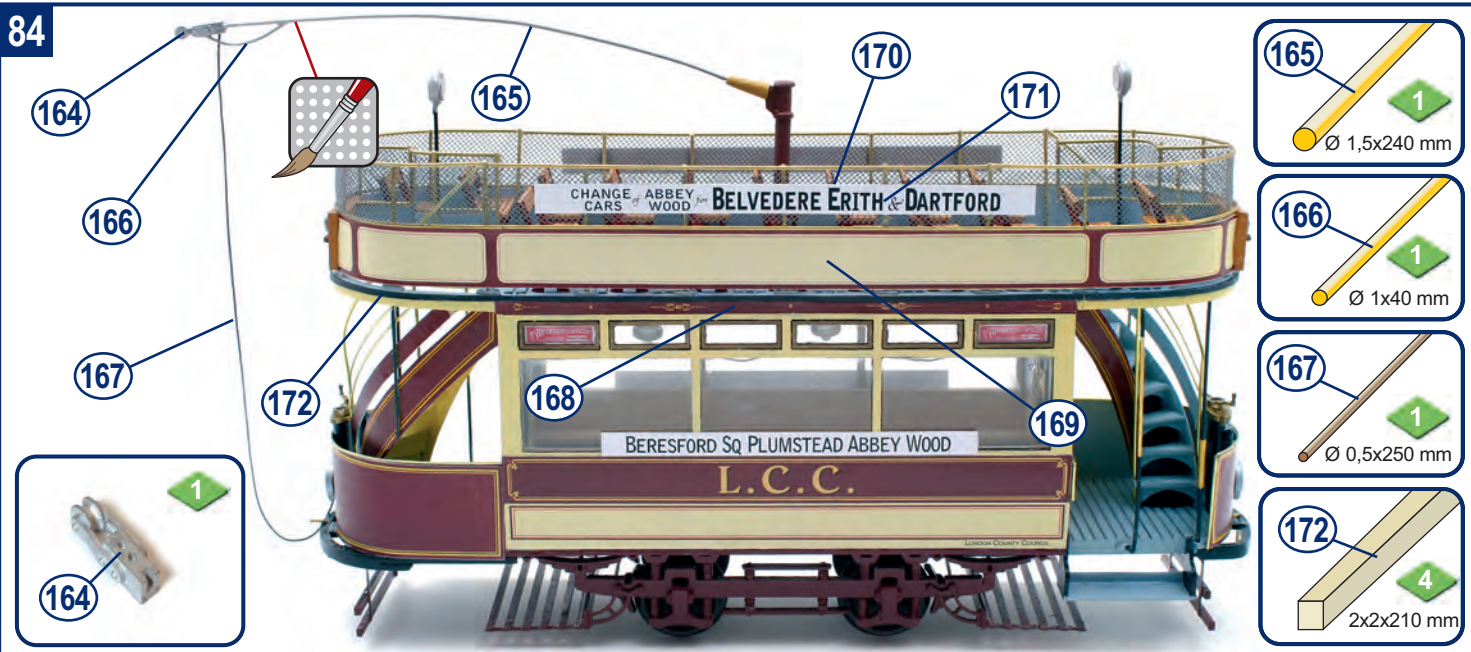
Pinte la maneta **153** y péguela en la base. Forme y fije el perno **157**. Encole las decoraciones **158**. Encima de la ventana, encole el letrero **22** y la luz **121**. Encole y pinte el asidero **156**. Pegue el faro **159**, con su cristal **160**.



Encole la decoración de los laterales **161**. Encole sobre la base **162** el cartel **163** y pegue el cartel en su lugar.

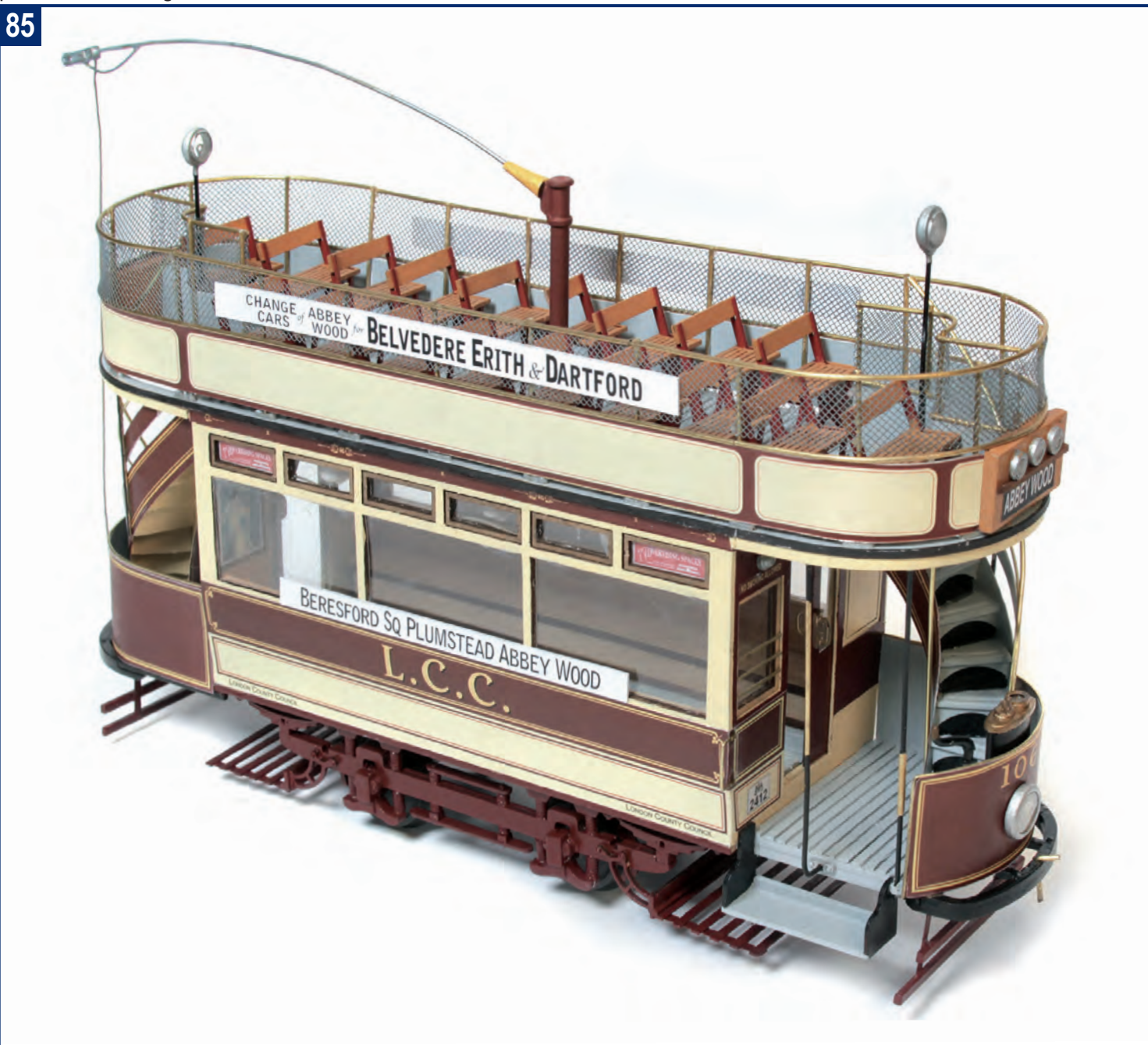


84

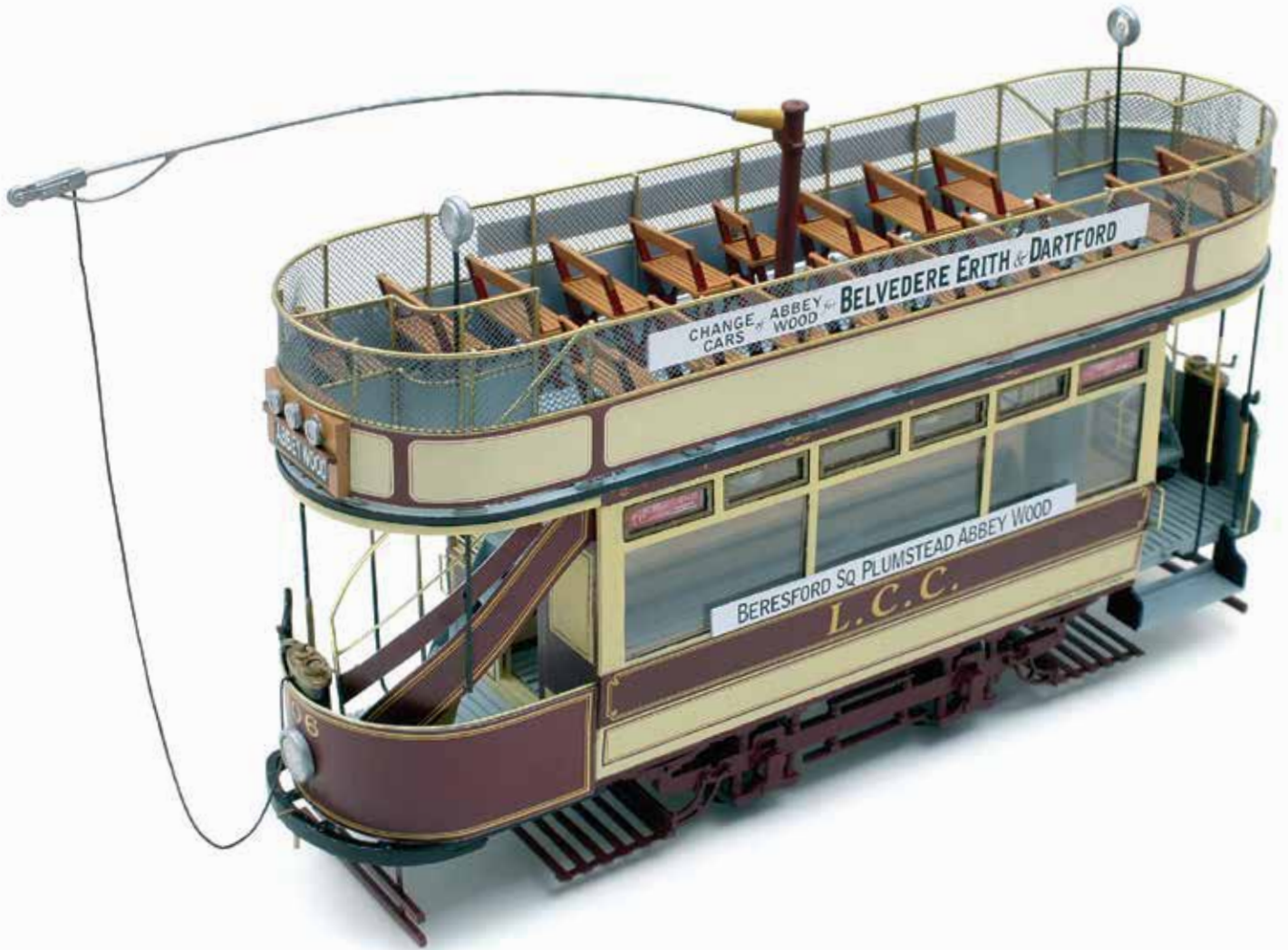


Encole la rueda del trole **164**, encole el trole **165**, el refuerzo **166** y el cable **167**. Pinte de color metal y pegue el conjunto en la base. Encole las decoraciones **168**, los laterales superiores **169** y los carteles **170** previamente encolados en las bases **171**. Finalmente pegue el reborde **172** alrededor del suelo del piso superior. Humedezca muy bien el listón para que se adapte a la curva. Después, píntelo de color negro.

85







## CANTIDAD / QUANTITY / QUANTITÉ / MENGE / QUANTITÁ / QUANTIDADE

2

El número inscrito en el rombo indica el número de piezas.  
 El número inscrito en el rombo indica el número de piezas.  
 El número inscrito en el rombo indica el número de piezas.

El número inscrito en el rombo indica el número de piezas.  
 El número inscrito en el rombo indica el número de piezas.  
 El número inscrito en el rombo indica el número de piezas.



