

F-16A

MLU Ukrainian Air Force Viper



F-16A MLU Ukrainian Air Force Viper

In August 2023, the U.S. government approved a military assistance program to supply the Ukrainian Air Force with F-16 Viper aircraft. The war between Ukraine and Russia, which began with the Russia's Invasion in February 2022, has become a prolonged and intense conflict.

Ukraine Forces have demonstrated resilience in defending their homeland, aided by NATO military assistance. However, Ukrainian military leaders and politicians have long requested modern jet aircraft, particularly the F-16.

About a year after the U.S. agreement, the first F-16A MLU arrived in Ukraine. These include two ex-Danish aircraft, to be followed by ex-Dutch jets. At least two F-16 ADFs are being used as ground crew trainers and are not flyable. This model kit features markings for the Ukrainian Jets that arrived in early August 2024.

CAUTION

*Read carefully and fully understand the instructions before commencing assembly.

*Keep out of reach of children. Children must not be allowed to put any parts in their mouths, or pull plastic bag over their heads.

*When using adhesives and paints, please make sure not to use them in closed room or near the fire.

*When assembling this kit, tools including knives are used. Extra care should be taken to avoid injury.

WARNING: CONTAIN SMALL PARTS NOT FOR CHILDREN UNDER 14 YEARS OF AGE.



Drill



Remove



2 Set



Bend



Optional



Decal



Super Glue



Fill Hole



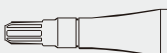
No Cement



Be Careful

TOOLS RECOMMENDED

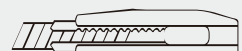
Cement



Side Cutter



Modeling Knife



Tweezers

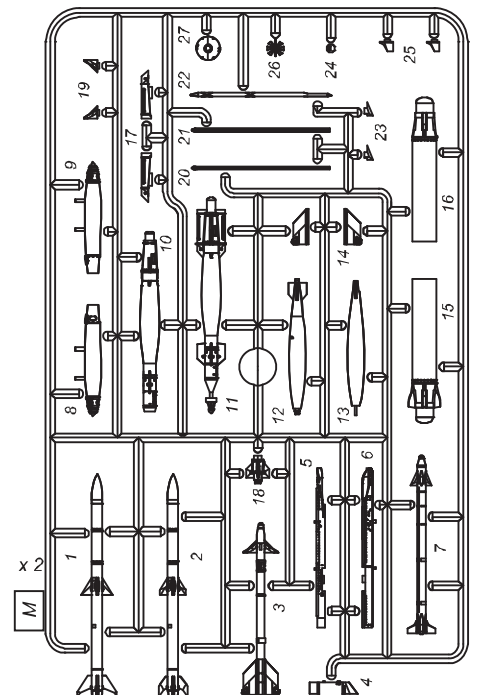
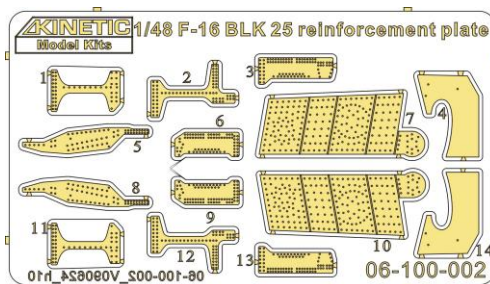
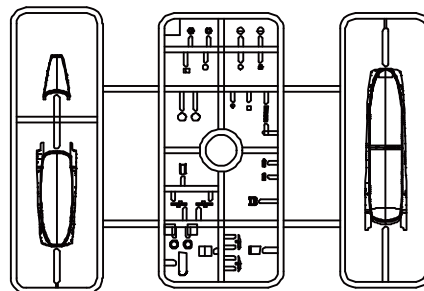
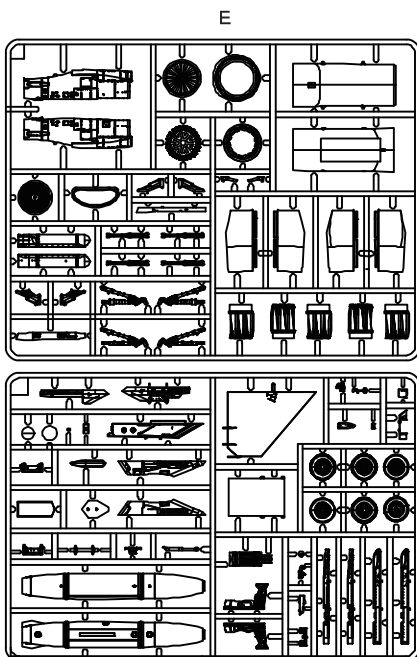
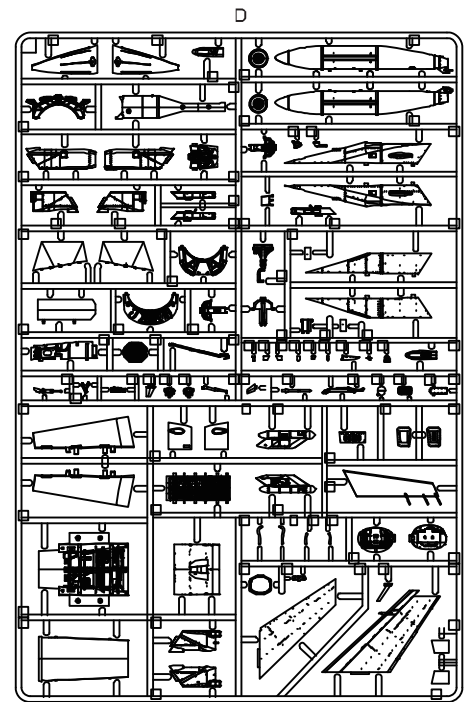
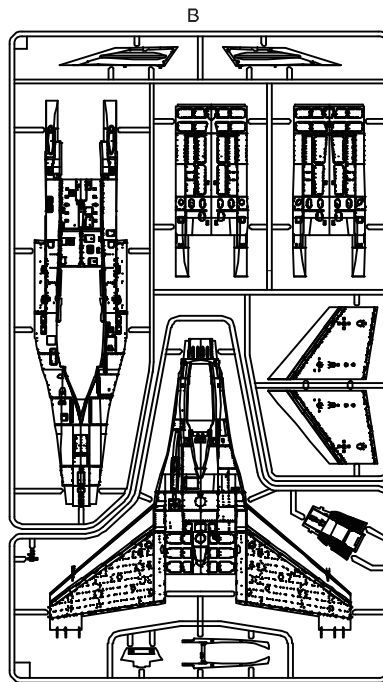
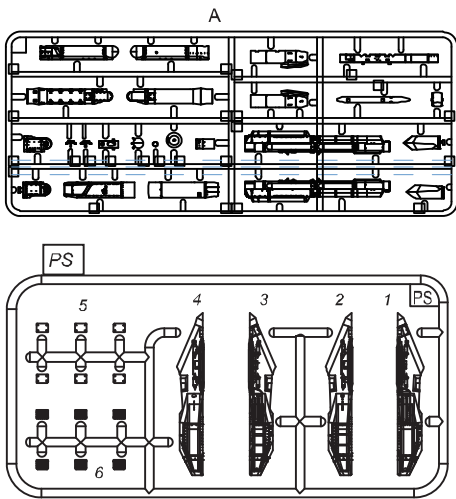


1/48 F-16A MLU Dream Viper NO.K48157

AFTERMARKET SERVICES CARD

When requesting replacement parts, please take or send this form to your local dealer so that the parts required can be correctly identified. Please note that specifications and availability are subject to change without notice. Or visit <http://www.kineticmodel.com> for latest information. For more information, please contact services@kineticmodel.com

Part Code	K48157	Qty	Item	Part Code	Qty	Item	
00-100-021	WEAPON SET (AIM-9x,9M,120B/C,GBU-12) PARTS M	2	M	00-180-006	1/48 F-16 FUEL TANKS, SEATS	2	F
00-100-023	F-16A/B PIDS PYLON (PARTS PS)	2	PS	00-180-007	1/48 F-16 CANOPY	1	G
00-180-001	1/48 MODERN US TARGETING POD	1	A	01-100-001	F-16 STENCIL DECAL	1	DECAL
00-180-002	1/48 F-16 LOWER FUESLAGE	1	B	01-180-48157	1/48 F-16A Ukarine	1	DECAL
00-180-003	1/48 F-16A/C UPPER FUESLAGE	1	C	03-180-48157	1/48 F-16A Ukarine	1	MANUAL
00-180-004	1/48 F-16 MAIN PARTS	1	D	06-100-002	1/48 F-16 BLK 25 reinforcement plate	1	PE
00-180-005	1/48 NSI INTAKE and LANDING GEAR	1	E				



Fx2

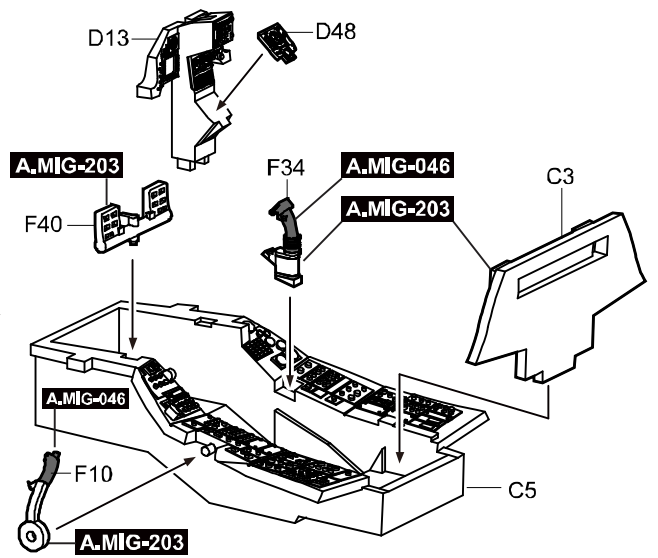
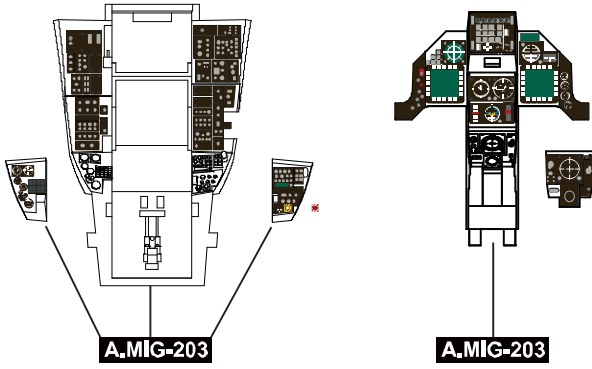
MA



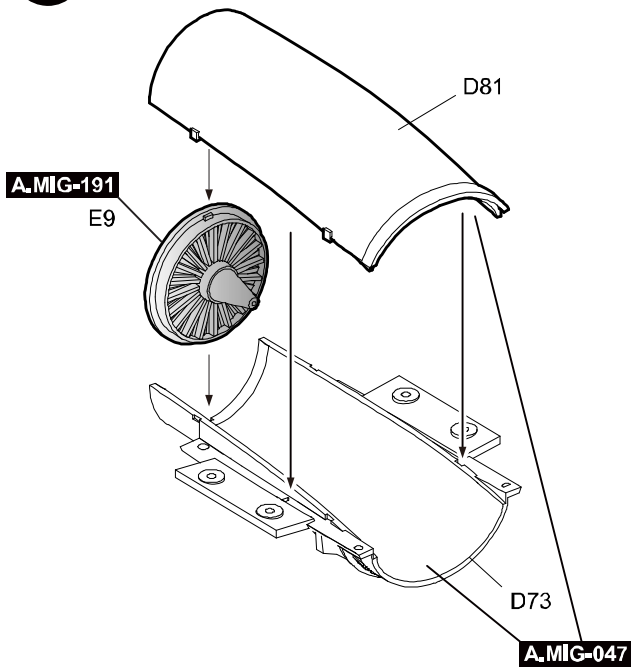
COLOR	AMMO MIG	VALLEJO MODEL COLOR	GSI CREOS MR. COLOR	TAMIYA ENAMEL/ACRYLIC	HUMBROL ENAMEL
DARK BLUE	-	-	326	-	-
SATIN BLACK	A.MIG-032	70.937	2	X-18	21
GUN METAL	A.MIG-045	70.863	78	X-70	53
MATT BLACK	A.MIG-046	71.057	33	XF-1	33
SATIN WHITE	A.MIG-047	70.842	1	X-2	22
YELLOW	A.MIG-048	71.002	4	XF-3	69
BLUE	A.MIG-086	71.089	323/5	X-4	14
CRYSTAL RED	A.MIG-093	70.934	47	X-27	220
CRYSTAL BLUE	A.MIG-098	70.938	50	X-23	-
BLOOD RED	A.MIG-121	-	327	-	-
BURNT IRON	A.MIG-187	71.073	61	XF-4	-
STEEL	A.MIG-191	70.864	28	-	27003
SILVER	A.MIG-195	71.063	8	X-11	11
GOLD	A.MIG-198	71.066	9	X-12	16
GHOST FRAY FS 36375	A.MIG-203	70.990	308	-	-
GUNSHIP GRAY FS 36118	A.MIG-204	71.047	305	XF-77	125
FS 36320	A.MIG-208	71.120	307	-	128
FS 36495	A.MIG-209	71.276	338	-	-
FS 36270	A.MIG-211	71.275	306	-	126
DARK OILVE DRAB	A.MIG-237	70.861	12	XF-62	-

For Color Profile, please go to www.kineticmodel.com for download (type the kit# and go for manual/painting guide)

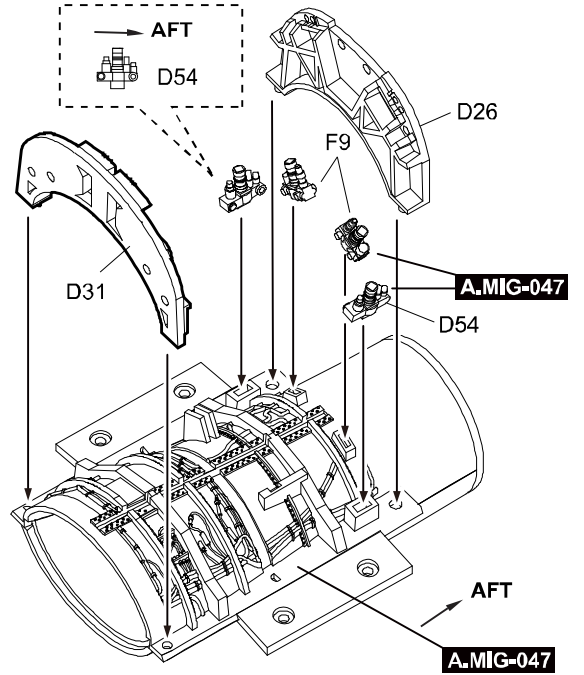
1



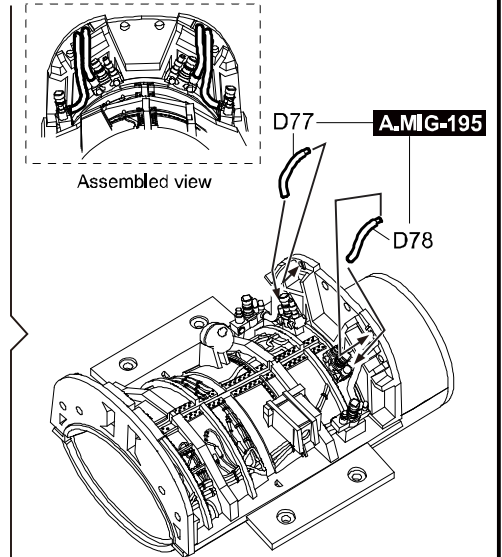
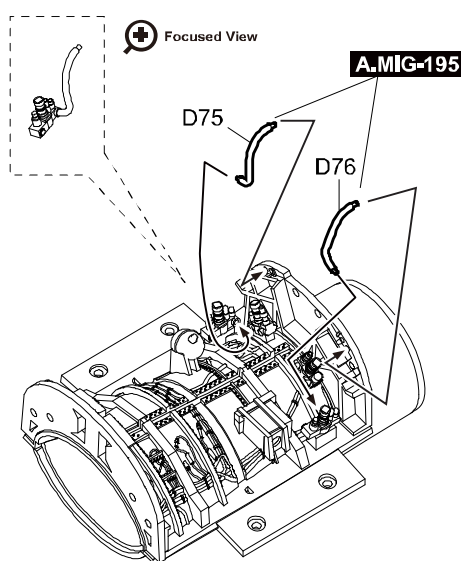
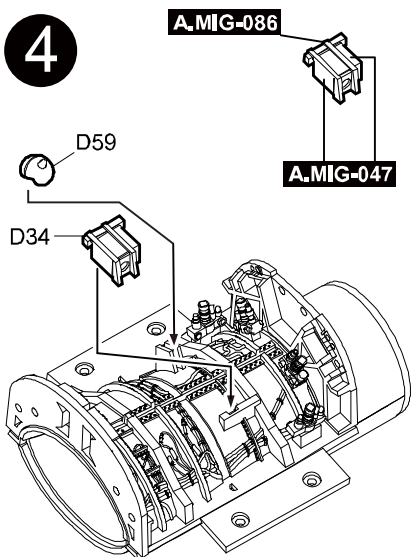
2



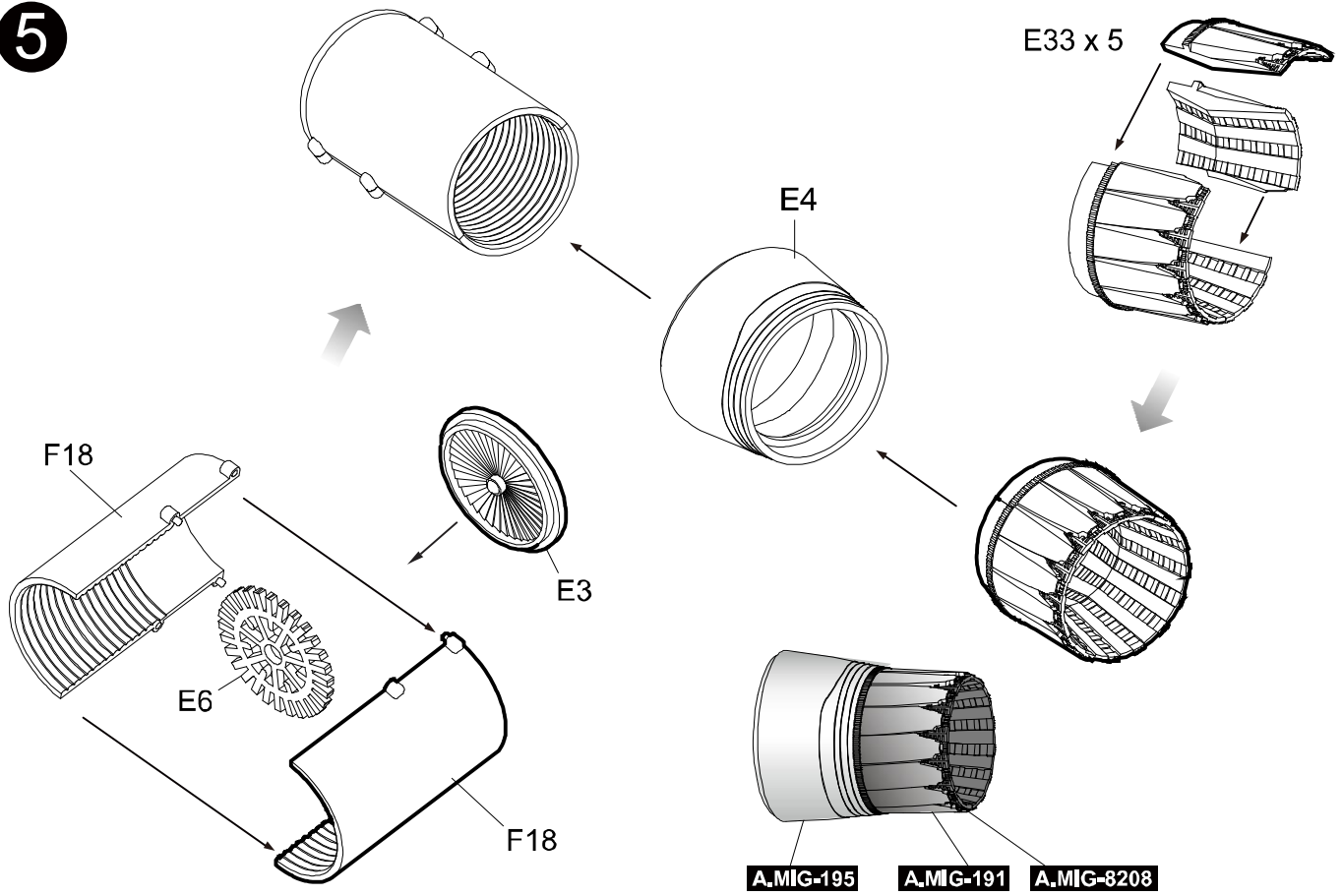
3



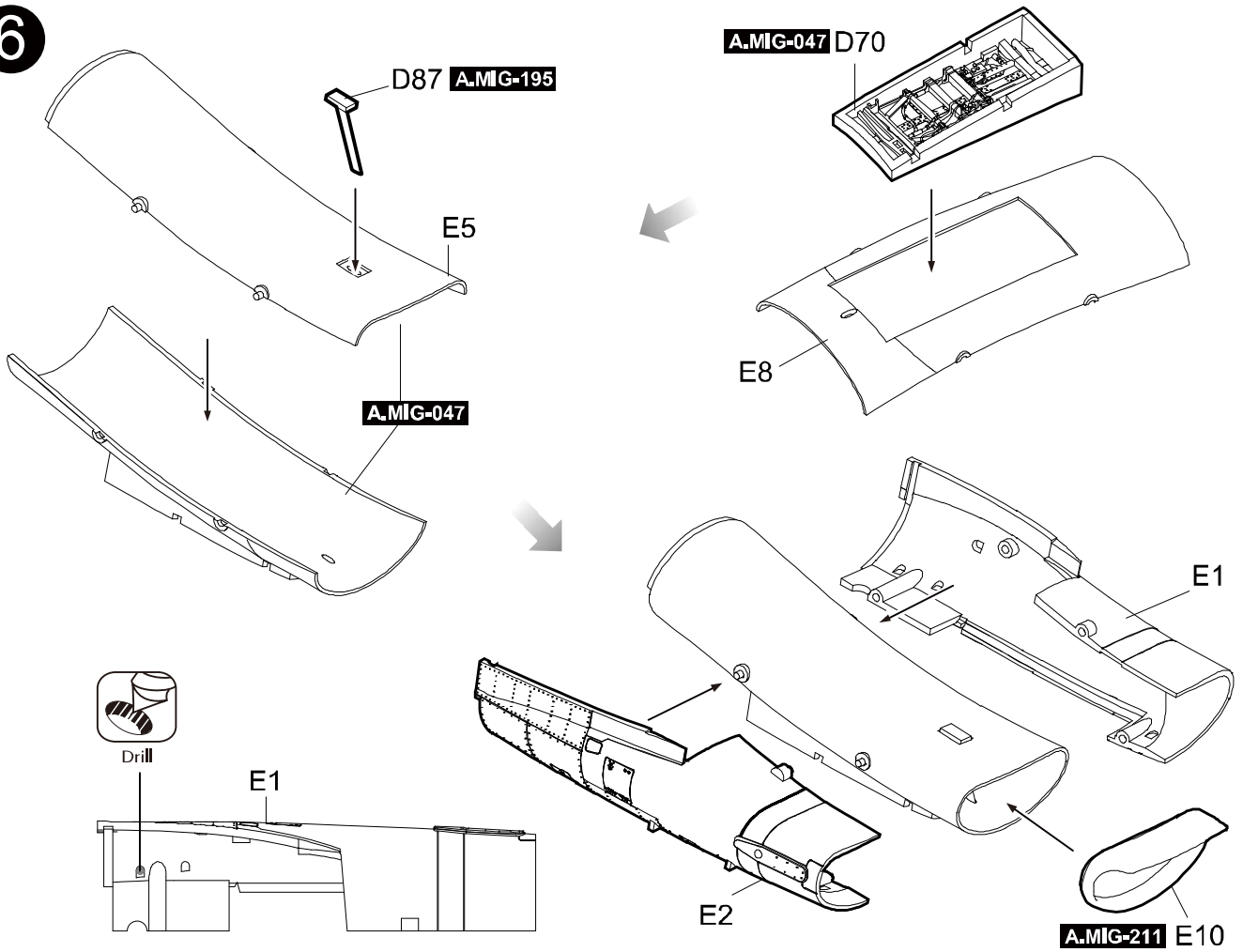
4



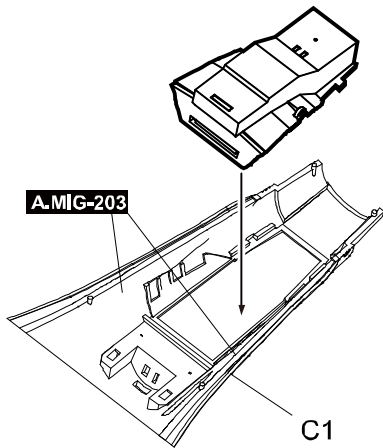
5



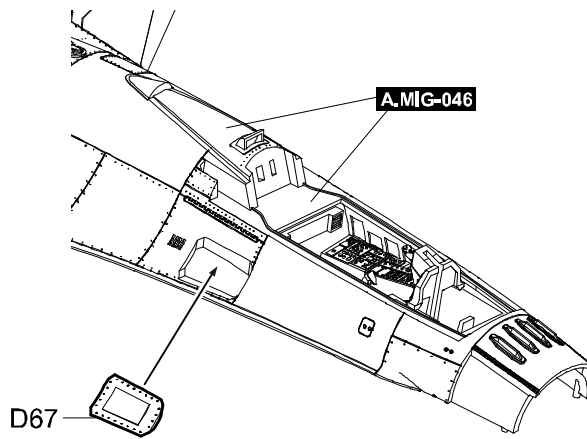
6



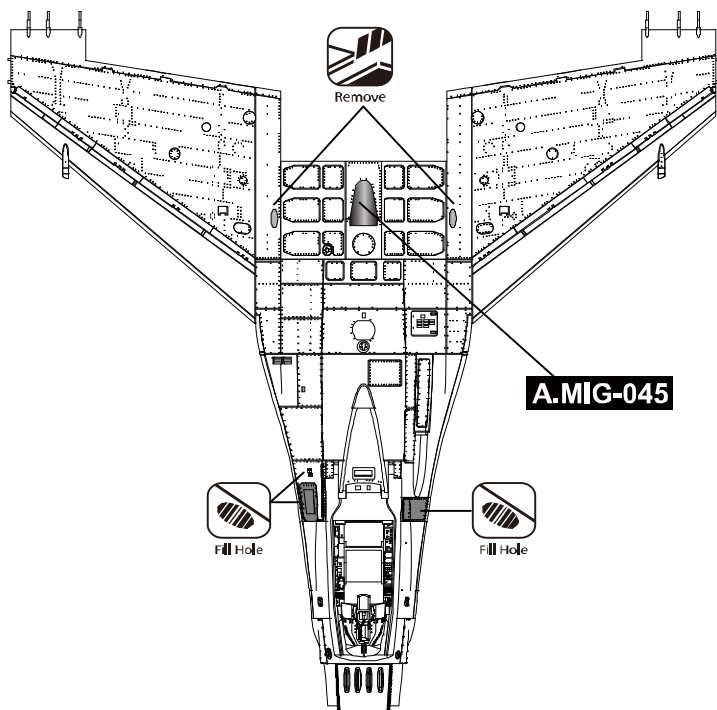
7



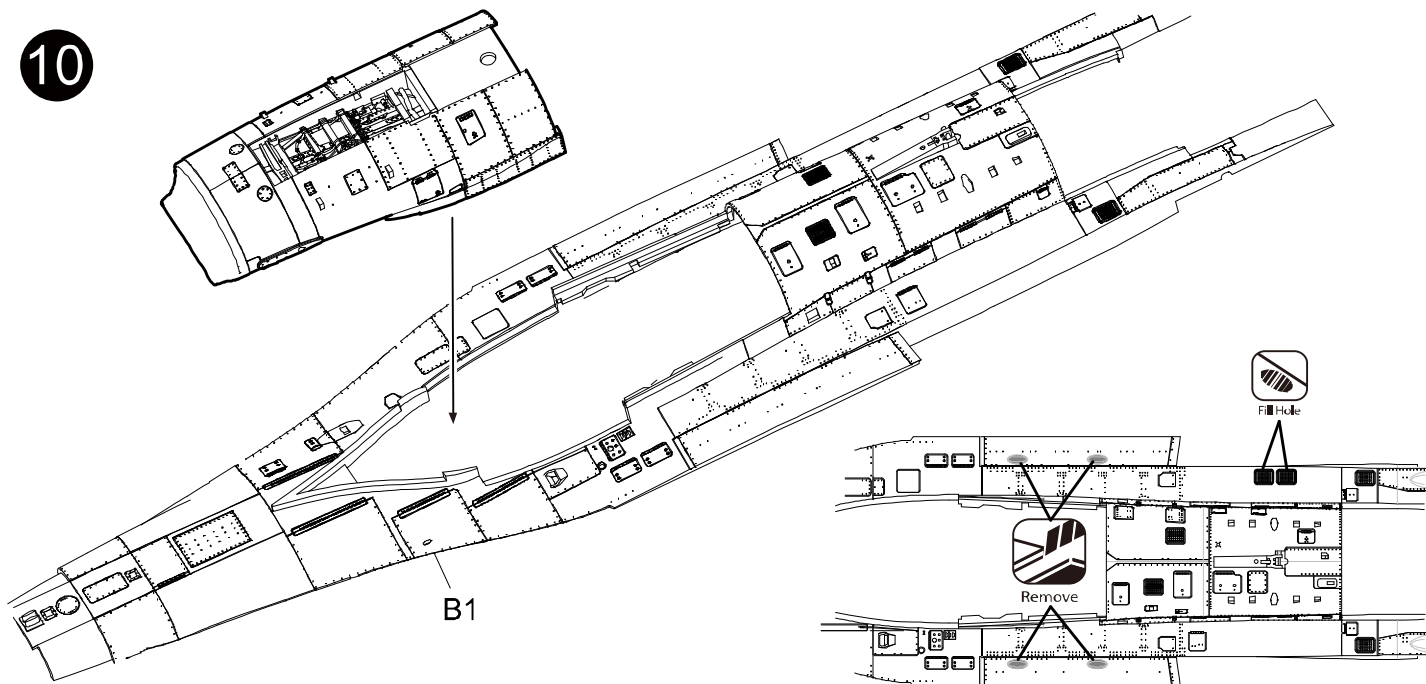
8



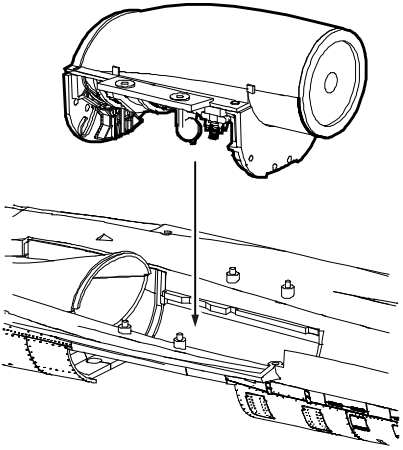
9



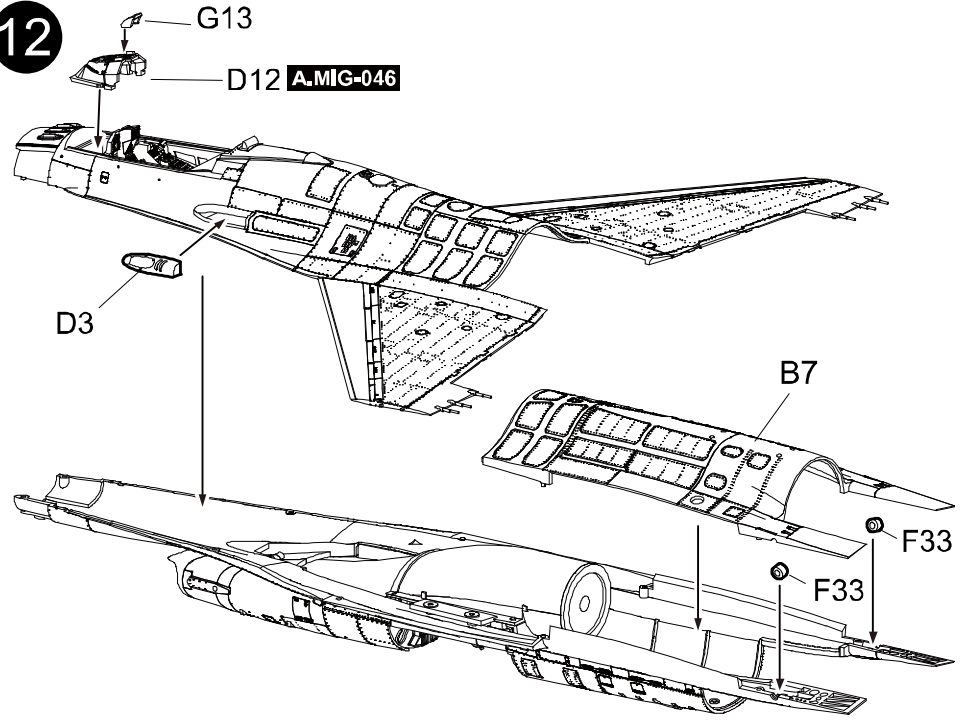
10



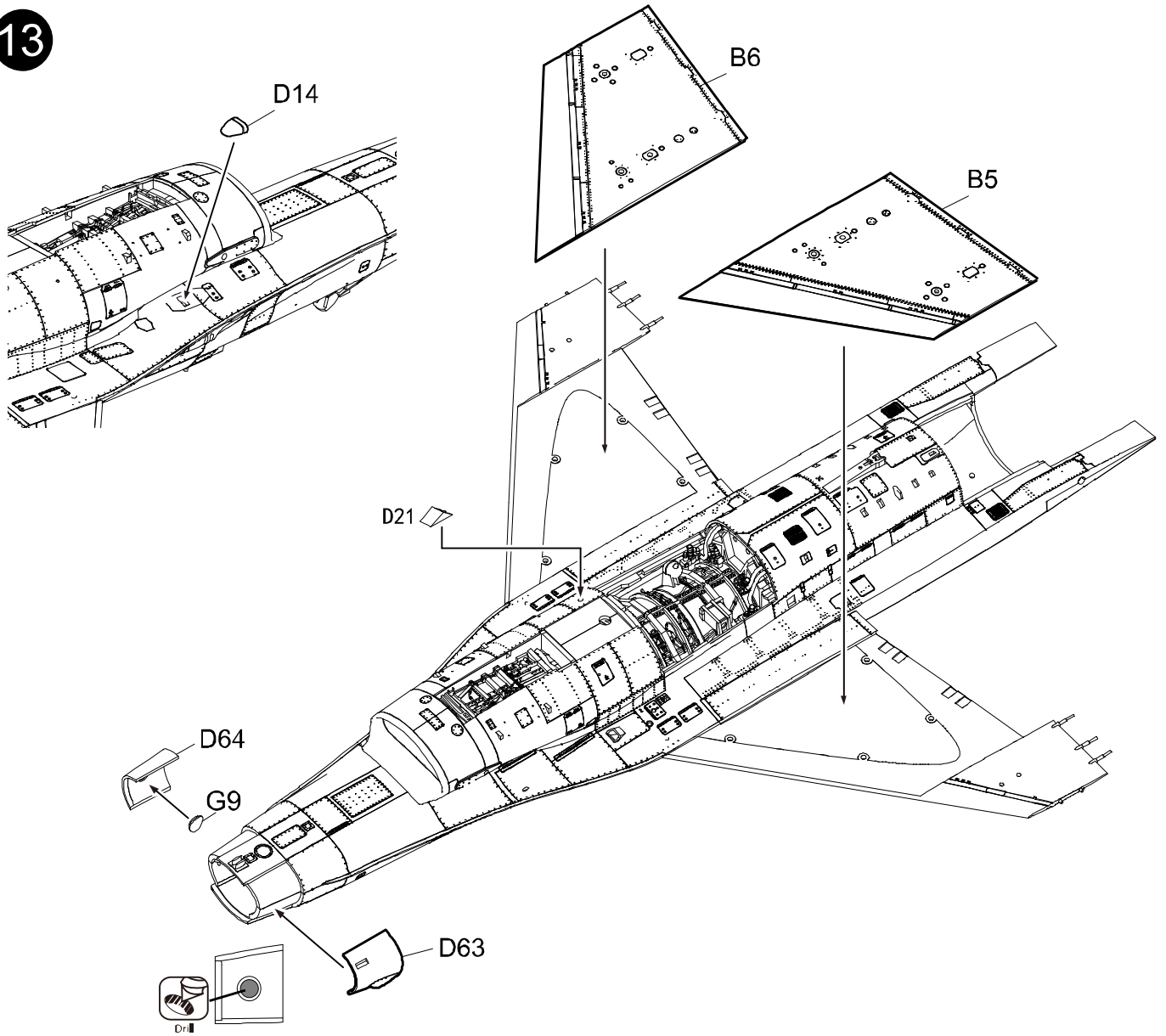
11



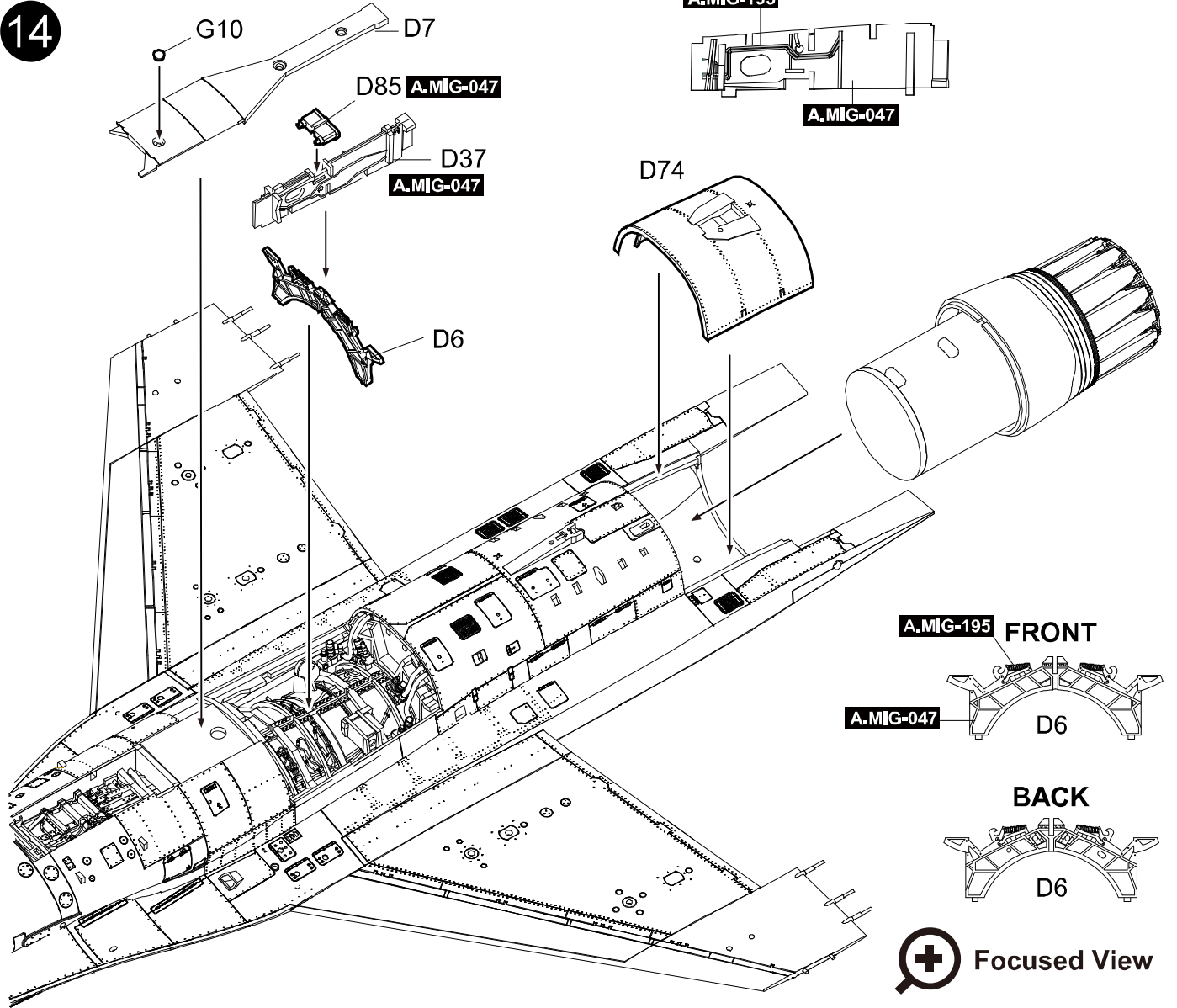
12



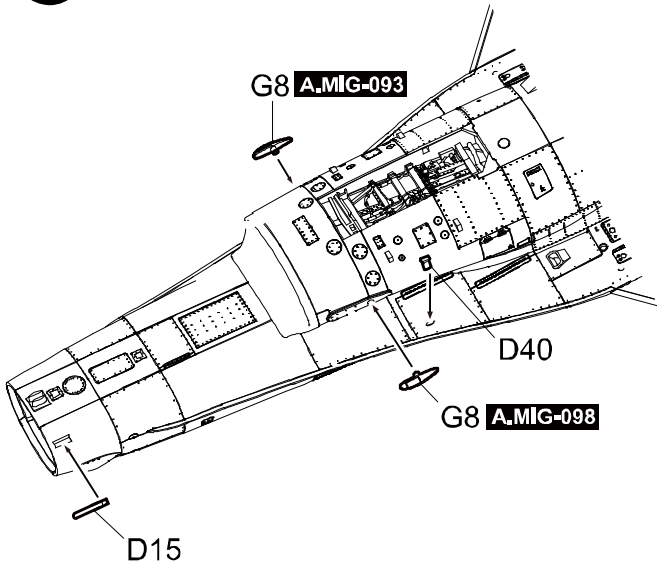
13



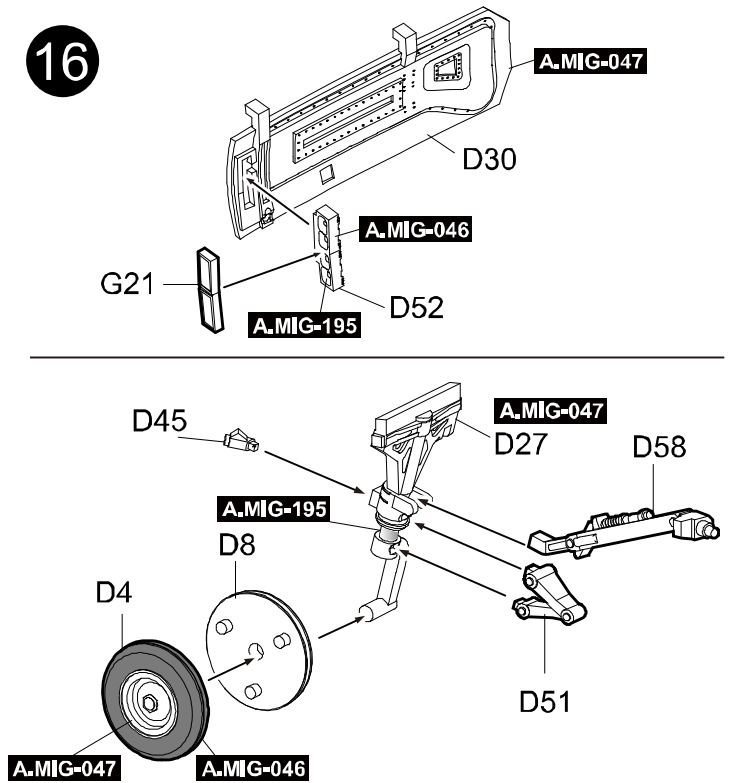
14



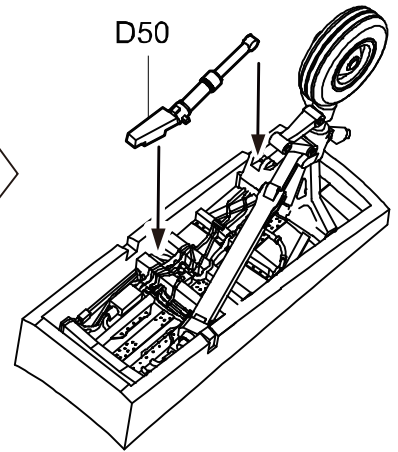
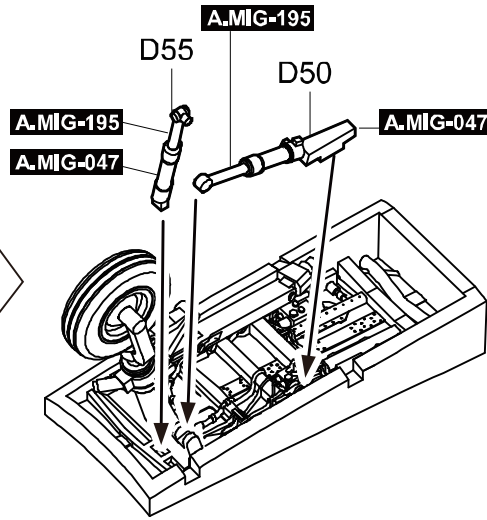
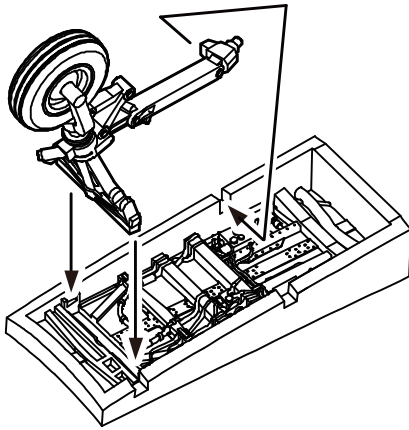
15



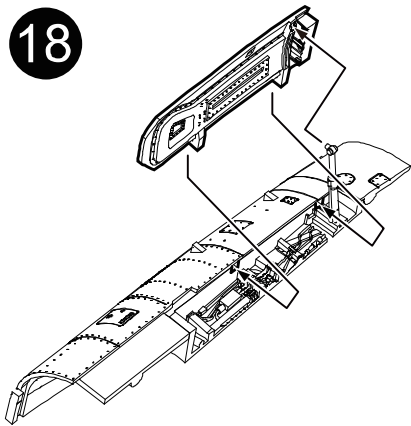
16



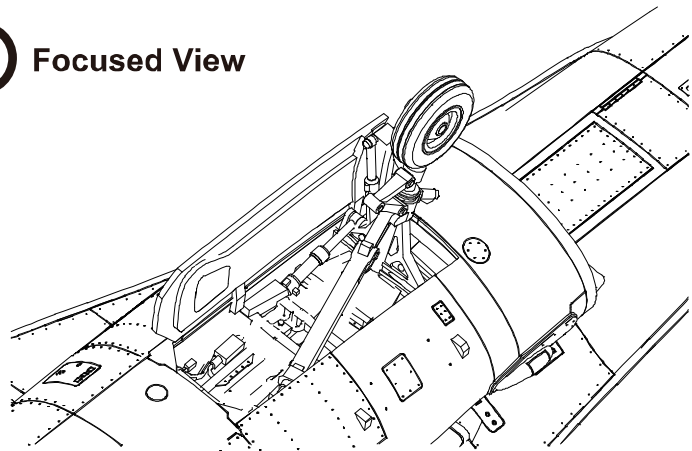
17



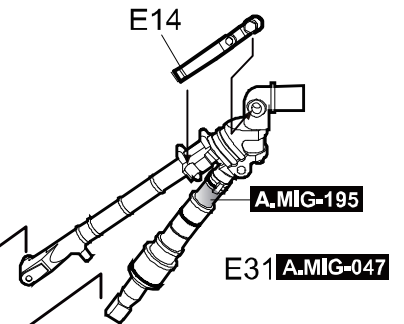
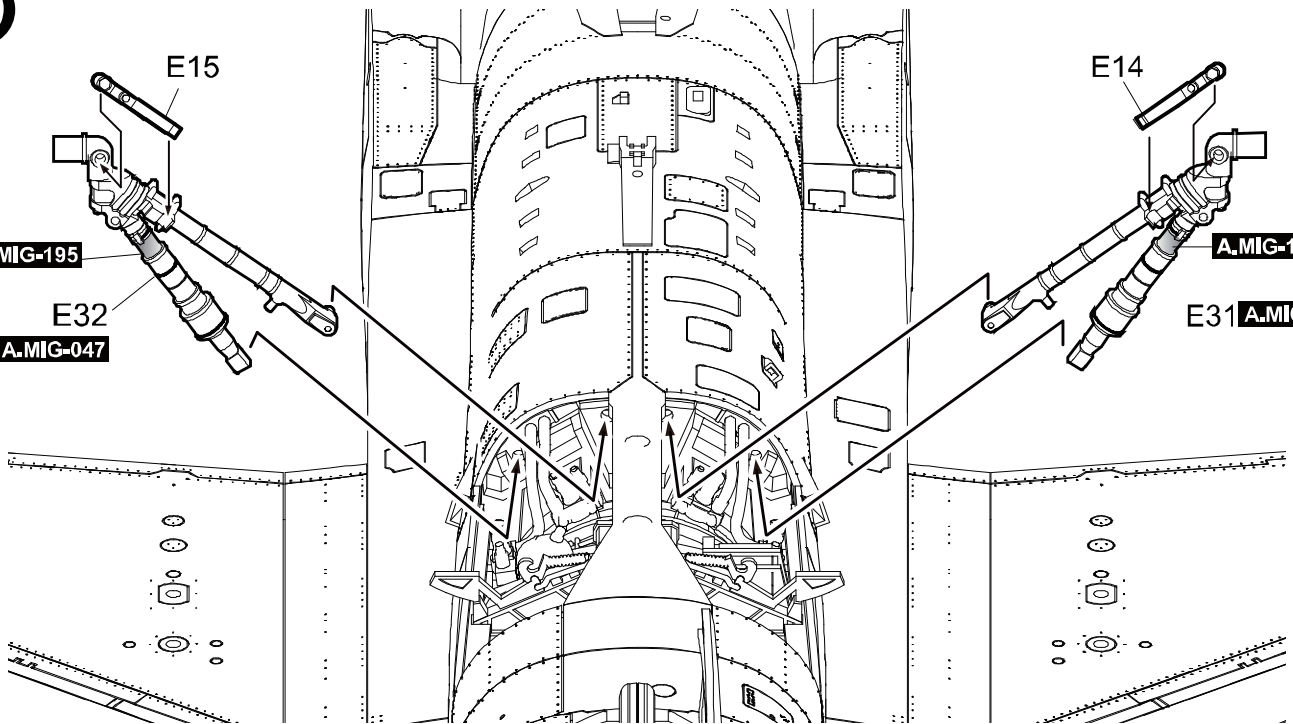
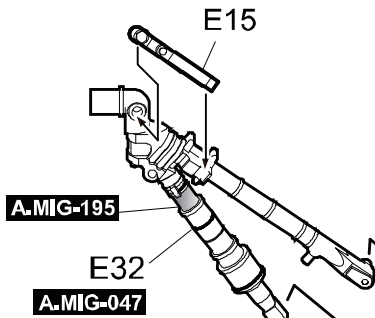
18



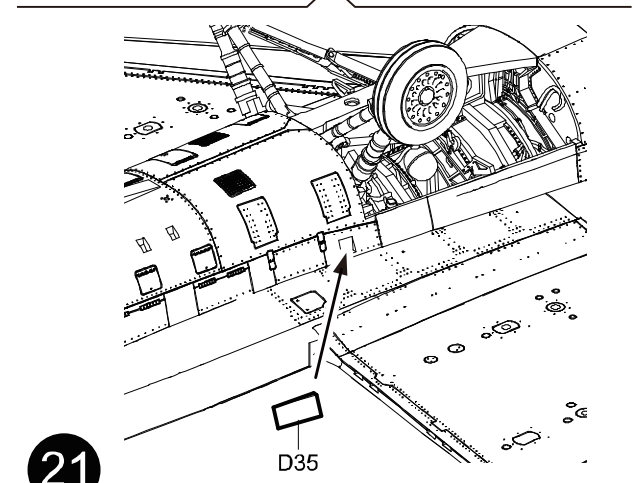
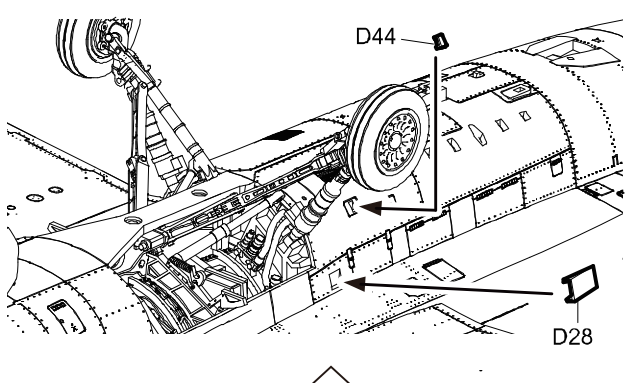
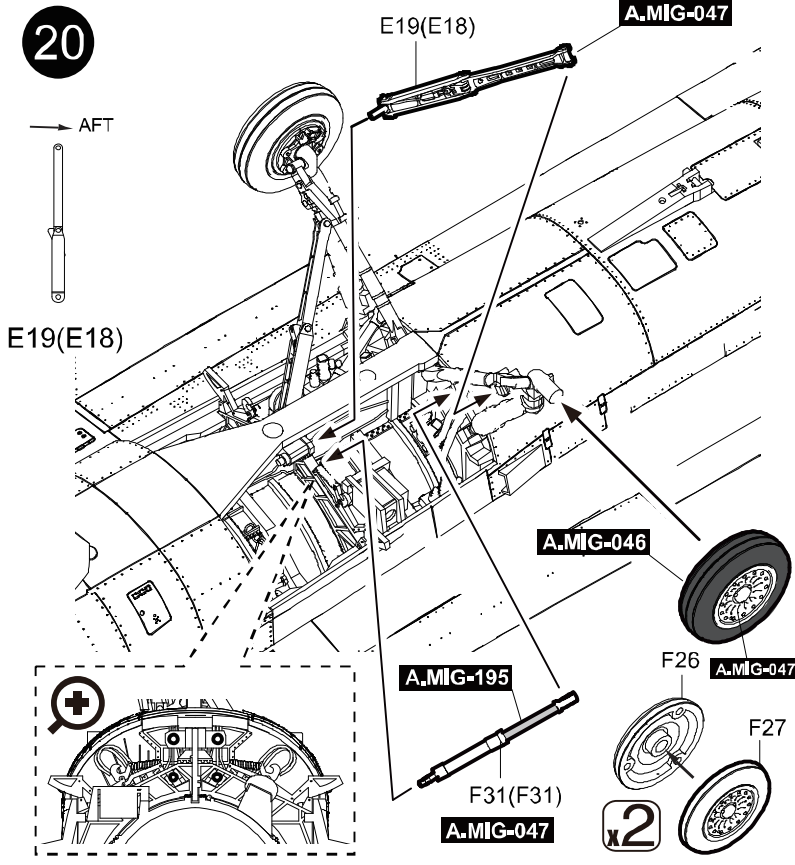
⊕ Focused View



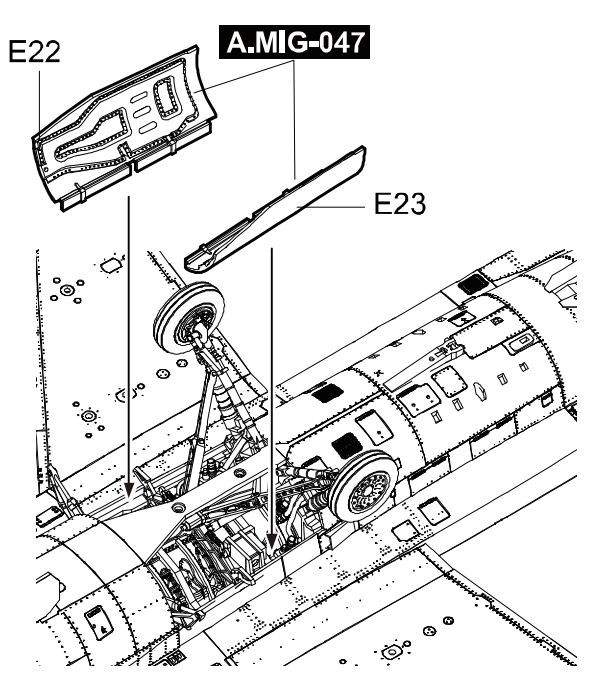
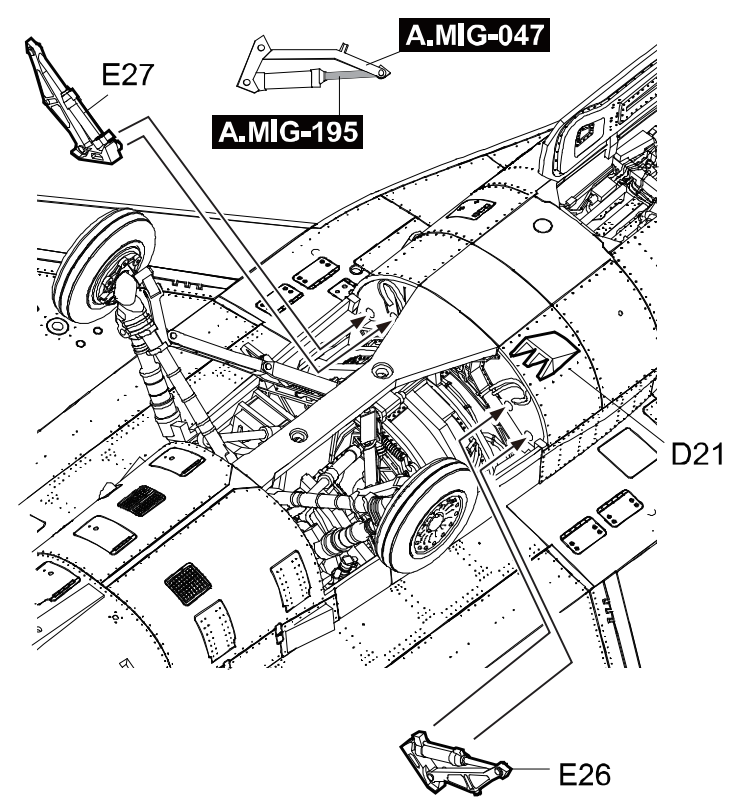
19



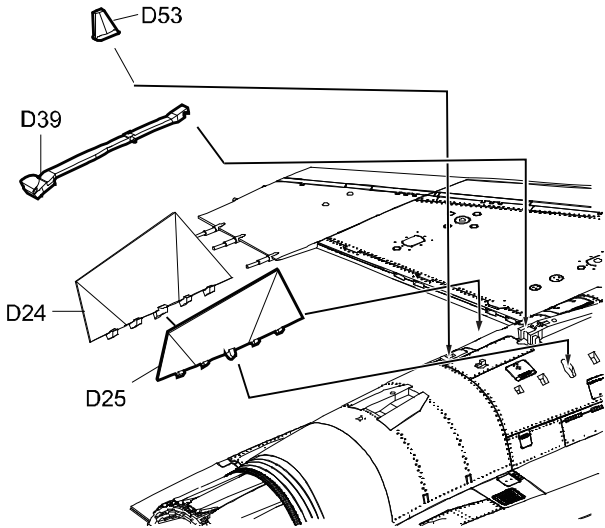
20



22

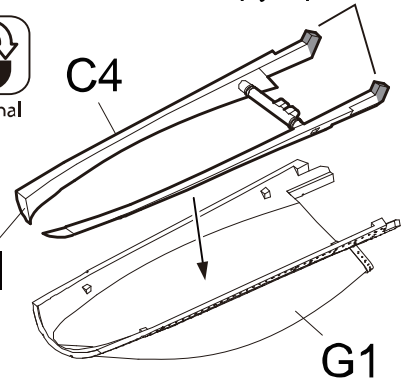


23



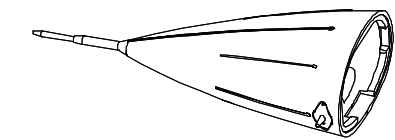
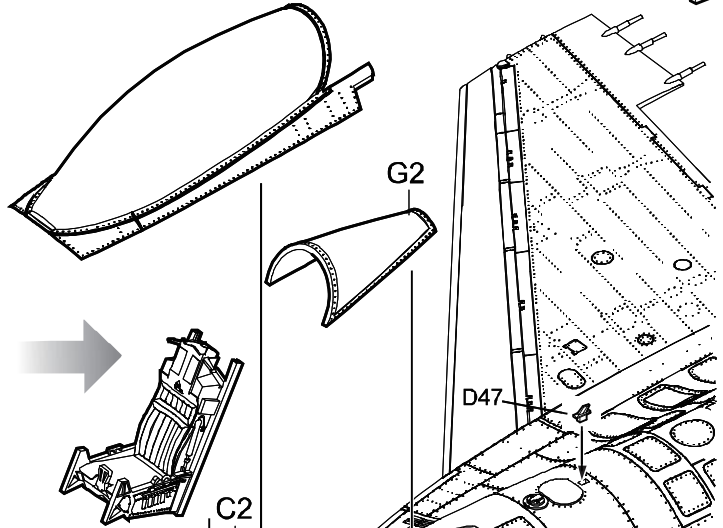
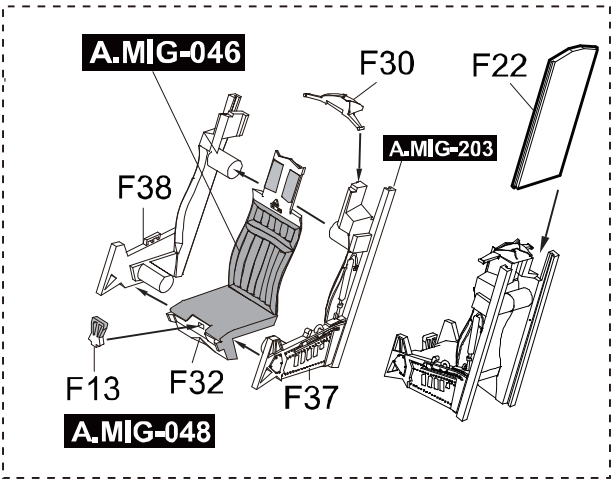
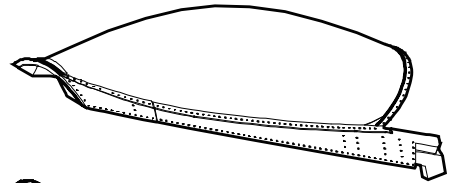
24

Cut for closed canopy option.



A.MIG-046

G1



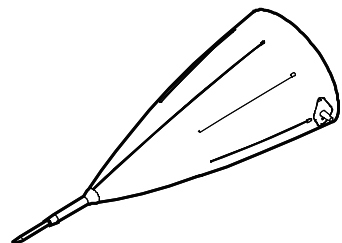
A.MIG-203



A.MIG-011

D79

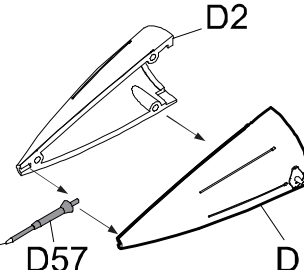
D38



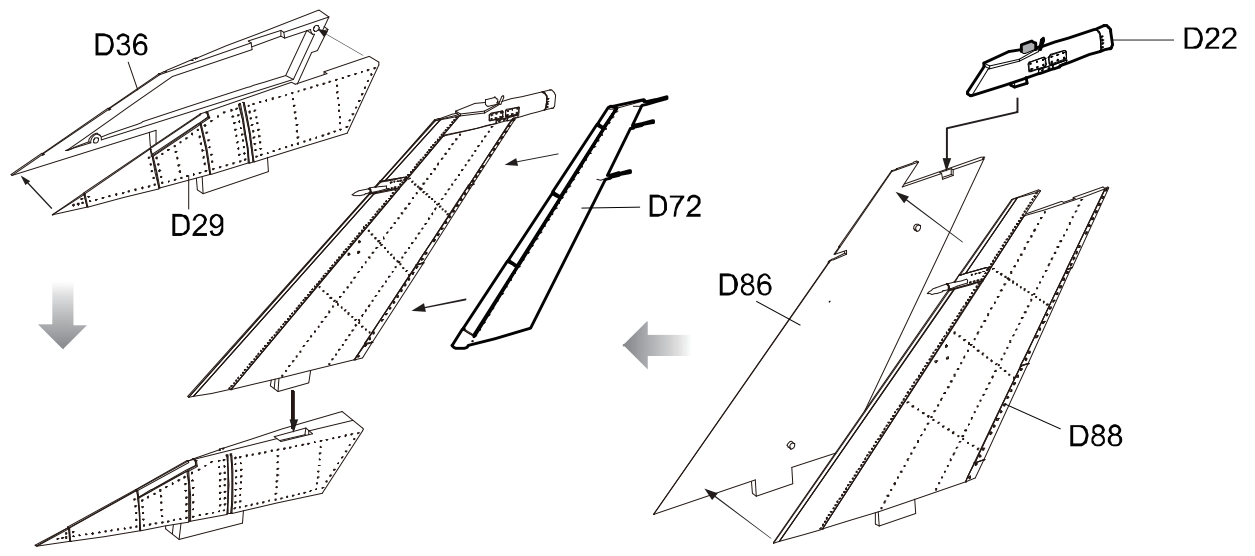
A.MIG-195

D57

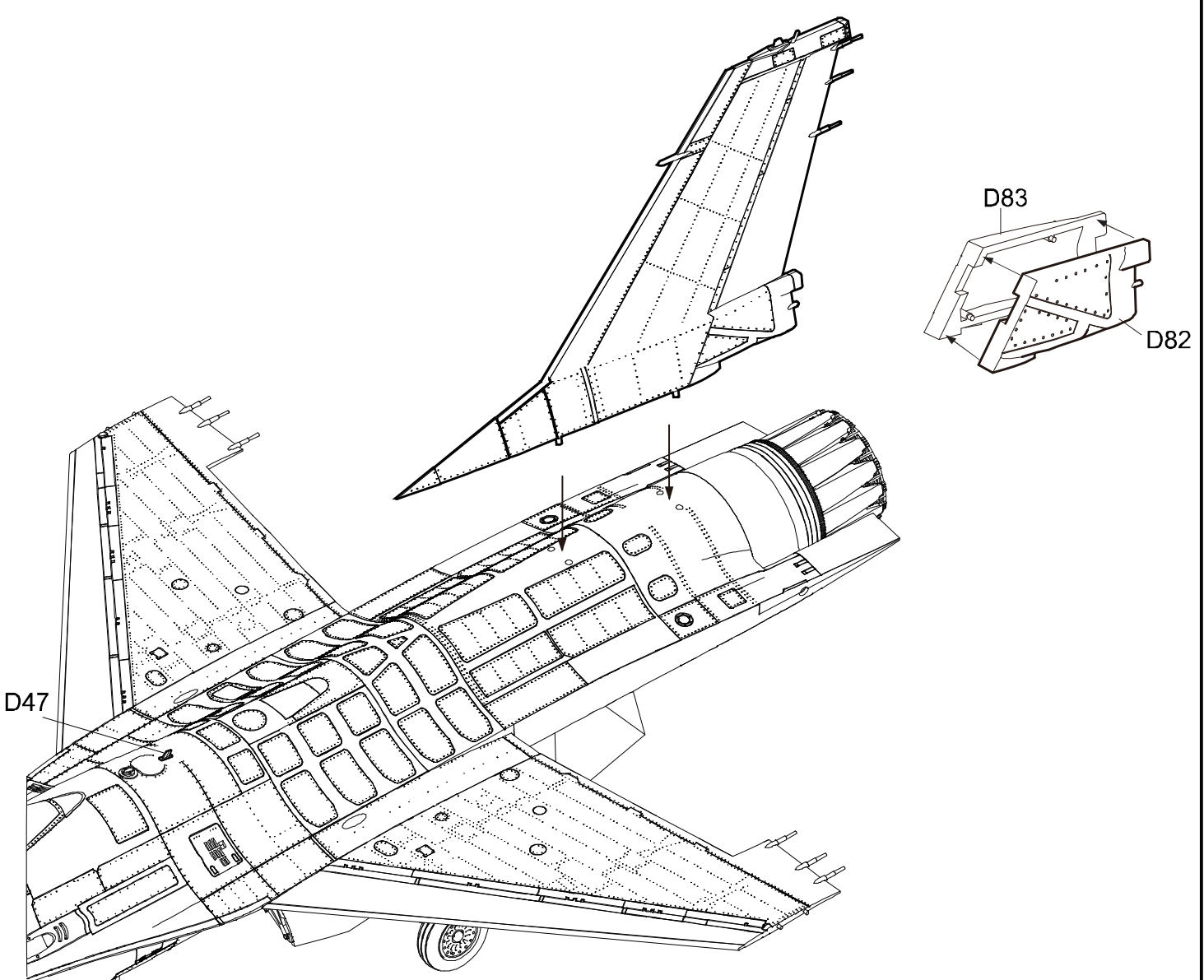
D1

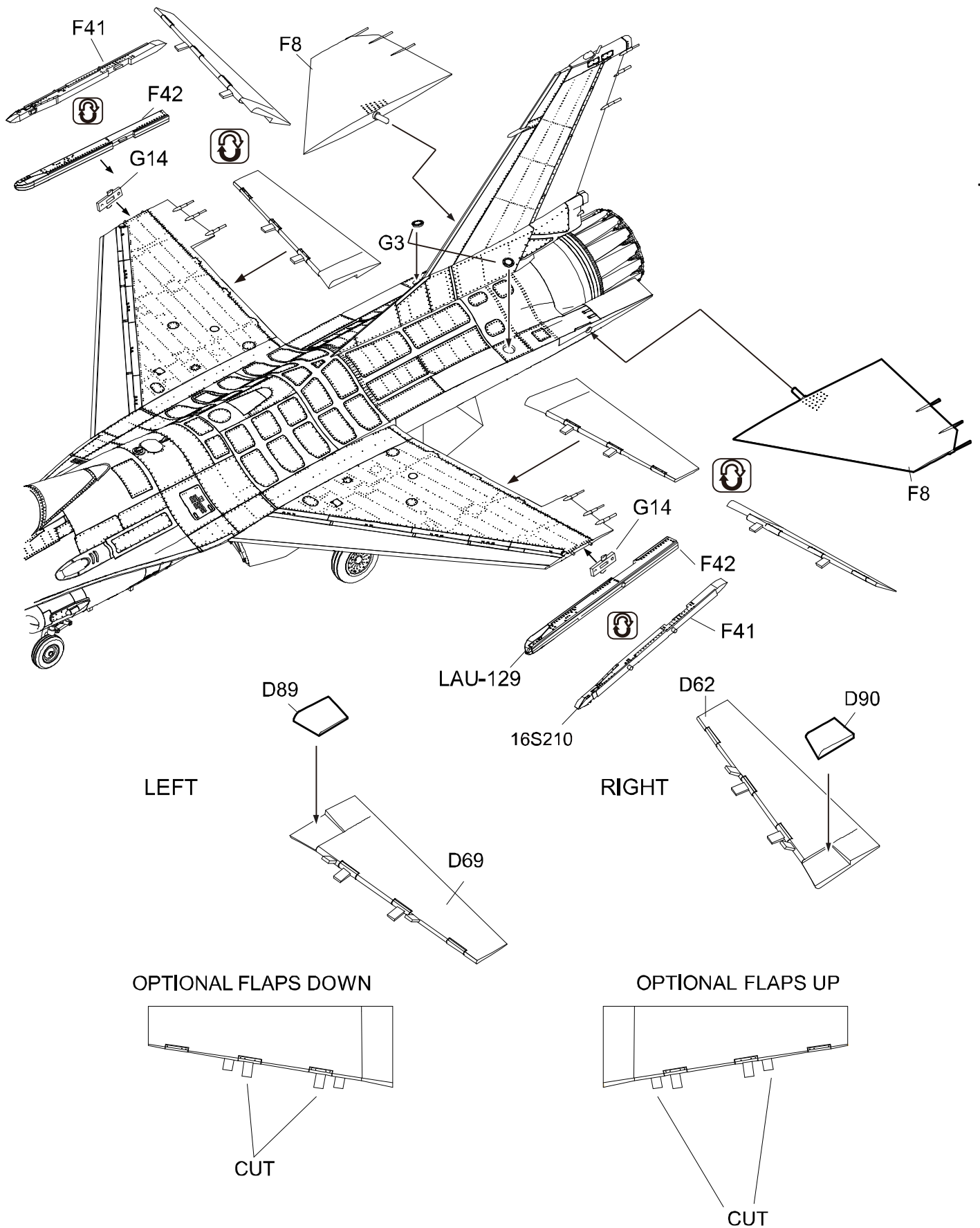


25

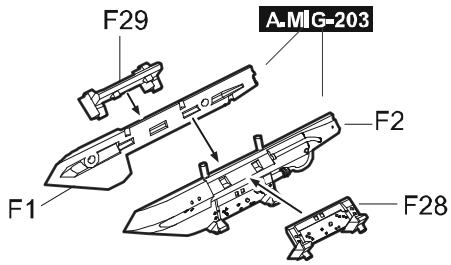


26

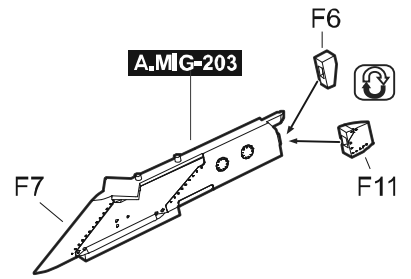




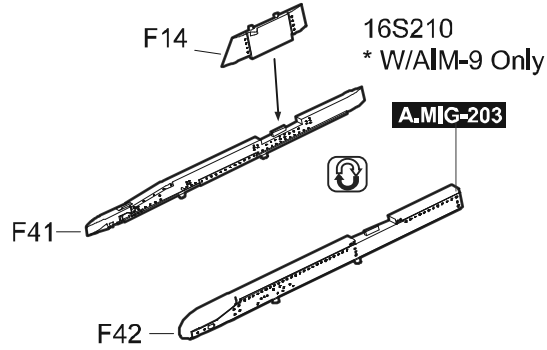
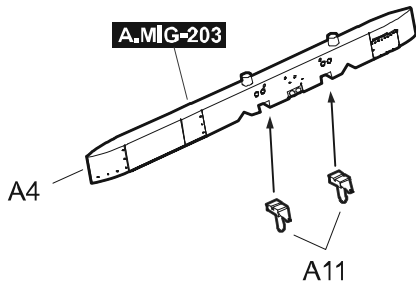
TER



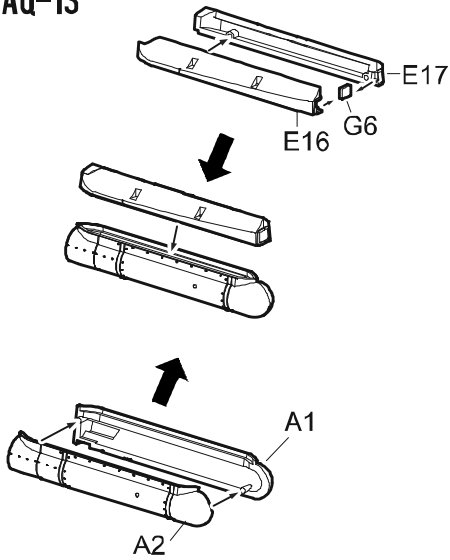
WINGTANK PYLON



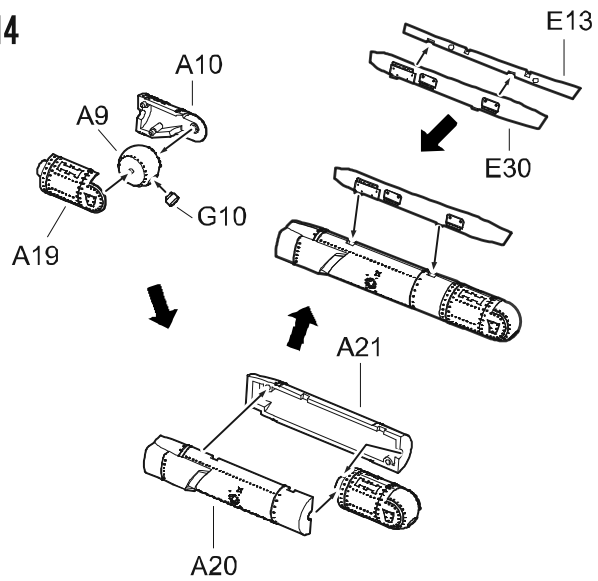
CENTENLINE PYLON



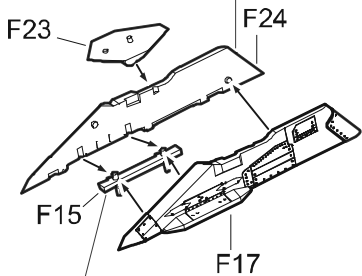
AAQ-13



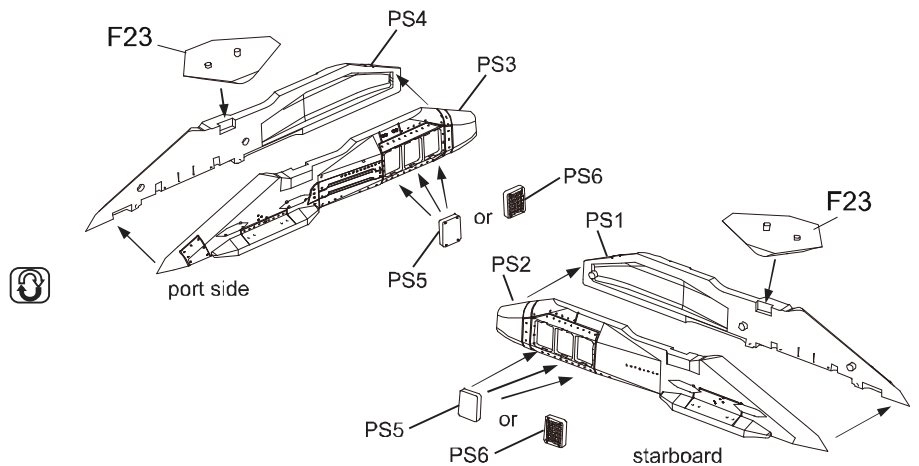
AAQ-14



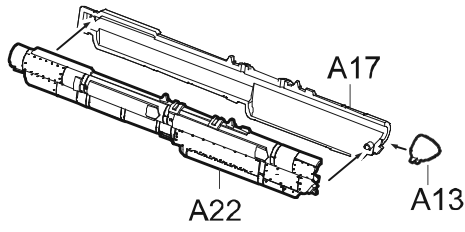
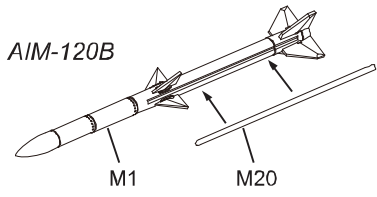
MIDDLE PYLON A.MIG-203



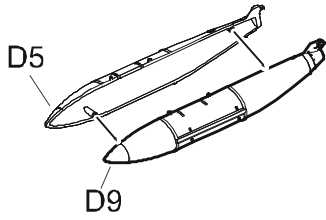
*DO NOT INSTALL #F15 FOR TER



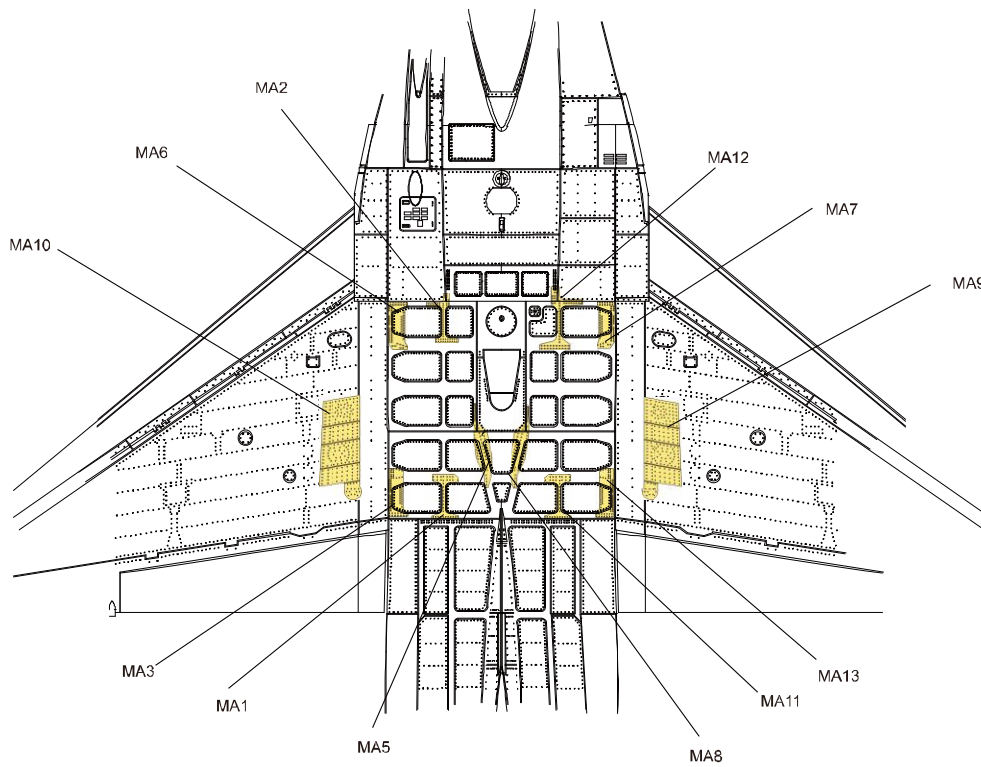
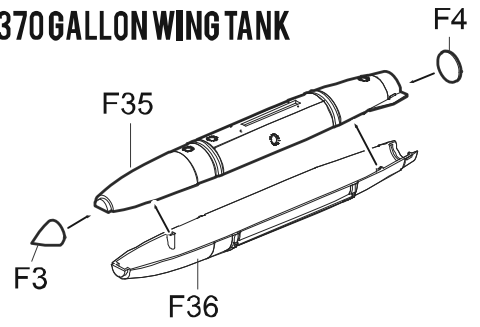
ALQ-184



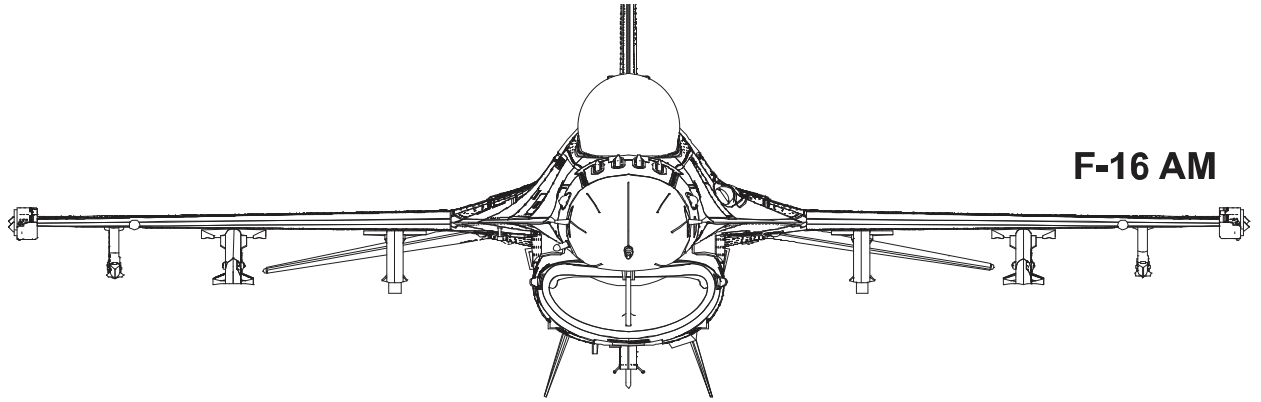
300GALLONCENTENLINE TANK



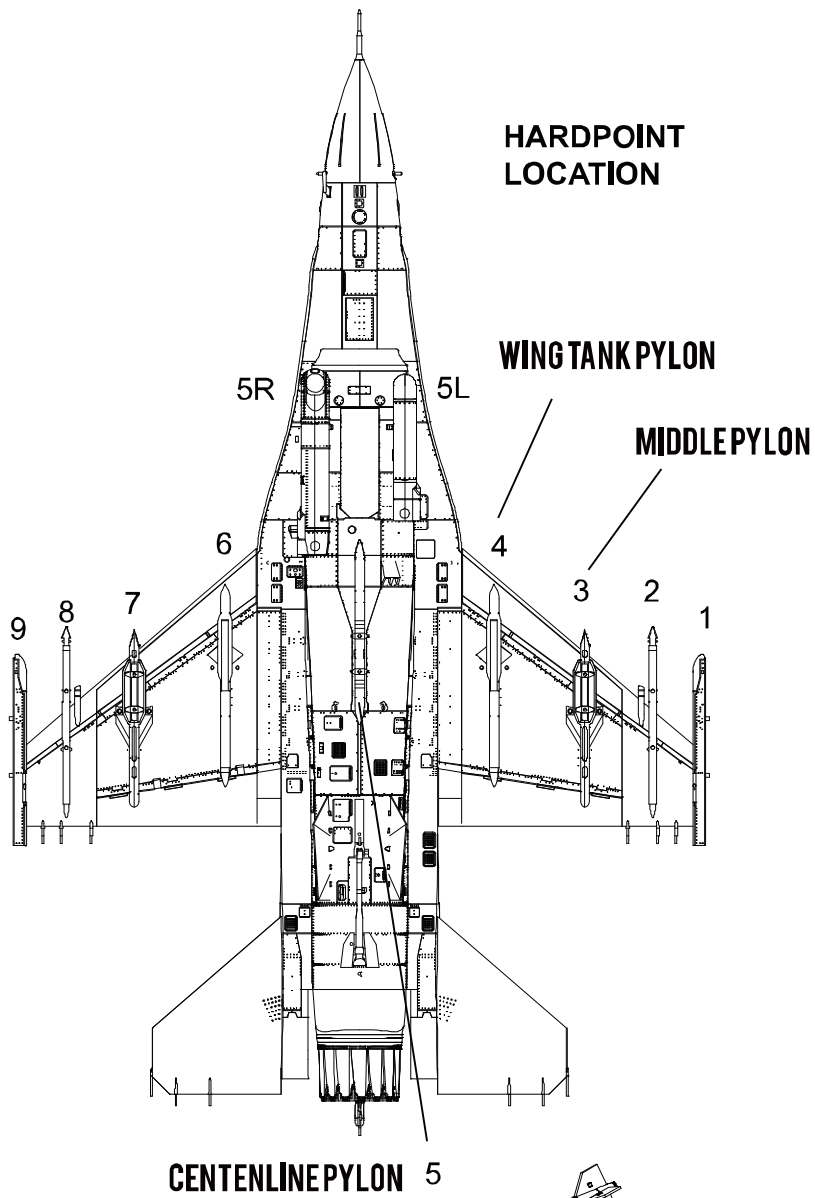
370GALLON WING TANK



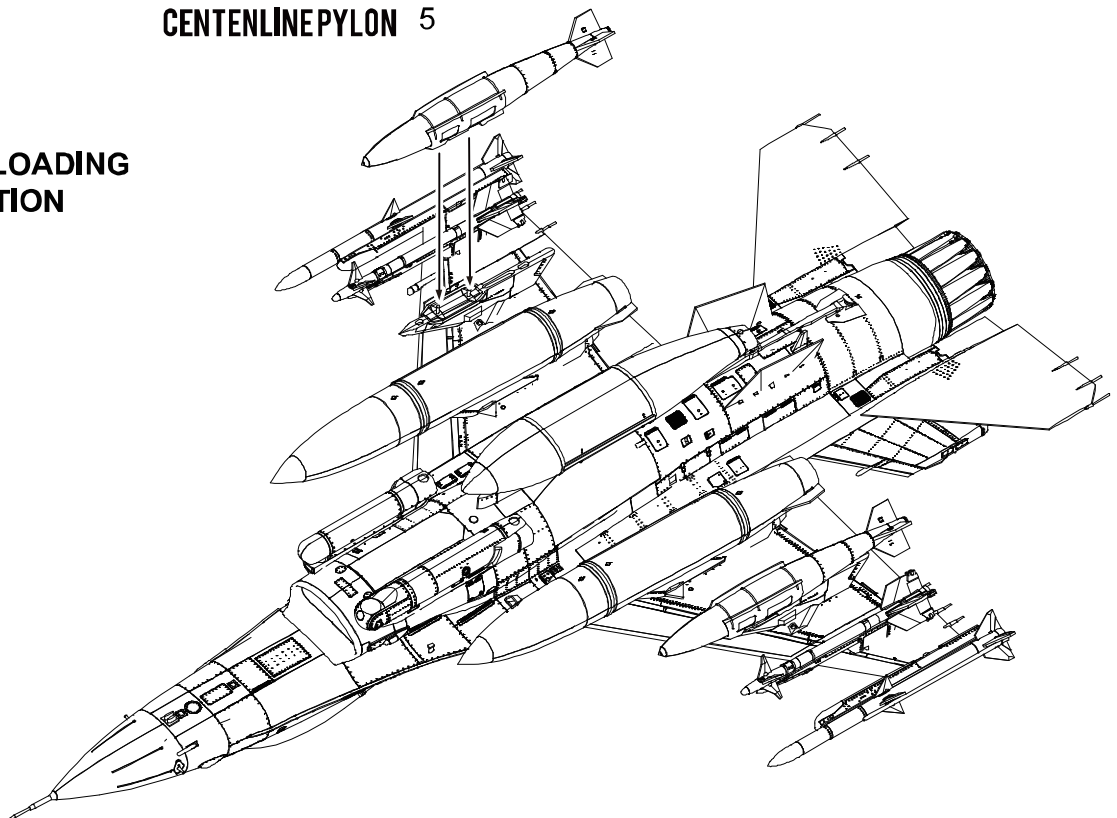
EXTERNAL STORES

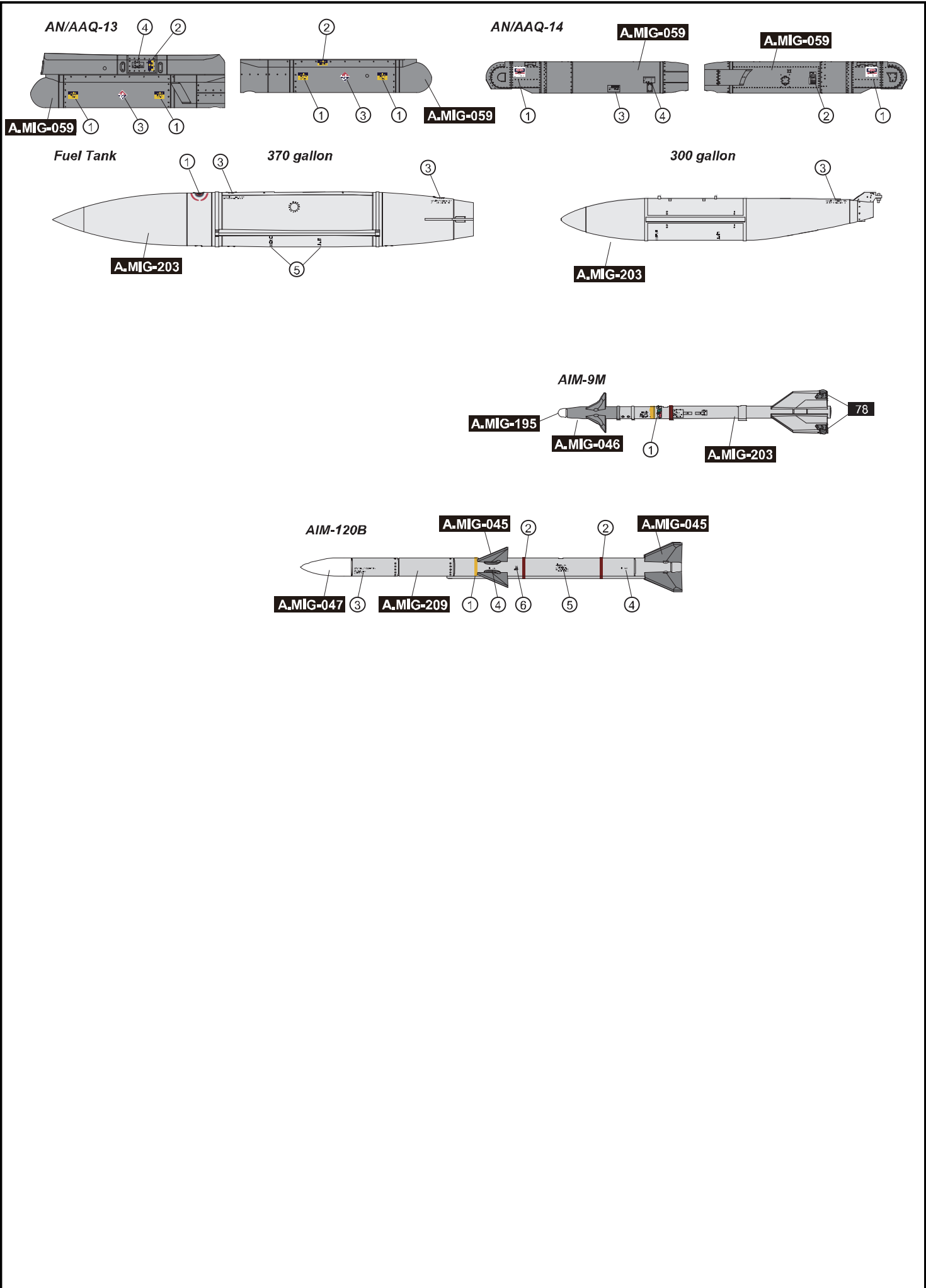


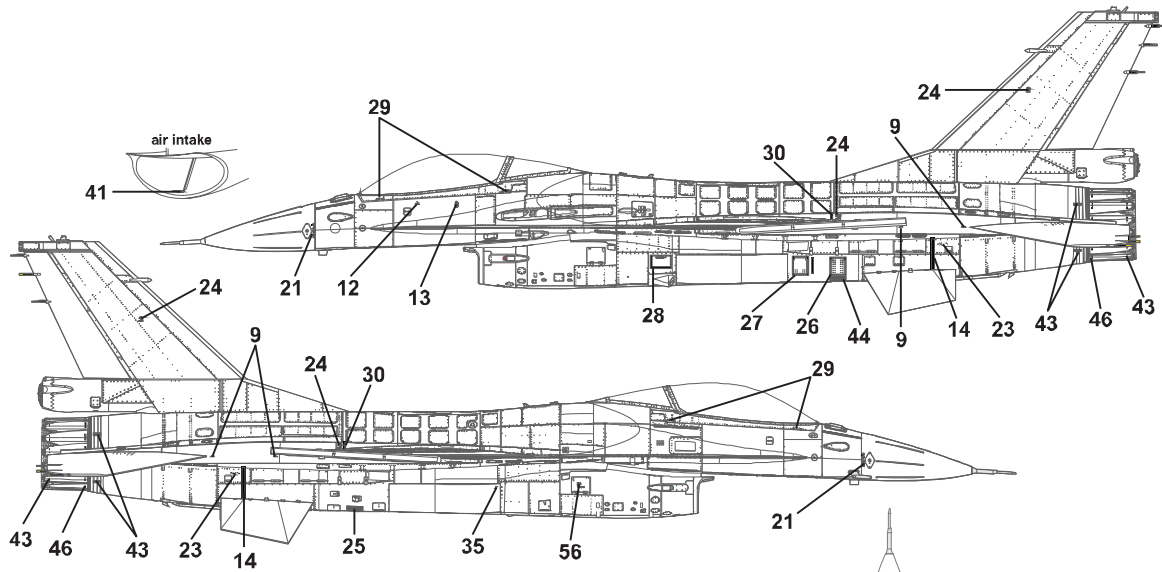
Station No. Weapons	9	8	7	6	5R	5	5L	4	3	2	1
16S210 (W/AIM-9M only)	●	●								●	●
LAU-129	●	●								●	●
AIM-9M	●	●								●	●
AIM-120B	●	●								●	●
370gal. Fuel tank				●				●			
300gal. Fuel tank						●					
AN/AAQ-13							●				
AN/AAQ-14					●						



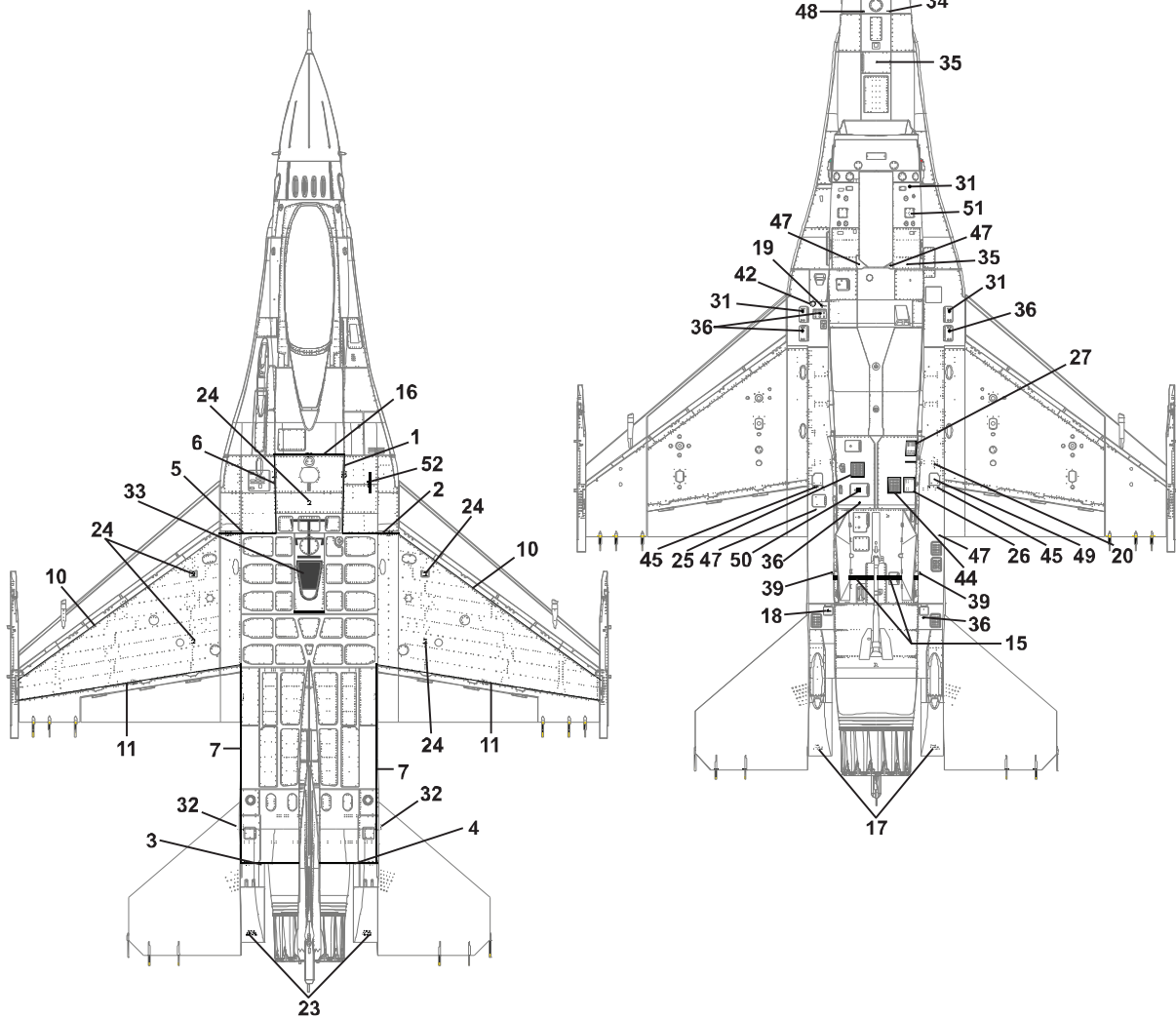
WEAPON LOADING ILLUSTRATION



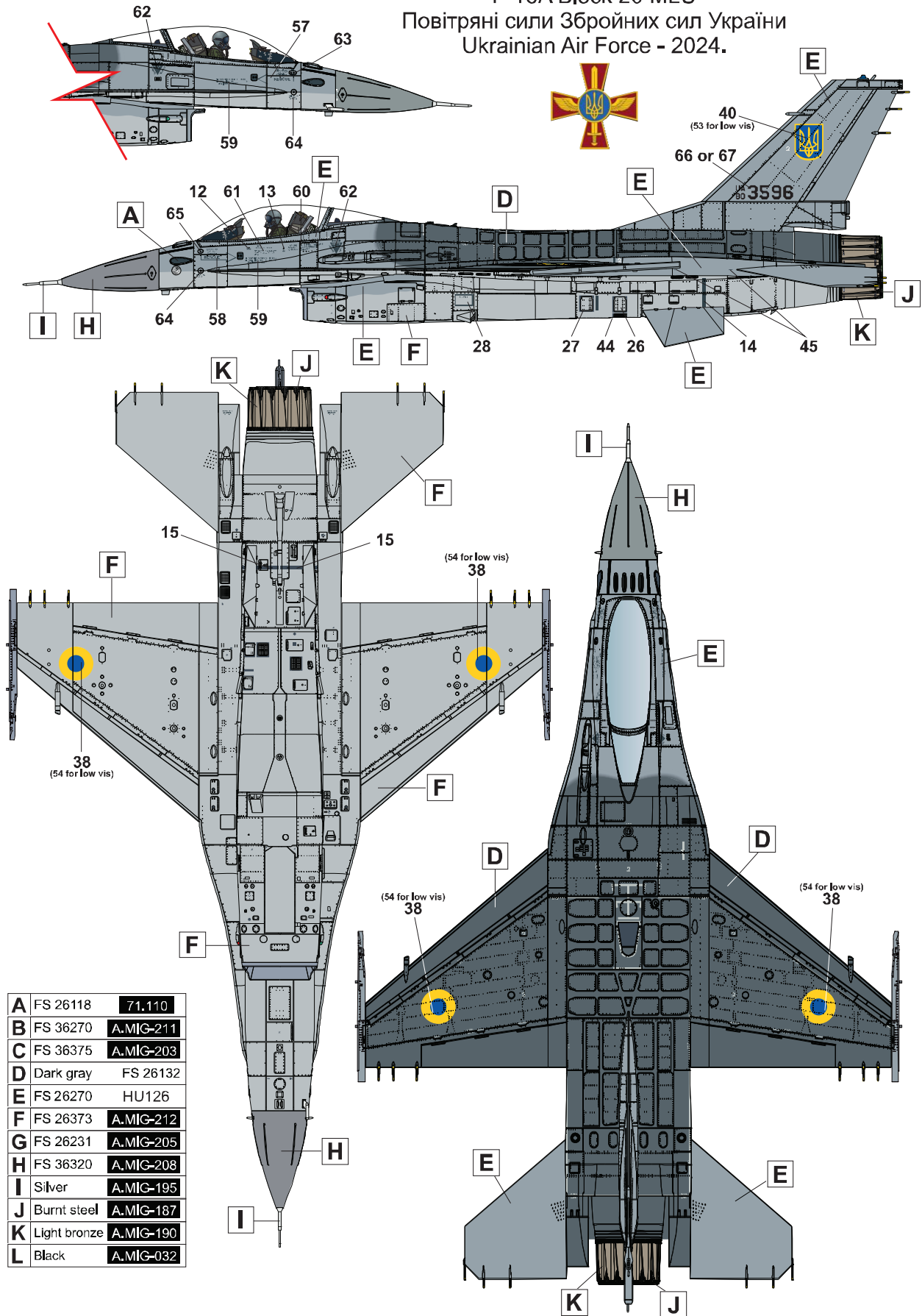




Stencils map



F-16A Block 20 MLU
Повітряні сили Збройних сил України
Ukrainian Air Force - 2024.



A	FS 26118	71.110
B	FS 36270	A.MIG-211
C	FS 36375	A.MIG-203
D	Dark gray	FS 26132
E	FS 26270	HU126
F	FS 26373	A.MIG-212
G	FS 26231	A.MIG-205
H	FS 36320	A.MIG-208
I	Silver	A.MIG-195
J	Burnt steel	A.MIG-187
K	Light bronze	A.MIG-190
L	Black	A.MIG-032