

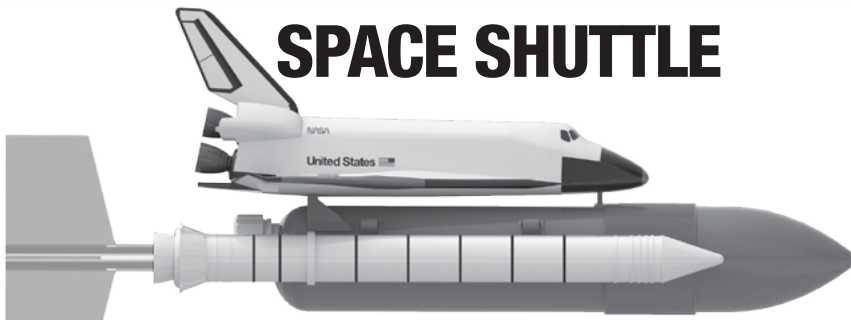


EstesRockets.com

# SPACE SHUTTLE

9991

AGES  
10+



1:200 Scale

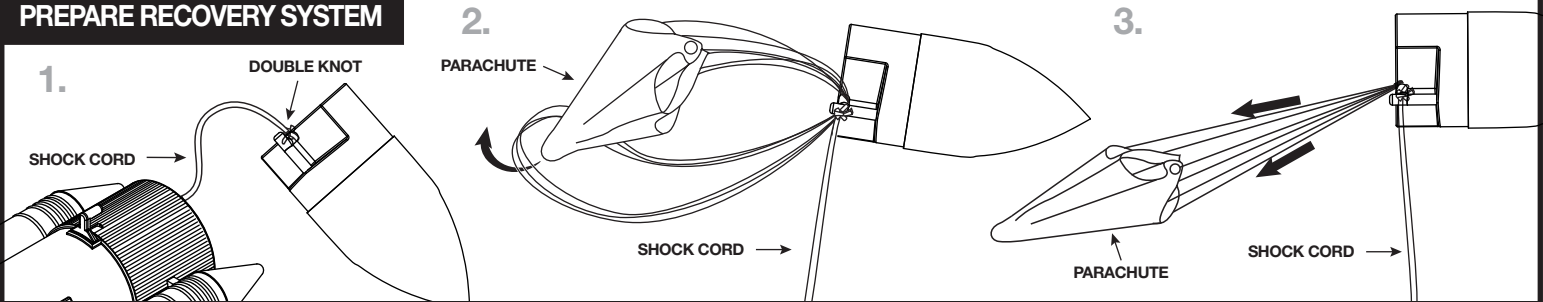
## READY TO FLY MODEL ROCKET INSTRUCTIONS

KEEP FOR FUTURE REFERENCE

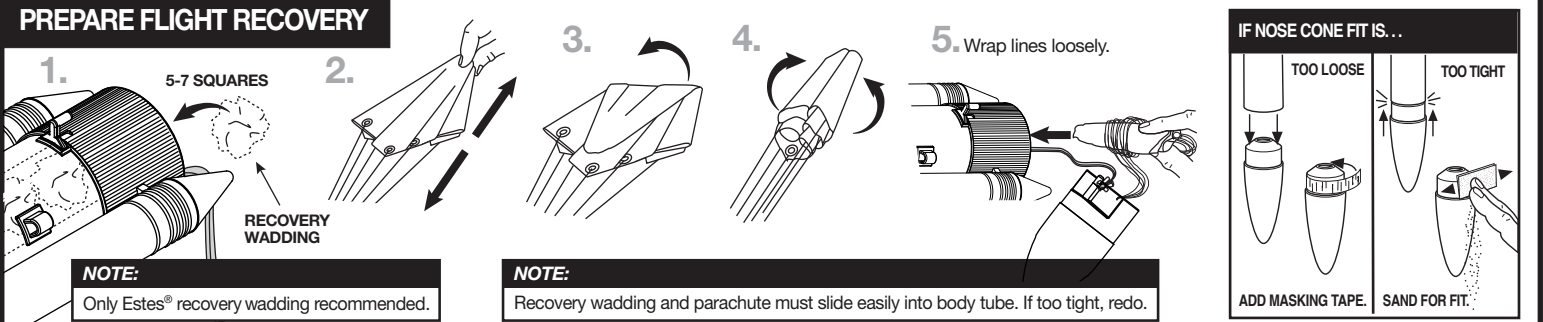
**IMPORTANT:** Please record date found on box near barcode, and keep for future reference. \_\_\_\_\_

Read all instructions carefully.

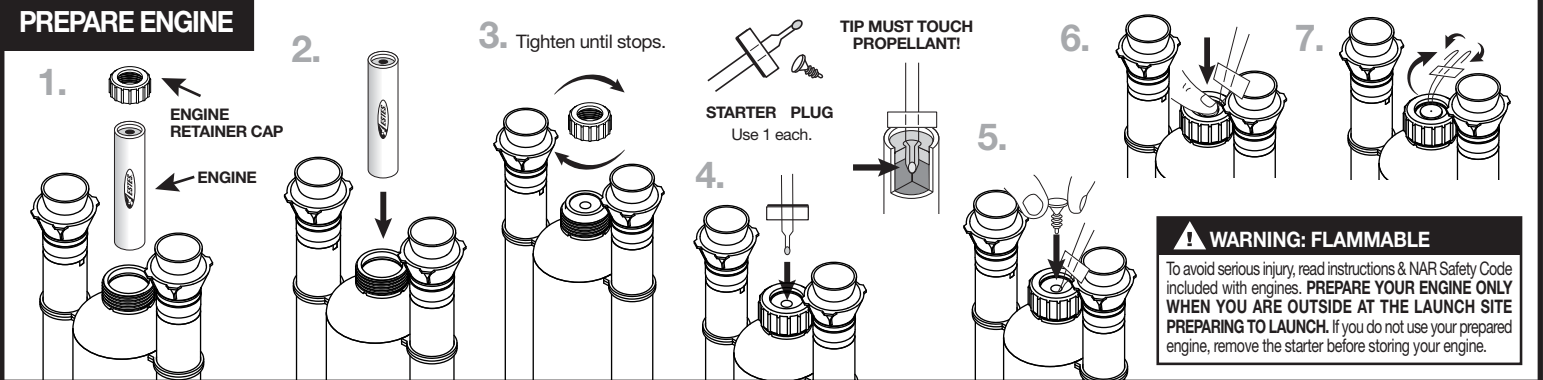
### PREPARE RECOVERY SYSTEM



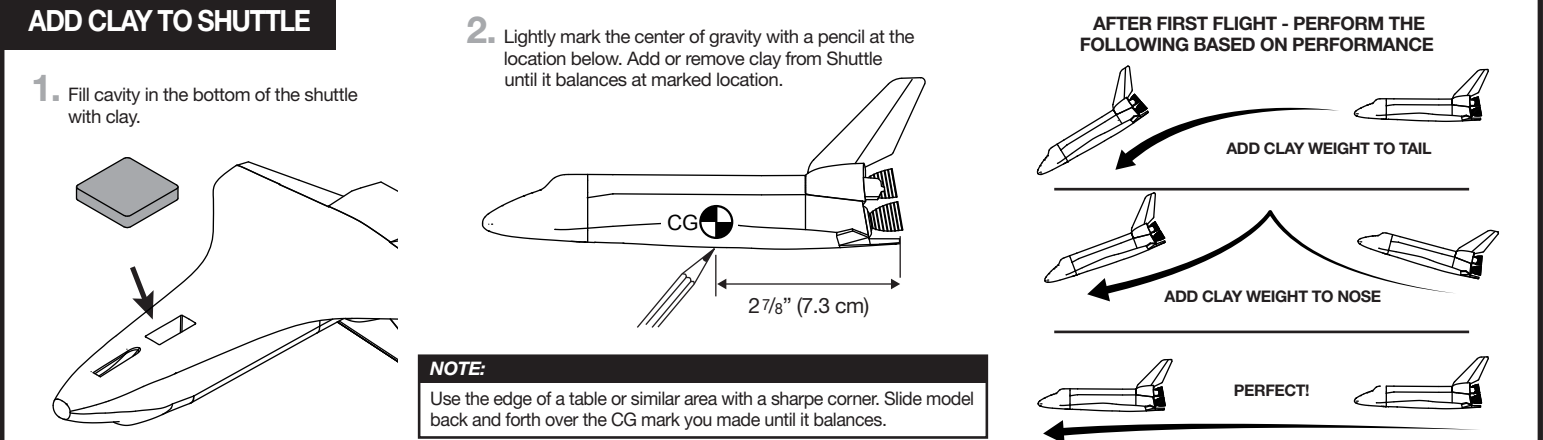
### PREPARE FLIGHT RECOVERY



### PREPARE ENGINE

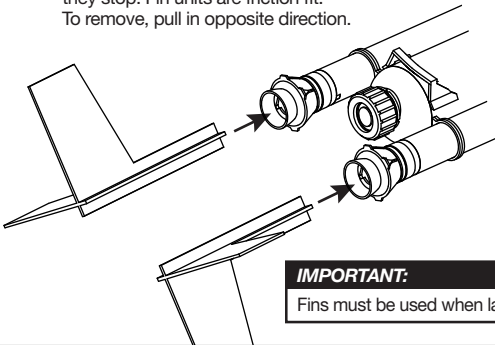


### ADD CLAY TO SHUTTLE



## PREPARE FOR FLIGHT

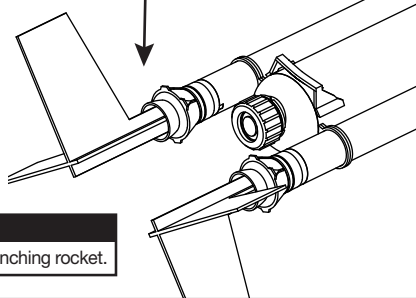
1. Insert and push fin units forward until they stop. Fin units are friction fit. To remove, pull in opposite direction.



2.

### NOTE:

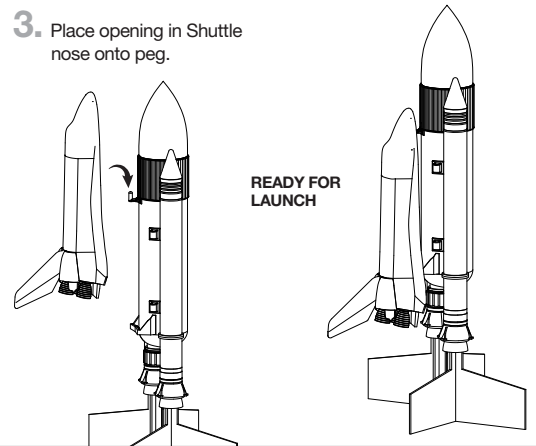
Fins should have a snug fit when placed inside the boosters. If not, add clear tape to one or more sides of the upper fin units that enters the boosters until a snug fit is obtained.



### IMPORTANT:

Fins must be used when launching rocket.

3. Place opening in Shuttle nose onto peg.

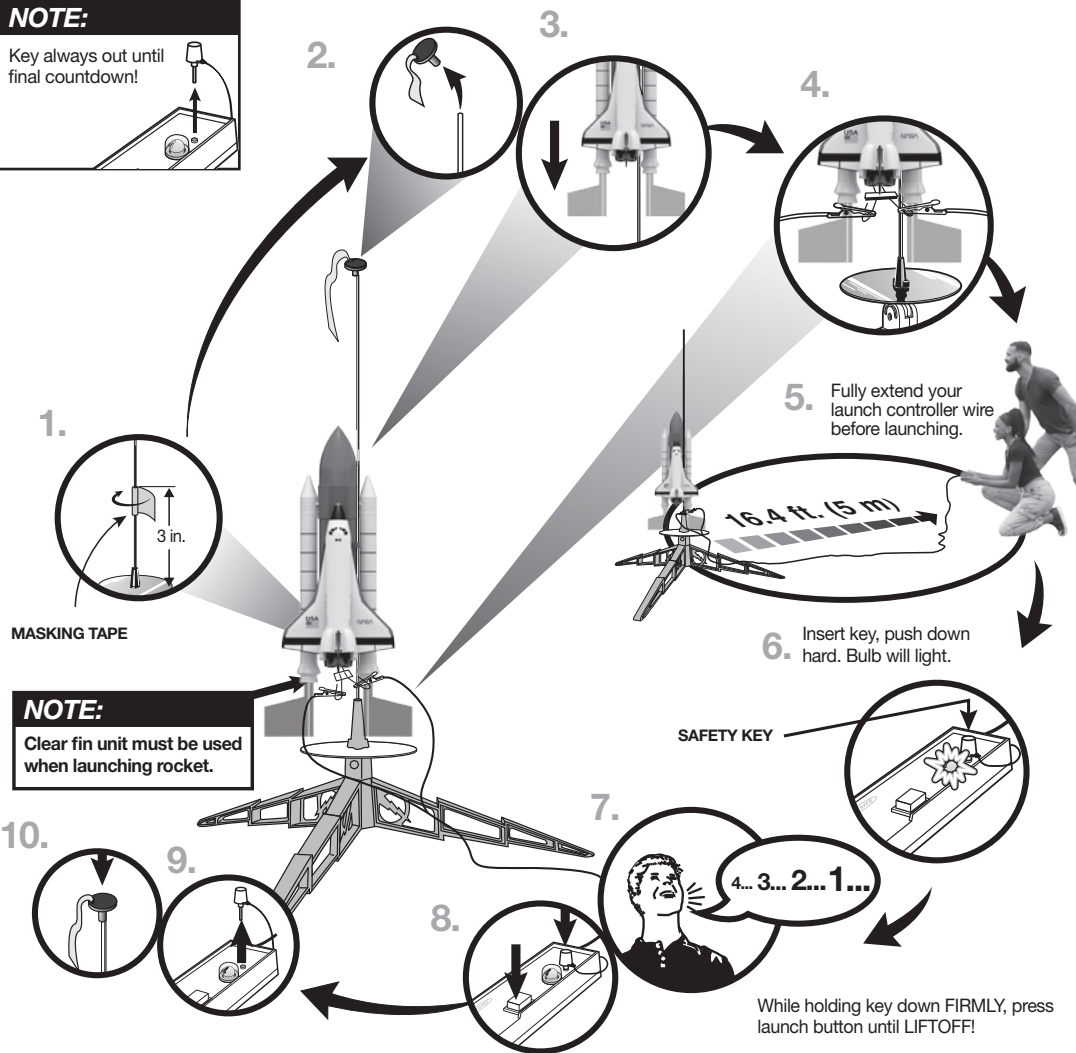


READY FOR LAUNCH

## COUNTDOWN AND LAUNCH

### NOTE:

Key always out until final countdown!



MASKING TAPE

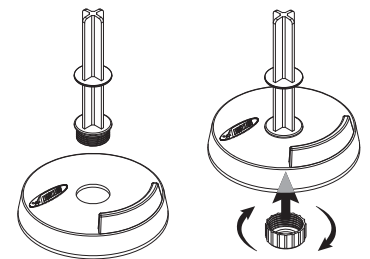
### NOTE:

Clear fin unit must be used when launching rocket.

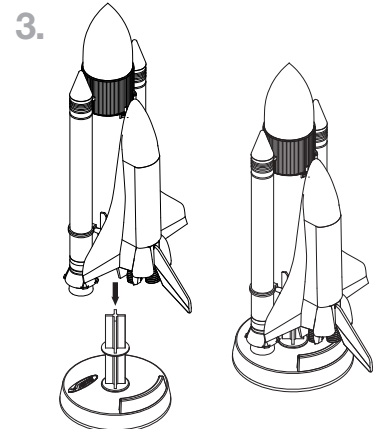
SAFETY KEY

## PREPARE DISPLAY STAND

1. Place support through the hole in the base.
2. Screw the retainer ring in place.



3.



### ESTES LAUNCH SUPPLIES NEEDED (Sold Separately)

- Launch Pad
- Launch Controller
- Recovery Wadding
- Starters (with engines)
- Plugs (with engines)
- Recommended Estes® Engine: C5-3 (first flight), C6-3

### NOTE:

Estimated weight: 3.6 oz. (103 g) w/ clear fin

## PRECAUTIONS



NAR SAFETY CODE



NO DRY GRASS OR WEEDS

**PRE-LAUNCH CHECK** For safety, never launch a damaged rocket. Check the rocket's body, nose cone and fins. Also, check the engine mount, recovery system and launch lug(s). Repair any damage before launching the rocket.

**FLYING YOUR ROCKET** Choose a large field (500 ft. [152 m] square) free of dry weeds and brown grass. The larger the launch area, the better your chance of recovering your rocket. Football fields and playgrounds are great. Launch only with little or no wind and good visibility. Always follow the National Association of Rocketry (NAR) SAFETY CODE.

**MISFIRES TAKE THE KEY OUT OF THE CONTROLLER. WAIT ONE MINUTE BEFORE GOING NEAR THE ROCKET.** Disconnect the micro-clips and remove the engine. Take the plug and starter out of the engine. A burned starter means the starter tip was not touching engine propellant. Install a new starter; be sure the tip is touching propellant inside the engine. Push the plug in place. Repeat steps under Countdown and Launch.

