

**:: Shocks**

1777 FT Blue Aluminum Shock Pivot Ball/Eyelet	4
1780 FT Blue Aluminum Shock Bushing, std	4
1781 FT Blue Aluminum Shock Bushing, short	4
5407 Red O-Rings	8
6299 1/8" E-Clips	12
6416 FT Shock Shaft Gold 1.32"	1
6417 FT Shock Shaft Gold 1.02"	1
6443 Bleeder Shock Caps 1/10 w/screws	4
6465 Shock Pistons, 4 each of #1,2, & 3	1
6466 Shock Down Stops, Set (14)	1
6469 Black Shock Cap O-Ring	4
6472 Shock Mount Nut	4
6475 Spring Cup	4
6925 4-40 x 1/2" SHCS	6
6926 4-40 x 5/8" SHCS	6
7476 V2 Threaded Shocks 1.02" Complete	2
7477 V2 Threaded Shock Bodies 1.02"	2
7482 V2 Threaded Shocks 1.39" Complete	2
7483 V2 Threaded Shock Bodies 1.39"	2
7484 V2 1/10th Shocks Rebuild Kit (rebuilds 4)	1
9645 2-56 x 1/8" bhcs	6



**:: Shock Springs**

1580 FT Truck Front Spring Kit. 1 pair of green, silver, blue, gold, and red front springs	1
1582 FT Truck Rear Spring Kit. 1 pair of green, silver, blue, gold, and red rear springs	1
6478 Rear Spring Silver 2.10 lb	Pr.
6480 Rear Spring Green 1.90 lb	Pr.
6481 Rear Spring Black 1.74 lb	Pr.
6482 Rear Spring Gray 2.33 lb (Kit)	Pr.
7425 Front Spring Gold 3.70 lb	Pr.
7426 Front Spring Black 2.765 lb	Pr.
7427 Front Spring Green 2.99 lb	Pr.
7428 Front Spring Silver 3.225 lb	Pr.
7429 Front Spring Blue 3.45 lb	Pr.
7430 Front Spring Red 3.90 lb (Kit)	Pr.
7434 Rear Spring Blue 2.55 lb	Pr.
7435 Rear Spring Gold 2.75 lb	Pr.
7436 Rear Spring Red 2.95 lb	Pr.



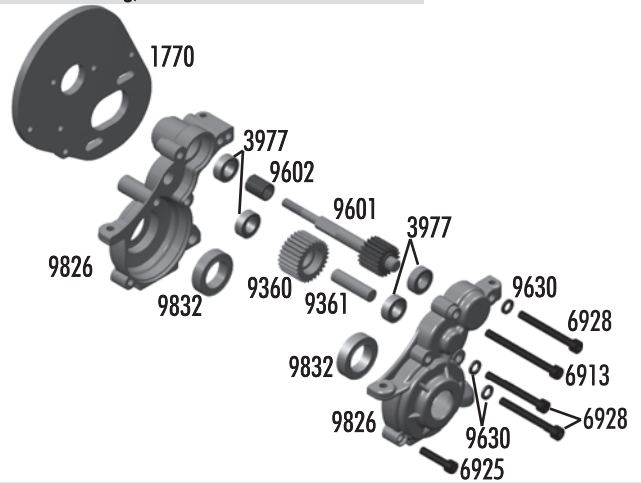
**:: Shock Oil**

5420 10 Weight Silicone Shock Oil	2oz.
5421 20 Weight Silicone Shock Oil	2oz.
5422 30 Weight Silicone Shock Oil	2oz.
5423 40 Weight Silicone Shock Oil	2oz.
5425 80 Weight Silicone Shock Oil	2oz.
5427 15 Weight Silicone Shock Oil	2oz.
5428 25 Weight Silicone Shock Oil	2oz.
5429 35 Weight Silicone Shock Oil	2oz.
5430 45 Weight Silicone Shock Oil	2oz.
5431 55 Weight Silicone Shock Oil	2oz.
5435 50 Weight Silicone Shock Oil	2oz.
5436 60 Weight Silicone Shock Oil	2oz.
5437 70 Weight Silicone Shock Oil	2oz.



**:: Transmission**

1770 FT Milled Motor Plate, blue	1
3977 Ball Bearing, 3/16" x 3/8"	2
6913 4-40 x 1 1/4" SHCS	6
6925 4-40 x 1/2" SHCS	6
6928 4-40 x 1" SHCS	6
9360 Idler Gear, molded	1
9361 Idler Gear Shaft	1
9601 B4/T4 Top Shaft	1
9602 B4/T4 Top Shaft Spacer	1
9630 Ball End Washer	10
9826 SC10 Transmission Case (left & right)	1
9832 Ball Bearing, 10 x 16mm	2

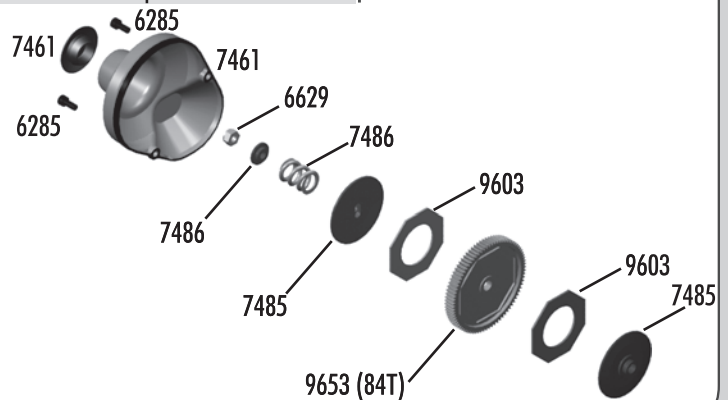


**:: Slipper Clutch**

6285 4-40 x 1/4 SHCS	12
6629 5-40 Locknuts	6
7460 Molded B4/T4 Gear Cover, black	1
7461 Molded B4/T4 Gear Cover, clear (Kit)	1
7485 V2 Slipper Hubs	2
7486 V2 Slipper Spring / Washer	1
9603 B4/T4 Slipper Pad	2
9650 75T 48P Spur Gear	1
9651 81T 48P Spur Gear	1
9652 78T 48P Spur Gear	1
9653 84T 48P Spur Gear (Kit)	1
9654 87T 48P Spur Gear	1

**:: Pinion**

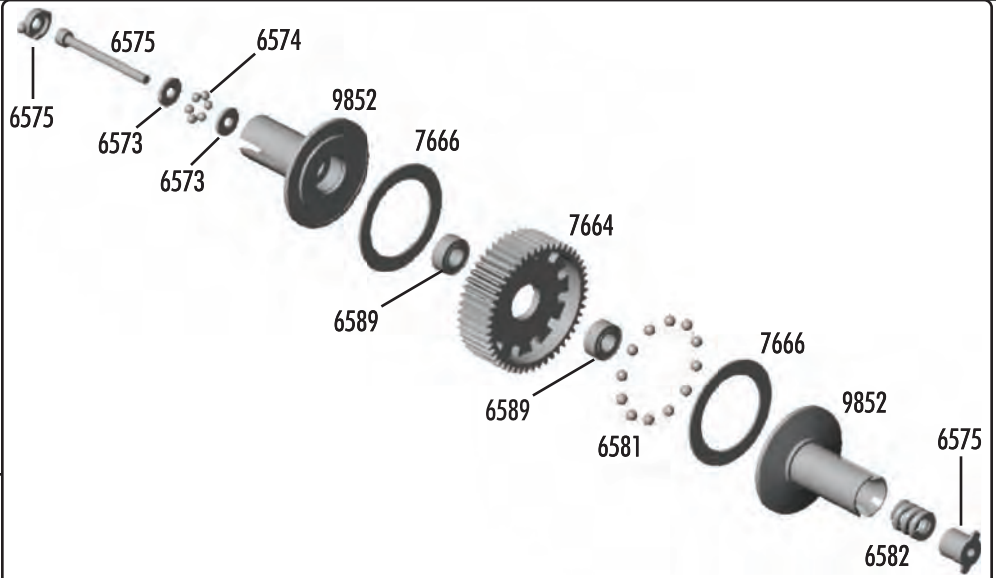
8252 15T 48P Pinion Gear	1
8253 16T 48P Pinion Gear	1
8254 17T 48P Pinion Gear	1
8255 18T 48P Pinion Gear	1
8256 19T 48P Pinion Gear	1
8257 20T 48P Pinion Gear	1
8258 21T 48P Pinion Gear	1
8259 22T 48P Pinion Gear	1
8260 23T 48P Pinion Gear	1
8261 24T 48P Pinion Gear	1
8262 25T 48P Pinion Gear	1
8263 26T 48P Pinion Gear	1



**:: Ball Differential**

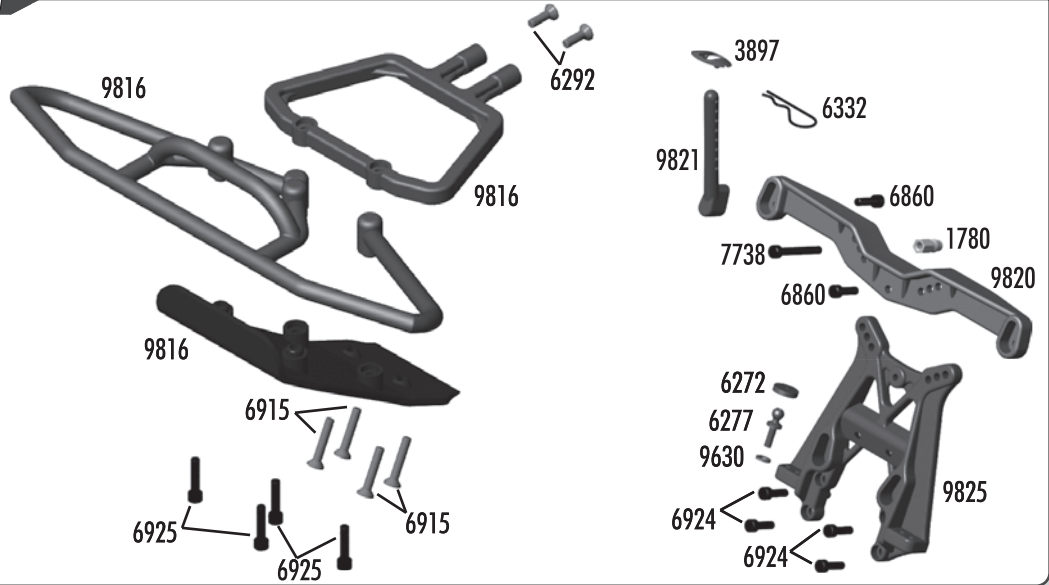
6573	Diff Thrust Washer & Bolt	2
6574	Precision Diff Thrust Balls, 5/64"	6
6575	Locking T-Nut, Diff Thrust Bolt, & Cover	1
6581	3/32" Carbide Diff Balls	12
6582	Diff Thrust Spring	1
6589	Ball Bearing, 5/32 x 5/16" unflanged	2
7664	Diff Gear 52T	1
7666	Diff Drive Rings, 2.60:1	2
7677	B4 / T4 / GT Diff Rebuild Kit	1
9852	SC10 Ball Diff Outdrives	1
9853	SC10 Complete Ball Differential	1

9853



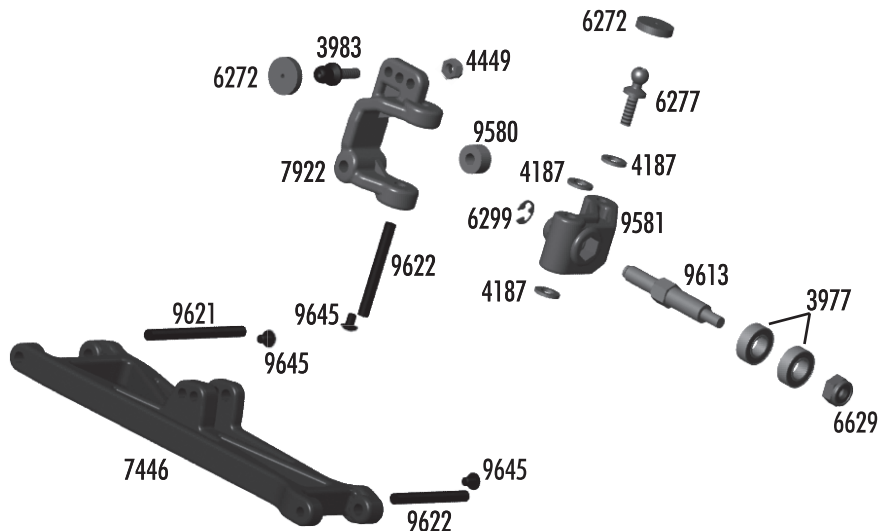
**:: Front Bumper / Shock Tower**

1780	FT Blue Aluminum Shock Bushing, std	4
3897	Pivoting Body Mounts, Set	1
6272	Foam Ballend Dust Covers	28
6277	Ballstud .30 Silver (short)	4
6292	4-40 x 3/8" FHCS	6
6332	Body Clips	6
6860	FT 4-40 x 3/8" SHCS, Blue Aluminum	6
6915	4-40 x 5/8" FHCS	6
6924	4-40 x 3/8" SHCS	6
6925	4-40 x 1/2" SHCS	6
7738	4-40 x 7/8" SHCS	6
9630	.030" Ballstud Washer	10
9816	SC10 Front Skid, Bumper Set	1
9820	SC10 Front Body Mount	1
9821	SC10 Front Body Posts, Set	1
9825	SC10 Front Shock Tower	1



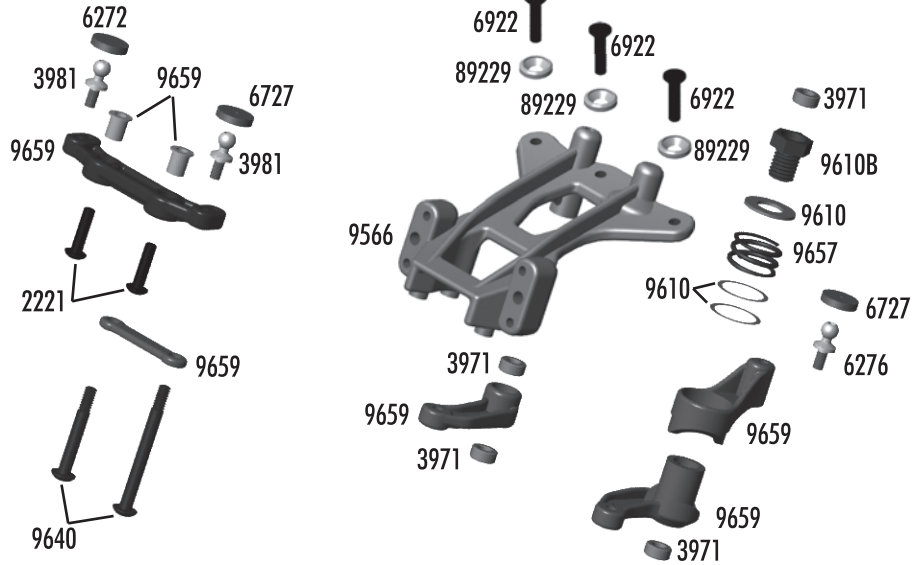
**:: Front Arms / Steering**

3977	Ball Bearing 3/16" x 3/8"	2
3983	Ballstud .30" Black (short)	6
4187	.030 Nylon Washers	12
4449	4-40 x 3/16" Aluminum Locknut	6
6272	Foam Ballend Dust Covers	28
6277	Ballstud .30 Silver (short)	4
6299	1/8" E-Clip	12
6629	5-40 Locknut	6
7446	T4 Front A-Arm (left & right)	Pr.
7922	30° Caster Blocks (left & right)	Pr.
9580	Caster Block Spacers, Set	1
9581	Trailing Steering Block	Pr.
9613	B4 Trailing Axle	2
9621	B4 Inner Hinge Pin Set	1
9622	B4 Outer Hinge Pin Set	1
9645	2-56 x 1/8" BHCS	8



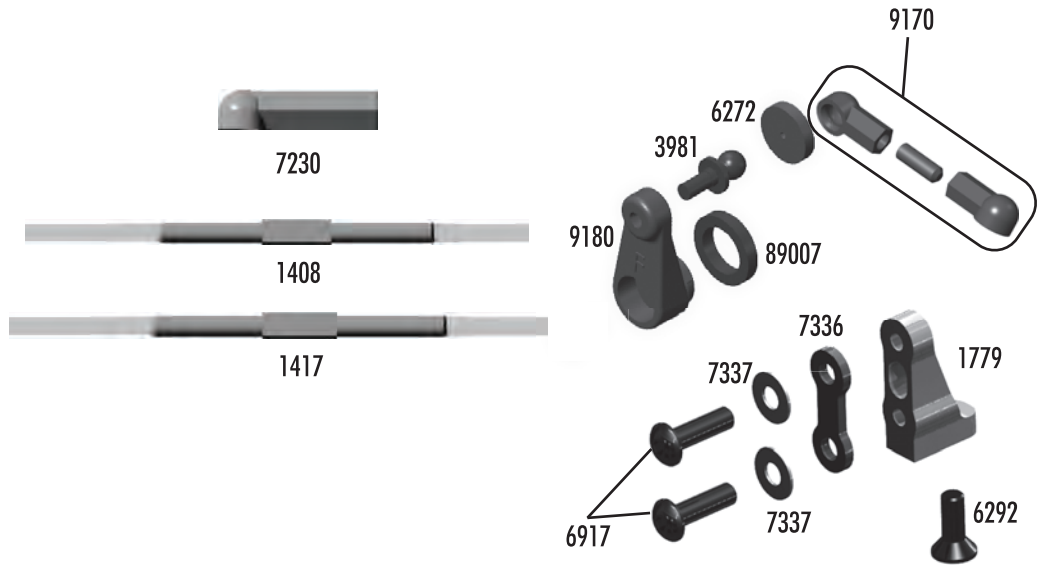
**:: Front Bulkhead**

2221	4-40 x 7/16" BHCS	6
3971	.125 x .250 x .109" Bearings	4
3981	Ballstud .20 Black, short	6
6272	Foam Ball end Dust Covers	28
6276	Ballstud .20" Silver (short)	6
6922	4-40 x 1/2" FHCS	6
9566	B4 / T4 Top Plate	1
9610	Servo Saver / Steering Hardware	1
9610B	Servo Saver Bolt, Blue	1
9640	B4 / T4 Steering Bolt, left & right	1
9657	B4 / T4 HD Servo Saver Spring	1
9659	B4 / T4 Steering Set. Includes Rack, Bellcrank, Servo Saver, Steering Brace	1
89229	Blue Countersunk Washers	10



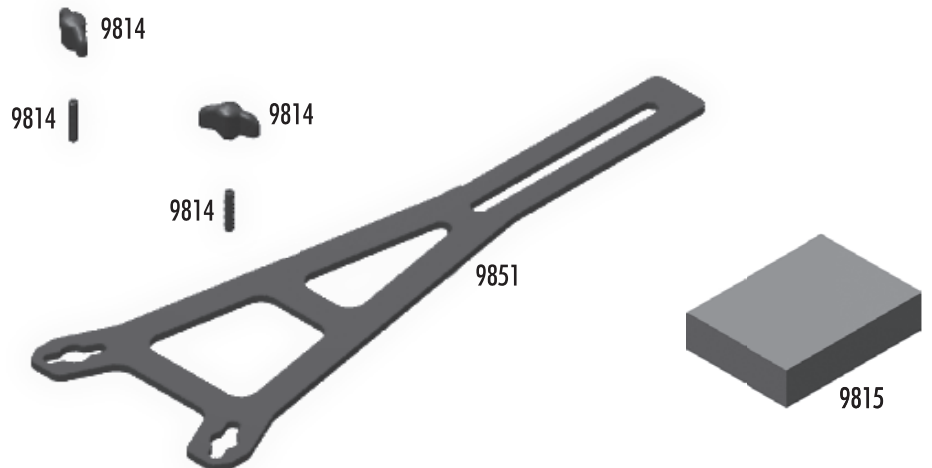
**:: Turnbuckles / Servo**

1408	FT Blue Titanium Turnbuckles, 2.65"	Pr.
1417	FT Blue Titanium Turnbuckles, 2.80"	Pr.
1779	FT Servo Mount, Blue Aluminum	Pr.
3981	Ballstud .20" Black (short)	6
6272	Foam Ballend Dust Cover	28
6292	4-40 x 3/8" FHCS	6
6917	4-40 x 3/8" BHCS	6
7230	Ballcups, large	12
7336	Servo Mount Set	1
7337	Gold Washer	4
9170	B4 / T4 Servo Link	1
9180	Servo Horns Set	1
89007	Steering Servo Ring	1



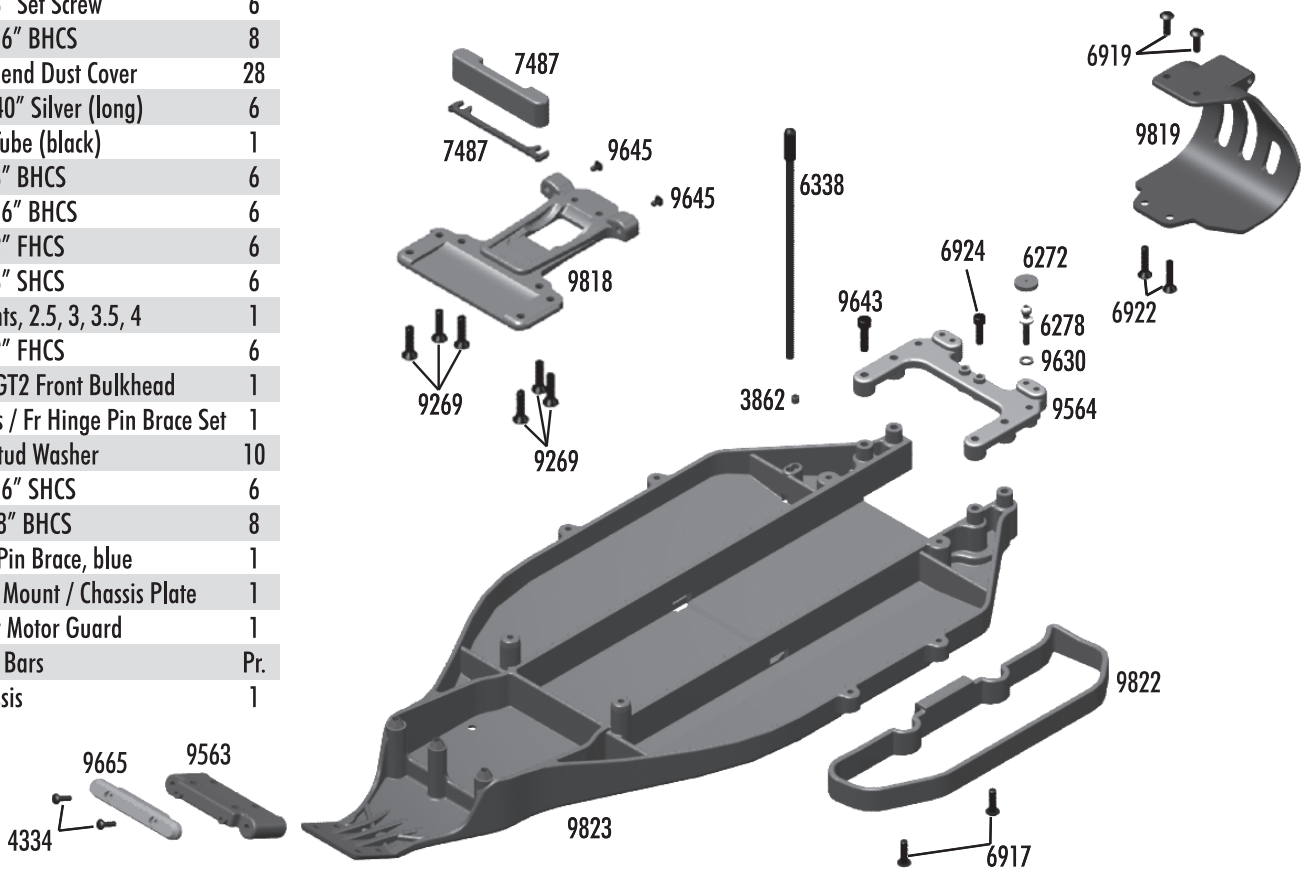
**:: Battery Strap**

9814	Battery Strap and Hardware	1
	Includes Battery Strap, Adhesive Foam, Thumb Knobs, Strap Pivots, & Hardware	
9815	SC10 Foam Battery Spacer	1
9851	SC10 Battery Strap, Carbon Fiber	1



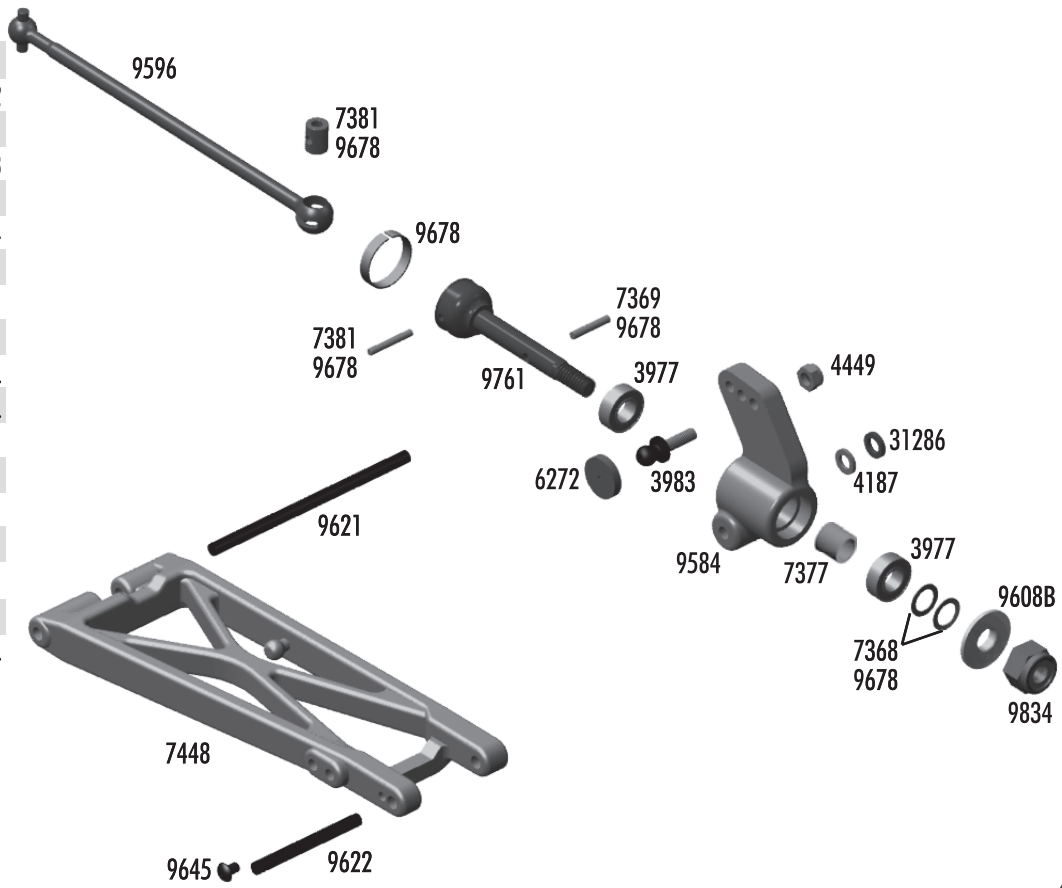
**:: Chassis**

3862	5-40 x 1/8" Set Screw	6
4334	2-56 x 5/16" BHCS	8
6272	Foam Ballend Dust Cover	28
6278	Ballstud .40" Silver (long)	6
6338	Antenna Tube (black)	1
6917	4-40 x 3/8" BHCS	6
6919	4-40 x 5/16" BHCS	6
6922	4-40 x 1/2" FHCS	6
6924	4-40 x 3/8" SHCS	6
7487	Arm Mounts, 2.5, 3, 3.5, 4	1
9269	5-40 x 1/2" FHCS	6
9563	B4 / T4 / GT2 Front Bulkhead	1
9564	RR Chassis / Fr Hinge Pin Brace Set	1
9630	.030 Ballstud Washer	10
9643	5-40 x 7/16" SHCS	6
9645	2-56 x 1/8" BHCS	8
9665	FT Hinge Pin Brace, blue	1
9818	SC10 Arm Mount / Chassis Plate	1
9819	SC10 Rear Motor Guard	1
9822	SC10 Nerf Bars	Pr.
9823	SC10 Chassis	1



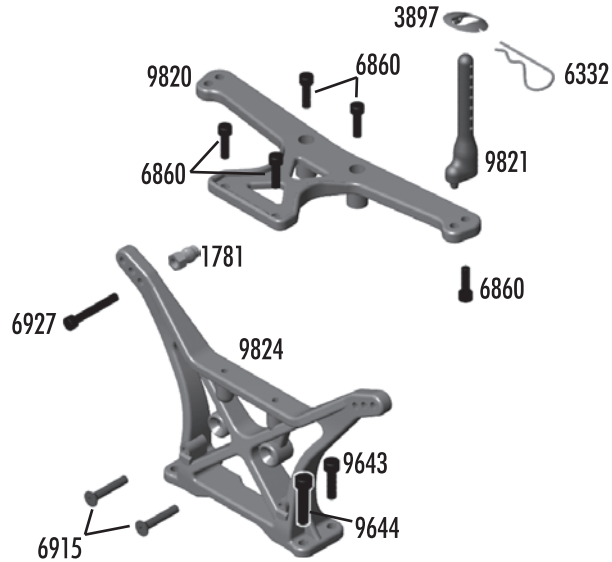
**:: Rear Arms / Hubs**

3977	Ball Bearing 3/16 x 3/8"	2
3983	Ballstud .30" Black (long)	6
4187	.030 Nylon Washers	12
4449	4-40 x 3/16" Aluminum Locknut	6
6272	Foam Ballend Dust Cover	28
6952	8-32 Steel Locknut (silver)	6
7368	3/16" Axle Shims	14
7369	1/16" Axle Roll Pins	4
7377	Axle Spacer Crush Tubes	2
7381	CVD Rebuild Kit (builds 2)	1
7448	SC10 / T4 Rear A-Arms	Pr.
9584	SC10 / T4 RR Hub Carrier (left & right)	Pr.
9596	SC10 / T4 CVA Bone, requires #9761	2
9608B	RR Axle Wheel Spacer (blue)	2
9621	Front and Rear Inner Hinge Pin Set	4
9622	Front and Rear Outer Hinge Pin Set	6
9645	2-56 x 1/8" BHCS	8
9678	SC10 / T4 CVA Set	1
9761	CVA Input Shaft, requires #9596	Pr.
31286	Aluminum Ballstud Washer Set	1



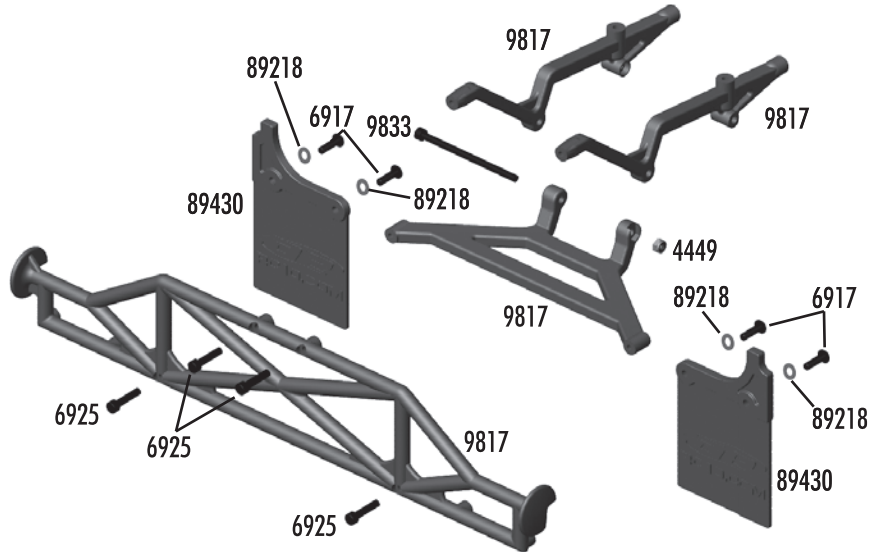
**:: Rear Shock Tower**

1781	FT Shock Bushings, Blue Aluminum, short	4
3897	Pivoting Body Mounts, Set	1
6332	Body Clips	6
6860	FT 4-40 x 3/8" SHCS, Blue Aluminum	6
6915	4-40 x 5/8" FHCS	6
6927	4-40 x 3/4" SHCS	6
9643	5-40 x 7/16" SHCS	6
9644	5-40 x 9/16" SHCS	6
9820	SC10 Body Mounts FR / RR	1
9821	SC10 Body Posts, Set	1
9824	T4 / SC10 Rear Shock Tower	1



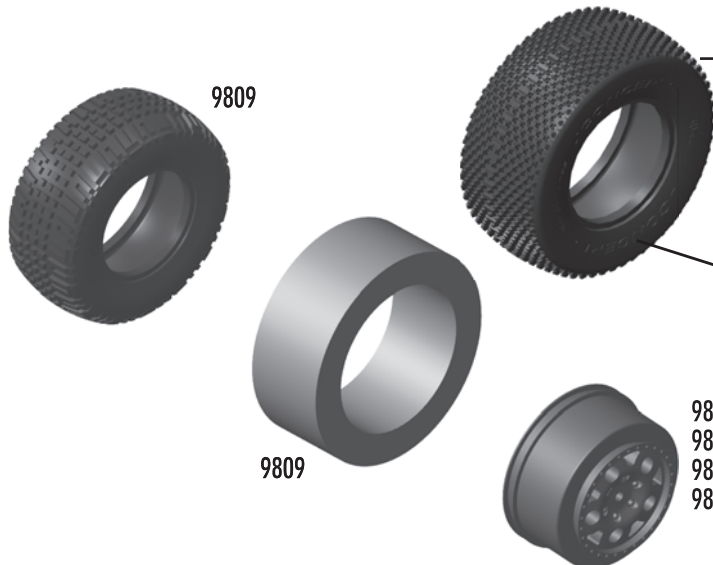
**:: Rear Bumper / Braces**

4449	4-40 x 3/16" Aluminum Locknut	5
6917	4-40 x 3/8" BHCS	6
6925	4-40 x 1/2" SHCS	6
9817	SC10 RR Bumper and Brace, Includes Bumper, Braces (left, right, upper, and lower),	1
9833	4-40 x 1 3/4" SHCS	6
89218	3x8mm washer	10
89430	Mud Flaps	Pr.



**:: Wheels / Tires**

9805	SC10 KMC Wheel FR (silver)	2
9806	SC10 KMC Wheel RR (silver)	2
9807	SC10 KMC Wheel FR (black) (Kit)	2
9808	SC10 KMC Wheel RR (black) (Kit)	2
9809	SC10 Tire with Foam Insert (Kit, front)	2
9810	SC10 Tire / Wheel FR (silver)	2
9811	SC10 Tire / Wheel RR (silver)	2
9812	SC10 Tire / Wheel FR (black)	2
9813	SC10 Tire / Wheel RR (black)	2



**!**  
 JConcepts Subculture tires are sold separately. Visit <http://www.jconcepts.net> for replacement tires and more Short Course options!

JConcepts  
 #3042  
 JConcepts Subculture tire, green compound (use on rear wheels)



**Front Wheel / Tire (back view)**



**Rear Wheel / Tire (back view)**

9805,  
 9806,  
 9807,  
 9808

**:: Factory Team and Option Parts**

1283	FT T4 Ti Turnbuckle Set	1
1408	FT Ti Turnbuckle, 2.65" (blue) for front steering	Pr.
1409	FT Ti Turnbuckle, 1" (sway bar) (blue)	Pr.
1417	FT Ti Turnbuckle, 2.80" (blue) for front / rear camber	Pr.
1585	FT B4 Aluminum Trailing Axle	Pr.
1598	FT Blue Aluminum Shock Caps, (blue) see also #6439	4
1654	FT Solid Axle Pins	4
1734	FT Blue Body Clip, 4 long, 6 short	10
1735	FT Blue Body Clip, long	4
1736	FT Blue Body Clip, short	6
1770	FT Milled Aluminum Motor Plate, (blue)	1
1777	Blue Aluminum Shock Ball Ends with Eyelets, Set	1
1778	FT Milled Aluminum Motor Plate, (black)	1
1779	FT Servo Mounts, blue aluminum	Pr.
1780	FT Blue Aluminum Threaded Shock Bushings	4
1781	FT Rear Shock Bushing (short)	4
1787	FT Battery Strap Thumbscrews, Set	1
3438	8-32 LP Locknuts (blue)	3
3971	Steering Rack Bearings	4
6416	Gold Shock Shaft, 1.32" stroke	1
6417	Gold Shock Shaft, 1.02" stroke	1
6439	FT Blue Aluminum Shock Caps, (blue) see also #1598	1
6443	Bleeder Shock Caps, 1/10	4
6463	Shock Pistons, Blank	8
6906	Ball Bearing, PTFE Sealed 3/16 x 3/8"	2
6937	FT 4-40 Aluminum Locknuts (blue)	6
6943	FT 8-32 Aluminum Locknuts (blue)	6
7381	CVD Rebuild Kit	1
7416	FT Threaded Shock Collar & O-Rings	Pr.
7447	T4 Front A-Arm, Carbon	Pr.
7449	T4 Rear A-Arm, Carbon	Pr.
7453	CVD Axle Bone T4 (black), , requires #9598	Pr.
7455	CVD Set T4	Pr.
7476	FT V2 1.02" Threaded Shocks Kit	Pr.
7477	FT V2 1.02" Threaded Shock Bodies	Pr.
7482	FT V2 1.39" Threaded Shocks Kit	Pr.
7483	FT V2 1.39" Threaded Shock Bodies	Pr.
7922	Caster Block 30 deg, (left & right) (Kit)	Pr.
7990	Aluminum Front Bulkhead (blue)	1
9565	B4 / T4 Chassis Brace, Hinge Pin Brace, Carbon	1
9567	B4 / T4 Top Plate, Carbon	1
9592	B4 / T4 Caster Block 20 deg, (left & right)	Pr.
9596	FT SC10 / T4 CVA Bones, requires #9761 (Kit)	Pr.
9598	CVD Axles T4, requires #7453	Pr.
9600B	FT B4 / T4 Aluminum Motor Plate (blue)	1
9608	RR Axle Wheel Spacer (silver)	Pr.
9610B	B4 / T4 Blue Servo Saver Bolt	1
9635	B4 / T4 Sway Bar Kit. Includes color coded bars, soft (black), med (silver), hard (gold)	1
9665	FT B4 / T4 Aluminum Hinge Pin Brace V2	1
9674	T4 Shiny CVD Dogbone, requires #9598	Pr.
9678	FT SC10 / T4 CVA Set	1
9761	CVA Input Shaft, requires #9596 (Kit)	Pr.

**:: Factory Team and Option Parts (cont.)**

9789	SC10 / B4 FT Titanium Front Axles, Set	1
9795	Ti Nitride Ballstuds 4-40 x .20 - long	Pr.
9796	Ti Nitride Ballstuds 4-40 x .30 - long	Pr.
9797	Ti Nitride Ballstuds 4-40 x .40 - long	Pr.
9798	Ti Nitride Ballstuds 4-40 x .20 - short	Pr.
9799	Ti Nitride Ballstuds 4-40 x .30 - short	Pr.
9851	SC10 Battery Strap, Carbon	1

**:: Lubes and Adhesives**

1105	Green Slime Shock Lube	4cc
1596	FT Locking Compound	10ml
1597	FT Tire Adhesive	.70oz
6588	Black Grease	4cc
6591	Diff Lube	4cc
6636	Silicone Lube	4cc
6727	Servo Tape Strips	2

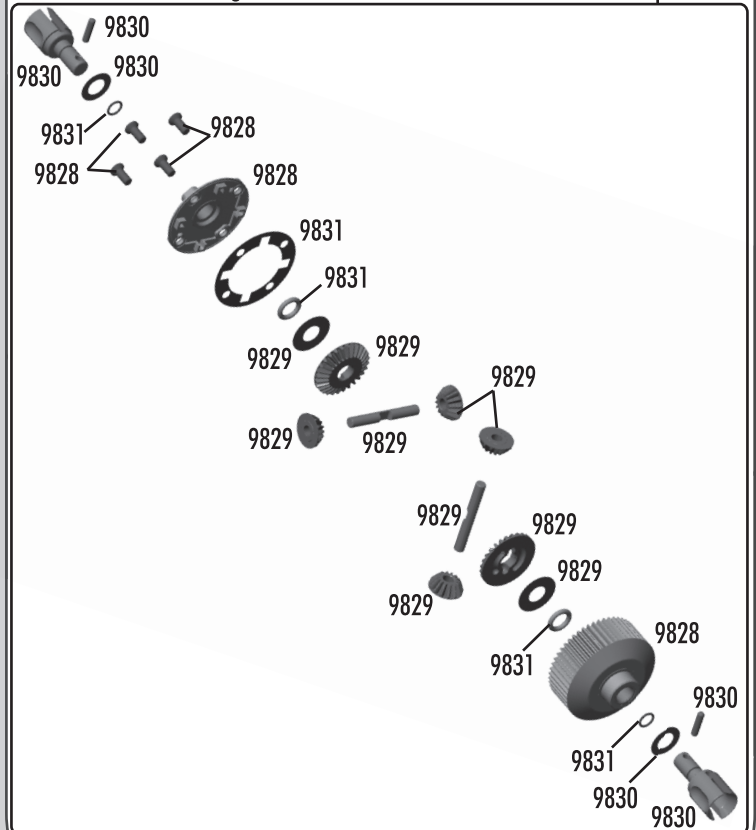


**:: Gear Diff Transmission Option**

5450	Silicone Diff Fluid 1000CST	1
5451	Silicone Diff Fluid 2000CST	1
5452	Silicone Diff Fluid 3000CST	1
5453	Silicone Diff Fluid 5000CST	1
5454	Silicone Diff Fluid 7000CST	1
5455	Silicone Diff Fluid 10000CST	1
9827	Complete Gear Diff	1
9828	Diff Gear and Cover	1
9829	Gear Diff Rebuild	1
9830	Gear Diff Outdrives, Set	1
9831	Gear Diff O-Ring Set	1



9827



**:: Electronics**

29107	1504 Servo Gear Set, Metal	1
29131	SHV1504 Servo	1
29132	SHV1504MG Servo	1
29140	XP SC200 ESC Forward / Reverse / Brake	1
29141	XP SC450BL Brushless ESC	1
29166	XP DS1313 Performance Digital Servo	1
29167	XP DS1015 Hi-Torque / Hi-Speed Digital Servo	1
29209	1313 Servo Gear Set	1
29210	1015 Servo Gear Set	1
29221	XP3-SS 2.4ghz Radio	1
29222	XP3-SS 2.4ghz Receiver	1

**:: Reedy Motors**

300	Stockstar 27-turn ROAR Stock	1
410	Flash 12-turn Modified	1
411	Flash 13-turn Modified	1
412	Flash 14-turn Modified	1
413	Flash 15-turn Modified	1
414	Flash 17-turn Modified	1
415	Flash 19-turn Modified	1
517	Challenger 19-turn ROAR Spec	1
916	540R Brushless Motor 3300kV	1
917	540R Brushless Motor 3900kV	1
918	540R Brushless Motor 4900kV	1
919	540R Brushless Motor 6100kV	1
936	XP/Reedy 3300kV Motor and ESC Combo 1/10th Scale	1
937	XP/Reedy 3900kV Motor and ESC Combo 1/10th Scale	1
938	XP/Reedy 4900kV Motor and ESC Combo 1/10th Scale	1
939	XP/Reedy 6100kV Motor and ESC Combo 1/10th Scale	1
9626	Reedy Radon 30,000 RPM	1

**:: Reedy Batteries and Chargers**

302	AA Alkaline 1.5V (4)	1
303	AA 2700mAh NiMH 1.2V Rechargeable	1
610	Reedy AC/DC 4-7 Cell NiMH/NiCd Charger	1
681	Wolfpack 2400mAh 7.2V w/DEANS® connector	1
682	Wolfpack 3000mAh 7.2V w/DEANS® connector	1
683	Wolfpack 3600mAh 7.2V w/DEANS® connector	1
684	Wolfpack 4200mAh 7.2V w/DEANS® connector	1
685	LiPo 5000mAh 7.4V 40C +	1
686	LiPo 4200mAh 7.4V 40C + SP	1
689	R-Power 1700mAh 7.2V w/TAM connector	1
693	Wolfpack 2400mAh 7.2V w/TAM connector	1
694	Wolfpack 3000mAh 7.2V w/TAM connector	1
695	Wolfpack 3600mAh 7.2V w/TAM connector	1
696	Wolfpack 2400mAh 7.2V w/TRA connector	1
697	Wolfpack 3000mAh 7.2V w/TRA connector	1
698	Wolfpack 3600mAh 7.2V w/TRA connector	1
699	Wolfpack 3600mAh 9.6V w/TRA connector	1
700	Wolfpack 4200mAh 7.2V w/TAM connector	1
703	LiPo 5000mAh Pro 7.4V 20C	1
704	LiPo 5000mAh 7.4V 20C w/TAM connector	1
709	LiPo 5000mAh 7.4V 35C ROAR Spec	1
711	LiPo 4900mAh 7.4V 35C EFRA Spec	1
712	LiPo 4200mAh 7.4V 35C SP EFRA Spec	1

**:: Reedy Batteries and Chargers (cont.)**

713	LiPo 2400mAh 7.4V 20C Stick	1
714	LiPo 3400mAh 7.4V 25C Stick	1
723	LiFe 4000mAh 6.6V 30C	1
724	Wolfpack 3000mAh 8.4V w/DEANS® connector	1
725	Wolfpack 3600mAh 8.4V w/DEANS® connector	1

**:: Reedy Accessories**

651	Battery Bars (8)	1
652	Battery Bars (30)	1
653	Battery Bars (100)	1
654	4.0mm plugs (2M, 2F)	1
655	4.0mm plugs (2M, 10F)	1
656	4.0mm plugs (10F)	1
657	4.0mm plugs (100F)	1
658	4.0mm plugs (10M)	1
659	4.0mm plugs (30M)	1
660	3.5mm plugs (3M, 3F)	1
661	3.5mm plugs (10F)	1
662	3.5mm plugs (100F)	1
663	3.5mm plugs (10M)	1
664	3.5mm plugs (30M)	1
665	Single Cell Shrink - Clear (12)	1
666	Single Cell Shrink - Clear (30)	1
667	Single Cell Shrink - Clear (100)	1
716	Reedy 09 Decal Set	1
718	LiPo Charging Sack	1

**:: LRP Speed Controls**

LRP8320	AI Super Reverse	1
LRP8325	AI Pro Reverse	1
LRP8337	AI Bullet Reverse	1
LRP80100	AI Brushless Reverse	1
LRP80150	AI Brushless Pro Reverse	1
LRP80400	SPX Brushless Super Reverse	1
LRP80900	SXX Competition Speed Control	1
LRP80910	SXX Stock-Spec	1
LRP80950	SXX TC-Spec Speed Control	1
LRP86500	NEXXT 4X ESC	1

**:: LRP Brushless Motors**

LRP50642	LRP X-12 9.5 Turn	1
LRP50652	LRP X-12 8.5 Turn	1
LRP50662	LRP X-12 7.5 Turn	1
LRP50672	LRP X-12 6.5 Turn	1
LRP50682	LRP X-12 5.5 Turn	1
LRP50687	LRP X-12 5.0 Turn	1
LRP50692	LRP X-12 4.5 Turn	1
LRP50702	LRP X-12 4.0 Turn	1
LRP50712	LRP X-12 3.5 Turn	1
LRP50722	LRP X-12 3.0 Turn	1
LRP50832	Vector X-12 Stock-Spec 10.5 Turn	1
LRP50842	Vector X-12 Stock Spec 13.5 Turn	1
LRP50852	Vector X-12 Stock Spec 17.5 Turn	1
LRP50862	Vector X-12 Stock Spec 21.5 Turn	1

**:: LRP Brushless Combo's**

LRP80585	AI Pro / X-11 Short Course Combo	1
LRP80640	SXX TC / X-12 3.0 Turn	1
LRP80641	SXX TC / X-12 3.5 Turn	1
LRP80642	SXX TC / X-12 4.0 Turn	1
LRP80643	SXX TC / X-12 4.5 Turn	1
LRP80644	SXX TC / X-12 5.0 Turn	1
LRP80645	SXX TC / X-12 5.5 Turn	1
LRP80646	SXX TC / X-12 6.5 Turn	1
LRP80647	SXX TC / X-12 7.5 Turn	1
LRP80648	SXX TC / X-12 8.5 Turn	1
LRP80649	SXX TC / X-12 9.5 Turn	1
LRP80654	SXX COMP / X-12 5.0 Turn	1
LRP80655	SXX COMP / X-12 5.5 Turn	1
LRP80656	SXX COMP / X-12 6.5 Turn	1
LRP80657	SXX COMP / X-12 7.5 Turn	1
LRP80658	SXX COMP / X-12 8.5 Turn	1
LRP80659	SXX COMP / X-12 9.5 Turn	1
LRP80673	SXX Stock-Spec / X-12 SS 10.5 turn	1
LRP80674	SXX Stock-Spec / X-12 SS 13.5 turn	1
LRP80675	SXX Stock-Spec / X-12 SS 17.5 turn	1

**:: LRP Misc.**

LRP50620	X-12 Replacement Ball Bearings	1
LRP50621	X-12 Optional Ceramic Ball Bearings	1
LRP50622	X-12 Small parts Set	1
LRP50623	X-12 PreciSensor Unit	1
LRP50624	X-12 Replacement alum. Front can	1
LRP50625	X-12 Lightweight Alum. Can	1
LRP50626	X-12 Alum Rear Cover	1
LRP50632	X-12 12.0mm sintered rotor	1
LRP50633	X-12 12.5mm sintered rotor	1
LRP50634	X-12 13.0mm sintered rotor	1
LRP50636	LRP Works 12.0mm X-12 Sintered Rotor	1
LRP50637	LRP Works 12.5mm X-12 Sintered Rotor	1
LRP50638	LRP Works 13.0mm X-12 Sintered Rotor	1
LRP80135	BEC Stabilizing Capacitor	1
LRP819307	70mm High Flex Sensor Wire	1
LRP819310	100mm High Flex Sensor Wire	1
LRP819315	150mm High Flex Sensor Wire	1
LRP819320	200mm High Flex Sensor Wire	1
LRP82520	Radical Cooling Set	1
LRP82511	SXX Low Pro Fan	1

**:: LRP Chargers, Power Supply, Balancer, Iron**

LRP41552	Pulsar Competition 3 Charger	1
LRP43150	Power Supply Competition	1
LRP45200	LiPo Parallel Balancer	1
LRP65800	High Power Solder Station	1
LRP65802	Soldering Tip 5mm	1
LRP65803	Soldering Tip 1.2mm	1
LRP65804	Soldering Handle	1

**:: Bodies and Decals**

9836	SC10 Clear Body	1
9837	SC10 '09 Clear Body (Kit)	1
9838	SC10 KMC Body, pre-painted & detailed	1
9839	SC10 Lucas Oil Body, pre-painted & detailed	1
9840	SC10 Bully Dog Body, pre-painted & detailed	1
9841	SC10 Pro Comp Body, pre-painted & detailed	1
9842	SC10 AE Body, pre-painted & detailed	1
9843	SC10 KMC Decal Sheet	1
9844	SC10 Lucas Oil Decal Sheet	1
9845	SC10 Bully Dog Decal Sheet	1
9846	SC10 Pro Comp Decal Sheet	1
9847	SC10 AE Decal Sheet	1
9848	SC10 Ready Lift Body, pre-painted & detailed	1
9849	SC10 Ready Lift Decal Sheet	1
9850	SC10 Number Plate & Decals	1
9856	SC10 '09 Lucas Oil Body, pre-painted & detailed	1
9857	SC10 '09 Lucas Oil Decal Sheet	1
9858	SC10 '09 Pro Comp Body, pre-painted & detailed	1
9859	SC10 '09 Pro Comp Decal Sheet	1
9860	SC10 '09 Speed Tech Body, pre-painted & detailed	1
9861	SC10 '09 Speed Tech Decal Sheet	1
9862	SC10 '09 Rockstar / Makita Body, pre-painted & detailed	1
9863	SC10 '09 Rockstar / Makita Decal Sheet	1

**:: 1/18 Kits and RTR's**

20100	RC18T RTR (ready-to-run)	1
20101	RC18T2 2.4ghz RTR (ready-to-run)	1
20103	RC18B2 - RC18T2 Team Kit	1
20105	RC18B RTR (ready-to-run)	1
20106	RC18B2 2.4ghz RTR (ready-to-run)	1
20110	RC18MT RTR (ready-to-run)	1
20115	RC18R Kamino RTR (ready-to-run)	1
20118	RC18R Niteline RTR (ready-to-run)	1
20120	SC18 RTR (ready-to-run)	1
20130	RC18LM RTR (ready-to-run)	1

**:: 1/12, 1/10 Kits and RTR's**

2033	FT Nitro TC3 Kit	1
2042	Nitro TC3 RTR Plus (ready-to-run)	1
4019	FT 12R5.1 Kit	1
7020	RC10T4 Team Truck Kit	1
7022	FT RC10T4 Team Truck Kit	1
7027	SC10 2WD Short Course Race Truck Kit	1
7029	SC10 Associated/RC10.com Race Truck RTR (ready-to-run)	1
7030	SC10 KMC Wheels Race Truck RTR (ready-to-run)	1
7032	SC10 Ready Lift RTR (ready-to-run)	1
7036	RC10T4.1 RTR 2.4GHz Brushed (ready-to-run)	1
7037	RC10T4.1 RTR 2.4GHz Brushless (ready-to-run)	1
7040	SC10 RTR, 2.4ghz Brushless Lucas Oil Body	1
7041	SC10 RTR, 2.4ghz Brushless Speed Tech / Bully Dog Body	1
7043	SC10 RTR, 2.4ghz Brushless Pro Comp Body	1
7044	SC10 RTR, 2.4ghz Brushless Rockstar Body	1
7080	FT GT2 Nitro Truck Kit	1
7092	GT2 RS Truck Nitro RTR (ready-to-run)	1



**:: 1/12, 1/10 Kits and RTR's (cont.)**

8020	FT RC10R5 Kit	1
8021	FT RC10R5-OVAL Kit	1
9034	RC10B4 Buggy Team Kit	1
9035	FT RC10B4 Buggy Kit	1
9038	RC10B4.1 RTR 2.4GHz Brushed (ready-to-run)	1
9039	RC10B4.1 RTR 2.4GHz Brushless (ready-to-run)	1
9060	FT B44 4WD Buggy Kit	1
20515	MGT 3.0 Nitro Monster Truck RTR (ready-to-run)	1
30105	FT TC5R Rubber Tire Edition 4WD Touring Car Kit	1
30111	TC4 4WD Touring Car RTR (ready-to-run)	1

**:: 1/8 Kits and RTR's**

20503	Limited Edition MGT 4.60 Nitro RTR, with flag body (ready-to-run)	1
20504	Limited Edition MGT 8.0 Nitro RTR, with flag body (ready-to-run)	1
80901	RC8e 4WD Electric Buggy Kit	1
80901-25	RC8e / SPX8 / Vector 8 2500Kv Combo	1
80901-28	RC8e / SPX8 / Vector 8 2800Kv Combo	1
80902	FT RC8B Nitro Buggy Kit	1
80904	FT RC8Be Electric Buggy Kit	1
80905	RC8RS "Race Spec" Nitro Buggy RTR (ready-to-run)	1
80911	RC8Te 4WD Electric Tuggy Kit	1
80911-25	RC8Te / SPX8 / Vector 8 2500Kv Combo	1
80911-28	RC8Te / SPX8 / Vector 8 2800Kv Combo	1
80912	RC8T Championship Edition	1
80915	RC8T-RS "Race Spec" Nitro Truggy RTR (ready-to-run)	1
80920	SC8 Short Course Race Truck, Red Bull Nitro RTR (ready-to-run)	1
80921	SC8 Short Course Race Truck, Lucas Oil Nitro RTR (ready-to-run)	1
80922	SC8 Short Course Race Truck, KMC Wheels Nitro RTR (ready-to-run)	1
80923	SC8 Short Course Race Truck, Bully Dog Nitro RTR (ready-to-run)	1
80924	SC8 Short Course Race Truck, AE Team Nitro RTR (ready-to-run)	1
80925	SC8 Short Course Race Truck, Pro Comp Nitro RTR (ready-to-run)	1
80931	SC8e 4WD Electric Short Course Race Truck, Kit	1
80931-25	SC8e / SPX8 / Vector 8 2500Kv Combo	1
80931-28	SC8e / SPX8 / Vector 8 2800Kv Combo	1

Check out [www.TeamAssociated.com](http://www.TeamAssociated.com) - [www.RC10.com](http://www.RC10.com) for the latest kits, RTRs, and option parts for your SC10 and other Associated vehicles!

**:: Apparel**

SP35**	Reedy 09' White T-Shirt (M, L, XL, XXL, XXXL)	1
SP36**	Reedy 09' Black T-Shirt (M, L, XL, XXL, XXXL)	1
SP58**	AE Logo Black T-Shirt (M, L, XL, XXL)	1
SP59**	AE Logo Blue T-Shirt (M, L, XL, XXL)	1
SP60**	AE Hooded Sweatshirt (S, M, L, XL, XXL)	1
SP61**	AE Vertigo Hooded Sweatshirt (S, M, L, XL, XXL)	1
SP62**	AE Vertigo Long Sleeve T-Shirt (S, M, L, XL, XXL)	1
SP63**	AE Vertigo White T-Shirt (S, M, L, XL, XXL)	1
SP64**	AE Vertigo Blue T-Shirt (S, M, L, XL, XXL)	1
SP65**	AE Vertigo Black T-Shirt (S, M, L, XL, XXL)	1
SP100	1/8 Inner and Outer Boxes Only, Set	1
SP101	1/8 Inner Boxes Only, Set	1
SP102	1/10 Inner and Outer Boxes Only, Set	1
SP103	1/10 Inner Boxes Only, Set	1
SP410**	AE Hats Black (S-M, L-XL, XXL-XXXL)	1
SP415	1/8 Car Carrier Bag Only	1

**:: Tools**

SP416	1/10 Car Carrier Bag Only	1
SP417	1/10 FT Motor Bag	1
SP418	1/10 FT Car Carrier Bag with Boxes, Set	1
SP420**	AE Pit Gloves (M, L, XL)	Pr.
715	Reedy 2009 Track Banner	1
110684	Team Associated Track Banner	1

\*\* Use part number plus the desired size when ordering!

**:: Tools**

1111	FT Turnbuckle Wrench	1
1449	Offroad Ride Height Gauge	1
1450	FT Ride Height Gauge	1
1541	FT Hex Driver Set, (7 pcs)	1
1542	FT .050" Silver Hex Driver	1
1543	FT 1/16" Black Hex Driver	1
1544	FT 1.5mm Purple Hex Driver	1
1545	FT 5/64" Blue Hex Driver	1
1546	FT 3/32" Gold Hex Driver	1
1547	FT 2.5mm Green Hex Driver	1
1548	FT 3mm Red Hex Driver	1
1551	FT Screwdriver Set	1
1553	FT Phillips Silver Screwdriver	1
1554	FT Silver Spring Hook Tool	1
1561	FT Nut Driver Set, (6 pcs)	1
1562	FT 3/16" Black Nut Driver	1
1563	FT 1/4" Red Nut Driver	1
1564	FT 5.5mm Red Nut Driver	1
1565	FT 11/32" Green Nut Driver	1
1566	FT 7.7mm Silver Nut Driver	1
1567	FT 8mm Gold Nut Driver	1
1589	FT 5/64" Blue Ball Hex Driver	1
1590	FT 3/32" Gold Ball Hex Driver	1
1592	FT Ball Hex Driver Set, (3 pcs)	1
1719	FT Camber + Track Width Tool	1
1737	FT Body Scissors	1
3718	12 Inch Nylon Wire Ties	12
3719	6 Inch Nylon Wire Ties	12
3720	8 Inch Nylon Wire Ties	12
3987	FT Droop Gauge	1
6429	Shock Building Tool	1
6956	Molded Tools, Set	1
7709	4 Inch Nylon Wire Ties	12



Associated Electrics, Inc.  
26021 Commercentre Drive  
Lake Forest, CA 92630-8853

call: (949) 544-7500 - fax: (949) 544-7501

Check out the following web sites for all of our electric kits, current products, new releases, setup help, tips, and racing info!  
[www.TeamAssociated.com](http://www.TeamAssociated.com) - [www.RC10.com](http://www.RC10.com)

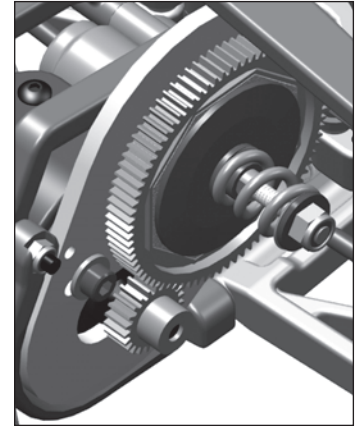
## :: Adjustments / Tips

### Motor Gearing:

Proper motor gearing will result in maximum performance and run time while reducing the chance of overheating and premature motor failure. The gear ratio chart lists recommended starting gear ratios for the most widely used motor types. Gear ratios will vary depending upon motor brand, wind, and electronic speed control. Consult your motor and electronic speed control manufacturers for more information.

SC10 Gear Ratio Chart

MOTOR	Pinion	Spur	FDR
27T Stock Motor	19	87	11.91:1
19T Super Stock Motor	19	87	11.91:1
17.5 Brushless Motor	28	75	6.96:1
13.5 Brushless Motor	21	84	10.40:1
10.5 Brushless Motor	19	84	11.49:1
9.5 Brushless Motor	18	84	12.13:1
8.5 Brushless Motor	17	84	12.85:1
3300kV Brushless Motor	18	84	12.13:1



### Set The Gear Mesh

You should be able to rock the spur gear back and forth in the teeth of the pinion gear without making the pinion gear move. If the spur gear mesh is tight, then loosen the #31531 screws and move the motor away, then try again. A gear mesh that is too tight or too loose will reduce power and damage the gear teeth.

## MAINTENANCE

### Check For Fit

Periodically check all moving suspension parts. Suspension components must be kept clean and move freely without binding to prevent poor and/or inconsistent handling.

### Motor Maintenance

Brushed motors require frequent maintenance to keep performance levels at their maximum. Between runs and after letting the motor cool completely, inspect the brushes to ensure that they are moving freely in their holders. Remove the springs and slide the brushes in and out of their holders checking for any resistance or rough spots. If found, remove the brush and carefully wipe it clean. Removing buildup will allow the brush to slide freely and create maximum contact with the commutator resulting in maximum power output.

After every 3-5 runs, remove the brushes from their holders and inspect the tips for wear or burning. If there is noticeable wear (less than 75% of the brush remaining), it is best to cut the commutator and replace the brushes with a new pair. If the tips become a burned blue color, the lubricant in the brush has been burned away and new brushes should be installed.

Occasionally, the motor should be cleaned with a soft brush to prevent dirt build up around the brush hood area and ball bearings. At this time, it is a good idea to add one drop of bushing/bearing oil to each bushing or ball bearing.

If using a brushless motor, please refer to the motor manufacturer's guidelines for proper maintenance.

### Slipper Clutch

The assembly instructions give you a base setting for your clutch. Turn the nut on the shaft so that the end of the top shaft is even with the outside of the nut. Tighten the nut until the shaft extends thru the nut by 0.5mm. At the track, tighten or loosen the nut in 1/8 turn increments until you hear a faint slipping sound for 1-2 feet on takeoffs.

Another popular way to set the clutch is to hold both rear tires firmly in place and apply short bursts of throttle. If the clutch is properly set, the front tires should lift slightly up off the surface.

## :: Adjustments / Tips

### Front Camber Links

Changing the length of the camber link is considered a bigger step than adjusting the ball end height on the tower. Shortening the camber link (or lowering the ball end) will give the front end less roll and quicken steering response. Lengthening the camber link (or raising the ball end) will give the front more roll and slower steering response.

Longer camber links are typically used on high grip tracks and shorter links tend to work better on medium-grip loose tracks.

### Caster

Caster describes the angle of the kingpin as it leans toward the rear of the vehicle. Positive caster means the kingpin leans rearward at the top. The supplied 30° caster blocks (#7922) are recommended in most cases. For less corner entry steering and more exit steering, try the optional 25° blocks (#7919).

### Front Camber

Camber describes the angle at which the tire and wheel rides when looked at from the front. Negative camber means that the tire leans inward at the top.

A good starting camber setting is -1°. Use the included #1719 camber gauge to set your camber. Positive camber, where the top of the tire is leaning out, is not recommended.



\* Raise or lower the ball end by adding or subtracting washers here



\* Testing camber with camber gauge

### Rear Camber Link

Changing the length of the camber link is considered a bigger step than adjusting the ball end height on the rear chassis brace. Shortening the camber link (or lowering the ball end) will give the rear end less roll and the car will tend to accelerate or "square up" better. Lengthening the camber link (or raising the ball end) will give the rear more roll and more cornering grip. Longer camber links are typically used on high grip tracks, while shorter links tend to work better on med-grip loose tracks. The kit setting is the best compromise of cornering grip and acceleration.



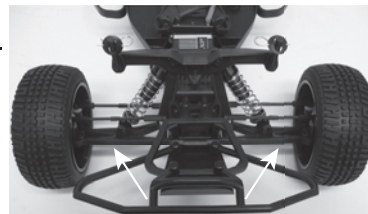
\* Raise or lower the ball end by adding or subtracting washers here

### Rear Camber

Camber describes the angle at which the tire and wheel rides when looked at from the back. Negative camber means that the tire leans inward at the top. A good starting camber setting is -1°. Use the included #1719 camber gauge to set your camber. Adding a small amount of positive camber, where the top of the tire is leaning out, will tend to improve straight-line acceleration on loose tracks.

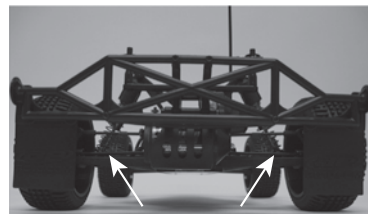
### Ride Height

Ride height is the distance from the ground to the bottom of the chassis. The standard front ride height setting is with the front arms level (referred to as "arms level"). Check the ride height by lifting up the entire car about 8-12 inches off the bench and drop it. After the suspension "settles" into place, add or remove pre-load clips so that the left & right arms appear to be level.



\* Front arms should be in a straight line when ride height is set at "arms level"

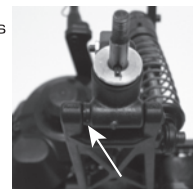
The rear ride height setting you should use most often is with the outdrive, driveshaft, and axles all on the same imaginary horizontal line (referred to as "bones level"). Check the ride height by lifting up the entire car about 8-12 inches off the bench and drop it. After the suspension "settles" into place, add or remove pre-load clips so that the left & right driveshafts appear to be level.



\* Dogbones should be in a straight line when ride height is set at "dogbones level"

### Wheelbase Adjustment

You have three options for rear hub spacing, Forward, Middle, & Back. The kit setting provides the most rear traction, and will be used most often. A short wheelbase will make the rear end more responsive.



\* Spacers to the rear will place hubs forward, shortening the wheelbase

### Anti-Roll bar

The optional #9635 rear anti-roll bar kit (also called the "swaybar") allows you to add roll resistance to the rear end with minimal effect on handling over bumps and jumps. It is an especially helpful tuning item on high-grip tracks (try the gold bar). The silver and black anti-roll bars are typically used on medium-grip loose tracks.

# SC10

:: Driver: SC10 FT Standard Setup    :: Date: \_\_\_\_\_  
:: Track: \_\_\_\_\_  
:: Event: \_\_\_\_\_

Setup Sheet for Team Associated's SC10

Rev. 2

## :: Front End

camber: -1  
toe: 0 deg

washers: 1

ride height: arms level

bump steer spacer: 2

axle height: up  middle  down

caster: 20°  25°  30°

## :: Rear End

camber: 0  
anti-squat: 2 deg  
toe: 3 deg

washers: 1

ride height: bones level

wheel base: long  medium  short

anti-roll bar: none  black (soft)  silver (med)  gold (hard)

near hub carriers: std 0°  0.5°  1°  1.5°

## :: Front Shocks

spring: red    piston: #3  
shock oil: 30wt    limiter: 7 thin

## :: Rear Shocks

spring: Gray    piston: #1  
shock oil: 30wt    limiter: 2 thin

## :: Electronics

motor & wind: not included  
pinion: not included  
spur gear: 84  
batteries: not included  
battery placement: back, cut foam block

radio: not included  
throttle / brake epa: \_\_\_\_\_  
throttle / brake expo: \_\_\_\_\_  
esc: not included    throttle profile: \_\_\_\_\_  
initial brake: \_\_\_\_\_    drag brake: \_\_\_\_\_  
servo: \_\_\_\_\_    steering expo: \_\_\_\_\_

## :: Other

body: SC10 09'  
notes: \_\_\_\_\_

## :: Gear Differential / Ball Differential

gear diff fluid:  \_\_\_\_\_  
ball diff settings:  0.5mm

## :: Front Tires

tire: standard  
compound: standard  
insert: standard  
wheel: KMC - Black

## :: Rear Tires

tire: JConcepts Subcultures  
compound: green  
insert: standard  
wheel: KMC - Black

## :: Race and Vehicle Comments

qualify: \_\_\_\_\_ main: \_\_\_\_\_ finish: \_\_\_\_\_ tq:

comments: \_\_\_\_\_  
\_\_\_\_\_  
\_\_\_\_\_

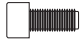











## :: Track Info

smooth:  bumpy:  blue groove:   
traction:  high  med.  low  
soft dirt:  grass:  clay:  wet:   
dusty:  other: \_\_\_\_\_  
\_\_\_\_\_  
\_\_\_\_\_

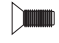




:: For more setups, visit [www.RC10.com](http://www.RC10.com) and click on 'Racing'

:: Hardware - 1:1







socket head (shcs)

-  4-40 x 1/4 (6285)  
[FT blue aluminum, 6284]
-  4-40 x 3/8 (6924)  
[FT blue aluminum, 6860]
-  4-40 x 1/2 (6925)
-  4-40 x 5/8 (6926)  
[FT blue aluminum, 7801]
-  4-40 x 3/4 (6927)
-  4-40 x 7/8 (7738)
-  4-40 x 1 (6928)  
[FT blue aluminum, 6935]
-  4-40 x 1 1/4 (6913)
-  4-40 x 1 3/4 (9833)
-  5-40 x 7/16 (9643)
-  5-40 x 9/16 (9644)
-  5-40 x 3/4 (9835)



flat head (fhcs)

-  2.5x6mm (4675)
-  4-40 x 3/8 (6292)
-  4-40 x 1/2 (6922)  
[FT blue aluminum, 8409]
-  4-40 x 5/8 (6915)
-  5-40 x 1/2 (9269)



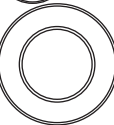
button head (bhcs)

-  2-56 x 1/8 (9645)
-  2-56 x 5/16 (4334)
-  4-40 x 5/16 (6919)  
[FT blue aluminum, 6946]
-  4-40 x 3/8 (6917)  
[FT blue aluminum, 6947]
-  4-40 x 7/16 (2221)
-  3x6mm (31531)

setscrews

-  4-40 x 1/2 (9170)
-  5-40 x 1/8 (3862)






ball bearings

-  .125x.250x.109 bearing (3971)
-  3/16" x 3/8" ball bearing (3977)  
[PTFE bearing, 6906]
-  10 x 16mm ball bearing (9832)

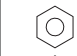






shims & washers





-  ballstud washer (9630)
-  .03 nylon washer (4187)
-  gold washer (7337)
-  3/16 axle shim (7368)
-  #4 aluminum washer (6936)
-  5 x 9.5mm shim (9830)  
gear diff outdrives
-  servo saver shim (9610)  
servo saver hardware (lower)
-  servo saver shim (9610)  
servo saver hardware (upper)
-  5 x 14mm shim (9829)  
diff rebuild

ballstuds

-  black .20" (3981)
-  black .30" (3983)
-  silver .20" (6276)
-  silver .30" (6277)
-  silver .40" (6278)  
[Ti Nitride .40", 9797]

nuts (lock/plain)

-  4-40 small plain nut (7260)
-  3/16 aluminum locking nut (4449)
-  shock mount nut (6472)
-  4-40 nut (6295)
-  5-40 lock nut (6629)
-  8-32 aluminum lock nut (9834)
-  8-32 steel lock nut (6952)

Servo Chart	STEERING SERVO TYPE	#7336 SPACER	#9180 SERVO ARM		
<b>1 FIND YOUR SERVO TYPE</b> 	<b>1</b> (Steering servo is sold separately) <b>NOT ALL SERVOS ARE LISTED</b>	<b>2</b> 	<b>3</b> 		
	<b>Associated Electrics / XP</b> AE SHV1504MG, DS1015, DS1313 <b>Airtronics</b> 94102 <b>Airtronics</b> 94738, 94157, 94158, 94257, 94258, 94357, 94358, 94452, 94453, 94751, 94755			thin spacer	F
	<b>Hitec</b> HS-5625MG, HS-5645MG, HS-625MG, HS-645MG <b>Hitec</b> HS-303, HS-300BB, HS-945MG, HS-925MG, HS-5945MG, HS-5925MG, HS-525MG, HS-525BB, HS-425BB, HS-422 <b>JR</b> Z4725, Z4750, Z2750, Z8450, Z8550, NES-4750 <b>JR</b> Z250, Z550			no spacer	A
<b>2 FIND YOUR SPACER(S)</b> 	<b>Futaba</b> S9204, S9250, S9450, S148 <b>Futaba</b> S3003, S9202, S9101 <b>Futaba</b> S9404 <b>KO</b> PS-401, PS-2001, PS-2004, PS-2015, PS-2173, PS-2174, PS-2123, PS-2143, PS-2144	thick spacer	A		
	<b>Futaba</b> S9204, S9250, S9450, S148 <b>Futaba</b> S3003, S9202, S9101 <b>Futaba</b> S9404 <b>KO</b> PS-401, PS-2001, PS-2004, PS-2015, PS-2173, PS-2174, PS-2123, PS-2143, PS-2144	no spacer	H		
	<b>Futaba</b> S9204, S9250, S9450, S148 <b>Futaba</b> S3003, S9202, S9101 <b>Futaba</b> S9404 <b>KO</b> PS-401, PS-2001, PS-2004, PS-2015, PS-2173, PS-2174, PS-2123, PS-2143, PS-2144	thin spacer	J		

# SC10

**:: Driver:** \_\_\_\_\_ **:: Date:** \_\_\_\_\_  
**:: Track:** \_\_\_\_\_  
**:: Event:** \_\_\_\_\_

Setup Sheet for Team Associated's SC10

**Rev. 2**

**:: Front End**

camber: \_\_\_\_\_  
 toe: \_\_\_\_\_

washers: \_\_\_\_\_

ride height: \_\_\_\_\_

bump steer spacer: \_\_\_\_\_

axle height  up  middle  down

caster  20°  25°  30°

**:: Rear End**

camber: \_\_\_\_\_  
 anti-squat: \_\_\_\_\_  
 toe: \_\_\_\_\_

washers: \_\_\_\_\_

ride height: \_\_\_\_\_

near hub carriers  
 std 0°   
 0.5°   
 1°   
 1.5°

axle height  up  middle  down

caster  20°  25°  30°

wheel base  long  medium  short

anti-roll bar  none  black (soft)  silver (med)  gold (hard)

**:: Front Shocks**

spring: \_\_\_\_\_ piston: \_\_\_\_\_  
 shock oil: \_\_\_\_\_ limiter: \_\_\_\_\_

**:: Rear Shocks**

spring: \_\_\_\_\_ piston: \_\_\_\_\_  
 shock oil: \_\_\_\_\_ limiter: \_\_\_\_\_

**:: Electronics**

motor & wind: \_\_\_\_\_  
 pinion: \_\_\_\_\_  
 spur gear: \_\_\_\_\_  
 batteries: \_\_\_\_\_  
 battery placement: \_\_\_\_\_

radio: \_\_\_\_\_  
 throttle / brake epa: \_\_\_\_\_  
 throttle / brake expo: \_\_\_\_\_  
 esc: \_\_\_\_\_ throttle profile: \_\_\_\_\_  
 initial brake: \_\_\_\_\_ drag brake: \_\_\_\_\_  
 servo: \_\_\_\_\_ steering expo: \_\_\_\_\_

**:: Other**

body: \_\_\_\_\_  
 notes: \_\_\_\_\_

**:: Gear Differential / Ball Differential**

gear diff fluid:  \_\_\_\_\_  
 ball diff settings:  \_\_\_\_\_

**:: Front Tires**

tire: \_\_\_\_\_  
 compound: \_\_\_\_\_  
 insert: \_\_\_\_\_  
 wheel: \_\_\_\_\_

**:: Rear Tires**

tire: \_\_\_\_\_  
 compound: \_\_\_\_\_  
 insert: \_\_\_\_\_  
 wheel: \_\_\_\_\_

**:: Race and Vehicle Comments**

qualify: \_\_\_\_\_ main: \_\_\_\_\_ finish: \_\_\_\_\_ tq:   
 comments: \_\_\_\_\_  
 \_\_\_\_\_  
 \_\_\_\_\_  
 \_\_\_\_\_

**:: Track Info**

smooth:  bumpy:  blue groove:   
 traction:  high  med.  low  
 soft dirt:  grass:  clay:  wet:   
 dusty:  other: \_\_\_\_\_  
 \_\_\_\_\_  
 \_\_\_\_\_



***Associated Electrics, Inc.***

***26021 Commercentre Dr.***

***Lake Forest, CA 92630 USA***

***<http://www.TeamAssociated.com>***

***<http://www.RC10.com>***

***[http://twitter/Team Associated](http://twitter/TeamAssociated)***

***<http://bit.ly/AEonFacebook>***

***call: (949) 544-7500 - fax: (949) 544-7501***

***Check out the following web sites for all of our kits,  
current products, new releases, setup help, tips, and racing info!***

***[www.TeamAssociated.com](http://www.TeamAssociated.com). - [www.RC10.com](http://www.RC10.com)***