



# RC18B2

#20106 RC18B2 Ready-To-Run



# RC18T2

#20101 RC18T2 Ready-To-Run



1:18 Scale Electric 4WD Off Road Buggy/Truck Kit Manual & Catalog <sup>1/10</sup>

# TEAM ASSOCIATED



## :: Introduction

Thank you for purchasing this Team Associated product. This manual contains instructions and tips for building and maintaining your new RC18B2 or RC18T2 RTR. Please take a moment to read through it and familiarize yourself with these steps. We are continually changing and improving our designs; therefore, actual parts may appear slightly different than the illustrations. New parts will be noted on supplementary sheets located in the appropriate parts bags. Check each bag for these sheets before you start to build.

## :: RC18B2 - RC18T2 RTR Features

- 2.4 GHz transmitter and receiver help eliminate frequency overlapping
- Buggy or Truck racing bodies including rear wing - 0.8mm (0.03") polycarbonate
- Dish racing wheels front and rear
- Aggressive mini-pin racing tires
- Oil filled composite shock bodies with preload clips for easy ride height adjustments
- Durable gear differentials front and rear
- Molded composite chassis with sealed drive train
- 2-belt drive system for ultimate durability capable of handling all brushless/lipo combos
- Dual bell crank steering for improved steering feel
- Hinged battery strap for quick battery changes
- Durable composite fixed length links
- Complete set of 15 precision steel ball bearings
- Updated front and rear bumpers for smoother landings off large jumps
- Improved servo saver for better straight line tracking
- Vertical ball end adjustment front and rear for easy roll center adjustments
- Dog bone front and rear axles

## :: Additional

### :: RC18B2 - RC18T2 RTR

Your new RC18B2 or RC18T2 RTR comes factory assembled including radio gear, motor, ESC, and battery. However, you will need to purchase 8 AA batteries Alkaline or Nimh rechargeable (AE Part # 302, 303) for your transmitter.

Please see the Quick Start Guide for installing your AA batteries.

Tools included:

- 4-way wrench
- hex wrenches: (1.5mm, 5/32" [2mm])

**There is a 1:1 fold out  
in the back of the manual.  
Fold it out for easy reference  
to hardware sizing!**



\* These Symbols Indicate  
a special note or instructions.

## :: Optional

Optional parts and gear to accessorize and maintain your RC18B2 - RC18T2:

- Green Slime shock lube (AE Part# 1105)
- Cyanoacrylate glue (AE Part# 1597)
- Thread Locking Compound (AE Part# 1596)
- Silicone Shock Fluid (Refer to catalog for complete listings)
- Body Scissors (AE Part# 1737)
- Reamer / Hole Punch
- FT Hex Wrenches (AE Part# 1541)
- FT Screwdriver Set (AE Part# 1551)
- FT Nut Driver Set (AE Part# 1561)
- Hobby Knife
- Needle Nose Pliers
- Wire Cutters
- Soldering Iron
- Calipers or a Precision Ruler
- RC18B2/T2 CVD kit (AE Part# 21230)
- FT Ball Differential Kit (AE Part# 21381 front, 21408 rear)
- FT Anti-Roll Bar Kit (AE Part# 21386)
- FT Graphite Chassis Conversion Kit (AE Part# 21402)
- Titanium Turnbuckle Set w/Ball Cups (AE Part# 21404)
- FT Slipper Shaft Assembly (AE Part# 21405)

**Associated Electrics, Inc.**  
26021 Commercentre Dr.  
Lake Forest, CA 92630

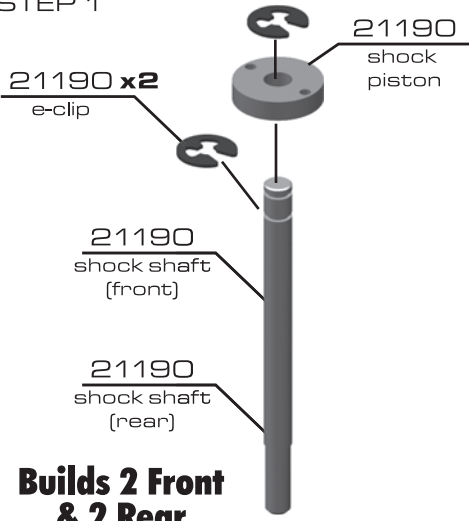


**Customer Service**  
Tel: 949.544.7500  
Fax: 949.544.7501

<http://www.TeamAssociated.com> • <http://www.RC10.com> • [http://twitter.com/Team\\_Associated](http://twitter.com/Team_Associated) • <http://bit.ly/AEonFacebook>

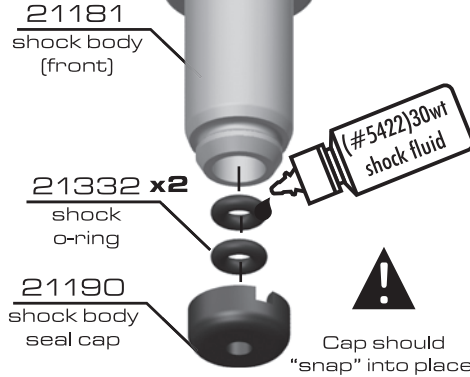
**:: Shock Build**

STEP 1

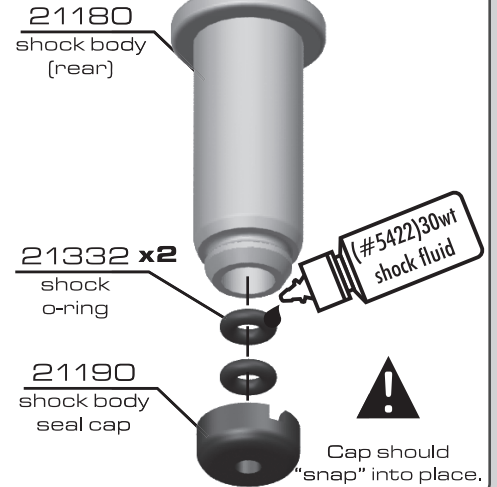


**Builds 2 Front & 2 Rear**

**Front**

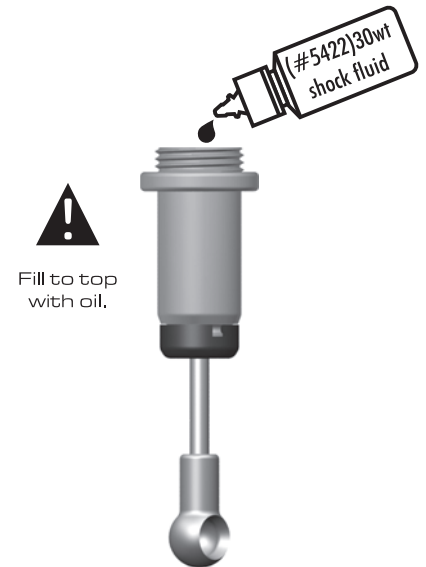
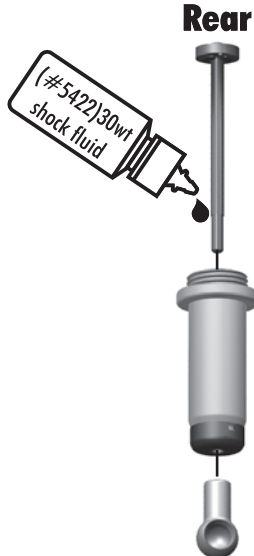
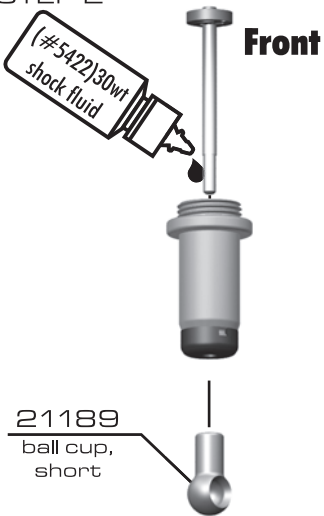


**Rear**



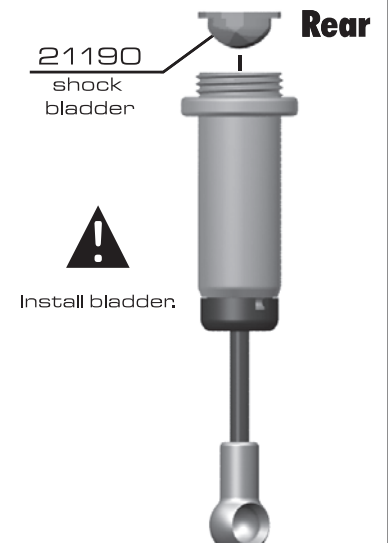
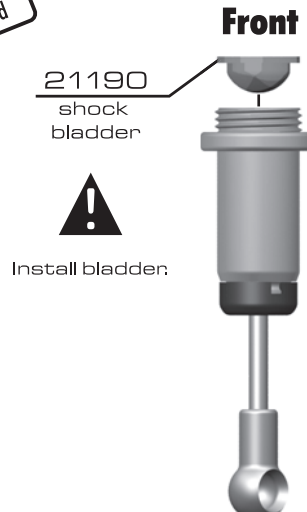
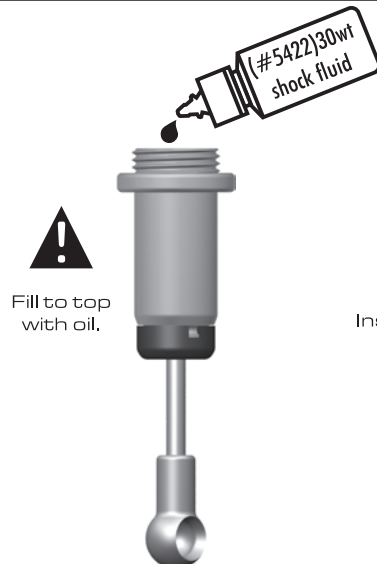
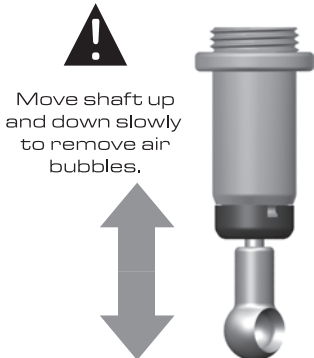
**:: Shock Build (cont.)**

STEP 2



**:: Shock Build (cont.)**

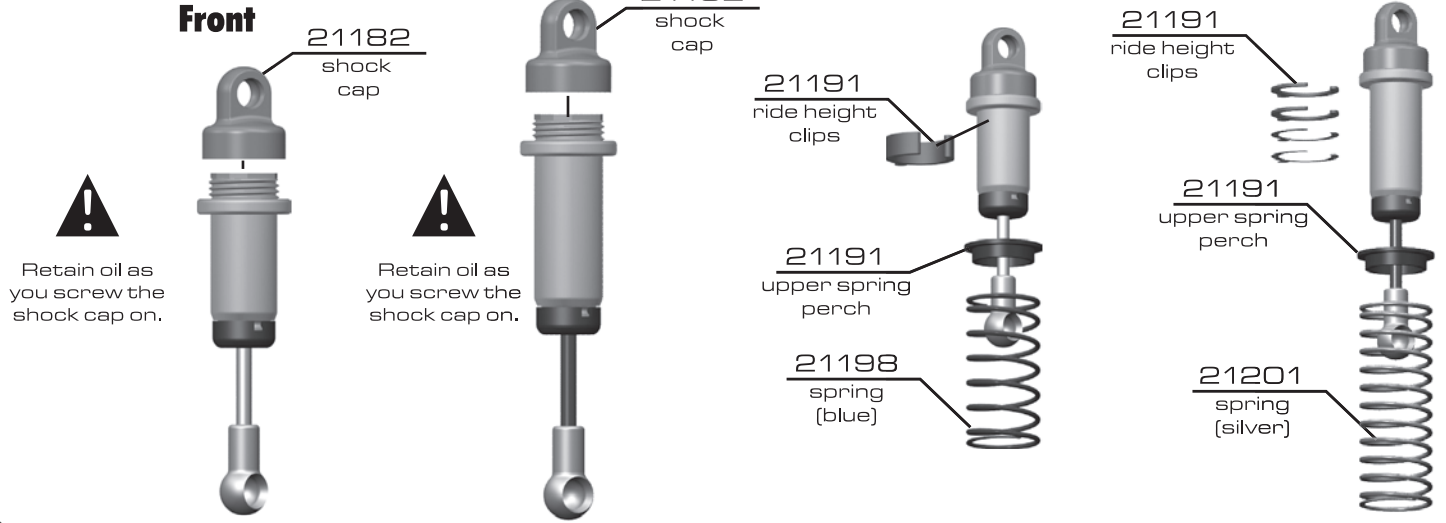
STEP 3



**Rear**

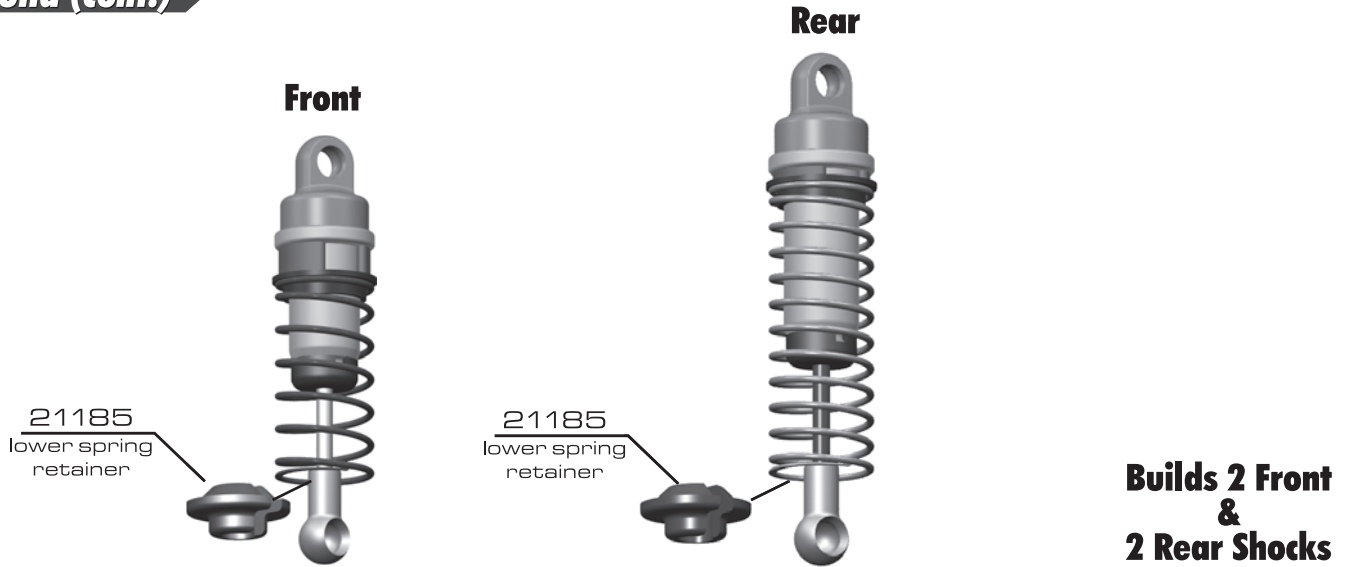
**:: Shock Build (cont.)**

STEP 4



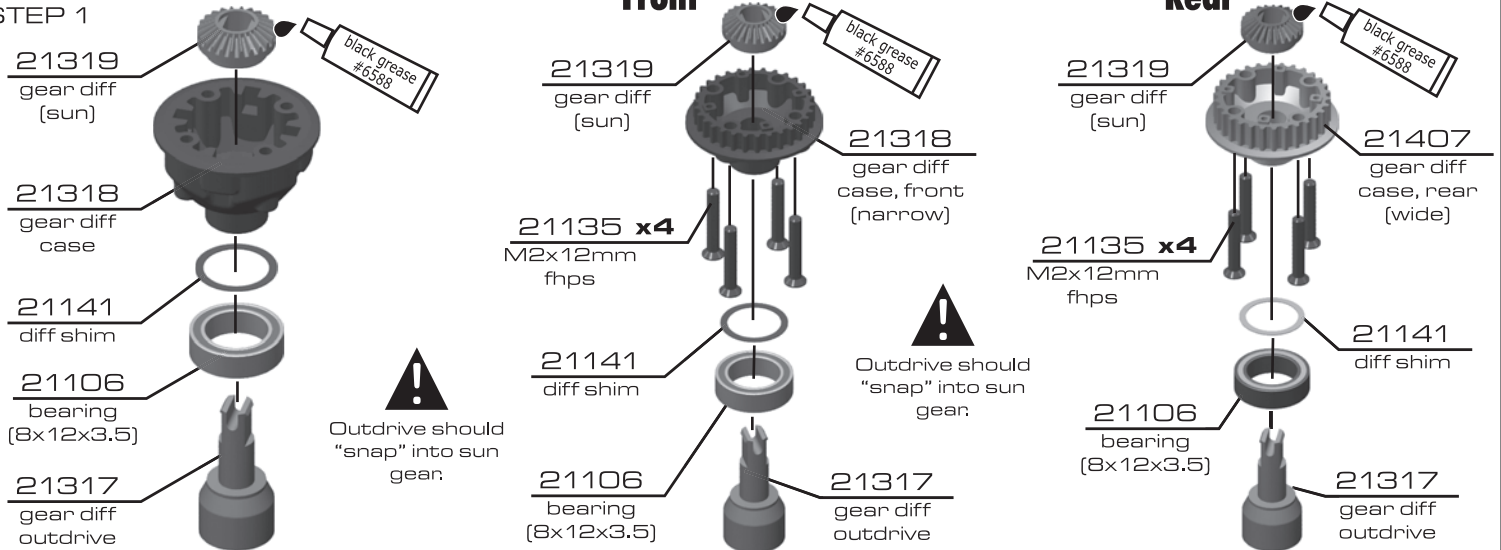
**:: Shock Build (cont.)**

STEP 5



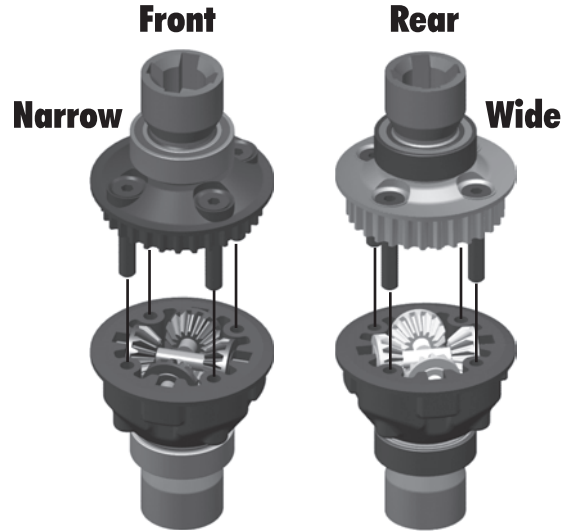
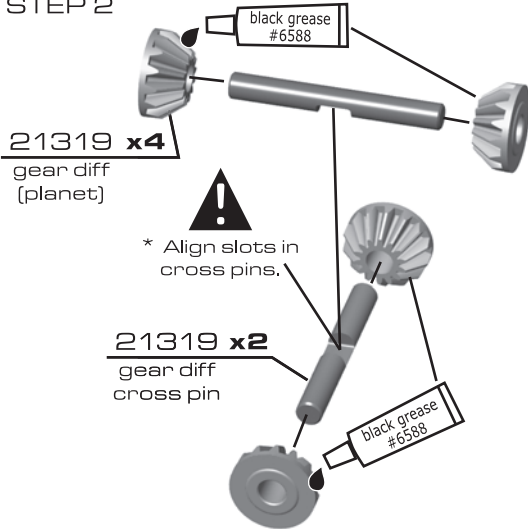
**:: Differential Build**

STEP 1



**:: Differential Build (cont.)**

STEP 2

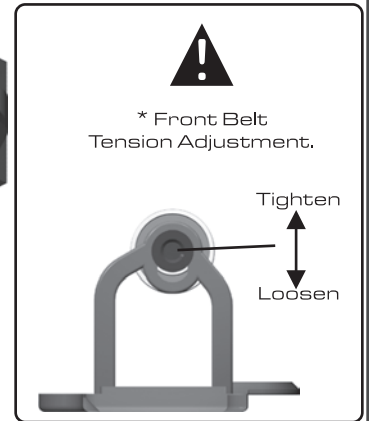
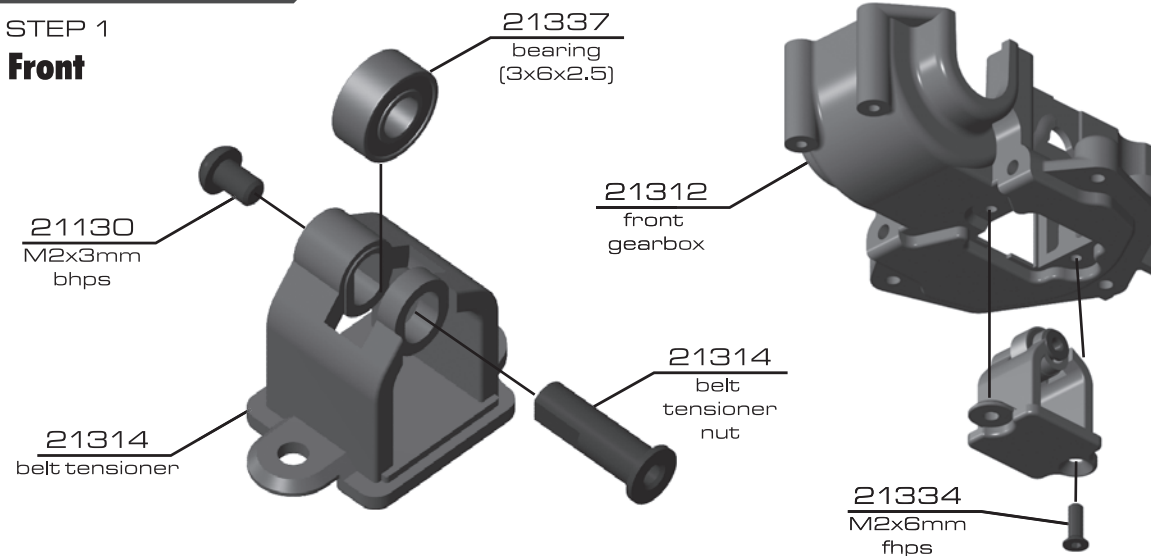


**Builds Front and Rear Diffs**

**:: Gearbox Install**

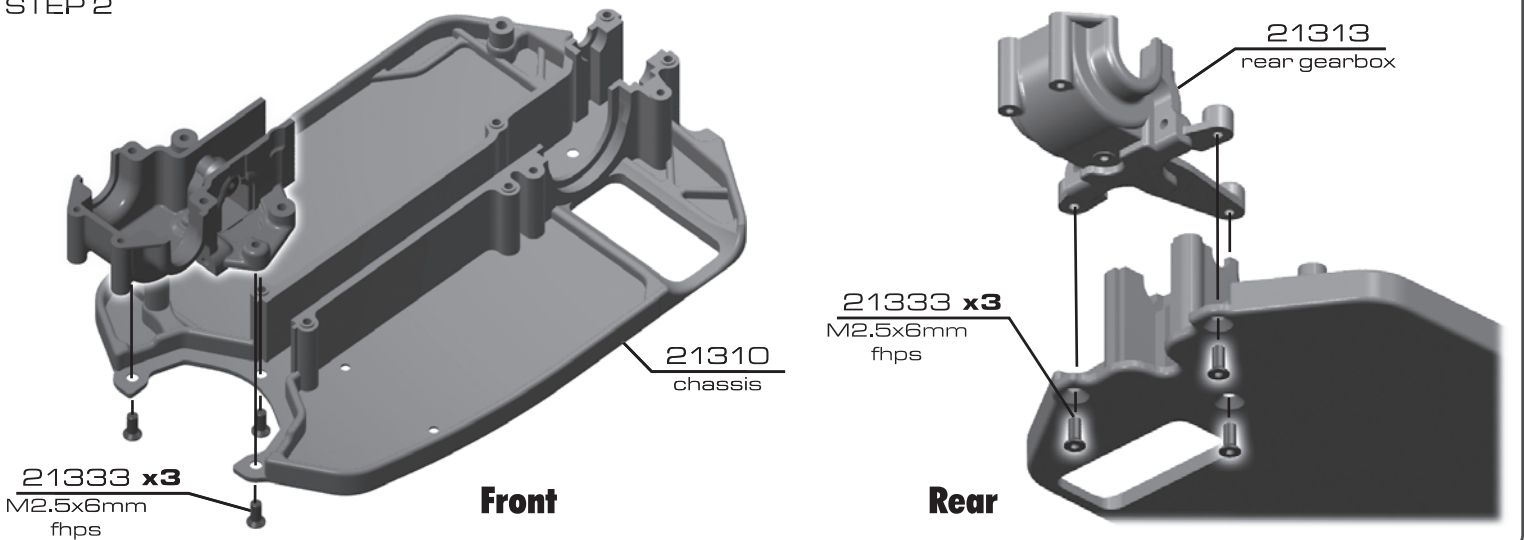
STEP 1

**Front**



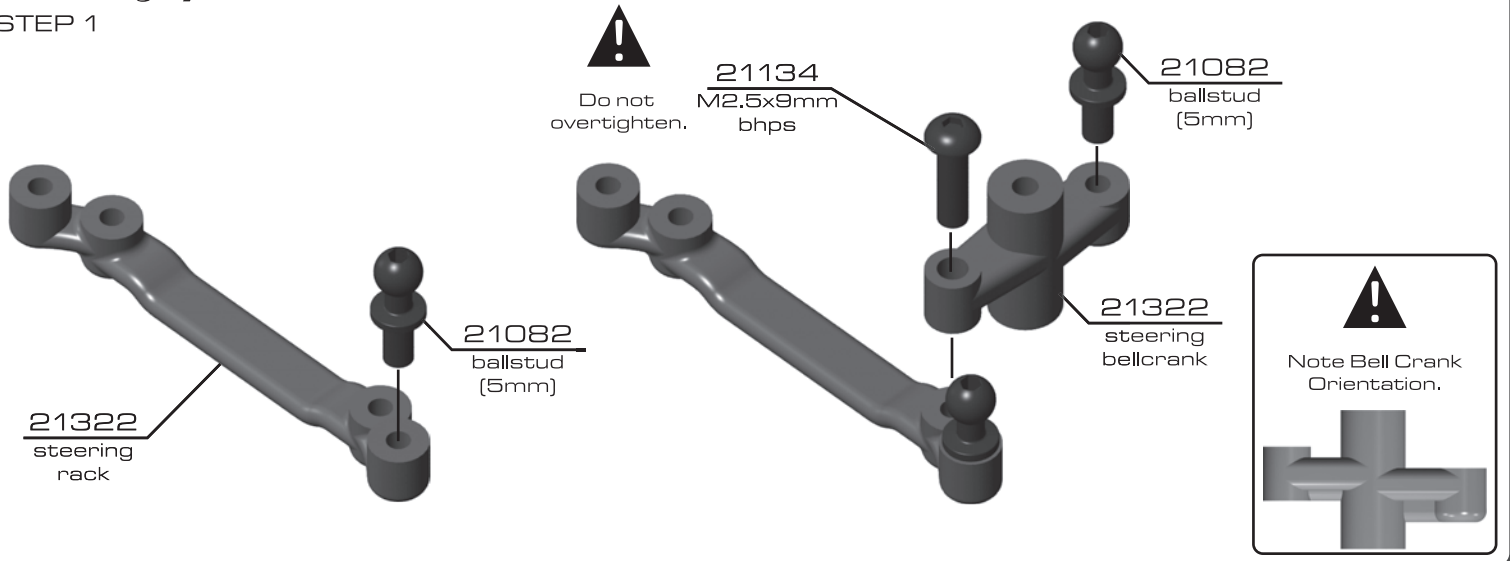
**:: Gearbox Install**

STEP 2



## :: Steering System Build

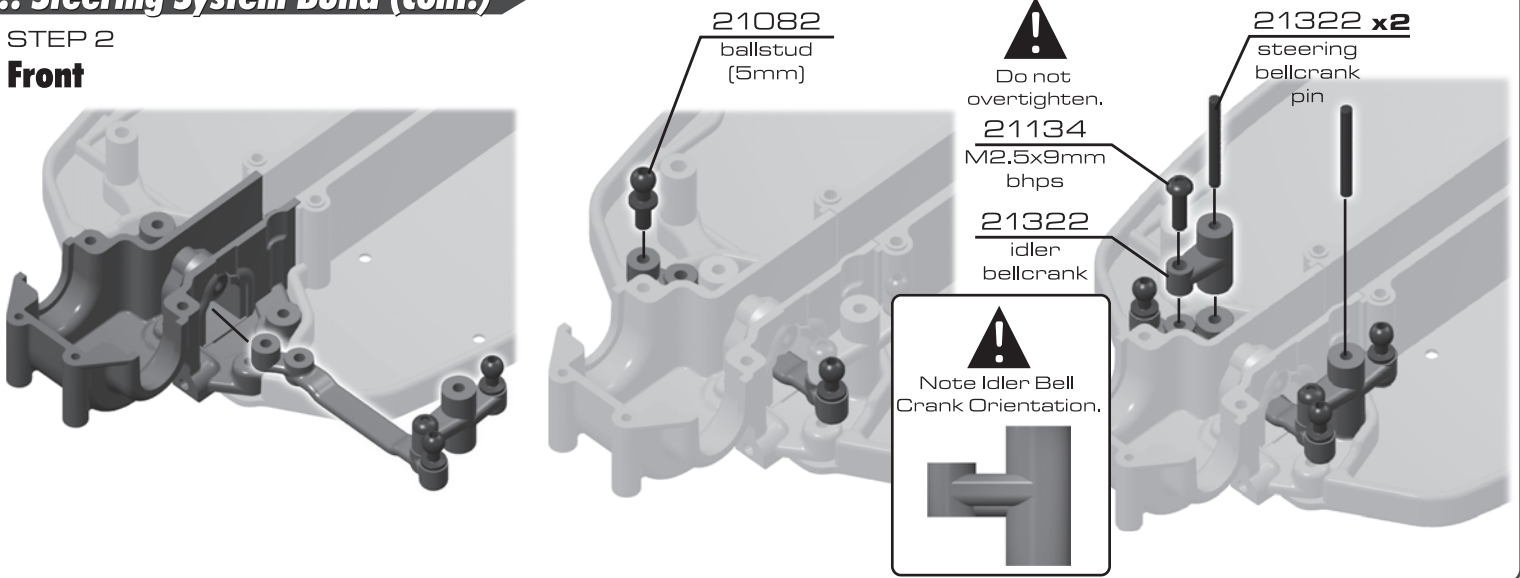
STEP 1



## :: Steering System Build (cont.)

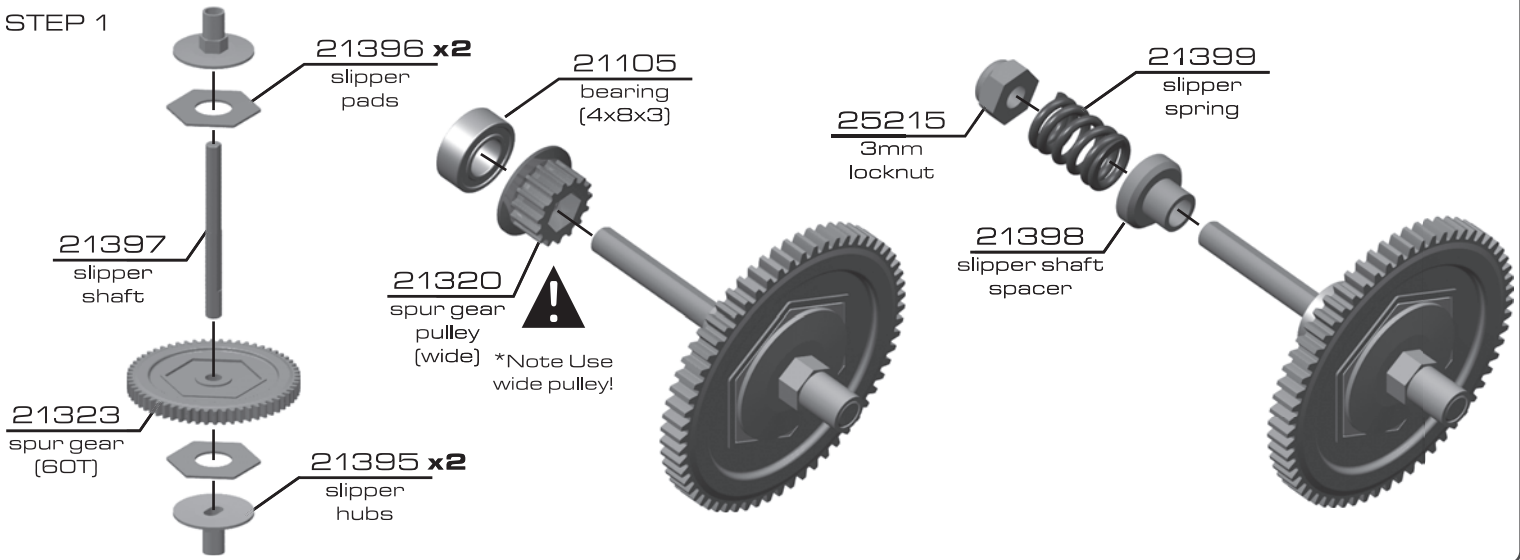
STEP 2

Front



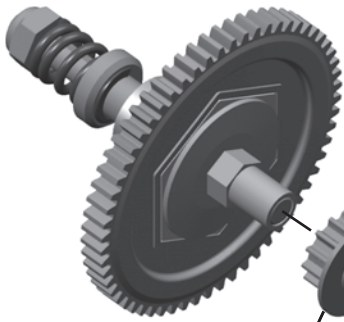
## :: Spur Gear Build

STEP 1

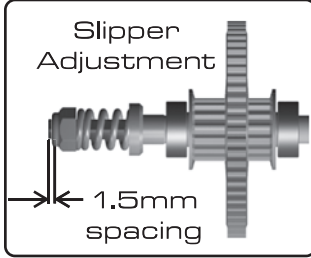


**:: Spur Gear Build (cont.)**

STEP 2



**21320**  
spur gear pulley (narrow)



Slipper Adjustment

1.5mm spacing

**21105**  
bearing (4x8x3)

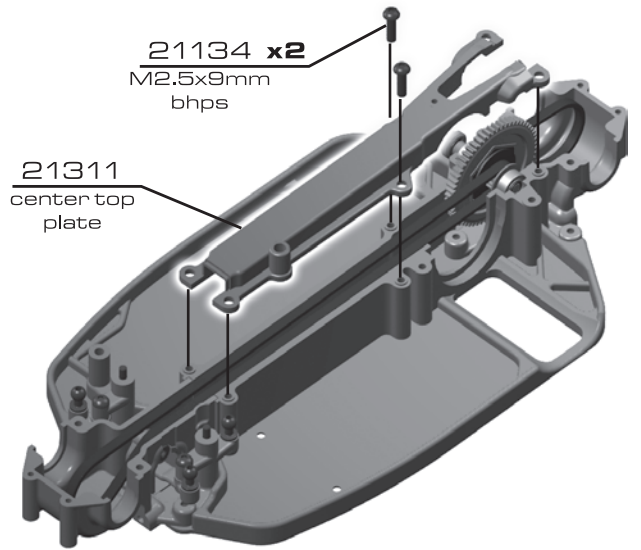
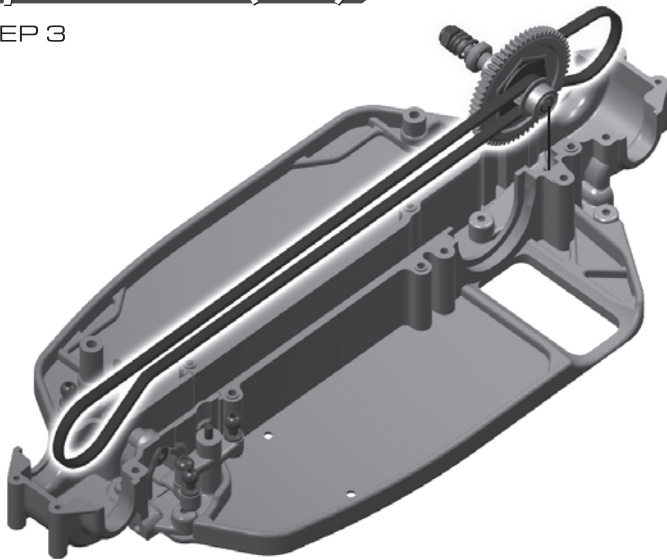


**21329**  
rear belt

**21328**  
front belt

**:: Spur Gear Build (cont.)**

STEP 3

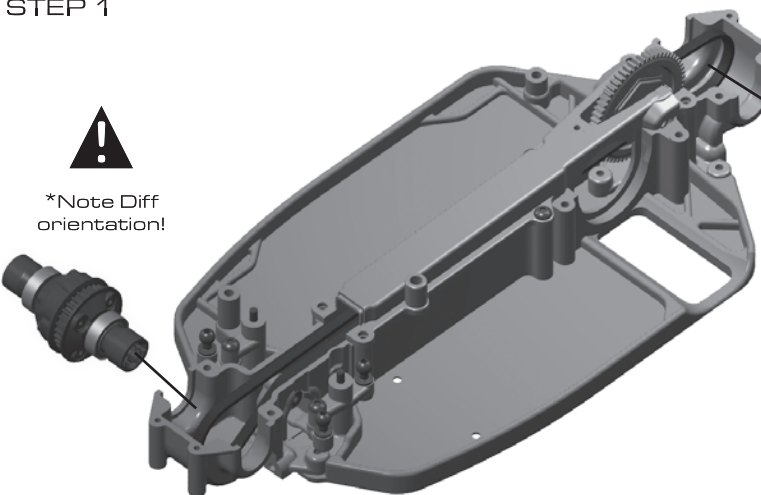


**21134 x2**  
M2.5x9mm bhrs

**21311**  
center top plate

**:: Differential Install**

STEP 1



\*Note Diff orientation!

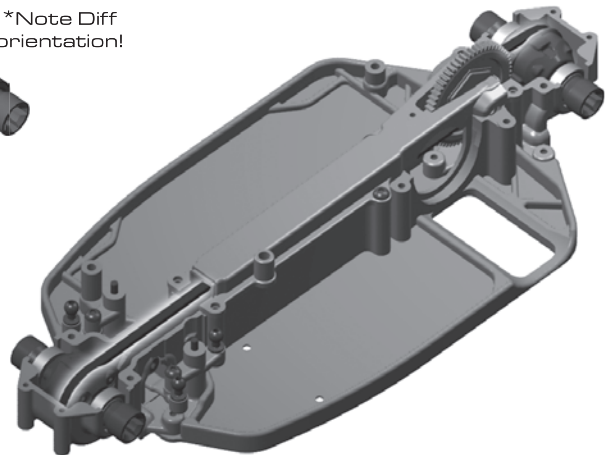


rear

\*Note Diff orientation!



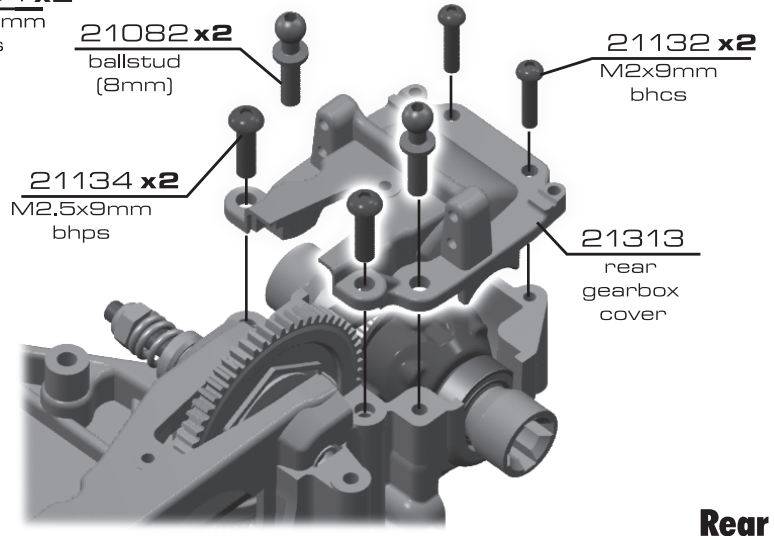
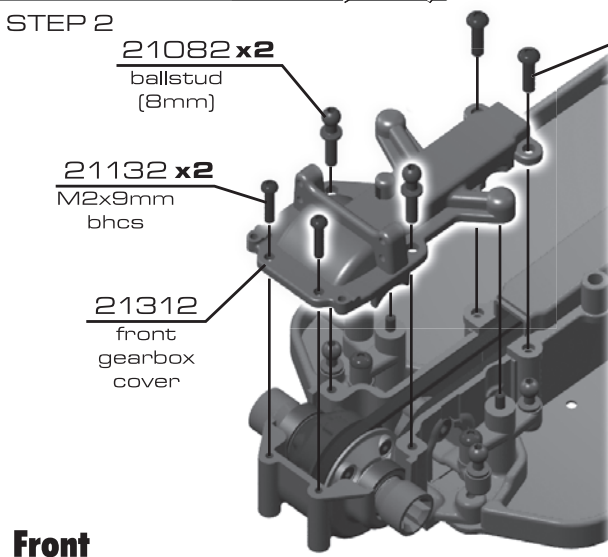
\*Note Use wider diff for rear!



Front

**:: Differential Install (cont.)**

STEP 2

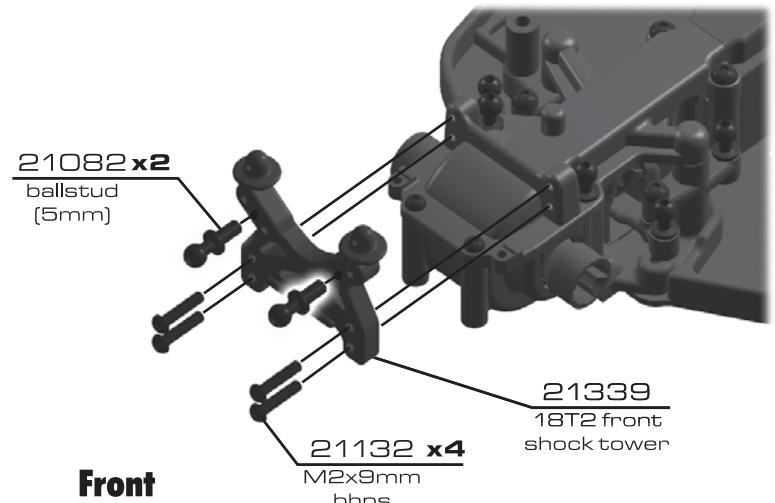
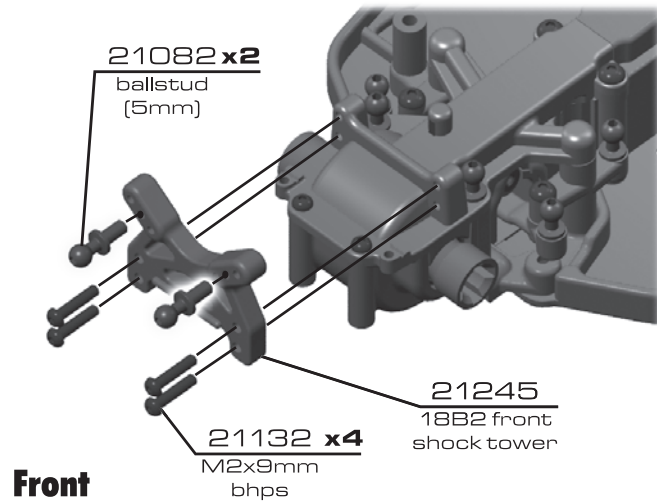


**:: Shock Tower Build**

STEP 1

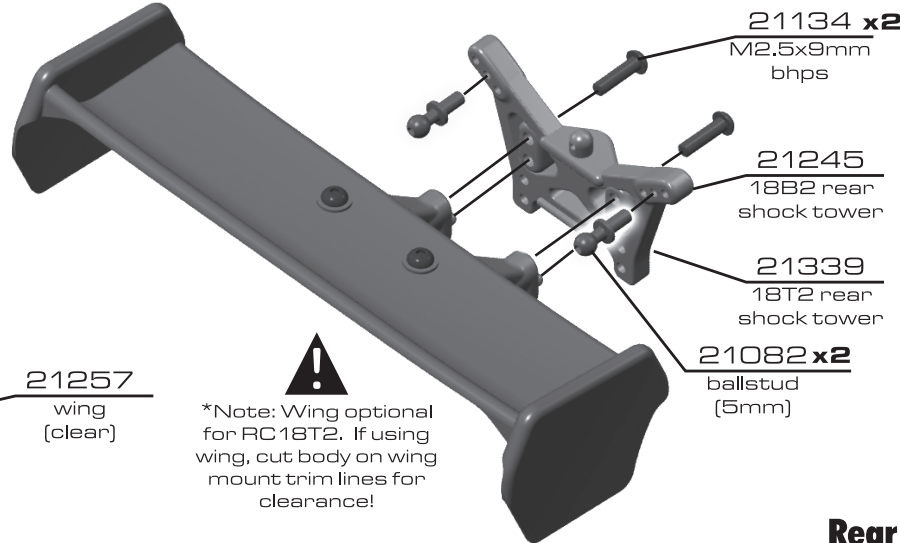
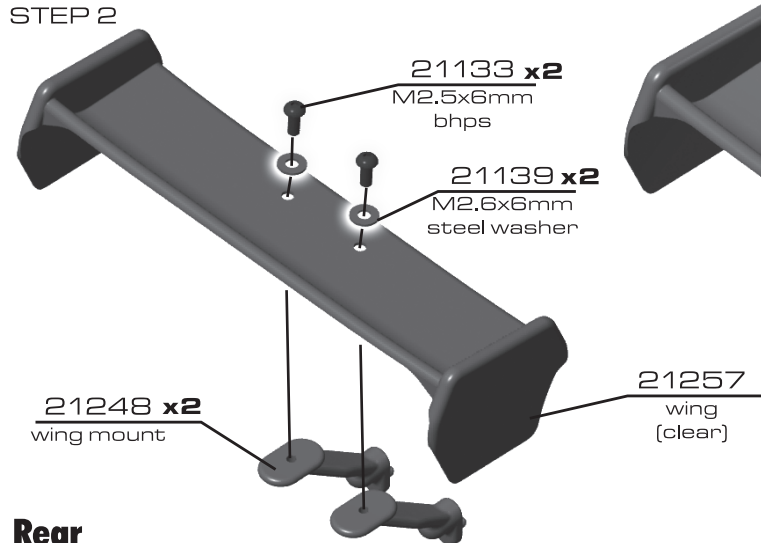
**RC18B2**

**RC18T2**



**:: Shock Tower Build (cont.)**

STEP 2



**!**  
\*Note: Wing optional for RC18T2. If using wing, cut body on wing mount trim lines for clearance!



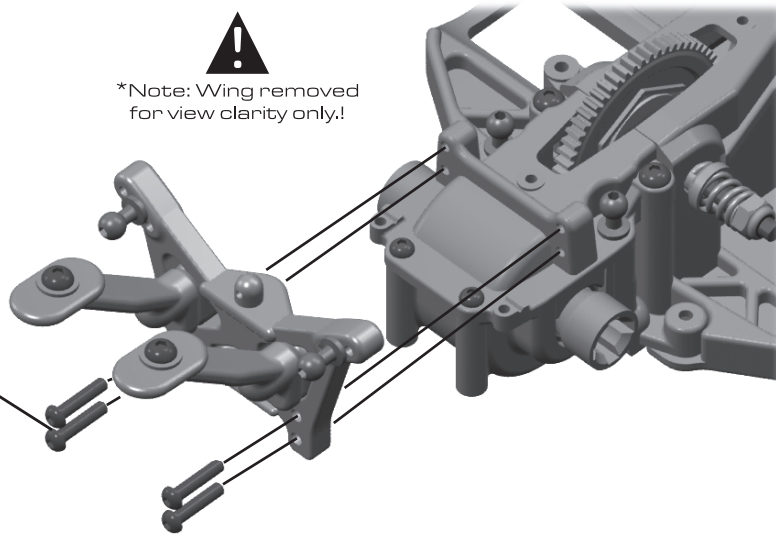
**:: Shock Tower Build (cont.)**

STEP 3



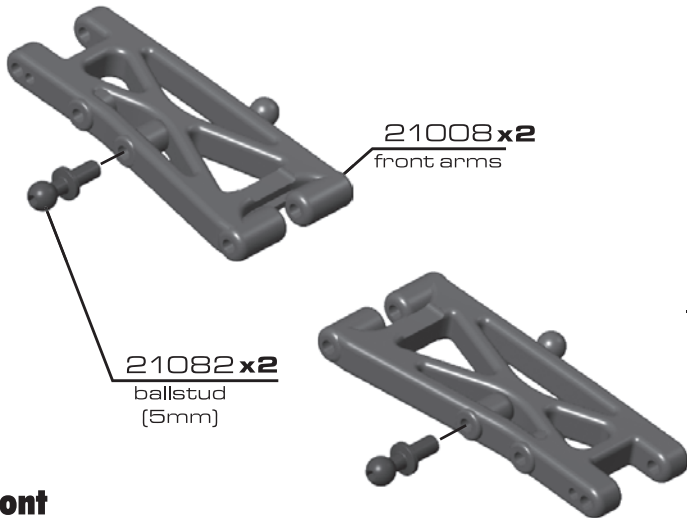
\*Note: Wing removed for view clarity only!

**21132 x4**  
M2x9mm  
bhps

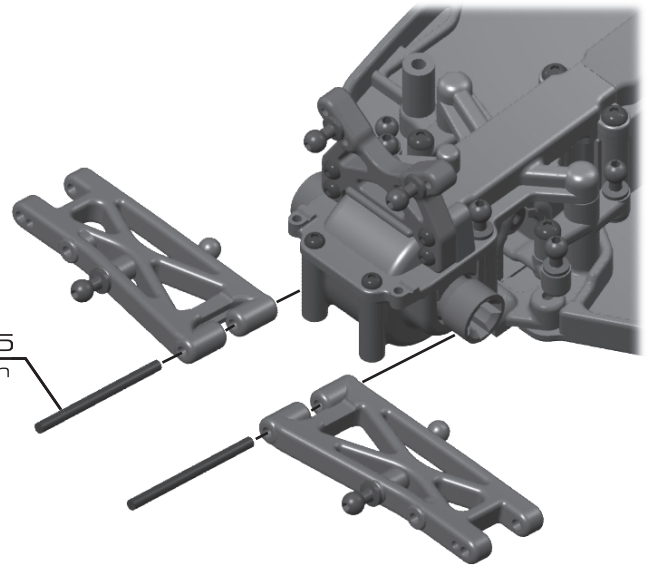


**:: Suspension Arms Install**

STEP 1



**21085**  
hinge pin

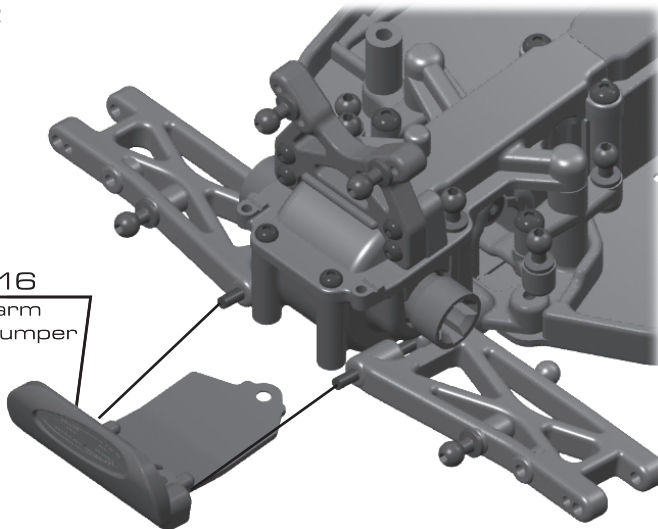


**Front**

**:: Suspension Arms Install (cont.)**

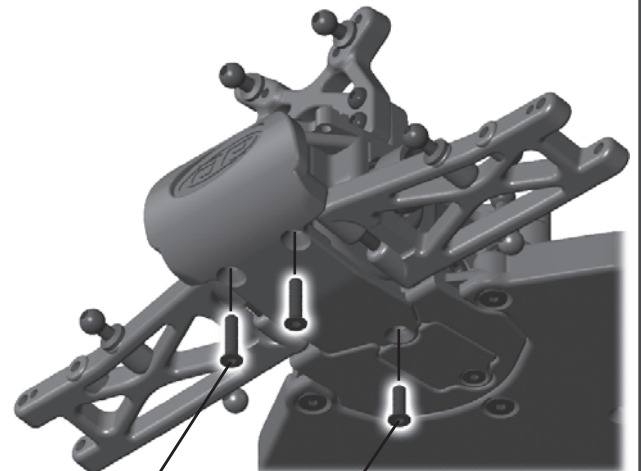
STEP 2

**21316**  
front arm  
mount/bumper



**25196 x2**  
M2x8mm  
fhps

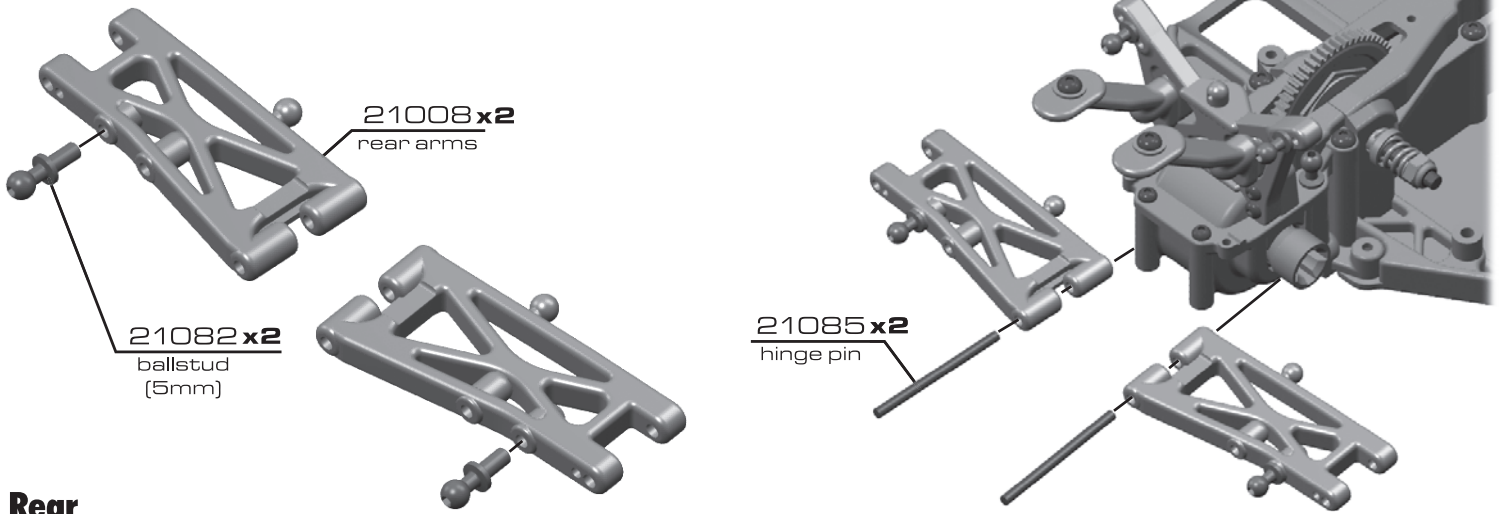
**21334**  
M2x6mm  
fhps



**Front**

**:: Suspension Arms Install (cont.)**

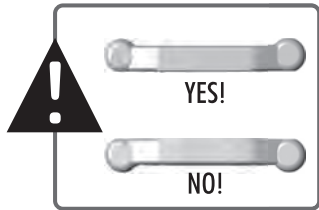
STEP 3



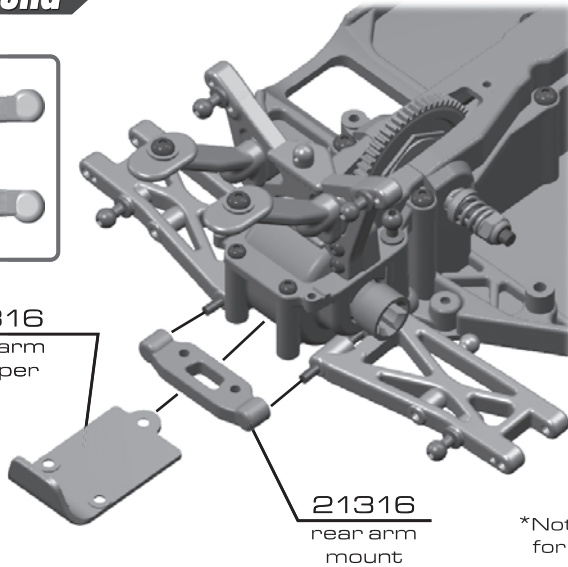
Rear

**:: Shock Tower Build**

STEP 4



21316  
rear arm  
bumper

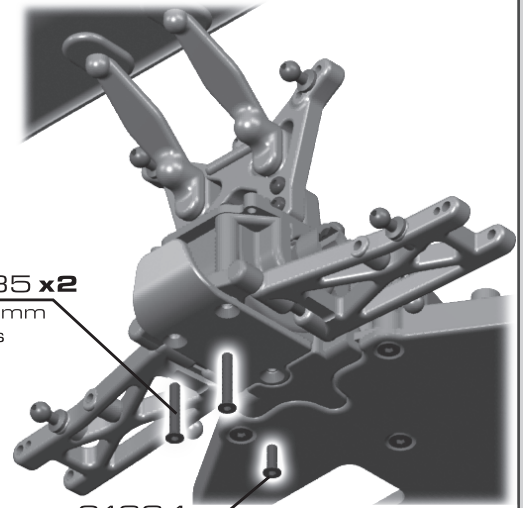


Rear

\*Note: Wing removed  
for view clarity only!

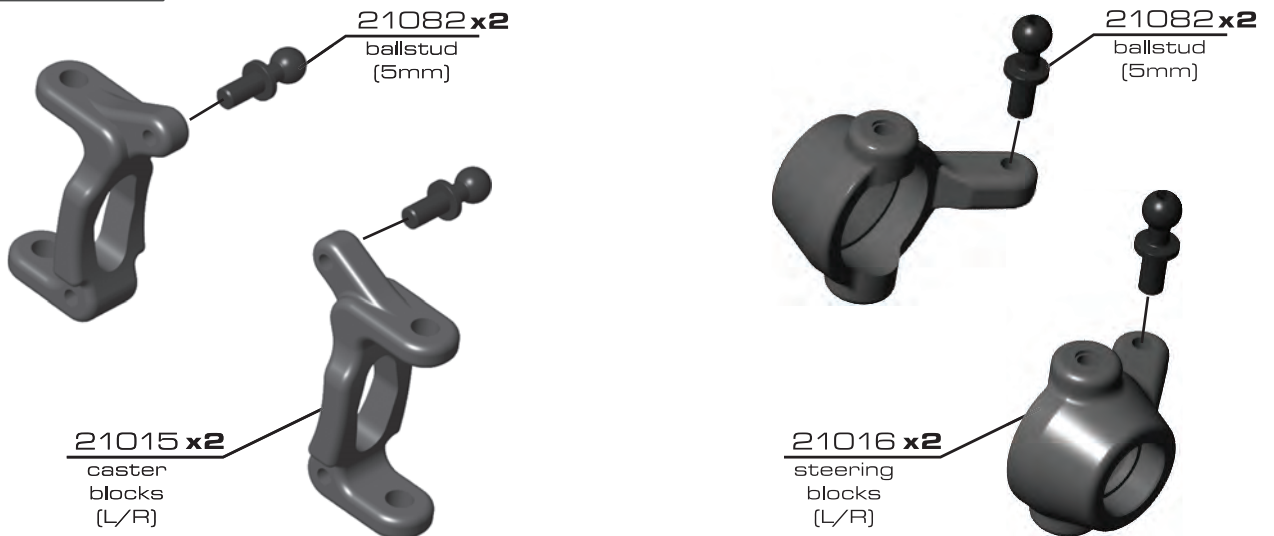
21135 x2  
M2x12mm  
fhps

21334  
M2x6mm  
fhps



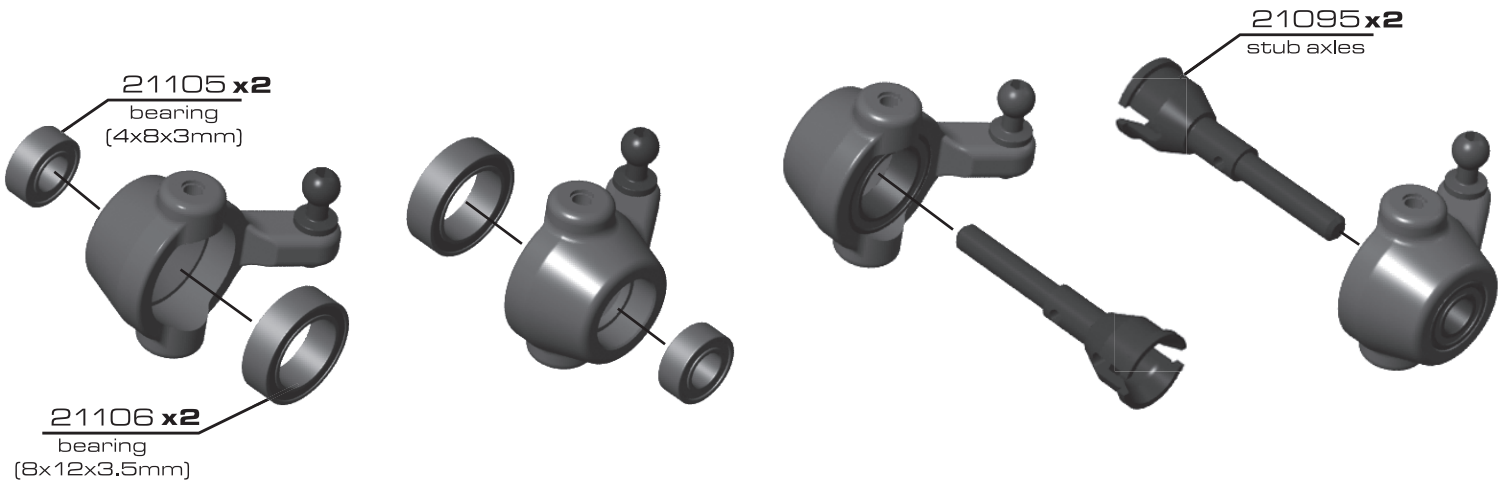
**:: Caster Blocks Build**

STEP 1



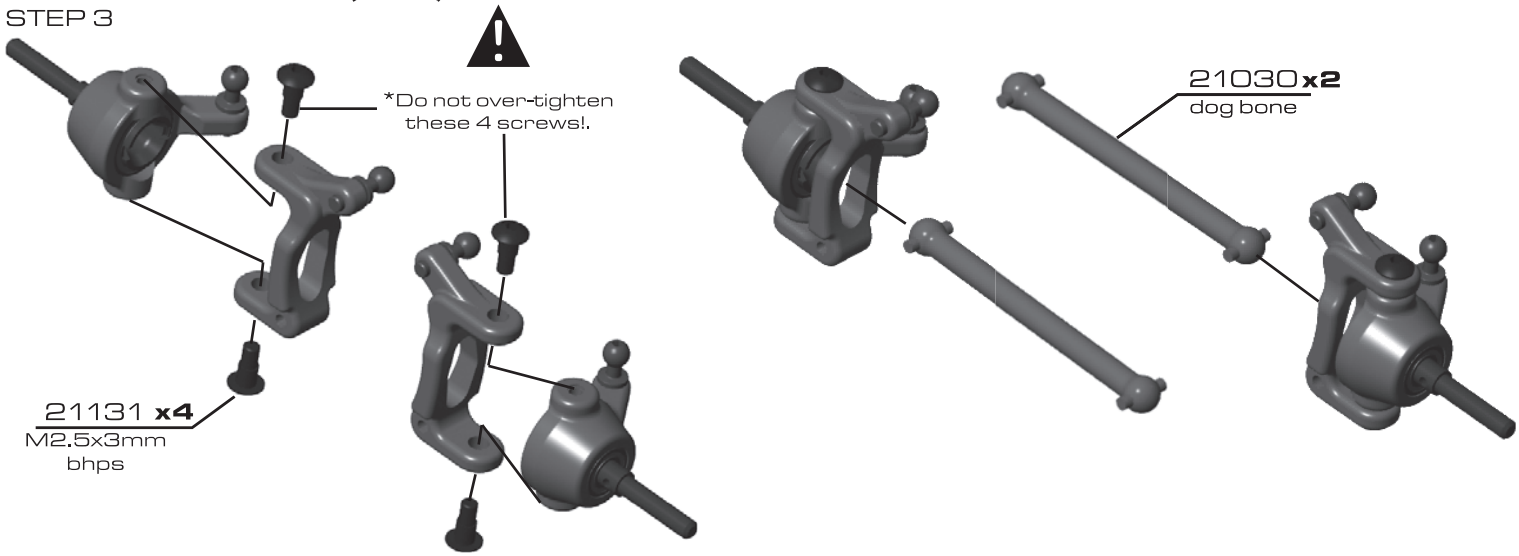
**:: Caster Blocks Build (cont.)**

STEP 2



**:: Caster Blocks Build (cont.)**

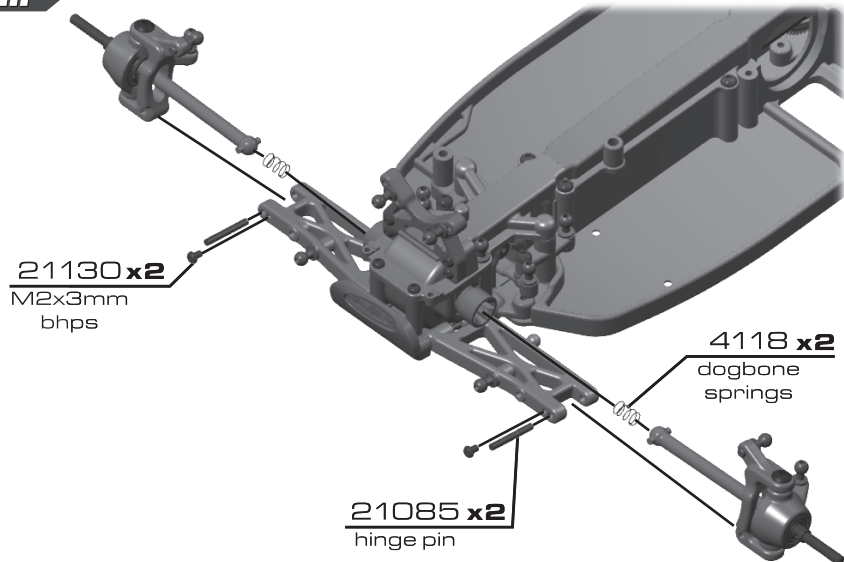
STEP 3



**:: Caster Blocks Install**

STEP 1

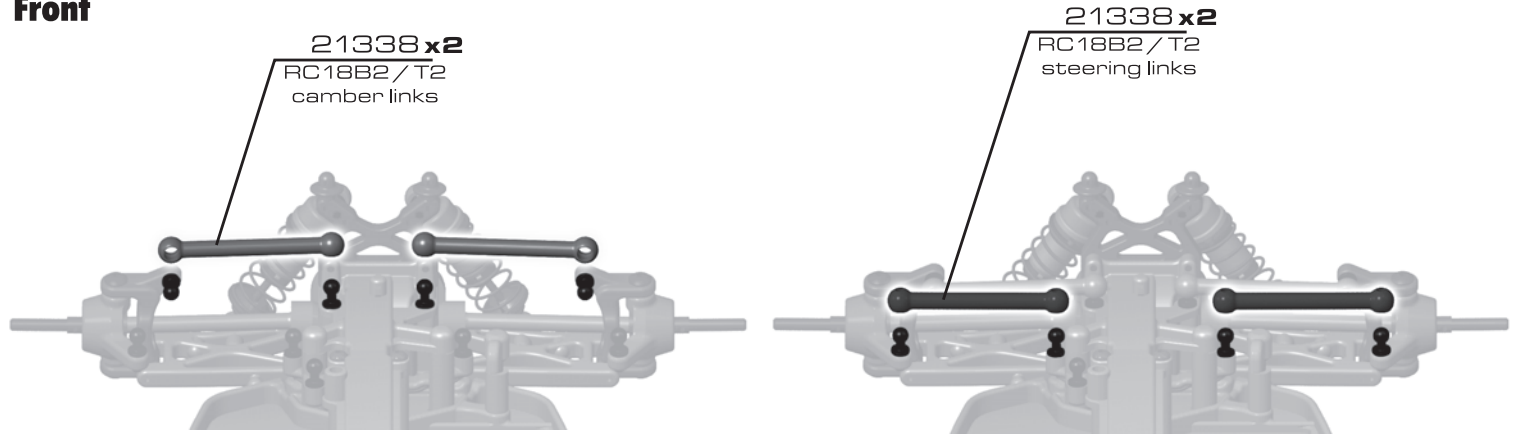
Front



**:: Caster Blocks Install (cont.)**

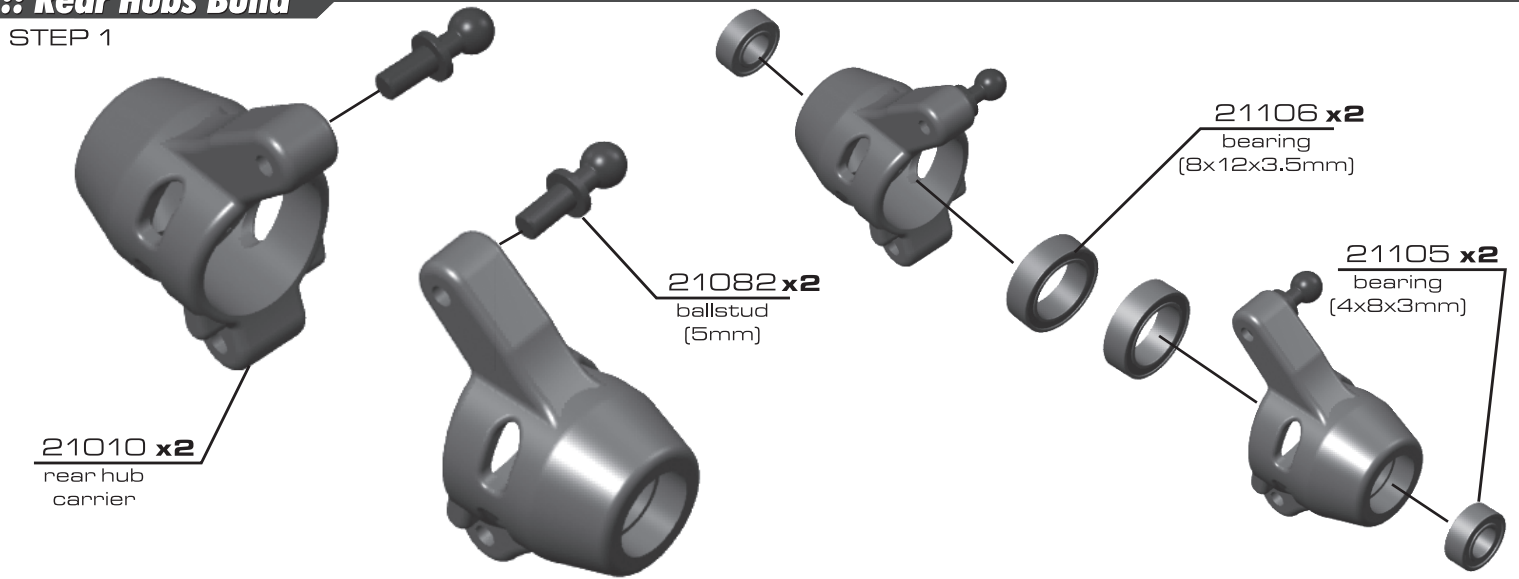
STEP 2

**Front**



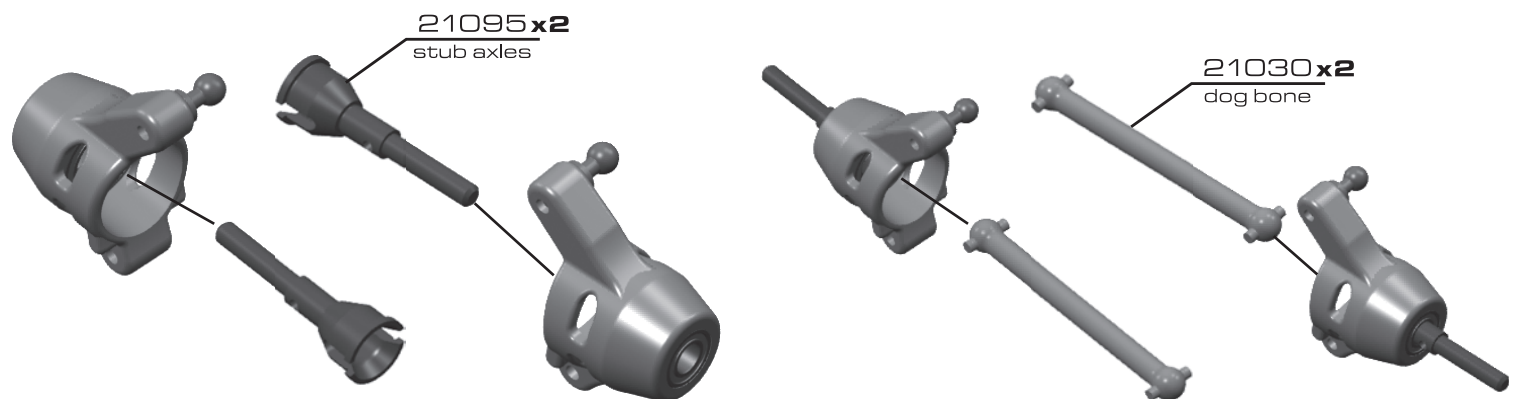
**:: Rear Hubs Build**

STEP 1



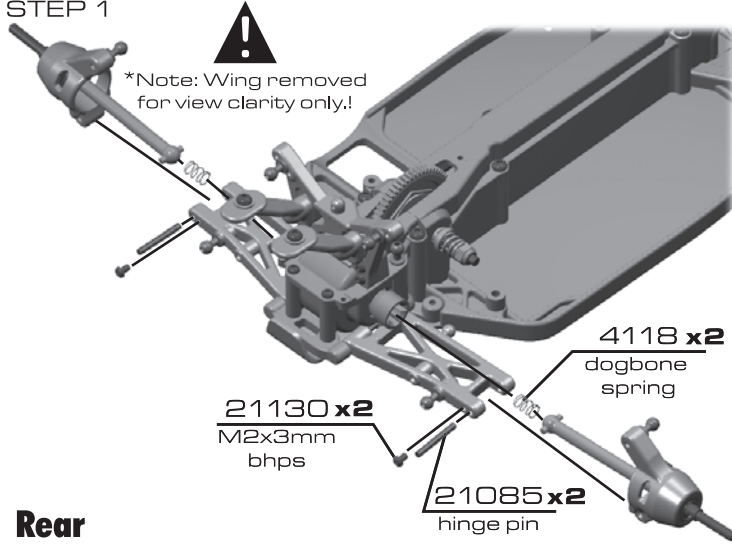
**:: Rear Hubs Build (cont.)**

STEP 2

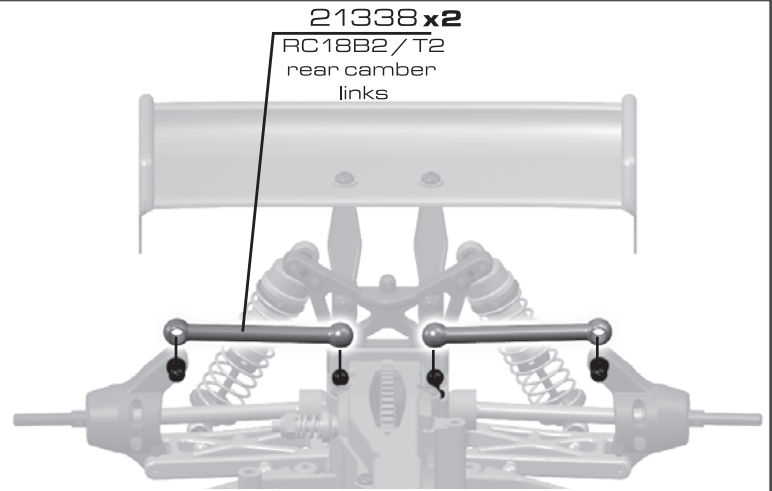


## :: Rear Hubs Install

STEP 1

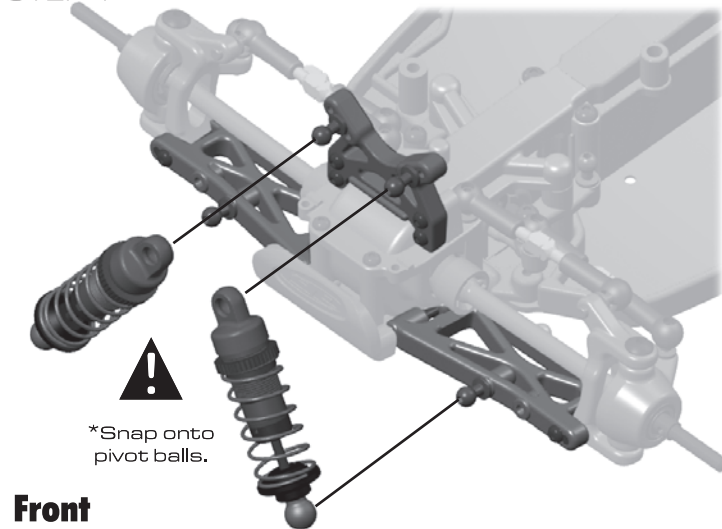


Rear

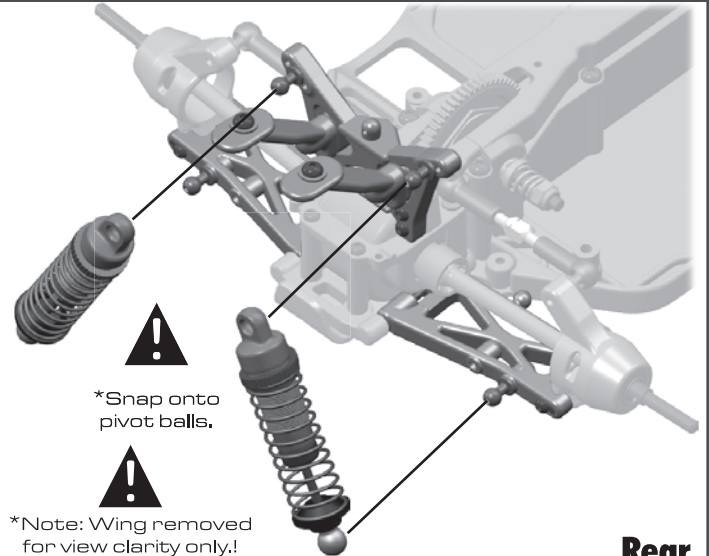


## :: Shocks Install

STEP 1



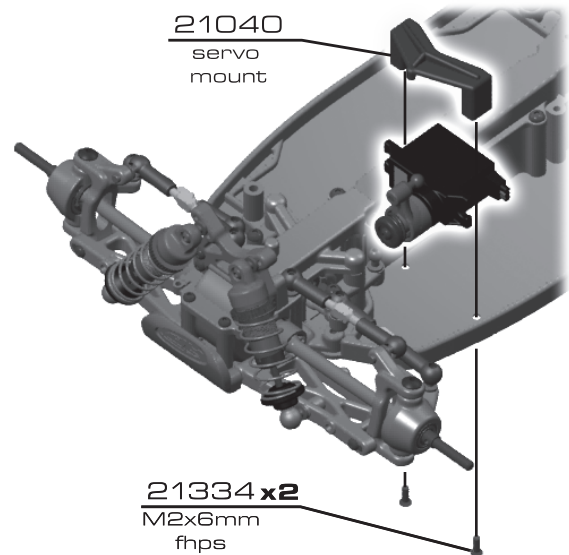
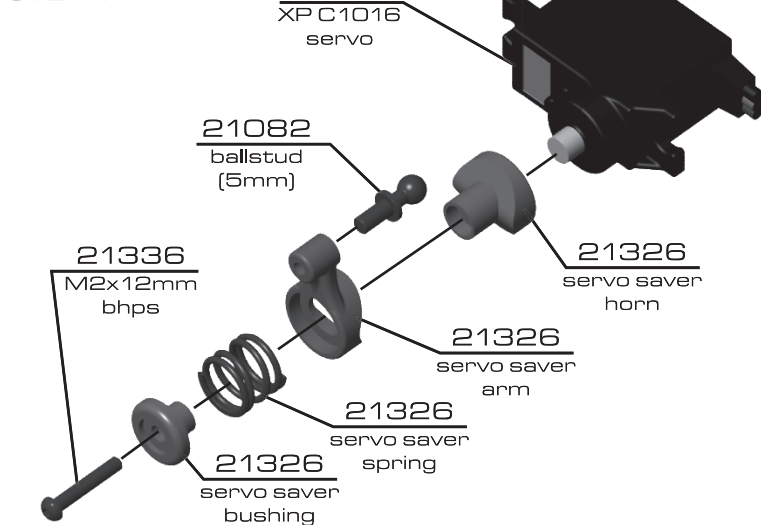
Front



Rear

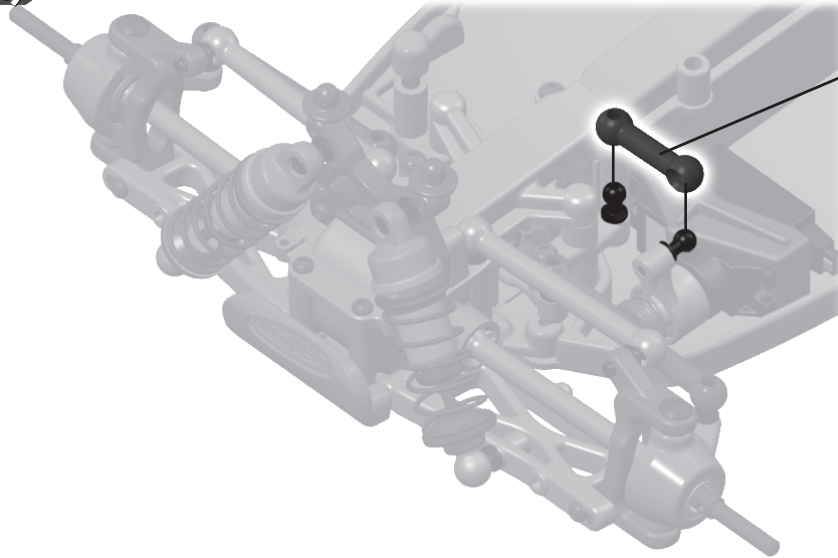
## :: Servo Install

STEP 1



**:: Servo Install (cont.)**

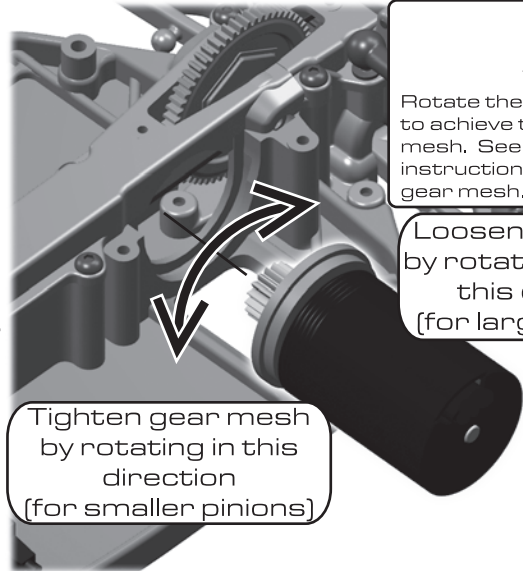
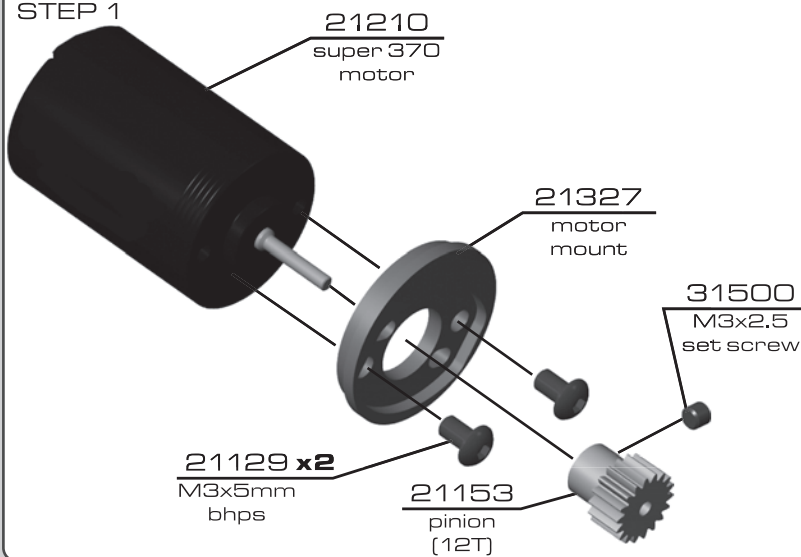
STEP 2



21338  
servo link

**:: Motor Install**

STEP 1



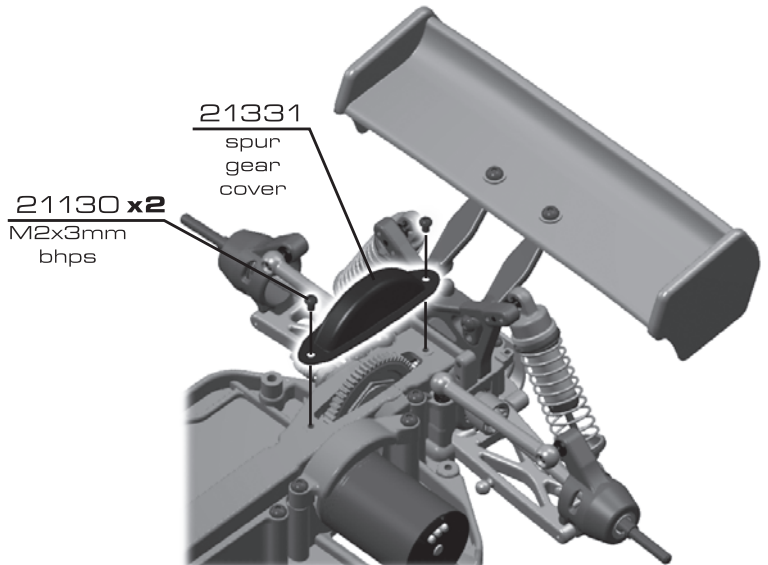
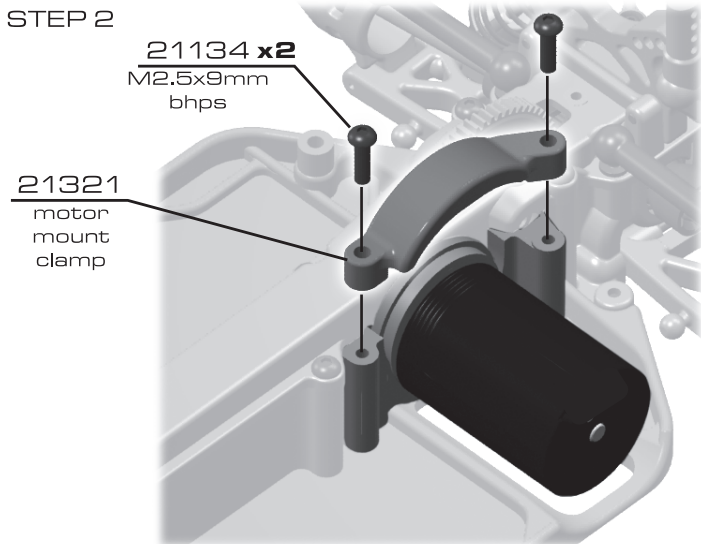
Rotate the motor mount to achieve the desired gear mesh. See page 23 for instructions on setting your gear mesh.

Loosen gear mesh by rotating motor in this direction (for larger pinions).

Tighten gear mesh by rotating in this direction (for smaller pinions)

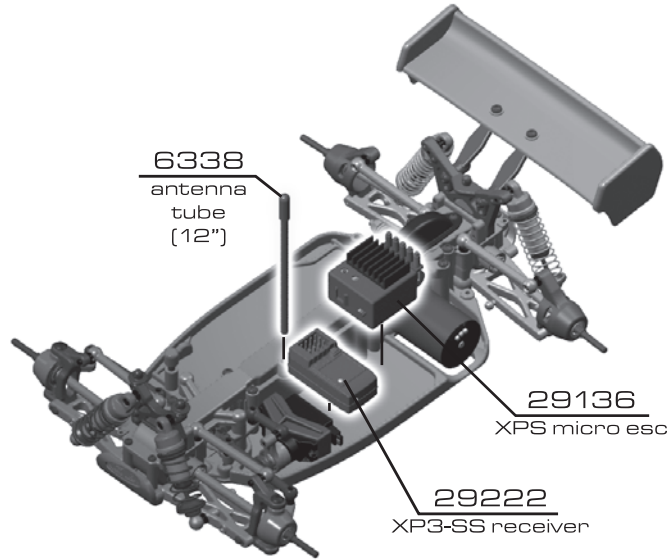
**:: Motor Install (cont.)**

STEP 2



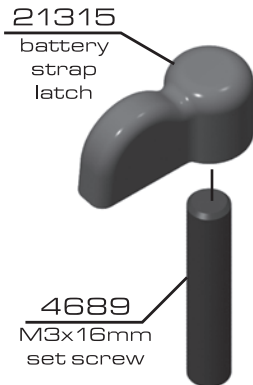
**:: Electronics Install**

STEP 1



**:: Electronics Install (cont.)**

STEP 2

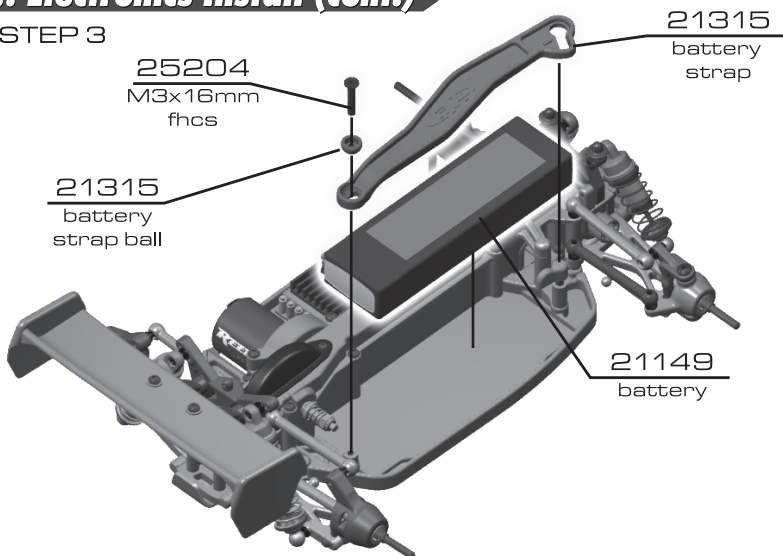


**!**  
Adjust the height of the latch to secure your battery pack.

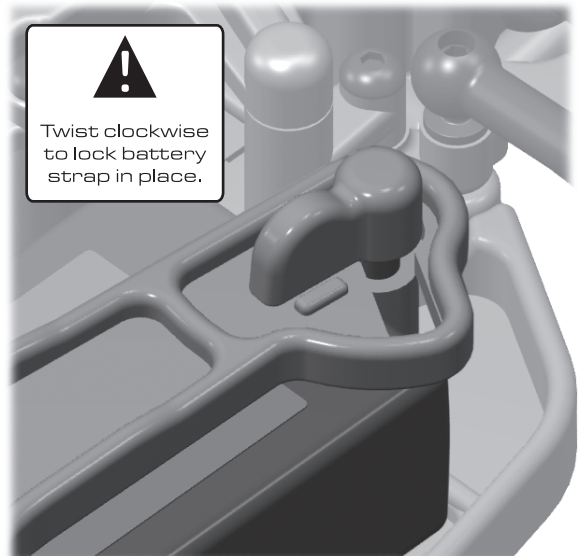


**:: Electronics Install (cont.)**

STEP 3

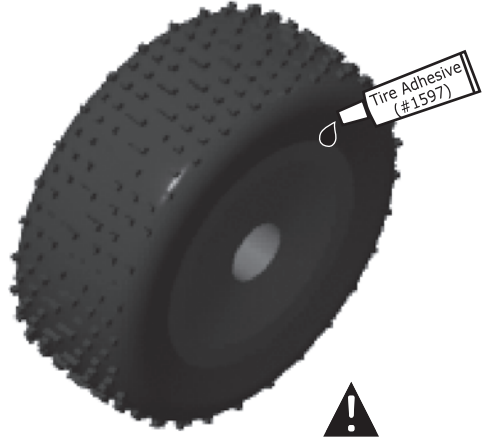
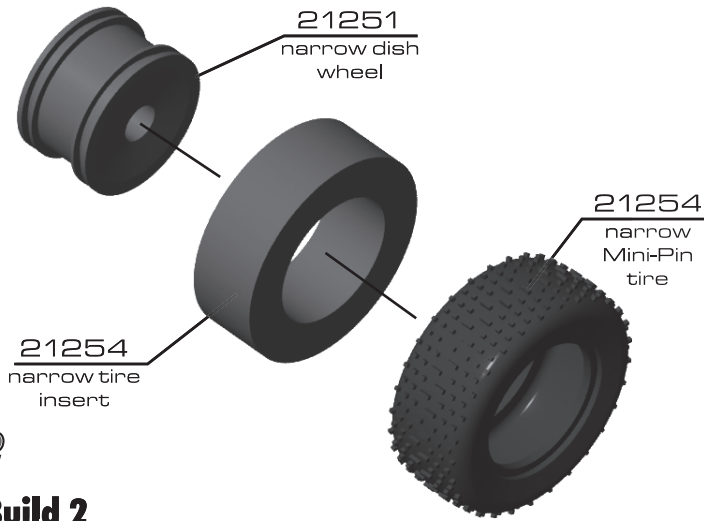


**!**  
Twist clockwise to lock battery strap in place.



**:: RC18B2 Tires and Wheels**

STEP 1



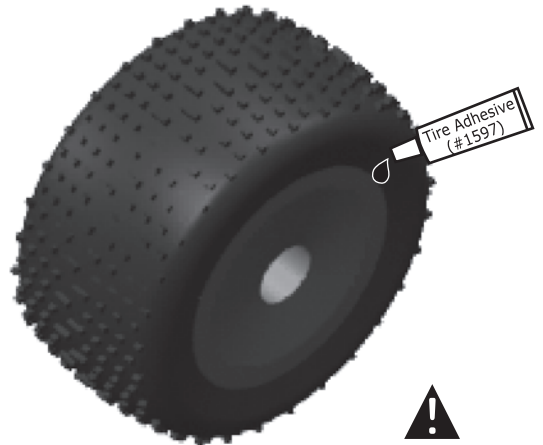
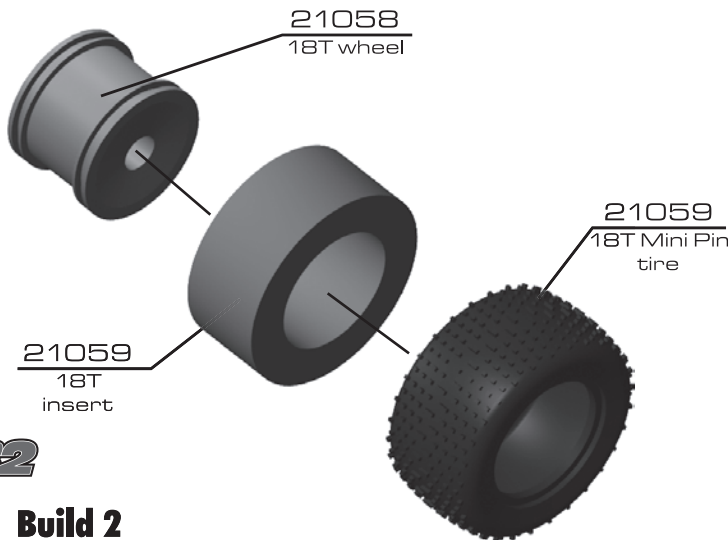
\* Carefully apply tire adhesive to the tire bead on both sides. Glue one side at a time, allowing glue to dry completely before starting the other side.

**RC18B2**

**Front Build 2**

**:: RC18B2 Tires and Wheels (cont.)**

STEP 2



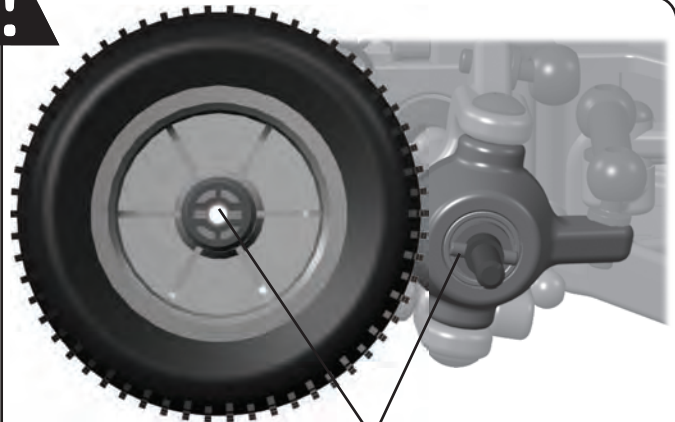
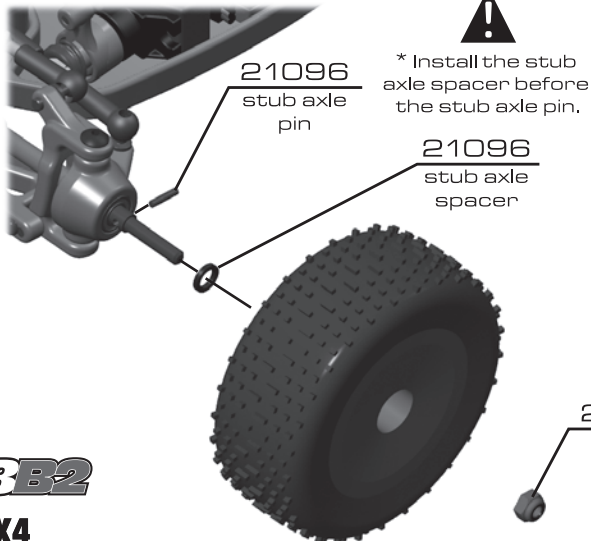
\* Carefully apply tire adhesive to the tire bead on both sides. Glue one side at a time, allowing glue to dry completely before starting the other side.

**RC18B2**

**Rear Build 2**

**:: RC18B2 Tire and Wheels (cont.)**

STEP 3



25215  
M3  
locknut

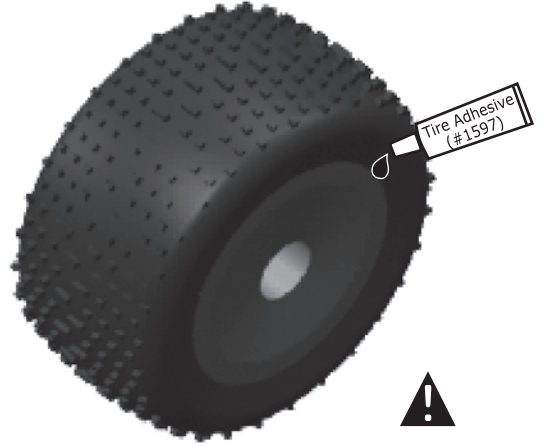
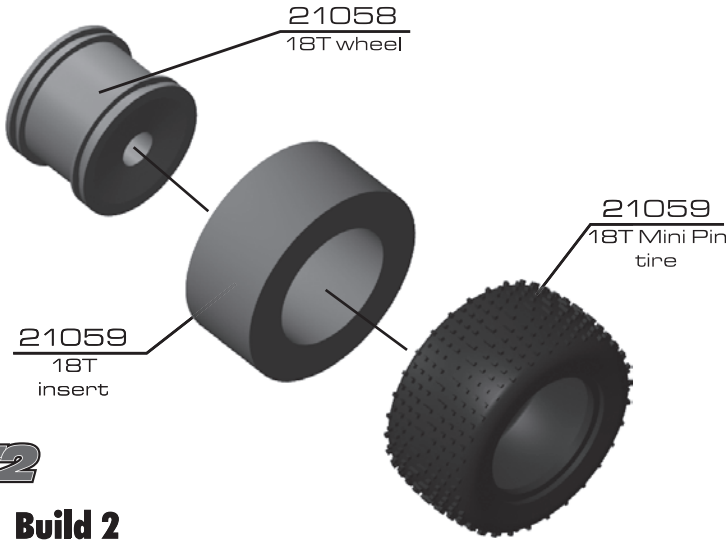
**RC18B2**

**Install X4**



**:: RC18T2 Tires and Wheels**

STEP 1



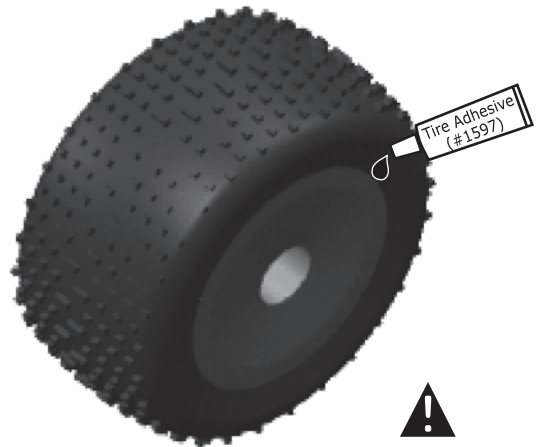
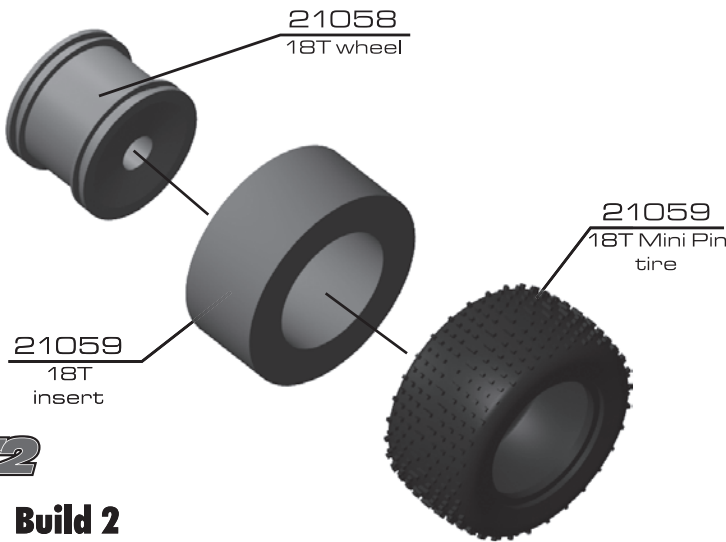
\* Carefully apply tire adhesive to the tire bead on both sides. Glue one side at a time, allowing glue to dry completely before starting the other side.

**RC18T2**

**Front Build 2**

**:: RC18T2 Tires and Wheels (cont.)**

STEP 2



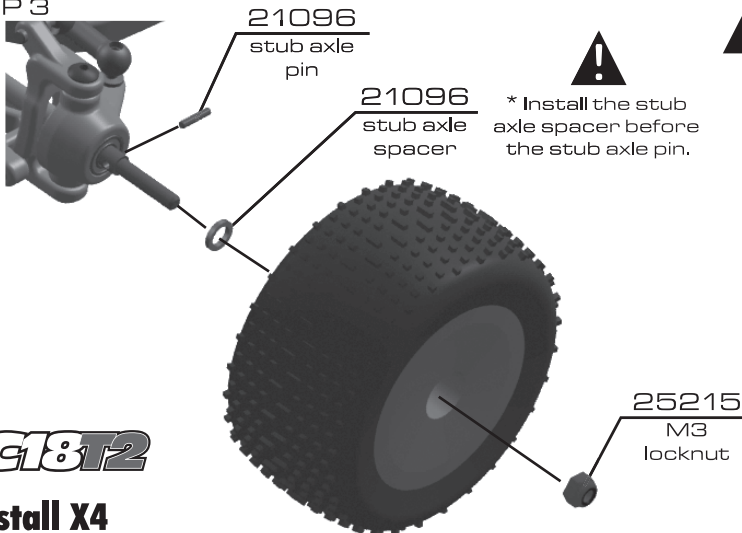
\* Carefully apply tire adhesive to the tire bead on both sides. Glue one side at a time, allowing glue to dry completely before starting the other side.

**RC18T2**

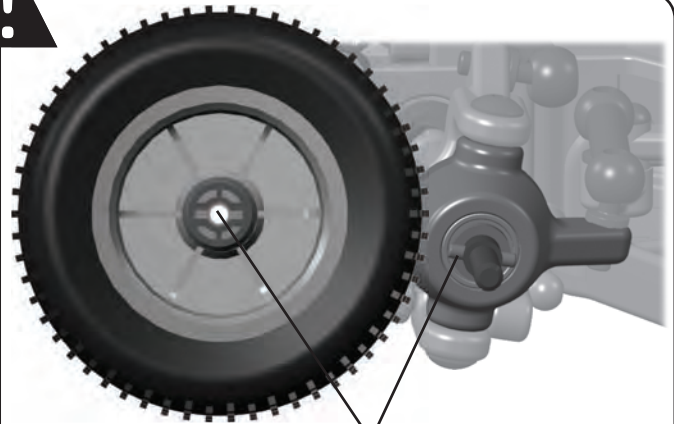
**Rear Build 2**

**:: RC18T2 Tire and Wheels (cont.)**

STEP 3



\* Install the stub axle spacer before the stub axle pin.



**RC18T2**

**Install X4**

**:: Body Install (cont.)**

STEP 1

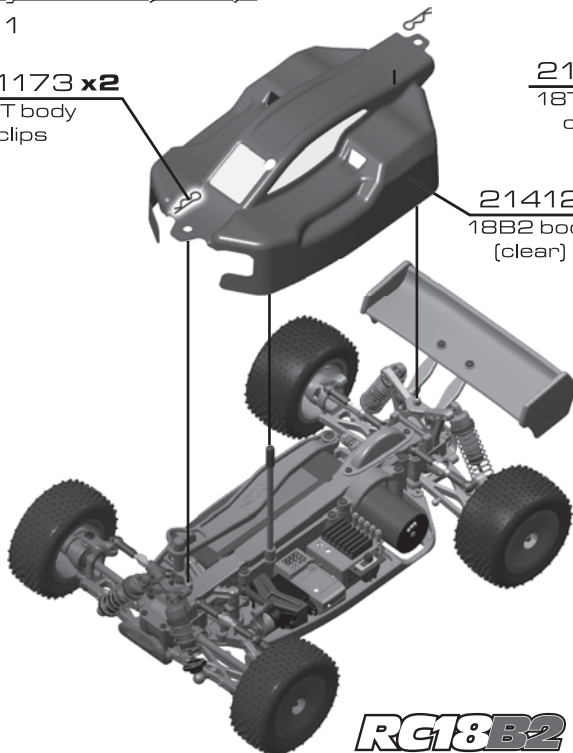
21173 x2  
18T body clips

21173 x3  
18T body clips

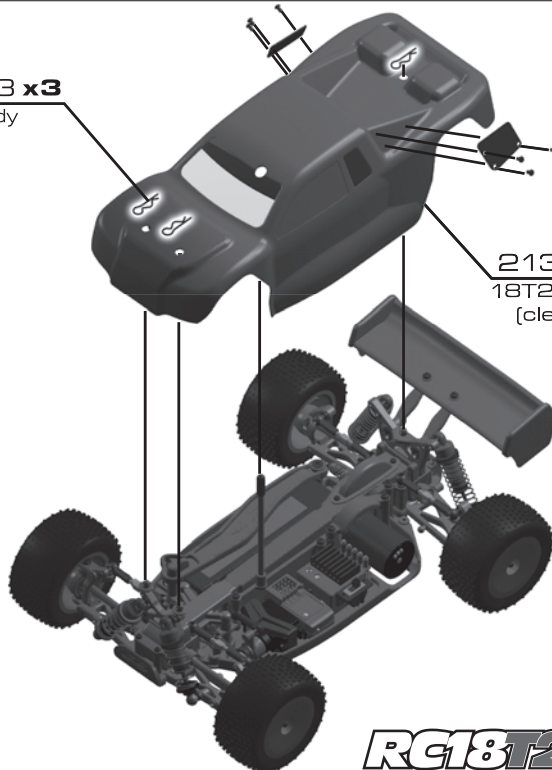
21412  
18B2 body (clear)

21130 x6  
M2x3mm bhps

21340  
18T2 body (clear)



**RC18B2**



**RC18T2**

**:: Shocks**

21182 Shock Caps	4	21191	21182
21185 Spring Retainers	4		21190
21180 18T Rear Shocks	Pr.		
21181 18T Front Shocks	Pr.		
21189 Ballcaps, short	12		21180
21190 Shock Rebuild Kit, rebuilds 4 shocks	Set		21181
21191 18T Shock Accessories	Set		
21197 Front Shock Spring, silver, 2.55 lb/in	Pr.		
21198 Front Shock Spring, blue, 3.0 lb/in (Kit)	Pr.		
21199 Front Shock Spring, gold, 3.45 lb/in	Pr.		
21201 Rear Shock Spring, silver, 1.64 lb/in (Kit)	Pr.		
21202 Rear Shock Spring, blue, 1.90 lb/in	Pr.		
21203 Rear Shock Spring, gold, 2.35 lb/in	Pr.		
21268 18 Series Spring Kit, (6 springs)	Set		

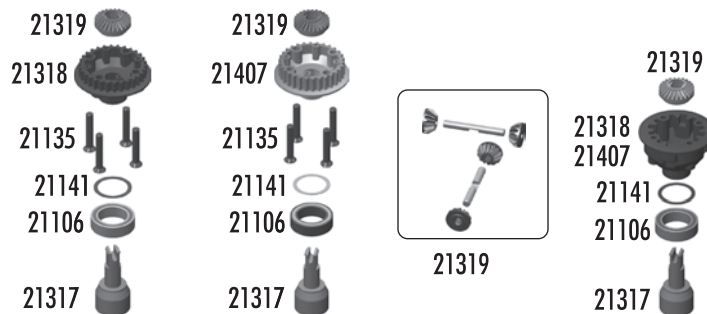
**:: Shock Oil**

5420 10 Weight Silicone Shock Oil	2oz.
5421 20 Weight Silicone Shock Oil	2oz.
5422 30 Weight Silicone Shock Oil	2oz.
5423 40 Weight Silicone Shock Oil	2oz.
5425 80 Weight Silicone Shock Oil	2oz.
5427 15 Weight Silicone Shock Oil	2oz.
5428 25 Weight Silicone Shock Oil	2oz.
5429 35 Weight Silicone Shock Oil	2oz.
5430 45 Weight Silicone Shock Oil	2oz.
5431 55 Weight Silicone Shock Oil	2oz.
5435 50 Weight Silicone Shock Oil	2oz.
5436 60 Weight Silicone Shock Oil	2oz.
5437 70 Weight Silicone Shock Oil	2oz.



**:: Gear Differential**

21106 Bearings, 8x12x3.5mm rubber sealed	Pr.
21135 M2x12mmFHPS	20
21141 Shim Set, .324x.409x.005	4
21317 Gear Diff Outdrives	2
21318 Gear Diff Case, Front (narrow)	Set
21319 Internal Diff Gears	Set
21335 Complete Gear Diff, Front	1
21406 Complete Gear Diff, Rear	1
21407 Gear Diff Case, Rear (wide)	Set



**:: Lubes and Adhesives**

1105 Green Slime Shock Lube	4cc
1596 FT Locking Compound	10ml
1597 FT Tire Adhesive	.70oz
6588 Black Grease	4cc
6591 S. Diff Lube	4cc
6636 Silicone Grease	4cc
6727 Servo Tape Strips	2

