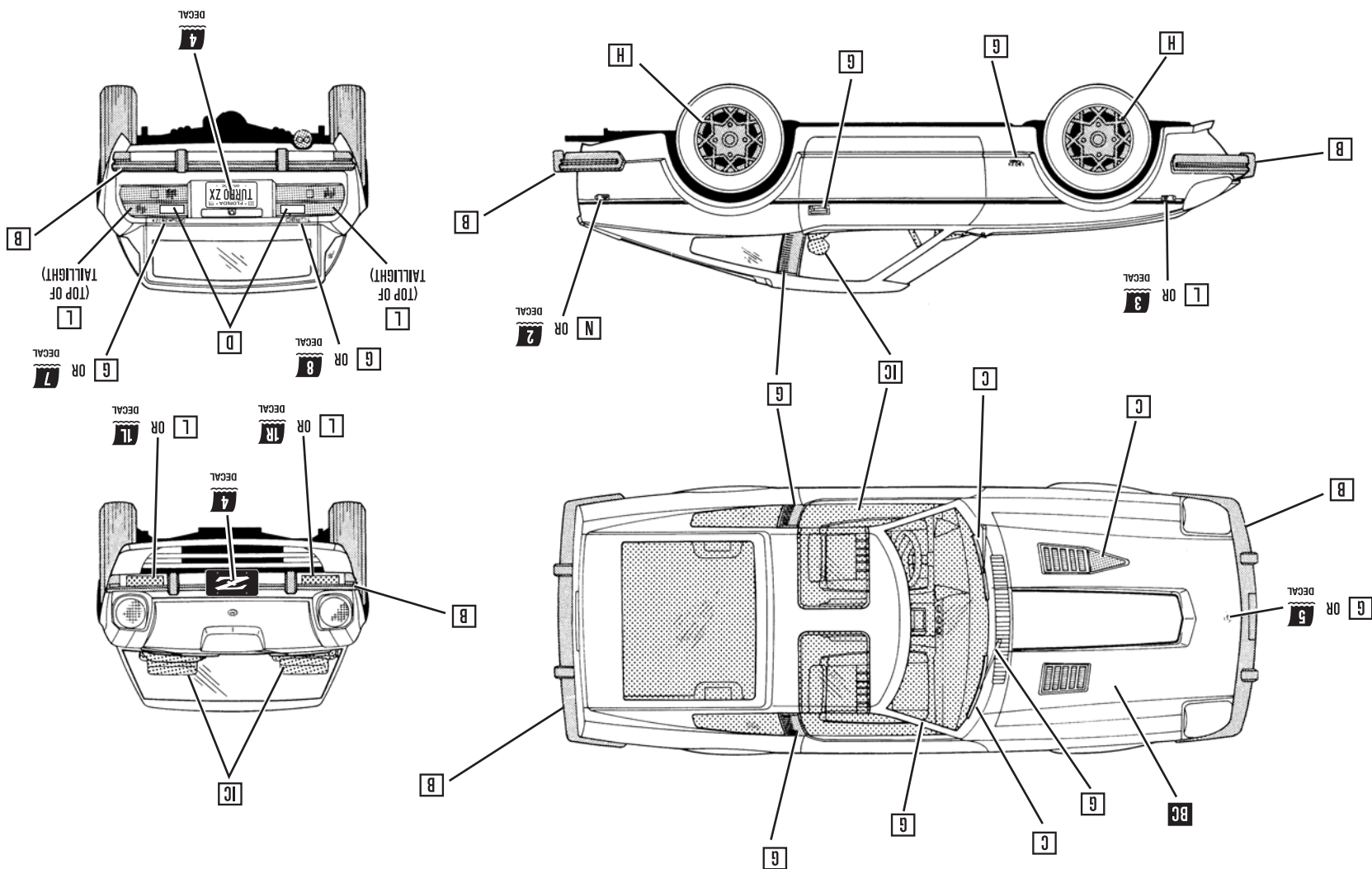


280ZX TURBO



-DATSUN-



-DATSUN-

280ZX TURBO

A1372-200

IMPORTANT! READ THESE POINTS BEFORE YOU BEGIN

- 1 "TEST FIT" all parts before cementing. Trim excess plastic from parts before joining.
- 2 Cement all parts unless otherwise indicated by the instructions.
- 3 Use paint and cement made for styrene plastic only.
- 4 Paint all sub-assemblies before attaching chrome parts.
- 5 Scrape chrome and paint away from surfaces to be cemented together.
- 6 Assemble parts in sequence shown. Each part is identified by a number.



Cement parts together



Repeat several times



Do not cement together



Completed assembly



Optional part provided



Assembly sequence



Apply decal



Part number

PAINT COLORS

A	Black	Q	Yellow
B	Flat Black	R	Tan
C	Semi-Gloss Black	S	Light Brown
D	White	T	Lt. Blue
E	Flat White	U	Med. Blue
F	Silver	V	Dark Blue
G	Chrome (Bright Silver)	W	Dark Brown
H	Aluminum	X	Lt. Green
I	Steel	Y	Woodgrain
J	Brass	Z	Dark Gray
K	Gold	LG	Lt. Gray
L	Amber	IC	Interior Color
M	Transparent Amber	BC	Body Color
N	Red	▲	Semi-Gloss
O	Transparent Red	△	Gloss
P	Orange	▲	Metallic

EXTERIOR COLORS

Mint White, Alpine White, Platinum Metallic, Thunder Black, Diamond Mist Metallic, Medium Gray Metallic, Satin Blue Metallic, Light Brown Metallic, Regatta Red, Regal Red Metallic and Medium Blue Metallic.

INTERIOR COLORS

Black, Tan, Red and Blue.

It is recommended that you search the internet for additional color references and details.

1

(Belts: **B**)
(Pulleys: **A**)

11-12
27, 13, 14-(11, 12)
16-36-14

2

(Belts: **B**)
(Pulleys: **A**)

21, 15, 32-29-1
33, 19-20-23-1
30-23

3

4X

• COUNT TIRES

4

(Door Handles: **F**)

3, 4, 7, 8-10

5

2-5-4
2X 6-9-4

6

2X 47-49
48-45-(47, 47, 49) 37-49

7

38-6

8

35, 34, 28, 31, 302, 303, 300-1
2X 301-1

9

5-8

10

7-(42, 43)-9

11

2-10

12

4X

4X 41-50-11
4X 501-(3)-50

13

22-18-17-12
26-25-12

14

58-13
505-55, 506-54-13
52-58-(13) 24, 504-56-58

15

44, 39, 40-14
46-14

16

53-15
503-57-53
400, 401-15