

am t **new** FROM WANT

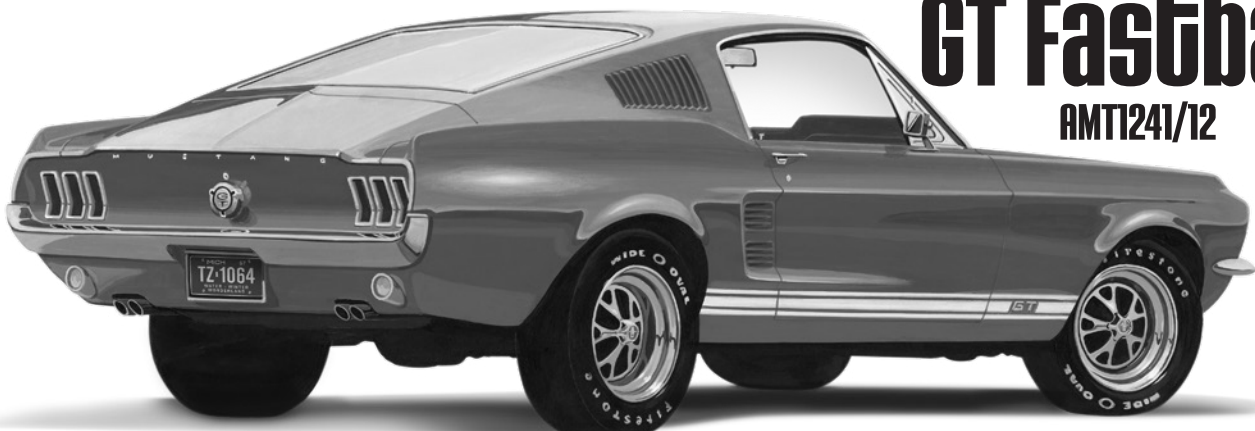
WE GOT THE KITS!



INCLUDES BIKE!

**1929 Woody/
Pickup**
AMT1269M/12

**1967 Mustang
GT Fastback**
AMT1241/12



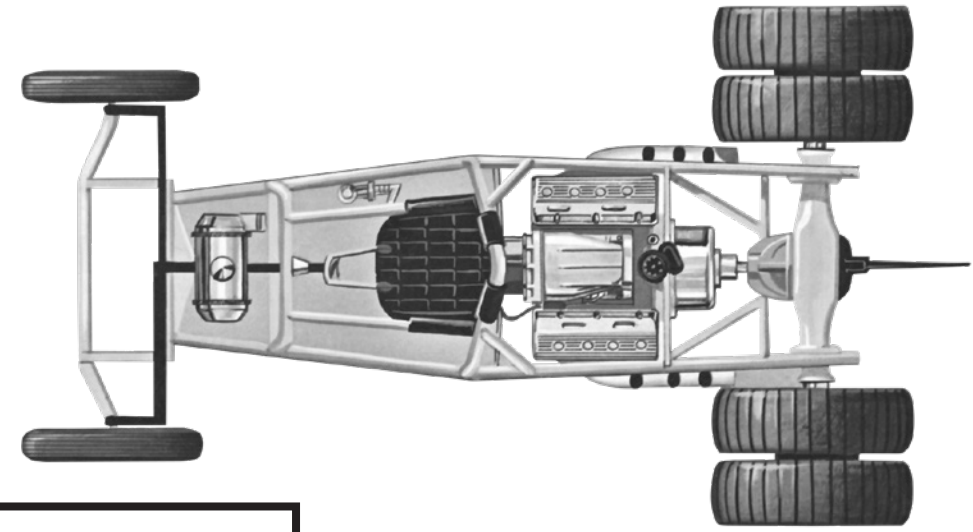
FOR A COMPLETE LIST OF MODEL KITS AND MORE VISIT US @ ROUND2CORP.COM

PAINT COLORS

A Black	F Silver	K Gold	P Orange	U Med. Blue	Z Gray	▲ Gloss Metallic
B Flat Black	G Chrome (Bright Silver)	L Amber	Q Yellow	V Dark Blue	AA Woodgrain	▲ Metallic
C Semi-Gloss Black	H Aluminum	M Transparent Amber	R Tan	W Transparent Blue	IC Interior Color	
D White	I Steel	N Red / Rouge	S Brown	X Lt. Green	BC Body Color	
E Flat White	J Brass	O Transparent Red	T Lt. Blue	Y Dark Green	▲ Semi-Gloss	

am t THE SANDKAT

A1285-200



SPECIAL NOTE

To easily identify parts, the numbers used on this instruction sheet match the numbers shown in the parts drawing on the bottom of the box.

ASSEMBLY 1.

READ THIS BEFORE YOU BEGIN

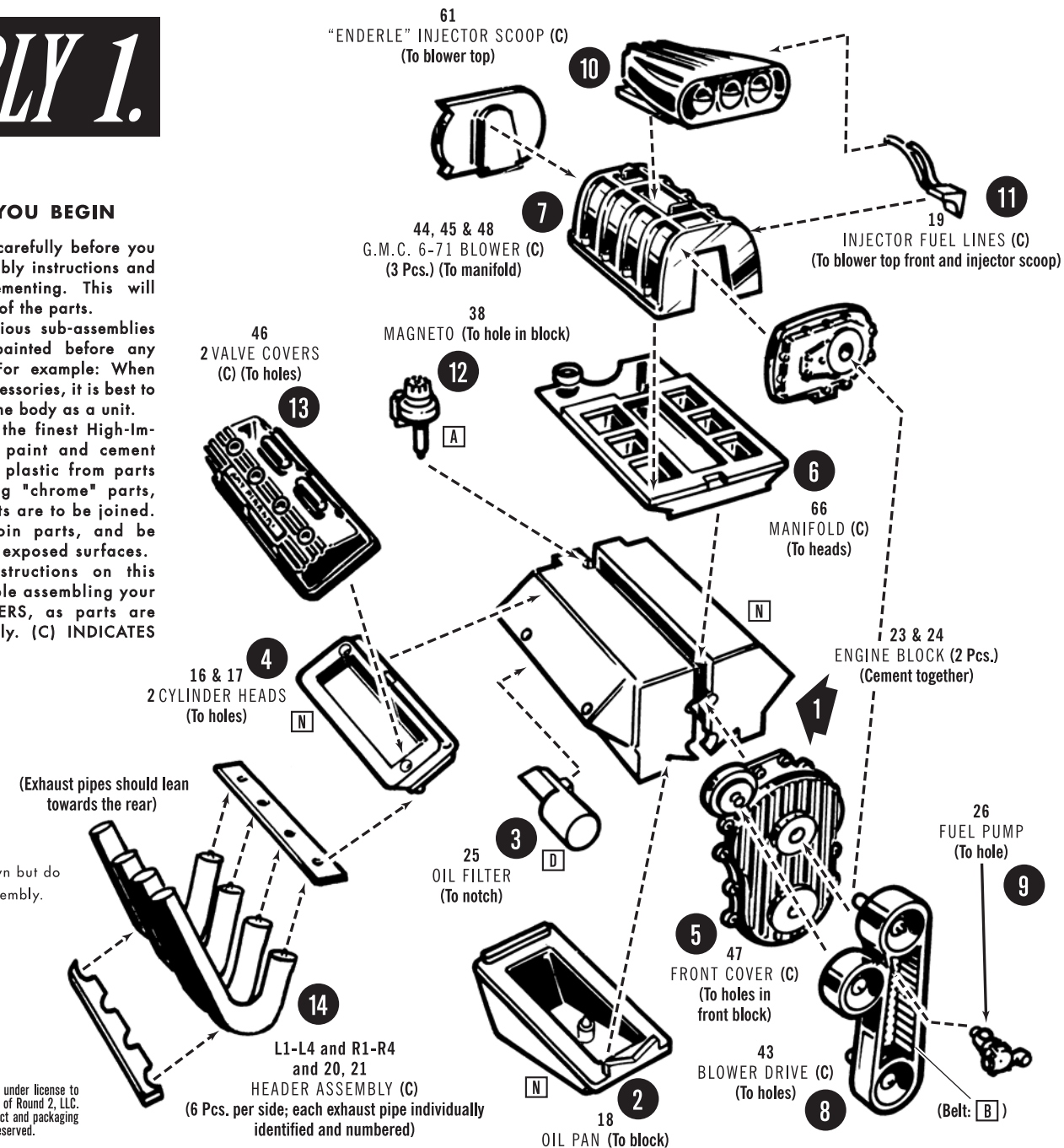
Look over this instruction sheet carefully before you begin building. Follow the assembly instructions and "test-fit" the parts without cementing. This will familiarize you with the location of the parts.

For the best results, the various sub-assemblies and components should be painted before any "chrome" parts are attached. For example: When attaching "non-chrome" body accessories, it is best to cement them in place and paint the body as a unit.

AMT® kits are molded from the finest High-Impact Styrene plastic. Use only paint and cement made for Styrene. Trim excess plastic from parts before joining. When attaching "chrome" parts, scrape plating away where parts are to be joined. Use just enough cement to join parts, and be careful not to smear cement on exposed surfaces.

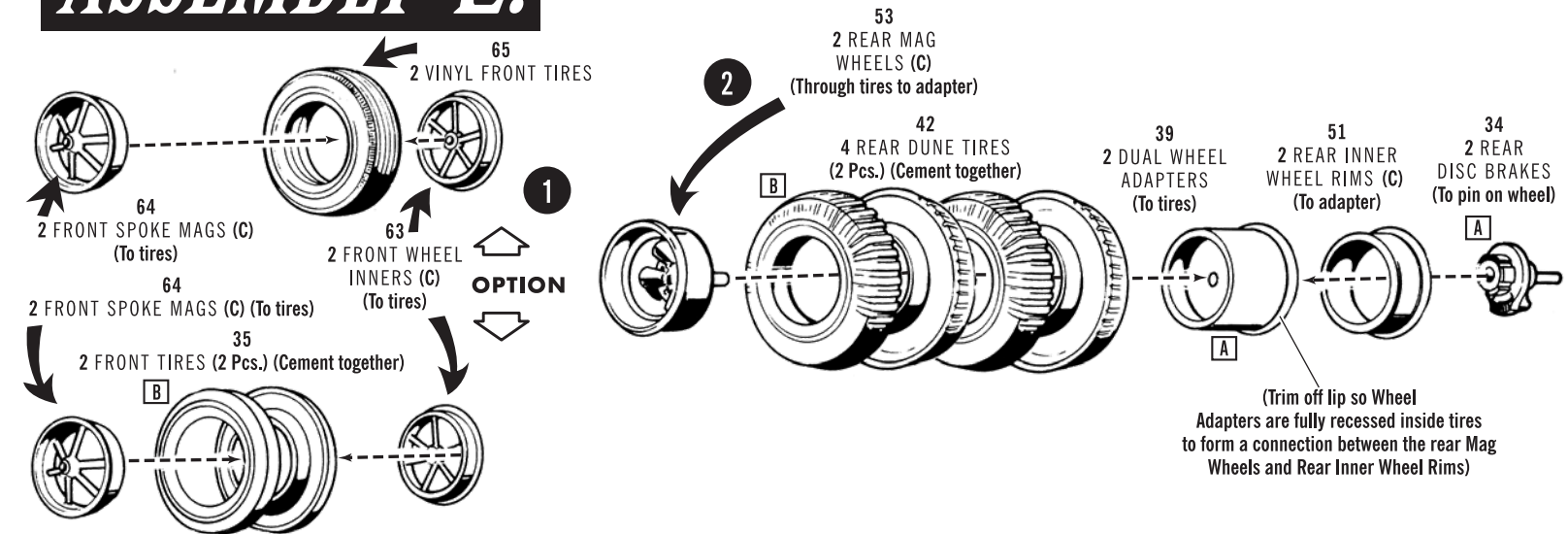
Built according to the instructions on this sheet, you should have no trouble assembling your kit. Just FOLLOW THE NUMBERS, as parts are numbered in order of assembly. (C) INDICATES "CHROME" PARTS.

NOTE: Assemble headers as shown but do not locate to engine until final assembly.

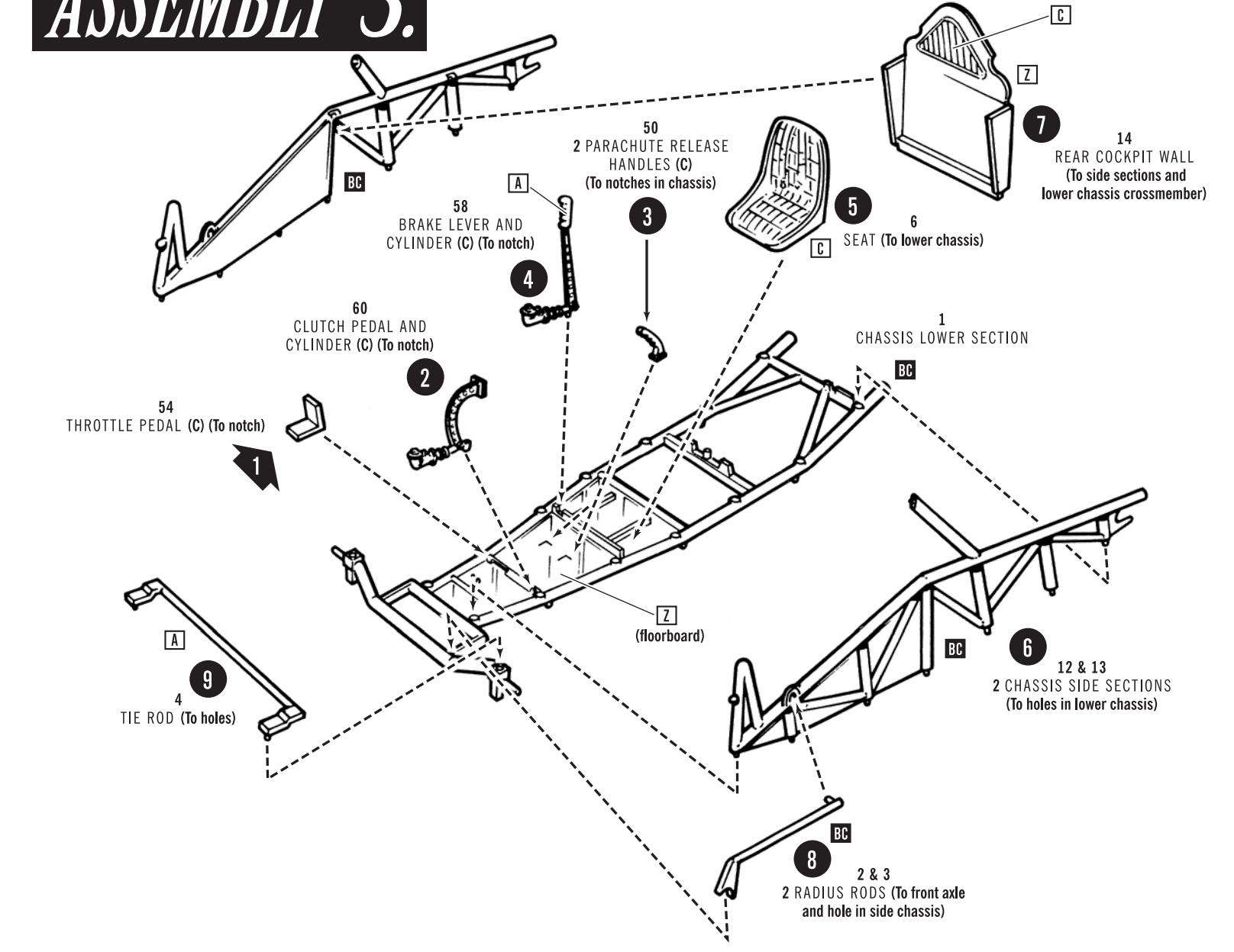


Ford Motor Company Trademarks and Trade Dress used under license to Round 2, LLC. AMT and design is a registered trademark of Round 2, LLC. ©2021 Round 2, LLC, South Bend, IN 46628 USA. Product and packaging designed in the USA. Made in China. All rights reserved.

ASSEMBLY 2.



ASSEMBLY 3.



ASSEMBLY 4.

NOTE: Extra parts included in kit.

