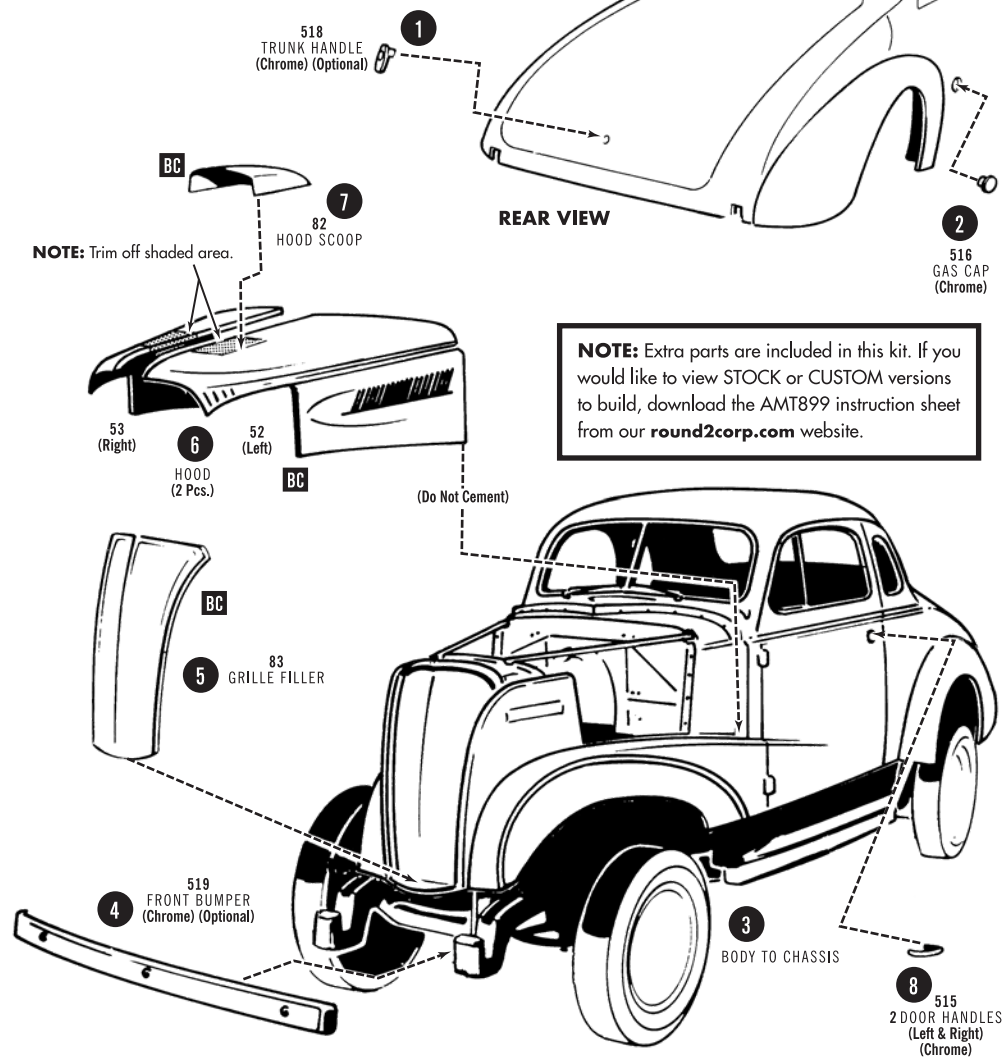


# FINAL ASSEMBLIES



**NOTE:** Extra parts are included in this kit. If you would like to view STOCK or CUSTOM versions to build, download the AMT899 instruction sheet from our [round2corp.com](http://round2corp.com) website.

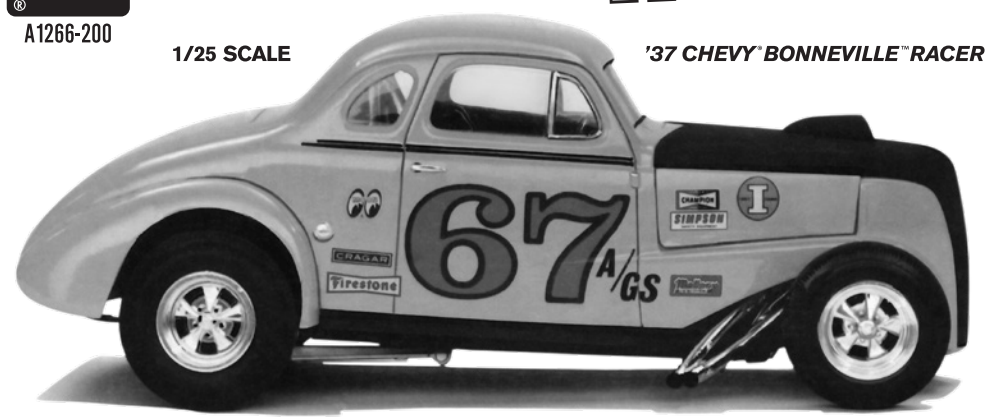


A1266-200

# SALT SHAKER

1/25 SCALE

'37 CHEVY BONNEVILLE™ RACER



## IMPORTANT! READ THESE POINTS BEFORE YOU BEGIN

- 1 "TEST FIT" all parts before cementing. Trim excess plastic from parts before joining.
- 2 Cement all parts unless otherwise indicated by the instructions.
- 3 Use paint and cement made for styrene plastic only.
- 4 Paint all sub-assemblies before attaching chrome parts.
- 5 Scrape chrome and paint away from surfaces to be cemented together.
- 6 Follow all of the numbers on the instruction sheet beginning with number one.

\*\*\*\*\*

## TOOLS

**IMPORTANT NOTE:** Do not remove parts from runners until ready to use.

<p><b>TWEEZERS</b> TO PLACE, PICK UP AND HOLD SMALL PARTS.</p>	<p><b>KNIFE</b> TO REMOVE AND TRIM PARTS. <b>FILE</b> TO REMOVE EXCESS PLASTIC.</p>	<p><b>PAINT BRUSH</b> TOOTH PICK</p>	<p><b>CEMENT</b> USE TOOTH PICK PAINT BRUSH OR PIN TO APPLY IT.</p>	<p><b>TAPE, RUBBER BAND AND CLOTHES PINS</b> TO CLAMP AND HOLD PARTS UNTIL THEY ARE DRY.</p>
--	---	--	---	--

**new**  
**FROM**  
**amt**  
**1929 Woody/Pickup**



AMT1269M/12

FOR A COMPLETE LIST OF MODEL HITS AND MORE VISIT US @ [ROUND2CORP.COM](http://ROUND2CORP.COM)

## PAINT COLORS

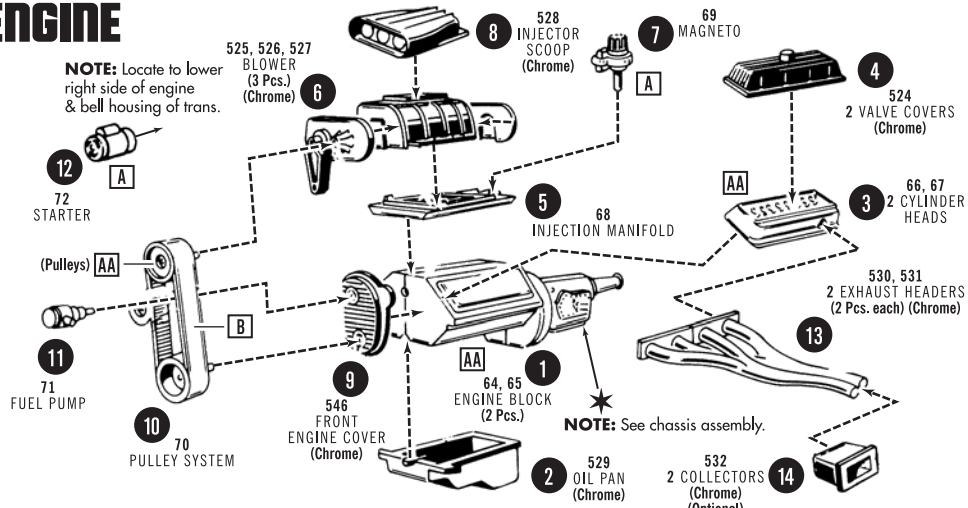
<b>A</b> Black	<b>I</b> Steel	<b>Q</b> Yellow	<b>Y</b> Dark Green
<b>B</b> Flat Black	<b>J</b> Brass	<b>R</b> Tan	<b>Z</b> Gray
<b>C</b> Semi-Gloss Black	<b>K</b> Gold	<b>S</b> Brown	<b>AA</b> Chevy® Orange
<b>D</b> White	<b>L</b> Amber	<b>T</b> Lt. Blue	<b>IC</b> Interior Color
<b>E</b> Flat White	<b>M</b> Transparent Amber	<b>U</b> Med. Blue	<b>BC</b> Body Color
<b>F</b> Silver	<b>N</b> Red	<b>V</b> Dark Blue	▲ Semi-Gloss
<b>G</b> Chrome (Bright Silver)	<b>O</b> Transparent Red	<b>W</b> Transparent Blue	△ Gloss
<b>H</b> Aluminum	<b>P</b> Orange	<b>X</b> Lt. Green	▲ Metallic

See box art for additional painting instructions. It is recommended that you search the internet for additional color references and details.

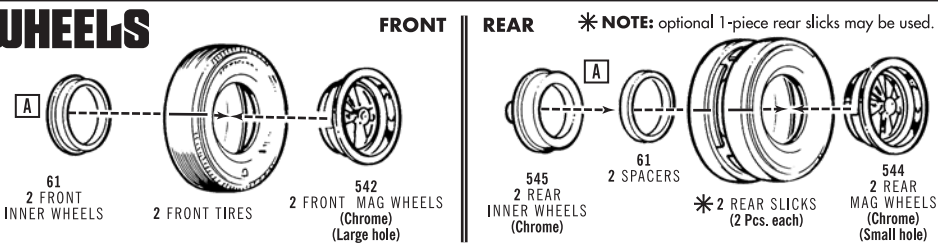


GENERAL MOTORS Trademarks used under license to Round 2, LLC. Ford Motor Company Trademarks and Trade Dress used under license to Round 2, LLC. Firestone and the F Shield Logo are registered trademarks of Bridgestone Brands, LLC and are used with permission. AMT and design is a registered trademark of Round 2, LLC. ©2021 Round 2, LLC, South Bend, IN 46628 USA. Product and packaging designed in the USA. Made in China. All rights reserved.

# ENGINE



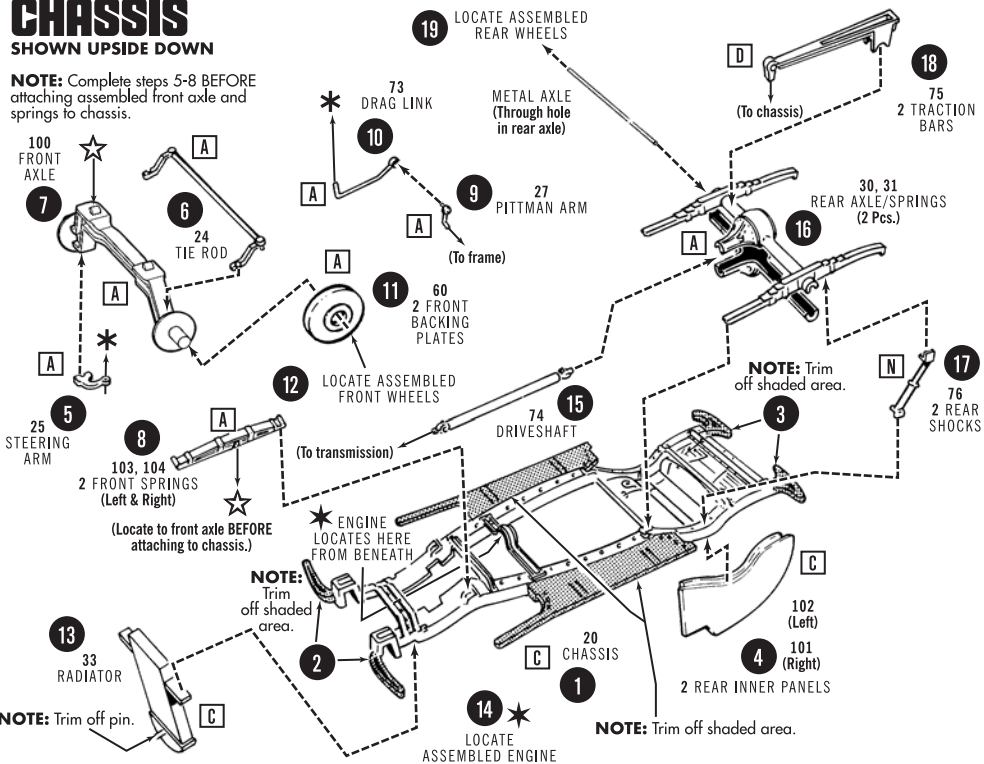
# WHEELS



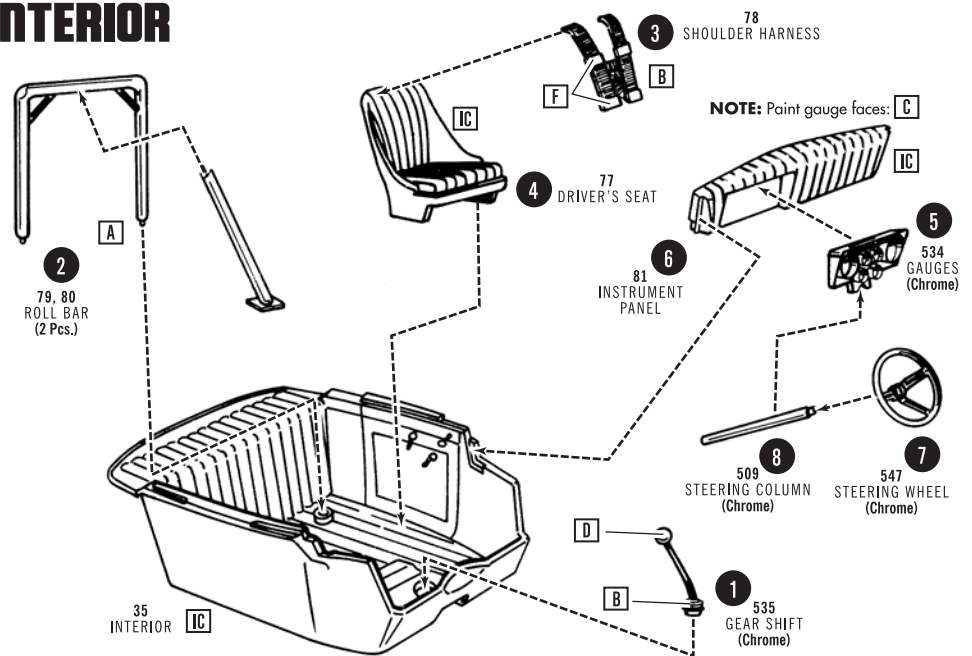
# CHASSIS

SHOWN UPSIDE DOWN

**NOTE:** Complete steps 5-8 BEFORE attaching assembled front axle and springs to chassis.



# INTERIOR



# BODY

