

# BATMOBILE

A1240-200



1/25 SCALE GLUE-TOGETHER MODEL KIT  
SKILL LEVEL 2 • AGES 10 & UP



BATMAN  
FOREVER

## GENERAL ASSEMBLY

- Before assembling model, study diagram carefully.
- For best results, assemble model exactly in the order indicated.
- Take time to familiarize yourself with all the parts and their corresponding part numbers.
- Carefully cut the parts from the plastic tree supports and remove any burrs.

## GLUING TIPS

- This kit is molded from the finest high-impact styrene plastic - use only cement or glue compatible with styrene.
- Test-fit parts before cementing together to familiarize yourself with their assembly, noting the points where cement is to be applied.
- Apply cement to inside surfaces only; avoid getting cement on outer surfaces of parts.
- Use cement sparingly, and avoid getting it on your hands, so as not to mar plastic surfaces
- Remove chrome plating from part surfaces being cemented. Some cements will not stick to chrome plating.
- Do not hurry. Work carefully and patiently.

## PAINTING GUIDE

Paint is not required to complete this model but it is an option for the builder. For best results when painting, use only high quality paints designed specifically for use on plastic model kits. For the benefit of young modelers, Model Master acrylic paints are suggested.

[round2models.com](http://round2models.com)

[collectormodel.com](http://collectormodel.com)

## KEY TO SYMBOLS

- |                        |                 |
|------------------------|-----------------|
| 1 Opaque Plastic Part  | 2 Paint Code    |
| 101 Chrome Part        | 17 Decal Number |
| 201 Clear Plastic Part | Do Not Glue     |

- |                      |                |
|----------------------|----------------|
| 1 - SEMI-GLOSS BLACK | 5 - GOLD       |
| 2 - GLOSS BLACK      | 6 - LIGHT BLUE |
| 3 - FLAT BLACK       | 7 - FLAT WHITE |
| 4 - SILVER           |                |

Paints listed here are suggestions to match colors already applied to the model. Modelers may choose to research the colors further to find colors that satisfy their own judgement.

SKILL  
**2**  
LEVEL

Contents include: All plastic pieces and metal axle to complete model, full color cardboard backdrop and assembly instructions.



Round 2, LLC  
4073 Meghan Beeler Ct.  
South Bend, IN 46628



International Hobbycraft (UK) Ltd.  
21 St. Thomas St.  
Bristol BS1 6JS England

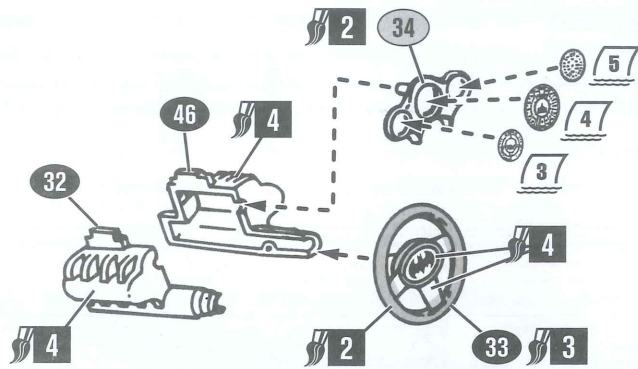


BATMAN FOREVER and all related characters and elements © & ™ DC Comics and Warner Bros. Entertainment Inc. WB SHIELD: © & ™ WBEI. (s21)

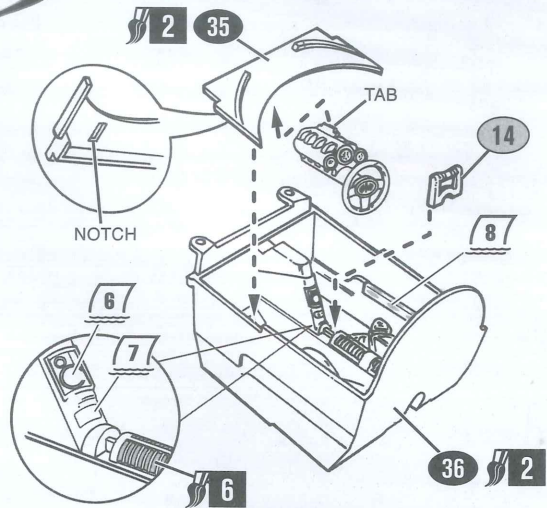
AMT and ROUND 2 and design are trademarks of Round 2, LLC. ©2021 Round 2, LLC, South Bend, IN 46628 USA. Product made in the USA. Packaging, instructions and decals printed in China. All rights reserved.

1

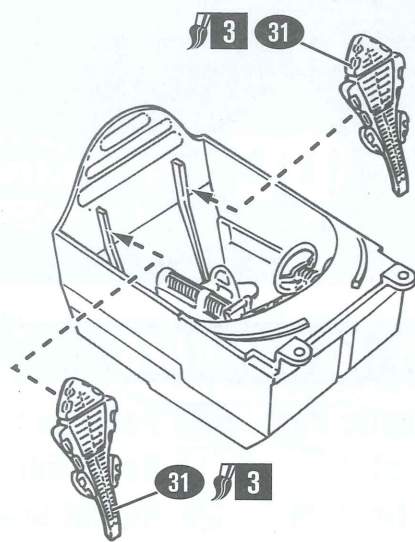
UNLESS STATED OTHERWISE PARTS SHOULD BE PAINTED  
1 SEMI-GLOSS BLACK OR LEFT UNPAINTED



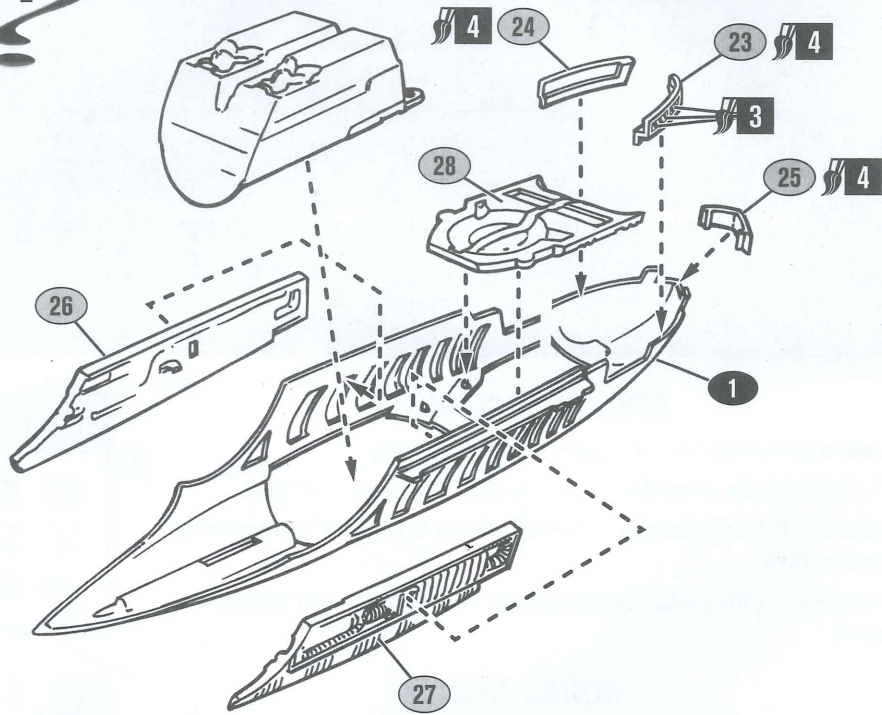
2



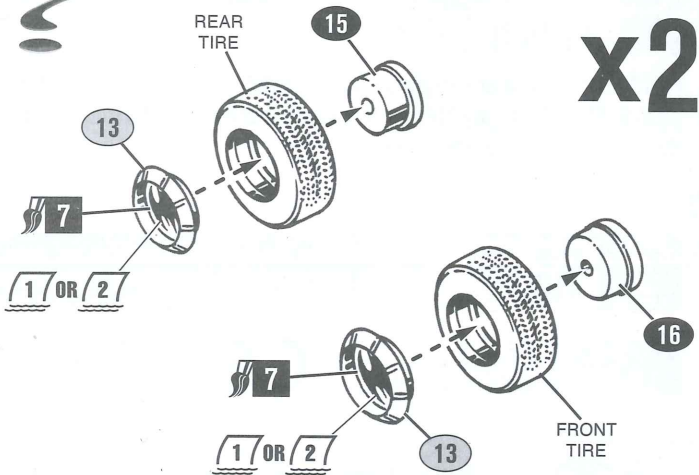
3



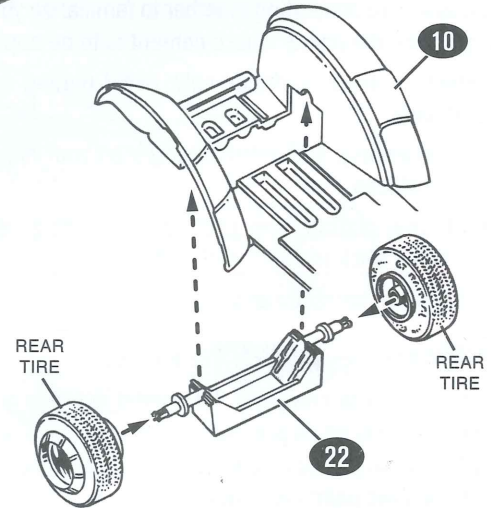
4



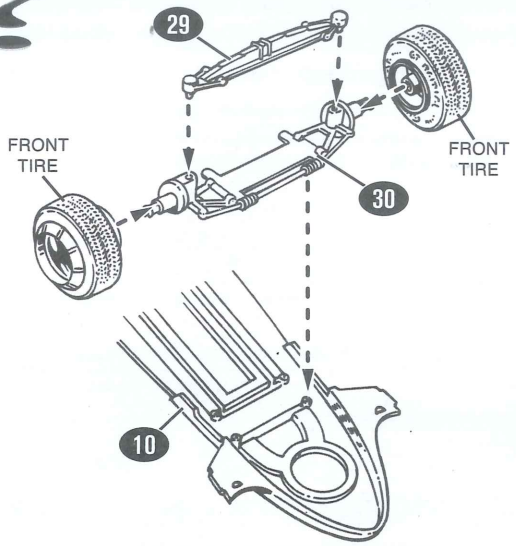
5



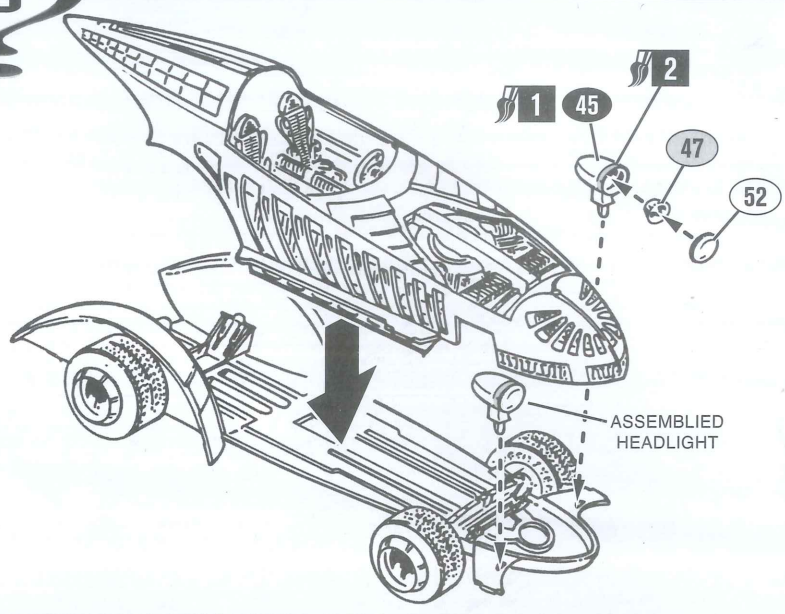
6



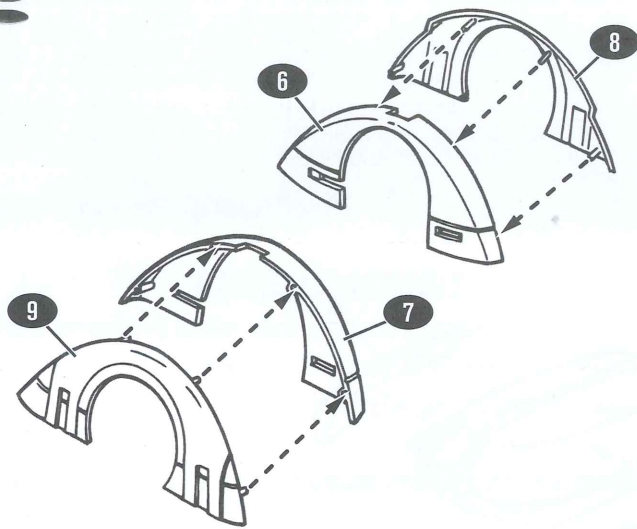
7



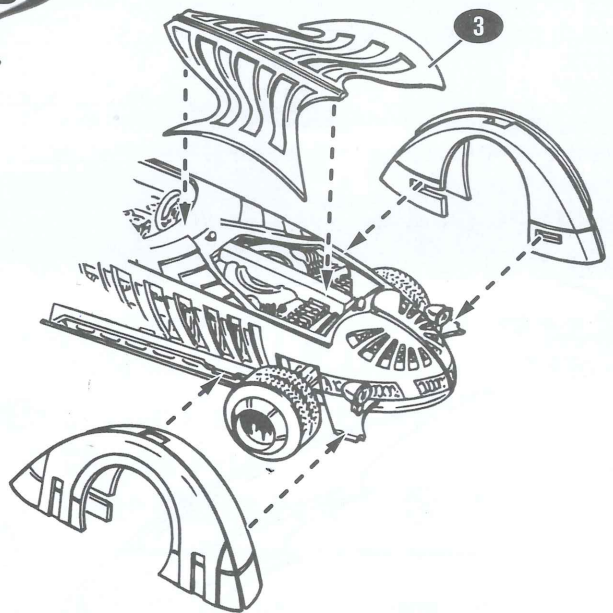
8



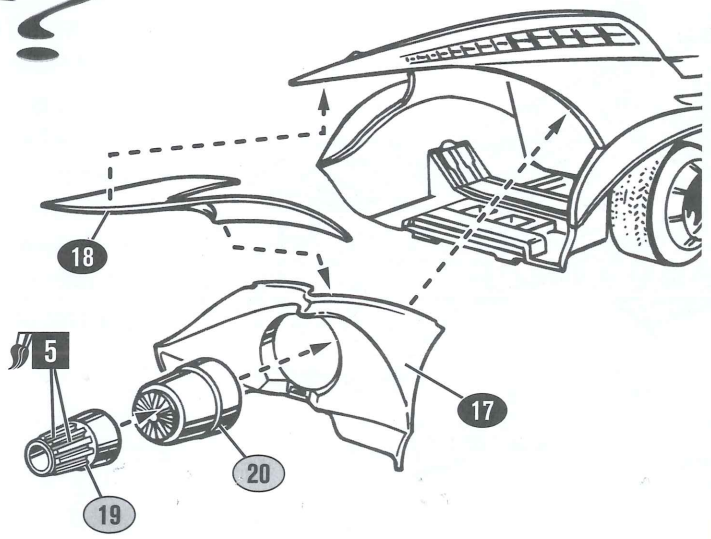
9



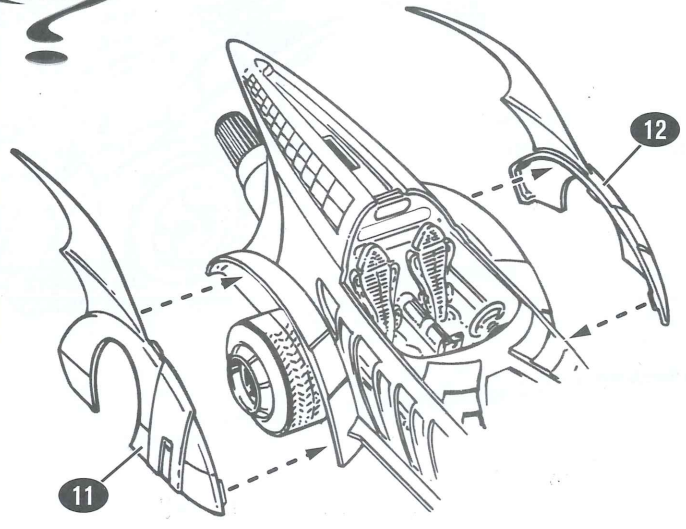
10



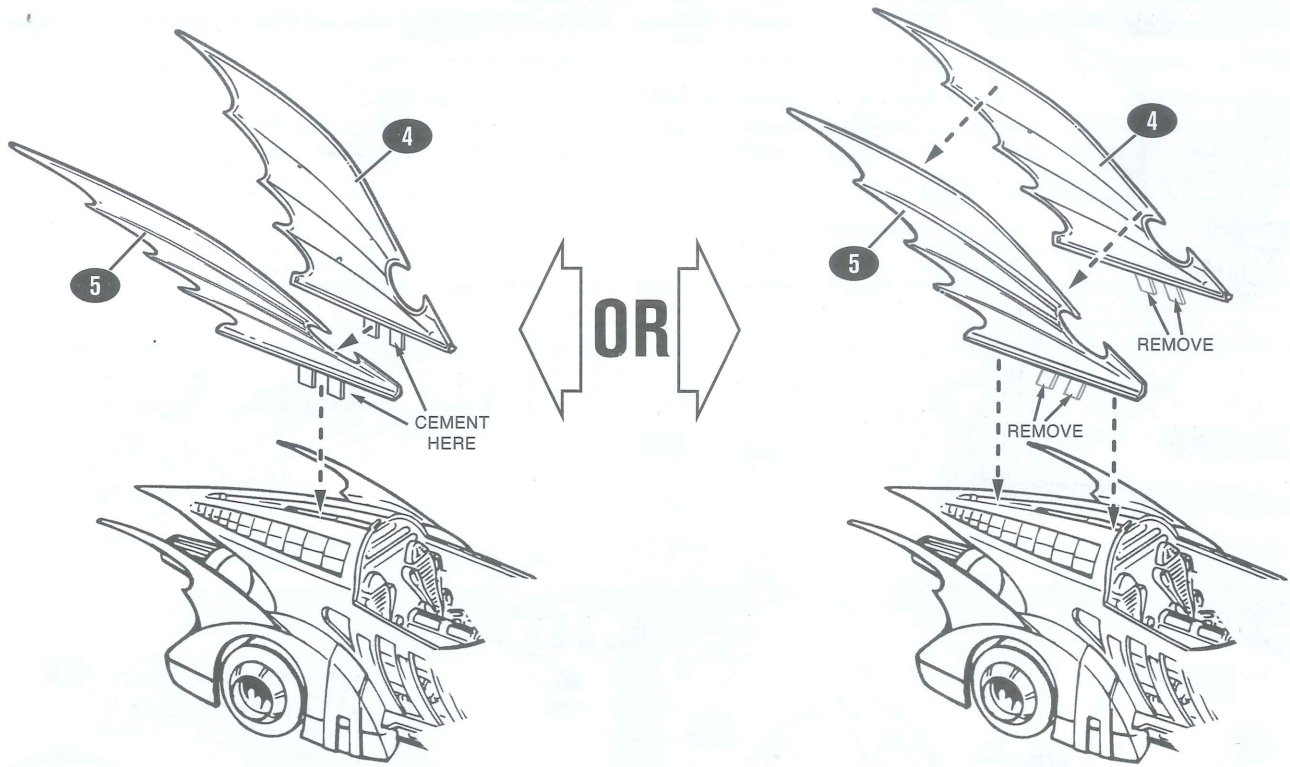
11



12



13



14

