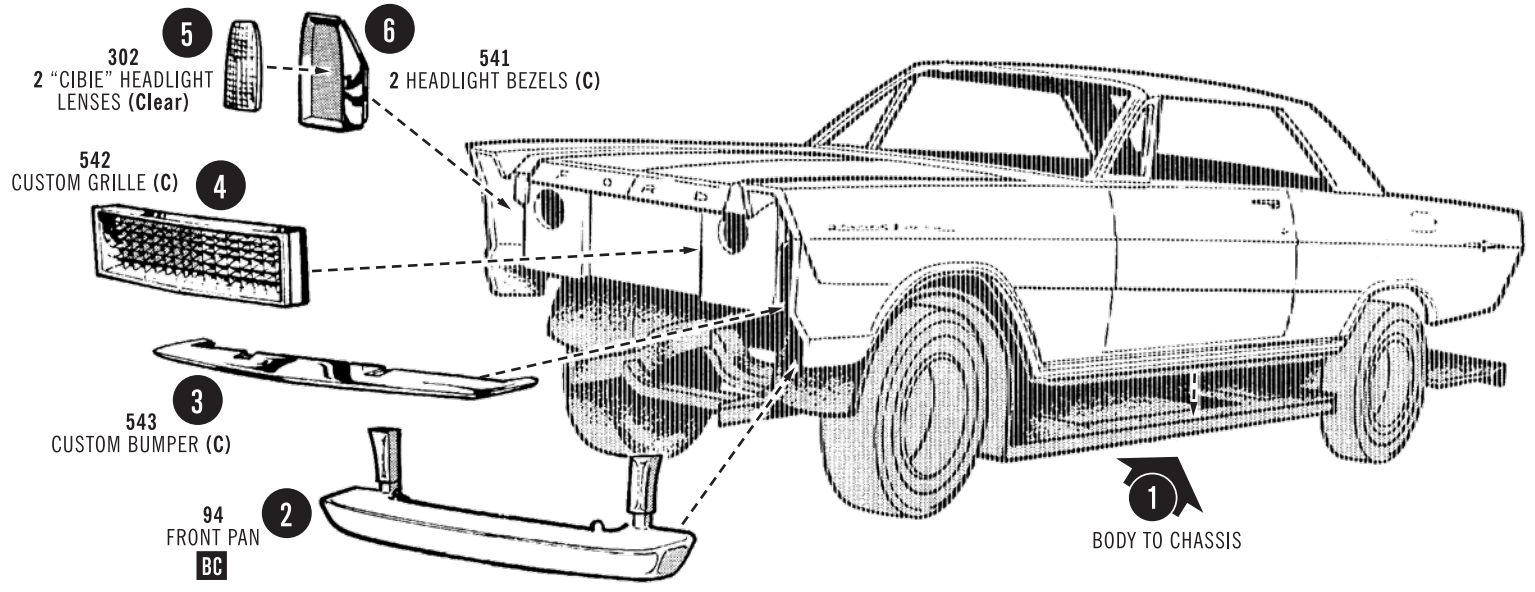
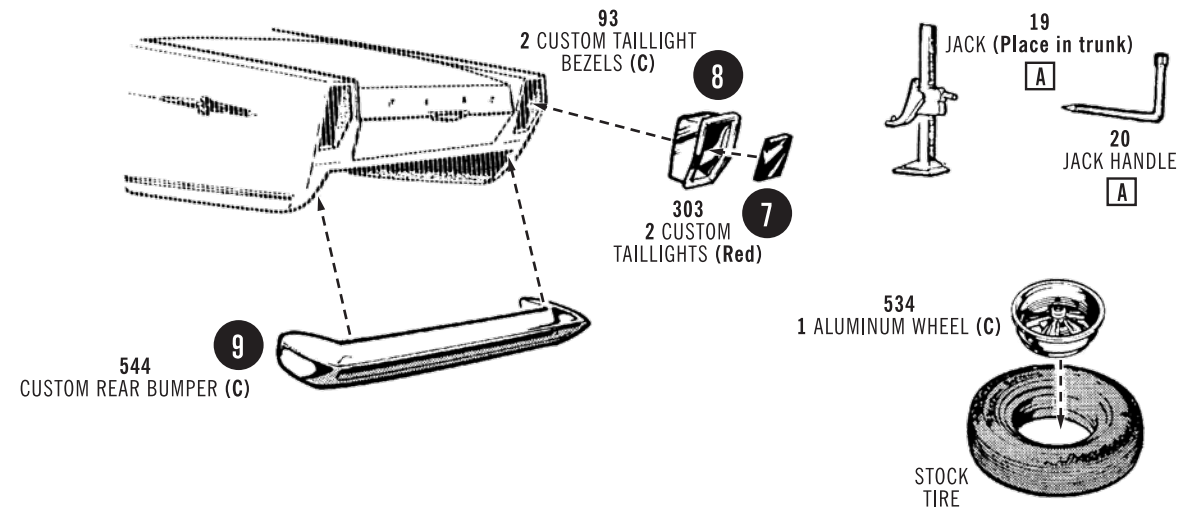


custom



JOLY GASSER

BREWER

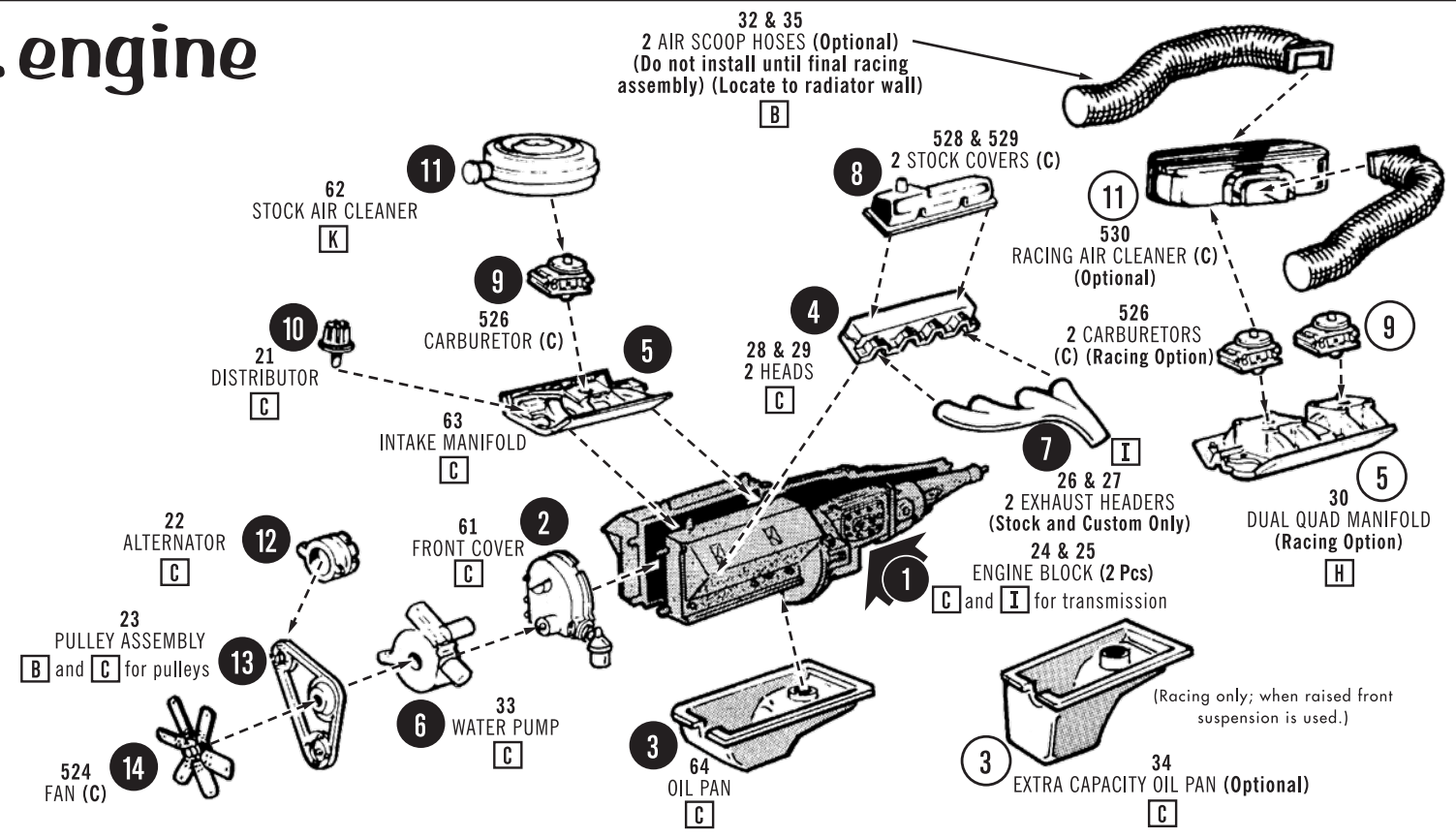
READ THIS BEFORE YOU BEGIN

This kit may be built ONE OF THREE WAYS. Look over this instruction sheet carefully before you begin building. You may decide to combine parts from the different versions shown, or use parts from other AMT® kits for a really personalized model. After you've planned your car, follow the assembly instructions WITHOUT CEMENTING the parts together. This will familiarize you with the fit and location of parts.

For the neatest job, the various sub-assemblies and components should be painted before any chrome parts are attached. For example: in building the custom version, all non-chrome parts such as scoops, pans, skirts, etc. (except the clear window assembly) should be cemented in place and the body should then be painted as a unit for a smooth, professional-looking finish.

AMT® kits are molded from the finest high-impact styrene plastic. Use only paint and cement made for styrene plastic. Trim off any excess plastic before cementing parts together. When attaching CHROME parts (indicated by "C" after part names), scrape plating away where cement is to be applied. Use just enough cement to join plastic parts, and be especially careful not to smear cement on exposed surfaces.

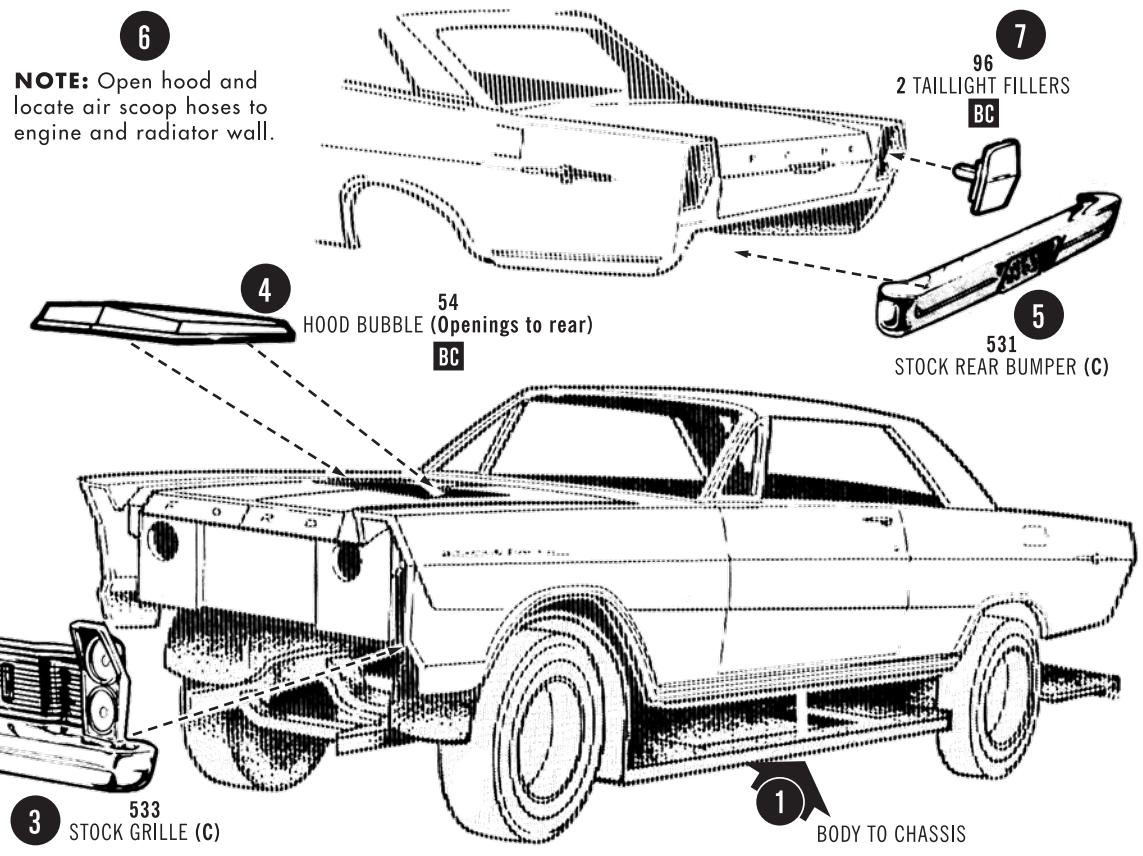
1. engine



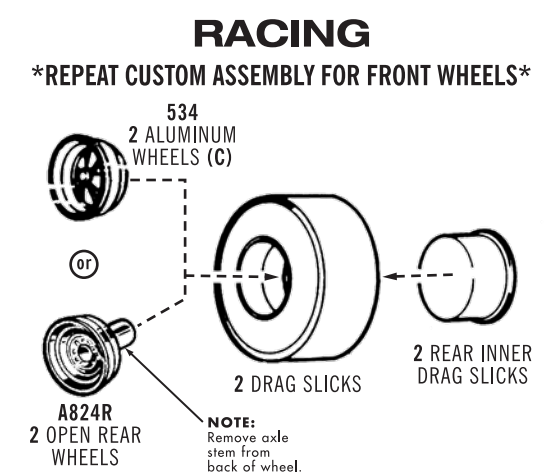
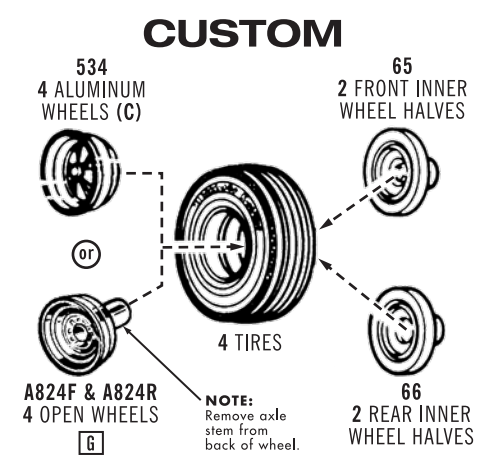
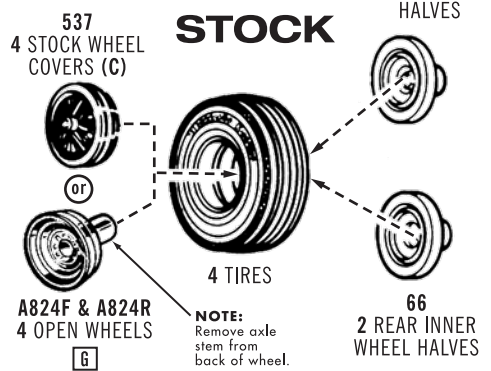
racing

PAINT COLORS

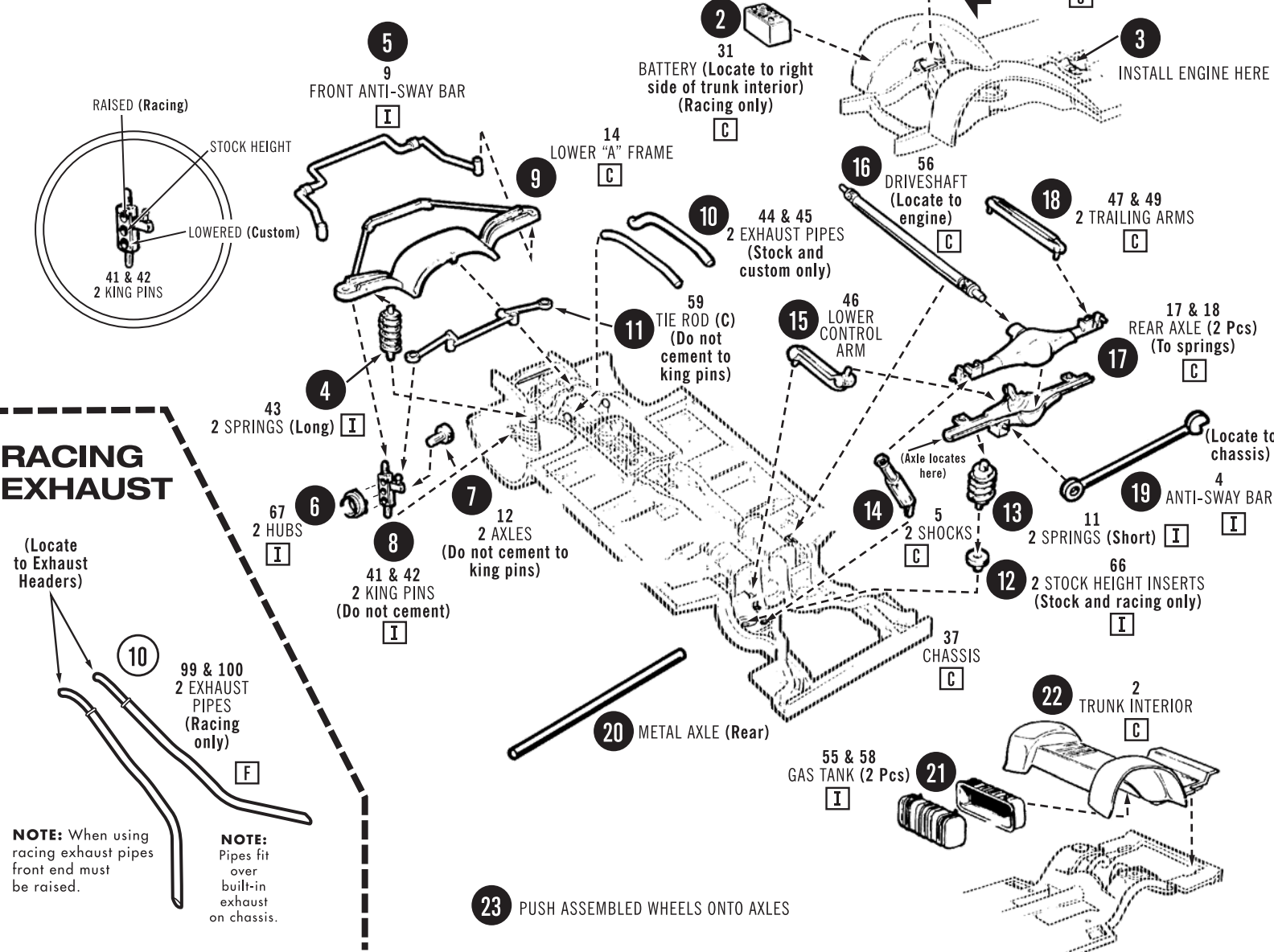
| | | | |
|---|------------------------|----|------------------|
| A | Black | Q | Yellow |
| B | Flat Black | R | Tan |
| C | Semi-Gloss Black | S | Brown |
| D | White | T | Lt. Blue |
| E | Flat White | U | Med. Blue |
| F | Silver | V | Dark Blue |
| G | Chrome (Bright Silver) | W | Transparent Blue |
| H | Aluminum | X | Lt. Green |
| I | Steel | Y | Dark Green |
| J | Brass | Z | Gray |
| K | Gold | AA | Purple |
| L | Amber | BB | Pink |
| M | Transparent Amber | BC | Body Color |
| N | Red | | Semi-Gloss |
| O | Transparent Red | | Gloss |
| P | Orange | | Metallic |



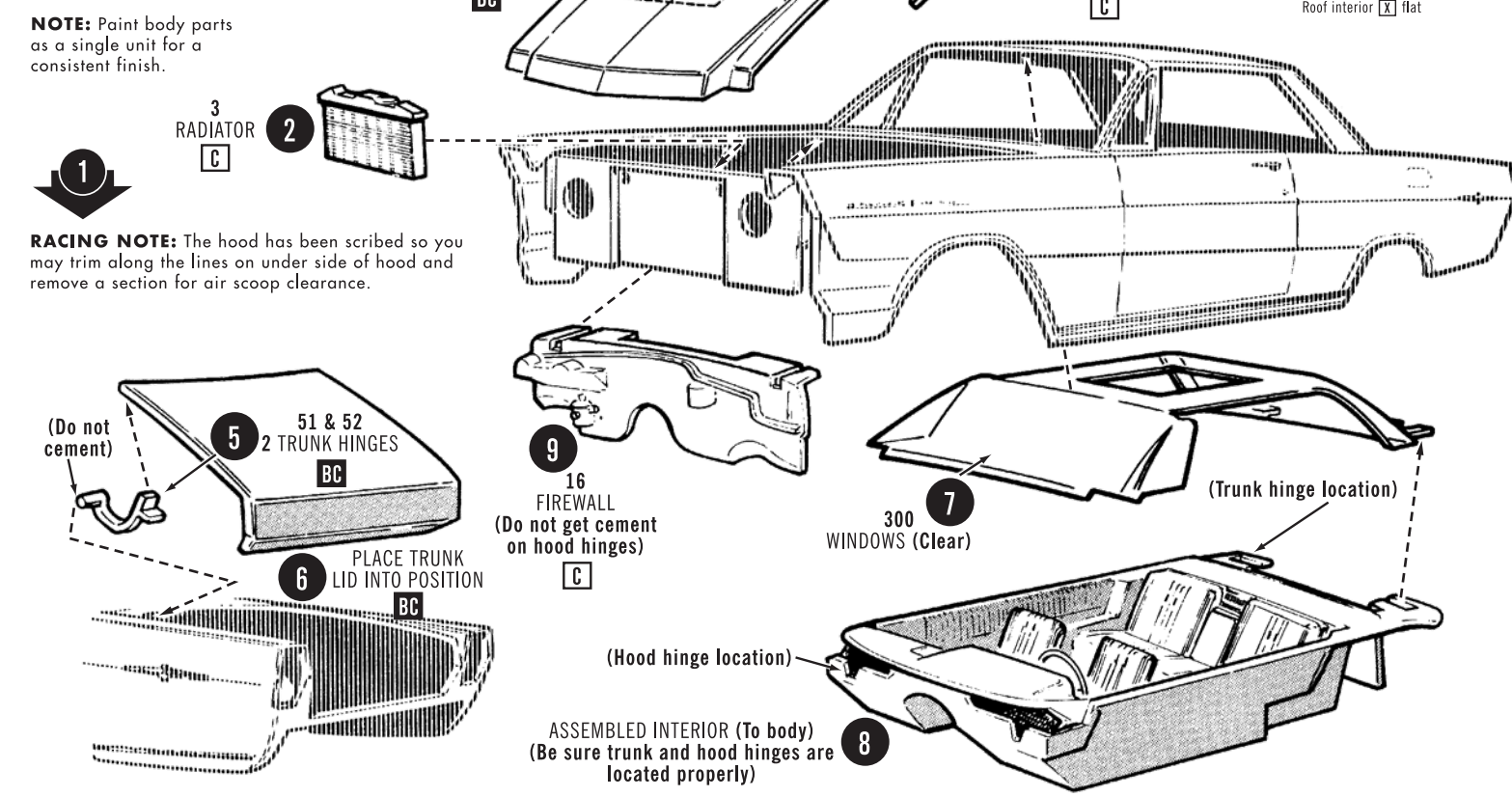
2. wheels



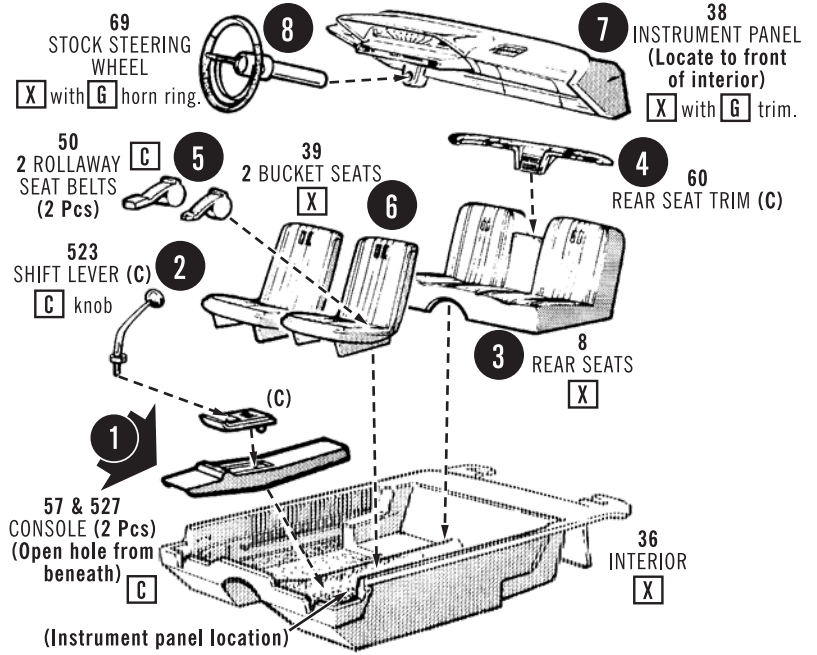
2. chassis



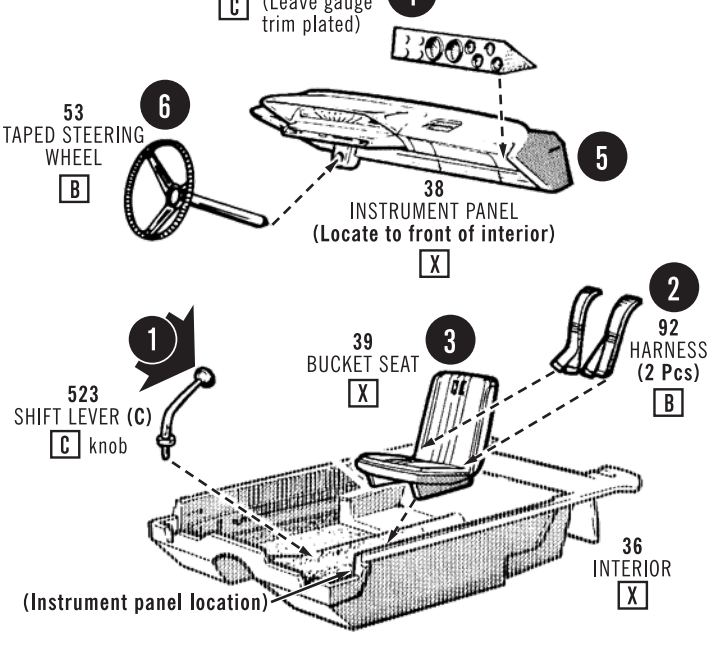
4. body



3. interior



RACING



stock

