



AUTHENTIC 1/32
SCALE MODEL



'32 FORD

Three Window Coupe

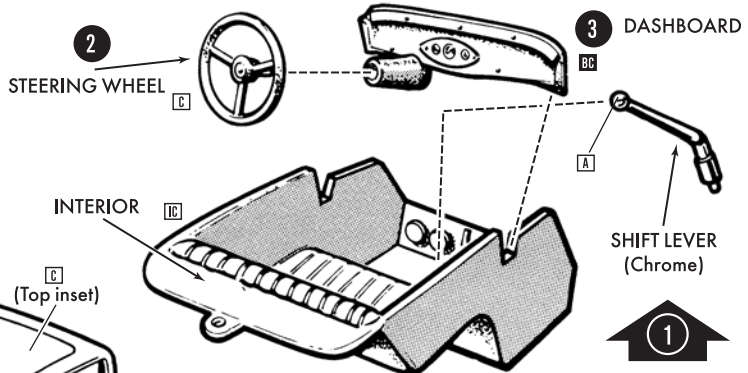
Parts are numbered
in order of assembly.

Be SURE to buy the other great 1/32 Scale Star models in this series. All with "CHROMED" accessories.

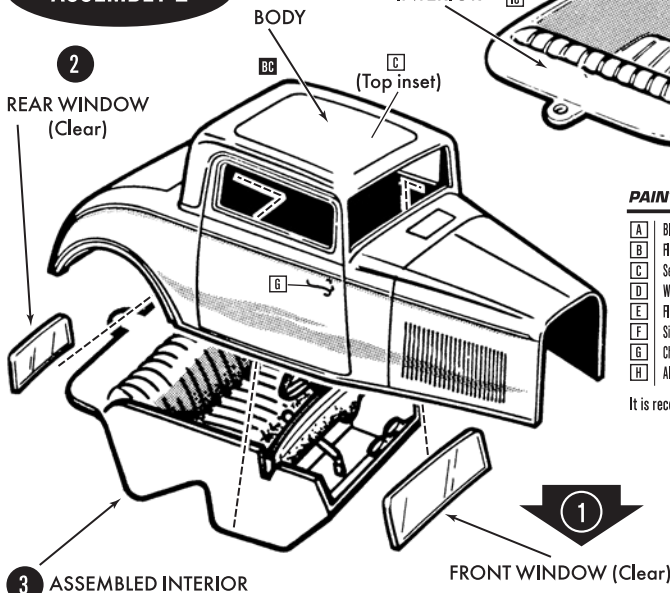
SLOT RACERS

Your '32 Ford can be adapted to slot racing by making the following changes. A metal frame with a 3 1/4" wheelbase is required. A hole must be cut in the frame so the slot pick-up may be attached to the frame. Because the interior would interfere with the frame, substitute a flat cover of scrap plastic to fill in the open space. Necessary 1/32 scale components; frame, motor, axles, wheels and tires may be purchased at your hobby dealer. It is advisable to either reinforce all cemented joints with scrap plastic or use a soldering iron to "weld" the parts.

ASSEMBLY 1



ASSEMBLY 2



PAINT COLORS

[A] Black	[I] Steel	[Q] Yellow	[Y] Apple Green
[B] Flat Black	[J] Brass	[R] Beige	[Z] Gray
[C] Semi-Gloss Black	[K] Gold	[S] Brown	[TC] Tacoma Cream
[D] White	[L] Amber	[T] Lt. Blue	[IC] Interior Color
[E] Flat White	[M] Transparent Amber	[U] Med. Blue	[BC] Body Color
[F] Silver	[N] Red	[V] GM Blue	[▲] Semi-Gloss
[G] Chrome (Bright Silver)	[O] Transparent Red	[W] Transparent Blue	[▲] Gloss
[H] Aluminum	[P] Orange	[X] Lt. Green	[▲] Metallic

It is recommended that you search the internet for additional color references and details.



Ford Motor Company Trademarks and Trade Dress used under license to Round 2, LLC. Firestone and F Shield Logo are registered trademarks of Bridgestone Brands, LLC and are used with permission. AMT and design is a registered trademark of Round 2, LLC. ©2020 Round 2, LLC, South Bend, IN 46628 USA. Product and packaging designed in the USA. Made in China. All rights reserved.

