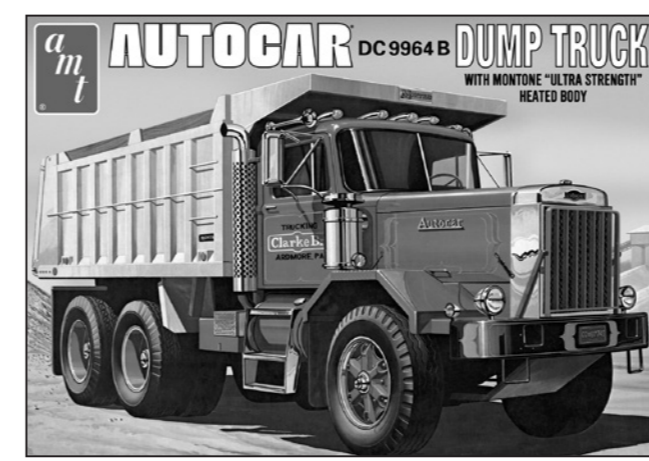


# MORE GREAT KITS FROM THE KATS AT

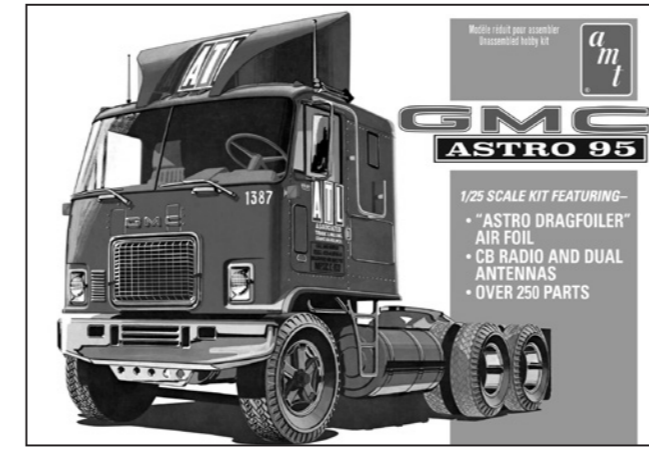
## COLLECT AND BUILD 'EM ALL!



AMT1150/06: Autocar® DC-9964B Dump Truck



AMT1169/08: Peterbilt® 378 Long Hauler Tractor



AMT1140/06: GMC® Astro 95



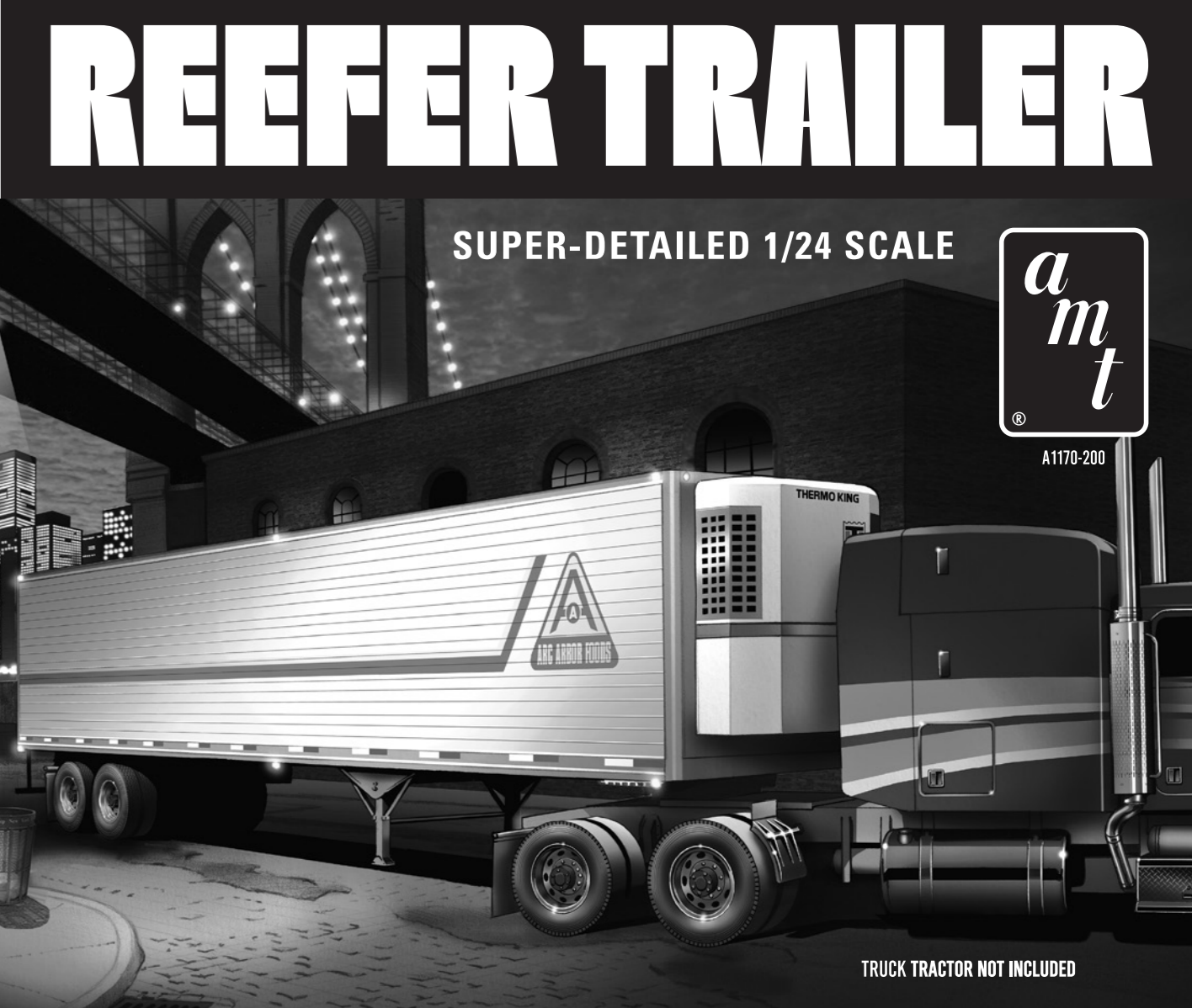
AMT1139/06: FORD C-600 Hostess® City Delivery Truck



AMT1139/06: Double Header! Exterior Post Doubles Vans



AMT1133/06: Peterbilt® Wrecker



- ### IMPORTANT! READ THESE POINTS BEFORE YOU BEGIN
- 1 "TEST FIT" all parts before cementing. Trim excess plastic from parts before joining.
  - 2 Cement all parts unless otherwise indicated by the instructions.
  - 3 Use paint and cement made for styrene plastic only.
  - 4 Paint all sub-assemblies before attaching chrome parts.
  - 5 Scrape chrome and paint away from surfaces to be cemented together.
  - 6 Follow all of the numbers on the instruction sheet beginning with number one.

- ### TOOLS
- IMPORTANT NOTE:** Do not remove parts from runners until ready to use.
- TWEEZERS: TO PLACE, PICK UP AND HOLD SMALL PARTS.
  - KNIFE: TO REMOVE AND TRIM PARTS. FILE TO REMOVE EXCESS PLASTIC.
  - PAINT BRUSH: USE TOOTH PICK OR PIN TO APPLY IT.
  - TAPE, RUBBER BAND AND CLOTHES PINS: TO CLAMP AND HOLD PARTS UNTIL THEY ARE DRY.

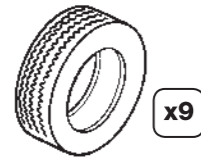
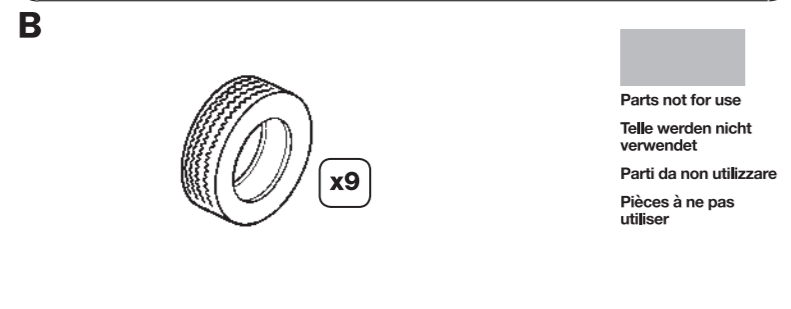
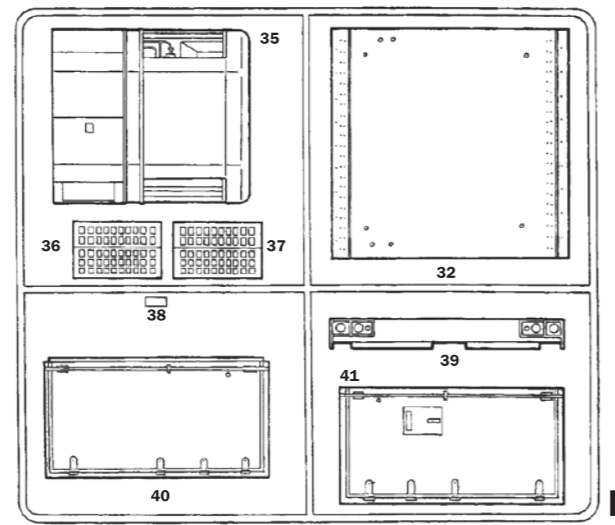
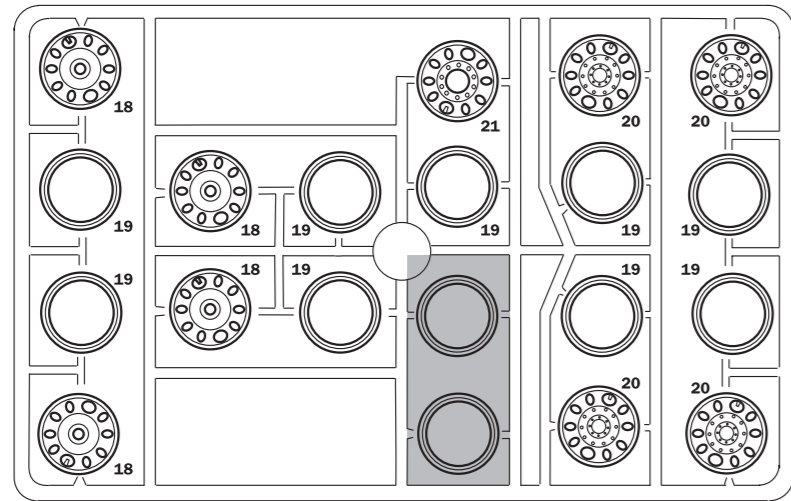
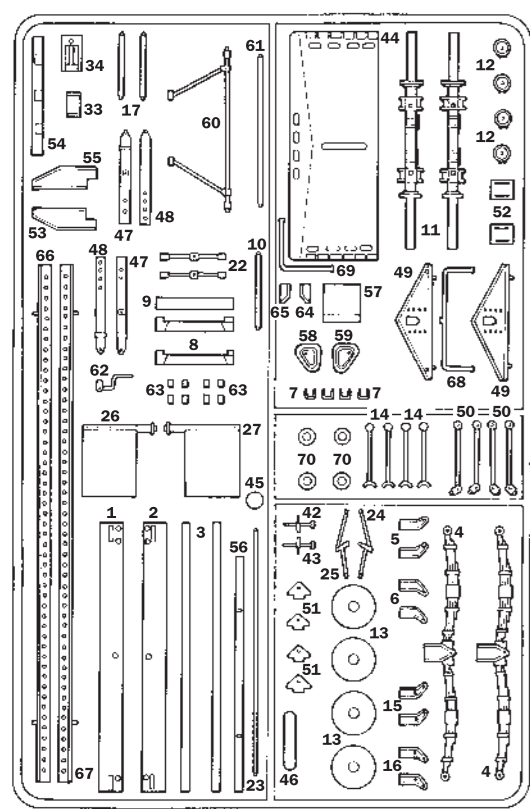
### PAINT COLORS

A	B	C	D	E	F	G	H	I	J	K
FLAT BLACK	SILVER	YELLOW	MED. GREY	CHROME SILVER	FLAT LEATHER	FLAT RED	FLAT WHITE	WHITE	ORANGE	LIGHT BLUE
L	M	N	O	P	Q	R	BB	BC	CC	
MEDIUM BLUE	RED	BLACK	MATTE BLACK	LIGHT TAN	WOOD GRAIN	AMBER	GREY/BLUE	BODY COLOR	CHASSIS COLOR	

It is recommended that you search the internet for additional color references and details.

Visit us @ [ROUND2MODELS.COM](http://ROUND2MODELS.COM)

Ford Motor Company Trademarks and Trade Dress used under license to Round 2, LLC. GENERAL MOTORS Trademarks used under license to Round 2, LLC. PETERBILT TRADEMARKS LICENSED BY PACCAR INC, BELLEVUE, WASHINGTON, U.S.A. 2019 Autocar, LLC. © 2019 Hostess Brands, LLC. All Rights Reserved. © The Hostess trademarks are used under license from Hostess Brands, LLC. AMT and design is a registered trademark of Round 2, LLC. ©2019 Round 2, LLC. South Bend, IN 46638 USA. Product and packaging designed in the USA. MADE IN: THE EUROPEAN UNION. All rights reserved.



Parts not for use  
 Teile werden nicht verwendet  
 Parti da non utilizzare  
 Pièces à ne pas utiliser

