

**IMPORTANT! READ THESE POINTS BEFORE YOU BEGIN**

- 1 "TEST FIT" all parts before cementing. Trim excess plastic from parts before joining.
- 2 Cement all parts unless otherwise indicated by the instructions.
- 3 Use paint and cement made for styrene plastic only.

- 4 Paint all sub-assemblies before attaching chrome parts.
- 5 Scrape chrome and paint away from surfaces to be cemented together.
- 6 Assemble parts in sequence shown. Each part is identified by a number.

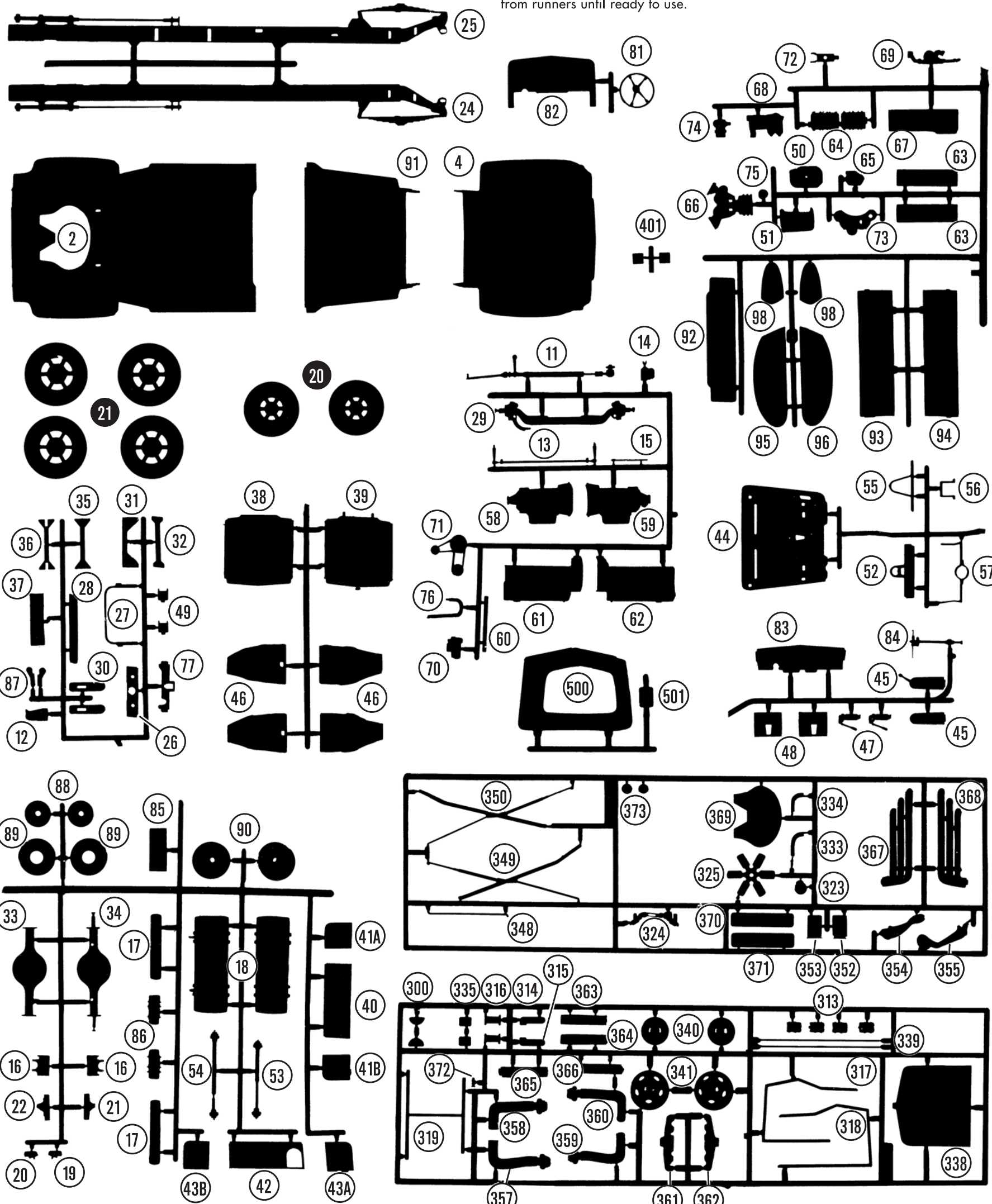
- Completed assembly
- Assembly sequence
- Part number
- Cement parts together
- Do not cement together
- Optional part provided

KENWORTH and KW & DESIGN TRADEMARKS LICENSED BY PACCAR INC., BELLEVUE, WASHINGTON, U.S.A. Other names and trademarks used under license to Round 2, LLC or by permission. AMT and design is a registered trademark of Round 2, LLC. ©2019 Round 2, LLC, South Bend, IN 46628 USA. Product and packaging designed in the USA. Made in China. All rights reserved.

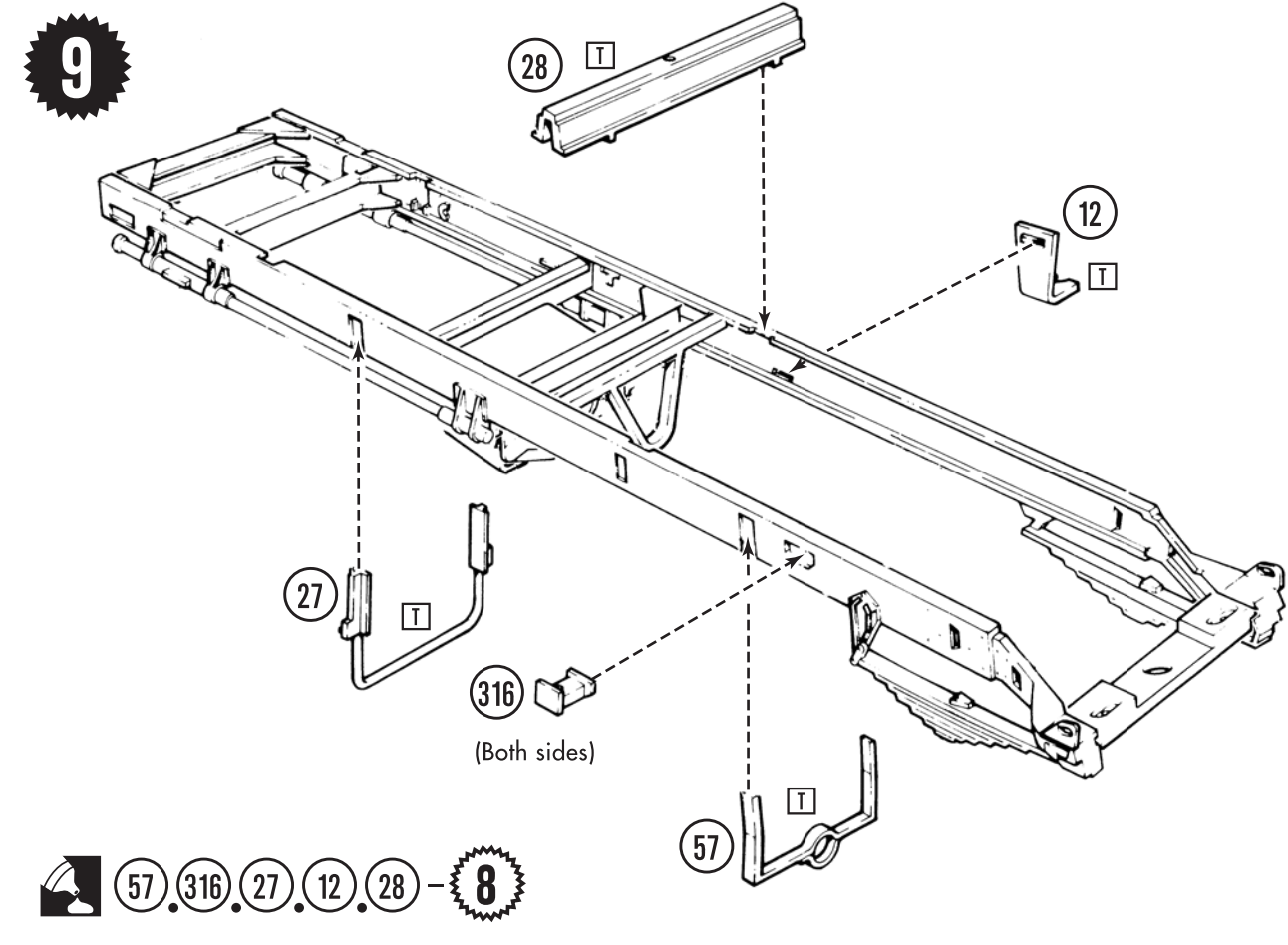
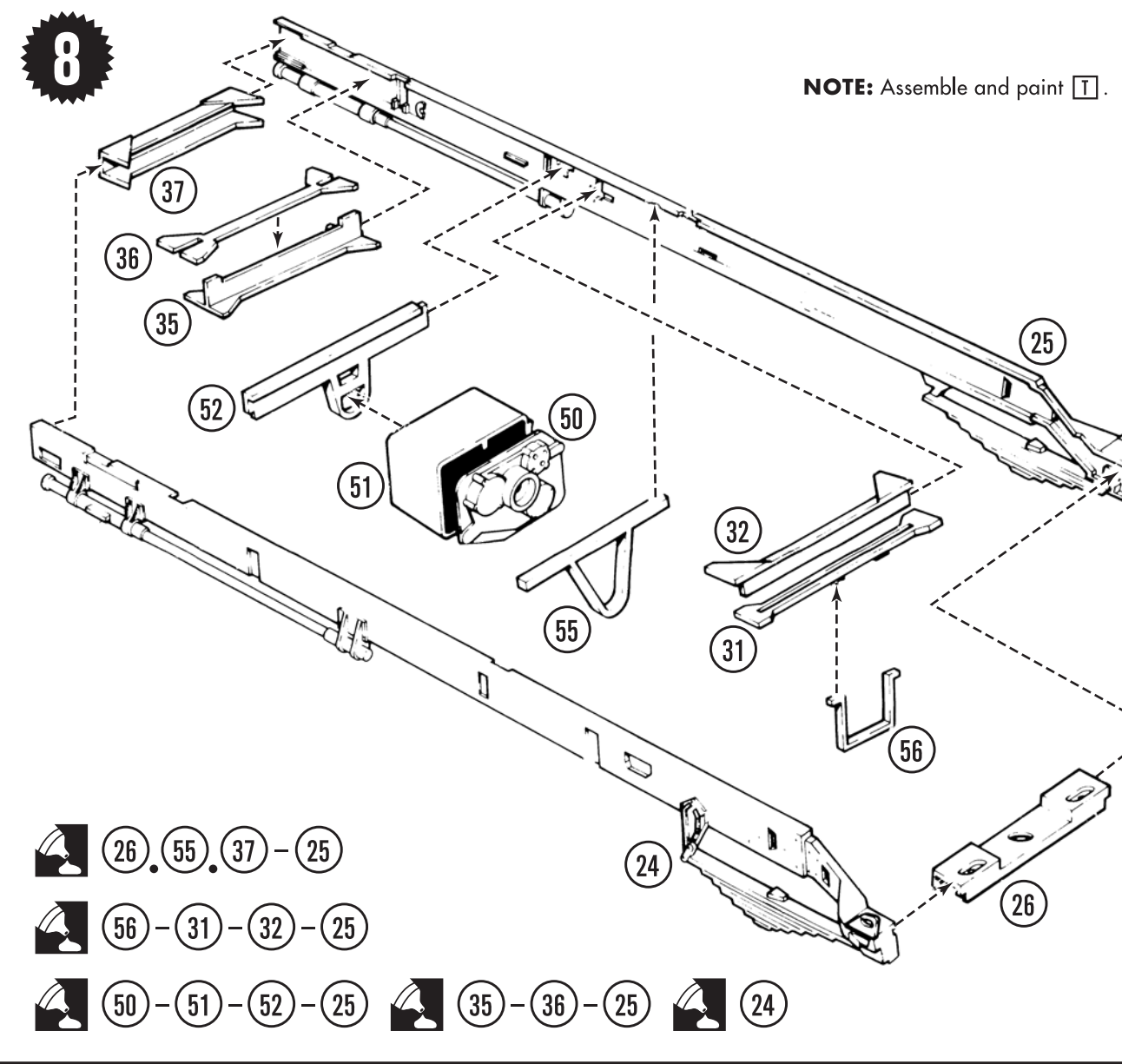
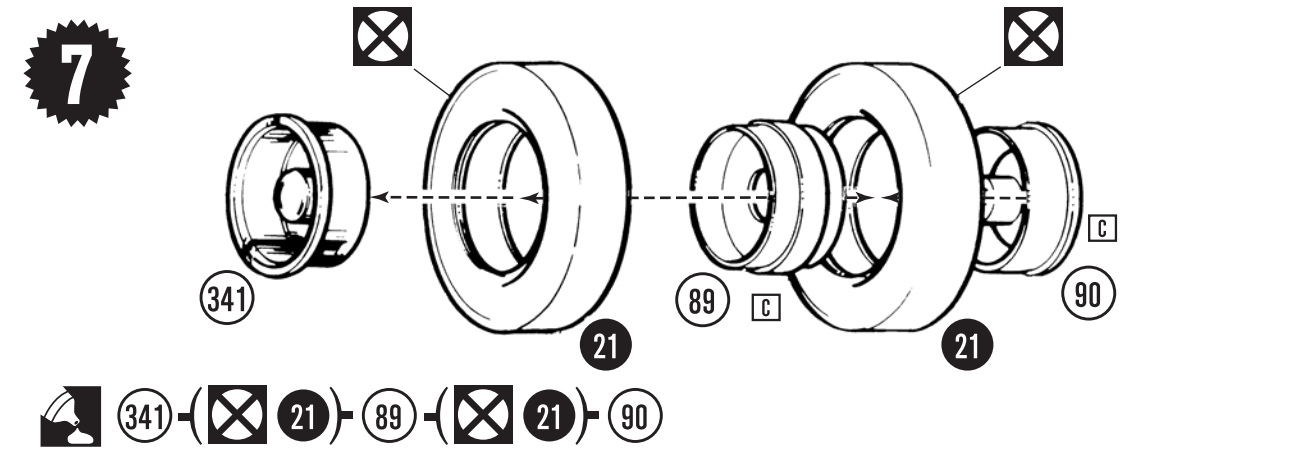
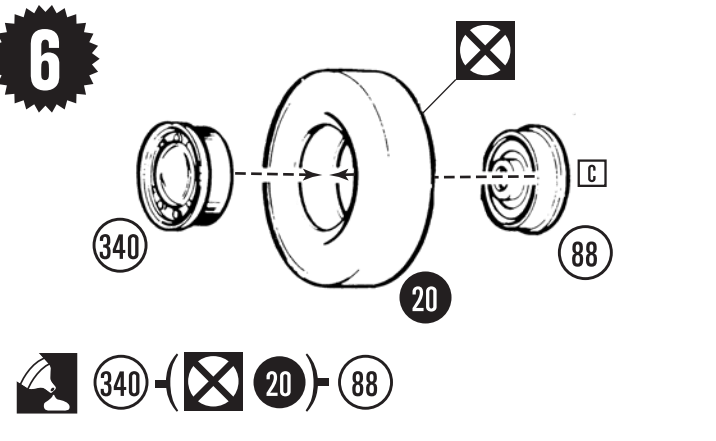
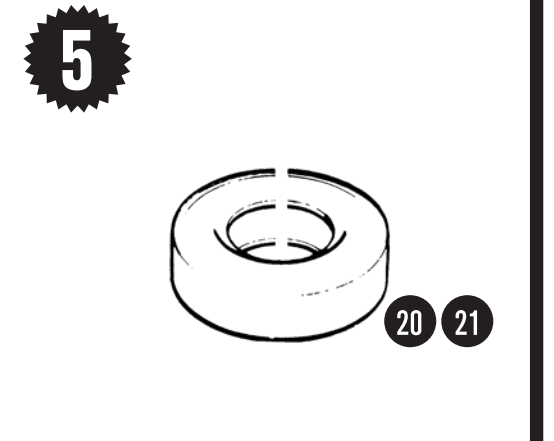
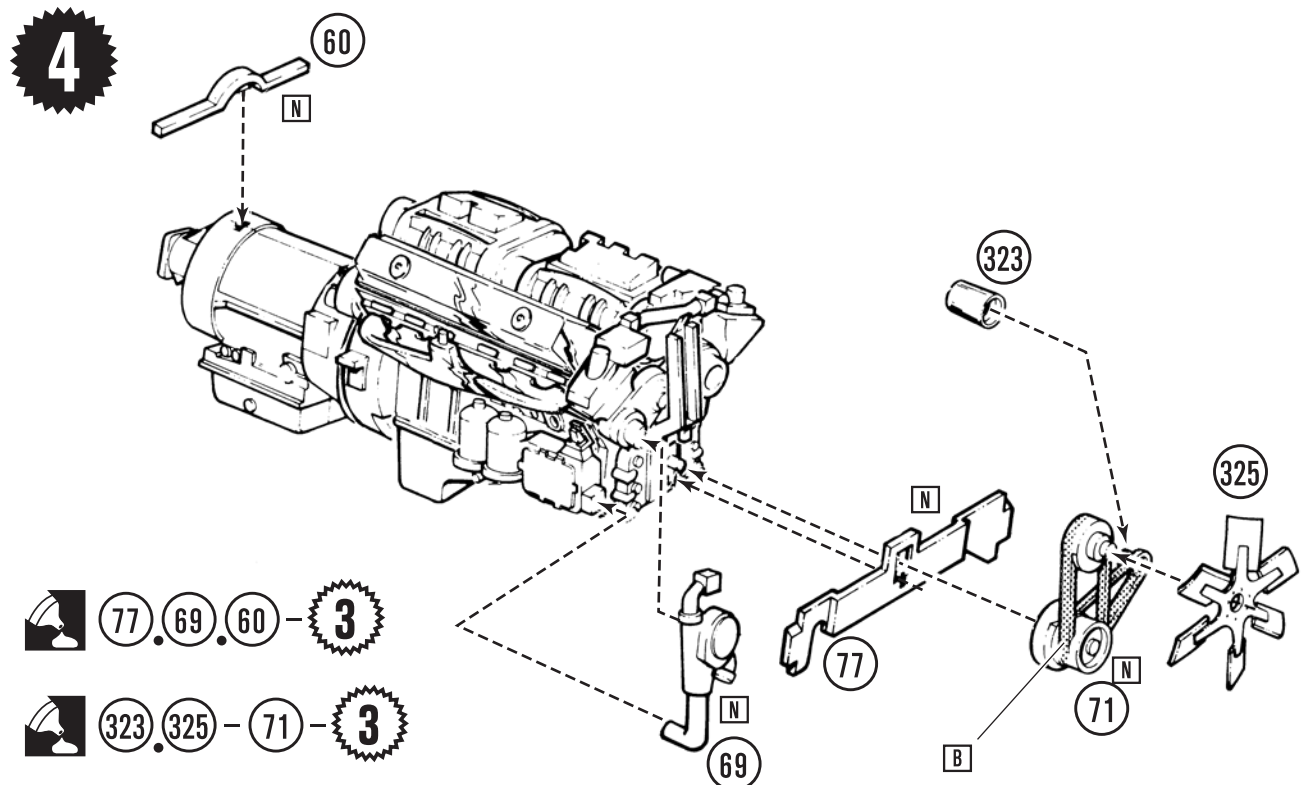
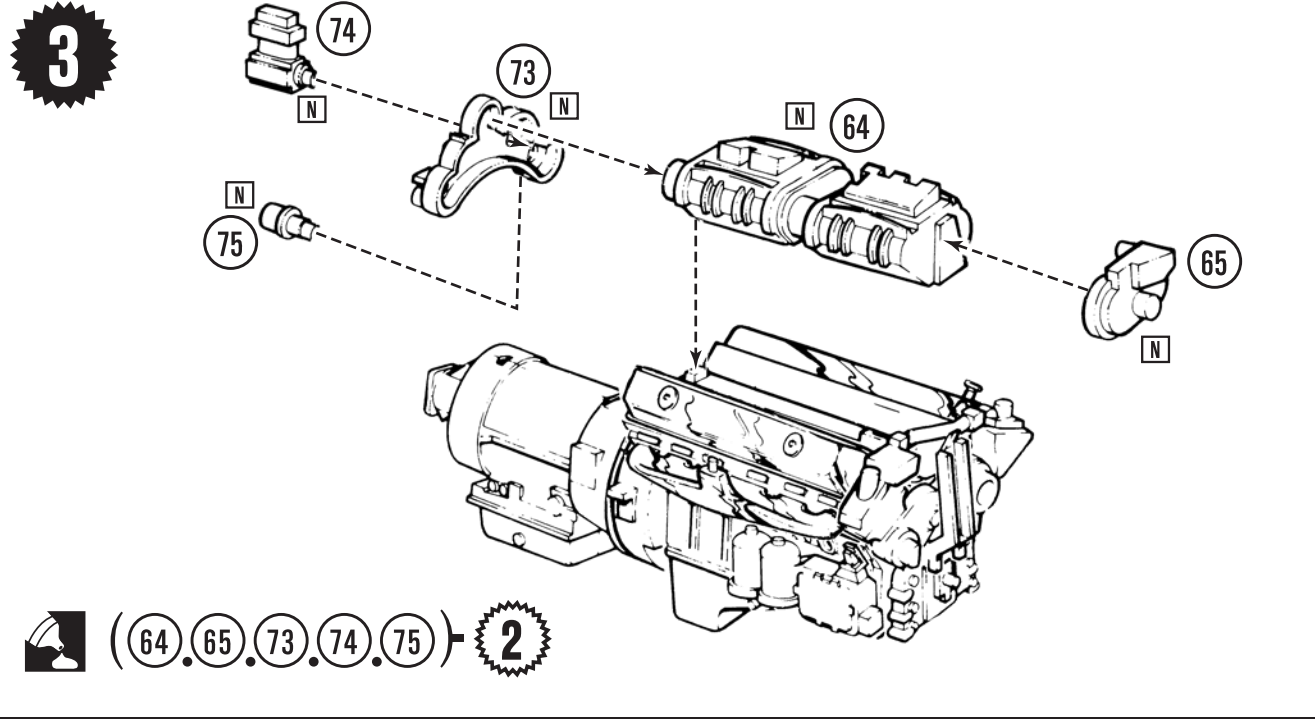
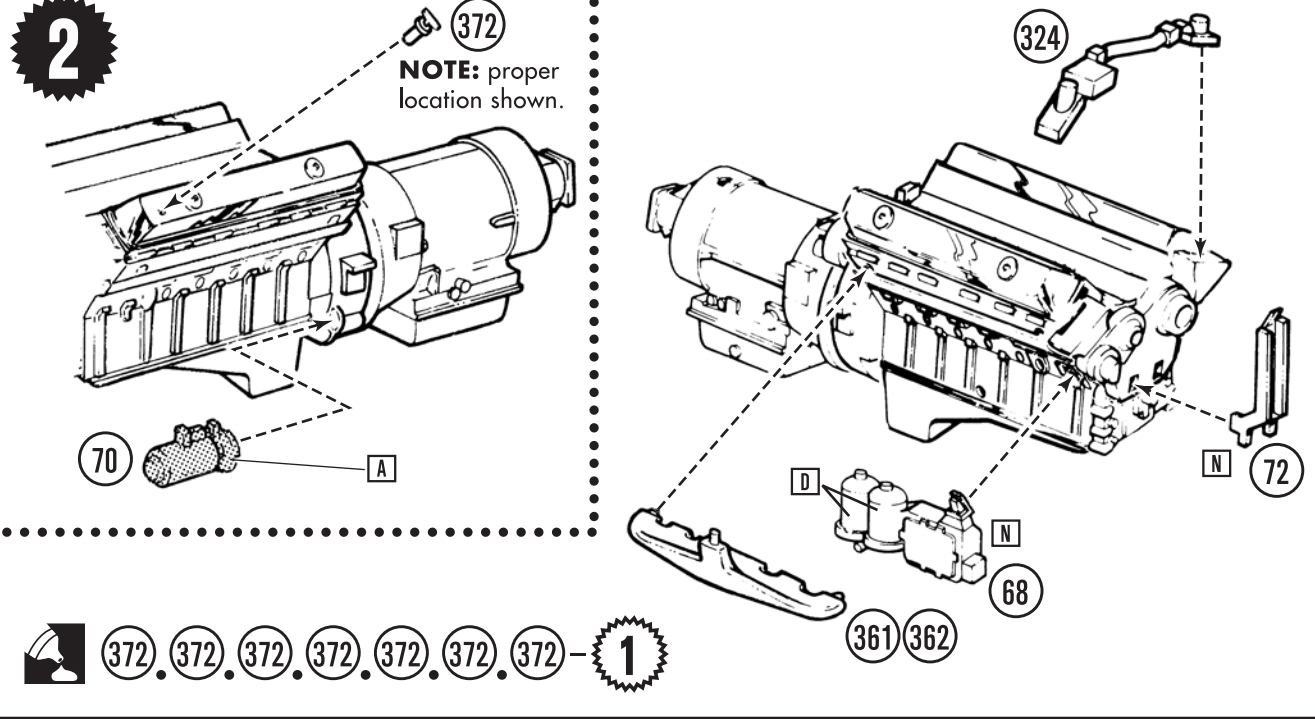
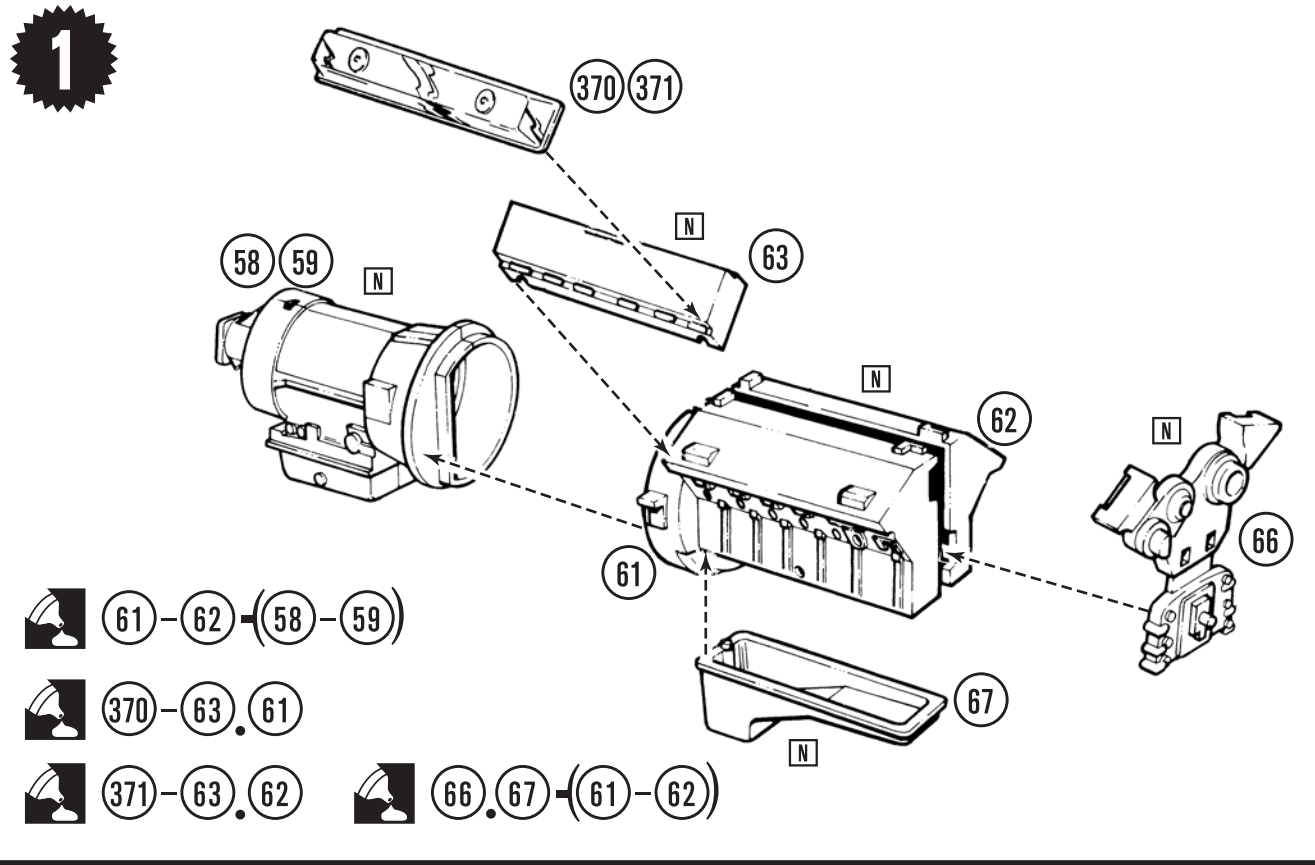
**PAINT COLORS**

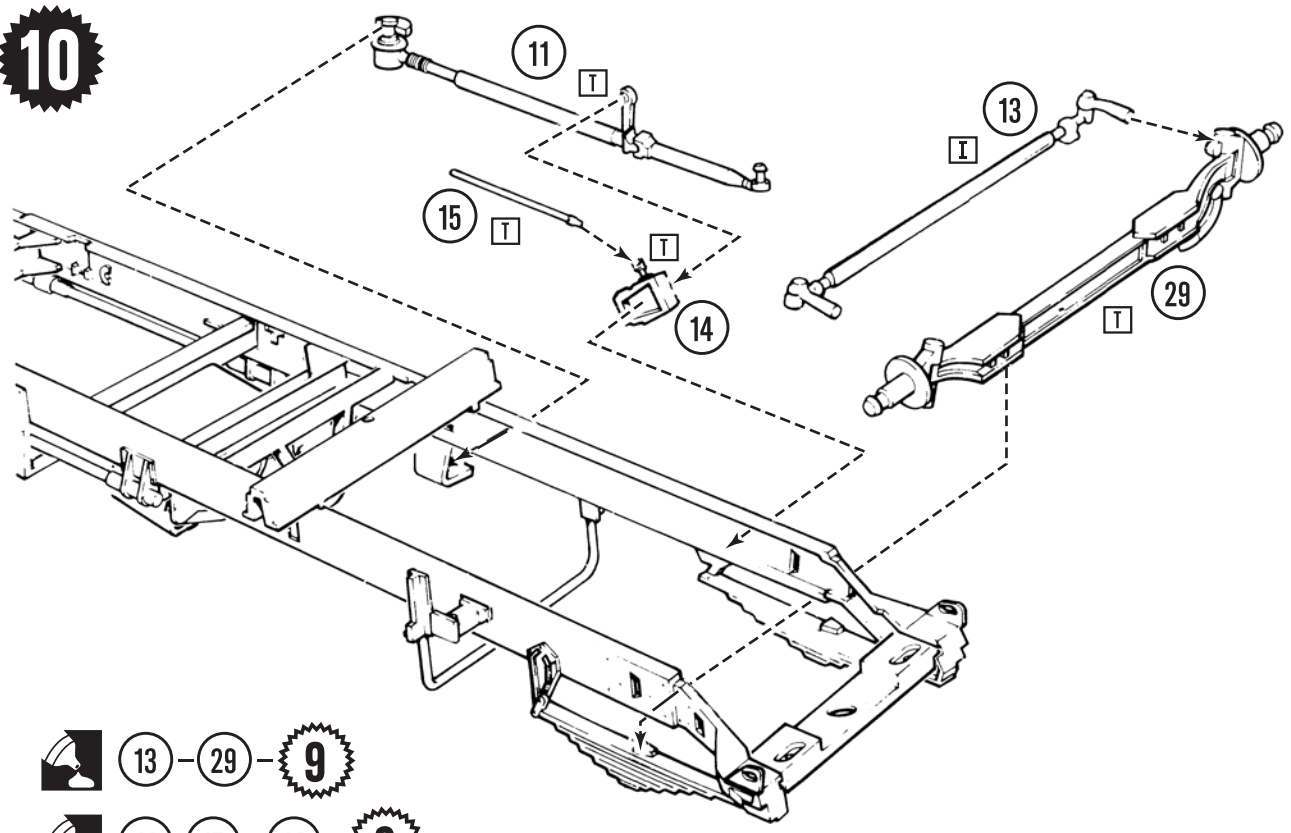
A	Black	Q	Yellow
B	Flat Black	R	Light Tan
C	Semi-Gloss Black	S	Light Brown
D	White	T	Lt. Blue
E	Flat White	U	Med. Blue
F	Silver	V	Dark Blue
G	Chrome (Bright Silver)	W	Dark Brown
H	Aluminum	X	Lt. Green
I	Steel	Y	Woodgrain
J	Brass	Z	Dark Gray
K	Gold	LB	Lt. Gray
L	Amber	IG	Interior Color
M	Transparent Amber	BB	Body Color
N	Red	▲	Semi-Gloss
O	Transparent Red	△	Gloss
P	Orange	▲	Metallic

**PARTS LAYOUT**

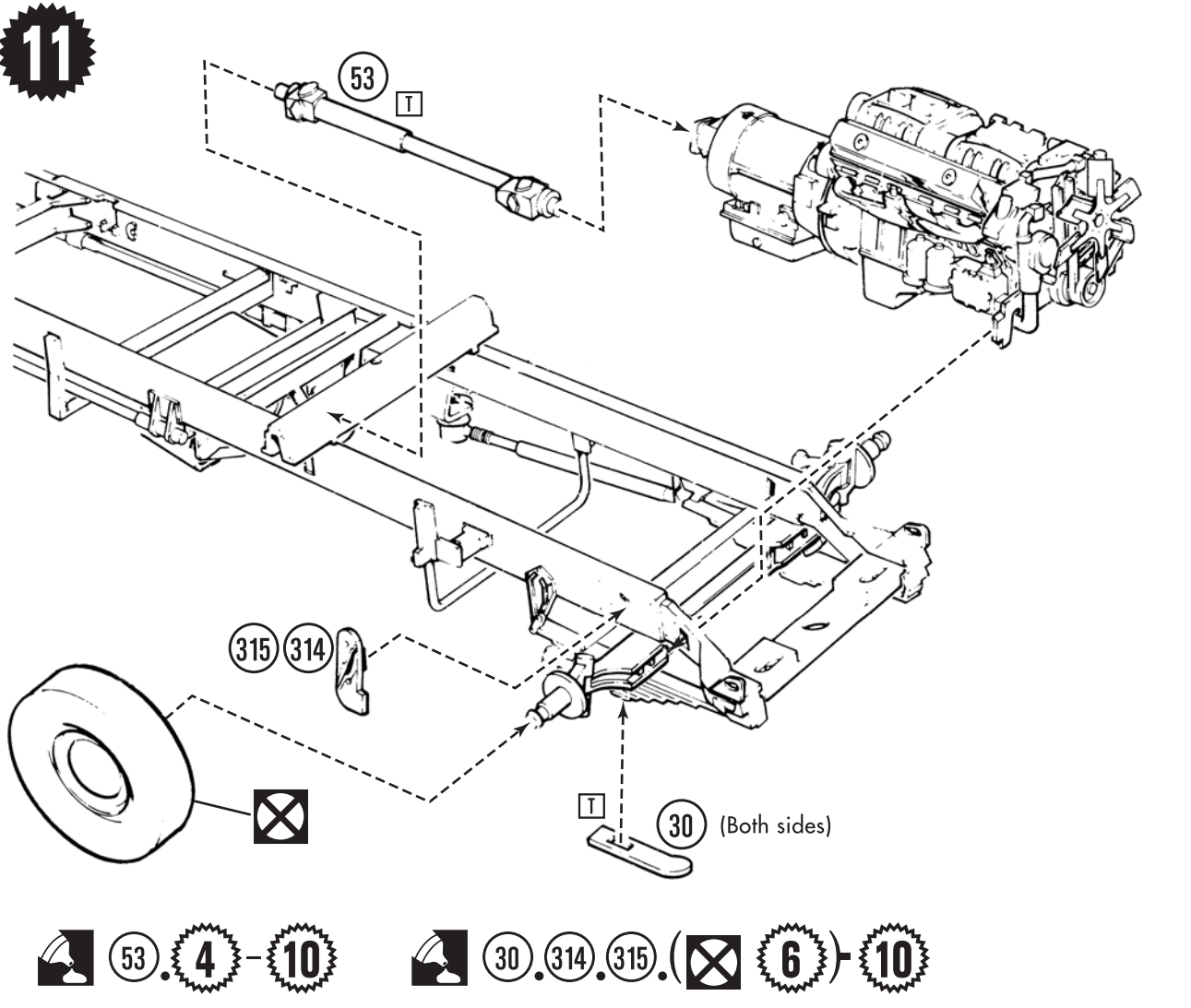


**IMPORTANT NOTE:** Layout shown below is an aid to identify parts in this kit. The part numbers do appear on actual parts. These numbers are located on the inside surface or on the attached runner of each part. DO NOT remove parts from runners until ready to use.

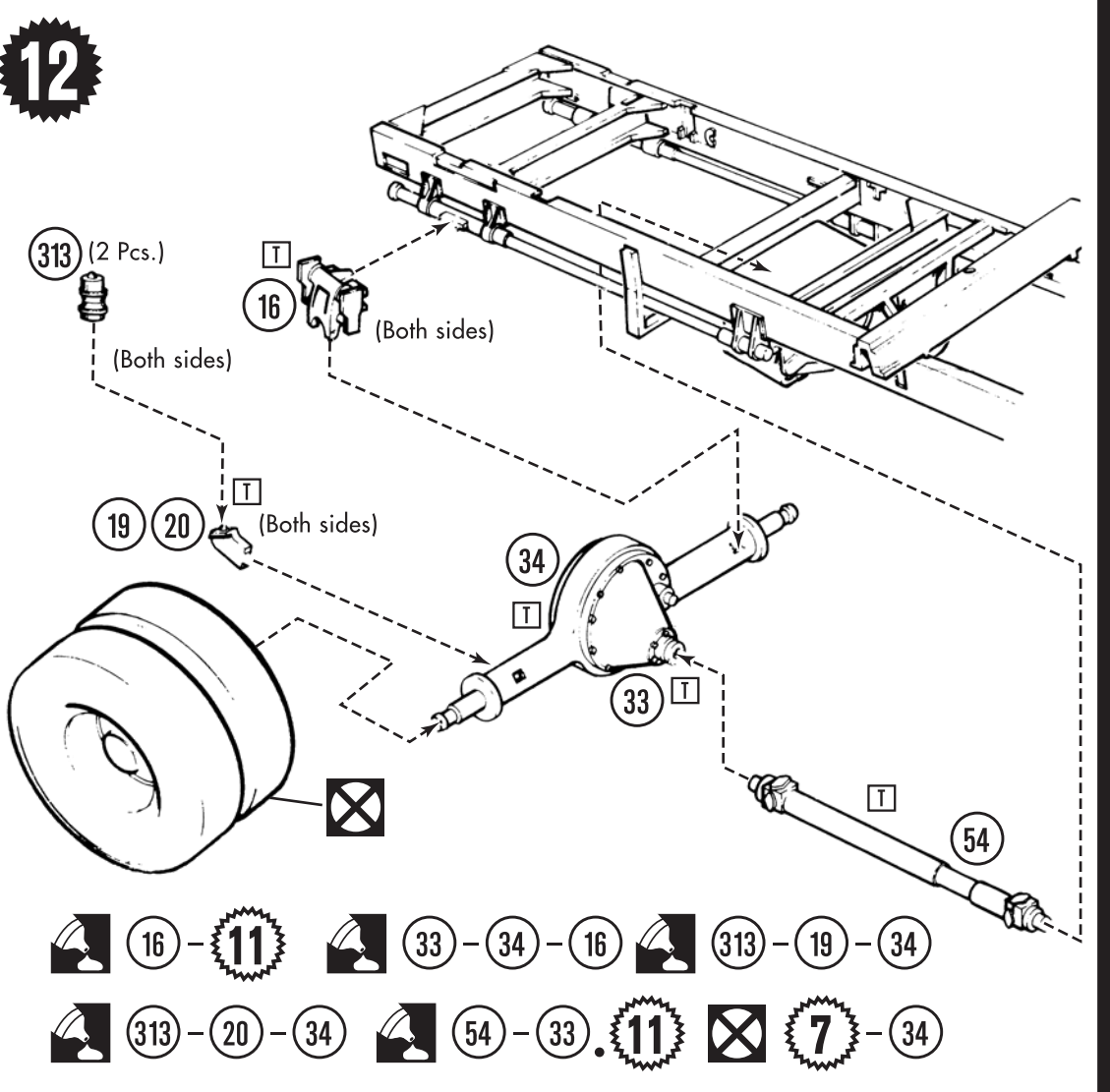




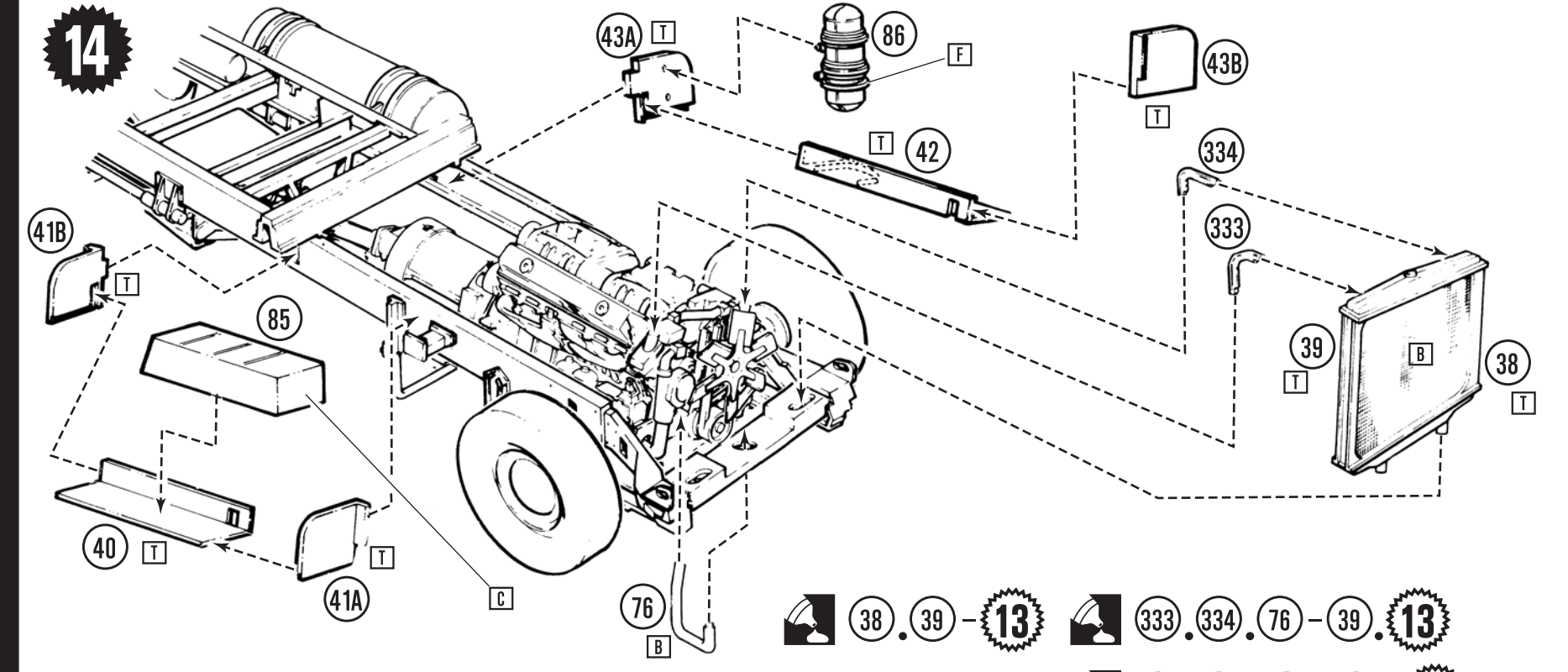
- 13-29-9
- 11-15-14-9



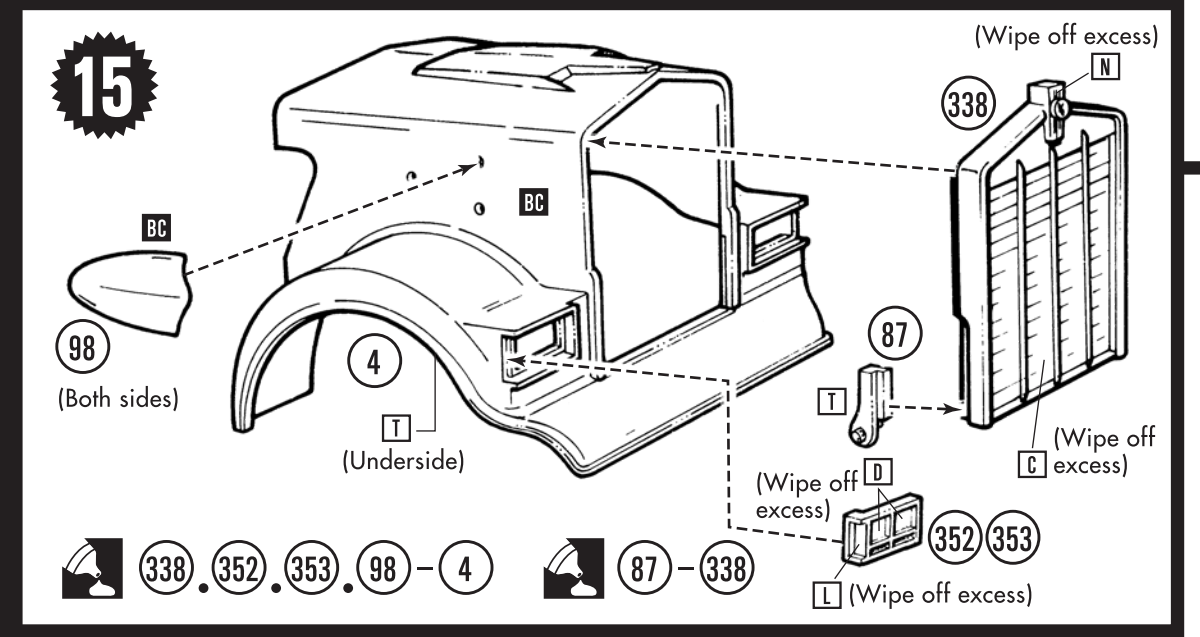
- 53-4-10
- 30-314-315-6-10



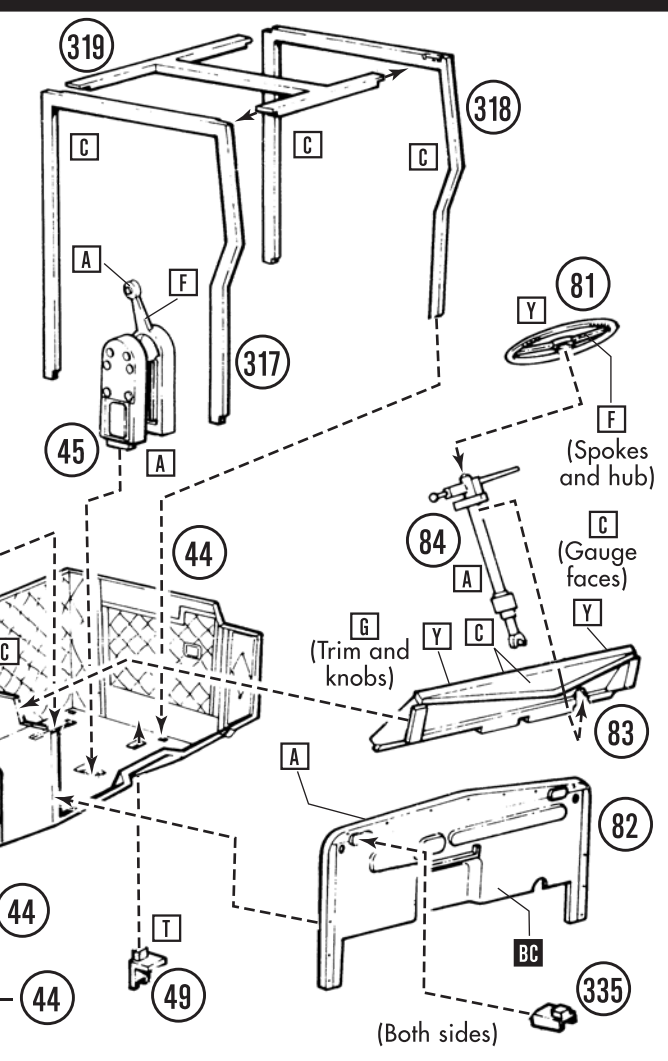
- 16-11
- 33-34-16
- 313-19-34
- 313-20-34
- 54-33-11
- 7-34



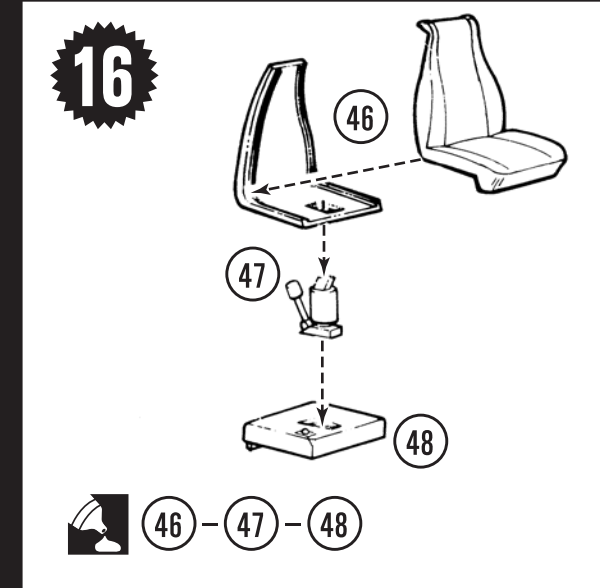
- 38-39-13
- 333-334-76-39-13
- 41A-85-40-41B-13
- (43B-42)-86-43A-13



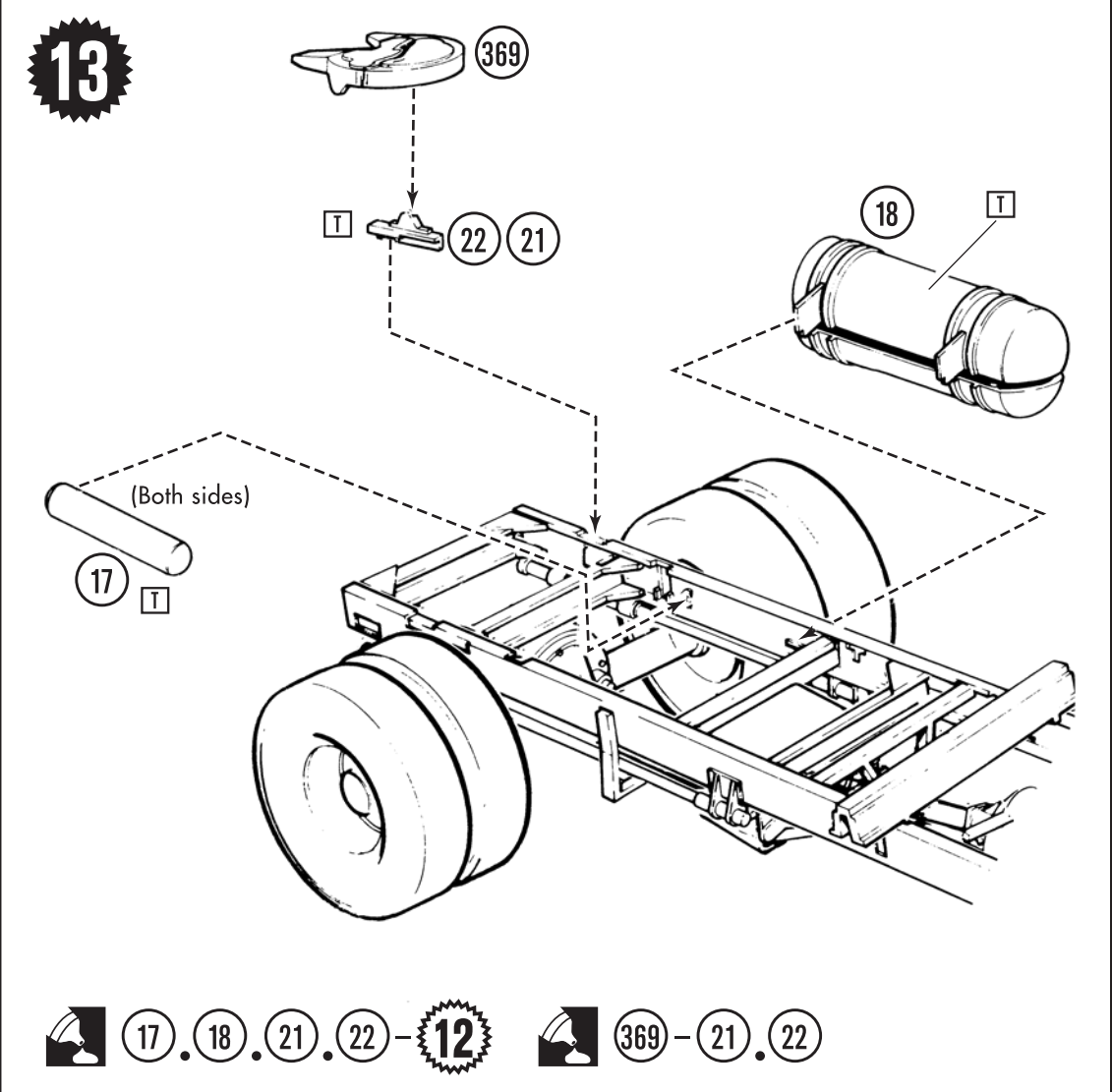
- 338-352-353-98-4
- 87-338



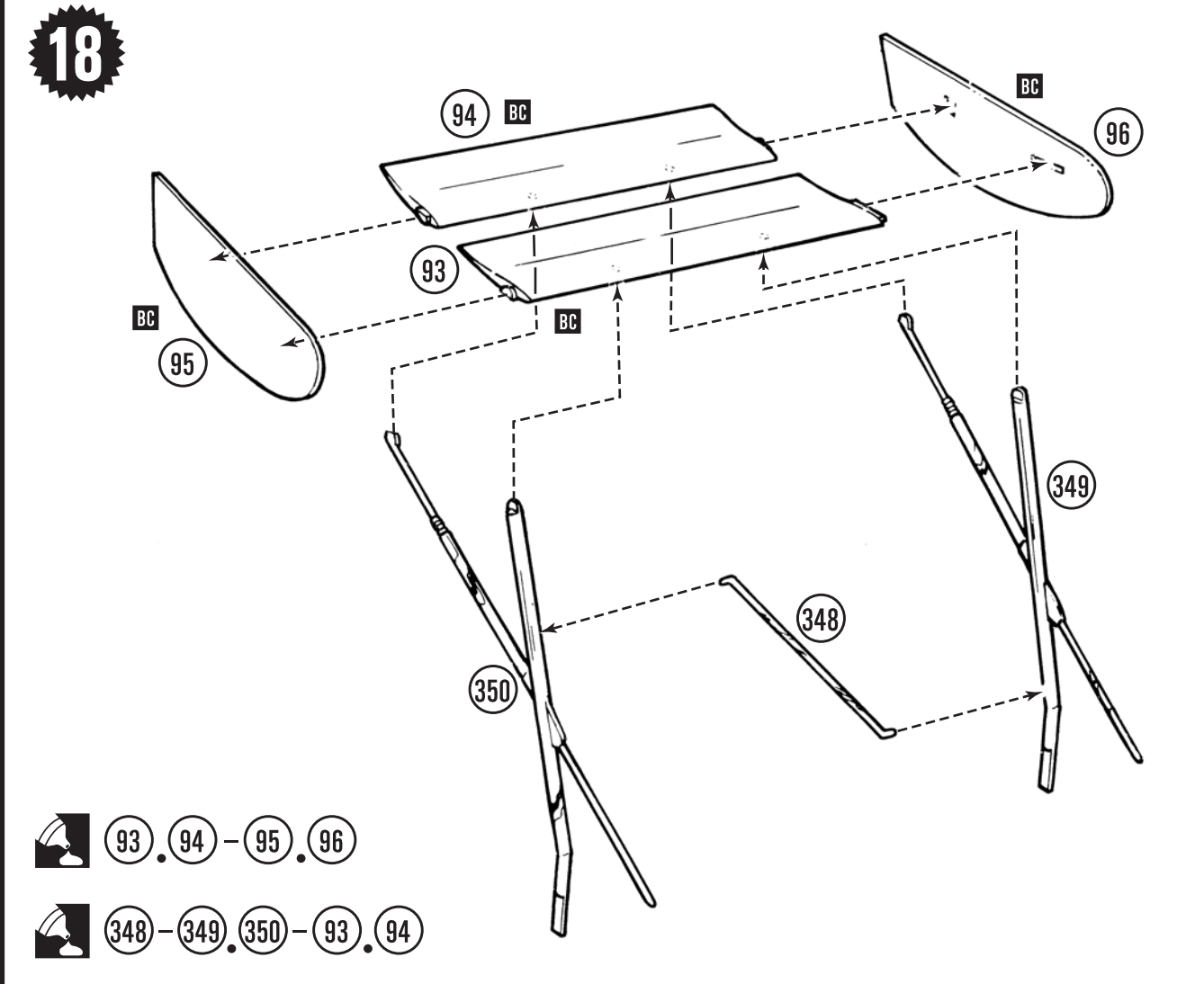
- 49-16-45-44
- 319-317-318-44
- 83-44
- 81-84-83
- 335-82-44
- 49



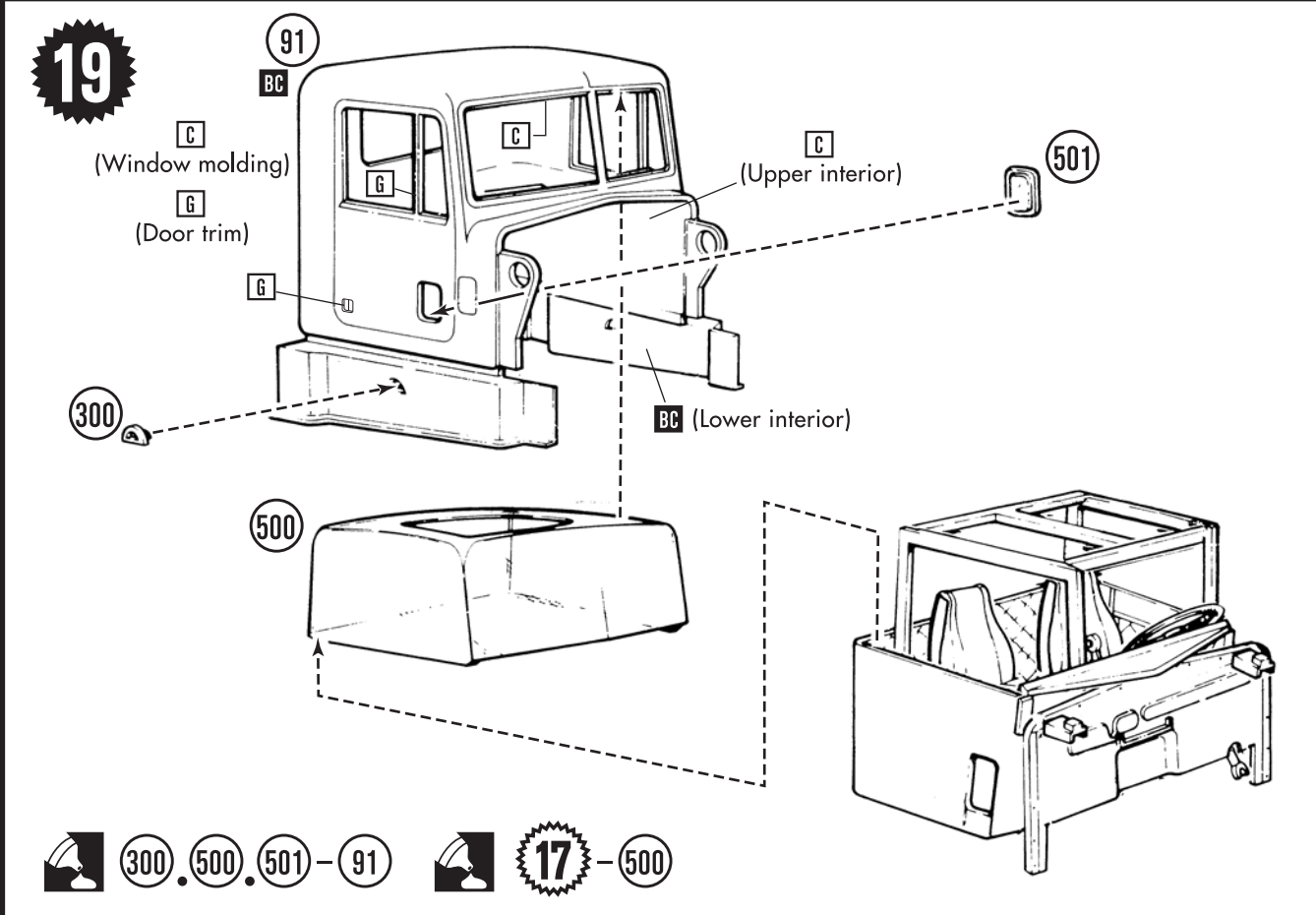
- 46-47-48



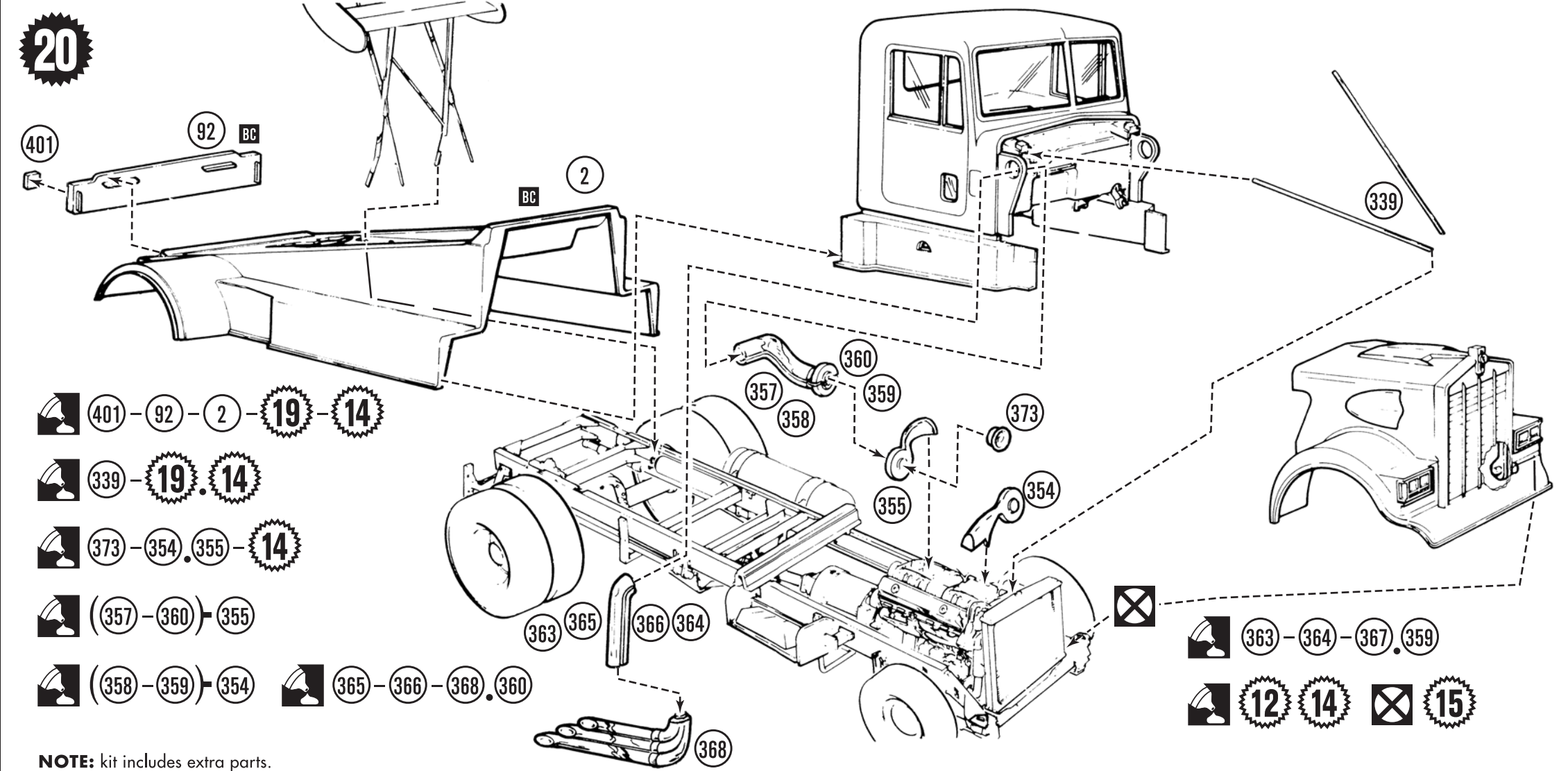
- 17-18-21-22-12
- 369-21-22



- 93-94-95-96
- 348-349-350-93-94



- 300-500-501-91
- 17-500



- 401-92-2-19-14
- 339-19-14
- 373-354-355-14
- (357-360)-355
- (358-359)-354
- 365-366-368-360

- 363-364-367-359
- 12-14-15

NOTE: kit includes extra parts.