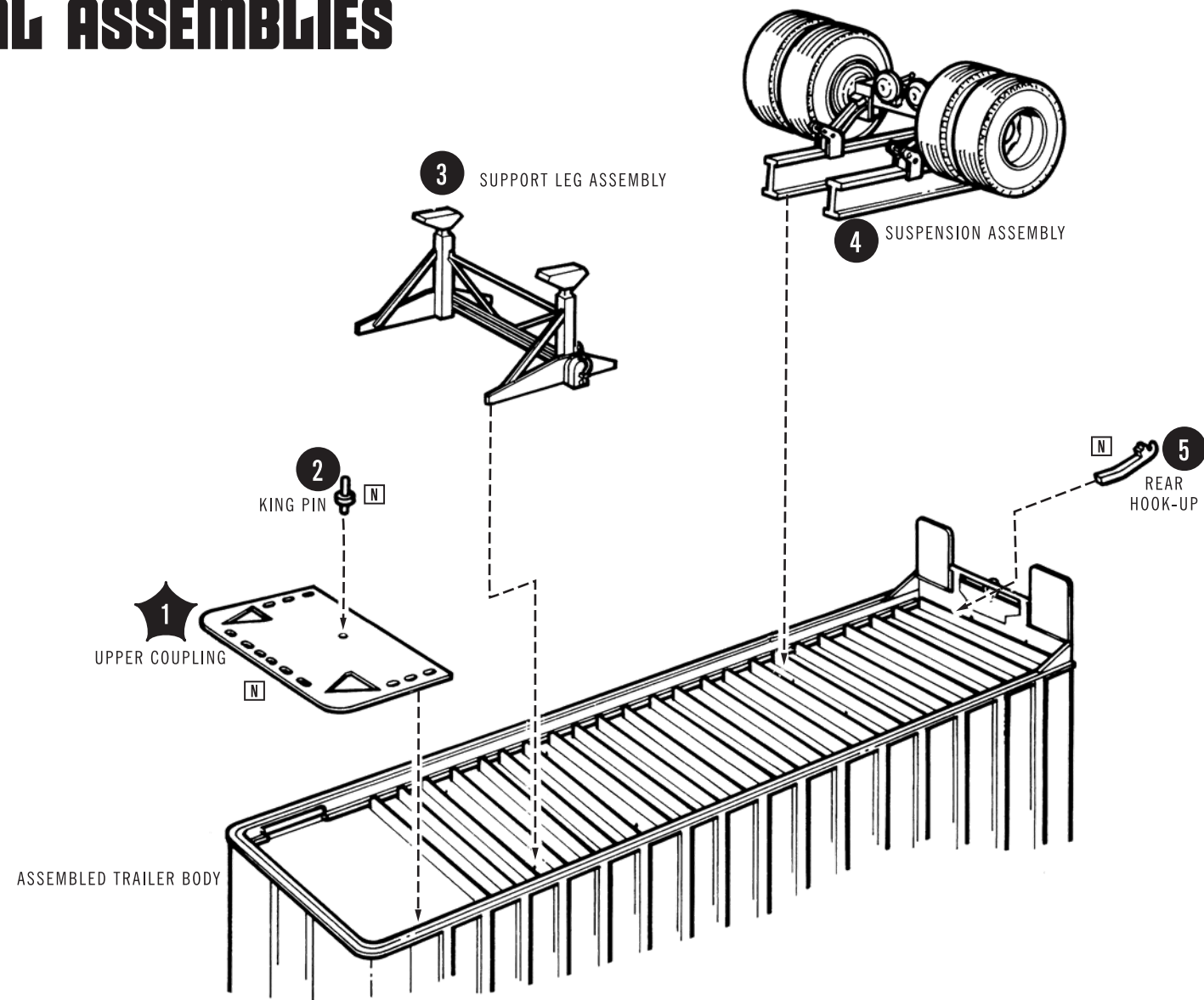
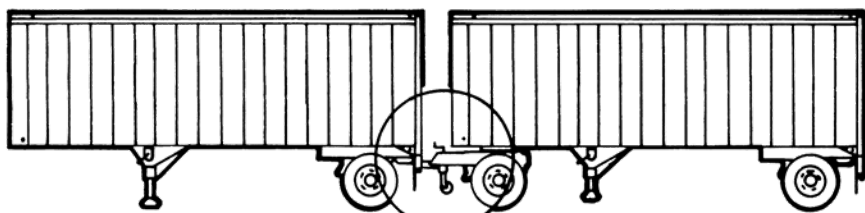


6. FINAL ASSEMBLIES

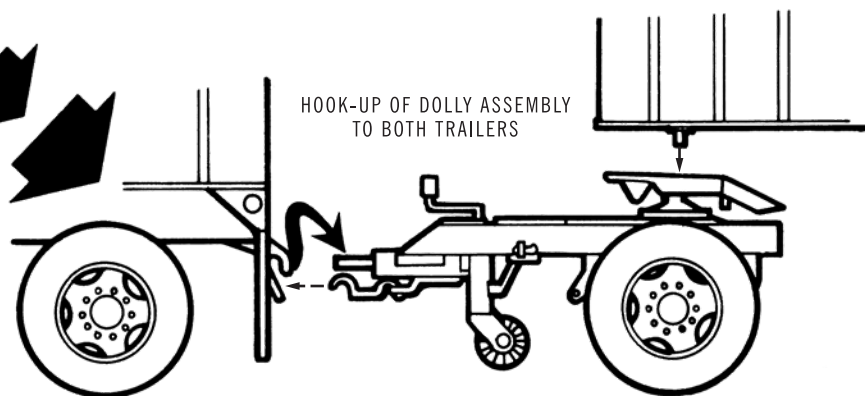


7. DOLLY HOOK-UP

SIDE VIEW OF ASSEMBLED TRAILERS



HOOK-UP OF DOLLY ASSEMBLY TO BOTH TRAILERS



SPECIAL NOTE: Truck tractor (not included) would have **N** chassis and wheels, with **Y** cab.

PAINT COLORS

| | | | |
|---------------------------------|----------------------------|---------------------------|-------------------------|
| A Black | I Steel | O Yellow | Y Green |
| B Flat Black | J Brass | R Tan | AC Accent Color |
| C Semi-Gloss Black | K Gold | S Brown | CC Chassis Color |
| D White | L Amber | T Lt. Blue | WG Woodgrain |
| E Flat White | M Transparent Amber | U Med. Blue | BC Body Color |
| F Silver | N Red | V Dark Blue | ▲ Semi-Gloss |
| G Chrome (Bright Silver) | O Transparent Red | W Transparent Blue | ▲ Gloss |
| H Aluminum | P Orange | X Lt. Green | ▲ Metallic |



Firestone and F Shield Logo are registered trademarks of BFS Brands, LLC and are used with permission. Other names and trademarks used under license to Round 2, LLC or by permission. AMT and design is a registered trademark of Round 2, LLC. ©2019 Round 2, LLC, South Bend, IN 46628 USA. Product and packaging designed in the USA. Made in China. All rights reserved.

It is recommended that you search the internet for additional color references and details.

TRAILMOBILE DOUBLES VANS



A1132-200

NOTE: 2 complete trailers, only one shown.

Cement all parts unless otherwise indicated.

READ THIS BEFORE YOU BEGIN

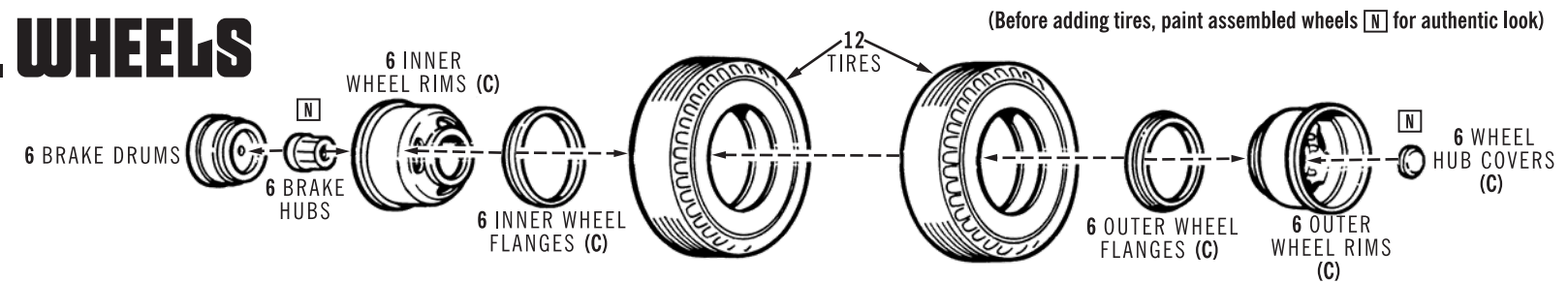
Look over this instruction sheet carefully before you begin building. Follow the assembly instructions and "test-fit" the parts without cementing. This will familiarize you with the location of the parts.

For the best results, the various sub-assemblies and components should be painted before any "chrome" parts are attached. For example: When attaching "non-chrome" body accessories, it is best to cement them in place and paint the body as a unit.

AMT® kits are molded from the finest High-Impact Styrene plastic. Use only paint and cement made for Styrene. Trim excess plastic from parts before joining. When attaching "chrome" parts, scrape plating away where parts are to be joined. Use just enough cement to join parts, and be careful not to smear cement on exposed surfaces.

Built according to the instructions on this sheet, you should have no trouble assembling your kit. Just FOLLOW THE NUMBERS, as parts are numbered in order of assembly. (C) INDICATES "CHROME" PARTS.

1. WHEELS

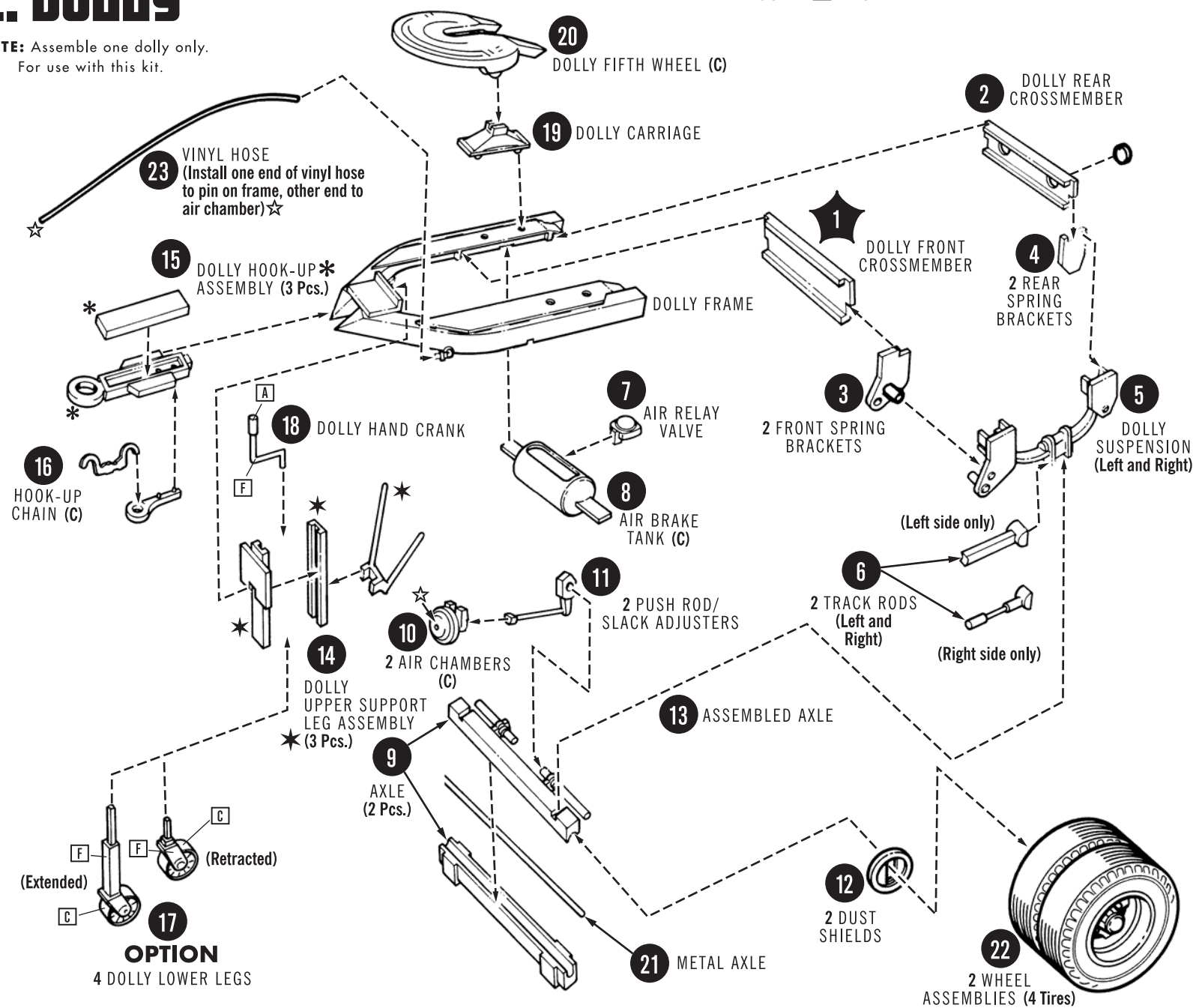


(Before adding tires, paint assembled wheels **N** for authentic look)

2. DOLLY

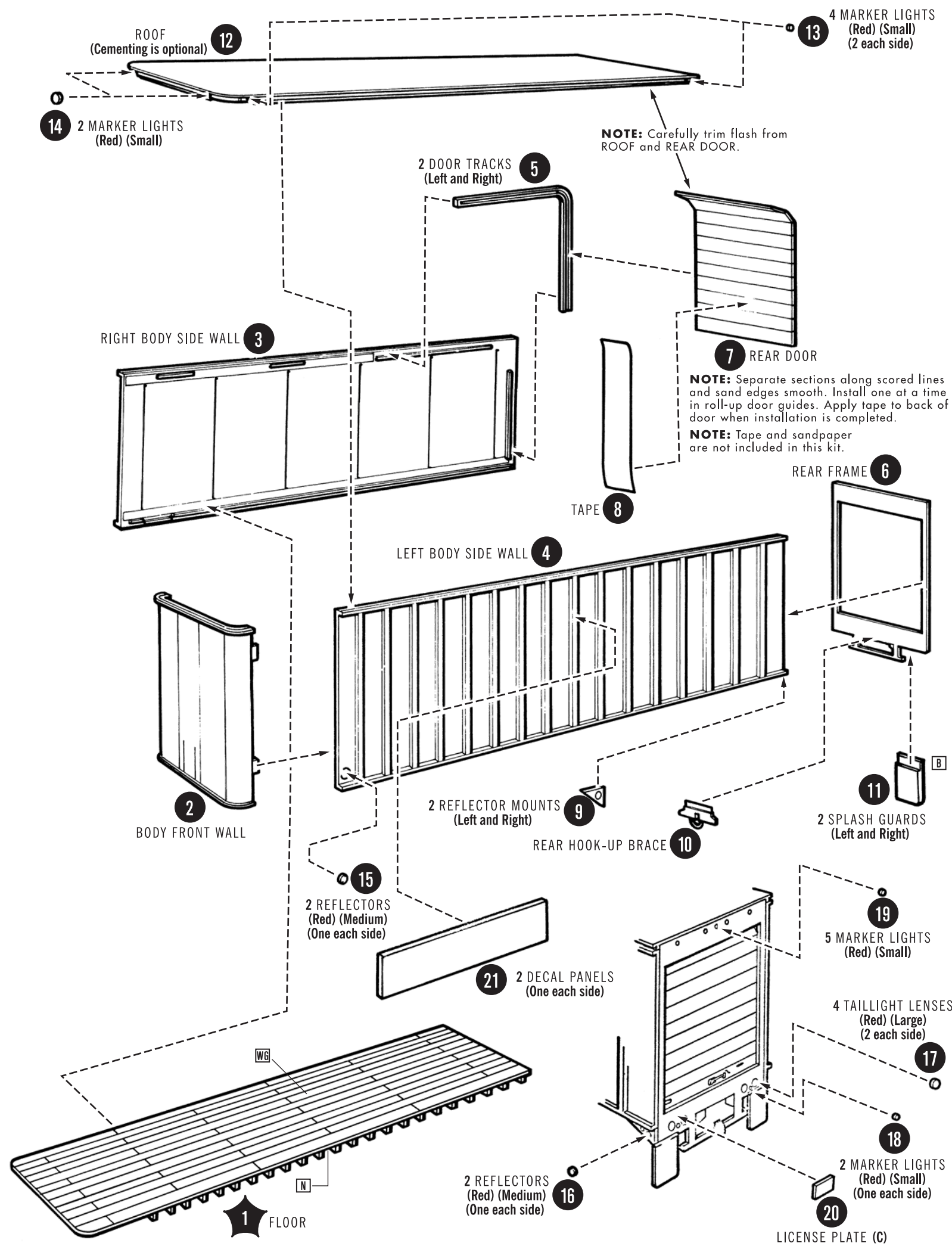
NOTE: Assemble one dolly only. For use with this kit.

(Paint all Dolly parts: **N** except where noted)



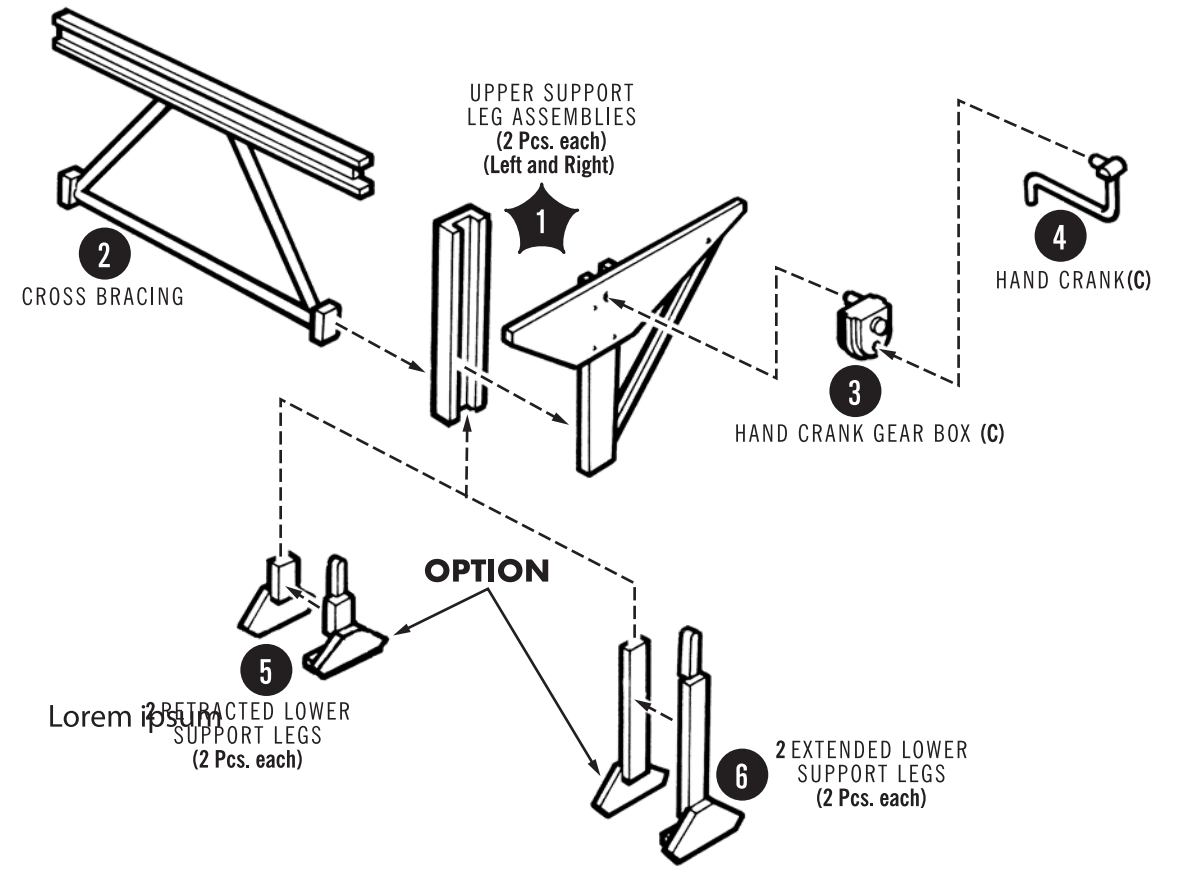
3. TRAILER BODY

(Paint assembled trailer side walls, front, rear door, roof, rear frame and decal panels [H])



4. SUPPORT LEGS

(Paint assembled legs [N])



5. SUSPENSION

(Paint assembled suspension [N])

