



A1090-200

# Coca-Cola

## PETERBILT

# 352 PAGEMAKER CABOVER

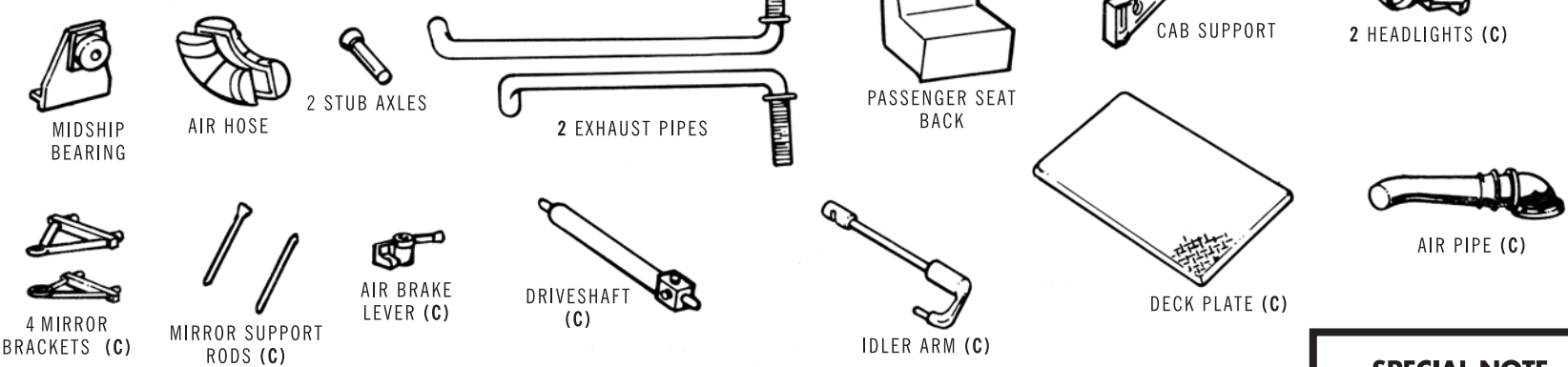
Look over this Instruction Sheet carefully before you begin building. Follow the assembly instructions and "TEST-FIT" the parts without cementing. This will familiarize you with the location of the parts.

For the best results, the various sub-assemblies and components should be painted before any "chrome" parts are attached. For example: When attaching "non-chrome" engine parts, it is best to cement them in place and paint as a unit. AMT kits are molded from the finest high-impact Styrene plastic. Use only paint

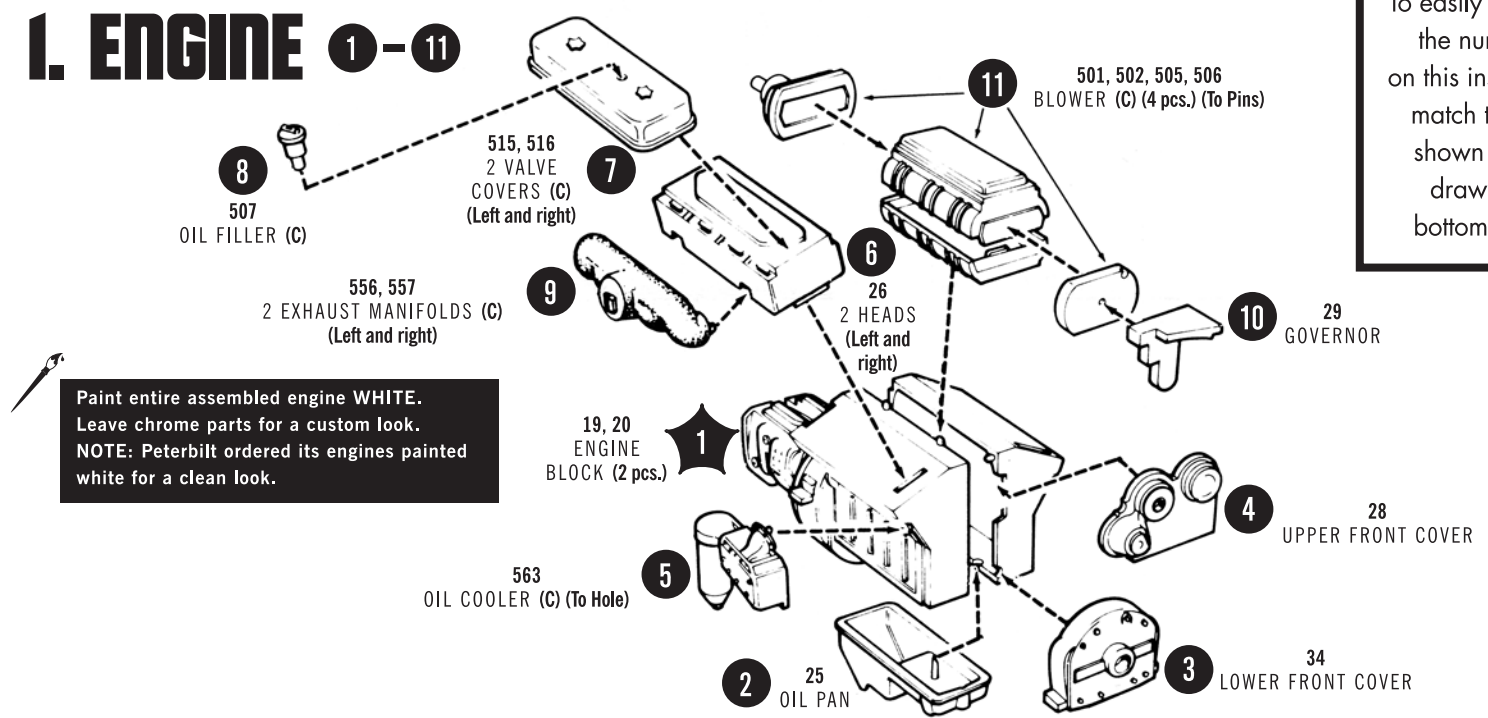
and cement made for Styrene. Trim excess plastic from parts before joining. When attaching "chrome" or painted parts, scrape plating or paint away where parts are joined. Use just enough cement to join parts, and be careful not to smear cement on exposed surfaces.

Built according to the instructions on this sheet, you should have no trouble assembling your model. Just FOLLOW THE NUMBERS as the instructions are numbered in the order of assembly. (C) INDICATES "CHROME" PARTS.

## PARTS NOT TO BE USED



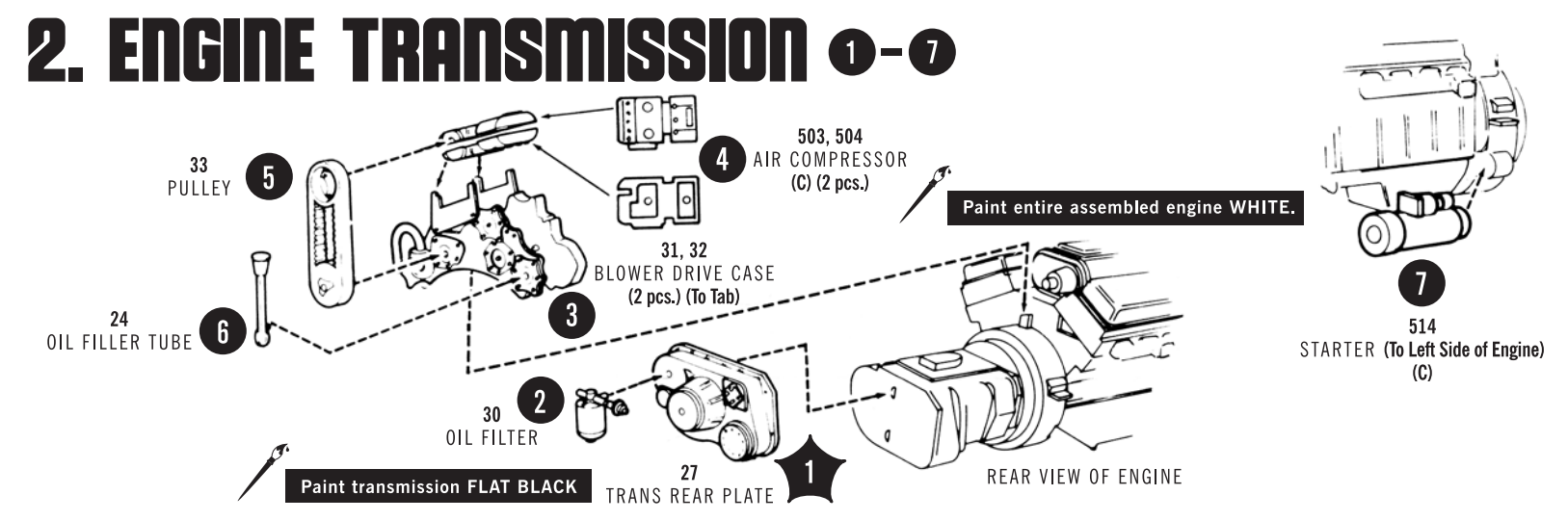
## 1. ENGINE 1-11



Paint entire assembled engine WHITE. Leave chrome parts for a custom look. NOTE: Peterbilt ordered its engines painted white for a clean look.

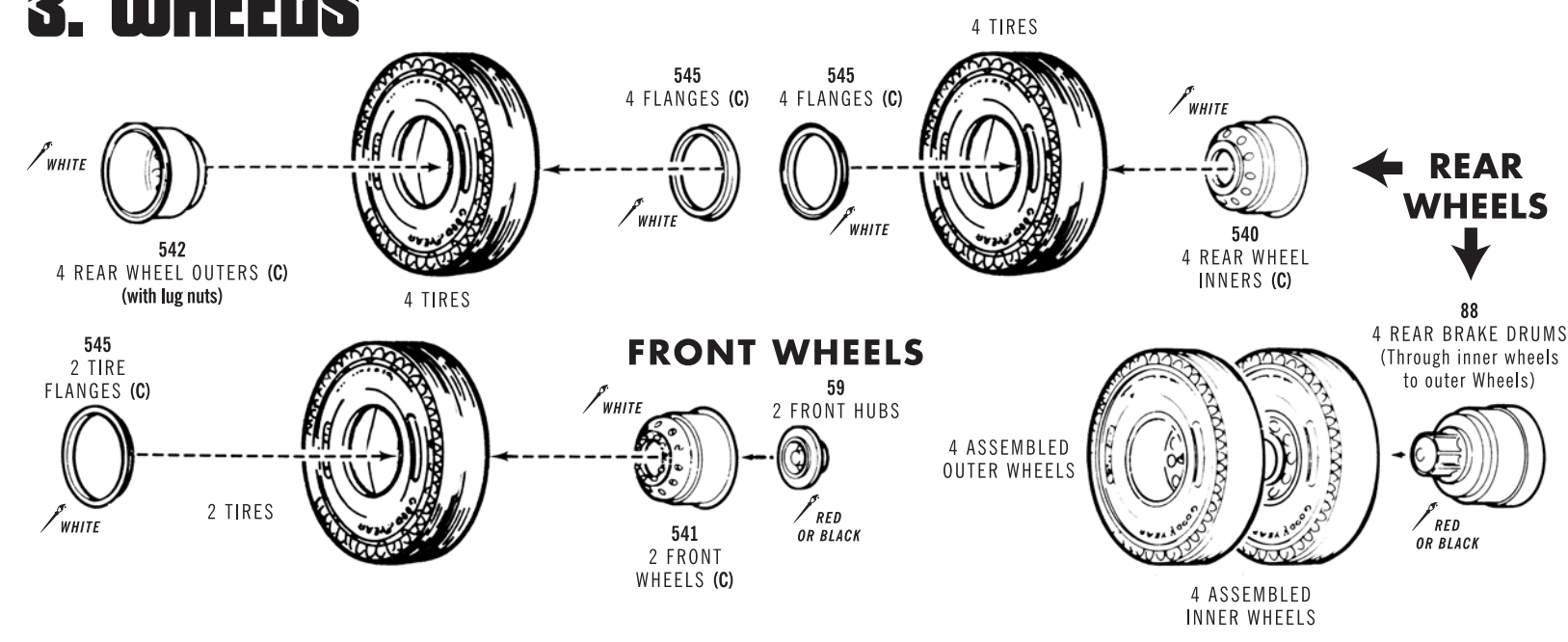
**SPECIAL NOTE**  
To easily identify parts, the numbers used on this instruction sheet match the numbers shown in the parts drawing on the bottom of the box.

## 2. ENGINE TRANSMISSION 1-7

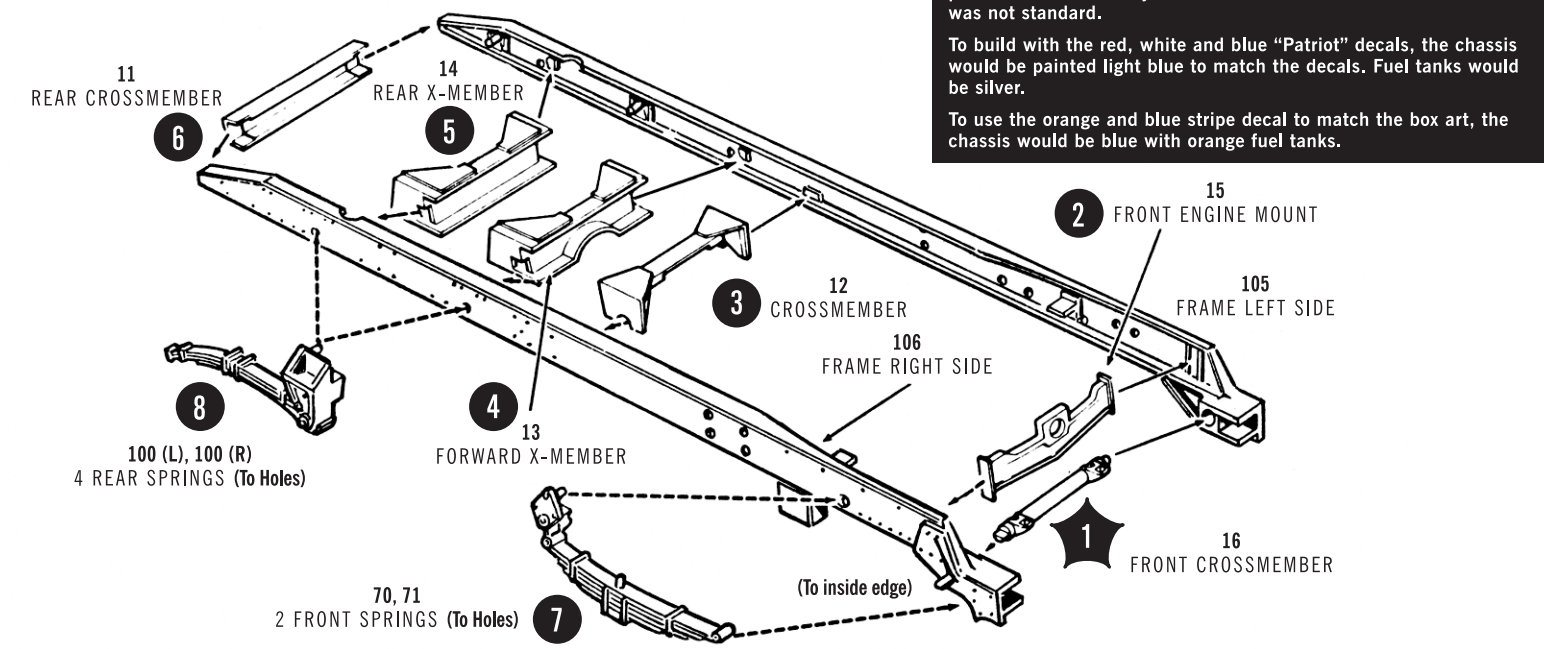


Paint transmission FLAT BLACK

## 3. WHEELS

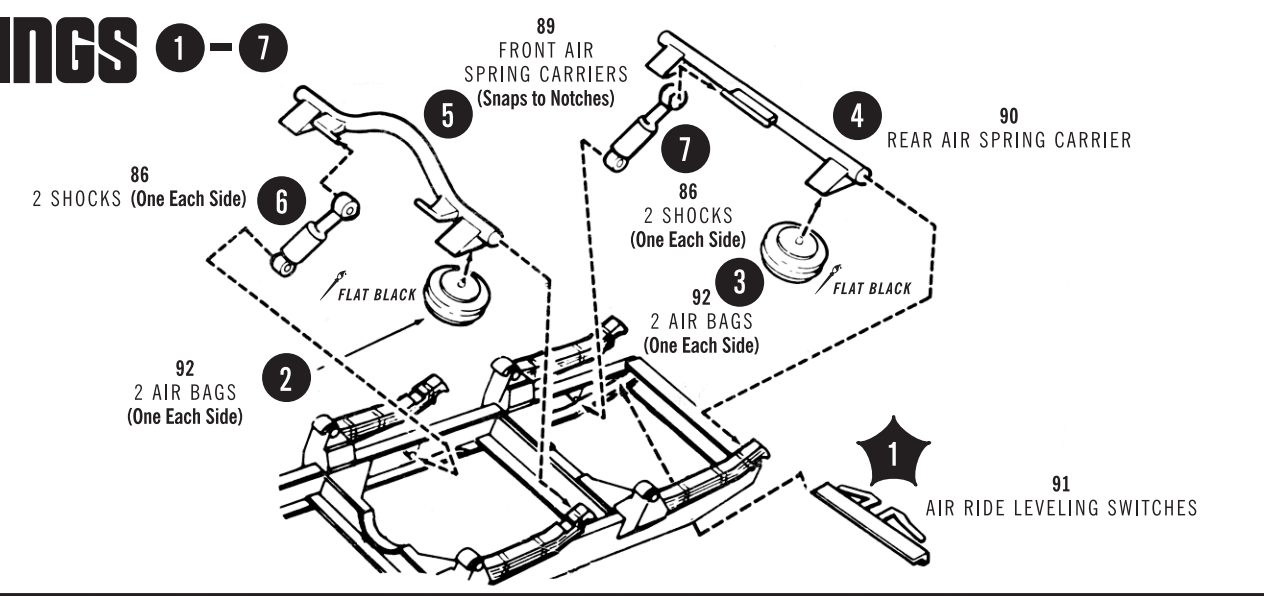


## 4. BASIC CHASSIS 1-6

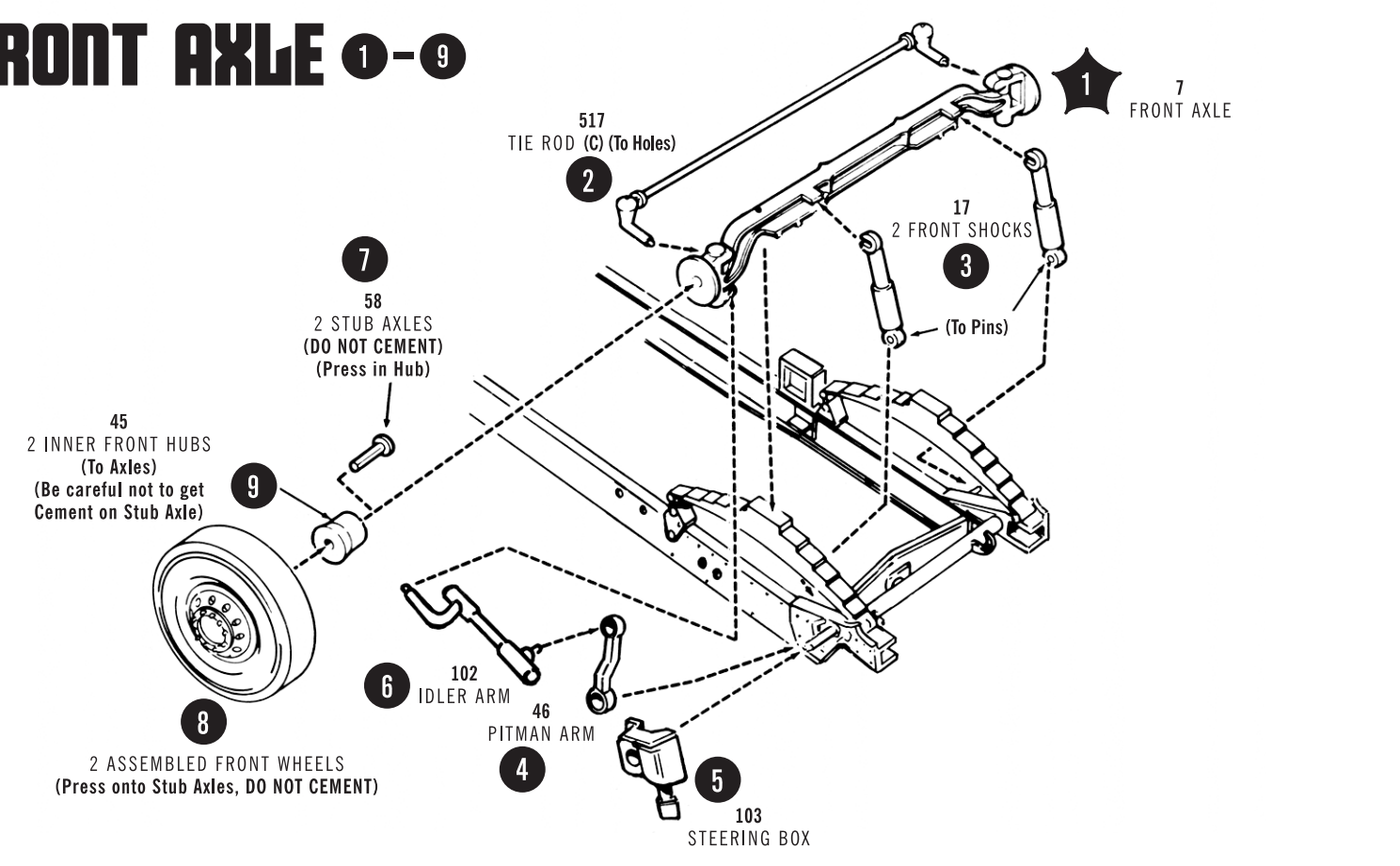


Assemble entire chassis including steps 4, 5, 6 and 7. Paint the assembled chassis minus the tires as one color. NOTE: Peterbilt painted the chassis any color the customer wanted. A black frame was not standard.  
To build with the red, white and blue "Patriot" decals, the chassis would be painted light blue to match the decals. Fuel tanks would be silver.  
To use the orange and blue stripe decal to match the box art, the chassis would be blue with orange fuel tanks.

## 5. AIR SPRINGS 1-7



## 6. FRONT AXLE 1-9



## 7. DRIVE TRAIN 1-11

