

ZOHD

TALON 250G

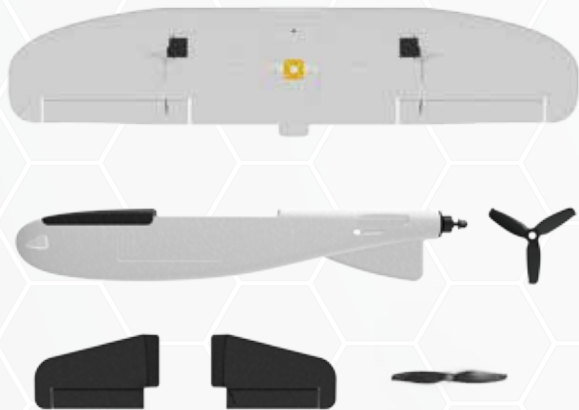
User Guide

Thank you for supporting us
buying a ZOHD TALON 250G

Stay connected with us through our social media channels:



Contact us: info@sonicmodell.com sales@sonicmodell.com
Customer service: cs@sonicmodell.com
www.zohd.net



Description of ZOHD TALON 250G:

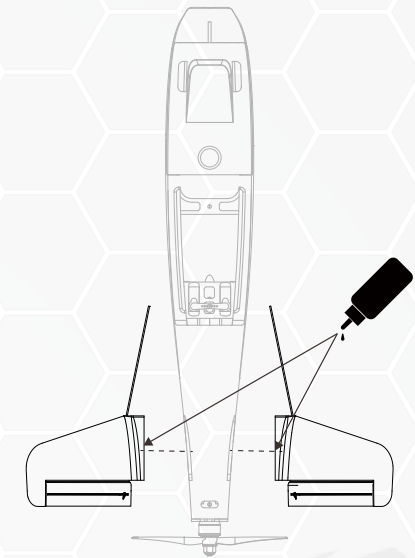
Brand Name: ZOHD
Item Name: TALON 250G
Material: High Quality EPP
Wingspan: 620mm (24.41")
Length: 452mm (17.79")
Recommended take off weight: 240-320g

OPTION A (2S Version)

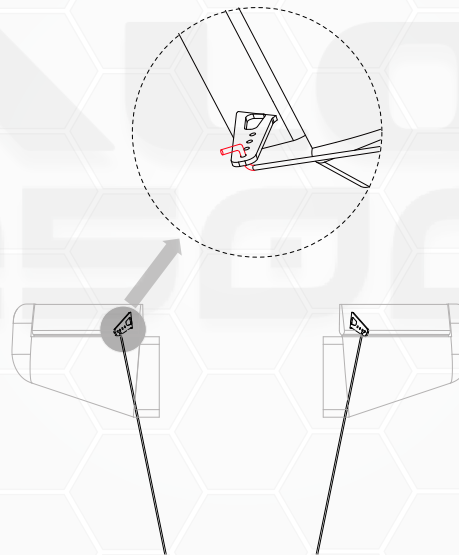
Motor: 1406-2600KV
ESC: 30A w/5V 2A BEC
Servos: 4.3g*4
Propeller: 2 blade 5x5
Recommended Battery:
Lipo 2S 900-1500mAh
ZOHD Lionpack 18650 2S1P 3500mAh

OPTION B (3S Version)

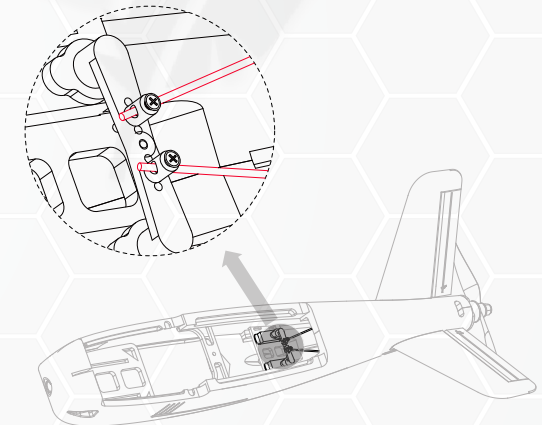
Motor: 1406-2600KV
ESC: 30A w/5V 2A BEC
Servos: 4.3g*4
Propeller: 3 blade 3x5x3
Recommended Battery:
Lipo 3S 1100-1500mAh



2. Glue the V-Tail fins in place using an EPP-safe glue.



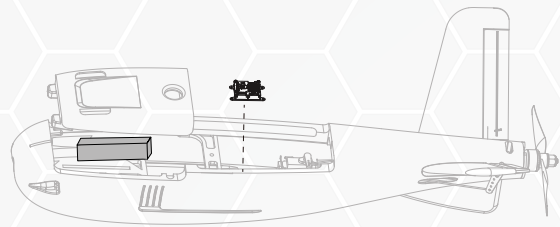
1. Install the push-rods on the control horns as shown in the picture.



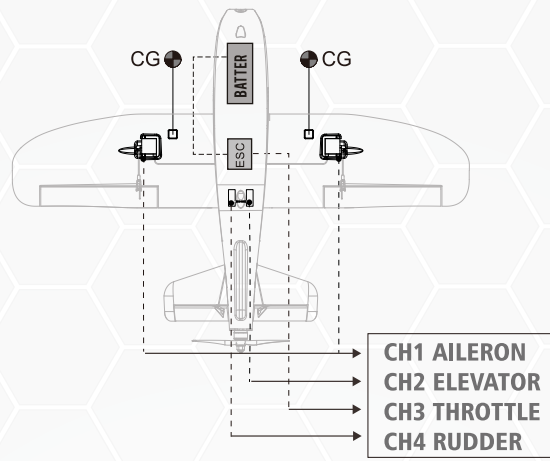
3. Install the other end of the push-rods on the servo horns. Be sure to align them properly.

ZOHD

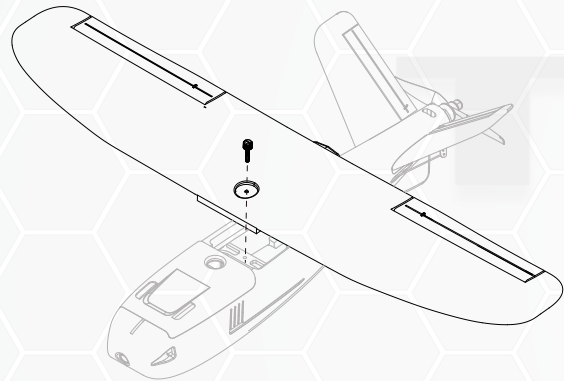
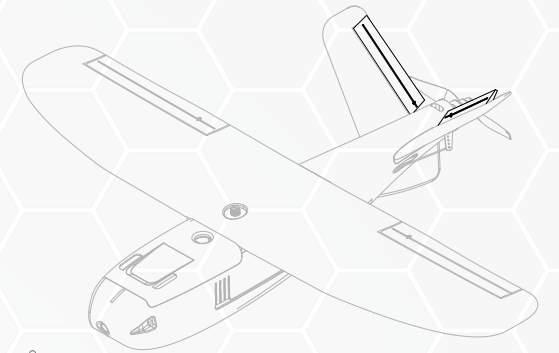
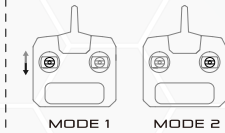
Inspiring The Future



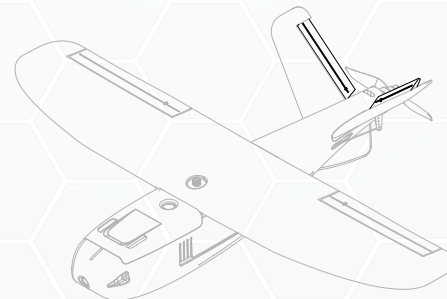
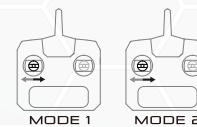
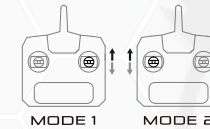
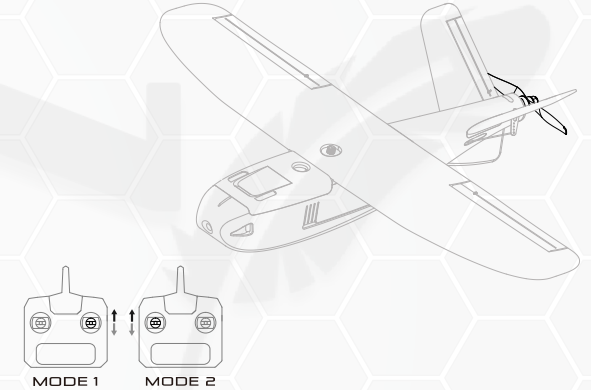
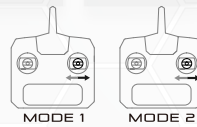
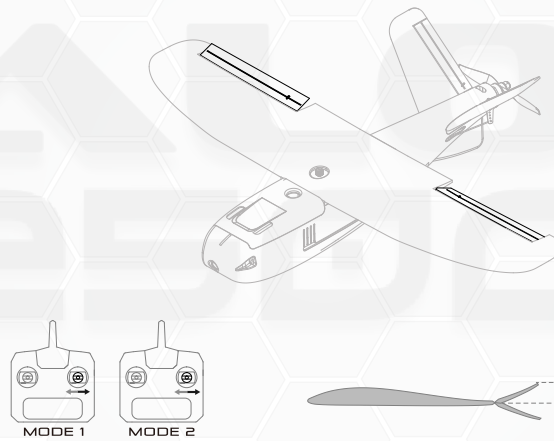
4. Install all your FPV gear and battery.



CG: 27.5mm from the leading edge



5. There is a provided thumbscrew to secure the main wing once you finish the installation.



For the ESC manual, please download the PDF version from our website: www.zohd.net