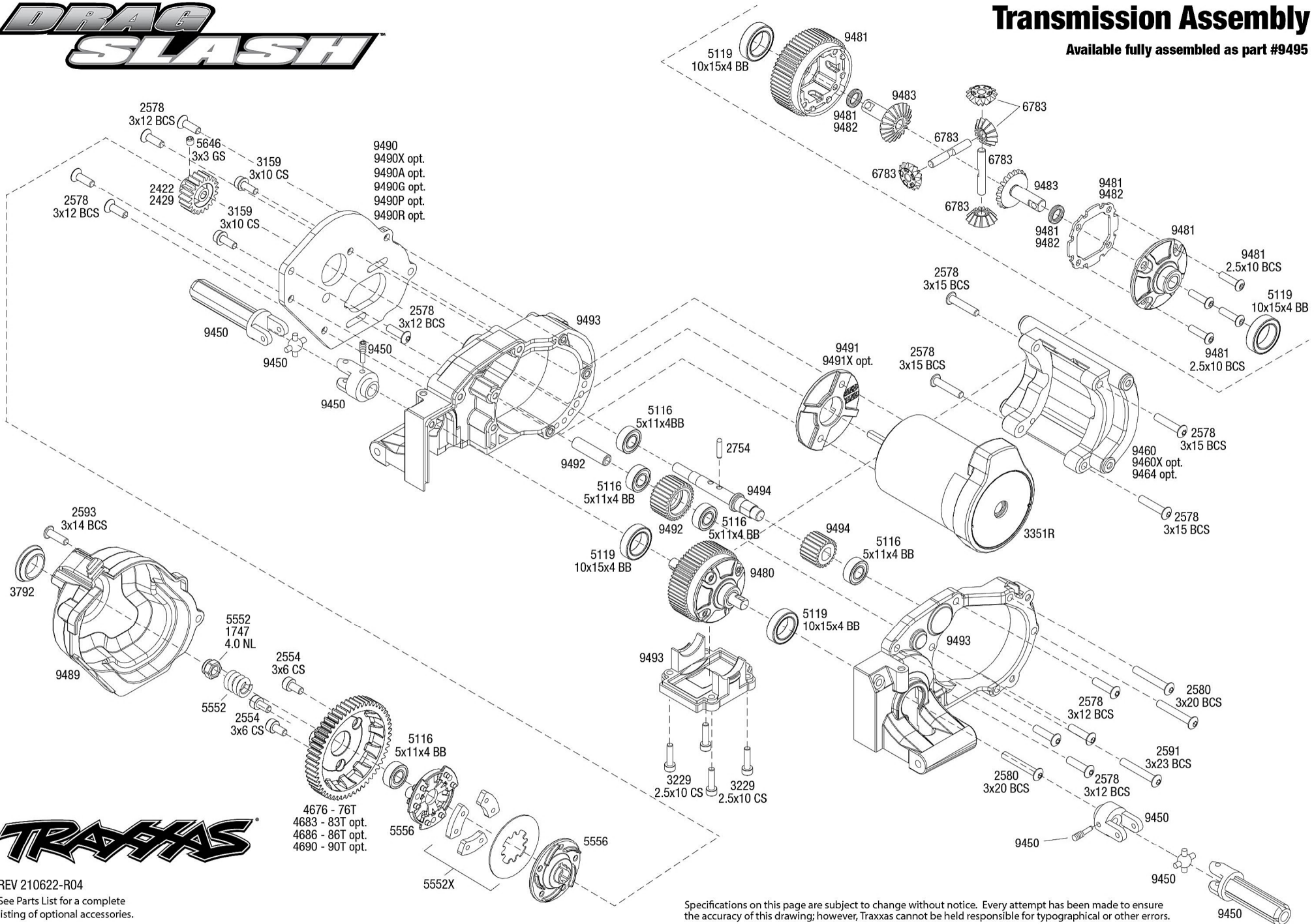


DRAG SLASH

Transmission Assembly

Available fully assembled as part #9495



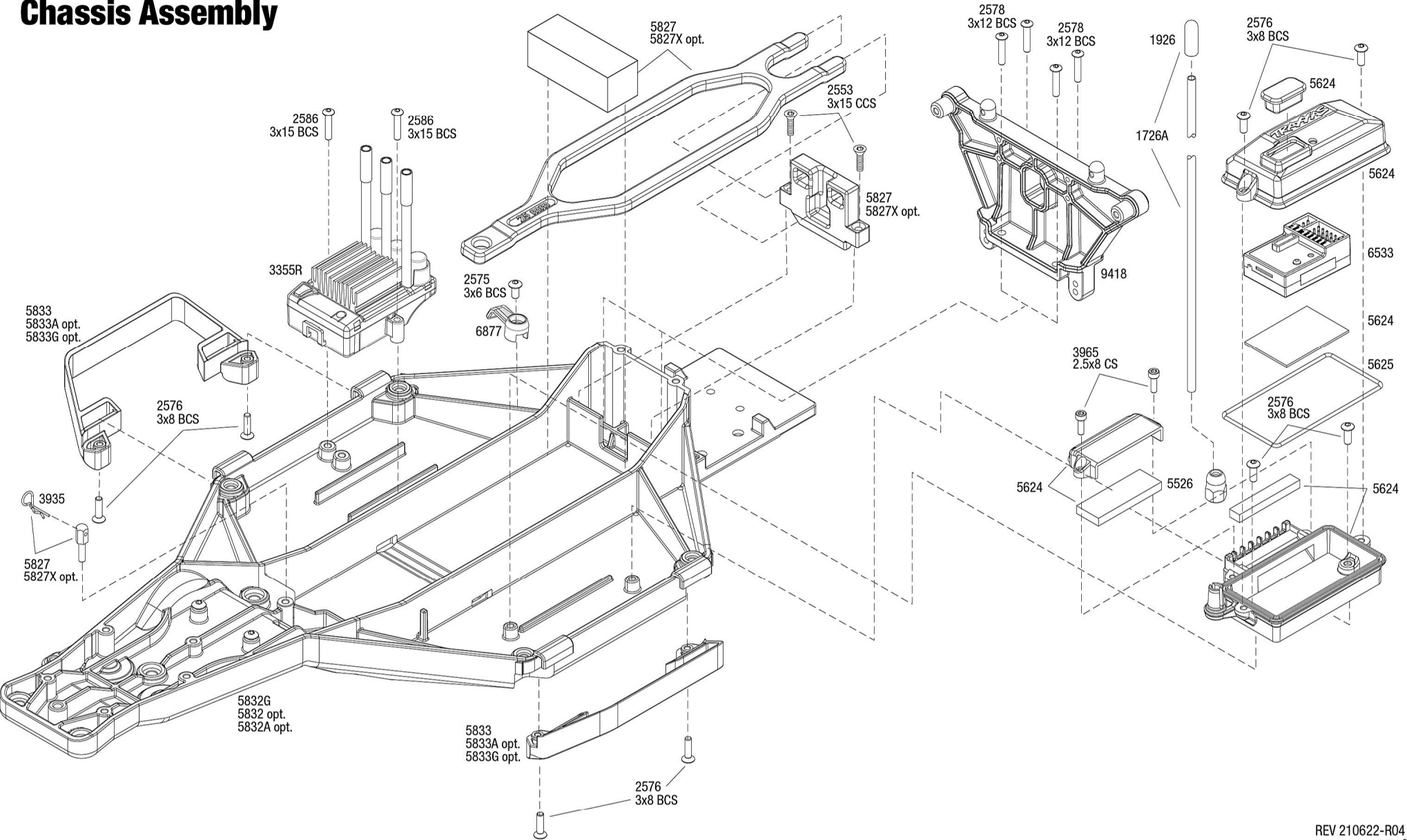
REV 210622-R04
See Parts List for a complete listing of optional accessories.

Specifications on this page are subject to change without notice. Every attempt has been made to ensure the accuracy of this drawing; however, Traxxas cannot be held responsible for typographical or other errors.

9450

DRAG SLASH

Chassis Assembly



See Parts List for a complete listing of optional accessories.

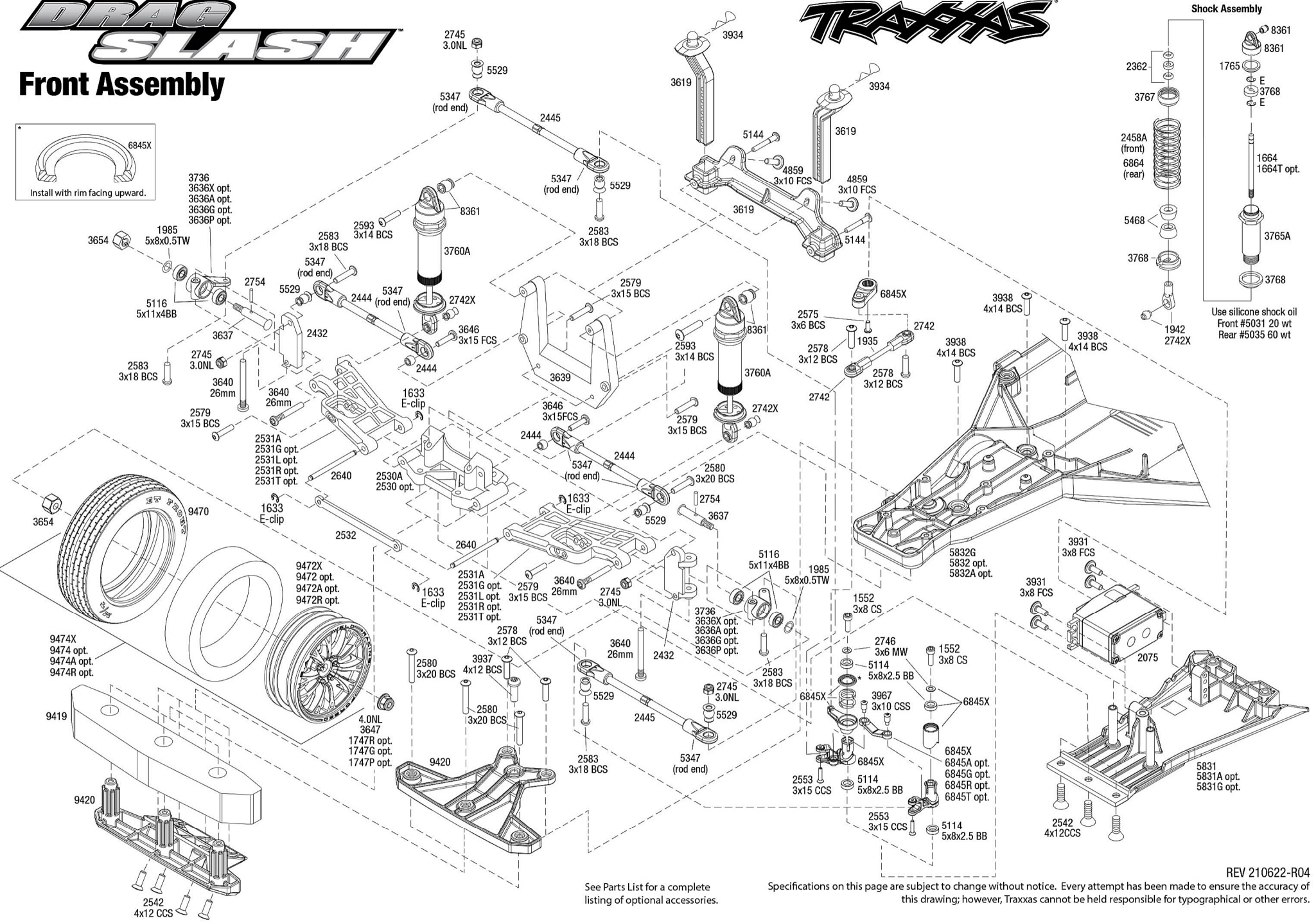
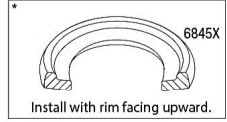
Specifications on this page are subject to change without notice. Every attempt has been made to ensure the accuracy of this drawing; however, Traxxas cannot be held responsible for typographical or other errors.

REV 210622-R04

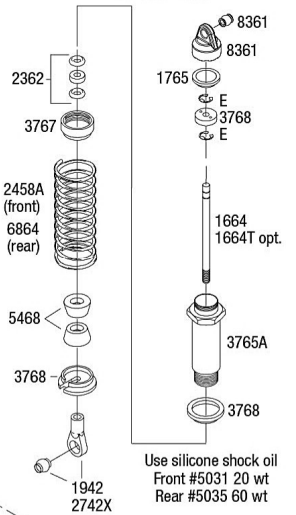
TRAXXAS

DRAG SLASH™

Front Assembly



Shock Assembly



Use silicone shock oil
 Front #5031 20 wt
 Rear #5035 60 wt

See Parts List for a complete listing of optional accessories.

Specifications on this page are subject to change without notice. Every attempt has been made to ensure the accuracy of this drawing; however, Traxxas cannot be held responsible for typographical or other errors.

REV 210622-R04

