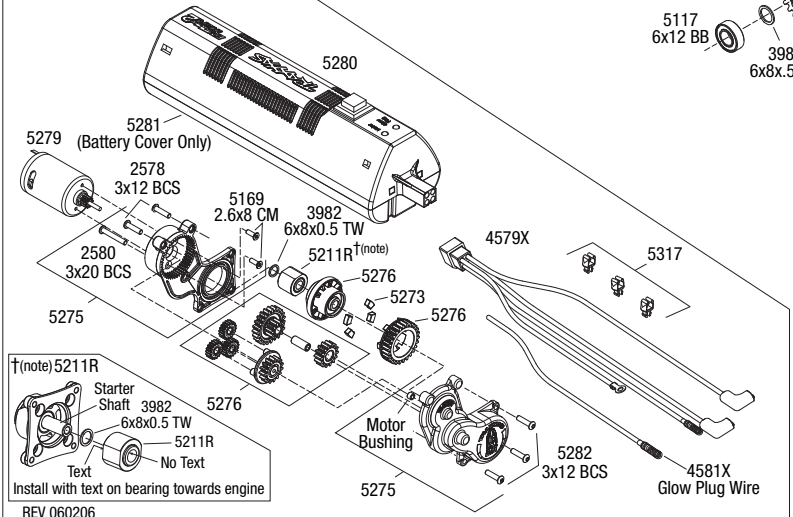


**5270R Complete EZ-Start System**



\*Apply a light coating of automotive wheel bearing grease to these gears.

Specifications on this page are subject to change without notice. Some parts listed are optional accessories. Every attempt has been made to ensure the accuracy of this drawing, however Traxxas cannot be held responsible for typographical or other errors.