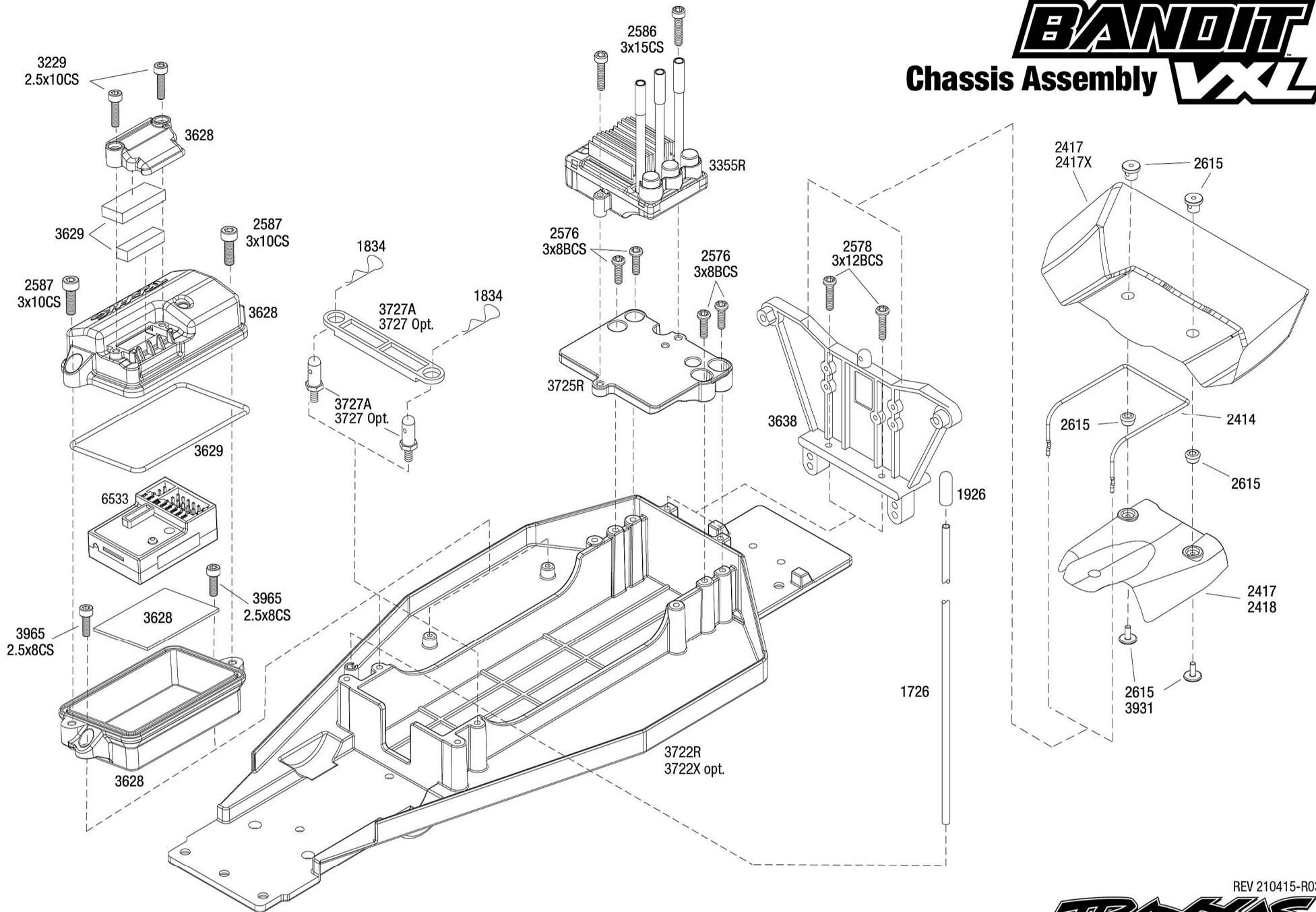


BANDIT

Chassis Assembly **VXL**

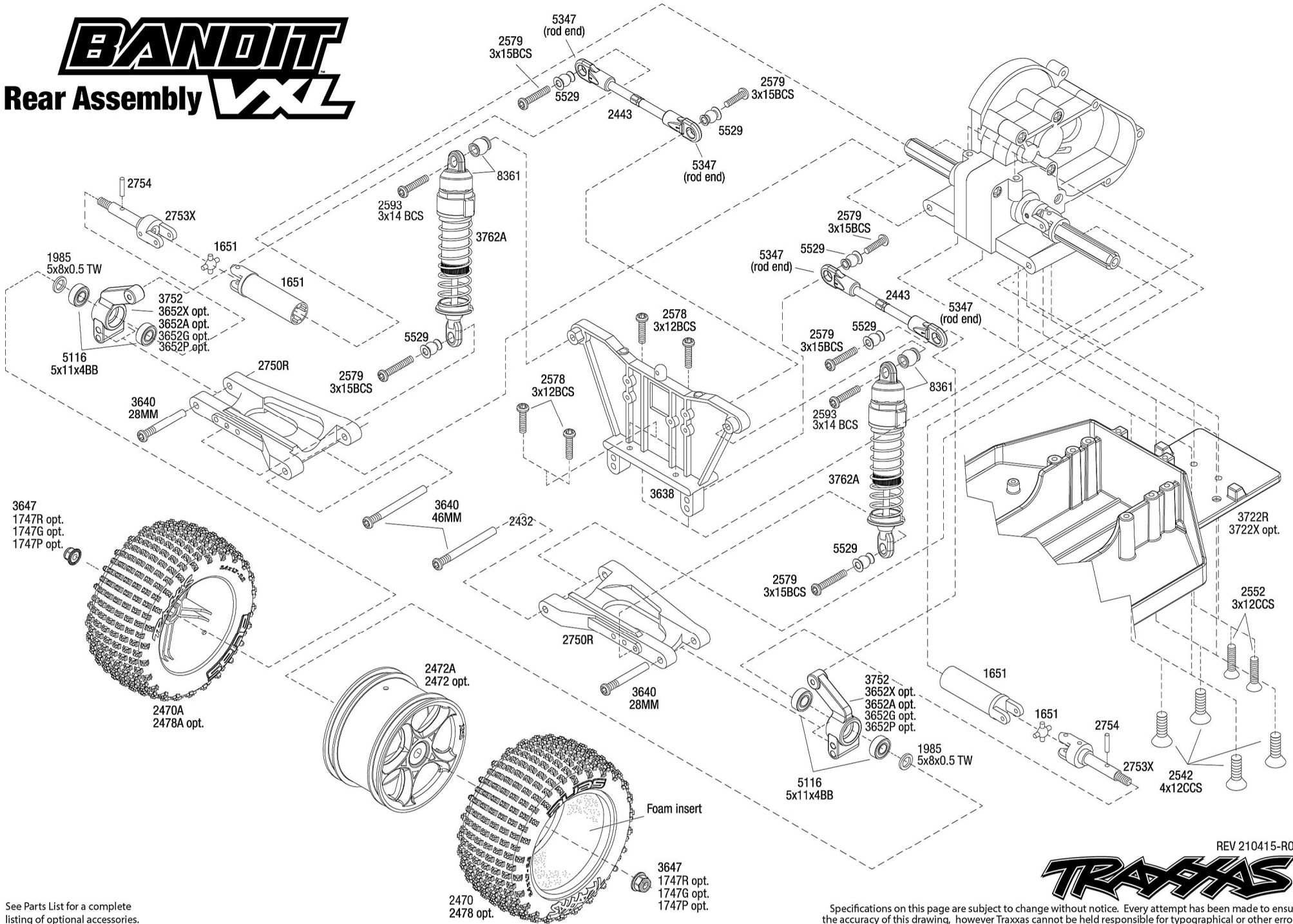


Specifications on this page are subject to change without notice. Every attempt has been made to ensure the accuracy of this drawing, however Traxxas cannot be held responsible for typographical or other errors.

See Parts List for a complete listing of optional accessories.

BANDIT

Rear Assembly **VXL**



See Parts List for a complete listing of optional accessories.

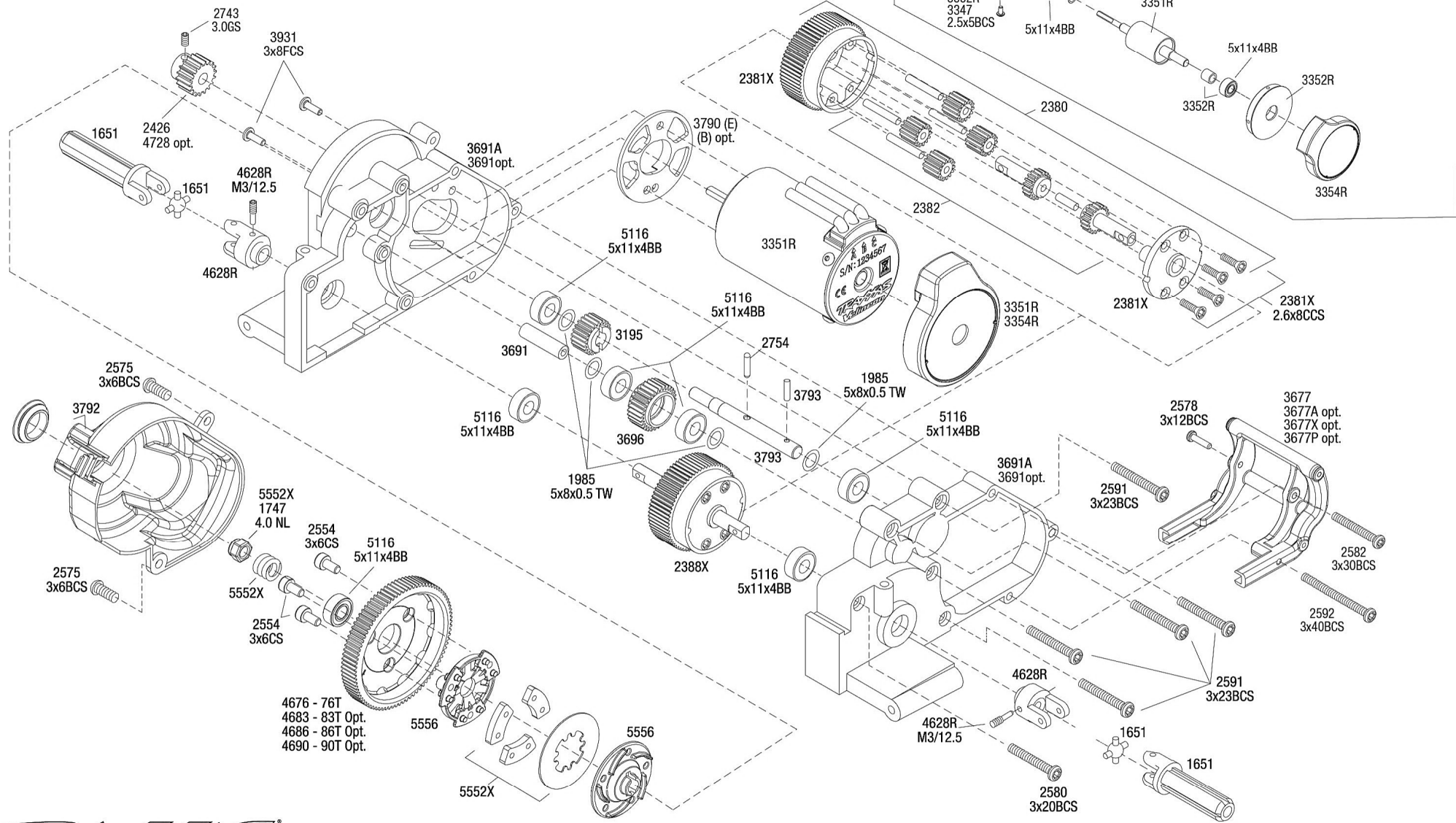
REV 210415-R03
TRAXXAS
 Specifications on this page are subject to change without notice. Every attempt has been made to ensure the accuracy of this drawing, however Traxxas cannot be held responsible for typographical or other errors.

Transmission Assembly

BANDIT

VXL

Available fully assembled as part #3695



See Parts List for a complete listing of optional accessories.

Specifications on this page are subject to change without notice. Every attempt has been made to ensure the accuracy of this drawing, however Traxxas cannot be held responsible for typographical or other errors.

REV 210415-R03