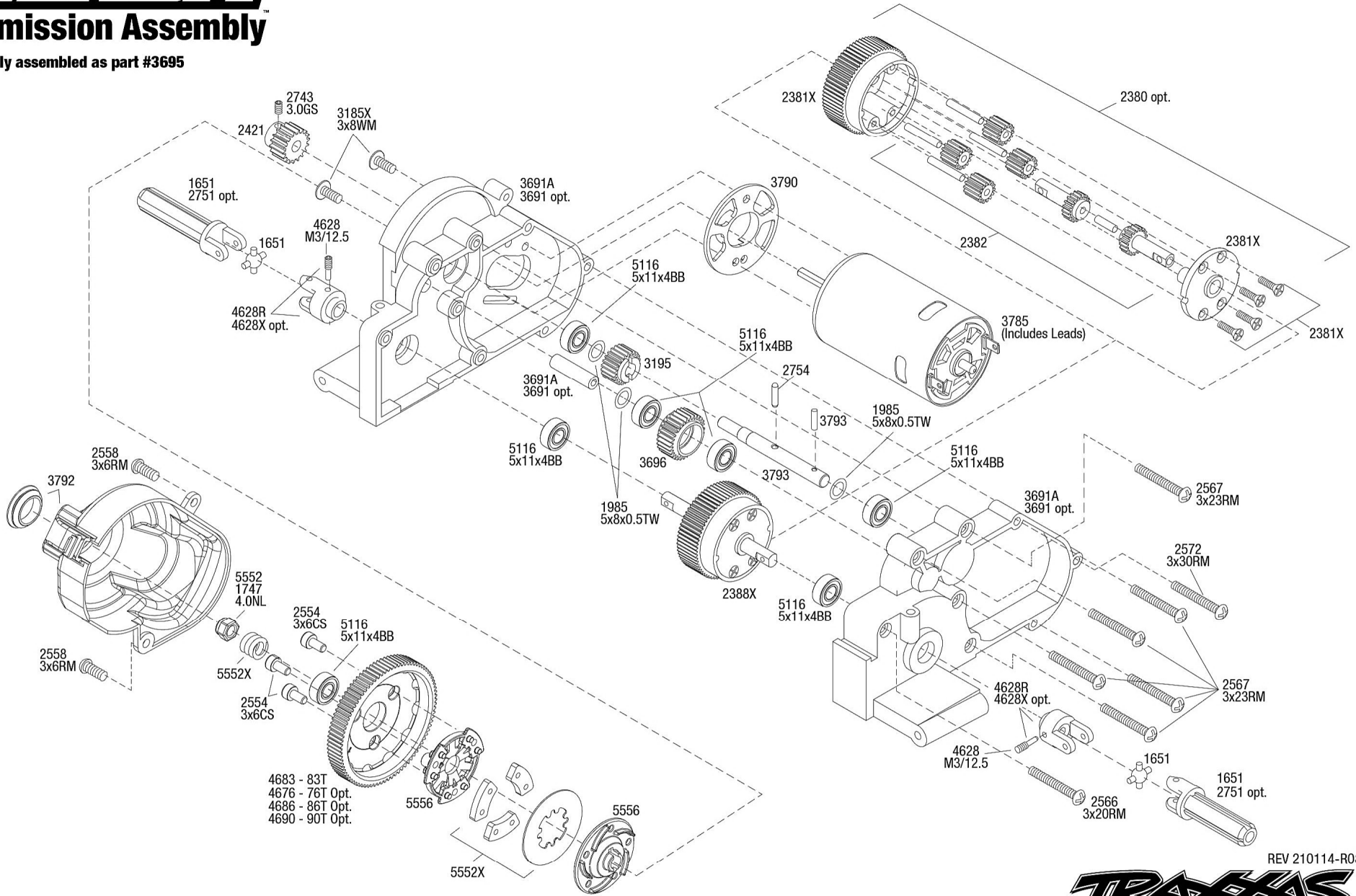


# BANDIT

## Transmission Assembly

Available fully assembled as part #3695



REV 210114-R08

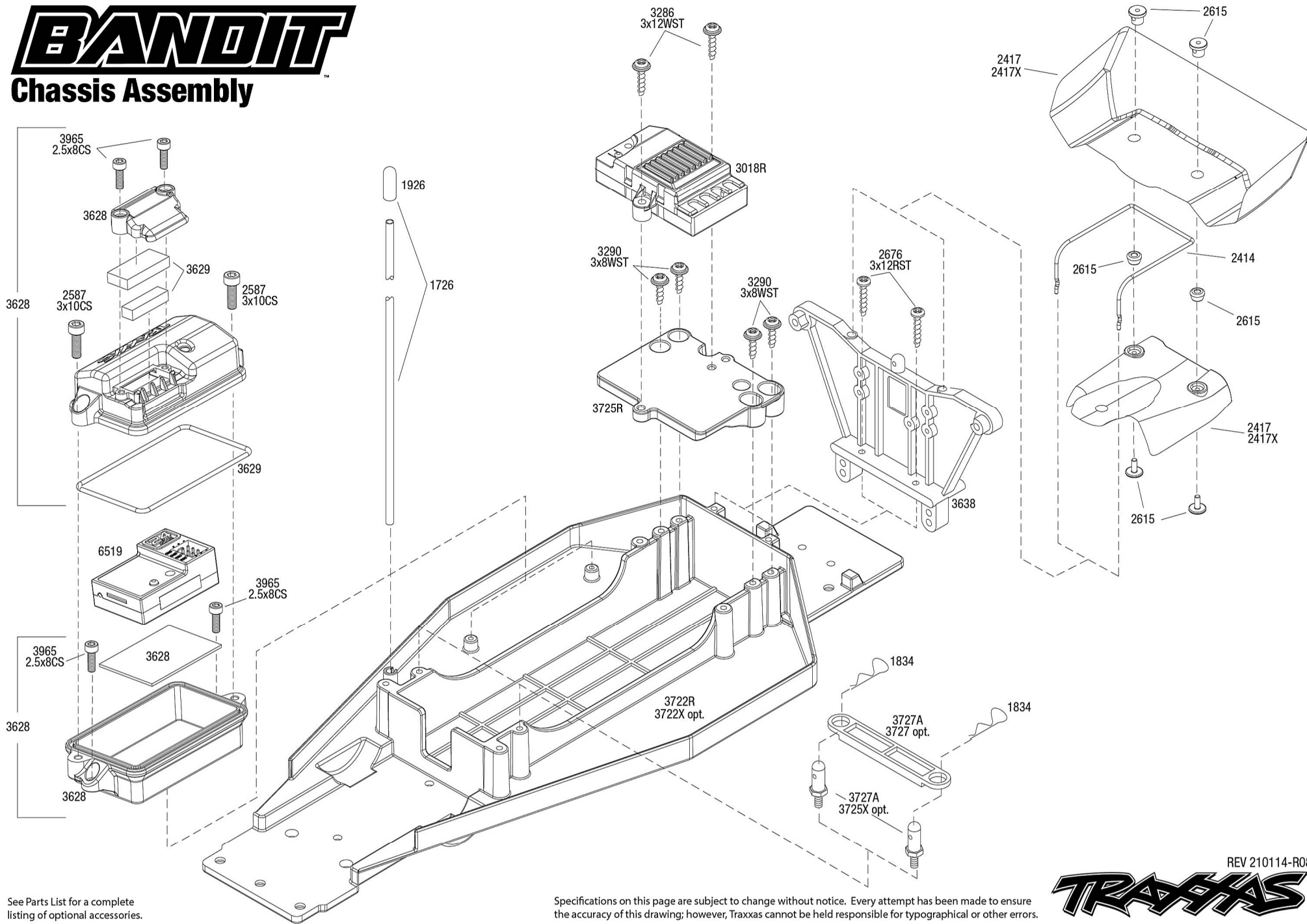


See Parts List for a complete listing of optional accessories.

Specifications on this page are subject to change without notice. Every attempt has been made to ensure the accuracy of this drawing; however, Traxxas cannot be held responsible for typographical or other errors.

# BANDIT™

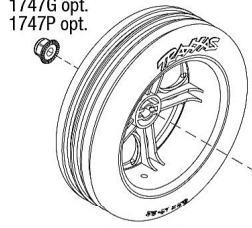
## Chassis Assembly



See Parts List for a complete listing of optional accessories.

Specifications on this page are subject to change without notice. Every attempt has been made to ensure the accuracy of this drawing; however, Traxxas cannot be held responsible for typographical or other errors.

4.ONL  
3647  
1747R opt.  
1747G opt.  
1747P opt.



2471R  
2479R opt.  
2479A opt.

1985  
5x8x0.5TW

3186  
3x12WM  
2742

1937  
54MM

3186  
3x12WM

2742

2593  
3x14 BCS

8361

3760A  
2660 opt.

2742

3636  
3636A opt.  
3636X opt.  
3636G opt.  
3636P opt.

2.5x31.5

3740

3642  
3x12x5SS

2441A  
2441  
67MM

2742

3775  
5x8x2.50B  
5114 opt.

2437

2432

2637  
31.5MM

2563  
3x15RM

2735  
2735P opt.

2548  
4x12CM

2473  
2473A opt.

2471  
2479 opt.

4.ONL  
3647  
1747R opt.  
1747G opt.  
1747P opt.

2563  
3x15RM

3186  
3x12WM

2637  
31.5MM

2742

3740  
2.5x31.5

2432

3740  
2.5x31.5

3775  
5x8x2.50B  
2742

3186  
3x12WM

1985  
5x8x0.5TW

3742  
3x30CSS

2746  
3x6MM

2746  
3x6MM

2746  
3x6MM

2746  
3x6MM

2746  
3x6MM

2746  
3x6MM

2746  
3x6MM

2746  
3x6MM

2746  
3x6MM

2746  
3x6MM

2746  
3x6MM

2746  
3x6MM

2746  
3x6MM

2746  
3x6MM

2746  
3x6MM

3639

2746

3288  
3x15WST

2593  
3x14 BCS

8361

3760A  
2660 opt.

2742

3642  
3x12x5SS

2746

3288  
3x15WST

2593  
3x14 BCS

8361

3760A  
2660 opt.

2742

3186  
3x12WM

2742

3187  
3x15WM

2742

28mm  
Threaded Rod

2742

3186  
3x12WM

2742

2745  
3.ONL

3290  
3x8WST

3744

2675  
3x10RST

3744

2056  
2075 opt.

3290  
3x8WST

2649  
3x12CST

3723A  
3723 opt.

2362

3767

F-2458A  
2458  
2458P opt.

R-2457A  
2457  
2457P opt.

2362

3768

F-1664  
1664T opt.

R-2765  
2765T opt.

1765  
E  
3768  
E

8361

F-3765A  
R-3766A

3769

3768

Use #1666 silicone shock oil

2649  
3x12CST

3723A  
3723 opt.

1834

3167  
4x15CM

2530A  
(Shown for Clarity)

2545  
5x8x2.5PB  
5114 opt.

3743

3743A  
opt.

3743X  
opt.

3743P  
opt.

2545  
5x8x2.5PB  
5114 opt.

3743

2746  
3x6MM

2746  
3x6MM

2746  
3x6MM

2545  
5x8x2.5PB  
5114 opt.

3743

2746  
3x6MM

2746  
3x6MM

2746  
3x6MM

2545  
5x8x2.5PB  
5114 opt.

3743

2746  
3x6MM

2746  
3x6MM

2746  
3x6MM

2545  
5x8x2.5PB  
5114 opt.

3743

2746  
3x6MM

2746  
3x6MM

2746  
3x6MM

2545  
5x8x2.5PB  
5114 opt.

3743

2746  
3x6MM

2746  
3x6MM

2746  
3x6MM

2545  
5x8x2.5PB  
5114 opt.

3743

2746  
3x6MM

2746  
3x6MM

2746  
3x6MM

2545  
5x8x2.5PB  
5114 opt.

3743

2746  
3x6MM

2746  
3x6MM

2746  
3x6MM

2545  
5x8x2.5PB  
5114 opt.

3743

2746  
3x6MM

2746  
3x6MM

2746  
3x6MM

2545  
5x8x2.5PB  
5114 opt.

3743

2746  
3x6MM

2746  
3x6MM

2746  
3x6MM

**TRAXXAS**

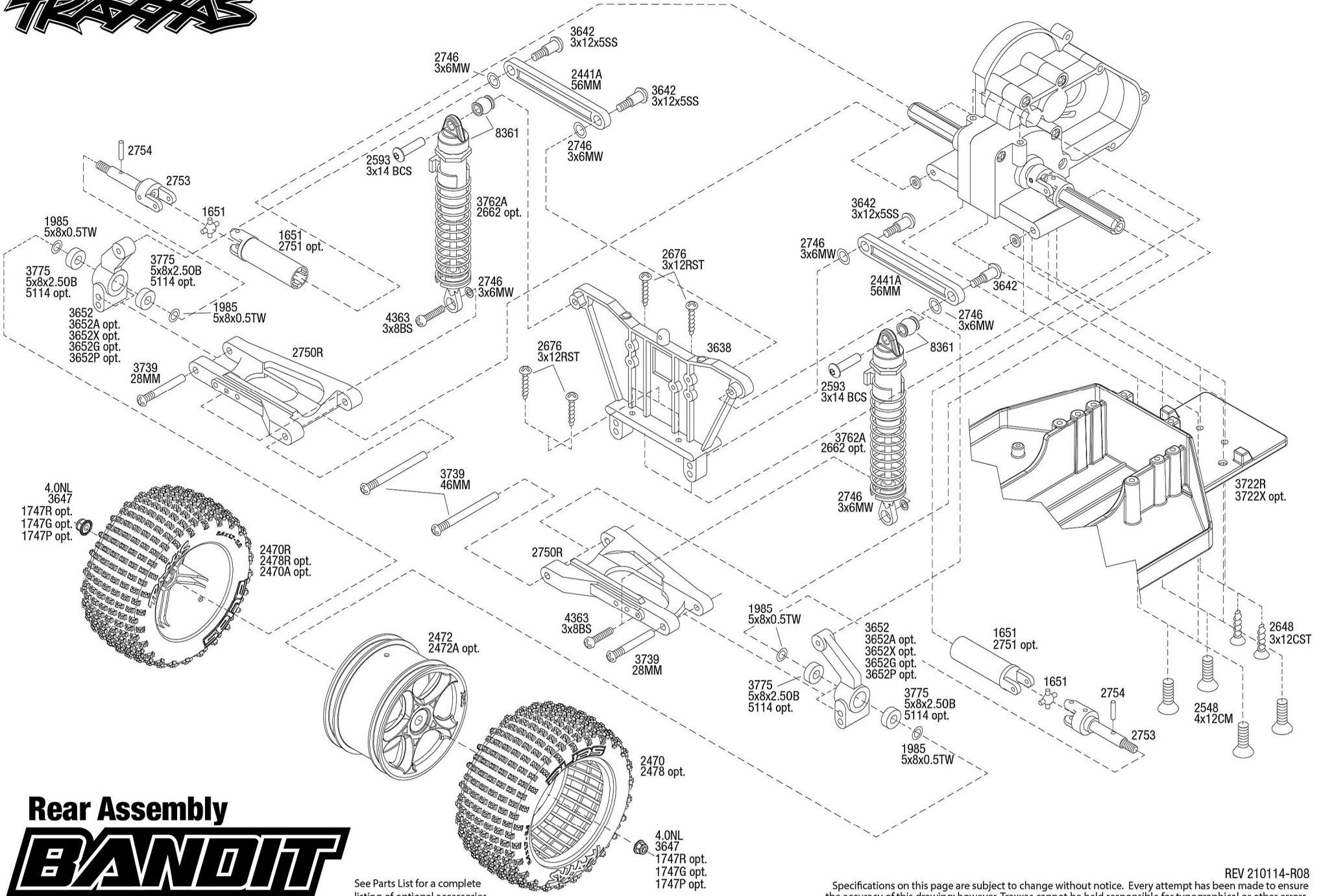
REV 210114-R08

Specifications on this page are subject to change without notice. Every attempt has been made to ensure the accuracy of this drawing; however, Traxxas cannot be held responsible for typographical or other errors.

See Parts List for a complete listing of optional accessories.

Front Assembly

**BANDIT**



# Rear Assembly

# BANDIT

See Parts List for a complete listing of optional accessories.

REV 210114-R08  
 Specifications on this page are subject to change without notice. Every attempt has been made to ensure the accuracy of this drawing; however, Traxxas cannot be held responsible for typographical or other errors.