

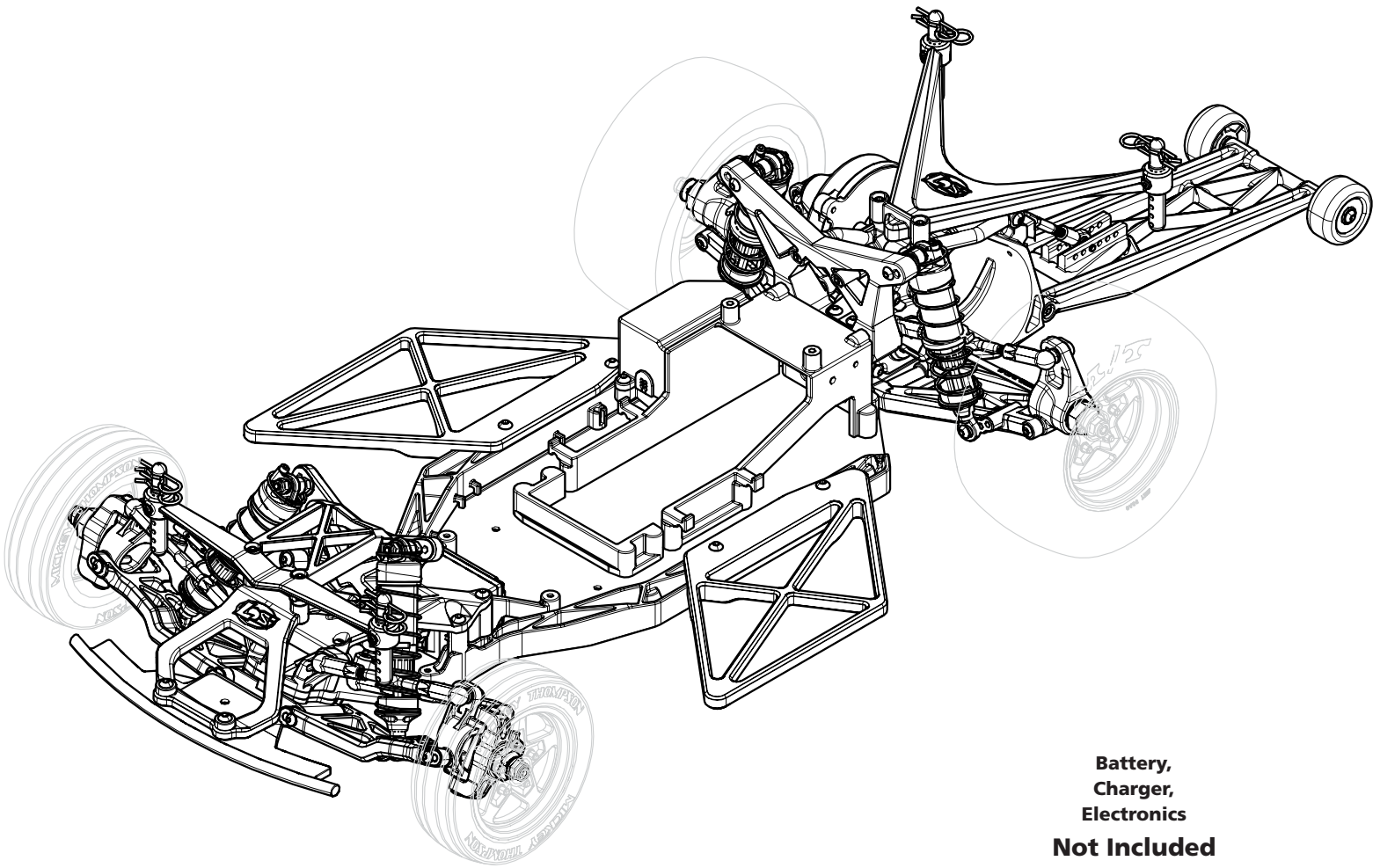


Scan the QR code and select the
Manuals & Support tab from the product
page for the most up-to-date information



PPS™

NO PREP DRAG ROLLER 1/10 2WD



**Battery,
Charger,
Electronics
Not Included**

**INSTRUCTION MANUAL
BEDIENUNGSANLEITUNG
MANUEL D'UTILISATION
MANUALE DI ISTRUZIONI**

Before operating this vehicle, please read all
printed materials thoroughly. Horizon Hobby is not
responsible for inadvertent errors in this manual.

HORIZON
H O B B Y

NOTICE

All instructions, warranties and other collateral documents are subject to change at the sole discretion of Horizon Hobby, LLC. For up-to-date product literature, visit horizonhobby.com or towerhobbies.com and click on the support or resources tab for this product.

MEANING OF SPECIAL LANGUAGE

The following terms are used throughout the product literature to indicate various levels of potential harm when operating this product:

WARNING: Procedures, which if not properly followed, create the probability of property damage, collateral damage, and serious injury OR create a high probability of superficial injury.

CAUTION: Procedures, which if not properly followed, create the probability of physical property damage AND a possibility of serious injury.

NOTICE: Procedures, which if not properly followed, create a possibility of physical property damage AND a little or no possibility of injury.

WARNING: Read the ENTIRE instruction manual to become familiar with the features of the product before operating. Failure to operate the product correctly can result in damage to the product, personal property and cause serious injury.

This is a sophisticated hobby product. It must be operated with caution and common sense and requires some basic mechanical ability. Failure to operate this Product in a safe and responsible manner could result in injury or damage to the product or other property. This product is not intended for use by children without direct adult supervision. Do not use with incompatible components or alter this product in any way outside of the instructions provided by Horizon Hobby, LLC. This manual contains instructions for safety, operation and maintenance. It is essential to read and follow all the instructions and warnings in the manual, prior to assembly, setup or use, in order to operate correctly and avoid damage or serious injury.

WARNING AGAINST COUNTERFEIT PRODUCTS Always purchase from a Horizon Hobby, LLC authorized dealer to ensure authentic high-quality Spektrum product. Horizon Hobby, LLC disclaims all support and warranty with regards, but not limited to, compatibility and performance of counterfeit products or products claiming compatibility with DSM or Spektrum.

Age Recommendation: Not for children under 14 years. This is not a toy.

SAFETY PRECAUTIONS AND WARNINGS

As the user of this product, you are solely responsible for operating in a manner that does not endanger yourself and others or result in damage to the product or property of others.

This model is controlled by a radio signal subject to interference from many sources outside your control. This interference can cause momentary loss of control, so it is advisable to always keep a safe distance in all directions around your model as this margin will help avoid collisions or injury.

- Never operate your model with low transmitter batteries.
- Always operate your model in open spaces away from full-size vehicles, traffic and people.
- Never operate the model in the street or in populated areas for any reason.
- Carefully follow the directions and warnings for this and any optional support equipment (chargers, rechargeable battery packs, etc.) you use.
- Keep all chemicals, small parts and anything electrical out of the reach of children.

- Never lick or place any portion of the model in your mouth as it could cause serious injury or even death.
- Exercise caution when using tools and sharp instruments.
- Take care during maintenance as some parts may have sharp edges.
- Immediately after using your model, do NOT touch equipment such as the motor, electronic speed control and battery, because they generate high temperatures. You may burn yourself seriously touching them.
- Do not put fingers or any objects inside rotating and moving parts, as this may cause damage or serious injury.
- Always turn on your transmitter before you turn on the receiver in the car. Always turn off the receiver before turning your transmitter off.
- Keep the wheels of the model off the ground when checking the operation of the radio equipment.

TABLE OF CONTENTS

BOX CONTENTS	2	DRIVING PRECAUTIONS	7
QUICK START	3	POWERING ON THE VEHICLE	7
INSTALL THE MOTOR	3	BEFORE RUNNING YOUR VEHICLE	7
SETTING THE GEAR MESH	3	RUN TIME	7
INSTALL THE SERVO	3	TO IMPROVE RUN TIMES	7
INSTALL THE ESC	4	PERFORMING A CONTROL DIRECTION TEST	7
INSTALL THE RECEIVER	4	TROUBLESHOOTING GUIDE	7
INSTALL THE BATTERY	5	2-YEAR LIMITED WARRANTY	8
WHEELIE BAR ADJUSTMENT	5	WARRANTY AND SERVICE CONTACT INFORMATION	8
ROUGH TUNING	5	COMPLIANCE INFORMATION FOR THE EUROPEAN UNION	8
FINE TUNING	5	EXPLODED VIEW	29–33
CAMBER ADJUSTMENT	5	REPLACEMENT PARTS	34–35
TOE ADJUSTMENT	5	RECOMMENDED PARTS	35
REAR DIFFERENTIAL REMOVAL	6	OPTIONAL PARTS	36–37

BOX CONTENTS

INCLUDED	REQUIRED COMPONENTS	RECOMMENDED COMPONENTS	PART NUMBER	REQUIRED TOOLS
Losi® Brushless 22S No Prep Drag Roller	2+ Channel Radio Control System	Spektrum DX5C DSMR 5CH TX Only, SR315 Receiver	SPM5115 SPMSR315	1.5mm Hex Driver
	High Torque Steering Servo	Spektrum 6KG Waterproof Servo	SPMS606	2.0mm Hex Driver
	ESC	Spektrum Firma 100 Amp Smart ESC	SPMXSE1100	2.5mm Hex Driver
	Motor	Spektrum 3652 4-Pole Brushless Motor 6500Kv	SPMXSM2800	5.5mm Nut Driver
	Pinion	16T	See parts list	7.0mm Nut Driver
	2S Hardcase LiPo Battery	50C or Higher Spektrum 2S Smart Hardcase LiPo with IC5	SPMX50002S100H5	
	Charger	Spektrum SMART S1200 DC Charger, 1x200W	SPMXC1000	

QUICK START

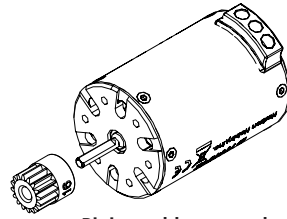
Please read the entire manual to gain a full understanding of the 22S Roller, fine-tuning the setup and performing maintenance.

1. Read the safety precautions found in this manual.
2. Install the motor, receiver, ESC, and steering servo.*
3. Connect the steering drag link to the servo saver.
4. Route the servo and ESC wires, and connect them to the receiver.
5. Charge a battery* for the vehicle. Refer to your charger* manual for important charging warnings and instructions.
6. Install the fully charged battery in the vehicle.
7. Bind the receiver to the transmitter. Verify the controls are centered.
8. Mount the servo saver to the servo with steering centered.
9. Adjust the servo direction and travel as needed in the transmitter.
10. Calibrate the ESC.
11. Install the cover on the receiver.
12. Verify the steering and throttle control directions. Reverse the servo in the transmitter if the steering is reversed. Reverse the motor with the wire connections or ESC settings if the throttle is backward.
13. Install the wheels.
14. Drive your vehicle.
15. Disconnect the battery when done driving.

*Electronics not included

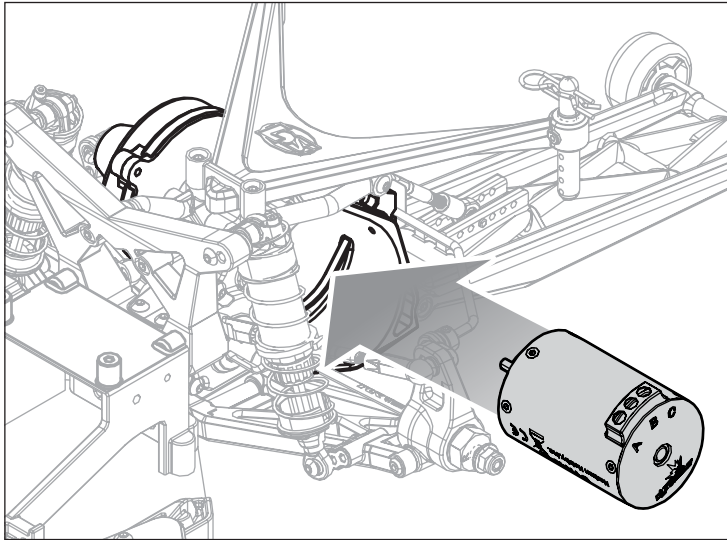
INSTALL THE MOTOR

1. Install the pinion gear on the motor. Place the pinion on the end of the motor shaft so the set screw is located over the flat on the shaft.
2. Position it so the teeth line up with the spur gear and secure the pinion by tightening the set screw.
3. Install the motor. Two slots will line up with the motor mounting holes. The motor can slide forward or back to obtain proper gear mesh.



Pinion sold separately

CAUTION: It is important to set the gear mesh properly. Failure to do so will result in stripped gears.

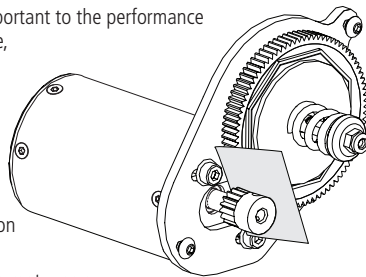


4. Install the gear cover.

SETTING THE GEAR MESH

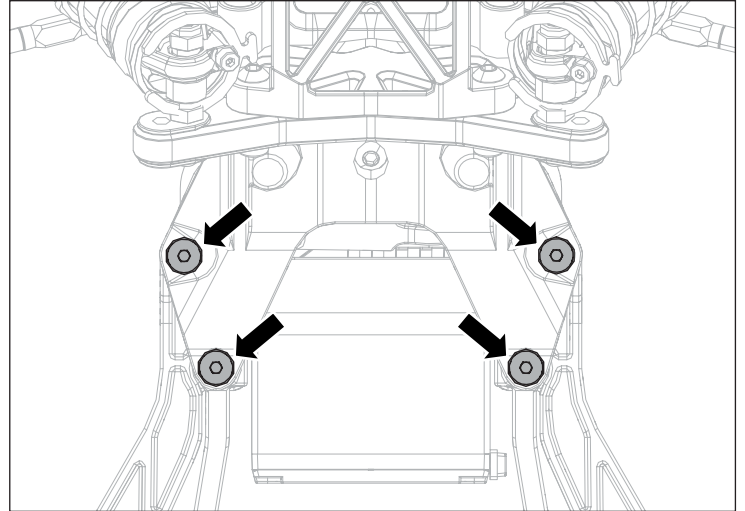
Proper gear mesh (how gear teeth meet) is important to the performance of the vehicle. When the gear mesh is too loose, the spur gear could be damaged by the pinion gear of the motor. If the mesh is too tight, speed could be limited and the motor and ESC will overheat.

1. Loosen the motor screws and slide the motor back.
2. Put a small piece of paper between the pinion and spur gears.
3. Push the gears together while tightening the motor screws.
4. Remove the paper. Check the mesh at 3–5 different locations around the spur gear for a small amount of movement.

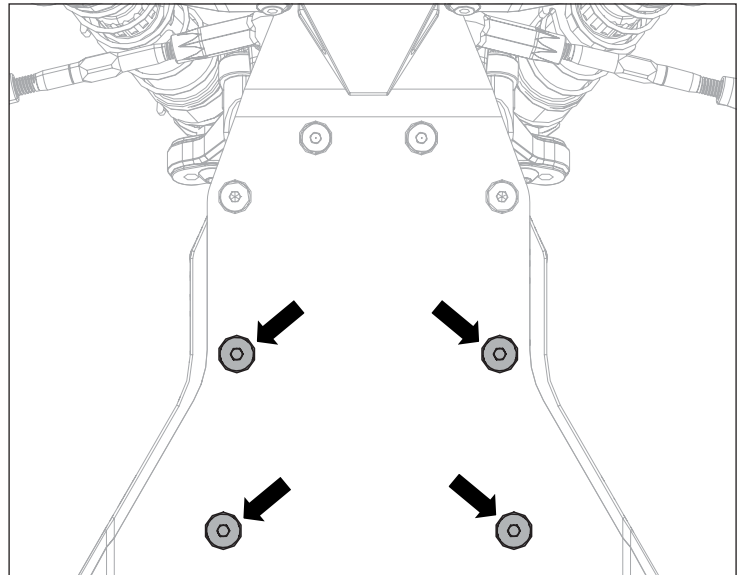


INSTALL THE SERVO

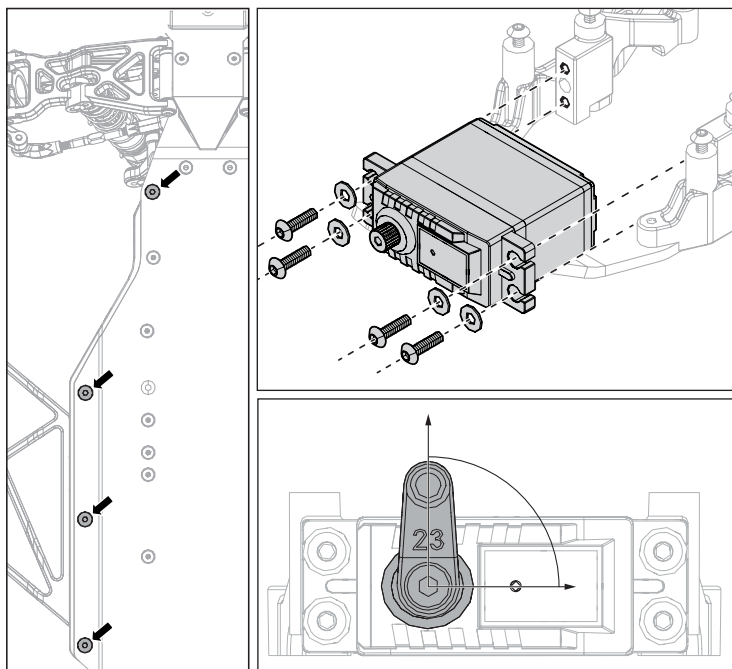
1. Using a 2mm hex driver, remove the four (4) screws on the top of the front-end brace.



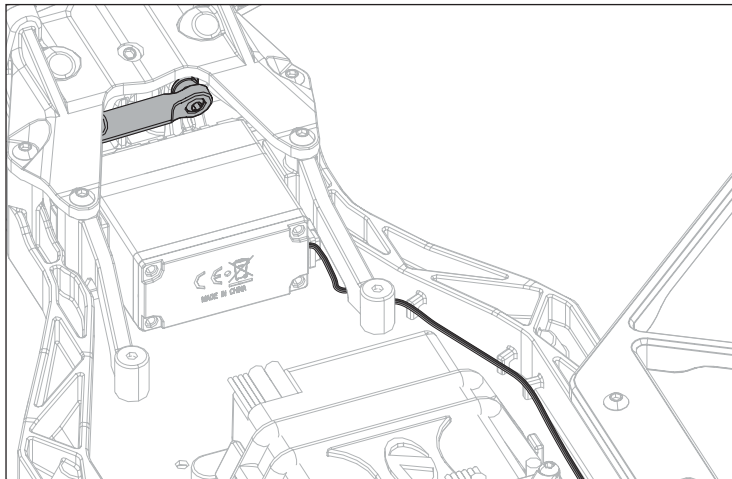
2. Remove the four (4) screws that secure the servo mounting bracket to the chassis.



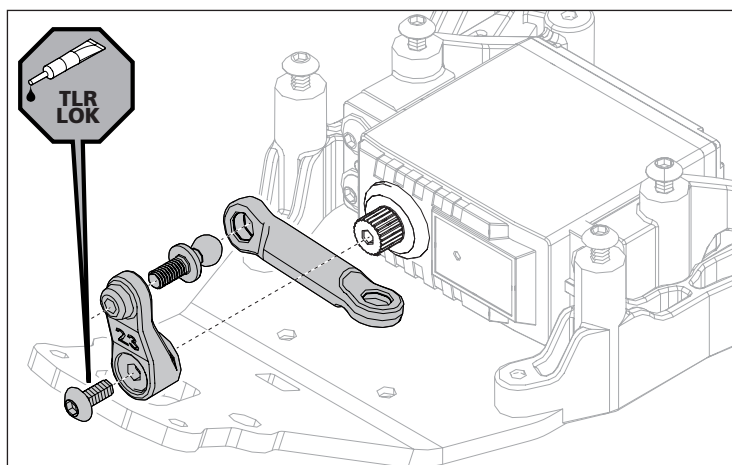
- Remove the four (4) screws that hold the right-side mud guard.
- Remove the servo brackets from the chassis, and mount the servo with the output shaft toward the right side of the chassis.



- Remove the servo horn from the steering link.
 - Center the steering servo by plugging the servo into the receiver, or using a servo checker. Install the servo horn so the ball is 90°.
- NOTE:** Before installing the servo horn, verify the transmission servo trim is centered.
- Slide the servo into position on the chassis, and loosely secure the assembly to the chassis using the two (2) rear screws.
 - Route the servo wire down the right mud guard using the supplied hooks to guide the wire to the receiver box. Then secure the mud guard using the four (4) screws from underneath.
 - Replace all the screws that were removed during the disassembly.

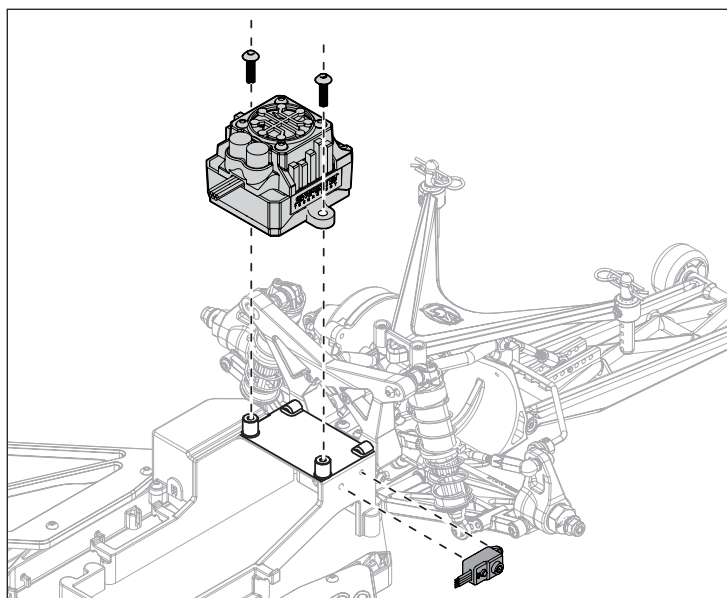


- Secure the steering link to the servo horn ball to complete the servo installation.



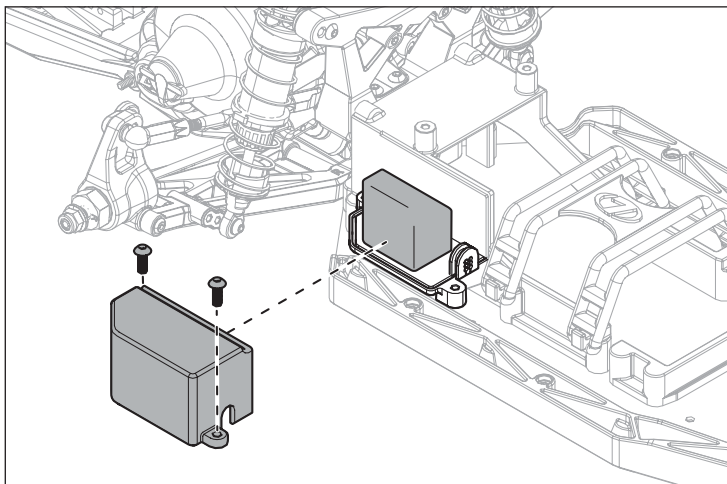
INSTALL THE ESC

- Install the ESC. Connect the motor wires to the ESC. Refer to the ESC manual for more information.
- Run the throttle lead to the receiver box.
- To power auxiliary options such as lights, run the leads into the receiver box.



INSTALL THE RECEIVER

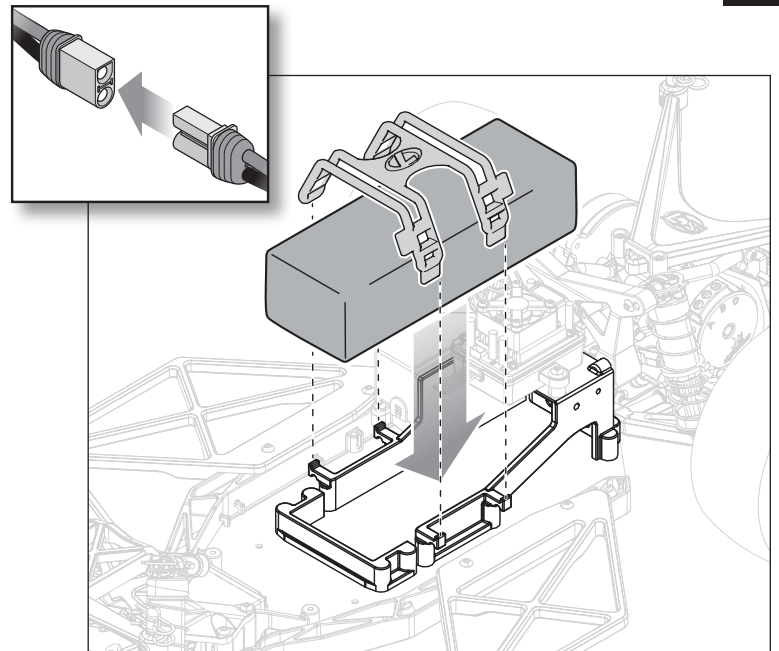
- Remove the two receiver box lid screws, and install the receiver with double-sided or hook and loop tape.



- Insert the servo and ESC connectors into the appropriate ports on the receiver.
- Connect the steering drag link to the servo saver (not yet connected to the servo).
- Verify the steering servo is centered and traveling in the correct direction.
- With the steering linkage centered, connect the servo saver to the servo, and install the included servo screw.
- Check the steering direction and travel, and fine tune the center point using the transmitter settings. See the transmitter manual for additional information.

INSTALL THE BATTERY

1. Ensure the ESC is powered OFF.
2. Remove one side of the elastomer strap from the battery posts.
3. Slide a fully charged battery in through the vehicle front until the battery drops into place.
4. Resecure the elastomer straps to the battery posts.
5. Connect the battery to the ESC noting the correct polarity.
6. Power ON the transmitter, then the vehicle.



WHEELIE BAR ADJUSTMENT

The Losi 22S drag car wheelie bar is designed to provide optimal adjustment. There are two adjustment options, allowing for height fine tuning, as well as easy adjustment.

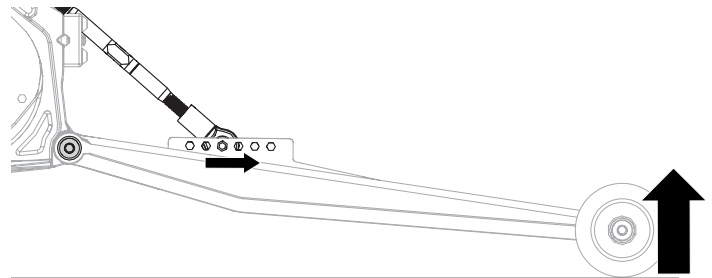
ROUGH TUNING

1. Move the lower turnbuckle attachment point forward or backward to set the wheelie bar to the required height.
2. Move the attachment point back to raise the wheelie bar and to provide more support to the wheelie bar rear.

FINE TUNING

Adjust the turnbuckle to fine tune the wheelie bar height, precisely controlling the height of the wheelie bar wheels from the ground.

TIP: Wheelie bar wheels ½ inch from the ground provides appropriate clearance and adequate rear wheel traction during full acceleration.



CAMBER ADJUSTMENT

Camber is the angle of the wheel top from straight up and down. *Leaning in* is Negative Camber; *leaning out* is Positive Camber.

As the vehicle turns, the chassis rolls. As the vehicle rolls, the tires lean toward the turn, causing less tire surface to come in contact with the ground (at 0° camber). To compensate for this, a few degrees of negative camber are added at the factory.

Front Camber Effects: Adding approximately -1 to -2 negative camber provides optimal contact to the ground, allowing for adequate front end traction. Adding additional camber decreases steering traction. If the steering feels loose, remove a degree of camber.

Rear Camber Effects: Camber affects two things on rear suspension. In a straight line, maximum acceleration is achieved using 0° of camber. Adding camber reduces forward traction, but increases steering stability. If the vehicle is loose, add rear camber to keep the vehicle going straight.

1. To adjust the front and rear camber, select one of several hole positions on both hubs as well as the camber blocks. The rear camber block is integrated into the shock tower.
2. Adjust the turnbuckle for fine tuning.

TOE ADJUSTMENT

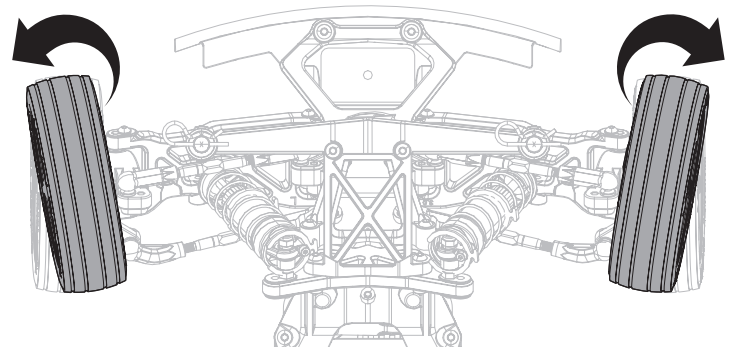
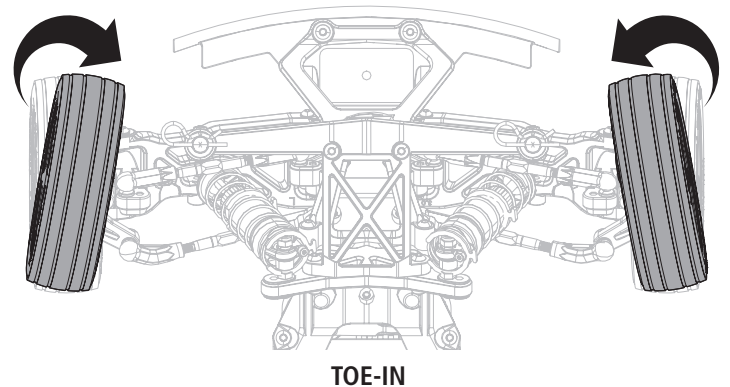
FRONT

Adding Toe-In will increase on-power steering and provide a more directing steering feel. Adding Toe-Out will decrease on-power steering and may provide the feel of more rear traction.

REAR

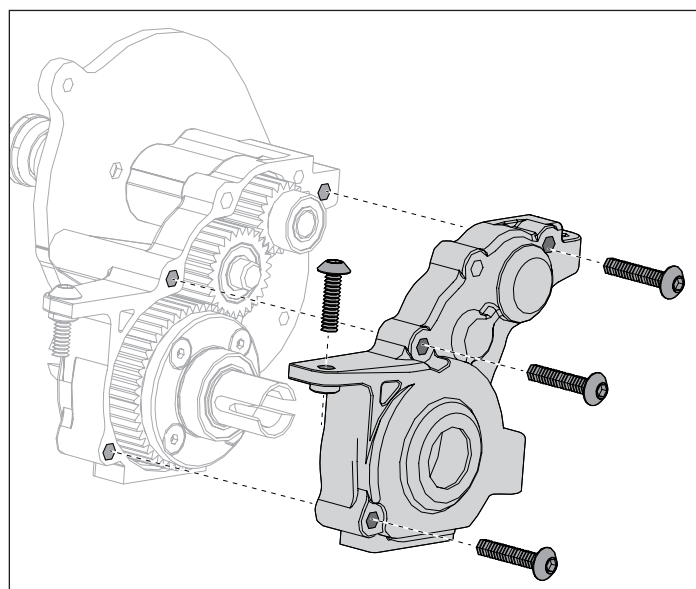
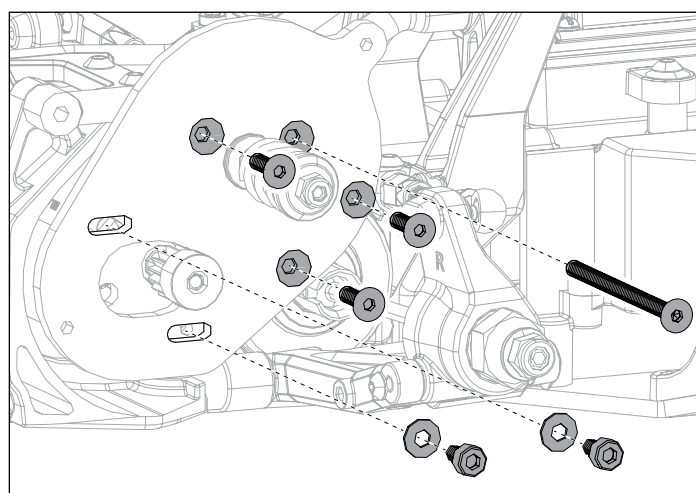
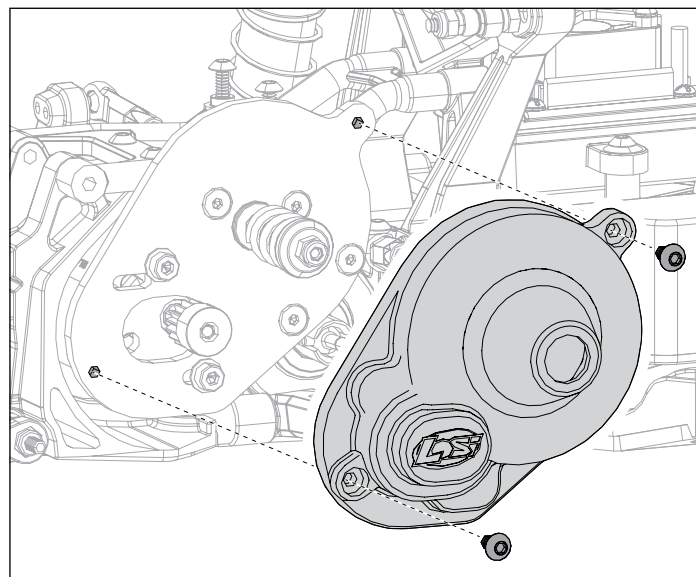
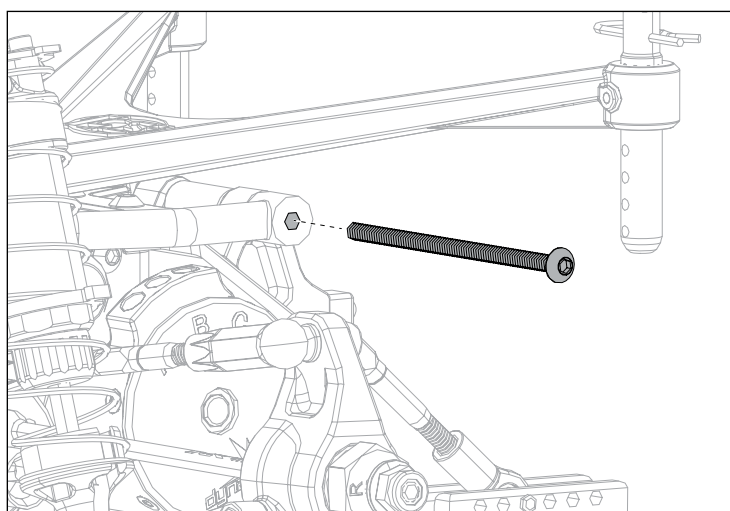
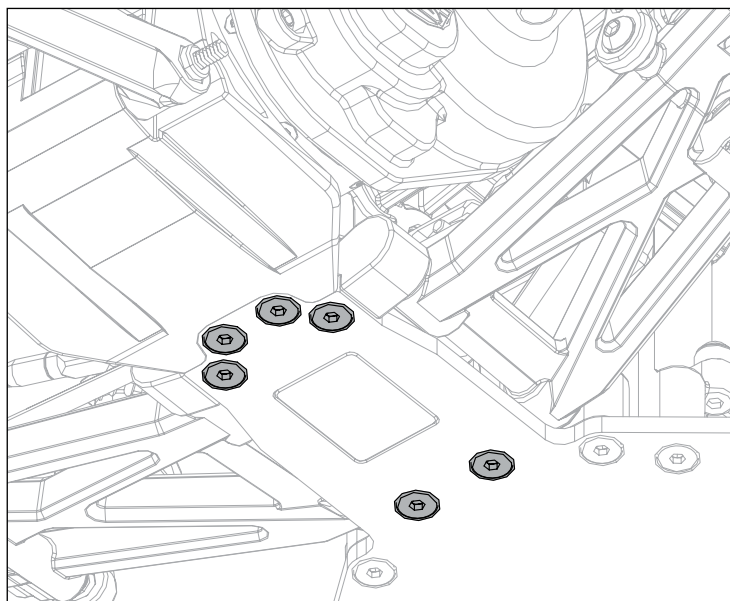
More Toe-In: Increased forward traction. Increase toe-in on lower traction surfaces.
Less Toe-In: Decreased forward traction. Decrease toe-in on higher traction surfaces. To adjust the rear toe:

The stock rear toe on the 22S Roller is 3 Degrees. Adjust the rear toe using the Rear Pivot Block Set (LOS234048) which includes 1.5, 3, and 4.5-degree pivot blocks.



REAR DIFFERENTIAL REMOVAL

1. To remove the rear differential, start by removing the two (2) rear tires using a 7mm nut driver.
2. Remove the two (2) rear camber links.
3. Using a 2.0mm allen driver, remove the six (6) screws holding the transmission and rear motor guard to the aluminum chassis.
4. Using a 2.0mm allen driver, remove the wheelie bar upper attachment.
5. Remove the rear body mount.
6. Remove the four (4) screws securing the transmission to the chassis, then remove the motor guard and wheelie bar.
7. Remove the gear cover, spur gear, and slipper plates on the left side of the chassis.
8. Disconnect the three brushless motor wires from the ESC.
9. Remove the rear pivot block and rear arms.
10. Remove the transmission pass through screw, and slide the transmission out of the chassis (lift up and back).
11. Use a 2.5mm driver to remove the motor from the transmission.
12. Remove the three (3) screws on the left side of the transmission, and remove the side cover.
13. Slide the differential out of the transmission.



DRIVING PRECAUTIONS

- Maintain sight of the vehicle at all times.
- Routinely inspect the vehicle for loose wheel hardware.
- Routinely inspect the steering assembly for any loose hardware. Driving the vehicle off-road can cause fasteners to loosen over time.
- Do not drive the vehicle in tall grass. Doing so can damage the vehicle or electronics.
- Stop driving the vehicle when you notice a lack of power. Driving the vehicle when the battery is discharged can cause the receiver to power off. If the receiver loses power, you will lose control of the vehicle. Damage due to an over-discharged Li-Po battery is not covered under warranty.

CAUTION: Do not discharge a Li-Po battery below 3V per cell. Batteries discharged to a voltage lower than the lowest approved voltage may become damaged, resulting in loss of performance and potential fire when batteries are charged.

- Do not apply forward or reverse throttle if the vehicle is stuck. Applying throttle in this instance can damage the motor or ESC.
- After driving the vehicle, allow the electronics to cool before driving the vehicle again.

IMPORTANT: Keep wires away from all moving parts.

BEFORE RUNNING YOUR VEHICLE

1. Check for free suspension movement. All suspension arms and steering components should move freely. Any binds will cause the vehicle to handle poorly.

Tip: To increase the ride height and ground clearance of your vehicle, install the included shock spacers.

2. Charge a battery pack. Always charge the battery pack as per the battery and/or charger manufacturers' instructions.
3. Set the transmitter steering trim. Follow the instructions to set the steering trim/subtrim so that the vehicle drives straight with no input to the steering.
4. Perform a Control Direction Test.

RUN TIME

The largest factor in run time is the capacity of the battery pack. A larger mAh rating increases the amount of run time experienced.

The condition of a battery pack is also an important factor in both run time and speed. The battery connectors may become hot during driving. Batteries will lose performance and capacity over time.

Driving the vehicle from a stop to full speed repeatedly will damage the batteries and electronics over time. Sudden acceleration will also lead to shorter run times.

TO IMPROVE RUN TIMES

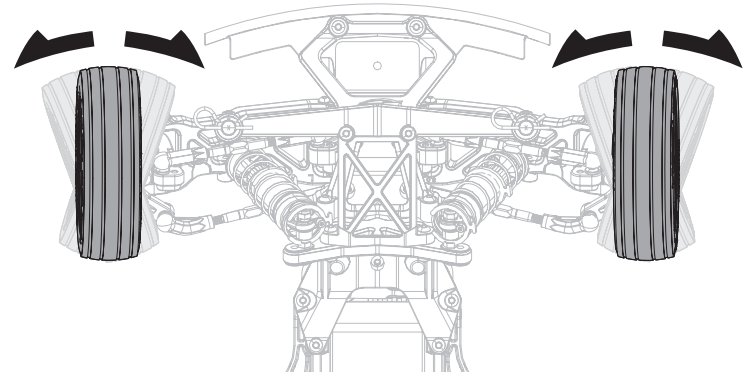
- Keep your vehicle clean and well maintained.
- Allow more airflow to the ESC and motor.
- Change the gearing to a lower ratio. A lower ratio decreases the operating temperature of the electronics. Use a smaller pinion gear or larger spur gear to lower the gear ratio.
- Use a battery pack with a higher mAh rating.
- Use the optimum charger to charge battery packs.

POWERING ON THE VEHICLE

1. Center the ST TRIM and TH TRIM dials on the transmitter.
2. Power on the transmitter.
3. Install a fully charged battery pack per the *Installing the Battery* section.
4. Power on the ESC.

IMPORTANT: The vehicle **MUST** remain on a flat, level surface and motionless for at least 5 seconds.

PERFORMING A CONTROL DIRECTION TEST



Perform a control test with the vehicle wheels off the ground. If the wheels rotate after the vehicle is powered ON, adjust the TH Trim knob until they stop. To make the wheels move forward, pull the trigger. To reverse them, wait for the wheels to stop, then push the trigger. When moving forward, the wheels should maintain a straight line without any steering wheel input. If not, adjust the ST Trim knob, so the wheels maintain a straight line without having to turn the steering wheel.

TROUBLESHOOTING GUIDE

PROBLEM	POSSIBLE CAUSE	SOLUTION
Vehicle does not operate	Battery not charged or plugged in	Charge battery/plug in
	ESC switch not "ON"	Turn on ESC switch
	Transmitter not "ON" or low battery	Turn on/replace batteries
Motor runs but wheels do not rotate	Pinion not meshing with spur gear	Adjust pinion/spur mesh
	Pinion spinning on motor shaft	Tighten pinion gear setscrew on motor shaft flat spot
	Transmission gears stripped	Replace transmission gears
	Drive pin broken	Check and replace drive pin
Steering does not work	Servo plug not in receiver properly	Make sure the steering servo plug is connected to the receiver steering channel, noting proper polarity
	Servo gears or motor damaged	Replace or repair servo
Will not turn one direction	Servo gears damaged	Replace or repair servo
Motor does not run	Motor wire solder joint is damaged	Resolder the motor wire with the proper equipment
	Motor wire broken	Repair or replace as needed
	ESC damaged	Contact Horizon Hobby Product Support
	Battery voltage is low	Check battery voltage and charge if necessary
ESC gets hot	Motor over-g geared	Use smaller pinion or larger spur gear
	Driveline bound up	Check wheels and transmission for binding
Poor run time and/or sluggish acceleration	Battery pack not fully charged	Recharge battery
	Charger not allowing full charge	Try another charger
	Driveline bound up	Check wheels, transmission for binding
Poor range and/or glitching	Transmitter batteries low	Check and replace
	Vehicle battery low	Recharge battery
	Loose plugs or wires	Check all wire connections and plugs

2-YEAR LIMITED WARRANTY

What this Warranty Covers

Horizon Hobby, LLC, (Horizon) warrants to the original purchaser that the product purchased (the "Product") will be free from defects in materials and workmanship 2-years from the date of purchase.

What is Not Covered

This warranty is not transferable and does not cover (i) cosmetic damage, (ii) damage due to acts of God, accident, misuse, abuse, negligence, commercial use, or due to improper use, installation, operation or maintenance, (iii) modification of or to any part of the Product, (iv) attempted service by anyone other than a Horizon Hobby authorized service center, (v) Product not purchased from an authorized Horizon dealer, or (vi) Product not compliant with applicable technical regulations or (vii) use that violates any applicable laws, rules, or regulations. OTHER THAN THE EXPRESS WARRANTY ABOVE, HORIZON MAKES NO OTHER WARRANTY OR REPRESENTATION, AND HEREBY DISCLAIMS ANY AND ALL IMPLIED WARRANTIES, INCLUDING, WITHOUT LIMITATION, THE IMPLIED WARRANTIES OF NON-INFRINGEMENT, MERCHANTABILITY AND FITNESS FOR A PARTICULAR PURPOSE. THE PURCHASER ACKNOWLEDGES THAT THEY ALONE HAVE DETERMINED THAT THE PRODUCT WILL SUITABLY MEET THE REQUIREMENTS OF THE PURCHASER'S INTENDED USE.

Purchaser's Remedy

Horizon's sole obligation and purchaser's sole and exclusive remedy shall be that Horizon will, at its option, either (i) service, or (ii) replace, any Product determined by Horizon to be defective. Horizon reserves the right to inspect any and all Product(s) involved in a warranty claim. Service or replacement decisions are at the sole discretion of Horizon. Proof of purchase is required for all warranty claims. SERVICE OR REPLACEMENT AS PROVIDED UNDER THIS WARRANTY IS THE PURCHASER'S SOLE AND EXCLUSIVE REMEDY.

Limitation of Liability

HORIZON SHALL NOT BE LIABLE FOR SPECIAL, INDIRECT, INCIDENTAL OR CONSEQUENTIAL DAMAGES, LOSS OF PROFITS OR PRODUCTION OR COMMERCIAL LOSS IN ANY WAY, REGARDLESS OF WHETHER SUCH CLAIM IS BASED IN CONTRACT, WARRANTY, TORT, NEGLIGENCE, STRICT LIABILITY OR ANY OTHER THEORY OF LIABILITY, EVEN IF HORIZON HAS BEEN ADVISED OF THE POSSIBILITY OF SUCH DAMAGES. Further, in no event shall the liability of Horizon exceed the individual price of the Product on which liability is asserted. As Horizon has no control over use, setup, final assembly, modification or misuse, no liability shall be assumed nor accepted for any resulting damage or injury. By the act of use, setup or assembly, the user accepts all resulting liability. If you as the purchaser or user are not prepared to accept the liability associated with the use of the Product, purchaser is advised to return the Product immediately in new and unused condition to the place of purchase.

Law

These terms are governed by Illinois law (without regard to conflict of law principals). This warranty gives you specific legal rights, and you may also have other rights which vary from state to state. Horizon reserves the right to change or modify this warranty at any time without notice.

WARRANTY SERVICES

Questions, Assistance, and Services

Your local hobby store and/or place of purchase cannot provide warranty support or service. Once assembly, setup or use of the Product has been started, you must contact your local distributor or Horizon directly. This will enable Horizon to better answer your questions and service you in the event that you may need any assistance. For questions or assistance, please visit our website at www.horizonhobby.com, submit a Product Support Inquiry, or call the toll free telephone number referenced in the Warranty and Service Contact Information section to speak with a Product Support representative.

Inspection or Services

If this Product needs to be inspected or serviced and is compliant in the country you live and use the Product in, please use the Horizon Online Service Request submission process found on our website or call Horizon to obtain a Return Merchandise Authorization (RMA) number. Pack the Product securely using a shipping carton. Please note that original boxes may be included, but are not designed to withstand the rigors of shipping without additional protection. Ship via a carrier that provides tracking and insurance for lost or damaged parcels, as Horizon is not responsible for merchandise until it arrives and is accepted at our facility. An Online Service Request is available at http://www.horizonhobby.com/content/service-center_render-service-center. If you do not have internet access, please contact Horizon Product Support to obtain a RMA number along with instructions for submitting your product for service. When calling Horizon, you will be asked to provide your complete name, street address, email address and phone number where you can be reached during business hours. When sending product into Horizon, please include your RMA number, a list of the included items, and a brief summary of the problem. A copy of your original sales receipt must be included for warranty consideration. Be sure your name, address, and RMA number are clearly written on the outside of the shipping carton.

NOTICE: Do not ship Li-Po batteries to Horizon. If you have any issue with a Li-Po battery, please contact the appropriate Horizon Product Support office.

Warranty Requirements

For Warranty consideration, you must include your original sales receipt verifying the proof-of-purchase date. Provided warranty conditions have been met, your Product will be serviced or replaced free of charge. Service or replacement decisions are at the sole discretion of Horizon.

Non-Warranty Service

Should your service not be covered by warranty, service will be completed and payment will be required without notification or estimate of the expense unless the expense exceeds 50% of the retail purchase cost. By submitting the item for service you are agreeing to payment of the service without notification. Service estimates are available upon request. You must include this request with your item submitted for service. Non-warranty service estimates will be billed a minimum of ½ hour of labor. In addition you will be billed for return freight. Horizon accepts money orders and cashier's checks, as well as Visa, MasterCard, American Express, and Discover cards. By submitting any item to Horizon for service, you are agreeing to Horizon's Terms and Conditions found on our website http://www.horizonhobby.com/content/service-center_render-service-center.

ATTENTION: Horizon service is limited to Product compliant in the country of use and ownership. If received, a non-compliant Product will not be serviced. Further, the sender will be responsible for arranging return shipment of the un-serviced Product, through a carrier of the sender's choice and at the sender's expense. Horizon will hold non-compliant Product for a period of 60 days from notification, after which it will be discarded.

10/15

WARRANTY AND SERVICE CONTACT INFORMATION

Country of Purchase	Horizon Hobby	Contact Information	Address
United States of America	Horizon Service Center (Repairs and Repair Requests)	servicecenter.horizonhobby.com/RequestForm/	2904 Research Rd Champaign, Illinois 61822 USA*
	Horizon Product Support (Product Technical Assistance)	productsupport@horizonhobby.com 877-504-0233	
	Sales	websales@horizonhobby.com 800-338-4639	
European Union	Horizon Technischer Service	service@horizonhobby.eu +49 (0) 4121 2655 100	Hanskampring 9 D 22885 Barsbüttel, Germany
	Sales: Horizon Hobby GmbH		

*For the most up-to-date customer service contact information, please visit: www.horizonhobby.com/content/service-center-render-service-center

COMPLIANCE INFORMATION FOR THE EUROPEAN UNION

EU Manufacturer of Record:

Horizon Hobby, LLC
2904 Research Road
Champaign, IL 61822 USA

EU Importer of Record:

Horizon Hobby, GmbH
Hanskampring 9
22885 Barsbüttel Germany

WEEE NOTICE:



This appliance is labeled in accordance with European Directive 2012/19/EU concerning waste of electrical and electronic equipment (WEEE). This label indicates that this product should not be disposed of with household waste. It should be deposited at an appropriate facility to enable recovery and recycling.

HINWIES

Alle Anweisungen, Garantien und dazugehörigen Dokumente können ohne Ankündigung von Horizon Hobby, LLC geändert werden. Eine aktuelle Version ersehen Sie bitte im Support Feld unter www.horizonhobby.com oder www.towerhobbies.com im Support-Abschnitt für das Produkt.

ERKLÄRUNG DER BEGRIFFE

Die folgenden Begriffe werden in der gesamten Produktliteratur verwendet, um auf unterschiedlich hohe Gefahrenrisiken beim Betrieb dieses Produkts hinzuweisen:

WARNUNG: Wenn diese Verfahren nicht korrekt befolgt werden, ergeben sich wahrscheinlich Sachschäden, Kollateralschäden und schwere Verletzungen ODER mit hoher Wahrscheinlichkeit oberflächliche Verletzungen.

ACHTUNG: Wenn diese Verfahren nicht korrekt befolgt werden, ergeben sich wahrscheinlich Sachschäden UND die Gefahr von schweren Verletzungen.

HINWEIS: Wenn diese Verfahren nicht korrekt befolgt werden, können sich möglicherweise Sachschäden UND geringe oder keine Gefahr von Verletzungen ergeben.

! WARNUNG: Lesen Sie die GESAMTE Bedienungsanleitung, um sich vor dem Betrieb mit den Produktfunktionen vertraut zu machen. Wird das Produkt nicht korrekt betrieben, kann dies zu Schäden am Produkt oder persönlichem Eigentum führen oder schwere Verletzungen verursachen. Dies ist ein hochentwickeltes Hobby-Produkt. Es muss mit Vorsicht und gesundem Menschenverstand betrieben werden und benötigt gewisse mechanische Grundfähigkeiten. Wird dieses Produkt nicht auf eine sichere und verantwortungsvolle Weise betrieben, kann dies zu Verletzungen oder Schäden am Produkt oder anderen Sachwerten führen. Versuchen Sie nicht ohne Genehmigung durch Horizon Hobby, LLC, das Produkt zu zerlegen, es mit inkompatiblen Komponenten zu verwenden oder auf jegliche Weise zu erweitern. Diese Bedienungsanleitung enthält Anweisungen für Sicherheit, Betrieb und Wartung. Es ist unbedingt notwendig, vor Zusammenbau, Einrichtung oder Verwendung alle Anweisungen und Warnhinweise im Handbuch zu lesen und zu befolgen, damit es bestimmungsgemäß betrieben werden kann und Schäden oder schwere Verletzungen vermieden werden.

! WARNUNG ZU GEFÄLSCHTEN PRODUKTEN Bitte kaufen Sie Ihre Spektrum Produkte immer von einem autorisiertem Händler um sicherzu stellen, dass Sie ein authentisches hochqualitatives original Spektrum Produkt gekauft haben. Horizon Hobby lehnt jede Unterstützung, Service oder Garantieleistung von gefälschten Produkten oder Produkten ab die von sich in Anspruch nehmen kompatibel mit Spektrum oder DSM zu sein.

Nicht geeignet für Kinder unter 14 Jahren. Dies ist kein Spielzeug.

SICHERHEITSHINWEISE UND WARNUNGEN

Als Nutzer dieses Produktes, sind Sie allein verantwortlich, es in einer Art und Weise zu benutzen, die eine eigene Gefährdung und die anderer oder Beschädigung an anderem Eigentum ausschließt.

Das Modell ist ferngesteuert und anfällig für bestimmte äußere Einflüsse. Diese Einflüsse können zum vorübergehenden Verlust der Steuerfähigkeit führen, so dass es immer sinnvoll ist genügend Sicherheitsabstand in alle Richtungen um das Modell zu haben.

- Fahren Sie das Modell nie mit fast leeren oder schwachen Senderbatterien.
- Betreiben Sie Ihr Modell stets auf offenen Geländen, weit ab von Automobilen, Verkehr und Menschen.
- Fahren Sie Ihr Modell nicht auf der Straße oder belebten Plätzen.
- Beachten Sie vorsichtig alle Hinweise und Warnungen für das Modell und allen dazu gehörigen Equipment.

- Halten Sie alle Chemikalien, Kleinteile und elektrische Bauteile aus der Reichweite von Kindern.
- Lecken Sie niemals an Teilen von Ihrem Modell oder nehmen diese in den Mund, da diese Sie ernsthaft verletzen oder töten können.
- Seien Sie immer aufmerksam wenn Sie Werkzeug oder scharfe Instrumente verwenden.
- Seien Sie bei dem Bau vorsichtig, da einige Teile scharfe Kanten haben könnten.
- Fassen Sie bitte unmittelbar nach dem Betrieb nicht den Motor, Regler oder Akku an, da diese Teile sich sehr erwärmen können und Sie sich bei dem berühren ernsthaft verbrennen können.
- Fassen Sie nicht in drehende oder sich bewegende Teile, da sich ernsthaft dabei verletzen können.
- Schalten Sie immer zuerst den Sender ein, bevor Sie den Empfänger im Fahrzeug einschalten.
- Stellen Sie das Fahrzeug mit den Rädern nicht auf den Boden, wenn Sie die Funktionen überprüfen.

INHALTSVERZEICHNIS

LIEFERUMFANG	9	SICHERHEITSHINWEISE BEIM FAHREN	14
QUICK START	10	EINSCHALTEN DES FAHRZEUGES	14
MOTOR EINBAUEN	10	BEVOR SIE IHR FAHRZEUG FAHREN	14
EINSTELLEN DES ZAHNFLANKENSPIELS.....	10	LAUFZEIT	14
DAS SERVO MONTIEREN	10	SO VERLÄNGERN SIE DIE LAUFZEIT.....	14
DEN GESCHWINDIGKEITSREGLER EINSETZEN	11	DURCHFÜHREN EINES STEUERTEST	14
EMPFÄNGER INSTALLIEREN	11	PROBLEMLÖSUNG	14
EINSETZEN DES AKKUS	12	GARANTIE UND SERVICE INFORMATIONEN	15
EINSTELLUNG DER WHEELIE BAR	12	GARANTIE UND SERVICE KONTAKTINFORMATIONEN	15
GROBTUNING.....	12	RECHTLICHE INFORMATIONEN FÜR DIE EUROPÄISCHE UNION	15
FEINTUNING.....	12	EXPLOSIONSZEICHNUNG	29-33
SPUREINSTELLUNG	12	TEILELISTE	34-35
SPURVERSTELLUNG.....	12	EMPFOHLENE TEILE	35
HINTERES DIFFERENZIAL ENTFERNEN	13	OPTIONALE TEILE	36-37

LIEFERUMFANG

IM LIEFERUMFANG ENTHALTEN	ERFORDERLICHE KOMPONENTEN	EMPFOHLENE KOMPONENTEN	TEILENUMMER	ERFORDERLICHES WERKZEUG
Losi® Brushless 22S No Prep Drag Roller	2-Kanal-Funksteuerungssystem	Spektrum DX5C DSMR 5-Kanal, nur TX, SR315-Empfänger	SPM5115 SPMSR315	1,5 mm Sechskantschlüssel
	Drehmomentstarker Lenkservo	Spektrum 6KG Waterproof Servo	SPMS606	2,0 mm Sechskantschlüssel
	Geschwindigkeitsregler	Spektrum Firma 100 A Smart Geschwindigkeitsregler	SPMXSE1100	2,5 mm Sechskantschlüssel
	Motor	Spektrum Firma 3150 Kv Brushless motor	SPMXSM2800	5,5 mm Steckschlüssel
	Zahnrad	16T	Siehe Teileliste	7,0 mm Steckschlüssel
	2S LiPo-Hartschalen-Akku	50C or Higher Spektrum 2S Smart Hardcase LiPo with IC5	SPMX50002S100H5	
	Ladegerät	Spektrum SMART S1200 DC Charger, 1x200W	SPMXC1000	

QUICK START

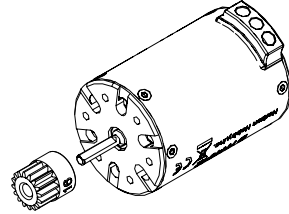
Bitte lesen die gesamte Bedienungsanleitung um den 22S Roller vollständig zu verstehen, einzustellen und Wartungen durchzuführen.

1. Die Sicherheitsvorkehrungen in diesem Handbuch lesen.
2. Motor, Empfänger, Geschwindigkeitsregler und Lenkservo einbauen.*
3. Die Lenkungsverbindungen mit dem Servo Saver verbinden.
4. Kabel für Servo und Geschwindigkeitsregler verlegen und mit dem Empfänger verbinden.
5. Akku* für das Fahrzeug aufladen. Wichtige Warnhinweise und Anweisungen zum Laden des Akkus finden Sie in der Bedienungsanleitung zu Ihrem Ladegerät*.
6. Die vollständig geladenen Akkus in das Fahrzeug einsetzen.
7. Den Empfänger mit Ihrem Sender binden. Überprüfen, ob die Steuerungen zentriert sind.
8. Den Servo Saver mit zentrierter Lenkung an das Servo montieren.
9. Die Richtung und der Fahrweg Ihres Servos in Ihrem Sender nach Bedarf einstellen.
10. Den Geschwindigkeitsregler kalibrieren.
11. Die Abdeckung über dem Empfänger anbringen.
12. Prüfen, ob sich die Lenk- und Gassteuerelemente in die richtige Richtung bewegen. Die Laufrichtung des Servo in Ihrem Sender umkehren, wenn die Lenkung umgedreht wird. Den Motor mit den Kabelverbindungen oder Geschwindigkeitsregler-Einstellungen umkehren, wenn die Gaszufuhr falsch herum läuft.
13. Die Räder montieren.
14. Das Fahrzeug fahren.
15. Den Akku nach der Fahrt trennen.

*Elektronik nicht enthalten

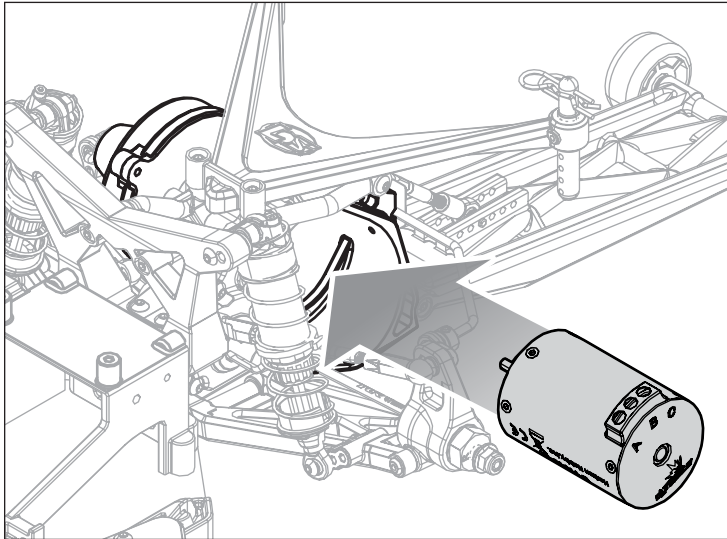
MOTOR EINBAUEN

1. Zahnradgetriebe an Ihrem Motor montieren. Platzieren Sie das Zahnrad auf das Ende der Motorwelle, sodass die Stellschraube sich über der Abflachung auf der Welle befindet.
2. Positionieren Sie es so, dass die Zahnreihe hoch zum Stirnrad steht und befestigen Sie das Zahnrad durch Anziehen der Stellschraube.
3. Den Motor einbauen. Zwei Schlitzlöcher werden an den Motorhalterungsöffnungen ausgerichtet. Der Motor kann nach vorn oder hinten rutschen, um einen korrekten Zahneingriff zu erzielen.



Ritzel separat erhältlich

⚠ ACHTUNG: Es ist wichtig, den Zahneingriff korrekt einzurichten. Andernfalls kommt es zu einer Getriebebeschädigung.

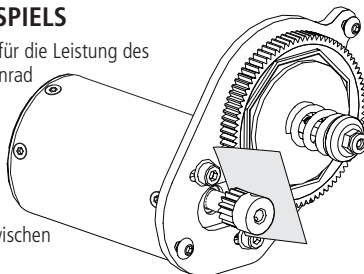


4. Die Getriebeabdeckung montieren.

EINSTELLEN DES ZAHNFLANKENSPIELS

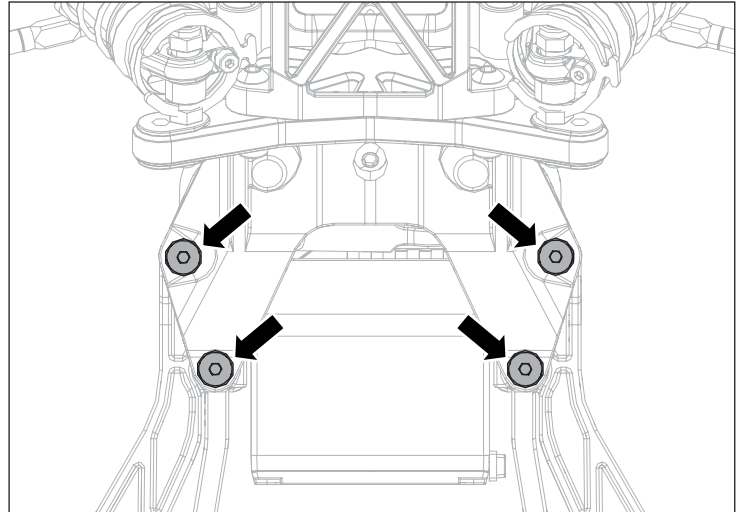
Das korrekte Zahnflankenspiel ist sehr wichtig für die Leistung des Fahrzeuges. Ist das Spiel zu groß kann das Zahnrad vom Ritzel beschädigt werden. Ist das Spiel zu stramm könnte die Geschwindigkeit reduziert werden und der Regler überhitzen.

1. Lösen Sie die Motorschrauben und schieben den Motor zurück.
2. Legen Sie einen schmalen Streifen Papier zwischen Ritzel und Zahnrad.
3. Drücken Sie beide Zahnräder zusammen während Sie die Motorschrauben festdrehen.
4. Entfernen Sie das Papier. Überprüfen Sie das Zahnflankenspiel an 3 - 5 verschiedenen Punkten auf etwas Bewegungsspiel.

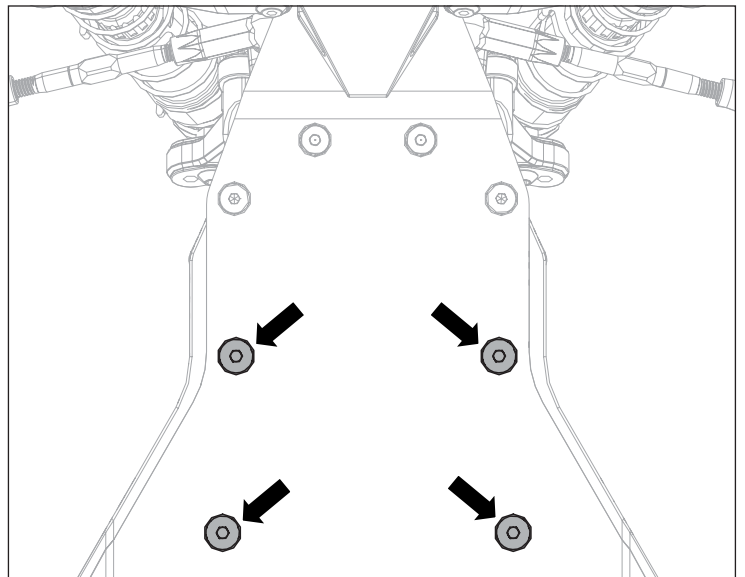


DAS SERVO MONTIEREN

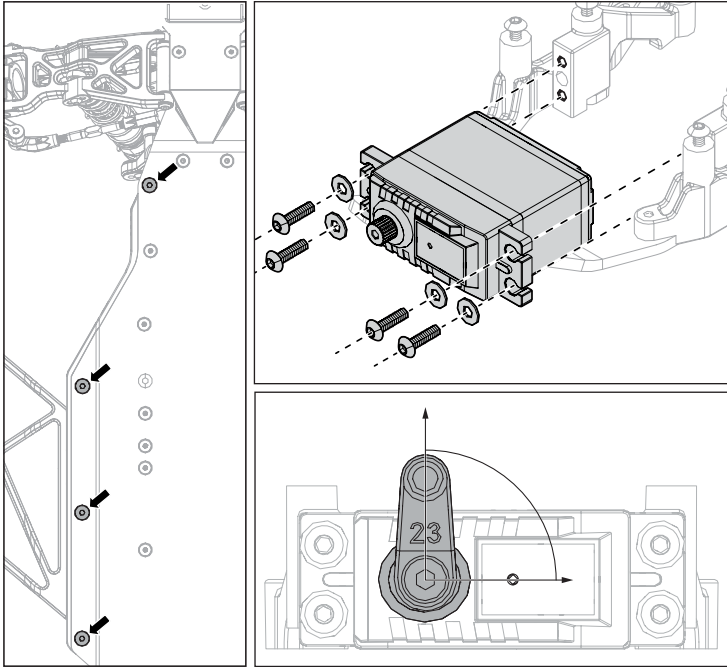
1. Verwenden Sie einen 2-mm-Sechskantschlüssel, die vier (4) Schrauben oben an der Frontstrebe entfernen.



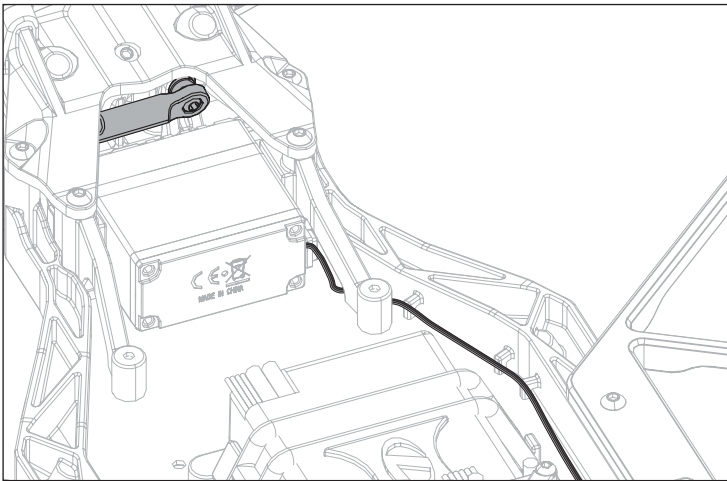
2. Die vier (4) Schrauben entfernen, die die Servohalterung an der Karosserie sichern.



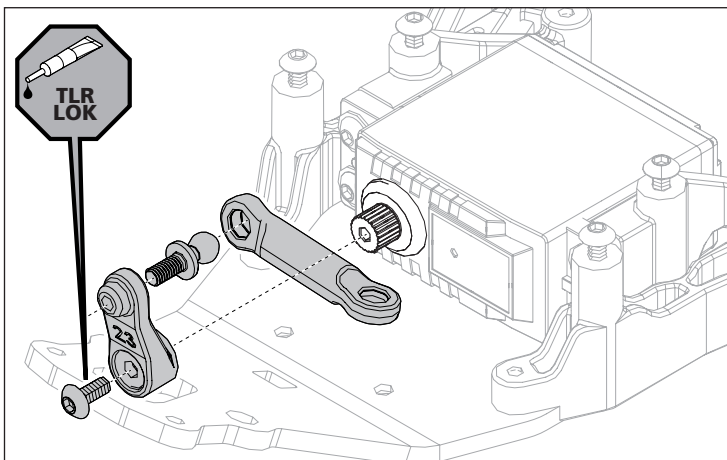
- Die vier (4) Schrauben entfernen, die den Schmutzfänger auf der rechten Seite halten.
- Die Servohalterungen von der Karosserie entfernen und das Servo so montieren, dass die Antriebswelle zur rechten Seite der Karosserie zeigt.



- Das Servohorn von der Lenkstange entfernen.
- Das Lenkservo durch Anschluss des Servos an den Empfänger oder mithilfe eines Servo-Prüfers zentrieren. Das Servohorn so montieren, dass die Kugel einen 90°-Winkel aufweist.
HINWEIS: Vor der Montage des Servohorns sicherstellen, dass die Trimmung des Getriebeservos zentriert ist.
- Das Servo auf der Karosserie in Position schieben und die Baugruppe mithilfe der zwei (2) hinteren Schrauben lose auf der Karosserie sichern.
- Das Servokabel zum rechten Schmutzfänger verlegen und mithilfe der im Lieferumfang enthaltenen Haken das Kabel zur Empfängerbox führen. Anschließend den Schmutzfänger mithilfe der vier (4) Schrauben von unten sichern.
- Alle Schrauben wieder einsetzen, die während der Demontage entfernt wurden.

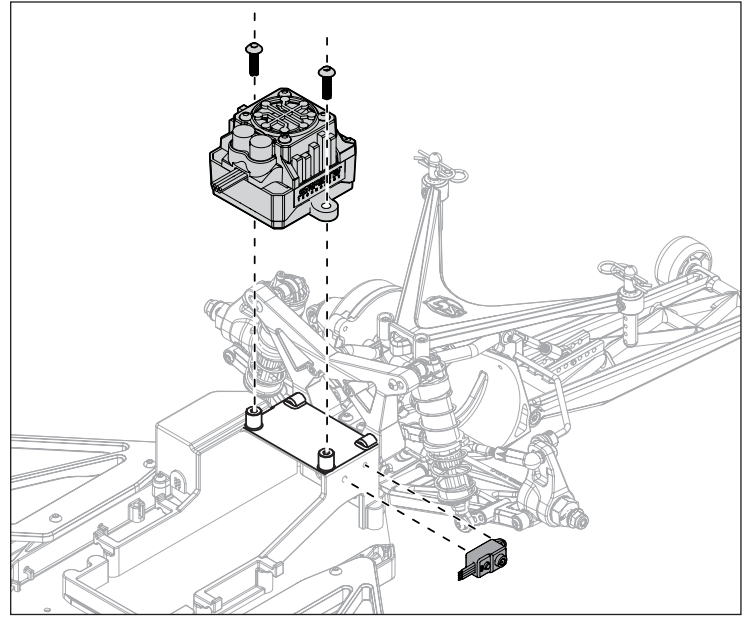


- Die Lenkstange am Servohorn sichern, um die Montage des Servos abzuschließen.



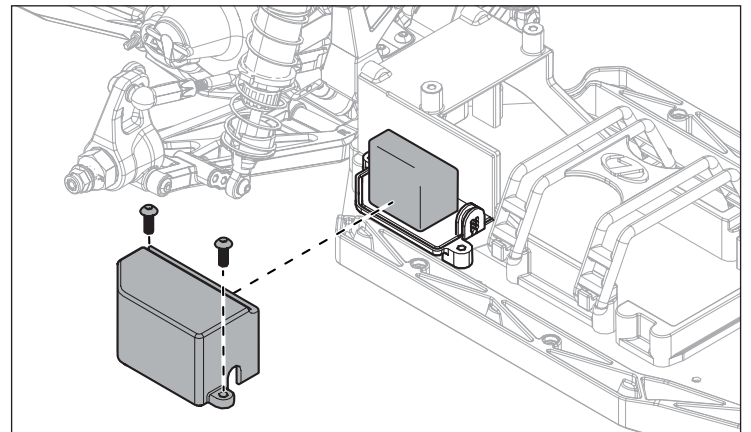
DEN GESCHWINDIGKEITSREGLER EINSETZEN

- Den Geschwindigkeitsregler einsetzen. Die Motorkabel an den Geschwindigkeitsregler anschließen. Siehe Handbuch des Geschwindigkeitsreglers zu weiteren Informationen.
- Die Gasleitung in die Empfängerbox einführen.
- Wenn Sie zusätzliche Komponenten, wie z. B. Lampen, mit Strom versorgen möchten, führen Sie die Kabel in die Empfängerbox ein.



EMPFÄNGER INSTALLIEREN

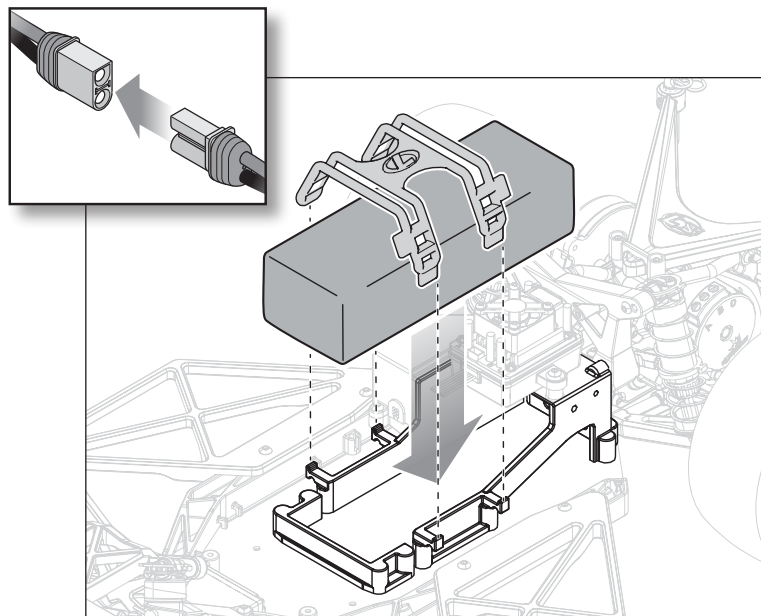
- Die beiden Schrauben am Deckel der Empfängerbox entfernen und den Empfänger mit doppelseitigem Klebeband oder Klettband befestigen.



- Den Servo- und den Geschwindigkeitsregleranschluss in die entsprechenden Anschlüsse am Empfänger einstecken.
- Die Lenkungsverbindungen mit dem Servo Saver verbinden (noch nicht am Servo angeschlossen).
- Überprüfen, ob das Lenkservo zentriert ist und sich in die richtige Richtung bewegt.
- Wenn die Lenkstange zentriert ist, den Servo Saver mit dem Servo verbinden und die Schraube, die mit Ihrem Servo mitgeliefert wurde, befestigen.
- Lenk- und Fahrtrichtung überprüfen und den Mittelpunkt mit den Einstellungen Ihres Senders feinabstimmen. Weitere Informationen finden Sie in dem Handbuch Ihres Senders.

EINSETZEN DES AKKUS

1. Sicherstellen, dass der Geschwindigkeitsregler ausgeschaltet ist.
2. Eine Seite des Elastomerbands von den Akkus entfernen.
3. Einen voll aufgeladenen Akku durch die Fahrzeugfront einschieben, bis der Akku korrekt positioniert ist.
4. Die Elastomerbänder wieder an den Akkus anbringen.
5. Den Akku mit dem Geschwindigkeitsregler verbunden und dabei auf die richtige Polarität achten.
6. Den Sender und dann das Fahrzeug einschalten.

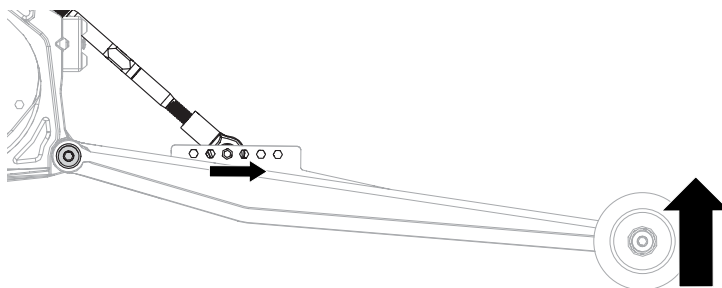


EINSTELLUNG DER WHEELIE BAR

Die Losi 22S Drag Car Wheelie Bar ist so konstruiert, dass eine optimale Einstellung möglich ist. Es gibt zwei Einstellmöglichkeiten, die sowohl ein Feintuning der Höhe als auch eine einfache Justierung ermöglichen.

GROBTUNING

1. Bewegen Sie den unteren Befestigungspunkt der Spannschraube nach vorne oder hinten, um die Wheelie Bar auf die gewünschte Höhe einzustellen.
2. Verschieben Sie den Befestigungspunkt nach hinten, um die Wheelie Bar anzuheben und dem Wheelie-Bar-Heck mehr Halt zu geben.



FEINTUNING

Stellen Sie die Spannschraube zum Feintuning der Wheelie Bar-Höhe ein und steuern Sie damit präzise die Höhe der Wheelie-Bar-Räder vom Boden.

TIPP: Wheelie-Bar-Räder 1/2 Zoll über dem Boden sorgen für angemessenen Abstand und ausreichende Traktion der Hinterräder bei voller Beschleunigung.

SPUREINSTELLUNG

Sturz ist der Winkel der Radoberseite, gerade von oben und unten. Nach innen geneigt ist negativer Sturz, nach außen geneigt ist positiver Sturz.

Wenn sich das Fahrzeug dreht, bewegt sich die Karosserie. Wenn das Fahrzeug rollt, neigen sich die Reifen in Richtung der Kurve, wodurch weniger Reifenfläche mit dem Boden in Berührung kommt (bei 0° Sturz). Um dies zu kompensieren, wird der Sturz werksseitig auf einige negative Grad voreingestellt.

Frontsturzeffekte: Das Hinzufügen eines negativen Sturzes von ca. -1 bis -2 sorgt für einen optimalen Bodenkontakt und ermöglicht eine ausreichende Traktion an der Vorderachse. Das Hinzufügen eines zusätzlichen Sturzes verringert die Traktion der Lenkung. Wenn sich die Lenkung locker anfühlt, entfernen Sie ein Grad Sturz.

Hecksturzeffekte: Der Sturz beeinflusst zwei Dinge an der Hinterradaufhängung. Auf einer geraden Linie wird die maximale Beschleunigung mit 0 Grad Sturz erreicht. Erhöhen des Sturzes verringert die Traktion nach vorne, erhöht aber die Lenkstabilität. Wenn das Fahrzeug zu viel Spiel hat, erhöhen Sie den Hecksturz, damit das Fahrzeug geradeaus fährt.

1. Um vorderen und hinteren Sturz einzustellen, wählen Sie eine von mehreren Lochpositionen an beiden Naben sowie den Sturzblöcken. Der hintere Sturzblock ist in den Stoßdämpfer integriert.
2. Stellen Sie die Spannschraube für das Feintuning ein.

SPURVERSTELLUNG

VORDERSEITE

Erhöhen der Vorspur nach innen verbessert das Lenkverhalten mit Gas und sorgt für ein direkteres Lenkverhalten.

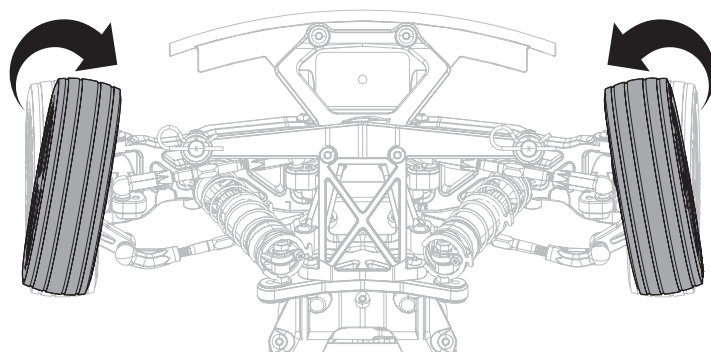
Erhöhen der Vorspur nach außen verschlechtert das Lenkverhalten mit Gas und kann das Gefühl von mehr Traktion hinten vermitteln.

HECK

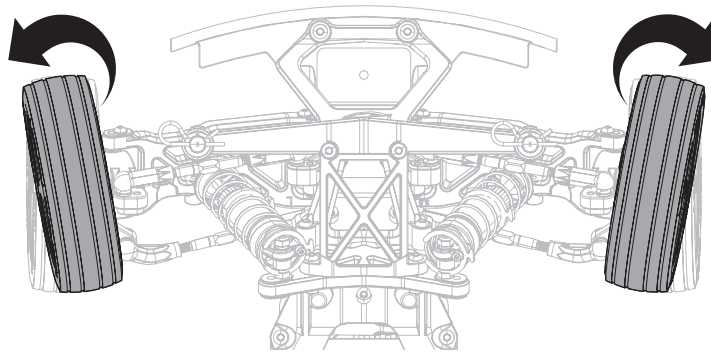
Mehr Vorspur nach innen: Erhöhte Frontraktion. Erhöhen Sie die Vorspur nach innen auf Oberflächen mit geringerer Traktion.

Weniger Vorspur nach innen: Verminderte Frontraktion. Verringern Sie die Vorspur auf Oberflächen mit höherer Traktion. Zum Einstellen der hinteren Vorspur:

Die serienmäßige hintere Vorspur des 22S Roller beträgt 3 Grad. Stellen Sie die hintere Vorspur mit dem hinteren Gelenkblocksatz (LOS234048) ein, der Gelenkblöcke mit einem Winkel von 1, 5, 3 und 4,5 Grad enthält.



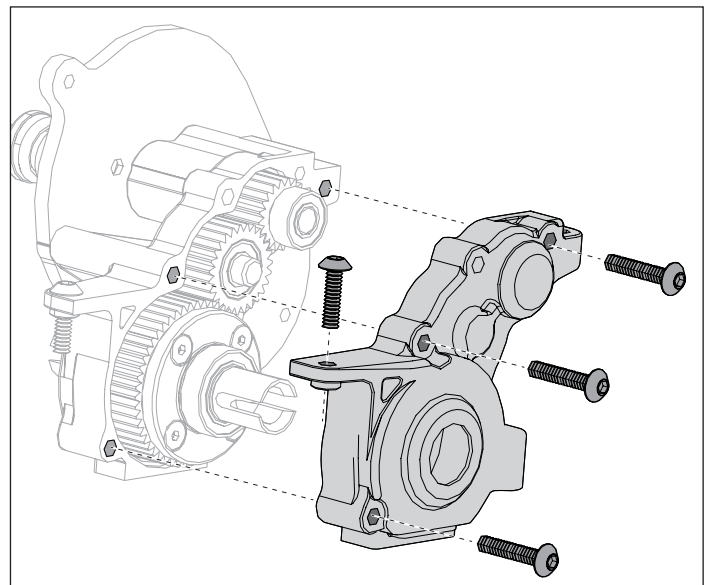
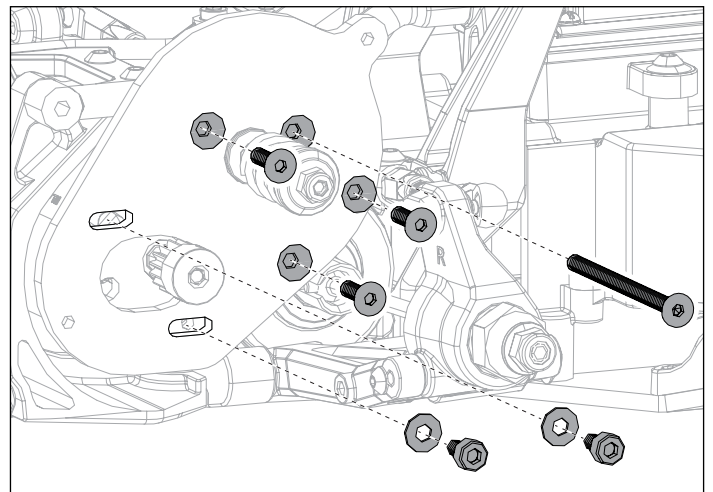
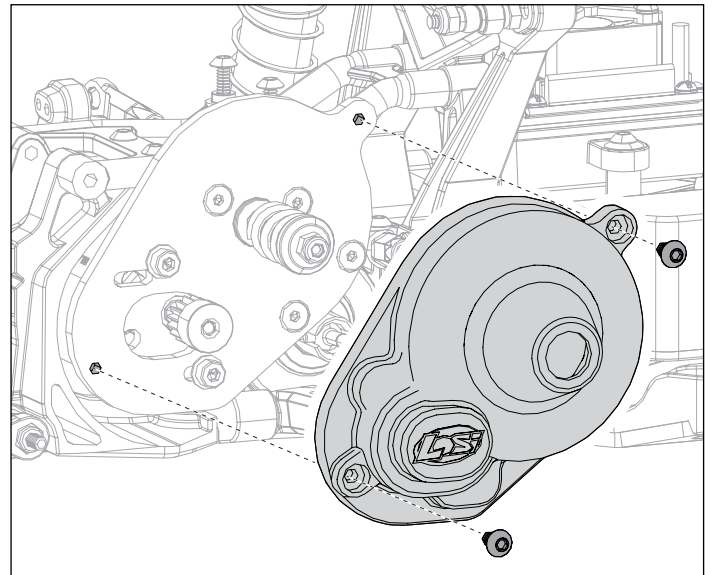
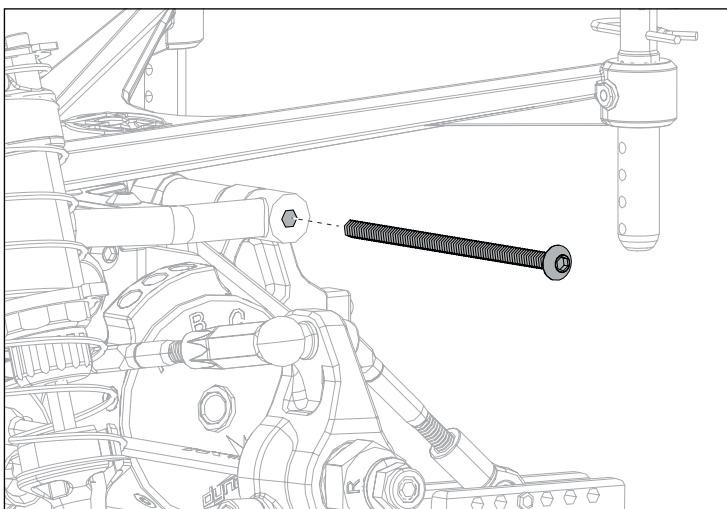
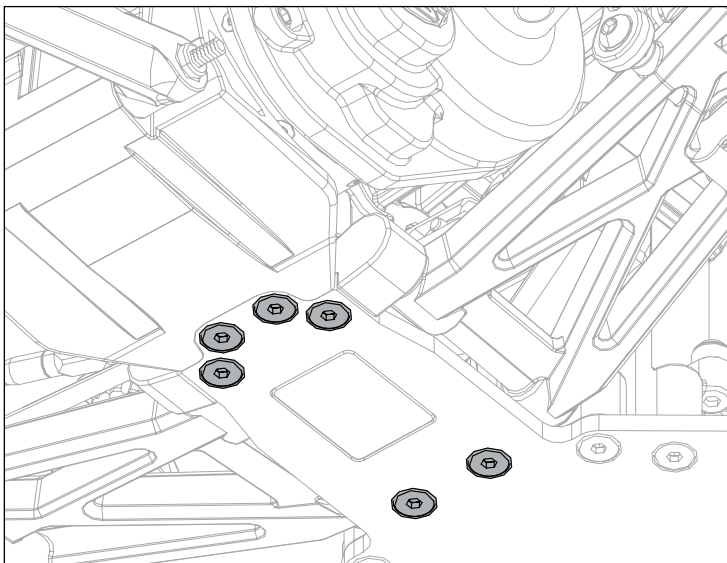
VORSPUR NACH INNEN



VORSPUR NACH AUSSEN

HINTERES DIFFERENZIAL ENTFERNEN

1. Um das hintere Differenzial auszubauen, entfernen Sie zunächst die beiden (2) Hinterreifen mit einem 7-mm-Steckschlüssel.
2. Entfernen Sie die beiden (2) hinteren Spurstangen.
3. Entfernen Sie die sechs (6) Schrauben, mit denen das Getriebe und der hintere Motorschutz am Aluminiumchassis befestigt sind, mit einem 2,0-mm-Inbusschlüssel.
4. Entfernen Sie mit einem 2,0-mm-Inbusschlüssel die obere Wheelie-Bar-Halterung.
5. Entfernen Sie die hintere Karosseriehalterung.
6. Entfernen Sie die vier (4) Schrauben, mit denen das Getriebe am Chassis befestigt ist, und entfernen Sie dann den Motorschutz und die Wheelie Bar.
7. Entfernen Sie die Getriebeabdeckung, das Stirnrad und die Gleitplatten an der linken Seite des Chassis.
8. Trennen Sie die drei Drähte des bürstenlosen Motors vom Geschwindigkeitsregler.
9. Entfernen Sie das hintere Zapfenlager und die hinteren Arme.
10. Entfernen Sie die durch das Getriebe laufende Schraube und schieben Sie das Getriebe aus dem Chassis (nach oben und hinten anheben).
11. Verwenden Sie einen 2,5-mm-Schraubendreher, um den Motor aus dem Getriebe zu entfernen.
12. Entfernen Sie die drei (3) Schrauben auf der linken Seite des Getriebes und nehmen Sie die Seitenabdeckung ab.
13. Schieben Sie das Differenzial aus dem Getriebe.



SICHERHEITSHINWEISE BEIM FAHREN

- Halten Sie stets Blickkontakt zum Fahrzeug.
- Prüfen Sie das Fahrzeug auf lose Radteile.
- Prüfen Sie die Lenkbaugruppe auf lose Teile. Wenn Sie das Fahrzeug im Gelände fahren, können sich Befestigungen mit der Zeit lockern.
- Fahren Sie das Fahrzeug nicht in hohem Gras. Dadurch können das Fahrzeug oder die Elektronik beschädigt werden.
- Halten Sie das Fahrzeug an, wenn Sie bemerken, dass der Antrieb nachlässt. Wenn Sie das Fahrzeug mit schwachem Akku fahren, kann sich der Empfänger ausschalten. Dann können Sie die Kontrolle über das Fahrzeug verlieren. Schäden durch einen tiefentladenen LiPo Akku sind nicht durch die Garantie gedeckt.

⚠ ACHTUNG: Entladen Sie einen Li-Po-Akku nicht unter 3 V pro Zelle. Akkus, die unter die angegebene Mindestspannung tiefentladen werden, können beschädigt werden, was die Leistung beeinträchtigen und möglicherweise beim Laden einen Brand verursachen kann.

BEVOR SIE IHR FAHRZEUG FAHREN

1. Überprüfen Sie die Aufhängung. Alle beweglichen Teile der Aufhängung müssen sich frei bewegen lassen. Jedes schwergängige Teil vermindert die Leistung.
Tipp: Installieren Sie die im Lieferumfang enthaltenen Stoßdämpferdistanzringe um die Fahrzeughöhe und Bodenfreiheit anzupassen.
2. Laden Sie den Akkupacks. Laden Sie den Akku stets nach den Vorgaben des Herstellers oder nach den Vorgaben des Ladegerätherstellers
3. Einstellen der Lenktrimmung am Sender. Folgen Sie den Anweisungen zum Einstellen der Trimm- und Subtrimmfunktion, so dass das Fahrzeug ohne Steuereingabe geradeaus fährt.
4. Führen Sie einen Steuertest durch.

LAUFZEIT

Der größte Faktor bei der Fahrzeit ist die Kapazität des Akkupacks. Ein höherer mAh-Wert bedeutet eine längere Fahrzeit.

Der Zustand des Akkupacks ist ebenfalls ein wichtiger Faktor für Fahrzeit und Geschwindigkeit. Die Akkuanschlüsse können sich beim Fahren erhitzen. Akkus verlieren mit der Zeit an Leistung und Kapazität.

Wenn Sie das Fahrzeug wiederholt aus dem Stand auf die Höchstgeschwindigkeit beschleunigen, werden die Akkus und die Elektronik mit der Zeit beschädigt. Plötzliche Beschleunigung verkürzt außerdem die Fahrzeit.

SO VERLÄNGERN SIE DIE LAUFZEIT

- Halten Sie Ihr Fahrzeug sauber und in gutem Wartungszustand.
- Erlauben Sie einen besseren Luftstrom zum Regler (ESC) und zum Motor.
- Wechseln Sie das Getriebe zu einem niedrigeren Übersetzungsverhältnis. Ein niedrigeres Übersetzungsverhältnis senkt die Betriebstemperatur der Elektronik. Verwenden Sie ein kleineres Ritzel oder ein größeres Stirnrad, um das Übersetzungsverhältnis zu senken.
- Verwenden Sie ein Akkupack mit einem höheren mAh-Wert.
- Verwenden Sie zum Laden ein geeignetes Ladegerät.

PROBLEMLÖSUNG

PROBLEM	MÖGLICHE URSACHE	LÖSUNG
Fahrzeug funktioniert nicht	Akku nicht geladen oder eingesteckt	Akku laden/an Regler stecken
	Reglerschalter nicht auf ON (EIN) gestellt	Schalten Sie den Regler ein (ON)
	Sender nicht eingeschaltet (ON) oder Batterien leer	Einschalten (ON)/Batterien ersetzen
Motor läuft, aber Räder drehen nicht	Ritzel hat keinen Kontakt zum Zahnrad	Stellen Sie das Zahnflankenspiel ein
	Ritzel dreht auf Motorwelle	Ziehen Sie das Ritzel auf der Motorwelle an
	Zahnräder abgenutzt	Ersetzen Sie das Ritzel
	Antriebsstift/Mitnehmer gebrochen	Überprüfen und ersetzen Sie den Mitnehmer
Lenkung arbeitet nicht	Servostecker nicht richtig im Empfänger angeschlossen	Stellen Sie sicher dass der Servostecker richtig herum im richtigen Kanal angeschlossen wurde
	Servogetriebe oder Motor defekt	Ersetzen oder reparieren Sie das Servo
Lenkt nicht in eine Richtung	Servogetriebe beschädigt	Ersetzen oder reparieren Sie das Servo
Motor dreht nicht	Motoranschluß/Lötstelle ist beschädigt	Löten Sie das Kabel wieder an
	Motorkabel ist gebrochen	Reparieren oder ersetzen Sie wie benötigt
	Regler ist beschädigt	Kontaktieren Sie den technischen Service von Horizon Hobby
	Die Batteriespannung ist niedrig	Batteriespannung prüfen und ggf. laden
Regler wird heiß	Motorübersetzung falsch gewählt	Verwenden Sie kleinere Ritzel oder ein größeres Zahnrad
	Antrieb blockiert	Überprüfen Sie den Antrieb auf Blockieren
Geringe Laufzeit oder schlechte Beschleunigung	Akkupack nicht vollständig geladen	Laden Sie den Akku
	Ladegerät lädt nicht vollständig	Verwenden Sie anderes Ladegerät
	Antrieb behindert/blockiert	Überprüfen Sie Räder oder Antrieb auf Behinderung/Blockierung
Schlechte Reichweite oder Aussetzer	Senderbatterien leer	Überprüfen und ersetzen
	Fahrzeugakku leer	Laden Sie den Akku
	Lose Kabel oder Anschlüsse	Überprüfen Sie alle Anschlüsse und Stecker

- Drücken Sie den Gashebel nicht nach vorn oder hinten, wenn das Fahrzeug feststeckt. Wenn Sie in der Situation Gas geben kann der Motor oder der Regler (ESC) beschädigt werden.
- Lassen Sie nach jeder Fahrt die Elektronik auf Umgebungstemperatur abkühlen, bevor Sie das nächste Akkupack verwenden.

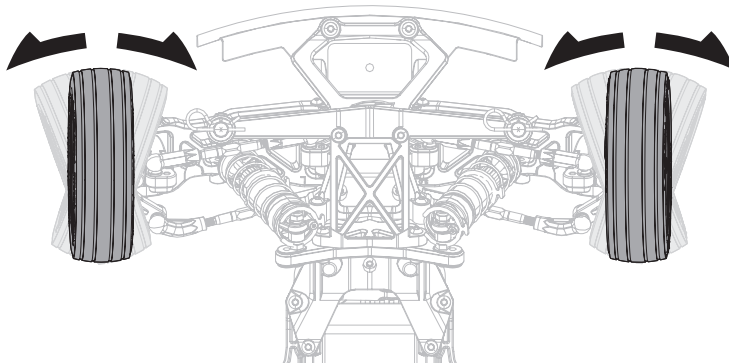
WICHTIG: Halten Sie alle Kabel weg von allen beweglichen Teilen.

EINSCHALTEN DES FAHRZEUGES

1. Zentrieren Sie die ST TRIM und TH Trim Regler auf dem Sender.
2. Schalten Sie Sender ein.
3. Schließen Sie einen vollständig geladenen Akku an den Regler an.
4. Schalten Sie den Regler ein.

WICHTIG: Das Fahrzeug muß auf einem ebenen Untergrund vollkommen bewegungslos für

DURCHFÜHREN EINES STEUERTEST



Führen Sie den Funktionstest durch, ohne dass die Räder den Boden berühren. Sollten sich die Räder nach dem Einschalten drehen, justieren Sie die Gastrimmung mit TH Trim Knopf bis die Räder stoppen. Um die Räder nach vorne drehen zu lassen, ziehen Sie den Gashebel. Um rückwärts zu fahren warten Sie bis die Räder zum Stillstand gekommen sind und drücken dann den Hebel nach vorne. Bei der Vorwärtsfahrt sollte das Fahrzeug ohne Lenkeingabe geradeaus fahren. Falls nicht justieren Sie die Lenktrimmung mit dem ST Knopf bis das Fahrzeug geradeaus fährt.

GARANTIE UND SERVICE INFORMATIONEN

Warnung

Ein ferngesteuertes Modell ist kein Spielzeug. Es kann, wenn es falsch eingesetzt wird, zu erheblichen Verletzungen bei Lebewesen und Beschädigungen an Sachgütern führen. Betreiben Sie Ihr RC-Modell nur auf freien Plätzen und beachten Sie alle Hinweise der Bedienungsanleitung des Modells wie auch der Fernsteuerung.

Garantiezeitraum

Exklusive Garantie Horizon Hobby LLC (Horizon) garantiert, dass dasgekaufte Produkt frei von Material- und Montagefehlern ist. Der Garantiezeitraum entspricht den gesetzlichen Bestimmungen des Landes, in dem das Produkt erworben wurde. In Deutschland beträgt der Garantiezeitraum 6 Monate und der Gewährleistungszeitraum 18 Monate nach dem Garantiezeitraum.

Einschränkungen der Garantie

(a) Die Garantie wird nur dem Erstkäufer (Käufer) gewährt und kann nicht übertragen werden. Der Anspruch des Käufers besteht in der Reparatur oder dem Tausch im Rahmen dieser Garantie. Die Garantie erstreckt sich ausschließlich auf Produkte, die bei einem autorisierten Horizon Händler erworben wurden. Verkäufe an dritte werden von dieser Garantie nicht gedeckt. Garantieansprüche werden nur angenommen, wenn ein gültiger Kaufnachweis erbracht wird. Horizon behält sich das Recht vor, diese Garantiebestimmungen ohne Ankündigung zu ändern oder modifizieren und widerruft dann bestehende Garantiebestimmungen.

(b) Horizon übernimmt keine Garantie für die Verkaufbarkeit des Produktes, die Fähigkeiten und die Fitness des Verbrauchers für einen bestimmten Einsatzzweck des Produktes. Der Käufer allein ist dafür verantwortlich, zu prüfen, ob das Produkt seinen Fähigkeiten und dem vorgesehenen Einsatzzweck entspricht.

(c) Ansprüche des Käufers → Es liegt ausschließlich im Ermessen von Horizon, ob das Produkt, bei dem ein Garantiefall festgestellt wurde, repariert oder ausgetauscht wird. Dies sind die exklusiven Ansprüche des Käufers, wenn ein Defekt festgestellt wird.

Horizon behält sich vor, alle eingesetzten Komponenten zu prüfen, die in den Garantiefall einbezogen werden können. Die Entscheidung zur Reparatur oder zum Austausch liegt nur bei Horizon. Die Garantie schließt kosmetische Defekte oder Defekte, hervorgerufen durch höhere Gewalt, falsche Behandlung des Produktes, falscher Einsatz des Produktes, kommerziellen Einsatz oder Modifikationen irgendetwelcher Art aus.

Die Garantie schließt Schäden, die durch falschen Einbau, falsche Handhabung, Unfälle, Betrieb, Service oder Reparaturversuche, die nicht von Horizon ausgeführt wurden aus.

Ausgeschlossen sind auch Fälle die bedingt durch (vii) eine Nutzung sind, die gegen geltendes Recht, Gesetze oder Regularien verstoßen haben. Rücksendungen durch den Käufer direkt an Horizon oder eine seiner Landesvertretung bedürfen der Schriftform.

Schadensbeschränkung

Horizon ist nicht für direkte oder indirekte Folgeschäden, Einkommensausfälle oder kommerzielle Verluste, die in irgendeinem Zusammenhang mit dem Produkt stehen verantwortlich, unabhängig ab ein Anspruch im Zusammenhang mit einem Vertrag, der Garantie oder der Gewährleistung erhoben werden. Horizon wird darüber hinaus keine Ansprüche aus einem Garantiefall akzeptieren, die über den individuellen Wert des Produktes hinaus gehen. Horizon hat keinen Einfluss auf den Einbau, die Verwendung oder die Wartung des Produktes oder etwaiger Produktkombinationen, die vom Käufer gewählt werden. Horizon übernimmt keine Garantie und akzeptiert keine Ansprüche für in der folge auftretende Verletzungen oder Beschädigungen. Mit der Verwendung und dem Einbau des Produktes akzeptiert der Käufer alle aufgeführten Garantiebestimmungen ohne Einschränkungen und Vorbehalte.

Wenn Sie als Käufer nicht bereit sind, diese Bestimmungen im Zusammenhang mit der Benutzung des Produktes zu akzeptieren, werden Sie gebeten, das Produkt in unbenutztem Zustand in der Originalverpackung vollständig bei dem Verkäufer zurückzugeben.

Sicherheitshinweise

Dieses ist ein hochwertiges Hobby Produkt und kein Spielzeug. Es muss mit Vorsicht und Umsicht eingesetzt werden und erfordert einige mechanische wie auch mentale Fähigkeiten. Ein Versagen, das Produkt sicher und umsichtig zu betreiben kann zu Verletzungen von Lebewesen und Sachbeschädigungen erheblichen Ausmaßes führen. Dieses Produkt ist nicht für den Gebrauch durch Kinder ohne die Aufsicht eines Erziehungsberechtigten vorgesehen. Die Anleitung enthält Sicherheitshinweise und Vorschriften sowie Hinweise für die Wartung und den Betrieb des Produktes. Es ist unabdingbar, diese Hinweise vor der ersten Inbetriebnahme zu lesen und zu verstehen. Nur so kann der falsche Umgang verhindert und Unfälle mit Verletzungen und Beschädigungen vermieden werden.

Fragen, Hilfe und Reparaturen

Ihr lokaler Fachhändler und die Verkaufsstelle können eine Garantiebeurteilung ohne Rücksprache mit Horizon nicht durchführen. Dies gilt auch für Garantiereparaturen. Deshalb kontaktieren Sie in einem solchen Fall den Händler, der sich mit Horizon kurz schließen wird, um eine sachgerechte Entscheidung zu fällen, die Ihnen schnellst möglich hilft.

Wartung und Reparatur

Muss Ihr Produkt gewartet oder repariert werden, wenden Sie sich entweder an Ihren Fachhändler oder direkt an Horizon.

Rücksendungen / Reparaturen werden nur mit einer von Horizon vergebenen RMA Nummer bearbeitet. Diese Nummer erhalten Sie oder ihr Fachhändler vom technischen Service. Mehr Informationen dazu erhalten Sie im Serviceportal unter www.Horizonhobby.de oder telefonisch bei dem technischen Service von Horizon.

Packen Sie das Produkt sorgfältig ein. Beachten Sie, dass der Originalkarton in der Regel nicht ausreicht, um beim Versand nicht beschädigt zu werden. Verwenden Sie einen Paketdienstleister mit einer Tracking Funktion und Versicherung, da Horizon bis zur Annahme keine Verantwortung für den Versand des Produktes übernimmt. Bitte legen Sie dem Produkt einen Kaufbeleg bei, sowie eine ausführliche Fehlerbeschreibung und eine Liste aller eingesendeten Einzelkomponenten. Weiterhin benötigen wir die vollständige Adresse, eine Telefonnummer für Rückfragen, sowie eine Email Adresse.

Garantie und Reparaturen

Garantieanfragen werden nur bearbeitet, wenn ein Originalkaufbeleg von einem autorisierten Fachhändler beiliegt, aus dem der Käufer und das Kaufdatum hervorgeht. Sollte sich ein Garantiefall bestätigen wird das Produkt repariert oder ersetzt. Diese Entscheidung obliegt einzig Horizon Hobby.

Kostenpflichtige Reparaturen

Liegt eine kostenpflichtige Reparatur vor, erstellen wir einen Kostenvorschlag, den wir Ihrem Händler übermitteln. Die Reparatur wird erst vorgenommen, wenn wir die Freigabe des Händlers erhalten. Der Preis für die Reparatur ist bei Ihrem Händler zu entrichten. Bei kostenpflichtigen Reparaturen werden mindestens 30 Minuten Werkstattzeit und die Rückversandkosten in Rechnung gestellt. Sollten wir nach 90 Tagen keine Einverständniserklärung zur Reparatur vorliegen haben, behalten wir uns vor, das Produkt zu vernichten oder anderweitig zu verwerten.

ACHTUNG: Kostenpflichtige Reparaturen nehmen wir nur für Elektronik und Motoren vor. Mechanische Reparaturen, besonders bei Hubschraubern und RC-Cars sind extrem aufwendig und müssen deshalb vom Käufer selbst –vorgenommen werden.

10/15

GARANTIE UND SERVICE KONTAKTINFORMATIONEN

Land des Kauf	Horizon Hobby	Telefon/E-mail Adresse	Adresse
Europäische Union	Horizon Technischer Service	service@horizonhobby.eu +49 (0) 4121 2655 100	Hanskampring 9 D 22885 Barsbüttel, Germany
	Sales: Horizon Hobby GmbH		

RECHTLICHE INFORMATIONEN FÜR DIE EUROPÄISCHE UNION

Offizieller EU-Hersteller:

Horizon Hobby, LLC
2904 Research Road
Champaign, IL 61822 USA

Offizieller EU-Importeur:

Horizon Hobby, GmbH
Hanskampring 9
22885 Barsbüttel Germany

WEEE-HINWEIS:



Dieses Gerät ist gemäß der Europäischen Richtlinie 2012/19/EU über Elektro- und Elektronik-Altgeräte (WEEE) gekennzeichnet. Dieses Symbol weist darauf hin, dass dieses Produkt kein normaler Haushaltsabfall ist, sondern in einer entsprechenden Sammelstelle für Elektro- und Elektronik-Altgeräte entsorgt werden muss.

REMARQUE

Toutes les instructions, garanties et autres documents de garantie sont sujets à la seule discrétion de Horizon Hobby, LLC. Veuillez, pour une documentation produit bien à jour, visiter le site internet www.horizonhobby.com ou www.towerhobbies.com et cliquer sur l'onglet de support de ce produit.

SIGNIFICATION DE CERTAINS TERMES SPÉCIFIQUES

Les termes suivants sont utilisés dans l'ensemble du manuel pour indiquer différents niveaux de danger lors de l'utilisation de ce produit :

AVERTISSEMENT : Procédures qui, si elles ne sont pas suivies correctement, peuvent entraîner des dégâts matériels et des blessures graves OU engendrer une probabilité élevée de blessure superficielle.

ATTENTION : Procédures qui, si elles ne sont pas suivies correctement, peuvent entraîner des dégâts matériels ET des blessures graves.

REMARQUE : Procédures qui, si elles ne sont pas suivies correctement, peuvent entraîner des dégâts matériels ET éventuellement un faible risque de blessures.

AVERTISSEMENT : Lisez la TOTALITÉ du manuel d'utilisation afin de vous familiariser avec les caractéristiques du produit avant de le faire fonctionner. Une utilisation incorrecte du produit peut entraîner sa détérioration, ainsi que des risques de dégâts matériels, voire de blessures graves.

Ceci est un produit de loisirs sophistiqué. Il doit être manipulé avec prudence et bon sens et requiert des aptitudes de base en mécanique. Toute utilisation irresponsable de ce produit ne respectant pas les principes de sécurité peut provoquer des blessures, entraîner des dégâts matériels et endommager le produit. Ce produit n'est pas destiné à être utilisé par des enfants sans la surveillance directe d'un adulte. N'essayez pas de démonter le produit, de l'utiliser avec des composants incompatibles ou d'en améliorer les performances sans l'accord d'Horizon Hobby, LLC. Ce manuel comporte des instructions relatives à la sécurité, au fonctionnement et à l'entretien. Il est capital de lire et de respecter la totalité des instructions et avertissements du manuel avant l'assemblage, le réglage et l'utilisation, ceci afin de manipuler correctement l'appareil et d'éviter tout dégât matériel ou toute blessure grave.

AVERTISSEMENT CONTRE LES PRODUITS CONTREFAITS Toujours acheter chez un revendeur officiel Horizon hobby pour être sûr d'avoir des produits authentiques. Horizon Hobby décline toute garantie et responsabilité concernant les produits de contrefaçon ou les produits se disant compatibles DSM ou Spektrum.

14 ans et plus. Ceci n'est pas un jouet.

PRÉCAUTIONS ET AVERTISSEMENTS LIÉS À LA SÉCURITÉ

En tant qu'utilisateur de ce produit, il est de votre seule responsabilité de le faire fonctionner d'une manière qui ne mette en danger ni votre personne, ni de tiers et qui ne provoque pas de dégâts au produit lui-même ou à la propriété d'autrui.

Ce modèle est contrôlé par un signal radio, qui peut être soumis à des interférences provenant de nombreuses sources hors de votre contrôle. Ces interférences peuvent provoquer une perte momentanée de contrôle. Il est donc conseillé de garder une bonne distance de sécurité tout autour de votre modèle, ce qui aidera à éviter les collisions ou les blessures.

- Ne faites jamais fonctionner votre modèle lorsque les batteries de l'émetteur sont faibles.
- Faites toujours fonctionner votre modèle dans une zone dégagée, à l'écart des voitures, de la circulation ou de personnes.
- Ne faites jamais et pour quelque raison que ce soit fonctionner votre modèle dans la rue ou dans des zones habitées.
- Respectez scrupuleusement les instructions et avertissement à cet effet ainsi que pour tous les équipements optionnels/complémentaires (chargeurs, packs de batteries rechargeables, etc.) que vous utilisez.

- Tenez tous les produits chimiques, les petites pièces et les composants électroniques hors de portée des enfants.
- Ne léchez ni ne mettez jamais en bouche quelque partie de votre modèle que ce soit, afin d'éviter tout risque de blessures graves, voire danger de mort.
- Faites bien attention lors de l'utilisation d'outils et lors de l'utilisation d'instruments coupants.
- Faites bien attention lors du montage, certaines pièces peuvent avoir des bords coupants.
- Après avoir utilisé votre modèle, NE touchez PAS à certaines de ces pièces telles que le moteur, le contrôleur électronique de vitesse et la batterie, car elles peuvent encore se trouver à des températures élevées. Vous risquez de vous brûler gravement en cas de contact avec elles.
- Ne mettez ni vos doigts ni aucun autre objet entre des pièces en rotation ou en mouvement, vous risqueriez des dommages ou des blessures graves.
- Allumez toujours votre émetteur avant d'allumer le récepteur du véhicule. Éteignez toujours le récepteur avant d'éteindre votre émetteur.
- Veillez à ce que les roues du modèle ne soient pas en contact avec le sol lorsque vous contrôlez le fonctionnement de votre équipement radio.

TABLE DES MATIÈRES

CONTENU DE LA BOITE	16	PRÉCAUTIONS DE PILOTAGE	21
DÉMARRAGE RAPIDE	17	MISE SOUS TENSION DU VÉHICULE	21
INSTALLATION DU MOTEUR	17	AVANT DE FAIRE ROULER VOTRE VÉHICULE	21
RÉGLAGE DE L'ENTRE-DENTS	17	AUTONOMIE	21
INSTALLATION DU SERVO	17	POUR AMÉLIORER L'AUTONOMIE	21
INSTALLATION LE VARIATEUR ESC	18	TEST DE DIRECTION	21
INSTALLATION DU RÉCEPTEUR	18	GUIDE DE DÉPANNAGE	21
INSTALLATION DU BATTERIE	19	GARANTIE ET RÉPARATIONS	22
AJUSTEMENT DE LA BARRE DE CABRÉ	19	COORDONNÉES DE GARANTIE ET RÉPARATIONS	22
AJUSTEMENT GROSSIER	19	INFORMATIONS DE CONFORMITÉ POUR L'UNION EUROPÉENNE	22
AJUSTEMENT PRÉCIS	19	EXPLODED VIEW	29-33
AJUSTEMENT DU CARROSSAGE	19	REPLACEMENT PARTS	34-35
AJUSTEMENT DU PINCEMENT	19	RECOMMENDED PARTS	35
RETRAIT DU DIFFÉRENTIEL ARRIÈRE	20	OPTIONAL PARTS	36-37

CONTENU DE LA BOITE

INCLUS	COMPOSANTS REQUIS	COMPOSANTS RECOMMANDÉS	NUMÉRO DE RÉFÉRENCE
Losi® Brushless 22S No Prep Drag Roller	Système de commande radio à 2+ canaux	Récepteur SR315, émetteur uniquement 5 canaux DSMR DXSC Spektrum	SPM5115 SPMSR315
	Servo de direction à couple élevé	Spektrum 6KG Waterproof Servo	SPMS606
	ESC	Variateur ESC Smart 100 A Firma Spektrum	SPMXSE1100
	Moteur	Spektrum 3652 4-Pole Brushless Motor 6500Kv	SPMXSM2800
	Pignon	16T	Voir la liste des pièces
	Batterie Li-Po à boîtier rigide 2S	50C or Higher Spektrum 2S Smart Hardcase LiPo with IC5	SPMX50002S100H5
	Chargeur	Spektrum SMART S1200 DC Charger, 1x200W	SPMXC1000

OUTILS NÉCESSAIRES
Clé à six pans de 1,5 mm
Clé à six pans de 2 mm
Clé à six pans de 2,5 mm
Tourne-écrou de 5,5 mm
Tourne-écrou de 7 mm

DÉMARRAGE RAPIDE

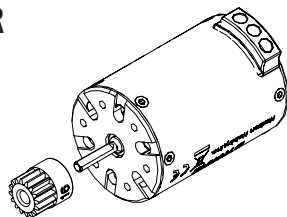
Veuillez entièrement lire le manuel pour comprendre le fonctionnement, les réglages et la maintenance de votre 22S Roller.

1. Lisez les précautions de sécurité disponibles dans ce manuel.
2. Mettez en place le moteur, le récepteur, le variateur ESC et le servo de direction.*
3. Raccordez la barre de commande de direction à l'économiseur de servo.
4. Acheminez les fils du servo et de l'ESC, puis branchez-les sur le récepteur.
5. Chargez une batterie* pour le véhicule. Veuillez vous référer au manuel de votre chargeur* pour connaître les avertissements et consignes importants concernant le chargement de la batterie.
6. Installez la batterie entièrement chargée dans le véhicule.
7. Affectez le récepteur à votre émetteur. Vérifiez que les commandes sont bien centrées.
8. Montez l'économiseur de servo sur le servo avec la direction centrée.
9. Ajustez la direction et la course de votre servo si besoin sur votre émetteur.
10. Étalonnez votre ESC.
11. Mettez en place le couvercle par-dessus le récepteur.
12. Vérifiez les directions de commande de la direction et des gaz. Inversez le servo sur votre émetteur si la direction est inversée. Inversez le moteur avec les connexions de fil ou les réglages de l'ESC si les gaz sont à l'envers.
13. Mettez en place les roues.
14. Conduisez votre véhicule.
15. Débranchez la batterie lorsque vous avez fini votre pilotage.

*Composants électroniques non inclus

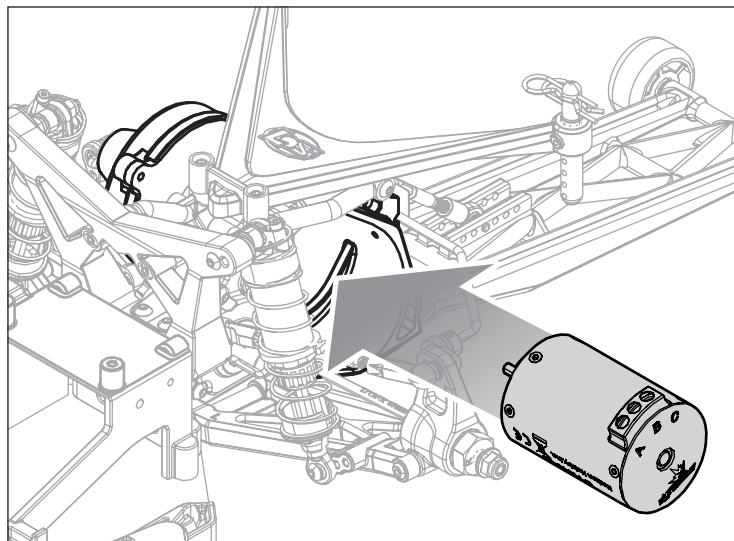
INSTALLATION DU MOTEUR

1. Mettez en place le pignon sur votre moteur. Placez le pignon sur l'extrémité de l'arbre du moteur de façon à ce que la vis de calage soit située sur le plat de l'arbre.
2. Positionnez-le de manière à ce que les dents soient alignées avec la roue droite cylindrique et fixez le pignon en serrant la vis de calage.
3. Mettez en place votre moteur. Deux orifices vont s'aligner avec les orifices de montage du moteur. Le moteur peut glisser vers l'avant ou vers l'arrière pour obtenir un engrenement approprié.



Pignon vendu séparément

ATTENTION : Il est important de régler l'engrenement de façon appropriée. Dans le cas contraire, il y aura des engrenages dénudés.

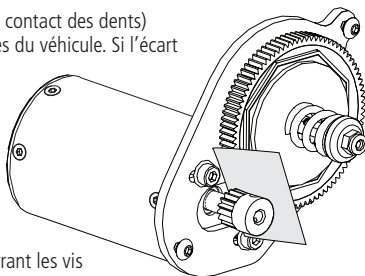


4. Mettez en place le capot de la boîte à engrenage.

RÉGLAGE DE L'ENTRE-DENTS

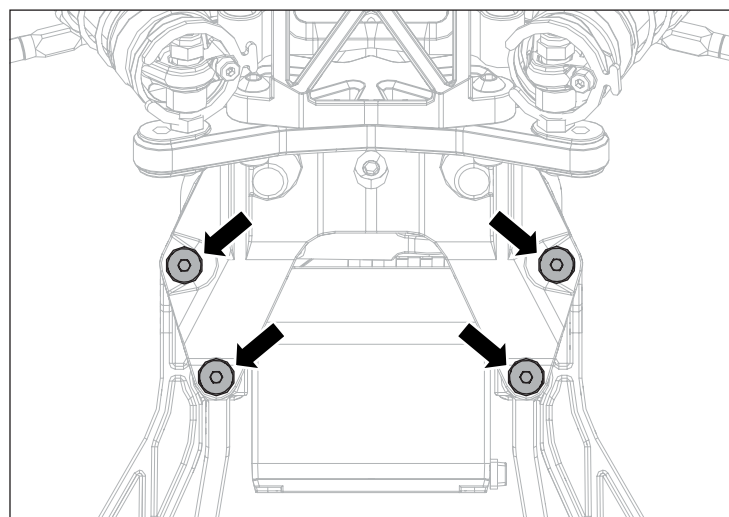
Un réglage parfait de l'entre-dents (le point de contact des dents) de pignons est important pour les performances du véhicule. Si l'écart est trop important, la couronne risque d'être endommagée par le pignon du moteur. Si l'écart est trop faible, la vitesse sera limitée et le moteur et le contrôleur vont surchauffer.

1. Dévissez les vis de fixation du moteur.
2. Glissez un petit morceau de papier entre le pignon et la couronne.
3. Rapprochez le pignon de la couronne en serrant les vis du moteur.
4. Retirez le morceau de papier, les pignons doivent avoir un léger jeu.

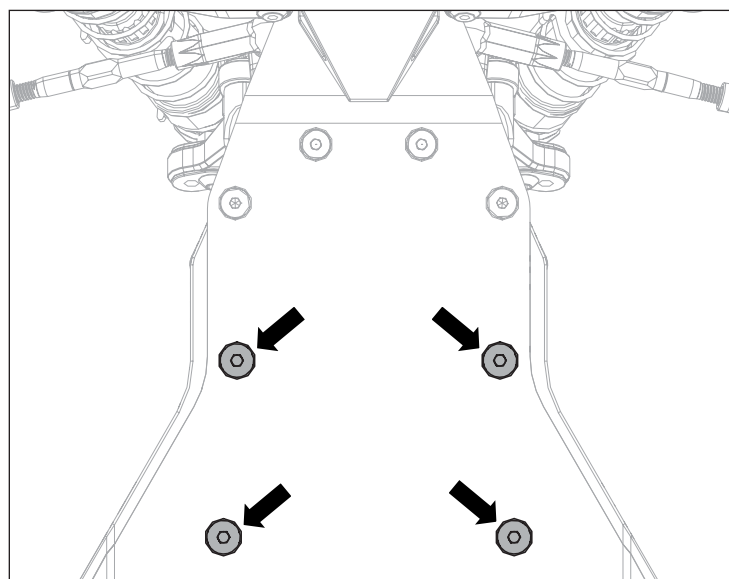


INSTALLATION DU SERVO

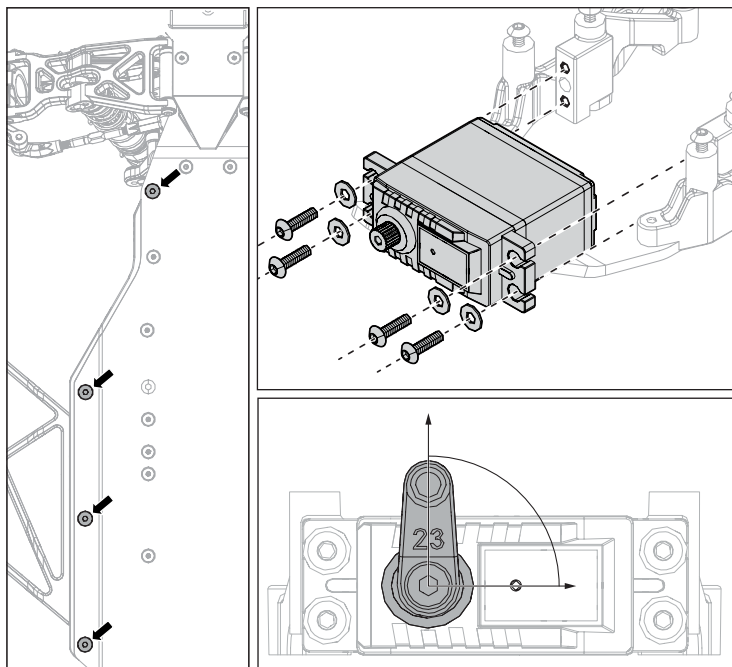
1. À l'aide d'une clé à six pans de 2,0 mm, retirez les quatre (4) vis en haut du support avant.



2. Retirez les quatre (4) vis qui fixent le support de montage du servo sur le châssis.



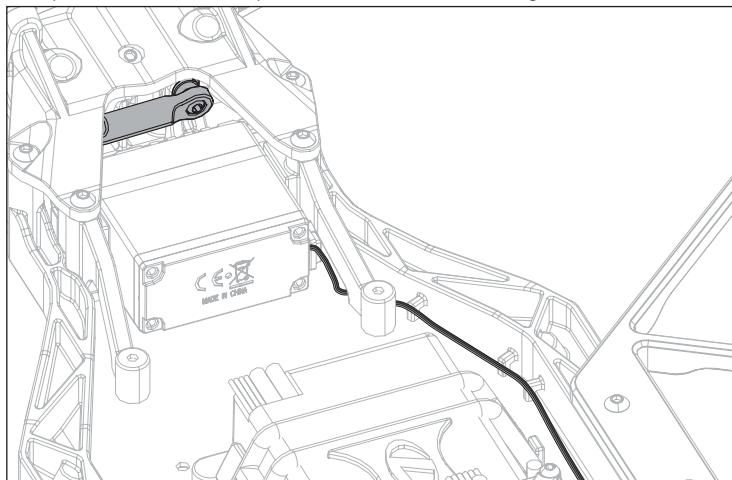
- Retirez les quatre (4) vis qui maintiennent l'ensemble garde-boue sur le côté droit.
- Retirez les supports du servo du châssis et montez le servo avec l'arbre de sortie vers le côté droit du châssis.



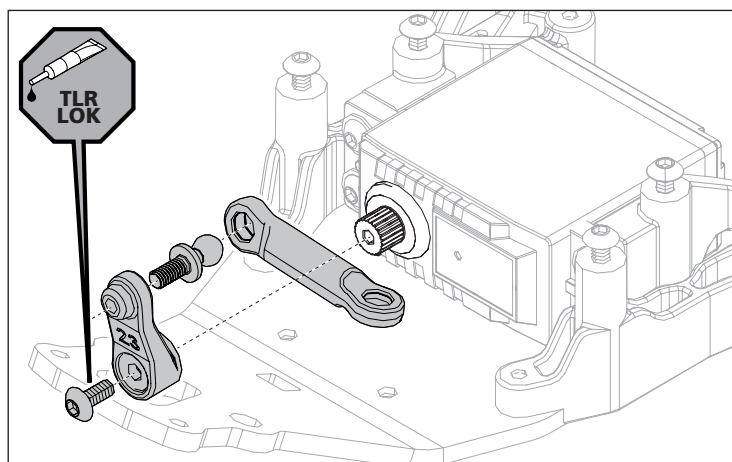
- Retirez le renvoi de commande du servo de la tringlerie de fixation.
- Centrez le servo de direction en branchant le servo dans le récepteur ou à l'aide d'un contrôleur pour servo. Installez le renvoi de commande du servo pour que la bille soit à 90°.

REMARQUE : Avant d'installer le renvoi de commande du servo, assurez-vous que le compensateur du servo de transmission est centré.

- Faites glisser le servo en position dans le châssis et fixez légèrement l'ensemble sur le châssis à l'aide des deux (2) vis arrière.
- Acheminez le fil du servo vers l'ensemble garde-boue côté droit à l'aide des crochets fournis pour acheminer le fil vers le boîtier du récepteur. Fixez ensuite l'ensemble garde-boue à l'aide des quatre (4) vis par en-dessous.
- Repositionnez toutes les vis qui ont été retirées lors du démontage.

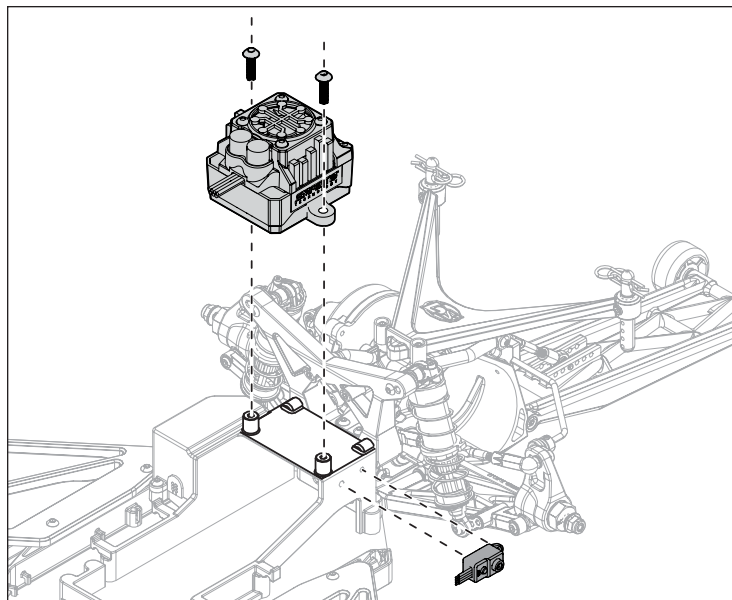


- Fixez la tringlerie de fixation sur la bille du renvoi de commande pour terminer l'installation du servo.



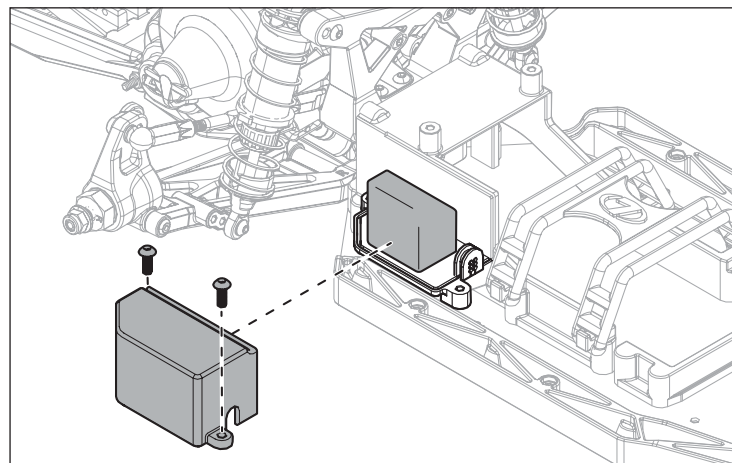
INSTALLATION LE VARIATEUR ESC

- Installez votre ESC. Connectez les fils du moteur au variateur ESC. Consultez le manuel de votre ESC pour obtenir de plus amples informations.
- Acheminez le fil des gaz jusqu'au boîtier du récepteur.
- Si vous prévoyez d'utiliser des options auxiliaires, comme des feux, acheminez les fils jusqu'à l'intérieur du boîtier du récepteur.



INSTALLATION DU RÉCEPTEUR

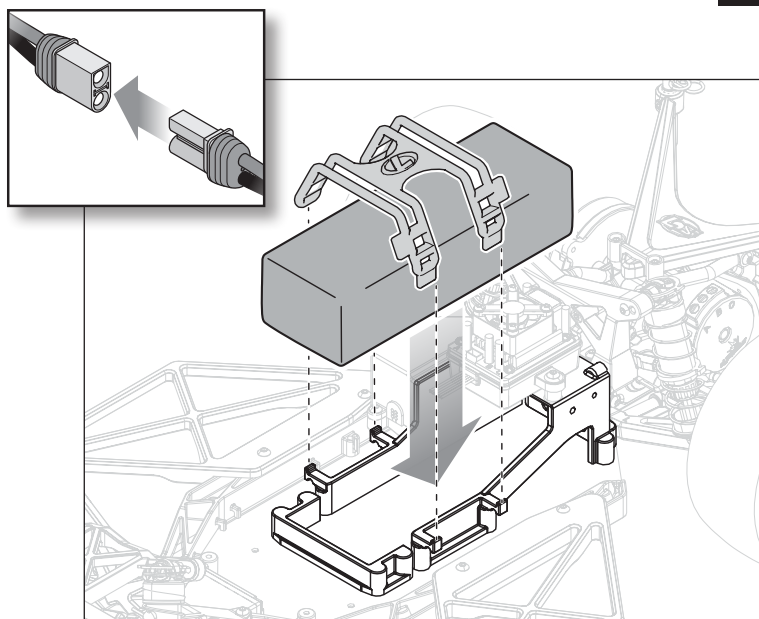
- Retirez les deux vis du couvercle du boîtier du récepteur et installez le récepteur avec du ruban adhésif double face ou de la bande auto-agrippante.



- Insérez les connecteurs du servo et de l'ESC dans les ports appropriés du récepteur.
- Raccordez la barre de commande de direction à l'économiseur de servo (qui n'est pas encore raccordé au servo).
- Vérifiez que le servo de direction est centré et qu'il se déplace dans la bonne direction.
- Avec la tringlerie de direction centrée, raccordez l'économiseur de servo au servo et insérez la vis qui était incluse avec votre servo.
- Vérifiez la direction et la course de la direction, puis ajustez le point central avec les paramètres de votre émetteur. Consultez le manuel de votre émetteur pour en savoir plus.

INSTALLATION DU BATTERIE

1. Assurez-vous que le contrôleur est hors tension.
2. Retirez un côté de la sangle en élastomère des montants de la batterie.
3. Faites glisser une batterie entièrement chargée dans l'avant du véhicule jusqu'à ce que la batterie se positionne.
4. Refixez les sangles en élastomère sur les montants de la batterie.
5. Connectez la batterie au contrôleur en respectant la polarité.
6. Mettez l'émetteur sous tension, puis le véhicule.

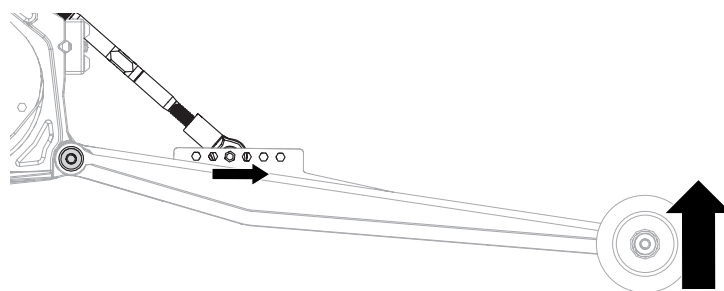


AJUSTEMENT DE LA BARRE DE CABRÉ

La barre de cabré de la voiture de dragster Losi 22S est conçue pour permettre un ajustement optimal. Deux options d'ajustement permettent un ajustement précis de la hauteur et un ajustement facile.

AJUSTEMENT GROSSIER

1. Déplacez le point de fixation du ridoir inférieur vers l'avant ou vers l'arrière pour régler la barre de cabré à la hauteur requise.
2. Déplacez à nouveau le point de fixation pour lever la barre de cabré et soutenir l'arrière de la barre de cabré.



AJUSTEMENT PRÉCIS

Ajustez le ridoir pour régler avec précision la hauteur de la barre de cabré, en réglant de façon précise la hauteur des roues de la barre de cabré à partir du sol.

CONSEIL : Placer les roues de la barre de cabré à 1,27 cm du sol permet d'obtenir un espace approprié et une traction adéquate de la roue arrière lors d'une accélération à pleins gaz.

AJUSTEMENT DU CARROSSAGE

Le carrossage est l'angle que l'on choisit de donner à la roue en fonction du sol. Une inclinaison vers l'intérieur signifie un carrossage négatif et une inclinaison vers l'extérieur signifie un carrossage positif.

Lorsque le véhicule aborde un virage, le châssis fait des roulis. Lorsque le véhicule fait des roulis, les pneus penchent dans les virages, entraînant un point de contact moins important de la surface du pneu avec le sol (à un carrossage de 0°). Pour contourner ce problème, quelques degrés de carrossage négatif sont ajoutés en usine.

Effets du carrossage avant : L'ajout d'un carrossage négatif d'environ -1 à -2 assure un contact optimal au sol, permettant une traction adéquate de l'extrémité avant. L'ajout d'un carrossage supplémentaire réduit la traction. Si la direction semble avoir du jeu, retirez un degré de carrossage.

Effets du carrossage arrière : Le carrossage a deux effets sur la suspension arrière. En ligne droite, l'accélération maximale est atteinte avec un carrossage de 0 degré. L'ajout d'un carrossage réduit la traction avant mais augmente la stabilité de la direction. Si le véhicule a du jeu, ajoutez un carrossage arrière pour maintenir le véhicule en ligne droite.

1. Pour ajuster le carrossage avant et arrière, sélectionnez l'une des nombreuses positions d'orifice sur les deux moyeux, ainsi que les cales de carrossage. La cale de carrossage arrière est intégrée à la tour d'amortisseur.
2. Ajustez le ridoir avec précision.

AJUSTEMENT DU PINCEMENT

AVANT

L'ajout d'un pincement va augmenter la direction puissance en marche et offrir une meilleure direction.

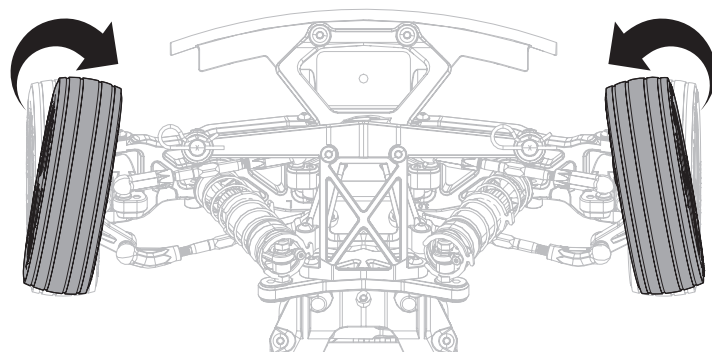
L'ajout d'une ouverture va réduire la direction puissance en marche et peut procurer la sensation d'une plus grande traction arrière.

ARRIÈRE

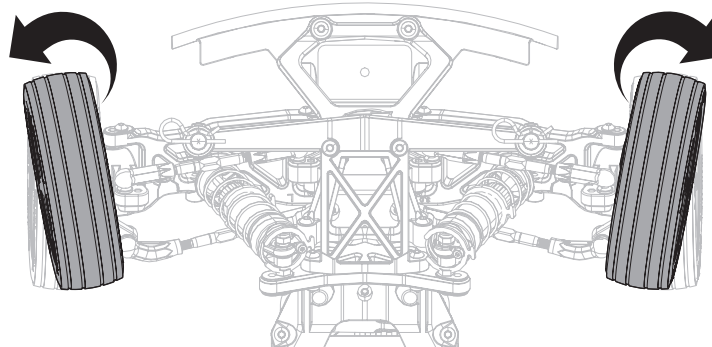
Plus de pincement : Augmentation de la traction avant. Augmentation du pincement sur des surfaces de traction inférieures.

Moins de pincement : Réduction de la traction avant. Réduction du pincement sur des surfaces de traction supérieures. Pour ajuster le pincement arrière :

Le pincement arrière sur le Roller 22S est de 3 degrés. Ajustez le pincement arrière à l'aide de l'ensemble de blocs pivots arrière (LOS234048) qui comprend des blocs pivots de 1,5 degrés, 3 degrés et 4,5 degrés.



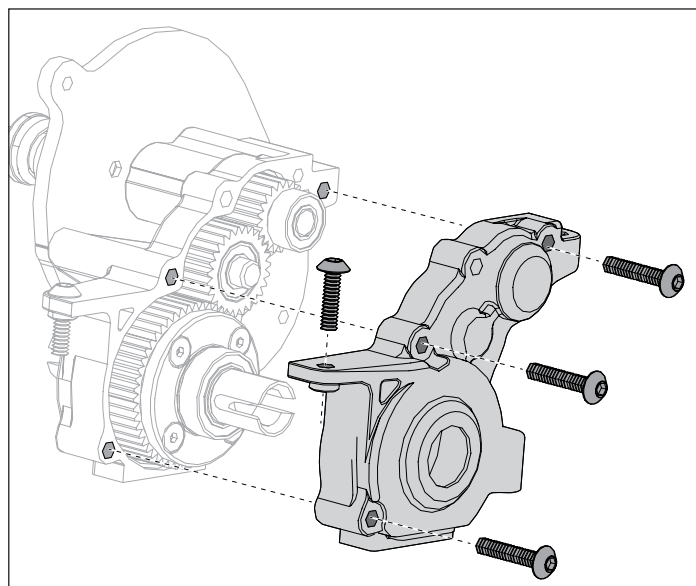
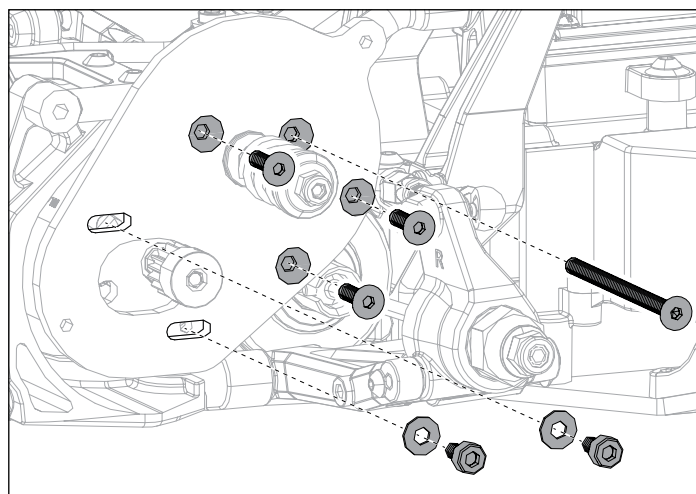
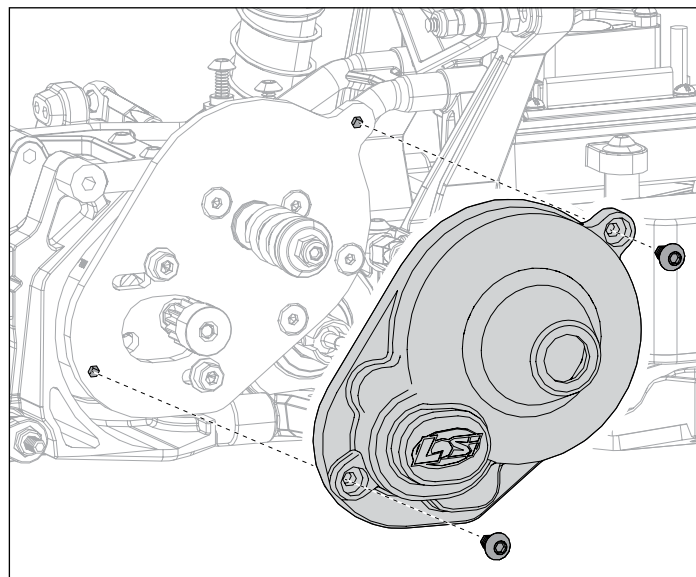
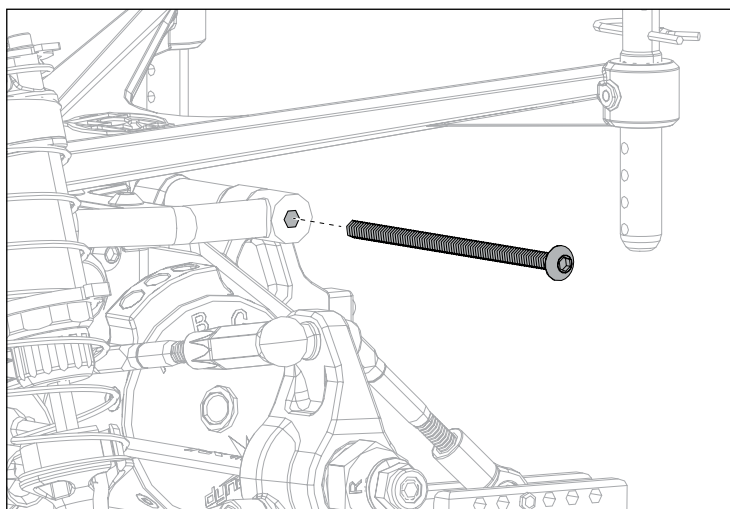
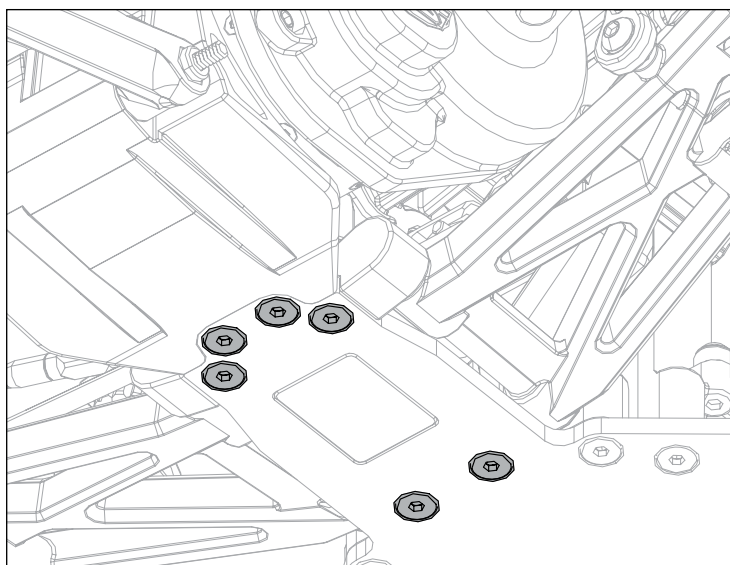
PINCEMENT



OUVERTURE

RETRAIT DU DIFFÉRENTIEL ARRIÈRE

1. Pour retirer le différentiel arrière, commencez par retirer les deux (2) pneus arrière à l'aide d'un tournevis à écrou de 7 mm.
2. Retirez les deux (2) bras de carrossage arrière.
3. À l'aide d'une clé Allen de 2,0 mm, retirez les six (6) vis qui fixent la transmission et la protection moteur arrière au châssis en aluminium.
4. À l'aide d'une clé Allen de 2,0 mm, retirez le point de fixation supérieur de la barre de cabré.
5. Retirez le montage de carrosserie arrière.
6. Retirez les quatre (4) vis qui fixent la transmission au châssis, puis retirez la protection moteur et la barre de cabré.
7. Retirez le cache de l'engrenage, l'engrenage cylindrique et les plaques de sabot sur le côté gauche du châssis.
8. Débranchez les trois fils du moteur sans balais du variateur ESC.
9. Retirez le bloc pivot arrière et les bras arrière.
10. Retirez la vis traversante de la transmission et sortez la transmission du châssis en la faisant glisser (soulevez-la vers le haut puis vers l'arrière).
11. Utilisez une clé de 2,5 mm pour retirer le moteur de la transmission.
12. Retirez les trois (3) vis situées sur le côté gauche de la transmission et retirez le cache latéral.
13. Sortez le différentiel de la transmission en le faisant glisser.



PRÉCAUTIONS DE PILOTAGE

- Regardez toujours le modèle.
- Inspectez régulièrement le serrage des roues du véhicule.
- Inspectez régulièrement les éléments de la direction, le serrage des vis. Une conduite en tout-terrain peut causer le desserrage des fixations.
- Ne pilotez pas le véhicule dans de l'herbe haute. Vous risqueriez d'endommager le véhicule ou l'électronique.
- Stoppez la conduite du véhicule quand vous sentez une baisse de la puissance. Conduire le véhicule avec une batterie déchargée peut entraîner la mise hors tension du récepteur. Si le récepteur n'est plus alimenté, vous perdrez le contrôle de votre véhicule. Les dommages causés par une batterie Li-Po déchargée ne sont pas couverts par la garantie.

ATTENTION : Ne déchargez pas une batterie Li-Po en dessous de 3V par élément. Les batteries qui sont déchargées en dessous de la tension minimale approuvée seront endommagées, résultant en une perte de performances et un risque potentiel d'incendie lors de la charge suivante.

- N'appliquez pas la marche avant ou arrière si le véhicule est bloqué. Vous risqueriez d'endommager le moteur ou le contrôleur.
- Après avoir piloté le véhicule, laissez l'électronique refroidir avant de piloter une nouvelle fois.

IMPORTANT : Maintenez les câbles à l'écart des pièces en mouvement.

MISE SOUS TENSION DU VÉHICULE

1. Placez les potentiomètres ST TRIM et TH TRIM de l'émetteur au neutre.
2. Mettez l'émetteur sous tension.
3. Connectez une batterie entièrement chargée au contrôleur.
4. Mettez le contrôleur sous tension.

IMPORTANT : Le véhicule DOIT rester immobile sur surface plane et de niveau pendant au moins 5 secondes.

AVANT DE FAIRE ROULER VOTRE VÉHICULE

1. Contrôlez le libre mouvement de la suspension. Tous les bras de suspension ainsi que les composants de direction doivent pivoter librement.

Conseil : Pour augmenter la hauteur de caisse et la garde au sol de votre véhicule, installez les entretoises d'amortisseurs fournies.

2. Chargez la batterie. Chargez toujours la batterie en respectant les consignes données par le fabricant de la batterie et du chargeur.
3. Ajustez sur l'émetteur le trim de la direction. Suivez les instructions pour régler le trim/sub-trim de façon que le véhicule roule droit quand le volant n'est pas actionné.
4. Effectuez un test de direction.

AUTONOMIE

Le facteur le plus influant sur l'autonomie est la capacité de la batterie. Une capacité supérieure augmentera l'autonomie.

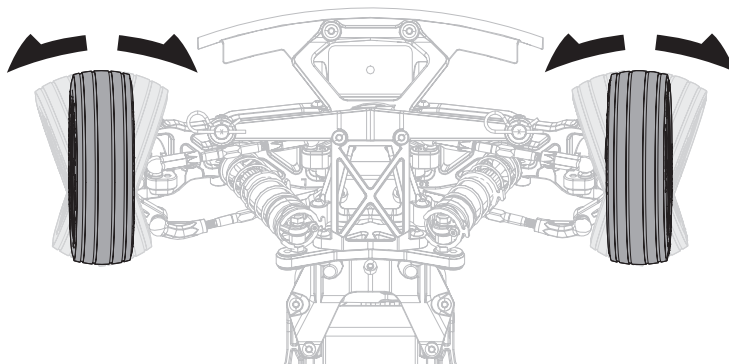
L'état de la batterie est aussi un facteur très important pour l'autonomie et la vitesse. Les prises de la batterie peuvent chauffer durant l'utilisation. Les batteries perdent en performances et capacité au fil du temps.

Passer le véhicule de l'arrêt à pleine vitesse de façon répétée finira par endommager la batterie et l'électronique. Les accélérations brutales réduisent l'autonomie.

POUR AMÉLIORER L'AUTONOMIE

- Ayez toujours un véhicule entretenu et propre.
- Optimisez le refroidissement du contrôleur et du moteur.
- Changez votre rapport de transmission pour une réduction plus importante. Une réduction plus importante diminuera la température de fonctionnement de l'électronique. Utilisez un pignon plus petit ou une couronne plus grande pour obtenir une réduction plus importante.
- Utilisez une batterie avec une capacité plus élevée.
- Utilisez le chargeur optimum pour effectuer la recharge des batteries.

TEST DE DIRECTION



Effectuez un test des commandes en plaçant les roues du véhicule hors du sol. Si les roues se mettent à tourner après la mise sous tension du véhicule, ajustez le potentiomètre TH Trim jusqu'à obtenir l'arrêt de la rotation des roues. Pressez la gâchette pour faire tourner les roues en avant. Pour inverser leur rotation, attendez que leur rotation s'arrête, puis poussez la gâchette. Quand les roues tournent en marche avant, elles doivent rester parfaitement droites sans devoir corriger l'angle à l'aide du volant. Si ce n'est pas le cas, ajustez le trim ST Trim pour obtenir un trajectoire rectiligne sans agir sur le volant.

GUIDE DE DÉPANNAGE

PROBLÈME	CAUSE POSSIBLE	SOLUTION
Le véhicule ne fonctionne pas	Batterie déchargée ou débranchée	Chargez la batterie ou branchez la
	L'interrupteur du contrôleur n'est pas en position "ON"	Mettez l'interrupteur sur "ON"
	L'émetteur n'est pas sous tension ou la batterie est faible	Mettez l'émetteur sous tension ou chargez la batterie
Le moteur tourne mais les roues ne sont pas entraînées	Le pignon n'entraîne pas la couronne	Réglez l'entre-dents
	Le pignon tourne sur l'axe moteur	Resserrez le vis du pignon sur le méplat de l'axe moteur
	Dents de pignons abîmées	Remplacez les pignons
	Goupille cassée	Contrôlez et remplacez la goupille
La direction ne fonctionne pas	Le servo n'est pas correctement branché	Vérifiez que la prise du servo est bien connectée à la voie de direction, et que la polarité est correcte
	Le moteur ou les pignons du servo sont endommagés	Remplacez ou réparez le servo
Ne tourne que dans une direction	Les pignons du servo sont endommagés	Remplacez ou réparez le servo
Le moteur ne fonctionne pas	Un câble du moteur est dessoudé	Ressoudez le câble à l'aide de matériel adapté
	Un câble est endommagé	Réparez ou remplacez le câble
	Le contrôleur est endommagé	Contactez le service client Horizon Hobby
	La tension de la batterie est faible	Vérifiez la tension de la batterie et chargez-la si nécessaire
Le contrôleur chauffe	Le rapport de transmission n'est pas adapté	Utilisez un pignon plus petit ou une couronne plus grande
	Transmission non libre	Contrôlez la transmission afin de trouver la cause du blocage
Faible autonomie	La batterie n'est pas totalement chargée	Rechargez la batterie
	Le chargeur n'effectue pas la charge complète	Utilisez un autre chargeur
	Transmission non libre	Contrôlez la transmission afin de trouver la cause du blocage

GARANTIE ET RÉPARATIONS

Durée de la garantie

Garantie exclusive – Horizon Hobby, LLC (Horizon) garantit que le Produit acheté (le « Produit ») sera exempt de défauts matériels et de fabrication à sa date d'achat par l'Acheteur. La durée de garantie correspond aux dispositions légales du pays dans lequel le produit a été acquis. La durée de garantie est de 6 mois et la durée d'obligation de garantie de 18 mois à l'expiration de la période de garantie.

Limitations de la garantie

(a) La garantie est donnée à l'acheteur initial (« Acheteur ») et n'est pas transférable. Le recours de l'acheteur consiste en la réparation ou en l'échange dans le cadre de cette garantie. La garantie s'applique uniquement aux produits achetés chez un revendeur Horizon agréé. Les ventes faites à des tiers ne sont pas couvertes par cette garantie. Les revendications en garantie seront acceptées sur fourniture d'une preuve d'achat valide uniquement. Horizon se réserve le droit de modifier les dispositions de la présente garantie sans avis préalable et révoque alors les dispositions de garantie existantes.

(b) Horizon n'endosse aucune garantie quant à la vendabilité du produit ou aux capacités et à la forme physique de l'utilisateur pour une utilisation donnée du produit. Il est de la seule responsabilité de l'acheteur de vérifier si le produit correspond à ses capacités et à l'utilisation prévue.

(c) Recours de l'acheteur – Il est de la seule discrétion d'Horizon de déterminer si un produit présentant un cas de garantie sera réparé ou échangé. Ce sont là les recours exclusifs de l'acheteur lorsqu'un défaut est constaté.

Horizon se réserve la possibilité de vérifier tous les éléments utilisés et susceptibles d'être intégrés dans le cas de garantie. La décision de réparer ou de remplacer le produit est du seul ressort d'Horizon. La garantie exclut les défauts esthétiques ou les défauts provoqués par des cas de force majeure, une manipulation incorrecte du produit, une utilisation incorrecte ou commerciale de ce dernier ou encore des modifications de quelque nature qu'elles soient. La garantie ne couvre pas les dégâts résultant d'un montage ou d'une manipulation erronés, d'accidents ou encore du fonctionnement ainsi que des tentatives d'entretien ou de réparation non effectuées par Horizon. Les retours effectués par le fait de l'acheteur directement à Horizon ou à l'une de ses représentations nationales requièrent une confirmation écrite.

Limitation des dommages

Horizon ne saurait être tenu pour responsable de dommages conséquents directs ou indirects, de pertes de revenus ou de pertes commerciales, liés de quelque manière que ce soit au produit et ce, indépendamment du fait qu'un recours puisse être formulé en relation avec un contrat, la garantie ou l'obligation de garantie. Par ailleurs, Horizon n'acceptera pas de recours issus d'un cas de garantie lorsque ces recours dépassent la valeur unitaire du produit. Horizon n'exerce aucune influence sur le montage, l'utilisation ou la maintenance du produit ou sur d'éventuelles combinaisons de produits choisis par l'acheteur. Horizon ne prend en compte aucune garantie et n'accepte aucun recours pour les blessures ou les dommages pouvant en résulter. Horizon Hobby ne saurait être tenu responsable d'une utilisation ne respectant pas les lois, les règles ou réglementations en vigueur. En utilisant et en montant le produit, l'acheteur accepte sans restriction ni réserve toutes les dispositions relatives à la garantie figurant dans le présent document. Si vous n'êtes pas prêt, en tant qu'acheteur, à accepter ces dispositions en relation avec l'utilisation du produit, nous vous demandons de restituer au vendeur le produit complet, non utilisé et dans son emballage d'origine.

Indications relatives à la sécurité

Ceci est un produit de loisirs perfectionné et non un jouet. Il doit être utilisé avec précaution et bon sens et nécessite quelques aptitudes mécaniques ainsi que mentales. L'incapacité à utiliser le produit de manière sûre et raisonnable peut provoquer des blessures et des dégâts matériels conséquents. Ce produit n'est pas destiné à être utilisé par des enfants sans la surveillance par un tuteur. La notice d'utilisation contient des indications relatives à la sécurité ainsi que des indications concernant la maintenance et le fonctionnement du produit. Il est absolument indispensable de lire et de comprendre ces indications avant la première mise en service. C'est uniquement ainsi qu'il sera possible d'éviter une manipulation erronée et des accidents entraînant des blessures et des dégâts. Horizon Hobby ne saurait être tenu responsable d'une utilisation ne respectant pas les lois, les règles ou réglementations en vigueur.

Questions, assistance et réparations

Votre revendeur spécialisé local et le point de vente ne peuvent effectuer une estimation d'éligibilité à l'application de la garantie sans avoir consulté Horizon. Cela vaut également pour les réparations sous garantie. Vous voudrez bien, dans un tel cas, contacter le revendeur qui conviendra avec Horizon d'une décision appropriée, destinée à vous aider le plus rapidement possible.

Maintenance et réparation

Si votre produit doit faire l'objet d'une maintenance ou d'une réparation, adressez-vous soit à votre revendeur spécialisé, soit directement à Horizon. Emballez le produit soigneusement. Veuillez noter que le carton d'emballage d'origine ne suffit pas, en règle générale, à protéger le produit des dégâts pouvant survenir pendant le transport. Faites appel à un service de messagerie proposant une fonction de suivi et une assurance, puisque Horizon ne prend aucune responsabilité pour l'expédition du produit jusqu'à sa réception acceptée. Veuillez joindre une preuve d'achat, une description détaillée des défauts ainsi qu'une liste de tous les éléments distincts envoyés. Nous avons de plus besoin d'une adresse complète, d'un numéro de téléphone (pour demander des renseignements) et d'une adresse de courriel.

Garantie et réparations

Les demandes en garantie seront uniquement traitées en présence d'une preuve d'achat originale émanant d'un revendeur spécialisé agréé, sur laquelle figurent le nom de l'acheteur ainsi que la date d'achat. Si le cas de garantie est confirmé, le produit sera réparé. Cette décision relève uniquement de Horizon Hobby.

Réparations payantes

En cas de réparation payante, nous établissons un devis que nous transmettons à votre revendeur. La réparation sera seulement effectuée après que nous ayons reçu la confirmation du revendeur. Le prix de la réparation devra être acquitté au revendeur. Pour les réparations payantes, nous facturons au minimum 30 minutes de travail en atelier ainsi que les frais de réexpédition. En l'absence d'un accord pour la réparation dans un délai de 90 jours, nous nous réservons la possibilité de détruire le produit ou de l'utiliser autrement.

ATTENTION : nous n'effectuons de réparations payantes que pour les composants électroniques et les moteurs. Les réparations touchant à la mécanique, en particulier celles des hélicoptères et des voitures radiocommandées, sont extrêmement coûteuses et doivent par conséquent être effectuées par l'acheteur lui-même.

10/15

COORDONNÉES DE GARANTIE ET RÉPARATIONS

Pays d'achat	Horizon Hobby	Numéro de téléphone/E-mail	Adresse
Union européenne	Horizon Technischer Service	service@horizonhobby.de +49 (0) 4121 2655 100	Hanskampring 9 D 22885 Barsbüttel, Germany
	Sales: Horizon Hobby GmbH		

INFORMATIONS DE CONFORMITÉ POUR L'UNION EUROPÉENNE

Fabricant officiel de l'UE :

Horizon Hobby, LLC
2904 Research Road
Champaign, IL 61822 USA

Importateur officiel de l'UE :

Horizon Hobby, GmbH
Hanskampring 9
22885 Barsbüttel Germany

DIRECTIVE DEEE :



L'étiquette de cet appareil respecte la directive européenne 2012/19/UE en matière de déchets des équipements électriques et électroniques (DEEE). Cette étiquette indique que ce produit ne doit pas être jeté avec les déchets ménagers, mais déposé dans une installation appropriée afin de permettre sa récupération et son recyclage.

AVVISO

Tutte le istruzioni, le garanzie e gli altri documenti pertinenti sono soggetti a cambiamenti a totale discrezione di Horizon Hobby, LLC. Per una documentazione aggiornata sul prodotto, visitare il sito horizonhobby.com o towerhobbies.com e fare clic sulla sezione Support del prodotto.

CONVENZIONI TERMINOLOGICHE

Nella documentazione relativa al prodotto vengono utilizzati i seguenti termini per indicare i vari livelli di pericolo potenziale durante l'uso del prodotto:

AVVERTENZA: Indica procedure che, se non debitamente seguite, determinano il rischio di danni alle cose, danni collaterali e gravi lesioni alle persone o il rischio elevato di lesioni superficiali alle persone.

ATTENZIONE: Indica procedure che, se non debitamente seguite, determinano il rischio di danni alle cose e di gravi lesioni alle persone.

AVVISO: Indica procedure che, se non debitamente seguite, possono determinare il rischio di danni alle cose e il rischio minimo o nullo di lesioni alle persone.

AVVERTENZA: leggere TUTTO il manuale di istruzioni e familiarizzare con le caratteristiche del prodotto prima di farlo funzionare. Un uso improprio del prodotto può causare danni al prodotto stesso e alle altre cose e gravi lesioni alle persone.

Questo modello è un prodotto sofisticato per appassionati di modellismo. Deve essere azionato in maniera attenta e responsabile e richiede alcune conoscenze basilari di meccanica. L'uso improprio o irresponsabile di questo prodotto può causare lesioni alle persone e danni al prodotto stesso o alle altre cose. Questo prodotto non deve essere utilizzato dai bambini senza la diretta supervisione di un adulto. Non tentare di smontare, utilizzare componenti incompatibili o modificare il prodotto in nessun caso senza previa approvazione di Horizon Hobby, LLC. Questo manuale contiene le istruzioni per la sicurezza, l'uso e la manutenzione del prodotto. È fondamentale leggere e seguire tutte le istruzioni e le avvertenze del manuale prima di montare, impostare o utilizzare il prodotto, al fine di utilizzarlo correttamente e di evitare di causare danni alle cose o gravi lesioni alle persone.

AVVERTENZA CONTRO PRODOTTI CONTRAFFATTI Acquistate sempre da rivenditori autorizzati Horizon Hobby per essere certi di avere prodotti originali Spektrum di alta qualità. Horizon Hobby rifiuta qualsiasi supporto o garanzia riguardo, ma non limitato a, compatibilità e prestazioni di prodotti contraffatti o che dichiarano compatibilità con DSM o Spektrum.

Età consigliata: almeno 14 anni. Questo non è un giocattolo.

PRECAUZIONI E AVVERTENZE SULLA SICUREZZA

In quanto utilizzatore di questo prodotto, voi siete gli unici responsabili per una condotta che non costituisca pericolo per voi e gli altri, e che possa causare danni al modello o ad altre proprietà. Questo modello è controllato da un segnale radio potenzialmente soggetto a interferenze da molte fonti che non potete controllare. Queste interferenze possono generare momentanee perdite di controllo del modello, quindi è consigliabile mantenere sempre una certa distanza di sicurezza in ogni direzione, poiché questo può aiutare ad evitare urti o infortuni.

- Non utilizzare mai il modello con batterie scariche.
- Utilizzate sempre il modello in zone ampie, sgombre da persone, macchine e traffico.
- Non utilizzate mai il modello in strade aperte al traffico o in luoghi affollati.
- Seguite attentamente le avvertenze d'uso di questo modello e di ogni altro accessorio (caricabatterie, batterie ricaricabili ecc.).
- Tenete qualsiasi prodotto chimico o elettrico al di fuori della portata dei bambini.

- Non leccate o ingerite alcun pezzo del modello perché questo può causare infortuni seri, o addirittura la morte.
- Utilizzate sempre con attenzione attrezzi e oggetti affilati.
- Prestare attenzione durante la costruzione perché alcune parti potrebbero avere degli spigoli vivi.
- Subito dopo l'uso NON toccate componenti del modello quali motore, variatore elettronico o la batteria, perché si scaldano molto durante il funzionamento. Toccandoli potreste scottarvi.
- Non infilate le dita tra gli ingranaggi del modello o altre parti in rotazione o movimento, poiché questo può causare danni o infortuni gravi.
- Accendete sempre prima la trasmittente e poi la ricevente sul modello. Invece spegnete sempre prima la ricevente e poi la trasmittente.
- Sollevate le ruote del modello da terra quando controllate il corretto funzionamento dell'apparato radio.

INDICE

CONTENUTO.....	242	PRECAUZIONI NELLA GUIDA.....	28
AVVIO RAPIDO.....	24	ACCENSIONE DEL VEICOLO.....	28
INSTALLARE IL MOTORE.....	24	PRIMA DI USARE IL VEICOLO.....	28
REGOLARE IL GIOCO DELL'INGRANAGGIO.....	24	TEMPO DI UTILIZZO.....	28
INSTALLARE IL SERVO.....	24	PER MIGLIORARE LA DURATA DI FUNZIONAMENTO.....	28
INSTALLARE L'ESC.....	25	ESEGUIRE UN CONTROLLO DELLA DIREZIONE DEI COMANDI.....	28
INSTALLARE IL RICEVITORE.....	25	GUIDA ALLA RISOLUZIONE DEI PROBLEMI.....	28
METTERE LA BATTERIA.....	26	GARANZIA.....	29
REGOLAZIONE DELLA WHEELIE BAR.....	26	GARANZIA E ASSISTENZA INFORMAZIONI PER I CONTATTI.....	29
REGOLAZIONE RAPIDA.....	26	DICHIARAZIONE DI CONFORMITÀ EU.....	29
REGOLAZIONE DI PRECISIONE.....	26	VISTA ESPLOSA DELLE PARTI.....	29-33
REGOLAZIONE DELLA CAMPANATURA.....	26	ELENCO DEI RICAMBI.....	34-35
REGOLAZIONE DELLA CONVERGENZA.....	26	PEZZI RACCOMANDATI.....	35
RIMOZIONE DEL DIFFERENZIALE POSTERIORE.....	27	PARTI OPZIONALI.....	36-37

CONTENUTO

INCLUSO	COMPONENTI NECESSARI	COMPONENTI NECESSARI	NUMERO PARTE	UTENSILI NECESSARI
Losi® Brushless 225 No Prep Drag Roller	Sistema di radiocomando 2 canali	Solo TX 5 canali Spektrum DX5C DSMR, Ricevitore SR315	SPM5115 SPMSR315	Cacciavite esagonale da 1,5mm
	Servo sterzo a coppia elevata	Spektrum 6KG Waterproof Servo	SPMS606	Cacciavite esagonale da 2,0mm
	ESC	ESC Smart Spektrum Firma 100 A	SPMXSE1100	Cacciavite esagonale da 2,5mm
	Motore	Spektrum 3652 4-Pole Brushless Motor 6500Kv	SPMXSM2800	Chiave per dado da 5,5mm
	Pignone	16T	Elenco componenti	Chiave per dado da 7,0mm
	Batteria LiPo rigida 2S	50C or Higher Spektrum 2S Smart Hardcase LiPo with IC5	SPMX50002S100H5	
	Caricabatterie	Spektrum SMART S1200 DC Charger, 1x200W	SPMXC1000	

AVVIO RAPIDO

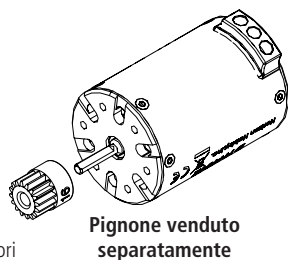
Si prega di leggere tutto il manuale per conoscere completamente il veicolo 22S Roller per poterlo mettere a punto e fargli la manutenzione.

1. Leggere le precauzioni di sicurezza riportate nel presente manuale.
2. Installare il motore, il ricevitore, l'ESC e il servo dello sterzo.*
3. Collegare il rinvio dello sterzo al salvasterzo.
4. Instradare i fili di servo ed ESC e collegarli al ricevitore.
5. Caricare una batteria* per il veicolo. Fare riferimento al manuale del caricabatterie per importanti avvertenze di carica e per le istruzioni per il caricamento della batteria.
6. Installare sul veicolo una batteria completamente carica.
7. Completare il binding tra ricevitore e trasmettente. Verificare che i comandi siano centrati.
8. Montare il salvaservo sul servo con lo sterzo centrato.
9. Regolare la direzione del servo e la corsa come necessario nella trasmittente.
10. Calibrare l'ESC.
11. Installare la copertura sul ricevitore.
12. Controllare le direzioni di sterzo e di comando della manetta. Invertire il servo nella trasmittente se lo sterzo è invertito. Invertire il motore con i collegamenti di fili o impostazioni ESC se la manetta è all'indietro.
13. Installare le ruote.
14. Azionare il veicolo.
15. Scollegare la batteria dopo l'azionamento.

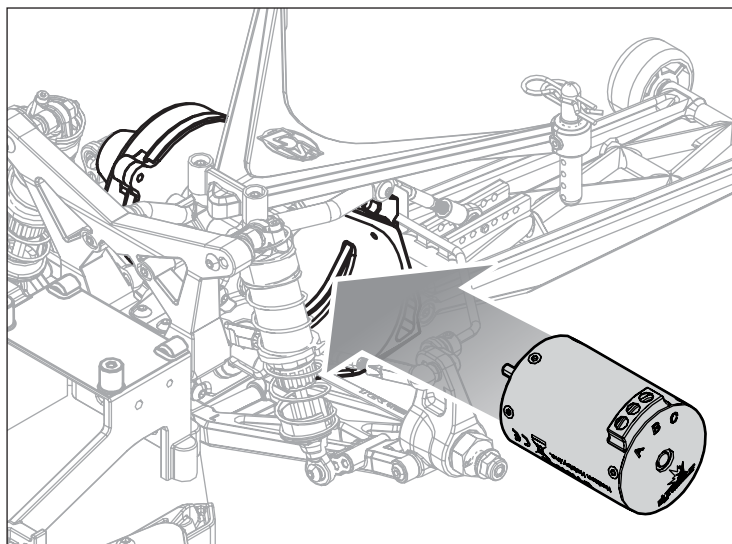
*Elettronica non inclusa

INSTALLARE IL MOTORE

1. Installare l'ingranaggio del pignone sul motore. Montare il pignone all'estremità dell'albero motore in modo che il grano sia posizionato in corrispondenza della parte piatta dell'albero.
2. Posizionare il pignone in modo che i suoi denti siano allineati con quelli della corona, quindi fissare il pignone stringendo il grano.
3. Installare il motore. Due fessure si allineeranno con i fori di montaggio del motore. Scorrere il motore in avanti o indietro per ottenere un gioco ingranaggio corretto.



ATTENZIONE: è importante impostare correttamente il gioco dell'ingranaggio. Altrimenti vi è il rischio di danni agli ingranaggi.

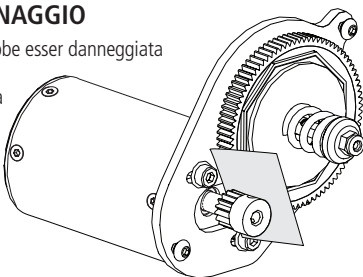


4. Installare il coperchio della scatola degli ingranaggi.

REGOLARE IL GIOCO DELL'INGRANAGGIO

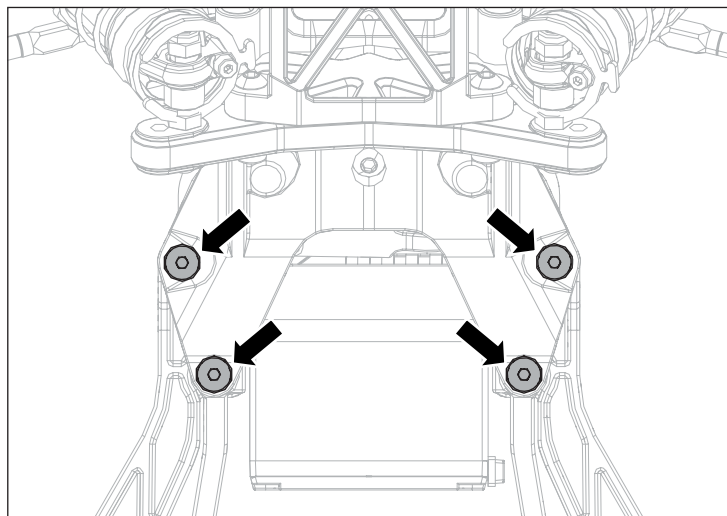
Quando il gioco è troppo ampio, la corona potrebbe esser danneggiata dal pignone montato sul motore. Se il gioco fosse troppo stretto, la velocità potrebbe essere limitata e sia il motore che l'ESC si surriscaldano.

1. Tirare indietro il motore allentando le sue viti.
2. Mettere un piccolo pezzo di carta tra i denti del pignone e quelli della corona.
3. Avvicinare gli ingranaggi e stringere le viti del motore.
4. Togliere la carta. Controllare il gioco in 3-5 punti differenti sulla corona muovendo leggermente gli ingranaggi.

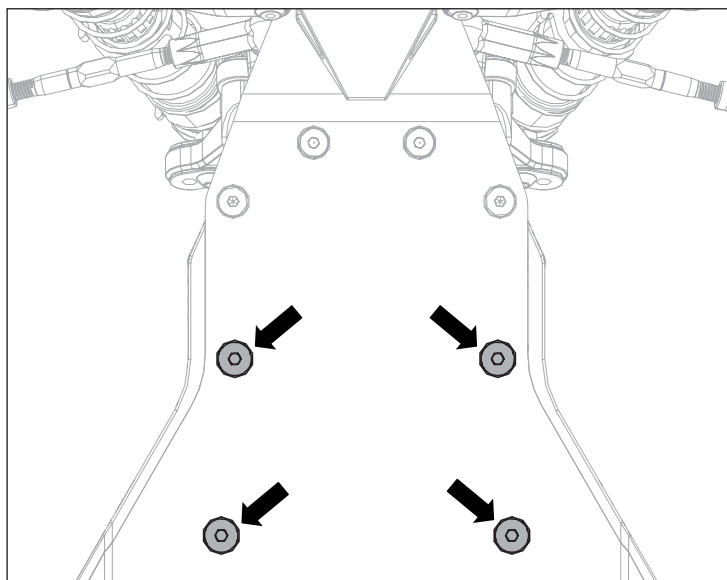


INSTALLARE IL SERVO

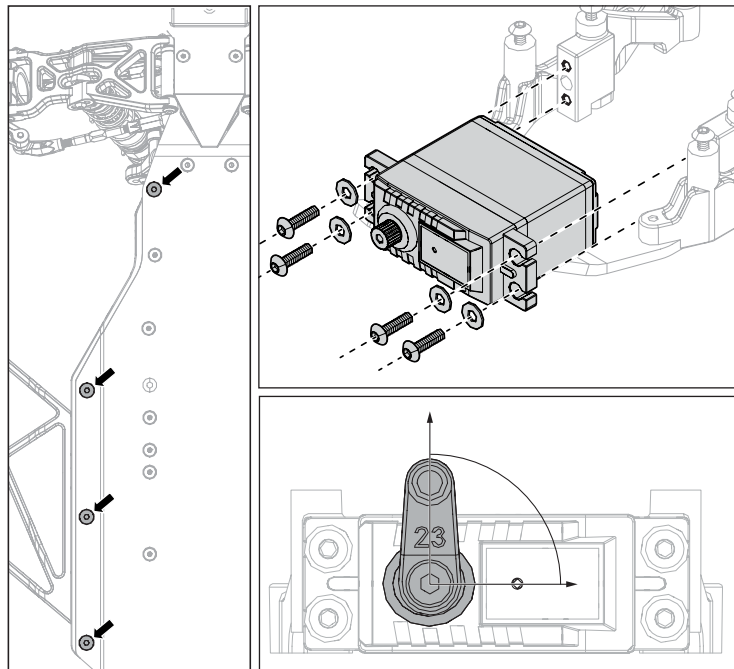
1. Con una Cacciavite esagonale da 2 mm, rimuovere le quattro (4) viti sulla parte superiore del supporto anteriore.



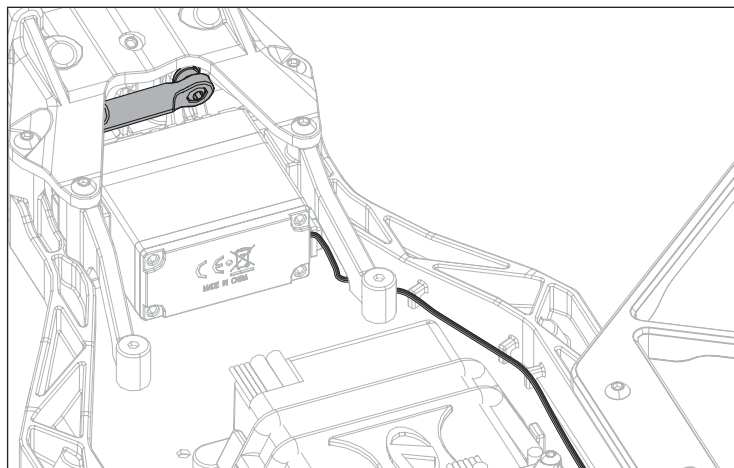
2. Rimuovere le quattro (4) viti che fissano la staffa di montaggio del servo al telaio.



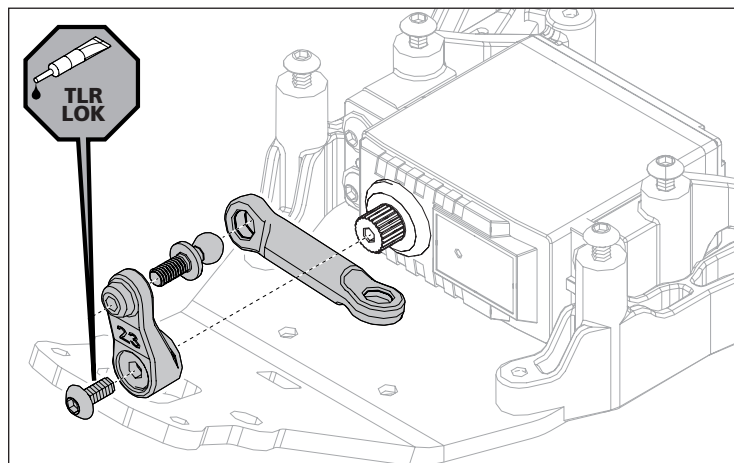
3. Rimuovere le quattro (4) viti che trattengono il parafango destro.
4. Rimuovere le staffe del servo dal telaio e montare il servo con l'albero di uscita verso il lato destro del telaio.
5. Rimuovere la squadretta del servo dal tirante di sterzo.



6. Centrare il servo dello sterzo inserendo il servo nel ricevitore, oppure usare un tester per servo. Montare la squadretta del servo in modo che la sfera sia a 90°.
- NOTA:** prima di installare la squadretta del servo, verificare che il trim del servo della trasmissione sia centrato.
7. Far scorrere il servo in posizione sul telaio e fissare il gruppo al telaio senza serrare usando le due (2) viti posteriori.
 8. Far passare il filo del servo lungo il parafango destro usando i ganci in dotazione per guidare il filo alla scatola del ricevitore. Poi fissate il parafango usando le quattro (4) viti da sotto.
 9. Rimontare tutte le viti precedentemente rimosse durante lo smontaggio.

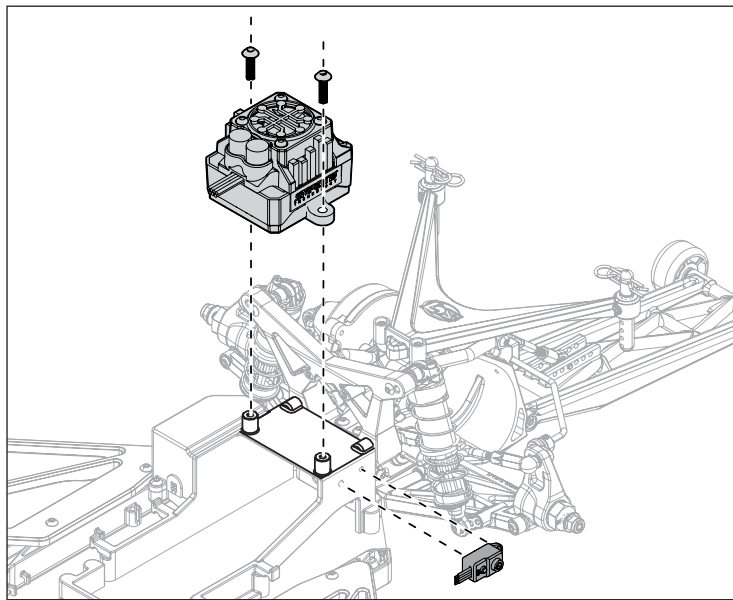


10. Fissare il tirante di sterzo alla sfera della squadretta del servo per completare il montaggio del servo.



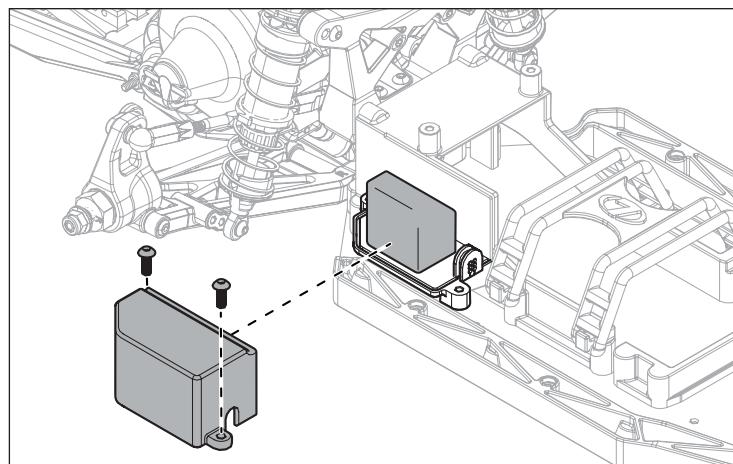
INSTALLARE L'ESC

1. Installare l'ESC. Collegare i fili del motore all'ESC. Fare riferimento al manuale dell'ESC per maggiori informazioni.
2. Far passare il filo della manetta nella scatola ricevitore.
3. Se si pianifica di alimentare eventuali opzioni ausiliari come luci, far scorrere i fili nella scatola ricevitore.



INSTALLARE IL RICEVITORE

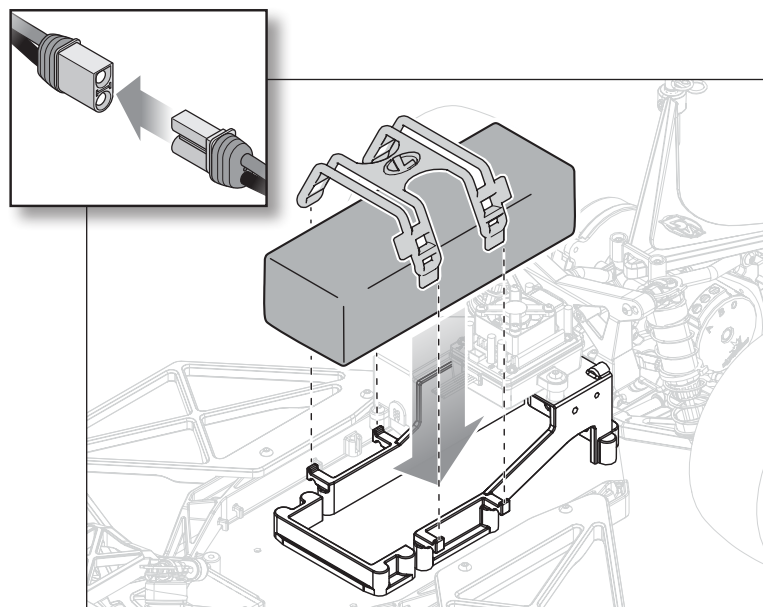
1. Rimuovere le due viti del coperchio della scatola del ricevitore e fissare il ricevitore con nastro biadesivo o a strappo.



2. Inserire i connettori servo e l'ESC nelle porte appropriate sul ricevitore.
3. Collegare il rinvio dello sterzo al risparmio sterzo (non ancora collegato al servo).
4. Verificare che il servo dello sterzo sia centrato e si sposti nella direzione corretta.
5. Con i leveraggi di sterzo centrati, collegare il salvaservo al servo e installare la vite inclusa.
6. Controllare la direzione di sterzo, la corsa e la regolazione del punto centrale con le impostazioni della trasmittente. Consultare il manuale della trasmittente per maggiori informazioni.

METTERE LA BATTERIA

1. Accertarsi che l'ESC sia spento.
2. Rimuovere un lato della fascia in elastomero dai poli della batteria.
3. Far scivolare una batteria completamente carica attraverso la parte anteriore del veicolo fino a quando la batteria non cade in posizione.
4. Tornare a fissare le fasce in elastomero ai poli della batteria.
5. Collegare la batteria all'ESC, facendo attenzione alla polarità corretta.
6. Accendere la trasmittente e poi il veicolo.

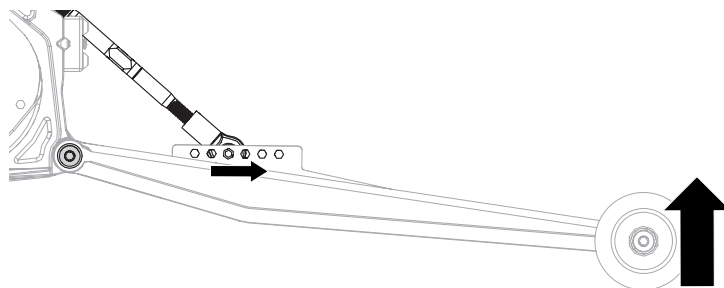


REGOLAZIONE DELLA WHEELIE BAR

La wheelie bar della drag car Losi 22S è progettata per fornire una regolazione ottimale. Le opzioni di regolazione dell'altezza sono due, una di maggiore precisione, l'altra semplificata.

REGOLAZIONE RAPIDA

1. Spostare il punto di attacco inferiore del tenditore in avanti o all'indietro per regolare la wheelie bar all'altezza desiderata.
2. Spostare il punto di attacco all'indietro per sollevare la wheelie bar e fornire maggiore supporto al retro della barra.



REGOLAZIONE DI PRECISIONE

Agire sul tenditore per ottenere una regolazione fine dell'altezza della wheelie bar, regolando con precisione l'altezza da terra delle ruote.

CONSIGLIO: regolare le ruote della wheelie bar a circa 120 mm da terra assicura distanza libera adeguata e trazione in piena accelerazione per le ruote posteriori.

REGOLAZIONE DELLA CAMPANATURA

La campanatura, detta anche camberaggio, è la misura dell'angolo compreso tra la verticale e il piano di mezzeria della ruota.

Se la parte superiore pende in dentro, la campanatura è negativa; se pende in fuori, la campanatura è positiva.

Quando il veicolo affronta una curva, il telaio è soggetto a rollio. Il rollio del telaio porta le ruote a pendere verso la curva, riducendo così la superficie delle gomme a contatto col suolo (con 0° di campanatura). Per compensare, il modello viene regolato in fabbrica con alcuni gradi di campanatura negativa.

Effetti della campanatura anteriore: una campanatura negativa compresa all'incirca tra -1 e -2° assicura un contatto col suolo ottimale e adeguata trazione sull'anteriore. Aumentare ulteriore la campanatura riduce la trazione in curva. Se lo sterzo sembra lasco, ridurre la campanatura di un grado.

Effetti della campanatura posteriore: la campanatura influisce in due modi sulle sospensioni posteriori. In rettilineo, l'accelerazione massima si ottiene con 0° di campanatura. Aumentare la campanatura riduce la trazione in avanti, ma migliora la stabilità in sterzata. Se il veicolo non si mantiene dritto, aumentare la campanatura posteriore per mantenerlo in traiettoria.

1. Per regolare la campanatura anteriore e posteriore, selezionare uno dei fori su entrambi i mozzi e sui blocchi camber. Il blocco camber posteriore è integrato nella torre dell'ammortizzatore.
2. Regolare il tenditore per ottenere una regolazione fine.

REGOLAZIONE DELLA CONVERGENZA

ANTERIORE

Applicare convergenza positiva migliora la sterzata in uscita di curva (apertura di gas) e trasmette una sensazione di maggior controllo sullo sterzo.

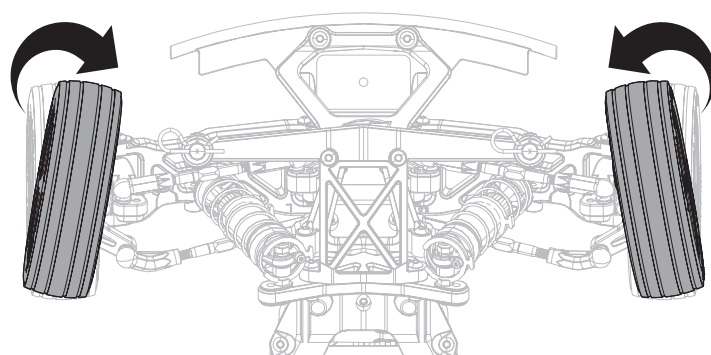
Applicare convergenza negativa riduce la sterzata in uscita di curva e trasmette la sensazione di una maggiore trazione sul retrotreno.

POSTERIORE

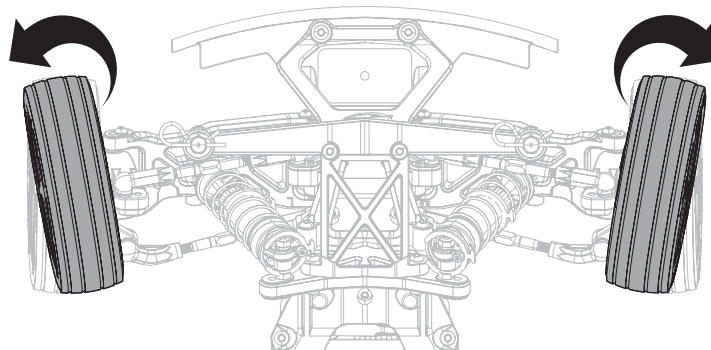
Più convergenza positiva: aumenta la trazione anteriore. Aumentare la convergenza positiva su superfici con minore trazione.

Meno convergenza positiva: riduce la trazione anteriore. Ridurre la convergenza positiva su superfici con maggiore trazione. Per regolare la convergenza posteriore:

La convergenza posteriore sul 22S Roller è fissata di serie a 3°. Regolare la convergenza posteriore con il set blocco pivot posteriore (LOS234048) che include blocchi pivot da 1,5, 3 e 4,5°.



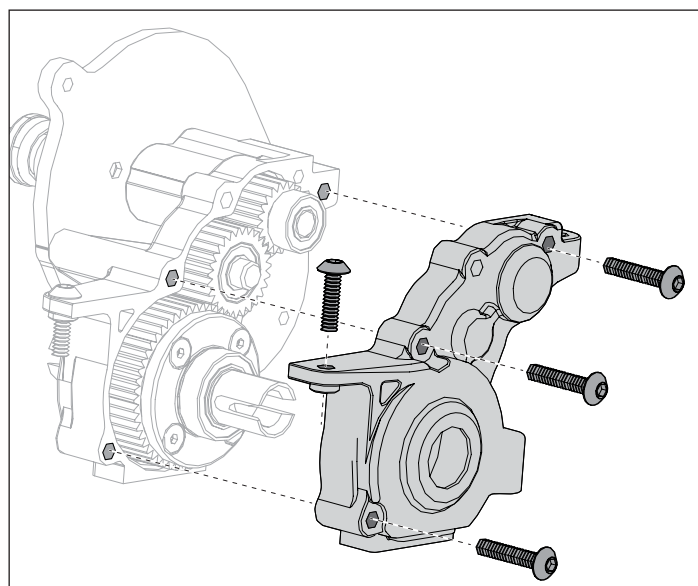
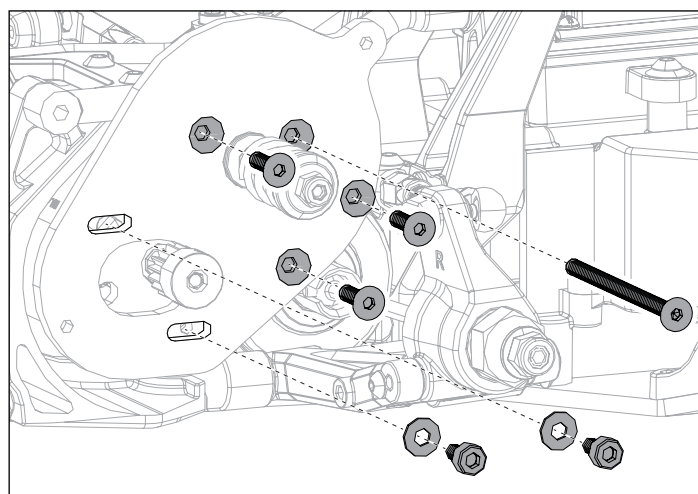
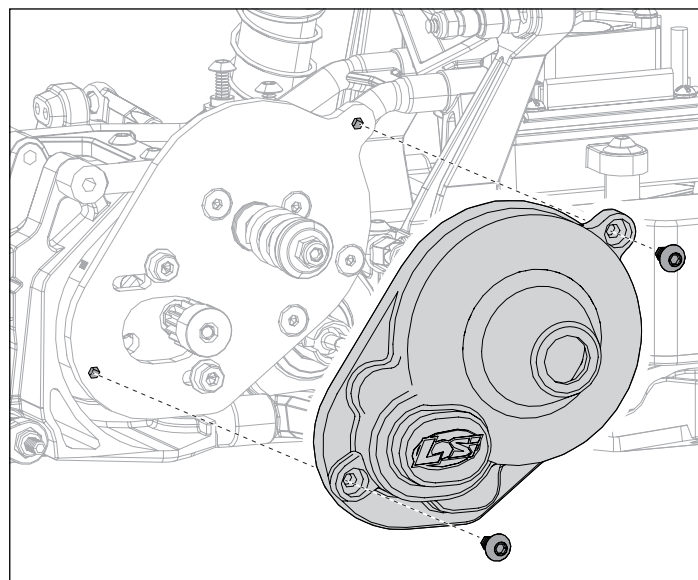
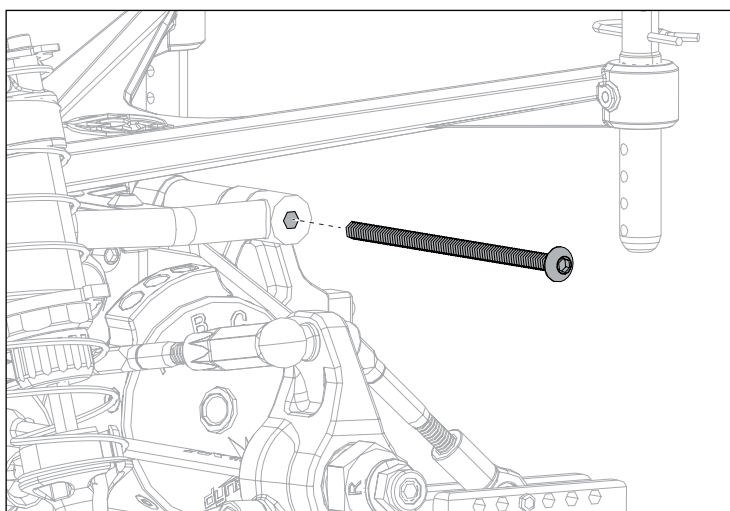
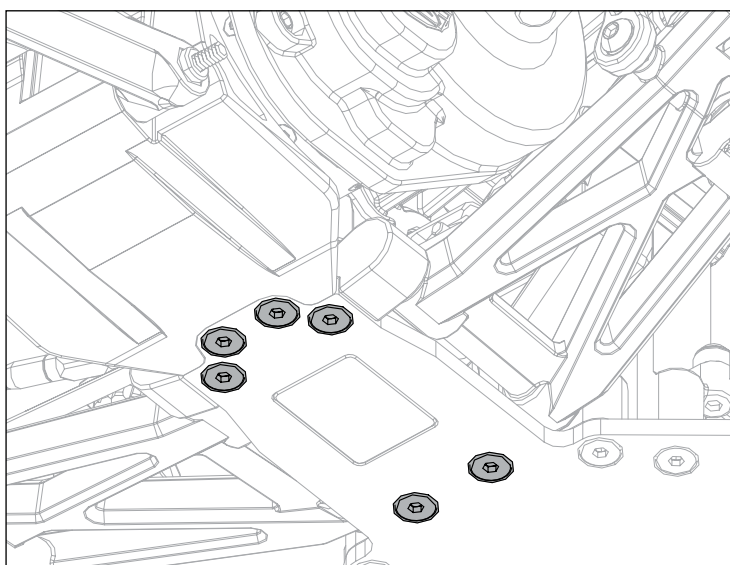
CONVERGENZA INTERNA



CONVERGENZA ESTERNA

RIMOZIONE DEL DIFFERENZIALE POSTERIORE

1. Rimuovere innanzitutto le due (2) ruote posteriori usando una chiave per dadi da 7 mm.
2. Rimuovere i due (2) braccetti camber posteriori.
3. Con una chiave esagonale da 2,0 mm, rimuovere le sei (6) viti che fissano la trasmissione e lo schermo posteriore del motore al telaio in alluminio.
4. Con una chiave esagonale da 2,0 mm, rimuovere il punto di attacco superiore della wheelie bar.
5. Rimuovere il supporto carrozzeria posteriore.
6. Rimuovere le quattro (4) viti che fissano la trasmissione al telaio, quindi rimuovere lo schermo del motore e la wheelie bar.
7. Rimuovere il coperchio dell'ingranaggio, l'ingranaggio cilindrico e i pattini di scorrimento sul lato sinistro del telaio.
8. Scollegare i tre fili del motore brushless dall'ESC.
9. Rimuovere il blocco pivot posteriore e i braccetti posteriori.
10. Rimuovere la vite passante della trasmissione ed estrarre la trasmissione dal telaio (sollevare ed estrarre).
11. Usare una chiave da 2,5 mm per rimuovere il motore dalla trasmissione.
12. Rimuovere le tre (3) viti sul lato sinistro della trasmissione e rimuovere il coperchio laterale.
13. Estrarre il differenziale dalla trasmissione.



PRECAUZIONI NELLA GUIDA

- Durante la guida mantenere sempre il veicolo bene in vista.
- Periodicamente ispezionare bene il veicolo per controllare eventuali viti allentate.
- Periodicamente ispezionare bene il gruppo dello sterzo per verificare i giochi. La guida in fuori strada è fonte di colpi e vibrazioni.
- Non mandare il veicolo nell'erba alta, perché si potrebbe danneggiare sia la parte meccanica che quella elettronica.
- Smettere di guidare quando si nota una diminuzione di potenza. Quando la batteria si scarica il ricevitore smette di funzionare e si perde il controllo del veicolo con possibili danni al veicolo stesso o alle cose e persone circostanti. Questo tipo di danni non è coperto dalla garanzia.

⚠ ATTENZIONE: Se non si utilizza questo prodotto con attenzione e non si osservano le seguenti avvertenze, potrebbero verificarsi malfunzionamenti, problemi elettrici, eccessivo sviluppo di calore, incendi e, in definitiva, lesioni e danni materiali.

PRIMA DI USARE IL VEICOLO

1. Verificare che tutto il sistema delle sospensioni si muova liberamente. Qualsiasi parte bloccata o frenata non permette al veicolo di dare le sue prestazioni migliori.
Consiglio: Per migliorare l'altezza libera dal suolo del vostro veicolo, installare i distanziali ammortizzatori inclusi. Il distanziale ammortizzatore è di 4mm. Potete aggiungere uno o due distanziali di misura media (2 mm) e/o piccola (1 mm) per aumentare l'altezza libera dal suolo del vostro veicolo.
2. Ricarica batteria. Caricare sempre la batteria come dalle istruzioni allegate alla batteria o al caricabatterie.
3. Settaggio del trim dello sterzo. Seguire le istruzioni su come settare il trim/subtrim, in modo che il vostro veicolo viaggi dritto senza dover agire sul radiocomando.
4. Eseguire un controllo della direzione dei comandi.

TEMPO DI UTILIZZO

Il fattore più importante nel tempo di funzionamento è la capacità della batteria; più sono i mAh contenuti, maggiore sarà il tempo di utilizzo per ogni carica.

Anche le condizioni di una batteria hanno influenza sia sulla durata che sulla velocità. I connettori della batteria potrebbero scaldarsi durante il funzionamento. Le batterie perdono le loro caratteristiche man mano che si usano.

Ripetute partenze da fermo con accelerazioni violente, nel tempo possono danneggiare sia la batteria che i componenti elettronici. Le forti accelerazioni riducono anche il tempo di utilizzo per ogni singola ricarica.

PER MIGLIORARE LA DURATA DI FUNZIONAMENTO

- Mantenere il veicolo sempre pulito e con una frequente manutenzione.
- Favorire il flusso dell'aria sull'ESC e sul motore.
- Cambiare gli ingranaggi per avere una riduzione più alta e diminuire le temperature delle parti elettroniche. Quindi usare un pignone più piccolo o una corona più grande per aumentare la riduzione.
- Usare una batteria con maggiore capacità in mAh.
- Usare un caricabatteria adatto alla batteria usata.

GUIDA ALLA RISOLUZIONE DEI PROBLEMI

PROBLEMA	POSSIBILI CAUSE	SOLUZIONE
Il veicolo non funziona	Batteria scarica o scollegata	Caricare/collegare la batteria
	Interruttore ESC non su ON	Accendere ESC
	Trasmettitore spento o con batterie scariche	Accendere o sostituire le batterie
Il motore gira ma le ruote posteriori non girano	Il pignone non ingrana con la corona	Regolare il gioco tra pignone e corona
	Il pignone slitta sull'albero motore	Stringere il grano del pignone sulla zona piatta dell'albero
	Ingranaggi trasmissione sgranati	Sostituire gli ingranaggi della trasmissione
	Spinotto di trascinamento rotto	Sostituire lo spinotto
Lo sterzo non funziona	Il connettore del servo non è correttamente inserito nel ricevitore	Verificare che il connettore del servo sia inserito bene e nel canale giusto sul ricevitore
	Ingranaggi o motore del servo, danneggiati	Sostituire o riparare il servo
Non sterza in una direzione	Ingranaggi del servo danneggiati	Sostituire o riparare il servo
	I fili del motore non sono saldati bene	Rifare la saldatura con l'attrezzatura giusta
	Fili del motore rotti	Riparare o sostituire se necessario
	Regolatore (ESC) danneggiato	Contattare l'assistenza Horizon Hobby
Il motore non gira	La tensione della batteria è bassa	Controllare la tensione della batterie e caricare se necessario
	Ingranaggi sul motore con passo troppo lungo	Usare un pignone più piccolo o una corona più grande
	Trasmissione legata	Verificare eventuali legature sulle ruote o la trasmissione
Tempo di funzionamento scarso o accelerazione fiacca	Batteria non completamente carica	Ricaricare la batteria
	Il caricabatterie non fornisce una carica completa	Provare con un altro caricabatterie
	Trasmissione legata	Verificare eventuali legature sulle ruote o la trasmissione
Portata scarsa e/o disturbi	Batterie trasmettitore scariche	Verificare e sostituire
	Batteria del veicolo scarica	Ricaricare la batteria
	Connettori o fili allentati	Verificare tutti i fili e le connessioni

- Non comandare avanti o indietro il veicolo se è bloccato, altrimenti si potrebbe danneggiare sia il motore che il regolatore.
- Dopo aver usato il veicolo per un certo periodo, attendere che le parti elettroniche si raffreddino prima di usarlo di nuovo.

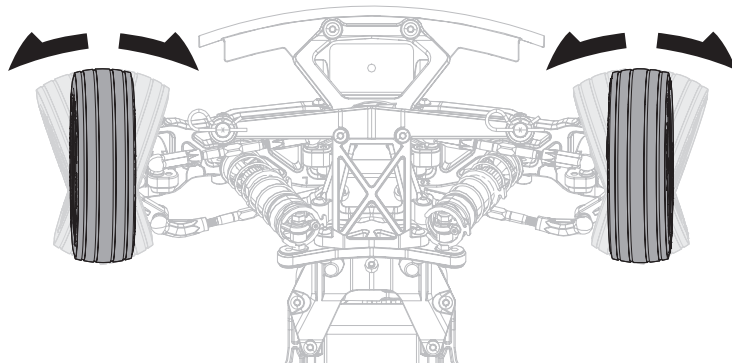
IMPORTANTE: Tenere lontano i cavi da tutte le parti mobili.

ACCENSIONE DEL VEICOLO

1. Centrare le manopole ST TRIM e TH TRIM sul trasmettitore.
2. Accendere il trasmettitore.
3. Collegare all'ESC una batteria completamente carica.
4. Accendere l'ESC.

IMPORTANTE: Il veicolo DEVE restare immobile per almeno 5 secondi su di una superficie piana e livellata.

ESEGUIRE UN CONTROLLO DELLA DIREZIONE DEI COMANDI



Eseguire una verifica con le ruote del veicolo sollevate dal suolo. Se le ruote girano appena dopo che il veicolo è stato acceso, regolare il TH TRIM finché si fermano. Per far muovere le ruote in avanti, tirare il grilletto. Per invertire il moto, attendere che le ruote si fermano, poi spingere il grilletto. Quando si muovono in avanti, le ruote dovrebbero mantenere una linea dritta senza intervenire sullo sterzo. In caso contrario, regolare lo ST TRIM per correggere.

GARANZIA

Periodo di garanzia

Garanzia esclusiva - Horizon Hobby, LLC (Horizon) garantisce che il prodotto acquistato (il "Prodotto") sarà privo di difetti relativi ai materiali e di eventuali errori di montaggio alla data di acquisto. Il periodo di garanzia è conforme alle disposizioni legali del paese nel quale il prodotto è stato acquistato. Tale periodo di garanzia ammonta a 6 mesi e si estende ad altri 18 mesi dopo tale termine.

Limiti della garanzia

(a) La garanzia è limitata all'acquirente originale (Acquirente) e non è cedibile a terzi. L'acquirente ha il diritto a far riparare o a far sostituire la merce durante il periodo di questa garanzia. La garanzia copre solo quei prodotti acquistati presso un rivenditore autorizzato Horizon. Altre transazioni di terze parti non sono coperte da questa garanzia. La prova di acquisto è necessaria per far valere il diritto di garanzia. Inoltre, Horizon si riserva il diritto di cambiare o modificare i termini di questa garanzia senza alcun preavviso e di escludere tutte le altre garanzie già esistenti.

(b) Horizon non si assume alcuna garanzia per la disponibilità del prodotto, per l'adeguatezza o l'idoneità del prodotto a particolari previsti dall'utente. È sola responsabilità dell'acquirente il fatto di verificare se il prodotto è adatto agli scopi da lui previsti.

(c) Richiesta dell'acquirente – spetta soltanto a Horizon, a propria discrezione riparare o sostituire qualsiasi prodotto considerato difettoso e che rientra nei termini di garanzia. Queste sono le uniche rivalse a cui l'acquirente si può appellare, se un prodotto è difettoso.

Horizon si riserva il diritto di controllare qualsiasi componente utilizzato che viene coinvolto nella rivalsa di garanzia. Le decisioni relative alla sostituzione o alla riparazione sono a discrezione di Horizon. Questa garanzia non copre dei danni superficiali o danni per cause di forza maggiore, uso errato del prodotto, un utilizzo che viola qualsiasi legge, regolamentazione o disposizione applicabile, negligenza, uso ai fini commerciali, o una qualsiasi modifica a qualsiasi parte del prodotto.

Questa garanzia non copre danni dovuti ad un'installazione errata, ad un funzionamento errato, ad una manutenzione o un tentativo di riparazione non idonei a cura di soggetti diversi da Horizon. La restituzione del prodotto a cura dell'acquirente, o da un suo rappresentante, deve essere approvata per iscritto dalla Horizon.

Limiti di danno

Horizon non si riterrà responsabile per danni speciali, diretti, indiretti o consequenziali; perdita di profitto o di produzione; perdita commerciale connessa al prodotto, indipendentemente dal fatto che la richiesta si basa su un contratto o sulla garanzia. Inoltre la responsabilità di Horizon non supera mai in nessun caso il prezzo di acquisto del prodotto per il quale si chiede la responsabilità. Horizon non ha alcun controllo sul montaggio, sull'utilizzo o sulla manutenzione del prodotto o di combinazioni di vari prodotti. Quindi Horizon non accetta nessuna responsabilità per danni o lesioni derivanti da tali circostanze. Con l'utilizzo e il montaggio del prodotto l'utente acconsente a tutte le condizioni, limitazioni e riserve di garanzia citate in questa sede.

Qualora l'utente non fosse pronto ad assumersi tale responsabilità associata all'uso del prodotto, si suggerisce di restituire il prodotto intatto, mai usato e immediatamente presso il venditore.

Indicazioni di sicurezza

Questo è un prodotto sofisticato di hobbistica e non è un giocattolo. Esso deve essere manipolato con cautela, con giudizio e richiede delle conoscenze basilari di meccanica e delle facoltà mentali di base. Se il prodotto non verrà manipolato in maniera sicura e responsabile potrebbero risultare delle lesioni, dei gravi danni a persone, al prodotto o all'ambiente circostante. Questo prodotto non è concepito per essere usato dai bambini senza una diretta supervisione di un adulto. Il manuale del prodotto contiene le istruzioni di sicurezza, di funzionamento e di manutenzione del prodotto stesso. È fondamentale leggere e seguire tutte le istruzioni e le avvertenze nel manuale prima di mettere in funzione il prodotto. Solo così si eviterà un utilizzo errato e si preveniranno incidenti, lesioni o danni.

Domande, assistenza e riparazioni

Il vostro negozio locale e/o luogo di acquisto non possono fornire garanzie di assistenza o riparazione senza previo colloquio con Horizon. Questo vale anche per le riparazioni in garanzia. Quindi in tali casi bisogna interpellare un rivenditore, che si metterà in contatto subito con Horizon per prendere una decisione che vi possa aiutare nel più breve tempo possibile.

Manutenzione e riparazione

Se il prodotto deve essere ispezionato o riparato, si prega di rivolgersi ad un rivenditore specializzato o direttamente ad Horizon. Il prodotto deve essere imballato con cura. Bisogna far notare che i box originali solitamente non sono adatti per effettuare una spedizione senza subire alcun danno. Bisogna effettuare una spedizione via corriere che fornisce una tracciabilità e un'assicurazione, in quanto Horizon non si assume alcuna responsabilità in relazione alla spedizione del prodotto. Inserire il prodotto in una busta assieme ad una descrizione dettagliata degli errori e ad una lista di tutti i singoli componenti spediti. Inoltre abbiamo bisogno di un indirizzo completo, di un numero di telefono per chiedere ulteriori domande e di un indirizzo e-mail.

Garanzia a riparazione

Le richieste in garanzia verranno elaborate solo se è presente una prova d'acquisto in originale proveniente da un rivenditore specializzato autorizzato, nella quale è ben visibile la data di acquisto. Se la garanzia viene confermata, allora il prodotto verrà riparato o sostituito. Questa decisione spetta esclusivamente a Horizon Hobby.

Riparazioni a pagamento

Se bisogna effettuare una riparazione a pagamento, effettueremo un preventivo che verrà inoltrato al vostro rivenditore. La riparazione verrà effettuata dopo l'autorizzazione da parte del vostro rivenditore. La somma per la riparazione dovrà essere pagata al vostro rivenditore. Le riparazioni a pagamento avranno un costo minimo di 30 minuti di lavoro e in fattura includeranno le spese di restituzione. Qualsiasi riparazione non pagata e non richiesta entro 90 giorni verrà considerata abbandonata e verrà gestita di conseguenza.

ATTENZIONE: Le riparazioni a pagamento sono disponibili solo sull'elettronica e sui motori. Le riparazioni a livello meccanico, soprattutto per gli elicotteri e le vetture RC, sono molto costose e devono essere effettuate autonomamente dall'acquirente.

10/15

GARANZIA E ASSISTENZA INFORMAZIONI PER I CONTATTI

Stato di acquisto	Horizon Hobby	Telefono/Indirizzo e-mail	Indirizzo
Unione Europea	Horizon Technischer Service	service@horizonhobby.eu +49 (0) 4121 2655 100	Hanskampring 9 D 22885 Barsbüttel, Germany
	Sales: Horizon Hobby GmbH		

DICHIARAZIONE DI CONFORMITÀ EU

Produttore ufficiale dell'UE:

Horizon Hobby, LLC
2904 Research Road
Champaign, IL 61822 USA

Importatore ufficiale dell'UE:

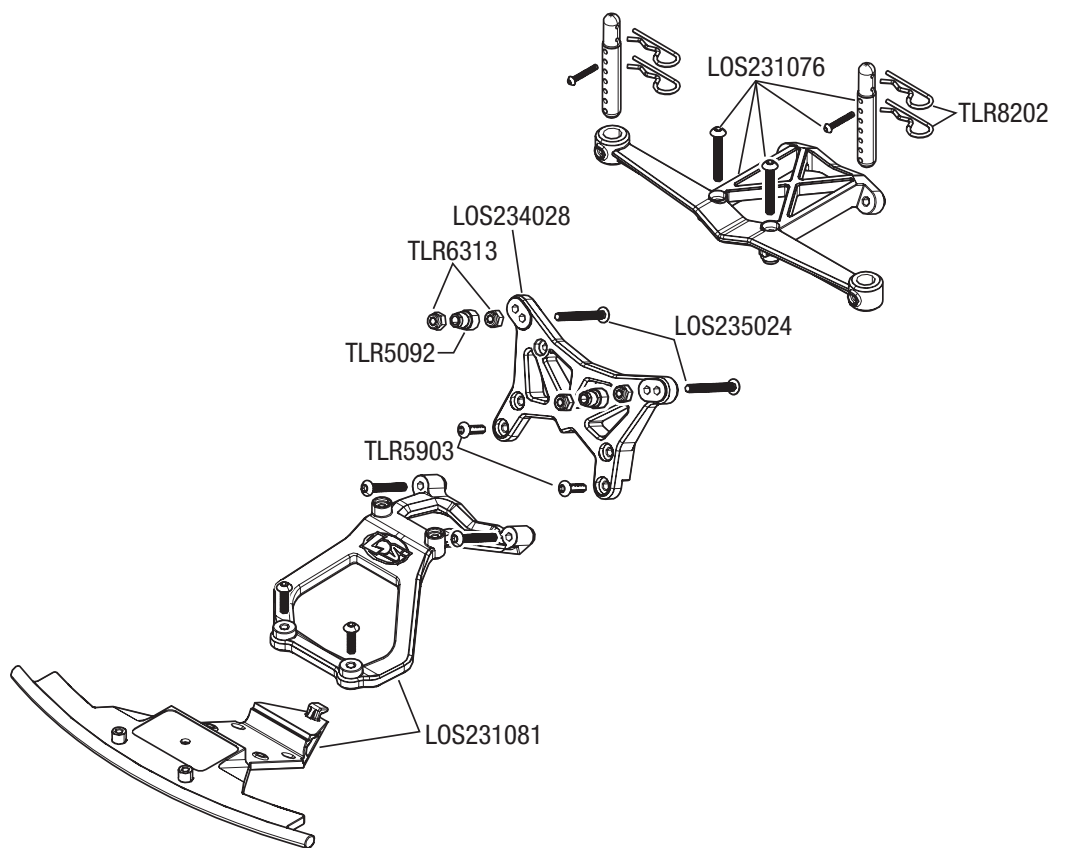
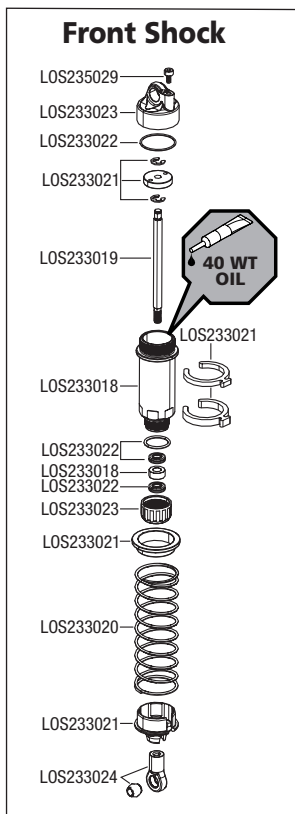
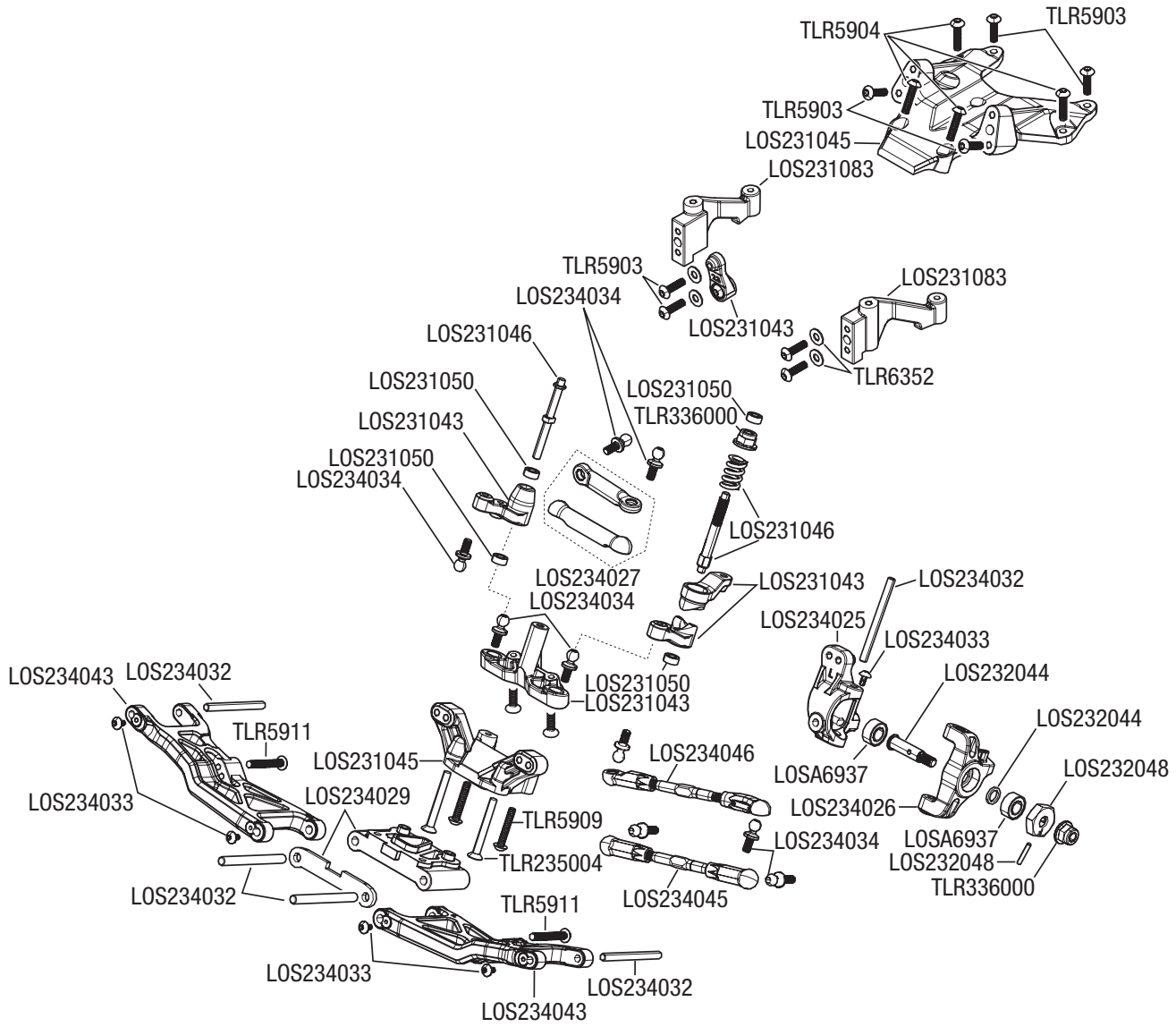
Horizon Hobby, GmbH
Hanskampring 9
22885 Barsbüttel Germany

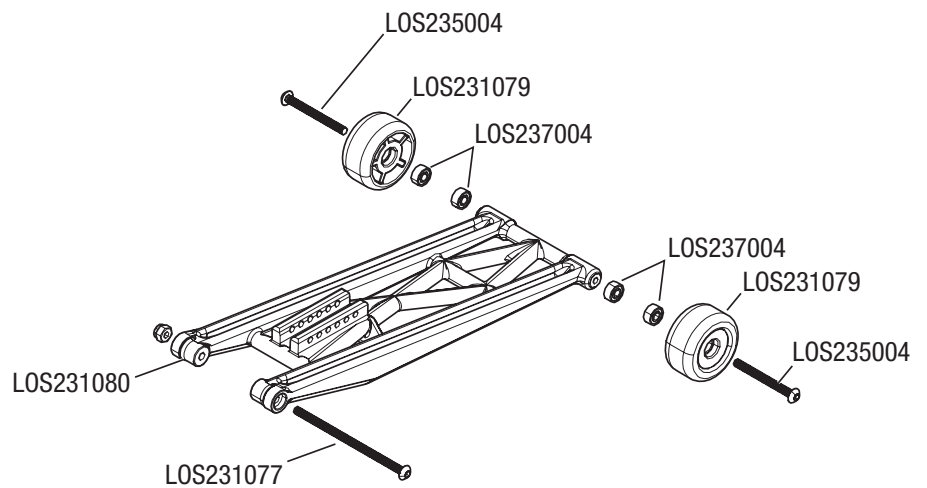
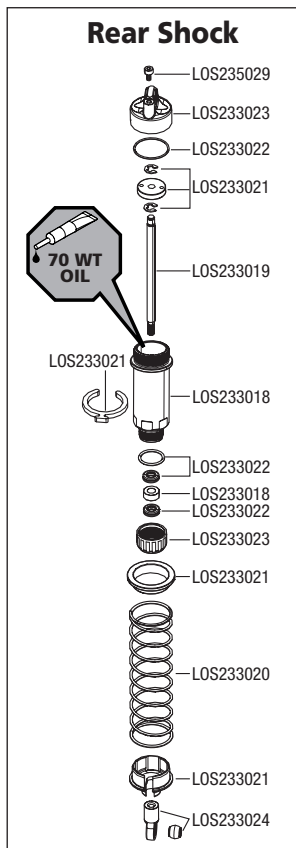
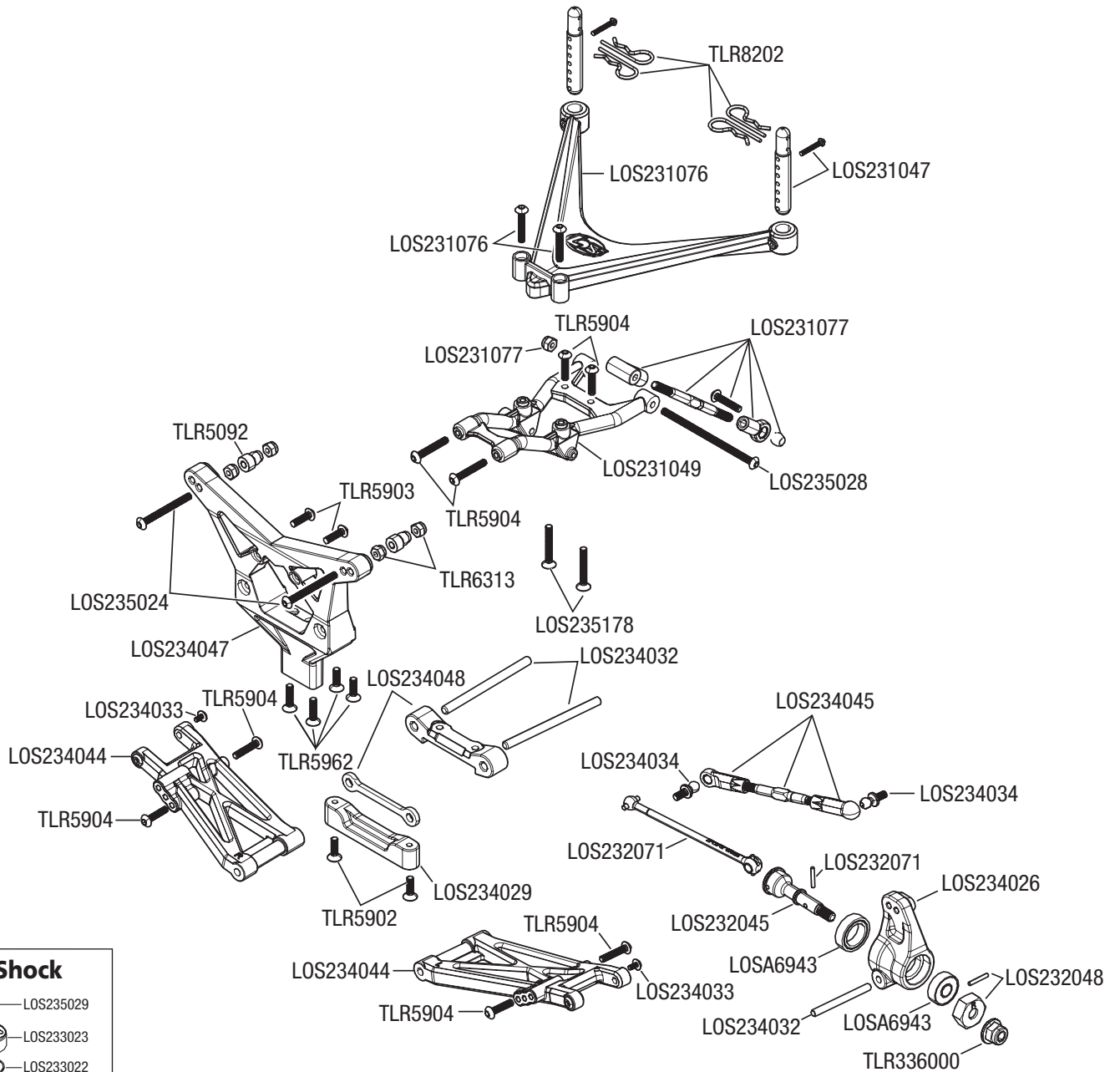
AVVISO RAEE:



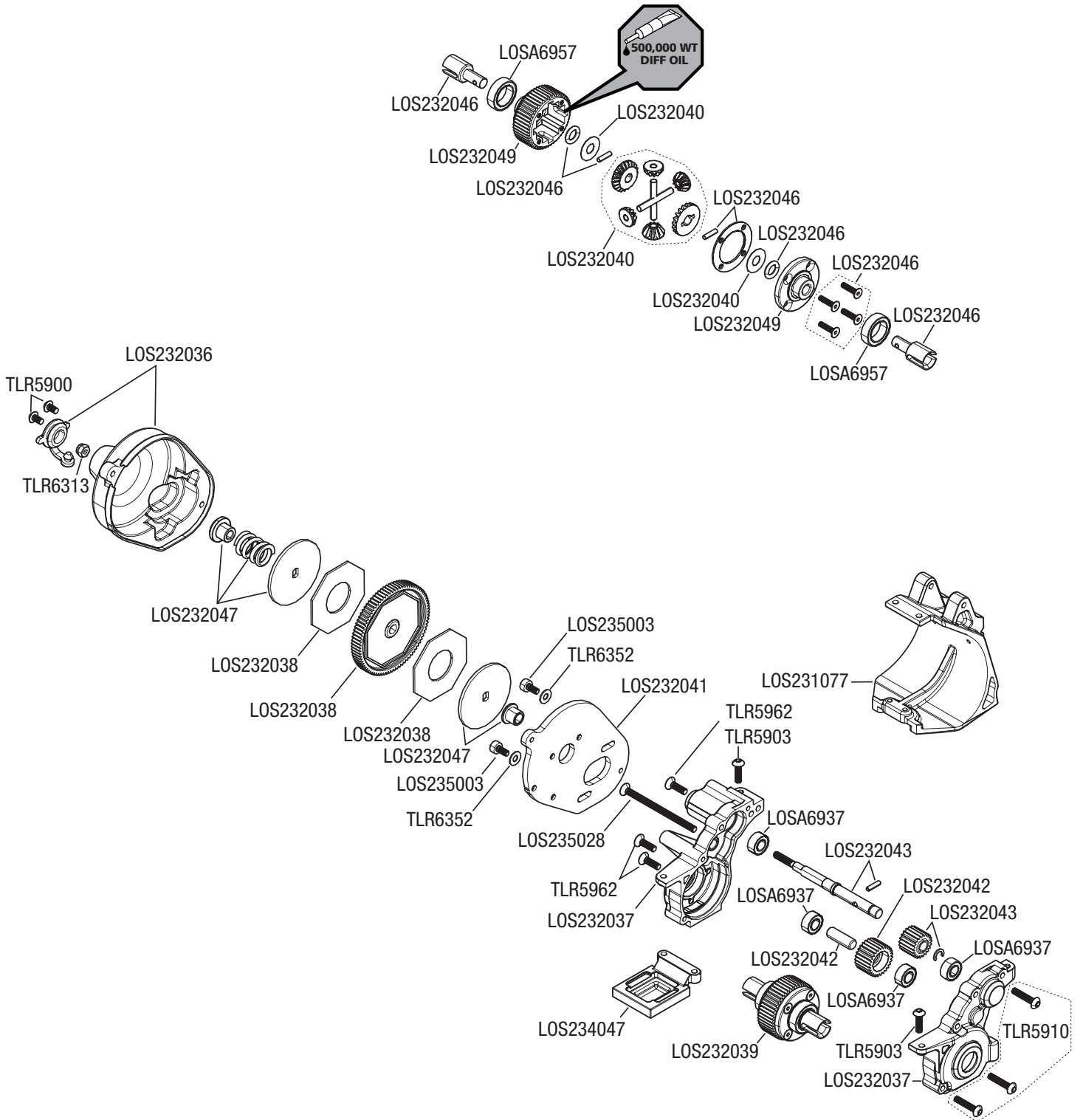
Questo dispositivo è marcato ai sensi della Direttiva europea 2012/19/UE riguardante i rifiuti di apparecchiature elettriche ed elettroniche (RAEE). Il simbolo indica che il prodotto non va smaltito insieme ai rifiuti domestici. Il prodotto deve essere consegnato agli appositi centri di raccolta per consentirne il recupero e il riciclaggio.

EXPLODED VIEW // EXPLOSIONSZEICHNUNG // VUE ÉCLATÉE DES PIÈCES // VISTA ESPLOSA DELLE PARTI

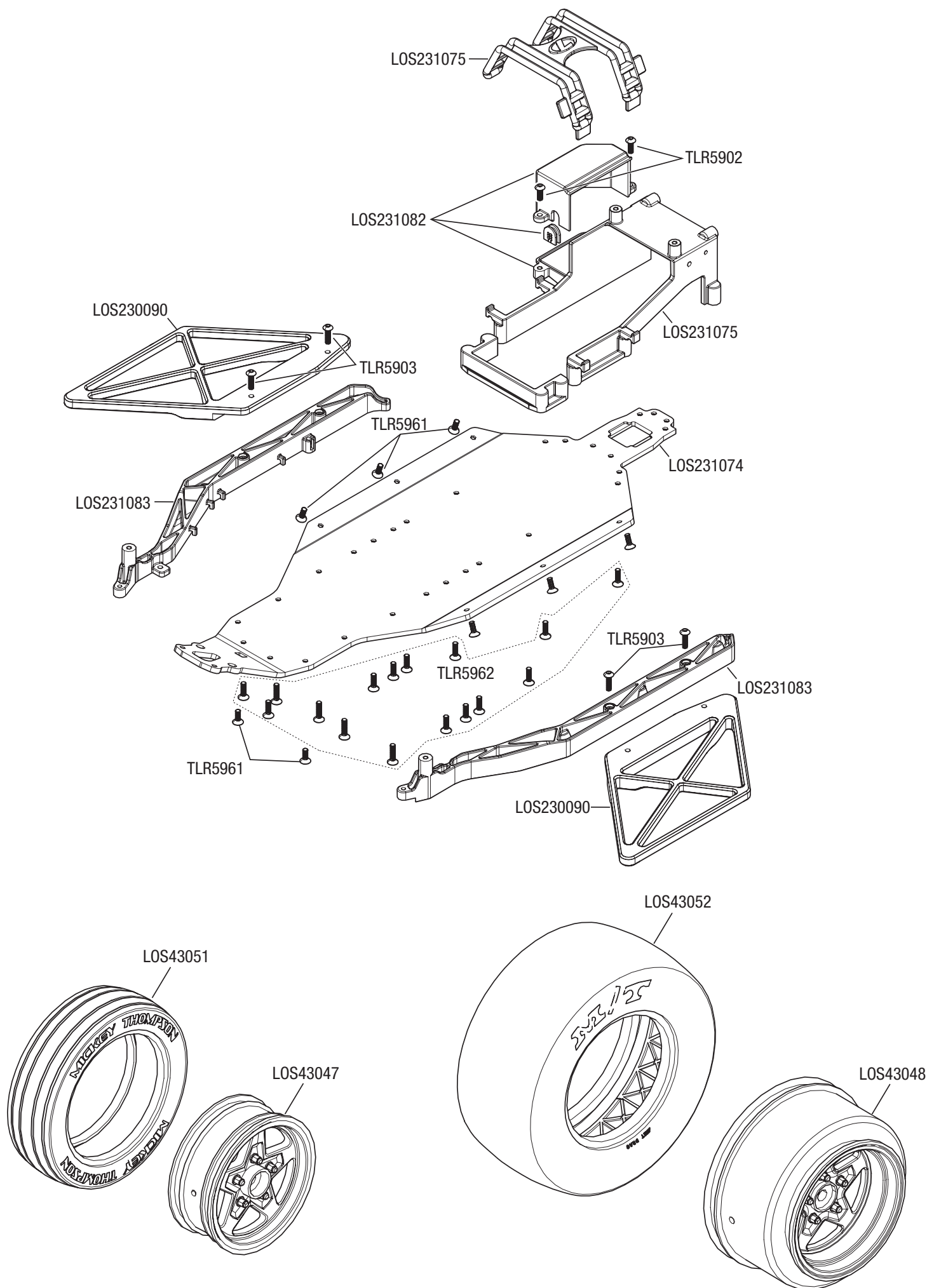




EXPLODED VIEW // EXPLOSIONSZEICHNUNG // VUE ÉCLATÉE DES PIÈCES // VISTA ESPLOSA DELLE PARTI



EXPLODED VIEW // EXPLOSIONSZEICHNUNG // VUE ÉCLATÉE DES PIÈCES // VISTA ESPLOSA DELLE PARTI



REPLACEMENT PARTS // TEILELISTE // LISTE DES PIÈCES DE RECHANGE // ELENCO DEI RICAMBI

Part #	English	Deutsch	Français	Italiano
LOS43047	Front Wheel, Satin (2)	Hinterrad, Satin (2)	Roue arrière, satinée (2)	Ruota posteriore, satinata (2)
LOS43048	Rear Wheel, Satin (2)	Vorderrad, Satin (2)	Roue avant, satinée (2)	Ruota anteriore, satinata (2)
LOS43051	Front Tire, M/T (2)	Vorderreifen, M/T (2)	Pneu avant, M/T (2)	Ruota anteriore, M/T (2)
LOS43052	Rear Tire, M/T (2)	Hinterreifen, M/T (2)	Pneu arrière, M/T (2)	Ruota posteriore, M/T (2)
LOS230090	Body Support Sets, Short & Long	Body Gehäuse Sets, kurz und lang	Ensembles de Support carrosserie, courts et longs	Set di supporti per carrozzeria, corti e lunghi
LOS231043	Composite Steering Set	Komposit-Lenkungssatz	Ensemble de direction composite	Set sterzo, composito
LOS231045	Bulkhead Camber Block & Servo Mount	Spritzwandsturz schwarz und Servoalterung	Cale de carrossage à cloison et support du servo	Paratia, blocco camber, supporto servo
LOS231046	Steering Hardware Set	Hardwaresatz Lenkung	Ensemble de matériel de direction	Set accessori sterzo
LOS231047	Body Mount Set	Gehäusehalterungssatz	Ensemble de montage de carrosserie	Set supporti carrozzeria
LOS231049	Rear Bumper Set	Heckstoßstangensatz	Ensemble de pare-chocs arrière	Set paraurti posteriore
LOS231050	Steering Bearing Set	Lenklagersatz	Ensemble de roulement de direction	Set cuscinetti sterzo
LOS231074	Chassis, Aluminum	Karosserie, Aluminium	Châssis, aluminium	Telaio, alluminio
LOS231075	Battery Mount Set, Aluminum Chassis	Akkualterungssatz, Aluminiumkarosserie	Ensemble support de batterie, châssis en aluminium	Set supporto batteria, telaio alluminio
LOS231076	Body Mount Set	Gehäusehalterungssatz	Ensemble de montage de carrosserie	Set supporti carrozzeria
LOS231077	Wheelie Bar Set, Complete	Wheelie-Stangensatz, vollständig	Ensemble de barre de cabré, complet	Set Wheelie Bar, completo
LOS231078	Wheelie Bar Mount	Wheelie-Halterungssatz	Montage de barre de cabré	Supporto Wheelie Bar
LOS231079	Wheelie Bar Wheel Set (2)	Wheelie-Stangen-/Reifensatz (2)	Ensemble de roues avec barre de cabré (2)	Set ruote Wheelie Bar (2)
LOS231080	Wheelie Bar Truss	Wheelie-Stangenträger	Barre de cabré inclinée	Travatura Wheelie Bar
LOS231081	Front Bumper Set	Stoßstangensatz, Front	Jeu de pare-chocs avant	Set ammortizzatore anteriore
LOS231082	Rear Bulkhead, Aluminum Chassis	Hintere Spritzwand, Aluminiumchassis	Cloison arrière, châssis en aluminium	Paratia posteriore, telaio alluminio
LOS231083	Side Guard Set Aluminum Chassis	Seitenschutz-Set Aluminiumchassis	Ensemble de protections latérales, châssis en aluminium	Set paracolpi laterali, telaio alluminio
LOS232036	Gear Cover and Motor Guard	Getriebeabdeckung und Motorschutz	Cache de l'engrenage et protection moteur	Coperchio pignone e protezione motore
LOS232037	Transmission Case	Getriebeabdeckung	Boîtier de transmission	Scatola del cambio
LOS232038	Spur Gear and Slipper Pad 48P 84T	Stirnrad und Gleitkissen 48P 84T	Engrenage cylindrique et sabot de piston 48P 84T	Corona e pattino scorrevole 48P 84T
LOS232039	Complete Gear Differential	Komplettes Getriebe Differential	Engrenage différentiel complet	Differenziale pignone completo
LOS232040	Gear Set, Gear Differential	Getriebebesatz, Getriebe Differential	Ensemble d'engrenages, engrenage différentiel	Set pignone, differenziale pignone
LOS232041	Motor Plate	Motorplatte	Plaque moteur	Piastra motore
LOS232042	Idler Gear and Shaft	Zwischenrad und Welle	Axe de pignon intermédiaire	Ingranaggio e albero folle
LOS232043	Layshaft and Gear	Zwischenwelle und Getriebe	Arbre intermédiaire et engrenage	Albero secondario e ingranaggio
LOS232044	Front Axle	Vorderachse	Essieu avant	Assale anteriore
LOS232046	Gear Differential Rebuild Set	Nachbausatz Getriebe Differential	Ensemble de reconstruction de l'engrenage différentiel	Set differenziale pignone rigenerato
LOS232047	Slipper Hardware Set	Hardwaresatz Gleiter	Ensemble de matériel du sabot	Set bulloneria scorrevole
LOS232048	Wheel Hex Set	Radsechskantsatz (4)	Hexagones de roues (4)	Set esagoni ruote (4)
LOS232071	CVA Driveshaft, Complete	CVA-Antriebswelle, komplett	Arbres de transmission CVA, complet	Albero di trasmissione CVA completo
LOS233016	Front Shock Set, Complete	Kompletter Vorderer Stoßdämpfersatz	Lot d'amortisseurs avant, complet	Set ammortizzatore anteriore completo
LOS233018	Shock Body Set	Stoßdämpfergehäusesatz	Carrosserie amortisseurs	Set corpo ammortizzatore
LOS233019	Shock Shaft Set	Kolbenstangensatz	Lot de bras d'amortisseurs	Set albero ammortizzatore
LOS233020	Spring Set	Federsatz	Ressort	Set molle
LOS233021	Spring Cups and Clip Set	Satz mit Federtellern und Clips	Lot de coupelles de ressort et d'attaches	Set molle, coppe e clip
LOS233022	Shock Seal Set	Stoßdämpferdichtungssatz	Lot de joints d'amortisseurs	Set guarnizioni ammortizzatore
LOS233023	Shock Caps (2)	Stoßdämpferkappen (2)	Capuchons d'amortisseurs (2)	Tappi ammortizzatore (2)
LOS233024	Shock Ends	Stoßdämpferenden	Extrémités d'amortisseurs	Terminali ammortizzatore
LOS234025	Front Caster Block Set	Vorderradblocksatz	Lot de blocs de roulettes avant	Set blocco ruota anteriore
LOS234026	Hub and Spindle Set	Satz aus Nabe und Spindel	Lot de moyeux et de fusées	Set mozzo e fuselli
LOS234027	Camber and Steering Link Set	Spurstange- und Lenklenkersatz	Ensemble de bras de carrossage et de direction	Set camber e braccetti sterzo
LOS234028	Shock Tower Set	Stoßdämpfersatz	Support d'amortisseurs	Set Torre Ammortizzatore
LOS234029	Pivot Set	Drehgelenksatz	Lot pivot	Set perni
LOS234032	Hinge Pin Set	Scharnierbolzensatz	Lot de charnière	Set piastrine per perni
LOS234033	Hinge Pin Lock Screws	Scharnierbolzen-Sicherungsstifte	Vis de blocage de charnière	Viti di supporto piastrine per perni
LOS234034	Ball Stud, 4.8mm x 6mm (4)	Kugelzapfen, 4,8 mm x 6 mm (4)	Piton à rotule, 4,8 mm x 6 mm (4)	Viti a sfera, 4,8 mm x 6 mm (4)
LOS234043	Front Arm Set	Vorderarmsatz	Ensemble bras avant	Set bracci anteriori
LOS234044	Rear Arm Set	Hinterarmsatz	Ensemble bras arrière	Set bracci posteriori
LOS234045	Camber Link Set, Front & Rear	Spurstange, Front und Heck	Ensemble de bras de carrossage, avant et arrière	Set braccetti camber, ant e post
LOS234046	Steering Link Set	Lenkgliedset: 22S Drag	22S - Drag Ensemble de timonerie de direction	Set braccetti sterzo
LOS234047	Rear Shock Tower: 22S Drag	Hintere Stoßdämpferbrücke	Tour d'amortisseur arrière	Torre ammortizzatore posteriore: 22S Drag
LOS234048	Rear Pivot Block Set	Hinterer Drehblocksatz	Ensemble de blocs de pivot arrière	Set blocco perno posteriore
LOS235003	Cap Head Screws M3 x 6mm (10)	Inbusschrauben M3 x 6 mm (10)	Vis à tête bombée, M3 x 6 mm (10)	Viti a testa cilindrica, M3 x 6 mm (10)
LOS235018	Set Screws, M3 X 3mm (10)	Stellschrauben, M3 x 3 mm (10)	Vis de fixation, M3 x 3 mm (10)	Viti di fermo, M3 x 3 mm (10)

REPLACEMENT PARTS // TEILELISTE // LISTE DES PIÈCES DE RECHANGE // ELENCO DEI RICAMBI

Part #	English	Deutsch	Français	Italiano
LOS235024	Button Head Screws M3 x 25mm (10)	Halbrundsrauben, M3 x 25 mm (10)	Vis à tête bombée M3 x 25mm (10)	Viti a testa tonda, M3 x 25 mm (10)
LOS235028	Flat Head Screws M3 x 45mm (6)	Flachkopfschrauben, M3 x 45 mm (6)	Vis à tête fraisée, M3 x 45mm (6)	Viti a testa piatta, M3 x 45 mm (6)
LOS235029	Cap Head Screws M2 x 4mm (10)	Inbusschrauben M2 x 4 mm (10)	Vis à tête bombée, M2 x 4 mm (10)	Viti a testa cilindrica, M2 x 4 mm (10)
LOS235178	Flat Head Screws, M3 x 14mm (10)	Flachkopfschrauben, M3 x 14 mm (10)	Vis à tête fraisée, M3 x 14mm (10)	Viti a testa piatta, M3 x 14 mm (10)
LOS237004	3 x 7 x 3mm Ball Bearing (4)	3 x 7 x 3 mm, Kugellager (4)	Roulement à billes 3 x 7 x 3mm (4)	Cuscinetti a sfera 3x7x3 mm (4)
LOSA6937	5 x 10mm Shielded Ball Bearing (2)	5 x 10 mm abgedichtetes Kugellager (2)	Roulement à billes blindé 5 x 10 mm (2)	Cuscinetti a sfera schermati 5 x 10 mm (2)
LOSA6943	10 X 15mm Sealed Ball Bearings (2)	10 x 15 mm abgedichtete Kugellager (2)	Roulements à Billes Scellés 10 X 15mm (2)	Cuscinetti a sfere sigillati 10 x 15 mm (2)
LOSA6955	5 x 13mm HD Clutch Bearings (2)	5 x 13 mm HD Kupplungslager (2)	Roulements à embrayage ultra-résistant 5 x 13 mm (2)	Cuscinetti frizione HD 5 x 13mm (2)
LOSA6957	10 x 15 x 4mm BB (2) w/ Nylon Retainer	10 x 15 x 4 mm BB (2) mit Nylon-Halter	Roulements à billes 10 x 15 x 4 mm (0) avec bague de retenue en nylon	Cuscinetto a sfera 10 x 15 x 4mm (2) con fermo in nylon
TLR235004	Flat Head Screws, M3 x 25mm (10)	Flachkopfschrauben, M3 x 25 mm (10)	Vis à tête fraisée, M3 x 25mm (10)	Viti a testa piatta, M3 x 25 mm (10)
TLR235007	Flat Head Screws M2.5 x 10mm (10)	Flachkopfschrauben, M2.5 x 10 mm (10)	Vis à tête fraisée, M2.5 x 10mm (10)	Viti a testa piatta, M2.5 x 10 mm (10)
TLR5092	Upper Shock Bushing (4)	Oberes Dämpferlager (4)	Bague d'amortisseurs supérieurs (4)	Boccole ammortizzatore superiore (4)
TLR5900	Button Head Screws, M3 x 5mm (10)	Halbrundsrauben, M3 x 5 mm (10)	Vis à tête bombée M3 x 5mm (10)	Viti a testa tonda, M3 x 5 mm (10)
TLR5901	Button Head Screws, M3 x 6mm (10)	Halbrundsrauben, M3 x 6 mm (10)	Vis à tête bombée M3 x 6mm (10)	Viti a testa tonda, M3 x 6 mm (10)
TLR5902	Button Head Screws, M3 x 8mm (10)	Halbrundsrauben, M3 x 8 mm (10)	Vis à tête bombée M3 x 8mm (10)	Viti a testa tonda, M3 x 8 mm (10)
TLR5903	Button Head Screws, M3 x 10mm (10)	Halbrundsrauben, M3 x 10 mm (10)	Vis à tête bombée M3 x 10mm (10)	Viti a testa tonda, M3 x 10 mm (10)
TLR5904	Button Head Screws, M3 x 12mm (10)	Halbrundsrauben, M3 x 12 mm (10)	Vis à tête bombée M3 x 12mm (10)	Viti a testa tonda, M3 x 12 mm (10)
TLR5906	Button Head Screws, M3 x 35mm (10)	Halbrundsrauben, M3 x 35 mm (10)	Vis à tête bombée M3 x 35mm (10)	Viti a testa tonda, M3 x 35 mm (10)
TLR5909	Button Head Screws, M3 x 16mm (10)	Halbrundsrauben, M3 x 16 mm (10)	Vis à tête bombée M3 x 16mm (10)	Viti a testa tonda, M3 x 16 mm (10)
TLR5910	Button Head Screws M3 x 14mm (10)	Halbrundsrauben, M3 x 14 mm (10)	Vis à tête bombée M3 x 14mm (10)	Viti a testa tonda, M3 x 14 mm (10)
TLR5911	Button Head Screws, M3 x 20mm (10)	Halbrundsrauben, M3 x 20 mm (10)	Vis à tête bombée M3 x 20mm (10)	Viti a testa tonda, M3 x 20 mm (10)
TLR5912	Button Head Screws, M3 x 54mm (2)	Halbrundsrauben, M3 x 54 mm (2)	Vis à tête bombée M3 x 54mm (2)	Viti a testa tonda, M3 x 54 mm (2)
TLR5914	Button Head Screws, M2 x 12mm (10)	Halbrundsrauben, M2 x 12 mm (10)	Vis à tête bombée M2 x 12mm (10)	Viti a testa tonda, M2 x 12 mm (10)
TLR5961	Flat Head Screws, M3 x 8mm (10)	Flachkopfschrauben, M3 x 8 mm (10)	Vis à tête fraisée, M3 x 8mm (10)	Viti a testa piatta, M3 x 8 mm (10)
TLR5962	Flat Head Screws, M3 x 10mm (10)	Flachkopfschrauben, M3 x 10 mm (10)	Vis à tête fraisée, M3 x 10mm (10)	Viti a testa piatta, M3 x 10 mm (10)
TLR5963	Flat Head Screws, M3 x 12mm (10)	Flachkopfschrauben, M3 x 12 mm (10)	Vis à tête fraisée, M3 x 12mm (10)	Viti a testa piatta, M3 x 12 mm (10)
TLR6105	E-Clips, 3mm Shaft (12)	E-Clips 3 mm (12)	E-Clips 3mm (12)	E-clip 3 mm (12)
TLR6288	Set Screws, M3 x 2.5mm (10)	Stellschraube, M3 x 2,5 mm (10)	Vis de fixation, M3 x 2,5 mm (10)	Set viti, M3 x 2,5 mm (10)
TLR6313	Locknut, M3 x .5 x 5.5mm (10)	Einstellmutter, M3 x .5 x 5.5 mm (10)	Écrou auto-freiné, M3 x .5 x 5.5mm (10)	Dado Nylock, M3 x .5 x 5.5 mm (10)
TLR6352	Washers, M3 (10)	Unterlegscheiben, M3 (10)	Rondelles, M3 (10)	Rondelle, M3 (10)
TLR8202	Body Clips, Black (12)	Karosseriekammern, Schwarz (12)	Clips de carrosserie noirs (12)	Clip carrozzeria, nero (12)
VTR235178	Flat Head Screws, M3 x 14mm (10)	Flachkopfschrauben, M3 x 14 mm (10)	Vis à tête fraisée, M3 x 14mm (10)	Viti a testa piatta, M3 x 14 mm (10)

RECOMMENDED PARTS // EMPFOHLENE TEILE // PIÈCES RECOMMANDÉES // PEZZI RACCOMANDATI

Part #	English	Deutsch	Français	Italiano
SPMXPS2	Smart Powerstage Bundle 2S	Smart Leistungsteilpaket 2	Lot à étage de puissance Smart 2S	Smart Bundle Powerstage 2S
SPMS606	S606 Standard Waterproof Surface Servo	S606 wasserdichter Standard-Oberflächenservo	Servo de surface étanche standard S606	S606, servo di sup impermeabile std
SPMXSE1100	Firma 100A Brushless Smart ESC, 3S	Firma 100A bürstenloser Smart-Geschwindigkeitsregler, 3S	Variateur ESC Smart sans balais 100A Firma, 3S	Smart ESC Firma 100A Brushless, 3S
SPMXSM2800	Spektrum 3652 4-Pole Brushless Motor 6500Kv	Spektrum 3652 4-poliger Bürstenloser-Motor 6.500 kv	Moteur Spektrum 3652 4 pôles sans balais 6 500 kv	Motore Spektrum 3652 4 poli Brushless 6500 Kv
SPMXC1000	Smart S1200 DC Charger, 1x200W	Smart S1200 Wechselstrom-Ladegerät, 1 x 200 W	Chargeur Smart S1200, 1x200 W	Caricabatterie Smart S1200 CC 1x200 W
SPMX50002S100H5	7.4V 5000mAh 2S 100C LiPo, Smart Hardcase: EC5	7,4 V 5.000 mAh 2S 100C Smart-Hartschalen-LiPo-Akku mit IC5-Stecker	Batterie Li-po 7,4 V 5 000 mAh 2S 100C Smart avec connecteur IC5	Batteria 7,4 V 5000 mAh 2S 100C Smart Hardcase LiPo con connettore IC5

OPTIONAL PARTS // OPTIONALE TEILE // PIÈCES OPTIONNELLES // PARTI OPZIONALI

Part #	English	Deutsch	Français	Italiano
DTXC2390	Pit Tech Deluxe Tool Stand Blue	Pit Tech Deluxe-Werkzeugständer, blau	Porte-outils Pit Tech Deluxe bleu	Stand attrezzi Pit Tech Deluxe
DYN2950	8-in-1 Hex Wrench Kit	8-in-1 Sechskantschlüsselsatz	Kit de clés hexagonales 8-en-1	Kit chiave esagonale 8 in 1
DYN4403	GPS Speed Meter	GPS-Tachometer	Indicateur de vitesse GPS	Tachimetro GPS
LOS43049	Front Wheel Black Chrome (2)	Vorderrad, schwarz Chrom (2)	Roue avant, noire chromée (2)	Ruote anteriori, nera cromate (2)
LOS43050	Rear Wheel, Black Chrome (2)	Hinterrad, schwarz Chrom (2)	Roue arrière, noire chromée (2)	Ruote posteriori, nera cromate (2)
LOS230086	69 Camaro Body, Clear	69 Camaro-Karosserie, transparent	Carrosserie Camaro 69, transparente	69 Camaro, carrozzeria, trasparente
LOS230088	69 Chevy Camaro Drag Car Body Set, Summit	69 Chevy Camaro Drag-Car-Karosserie-Set, Summit	Ensemble de carrosserie pour voiture Chevy Camaro 69 de dragster	69 Chevy Camaro Drag Car, Set carrozzeria, Summit
LOS230092	69 Chevy Camaro Drag Body	69 Chevy Camaro Drag-Karosserie	Carrosserie Chevy Camaro 69 de dragster	69 Chevy Camaro Drag, carrozzeria,
TLR232009	HDS Spur Gear 76T 48P Kevlar®	HDS Stirnrad 76T 48P Kevlar	Engrenage HDS 76T 48P Kevlar	Corona HDS 76T 48P Kevlar
TLR232010	HDS Spur Gear 78T 48P Kevlar®	HDS Stirnrad 78T 48P Kevlar	Engrenage HDS 78T 48P Kevlar	Corona HDS 78T 48P Kevlar
LOS233004	FR/RR Shock Seal/Limiter Set: BR	FR/RR Stoßdämpfer/Stoßbegrenzer-Set: BR	Ensemble de joints d'amortisseur/limiteur avant/arrière : BR	Set limitatori/tenute amm ant/pst: BR
LOS233020	Spring Set	Federsatz	Ensemble ressort	Set molle
LOS234048	Rear Pivot Block Set	Zapfenlager-Set, hinten	Ensemble de blocs pivots arrière	Set blocco pivot posteriore
LOS331013	Clamping Servo Horn Aluminum, 23T	Klemm-Servohorn, Aluminium, 23T	Renvoi de commande du servo de serrage, aluminium, 23T	Squadretta servo blocc, allum, 23T
LOS331014	Clamping Servo Horn Aluminum, 25T	Klemm-Servohorn, Aluminium, 25T	Renvoi de commande du servo de serrage, aluminium, 25T	Squadretta servo blocc, allum, 25T
LOS332005	Clamping Front Wheel Hex Aluminum	Aluminium Klemmvorderrad Sechskant	Serrage de roue avant hexagonale en aluminium	Esagono serraggio ruote allum ant
LOS332006	Clamping Rear Wheel Hex Aluminum	Aluminium Klemmhinterrad Sechskant	Serrage de roue arrière hexagonale en aluminium	Esagono serraggio ruote allum pst
LOS333000	Front Shocks, Aluminum Assembly	Vordere Stoßdämpfer, Aluminiumgehäuse	Assemblage d'amortisseurs avant, aluminium	Ammortizzatori ant, gruppo allum
LOS334014	Rear Hub Set, Aluminum	Nabensatz, hinten, Aluminiumgehäuse	Ensemble de moyeu arrière, aluminium	Set mozzo posteriore, alluminio
LOS334015	Front Pivot, Aluminum	Vorderes Drehgelenk, Aluminium	Pivot avant, aluminium	Pivot anteriore, alluminio
LOS334016	Front Spindle Set, Aluminum	Front-Spindelsatz, Aluminium	Ensemble d'axe avant, aluminium	Set fusello anteriore, alluminio
LOS334017	Caster Block Set, Aluminum	Radblock-Set, Aluminium	Ensemble de blocs de rondelle, aluminium	Set caster block, alluminio
LOS334018	Front Camber Block, Aluminum	Vorderer Radsturzblock, Aluminium	Cale de carrossage avant, aluminium	Blocco camber anteriore, alluminio
LOS334019	Rear Pivot Set, Aluminum	Zapfenlager-Set, vorn, Aluminium	Ensemble de pivot arrière, aluminium	Set pivot posteriore, alluminio
LOS334021	Rear Sway Bar Set	Heck Schwingen-Satz	Ensemble barre stabilisatrice arrière	Set barra antirullo posteriore
LOSA99174	Car Stand	Fahrzeugständer	Socle	Supporto automodello
PRO277503	Pomona Drag Spec 2.2", Black: Slash Front	Pomona Drag Spec 2.2", schwarz: Slash Front	Pomona de dragster Spec 2,2", noir : Oblique avant	Pomona Drag Spec 2.2", nero: Slash ant
PRO277603	Pomona Drag Spec 2.2 3.0", Black: Slash 2WD Rear, 4x4 F/R	Pomona Drag Spec 2.2 3.0", schwarz: Slash 2WD Rear, 4x4 F/R	Pomona de dragster Spec 2,2 3,0", noir : 2 roues motrices obliques arrière, 4x4 avant/ arrière	Pomona Drag Spec 2.2 3.0", nero: Slash 2WD post, 4x4 F/R
PRO352300	Clear Body, Super J Pro-Mod: 1/10 Slash 2WD, Drag Car	Transparente Karosserie, Super J Pro-Mod: 1/10 Slash 2WD, Drag Car	Carrosserie transparente, Super J Pro-Mod : Voiture de dragster, 2 roues motrices Slash 1/10	Carrozzeria trasparente, Super J Pro-Mod: 1/10 Slash 2WD, Drag Car
PRO353100	Clear Body, 1969 Chevrolet Nova: 1/10 Slash 2WD, Drag Car	Transparente Karosserie, 1969 Chevrolet Nova: 1/10 Slash 2WD, Drag Car	Carrosserie transparente, Chevrolet Nova 1969 : Voiture de dragster, 2 roues motrices Slash 1/10	Carrozzeria trasparente, 1969 Chevrolet Nova: 1/10 Slash 2WD, Drag Car
PRO354900	1978 Chevrolet Malibu Body: Slash 2WD Drag & DR10	1978 Chevrolet Malibu-Karosserie: Slash 2WD Drag und DR10	Carrosserie Chevrolet Malibu 1978 : Slash 2 roues motrices de dragster et DR10	Carrozzeria, 1978 Chevrolet Malibu: Slash 2WD Drag & DR10
PRO355000	Clear Body, 1972 Plymouth Barracuda Slash 2WD Drag	Transparente Karosserie, 1972 Plymouth Barracuda Slash 2WD Drag	Carrosserie transparente, Slash 2 roues motrices de dragster Plymouth Barracuda 1972	Carrozzeria trasparente, 1972 Plymouth Barracuda Slash 2WD Drag
PRO636800	No Prep Drag Racing Hood Scoops & Blowers (8)	Ohne Vorbereitung, Drag Racing Hood-Schaukeln und -Gebläse (8)	Souffleries de capot pour course de dragster sans préparation (8)	No Prep Drag, prese dinamiche e di aspirazione da gara (8)
PRO1015717	Hoosier Drag Slick SC MC Drag Racing Tires, SC Rear (2)	Hoosier-Schleppseil SC MC Drag-Rennreifen, SC hinten (2)	Pneus slick SC MC pour course de dragster Hoosier, SC arrière (2)	Ruote da gara Hoosier Drag Slick SC MC Drag, SC posteriori (2)
PRO1015817	Hoosier Drag 2.2" 2WD MC Drag Racing Front Tires (2)	Hoosier-Schleppseil 2.2" 2WD MC Drag-Rennreifen, vorn (2)	Pneus avant pour course de dragster MC 2 roues motrices 2.2" Hoosier (2)	Ruote da gara Hoosier Drag 2.2" 2WD MC Drag, anteriori (2)
PRO10157203	Hoosier Drag Slick SC S3 Drag Racing Tires, SC Rear (2)	Hoosier-Schleppseil SC S3 Drag-Rennreifen, SC hinten (2)	Pneus slick SC S3 pour course de dragster Hoosier, SC arrière (2)	Ruote da gara Hoosier Drag Slick SC S3 Drag, SC posteriori (2)
PRO10158203	Hoosier Drag 2.2" 2WD S3 Drag Racing Front Tires (2)	Hoosier-Schleppseil 2.2" 2WD S3 Drag-Rennreifen, vorn (2)	Pneus avant pour course de dragster S3 2 roues motrices 2.2" Hoosier (2)	Ruote da gara Hoosier Drag 2.2" 2WD S3 Drag, anteriori (2)
PRO10170203	Reaction HP S3 (Soft) Drag Belted Rear Short Course Tires (2)	Reaction HP S3 (weich) Drag Belted Short Course-Hinterreifen (2)	Pneus Short Course arrière ceinturés de dragster Reaction HP S3 (souples) (2)	Ruote cinturate Reaction HP S3 (morbide), SC posteriori (2)
SPM2340	DX3 Smart 3-Channel Transmitter with SR315 Receiver	DX3 Smart 3-Kanal-Sender mit SR315-Empfänger	Émetteur DX3 Smart 3 canaux avec récepteur SR315	Trasmittente DX3 Smart 3 canali con ricevitore SR315
SPMR5115	DX5C Smart 5-Channel DSMR Transmitter Only	DX5C Smart 5-Kanal-DSMR, nur Sender	Émetteur DSMR Smart 5 canaux DX5C uniquement	DX5C Smart 5 canali DSMR solo trasmittente
SPMR52000	DX5 Rugged DSMR Transmitter Only, Orange	Nur DX5 Rugged DSMR-Sender, Orange	Émetteur DX5 robuste DSMR uniquement, orange	DX5 Rugged DSMR solo trasmittente, arancione
SPMSR6100AT	SR6100AT DSMR 6-Channel AVC Telemetry Surface Receiver	SR6100AT DSMR AVC-Telemetrie-Oberflächenempfänger mit 6 Kanälen	Récepteur de surface de télémétrie AVC 6 canaux SR6100AT DSMR	Ricevitore di superficie SR6100AT DSMR 6 canali AVC con telemetria
SPMX50002S100H5	7.4V 5000mAh 2S 100C Smart Hardcase LiPo Battery: IC5	7,4 V 5.000 mAh 2S 100C Smart Li-Po-Akku, Hartschale: IC5	Batterie Li-Po Smart 7,4 V 5 000 mAh 2S 100C, boîtier rigide : IC5	Batteria 7,4 V 5000 mAh 2S 100C Smart Hardcase LiPo: IC5
SPMX50002S100HT	7.4V 5000mAh 2S 100C Smart Race Shorty Hardcase LiPo Battery: Tubes, 5mm	7,4 V 5.000 mAh 2S 100C Smart Race Li-Po-Akku, Shorty-Hartschale: Rohre, 5 mm	Batterie Li-Po Smart Race Shorty 7,4 V 5 000 mAh 2S 100C, boîtier rigide : Tubes, 5 mm	Batteria 7,4 V 5000 mAh 2S 100C Smart Hardcase LiPo, da gara, corta: Tubi, 5 mm
SPMX50002S50H5	7.4V 5000mAh 2S 50C Smart Hardcase LiPo Battery: IC5	7,4 V 5.000 mAh 2S 50C Smart Li-Po-Akku, Hartschale: IC5	Batterie Li-Po Smart 7,4V 5 000 mAh 2S 50C, boîtier rigide : IC5	Batteria 7,4 V 5000 mAh 2S 50C Smart Hardcase LiPo: IC5
SPMXBC100	XBC100 Smart LiPo Battery Checker & Servo Driver	XBC100 Smart-LiPo-Akkuprüfer und Servotreiber	Contrôleur pour batterie Li-Po Smart XBC100 et servomoteur	Tester per batterie LiPo Smart e servomotore XBC100
SPMXC1010	Smart S2100 AC Charger, 2x100W	Smart S2100 Wechselstrom-Ladegerät, 2 x 100 W	Chargeur c.a. Smart S2100, 2 x 100 W	Caricabatterie Smart S2100 CA, 2x100 W

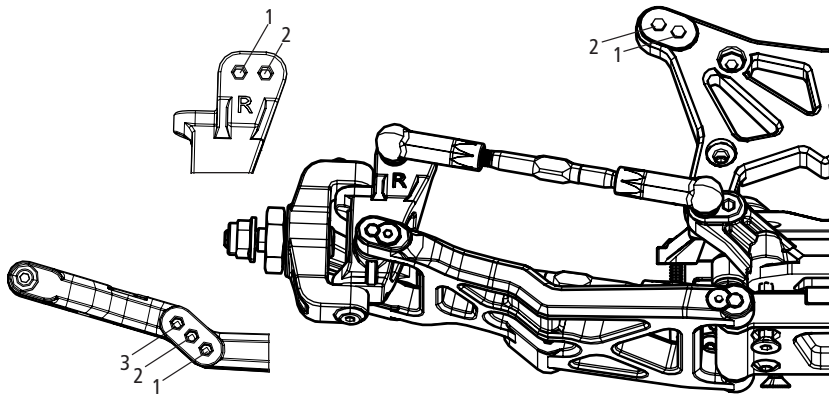
OPTIONAL PARTS // OPTIONALE TEILE // PIÈCES OPTIONNELLES // PARTI OPZIONALI

Part #	English	Deutsch	Français	Italiano
SPMXC1070	S150 AC/DC Smart Charger, 1x50W	S150 Smart-Wechsel-/Gleichstrom-Ladegerät, 1 x 50 W	Chargeur Smart S150 CA/CC, 1x50 W	Caricabatteria S150 CA/CC Smart, 1x50 W
SPMXCA200	Smart ESC Programming Update Box: Avian and Firma	Smart Geschwindigkeitsregler Programmierbox: Avian und Firma	Boîte de programmation de mise à jour pour variateur ESC Smart : Avian et Firma	Box programmazione e aggiornamento ESC Smart: Avian e Firma
SPMXSE1120	Firma 120A Brushless Smart ESC, 4S	Firma 120A bürstenloser Smart-Geschwindigkeitsregler, 4S	Variateur ESC sans balais Smart Firma 120A, 4S	Smart ESC Firma 120A Brushless 4S
TLR332016	48P Aluminum Pinion Gear, 16T	48P Aluminium Zahnradgetriebe, 16T	Engrenage à pignons en aluminium 48P, 16T	Pignone alluminio 48P, 16T
TLR332017	48P Aluminum Pinion Gear, 17T	48P Aluminium Zahnradgetriebe, 17T	Engrenage à pignons en aluminium 48P, 17T	Pignone alluminio 48P, 17T
TLR332018	48P Aluminum Pinion Gear, 18T	48P Aluminium Zahnradgetriebe, 18T	Engrenage à pignons en aluminium 48P, 18T	Pignone alluminio 48P, 18T
TLR332019	48P Aluminum Pinion Gear, 19T	48P Aluminium Zahnradgetriebe, 19T	Engrenage à pignons en aluminium 48P, 19T	Pignone alluminio 48P, 19T
TLR332020	48P Aluminum Pinion Gear, 20T	48P Aluminium Zahnradgetriebe, 20T	Engrenage à pignons en aluminium 48P, 20T	Pignone alluminio 48P, 20T
TLR332021	48P Aluminum Pinion Gear, 21T	48P Aluminium Zahnradgetriebe, 21T	Engrenage à pignons en aluminium 48P, 21T	Pignone alluminio 48P, 21T
TLR332022	48P Aluminum Pinion Gear, 22T	48P Aluminium Zahnradgetriebe, 22T	Engrenage à pignons en aluminium 48P, 22T	Pignone alluminio 48P, 22T
TLR332023	48P Aluminum Pinion Gear, 23T	48P Aluminium Zahnradgetriebe, 23T	Engrenage à pignons en aluminium 48P, 23T	Pignone alluminio 48P, 23T
TLR332024	48P Aluminum Pinion Gear, 24T	48P Aluminium Zahnradgetriebe, 24T	Engrenage à pignons en aluminium 48P, 24T	Pignone alluminio 48P, 24T
TLR332025	48P Aluminum Pinion Gear, 25T	48P Aluminium Zahnradgetriebe, 25T	Engrenage à pignons en aluminium 48P, 25T	Pignone alluminio 48P, 25T
TLR336000	4mm Aluminum Serrated Lock Nuts, Black (6)	4 mm Aluminium Rändelmutter, schwarz (6)	Contre-écrous en aluminium à embase striée 4 mm, noir (6)	Controdado dentato in alluminio 4 mm, nero (6)
TLR336001	4mm Aluminum Serrated Lock Nuts, Blue (6)	4 mm Aluminium Rändelmutter, blau (6)	Contre-écrous en aluminium à embase striée 4 mm, bleu (6)	Controdado dentato in alluminio 4 mm, blu (6)
TLR74004	Silicone Shock Oil, 25 wt, 2 oz	Stoßdämpfer-Silikonöl, 25 wt, 59 ml (2 oz)	Huile de silicone pour amortisseurs, 25 wt, 2 oz	Olio di silicone ammortizzatore, 25 wt, 2 oz
TLR74005	Silicone Shock Oil, 27.5 wt, 2 oz	Stoßdämpfer-Silikonöl, 27,5 wt, 59 ml (2 oz)	Huile de silicone pour amortisseurs, 27,5 wt, 2 oz	Olio di silicone ammortizzatore, 27,5 wt, 2 oz
TLR74006	Silicone Shock Oil, 30 wt, 2 oz	Stoßdämpfer-Silikonöl, 30 wt, 59 ml (2 oz)	Huile de silicone pour amortisseurs, 30 wt, 2 oz	Olio di silicone ammortizzatore, 30 wt, 2 oz
TLR74008	Silicone Shock Oil, 35 wt, 2 oz	Stoßdämpfer-Silikonöl, 35 wt, 59 ml (2 oz)	Huile de silicone pour amortisseurs, 35 wt, 2 oz	Olio di silicone ammortizzatore, 35 wt, 2 oz
TLR74009	Silicone Shock Oil, 37.5 wt, 2 oz	Stoßdämpfer-Silikonöl, 37,5 wt, 59 ml (2 oz)	Huile de silicone pour amortisseurs, 37,5 wt, 2 oz	Olio di silicone ammortizzatore, 37,5 wt, 2 oz
TLR74020	Shock Oil, 6Pk, 20, 25, 30, 35, 40, 45, 2oz	Schock öl, 20, 25, 30, 35, 40, 45; 6er Pack: 2 Unzen	Huile d'amortisseur, 20, 25, 30, 35, 40, 45; Paquet de 6: 2 onces	Olio shock, 20, 25, 30, 35, 40, 45; Confezione da 6: 2 once
TLR74021	Shock Oil, 6Pk, 50, 60, 70, 80, 90, 100, 2oz	Schock öl, 50, 60, 70, 80, 90, 100; 6er Pack: 2 Unzen	Huile d'amortisseur, 50, 60, 70, 80, 90, 100; Paquet de 6: 2 onces	Olio shock, 50, 60, 70, 80, 90, 100; Confezione da 6: 2 once
TLR75001	Silicone Diff Fluid, 40,000 CS	Differenzial-Silikonflüssigkeit, 40.000 CS	Liquide silicone pour différentiel, 40 000 CS	Fluido silicónico diferencial, 40.000 CS
TLR75002	Silicone Diff Fluid, 60,000 CS	Differenzial-Silikonflüssigkeit, 60.000 CS	Liquide silicone pour différentiel, 60 000 CS	Fluido silicónico diferencial, 60.000 CS
TLR75003	Silicone Diff Fluid, 80,000 CS	Differenzial-Silikonflüssigkeit, 80.000 CS	Liquide silicone pour différentiel, 80 000 CS	Fluido silicónico diferencial, 80.000 CS
TLR75004	Silicone Diff Fluid, 100,000 CS	Differenzial-Silikonflüssigkeit, 100.000 CS	Liquide silicone pour différentiel, 100 000 CS	Fluido silicónico diferencial, 100.000 CS
TLR75009	Silicone Diff Fluid, 500,000 CS	Differenzial-Silikonflüssigkeit, 500.000 CS	Liquide silicone pour différentiel, 500 000 CS	Fluido silicónico diferencial, 500.000 CS
TLR76004	TLR Lok, Threadlock, Blue	Reifenklebemittel, Standard	Colle à pneus, standard	Colla pneumatici, standard
TLR76007	Tire Glue, Standard	TLR Lok, Schraubensicherung, blau	Verrou TLR, frein-filet, bleu	TLR Lok, frenafili, blu
TLR331041	Rear Brass Weight Set, 16g & 25g: 22 5.0	Heck Gewicht, Satz, Messing, 16 g & 25 g: 22 5.0	Ensemble de poids arrière en laiton, 16 et 25 g : 22 5.0	Set peso ottone posteriore, 16 e 25 g: 22 5.0

Name:	Date:	Event:	Track:
Track Conditions			
<input type="checkbox"/> Unprepped Asphalt	<input type="checkbox"/> Unprepped Concrete	<input type="checkbox"/> Smooth	<input type="checkbox"/> Rough
<input type="checkbox"/> Swept	<input type="checkbox"/> Prepped Launch	<input type="checkbox"/> Flashlight	<input type="checkbox"/> Christmas Tree
Tire Type: <input type="checkbox"/> Belted <input type="checkbox"/> Drag Radial <input type="checkbox"/> Modified			Notes: _____

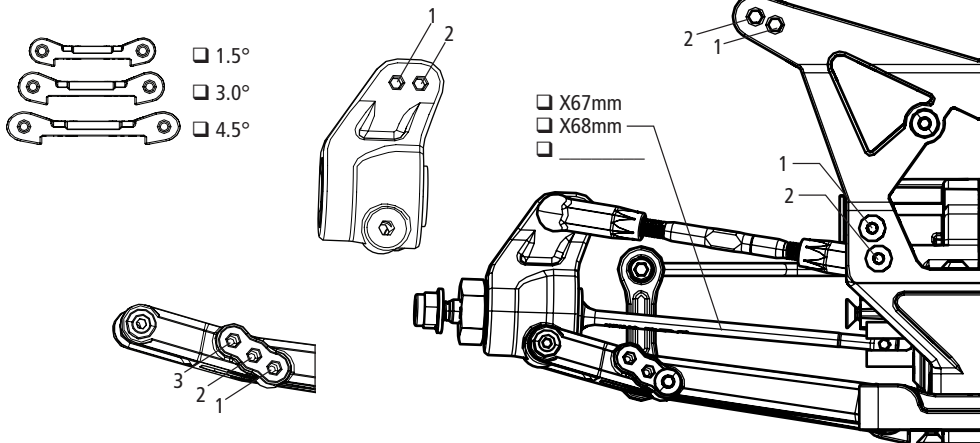
Front Suspension

Ride Height		mm
Camber	°	
Toe	°	
Notes:	_____	



Rear Suspension

Ride Height		mm
Camber	°	
Sway Bar	mm	
Notes:	_____	

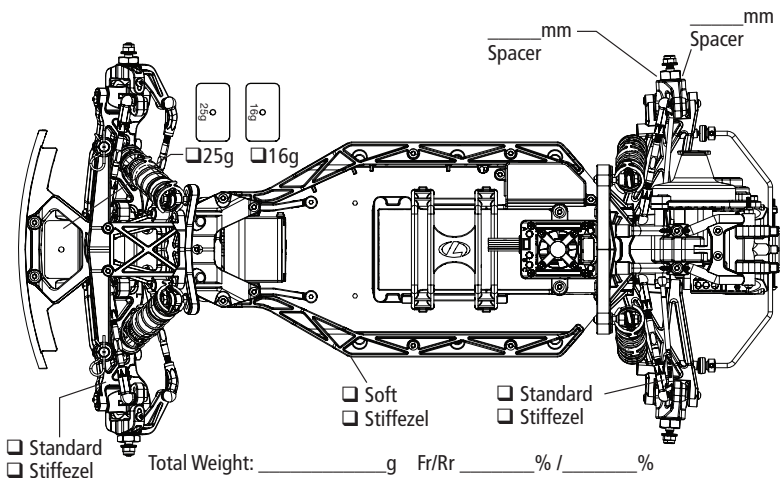


Chassis

Differentials		Aerodynamics		Tires		
	Rear	Body			Front	Rear
Fluid		Fr Scoop		Brand		
Int Gears	<input type="checkbox"/> Stl <input type="checkbox"/> Comp	Rr Wing		Tread		
Weight	g	Wheelie Bar		Compound		
Ring/Pin	<input type="checkbox"/> Stl <input type="checkbox"/> Comp	Wheelie Bar Height	°	Insert		
Slipper Pads		Notes		Sauce		
				Wheel		
				Notes		

Shocks

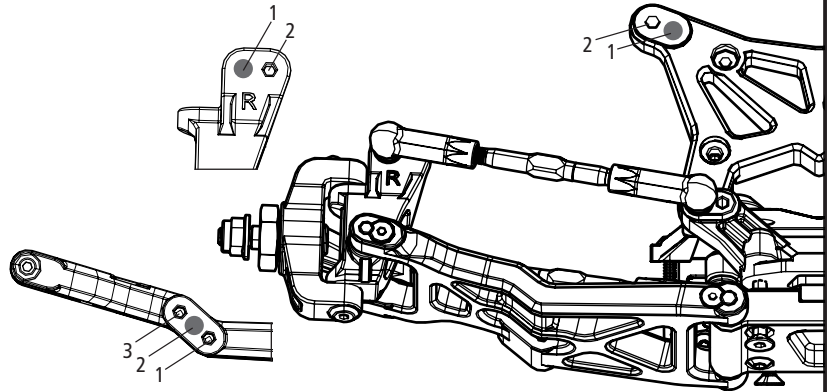
	Front	Rear
	Shock Caps	
	Oil	
	Piston <input type="checkbox"/> Thin	<input type="checkbox"/> Thin
	Limiters, Int _____ mm	_____ mm
	Shaft Dia <input type="checkbox"/> 3.0mm <input type="checkbox"/> 3.5mm	<input type="checkbox"/> 3.0mm <input type="checkbox"/> 3.5mm
	Limiters, Ext _____ mm	_____ mm
	Stroke _____ mm	_____ mm
	Eyelet <input type="checkbox"/> Std <input type="checkbox"/> +2mm	<input type="checkbox"/> Std <input type="checkbox"/> +2mm
	Spring	
	Spring Cup <input type="checkbox"/> Low <input type="checkbox"/> Mid <input type="checkbox"/> High	<input type="checkbox"/> Low <input type="checkbox"/> Mid <input type="checkbox"/> High



Name:	Date:	Event:	Track:
Track Conditions			
<input type="checkbox"/> Unprepped Asphalt	<input type="checkbox"/> Unprepped Concrete	<input type="checkbox"/> Smooth	<input type="checkbox"/> Rough
<input type="checkbox"/> Swept	<input type="checkbox"/> Prepped Launch	<input type="checkbox"/> Flashlight	<input type="checkbox"/> Christmas Tree
Tire Type: <input type="checkbox"/> Belted <input checked="" type="checkbox"/> Drag Radial <input type="checkbox"/> Modified			Notes: _____

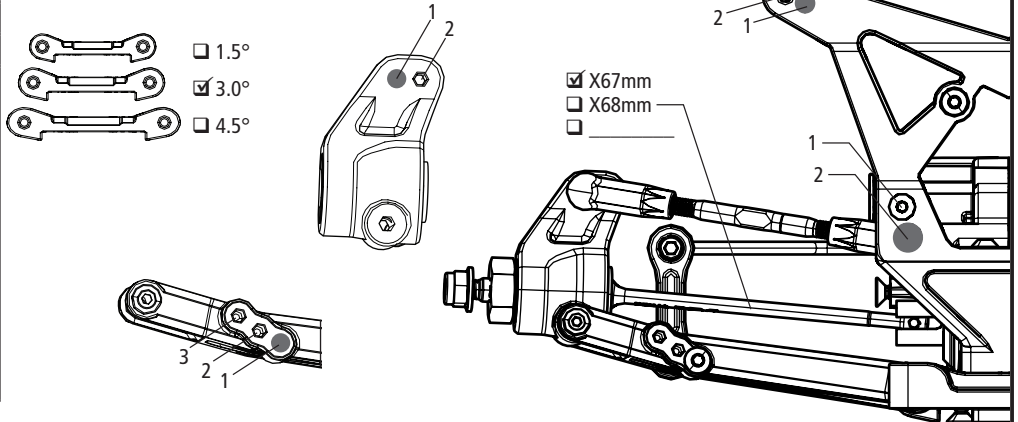
Front Suspension

Ride Height	12	mm
Camber	0°	
Toe	-2°	
Notes: _____		



Rear Suspension

Ride Height	20	mm
Camber	1°	
Sway Bar	Not Used	mm
Notes: _____		

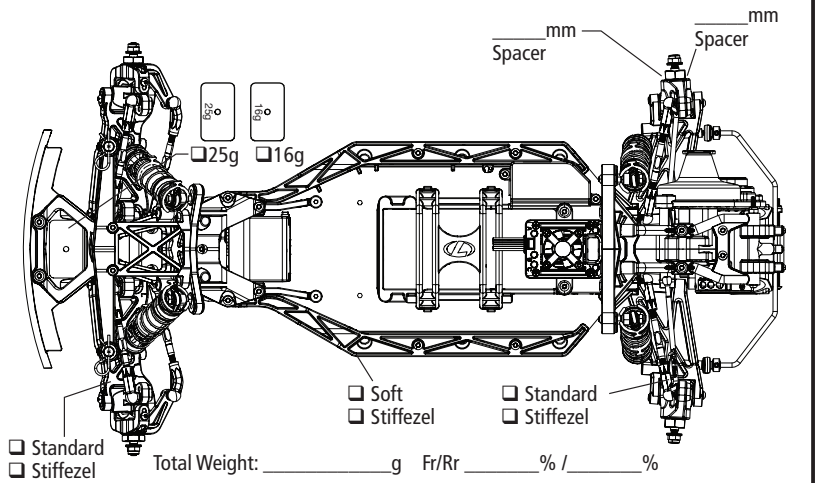


Chassis

Differentials	Rear	Aerodynamics	Tires	
Fluid	500,000wt	Body		
Int Gears	<input type="checkbox"/> Stl <input type="checkbox"/> Comp	Fr Scoop	None	None
Weight	g	Rr Wing	Stock	Stock
Ring/Pin	<input type="checkbox"/> Stl <input type="checkbox"/> Comp	Wheelie Bar	Stock	Stock
Slipper Pads		Wheelie Bar Height	20mm	20mm
		Notes		
			Losi	Losi
			MT Drag Radial Grooved	MT Drag Radial
			Losi Drag	Losi Drag
			Foam	Foam
			None	None

Shocks

	Front	Rear
	Plastic	Plastic
	40wt	70wt
	2x1.6mm <input type="checkbox"/> Thin	2x1.6mm <input type="checkbox"/> Thin
	12 mm	15 mm
	<input type="checkbox"/> 3.0mm <input checked="" type="checkbox"/> 3.5mm	<input type="checkbox"/> 3.0mm <input checked="" type="checkbox"/> 3.5mm
	None mm	None mm
	mm	mm
	<input checked="" type="checkbox"/> Std <input type="checkbox"/> +2mm	<input checked="" type="checkbox"/> Std <input type="checkbox"/> +2mm
	<input type="checkbox"/> Low <input checked="" type="checkbox"/> Mid <input type="checkbox"/> High	<input type="checkbox"/> Low <input checked="" type="checkbox"/> Mid <input type="checkbox"/> High



Standard Stiffezel
 Stiffezel Standard Stiffezel
 Total Weight: _____ g Fr/Rr _____ % / _____ %



WWW.LOSI.COM

©2021 Horizon Hobby, LLC.

Losi, 22S, DSMR, Firma, IC5, and the Horizon Hobby logo are trademarks or registered trademarks of Horizon Hobby, LLC. The Spektrum trademark is used with permission of Bachmann Industries, Inc.

Created 03/21

130639

LOS03041