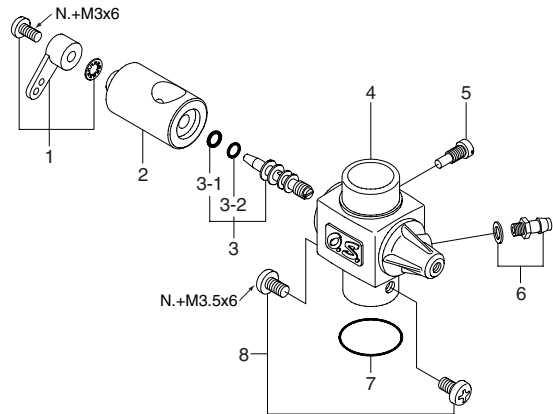
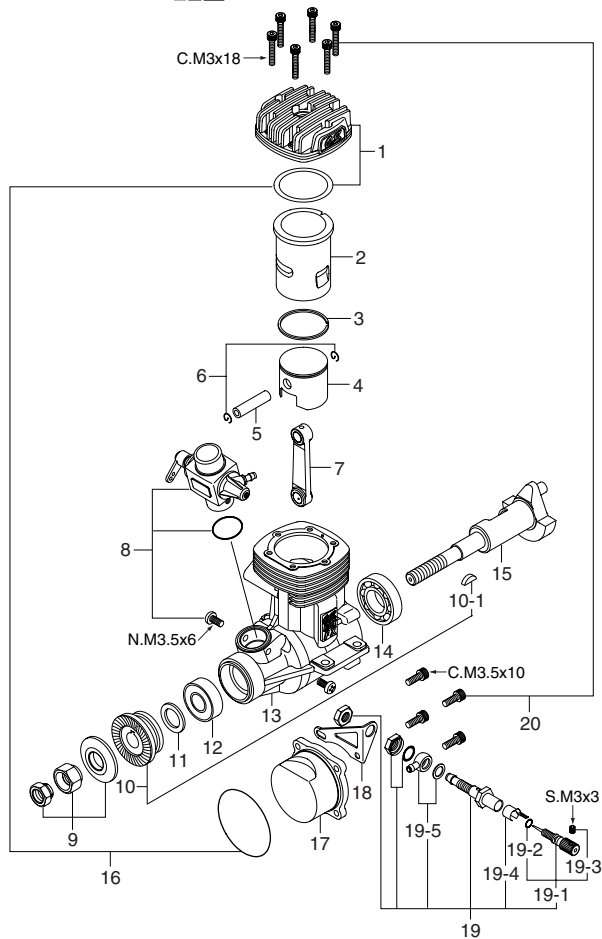


## MAX-160FXRING

(19260)

## TYPE 60F

(29581000)



\* Type of screw

C...Cap Screw M...Oval Fillister-Head Screw

F...Flat Head Screw N...Round Head Screw S...Set Screw

| No.  | Code No. | Description                    |
|------|----------|--------------------------------|
| 1    | 29604000 | Cylinder Head                  |
| 2    | 29603100 | Cylinder Liner                 |
| 3    | 29603400 | Piston Ring                    |
| 4    | 29603200 | Piston                         |
| 5    | 29606000 | Piston Pin                     |
| 6    | 28117000 | Piston Pin Retainers (2pcs.)   |
| 7    | 29405000 | Connecting Rod                 |
| 8    | 29581000 | Carburetor Complete (Type 60F) |
| 9    | 29610100 | Propeller Lock Nut Set         |
| 10   | 29608000 | Drive Hub                      |
| 10-1 | 45508200 | Woodruff Key                   |
| 11   | 29320000 | Thrust Washer                  |
| 12   | 46231000 | Crankshaft Ball Bearing (F)    |
| 13   | 29601000 | Crankcase                      |
| 14   | 29630000 | Crankshaft Ball Bearing (R)    |
| 15   | 29602000 | Crankshaft                     |
| 16   | 29614000 | Gasket Set                     |
| 17   | 29607000 | Cover Plate                    |
| 18   | 71704240 | Remote Needle Valve Bracket    |
| 19   | 28282000 | Remote Needle Valve Assembly   |
| 19-1 | 28281970 | Needle Assembly                |
| 19-2 | 24981837 | "O" Ring (2pcs.)               |
| 19-3 | 26381501 | Set Screw                      |
| 19-4 | 26711305 | Ratchet Spring                 |
| 19-5 | 46181950 | Fuel Outlet                    |
| 20   | 29613000 | Screw Set                      |
|      | 71608001 | Glow Plug No.8                 |
|      | 29325000 | E-5010 Silencer Assembly       |
|      | 29325300 | Assembly Screw                 |
|      | 29325400 | Retaining Screw (C.M5x20)      |
|      | 29326000 | Exhaust Adaptor                |

| No. | Code No. | Description                    |
|-----|----------|--------------------------------|
| 1   | 27881400 | Throttle Lever Assembly        |
| 2   | 29581200 | Carburetor Rotor               |
| 3   | 45582300 | Mixture Control Valve Assembly |
| 3-1 | 46066319 | "O" Ring (L)                   |
| 3-2 | 24881824 | "O" Ring (S)                   |
| 4   | 29581100 | Carburetor Body                |
| 5   | 45581820 | Rotor Guide Screw              |
| 6   | 22681953 | Fuel Inlet (No.1)              |
| 7   | 29015019 | Carburetor Gasket              |
| 8   | 25081700 | Carburetor Fixing Screw        |

### O.S. GENUINE PARTS & ACCESSORIES

| Code No. | Description   |
|----------|---|
| 71920000 | Radial Motor Mount                                    |
| 72200080 | Needle Valve Extension Cable Set                      |
| 72200130 | Booster Terminal Kit                                  |
| 29310110 | 3/8" -M5(S) Propeller Locknut Set For Truturn Spinner |
| 71531000 | Non-Bubble Weight                                     |
| 72403050 | Super Filter (L)                                      |
| 79870050 | M5 Blind Nut (10pcs.)                                 |
| 55500004 | M5 Lock Washer (10sets)                               |
| 79871070 | M3.5x10 Cap Screw Set (10pcs.)                        |
| 71521000 | Long Socket With Plug Grip                            |