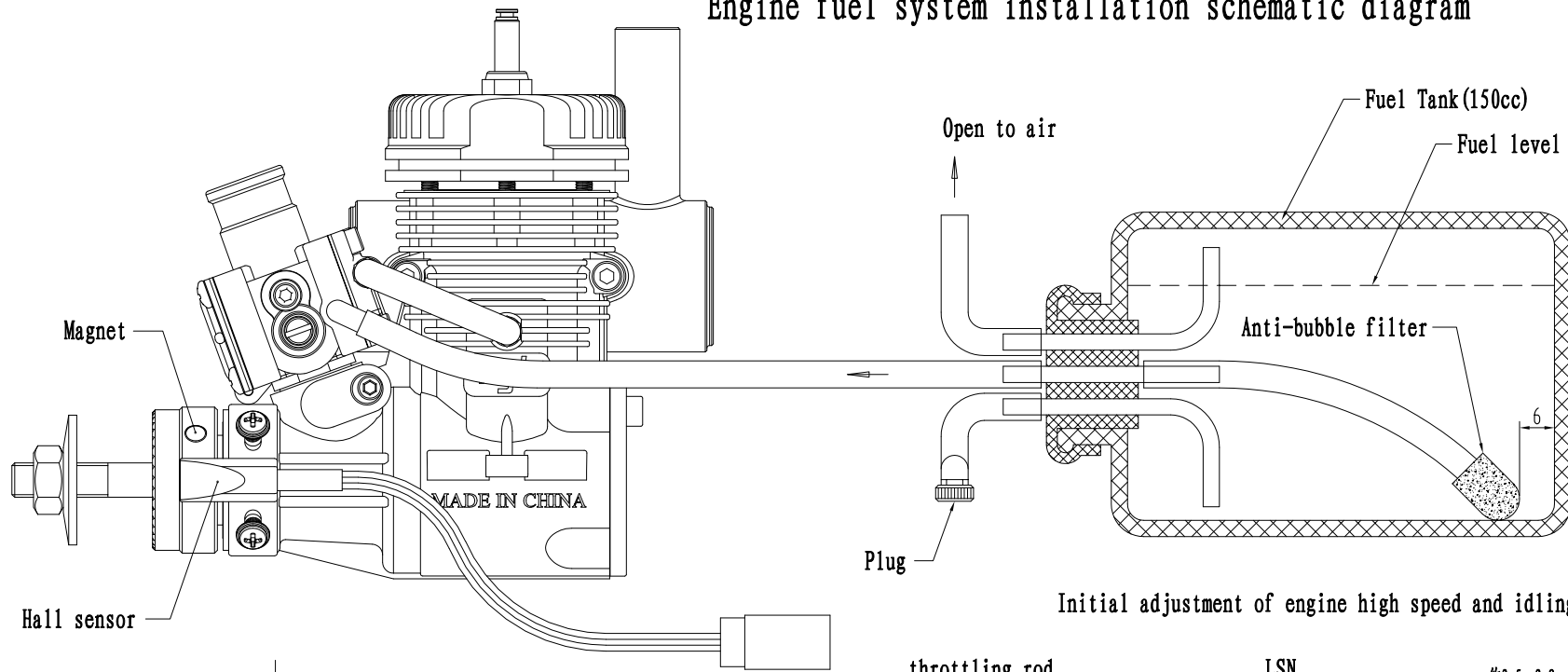
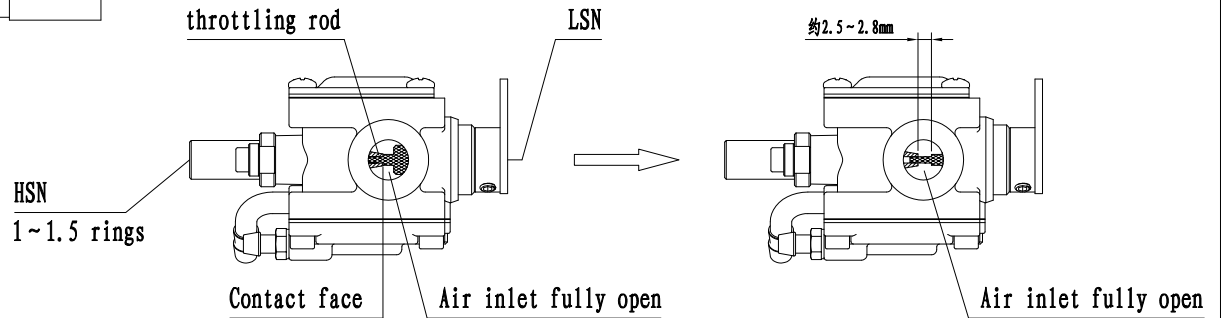
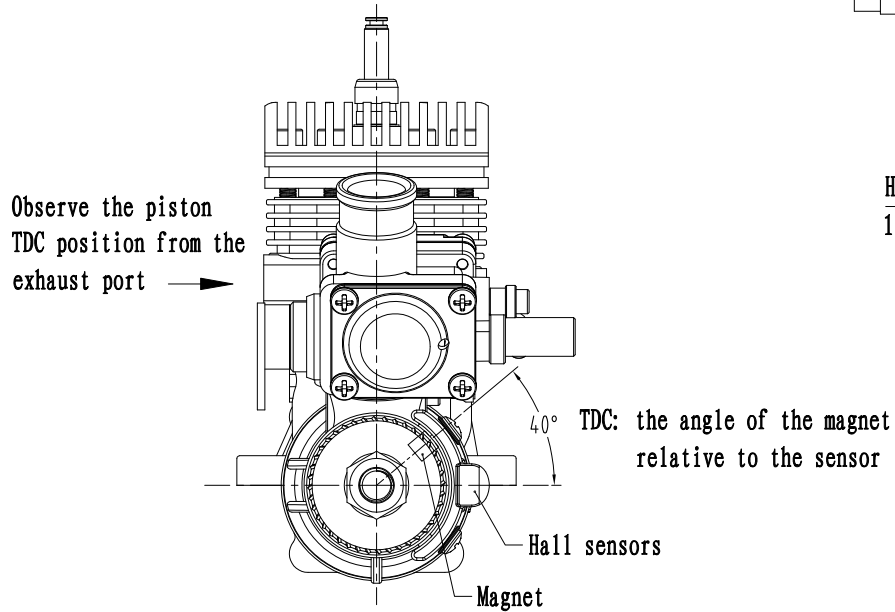


Engine fuel system installation schematic diagram

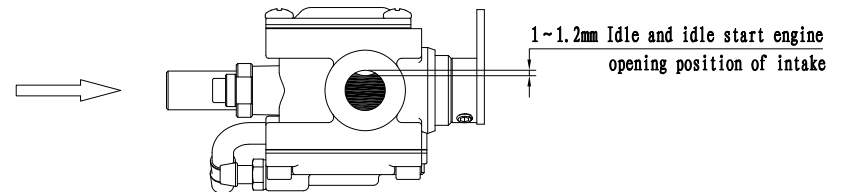


Initial adjustment of engine high speed and idling speed



Step 1: Is to adjust the LSN, so that the LSN step face and throttling rod end face just in contact.

Step 2: On the basis of the first step will be LSN back 5~5.5 rings



Step 3: When idle and idle start engine, air inlet closed to 1~1.2 mm position.