

Plastic model kit containing 320 parts. Includes standard and bulged bomb bay, and Cookie bomb

Wing span: 515mm Length: 389mm

1/32
SCALE



De Havilland Mosquito

B Mk.IV Series II

The Mosquito was probably one of the RAF's most versatile aircraft designs, and indeed, an aircraft that we may never have had at all if it wasn't for the perseverance of its designer, Geoffrey de Havilland. It was actually the simplicity of de Havilland's design that could well have seen the project being stillborn. To meet Air Ministry requirements for a high-speed bomber, de Havilland proposed a new airframe, composed mainly of non-strategic materials, and powered by twin Rolls Royce Merlin engines. Unlike designs which were submitted by other manufacturers, de Havilland envisaged that his machine would be fast enough to be totally unarmed, and with a smooth, aerodynamic exterior. For the Air Ministry, this perhaps seemed a little too much like a flight of fancy, and de Havilland was asked to simply act as a contractor for designs from other manufacturers.

Undeterred, Geoffrey de Havilland took on the his design under a private venture arrangement, using a small design team led by Eric Bishop, and work began under strict secrecy at Salisbury Hall, Hertfordshire, in October 1939. The aircraft was to be designated 'DH.98'. Even though de Havilland's proposal was for an unarmed bomber, his team created a design, which would allow the installation of four, forward firing cannon that would sit in the forward belly of the aircraft, and fire through blast tubes.

With the war now in full swing, and changes in Air Ministry requirements, which saw a general acceptance of the DH.98 for a reconnaissance role, a full size mock-up was inspected by the Air Ministry in December 1939; only 2 months after the project began in secrecy. The foot was now firmly in the doors, and from this point, the Air Ministry made demands of the DH.98 which saw it being developed for a high speed bomber and also fighter role. The Mosquito, as it soon came to be known, was one of the most versatile airframes in frontline service, with it eventually being used for roles such as night-fighter, long-range fighter, photo-recon, fast bomber, and maritime strike aircraft.

No potted history of the Mosquito can be complete without a few words about its construction. The main airframe itself was composed of wood, with the fuselage being formed over a concrete buck, as halves, using a sandwich of balsa in between birch layers. These rigid shells required no internal framework, and once fitted out, were glued together and strengthened by simple bulkheads. The wings were also all-wood, being constructed from spruce and plywood, mainly. This highly successful design was also operated by the US, as well as Canada, Australia, China, France and New Zealand etc. and nearly 8000 had been built by the time production ceased in 1950.

- | | | |
|--|--|--|
|  BE CAREFUL |  REMOVE |  GLUE TOGETHER |
|  PLEASE WAIT FOR A FEW MINUTES UNTIL DRY |  MAKE 2 PIECES |  DRILL HOLE |
|  DO NOT GLUE |  INSTANT GLUE FOR METAL |  BEND |
|  FILL HOLE |  SEQUENCE OF WORK |  OPTIONAL |
|  USED COLOUR |  APPLY DECAL |  MARKING OPTION |

CAUTION

When using both glue and paint, do not use these near an open flame, due to the flammable properties of these items.

The symbols provided, such as 'X', refer to the basic colours of parts, although a more comprehensive list is supplied for your use for Tamiya, Mr Hobby and AK-Interactive codes.

When removing parts from sprues, take extreme care. Consider correct tools such as Xuron Sprue Cutters

Please check the symbology on the left and familiarise yourself before building this model kit.

In cooperation with:



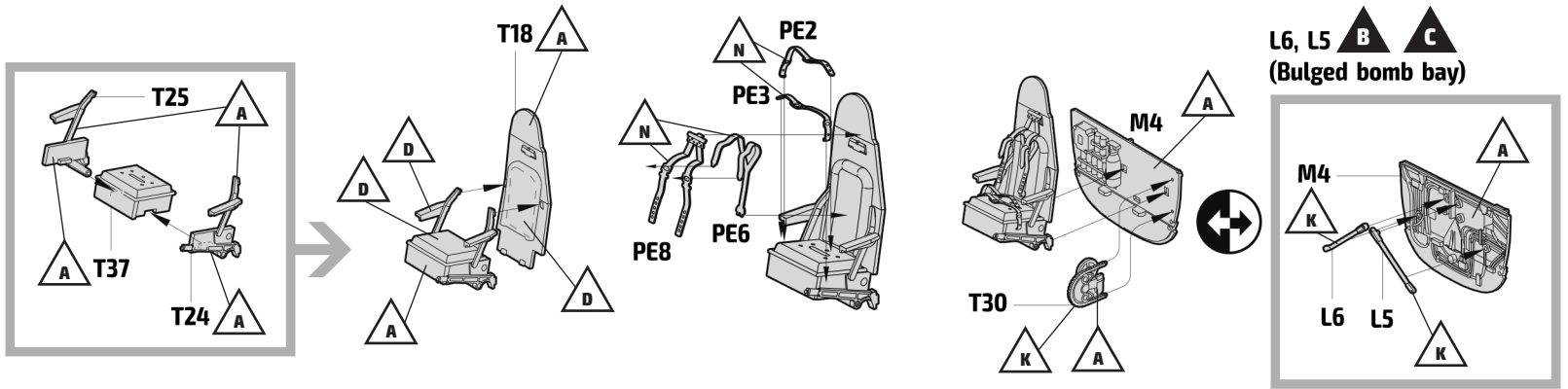
www.ak-interactive.com



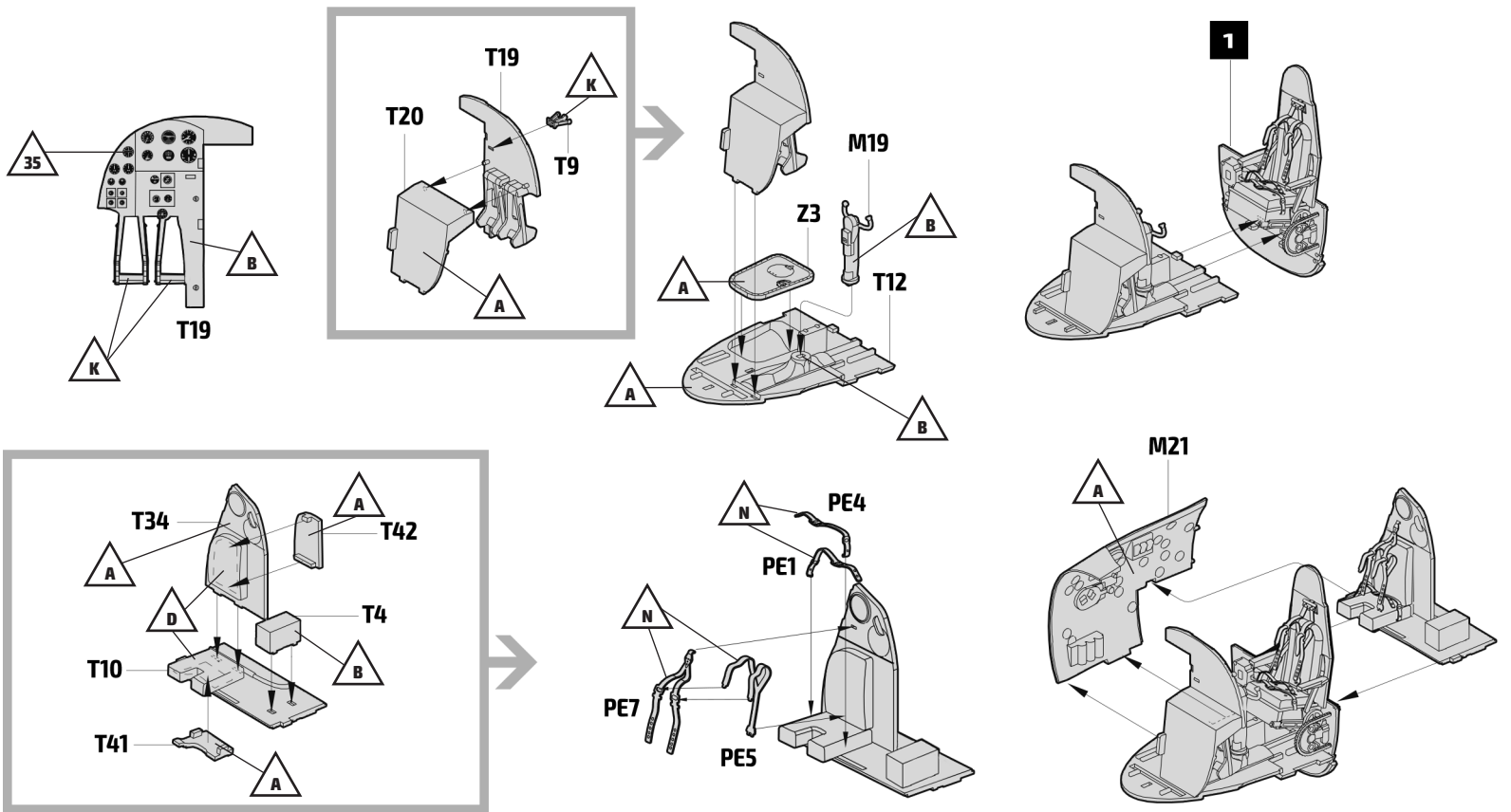
Large Scale Modeller

www.largescalemodeller.com

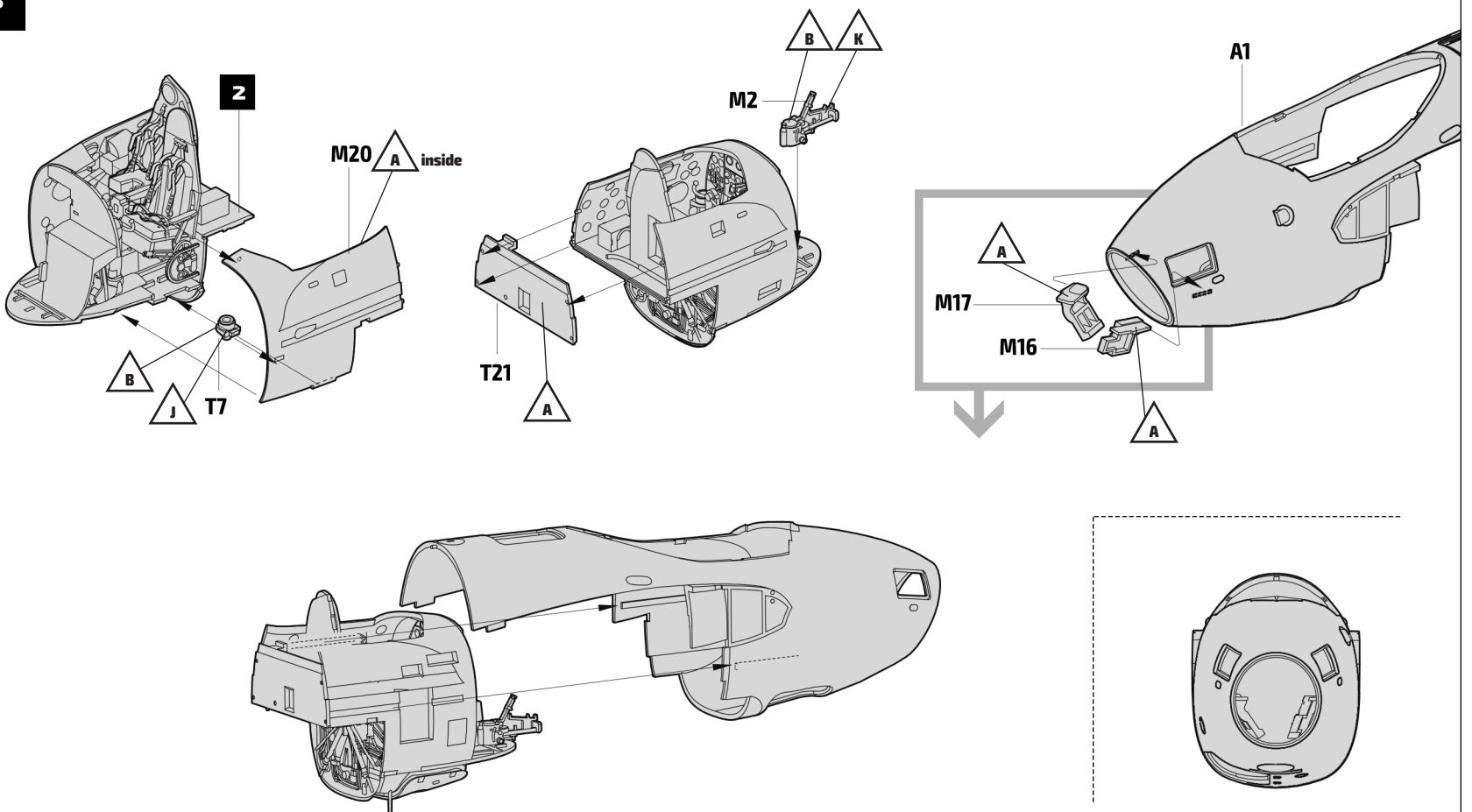
1

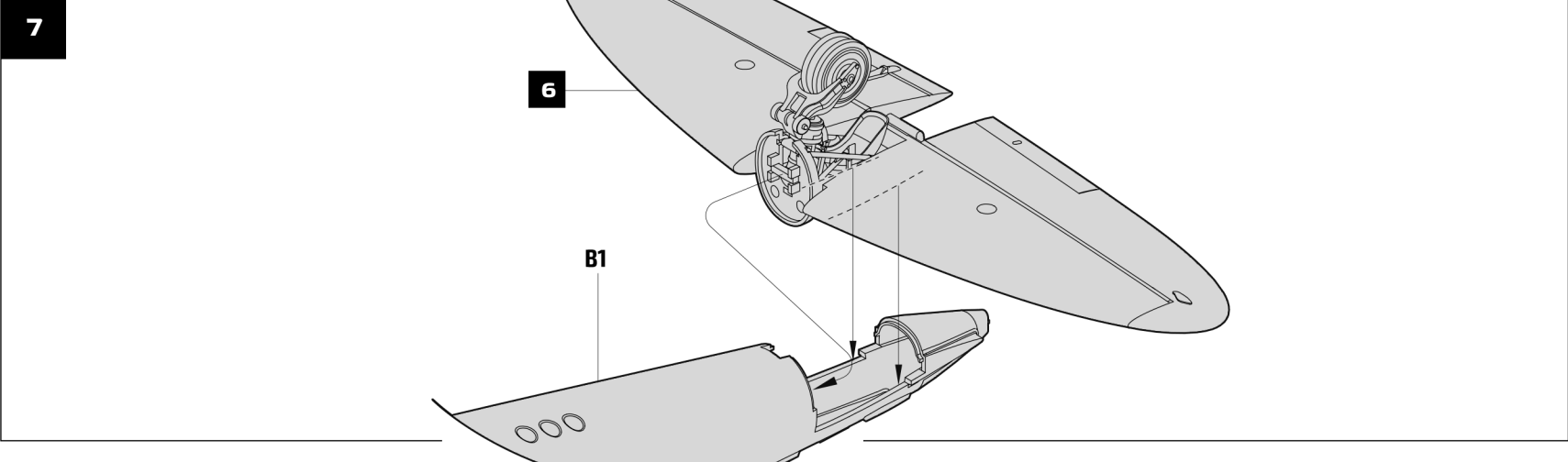
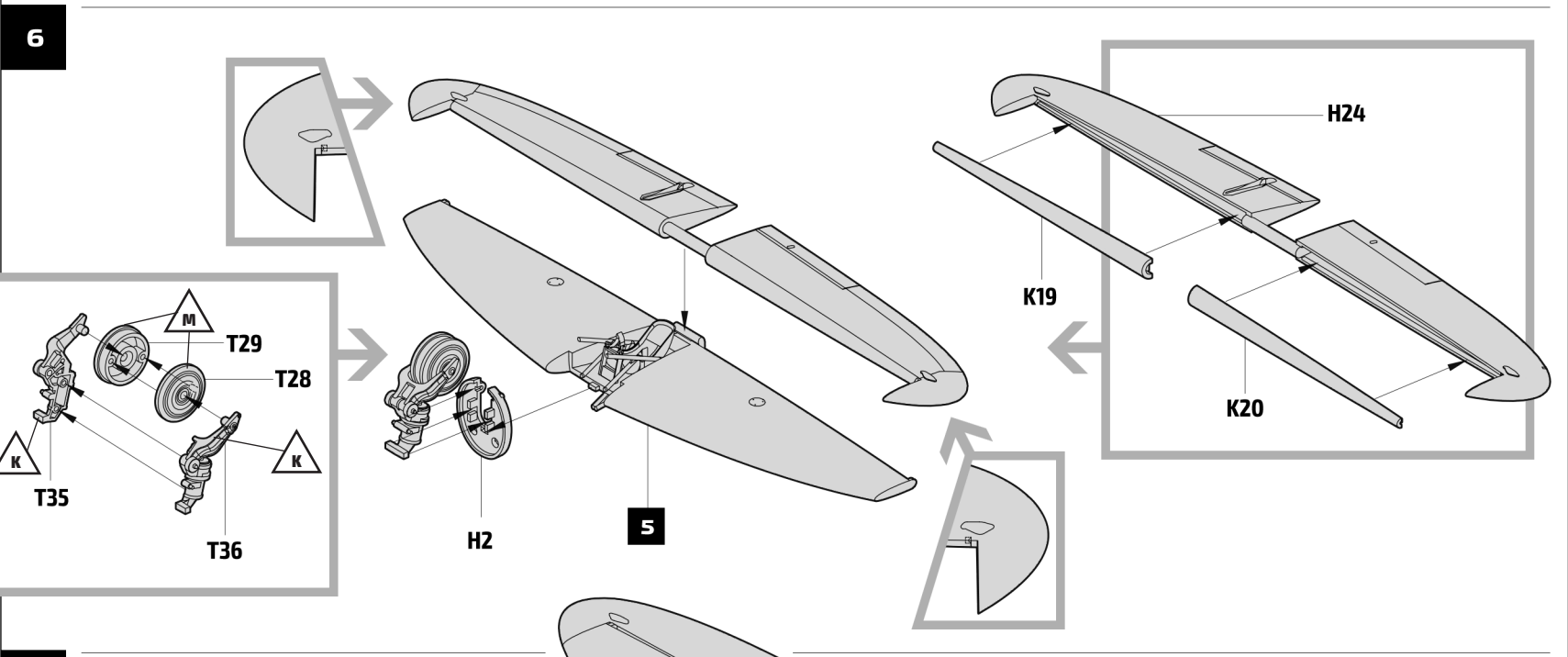
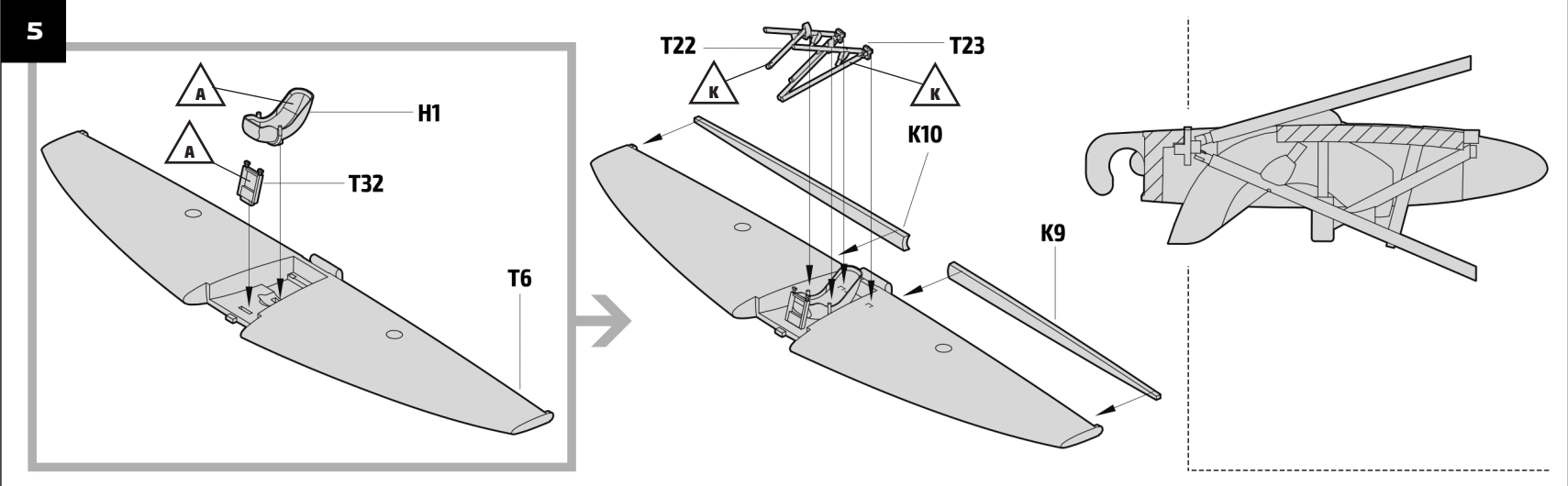
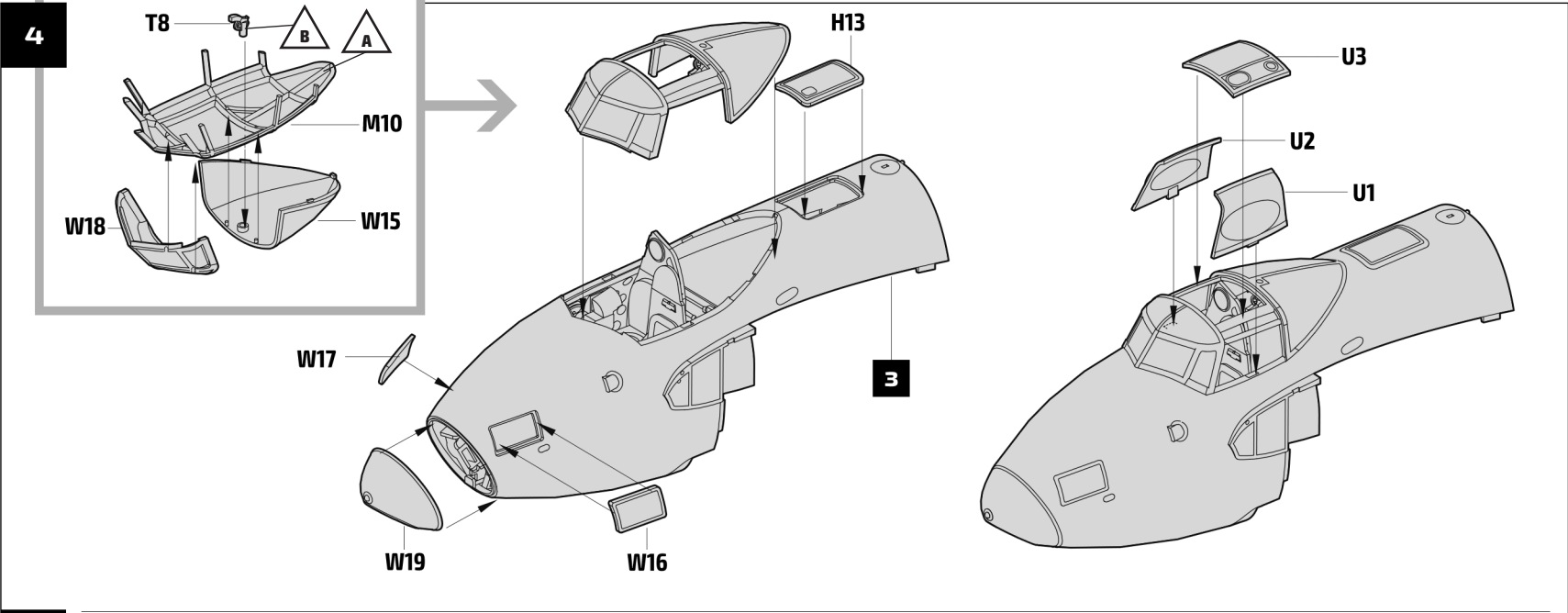


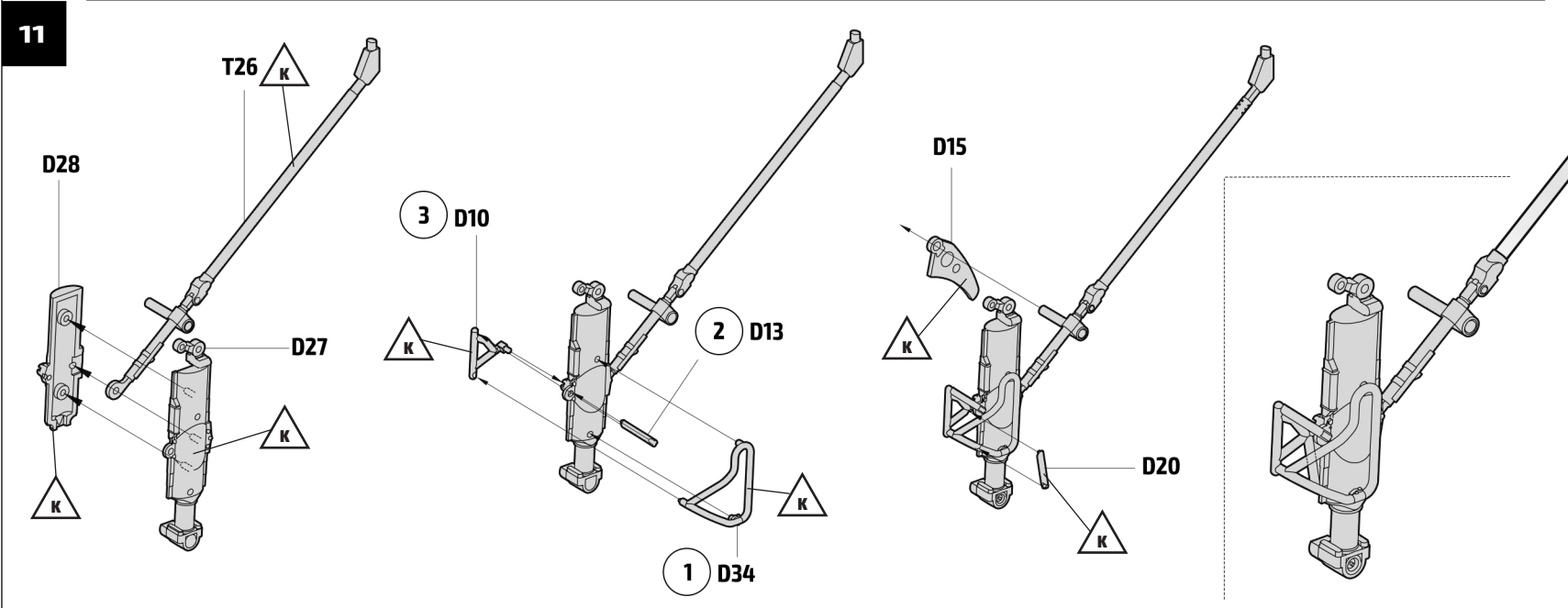
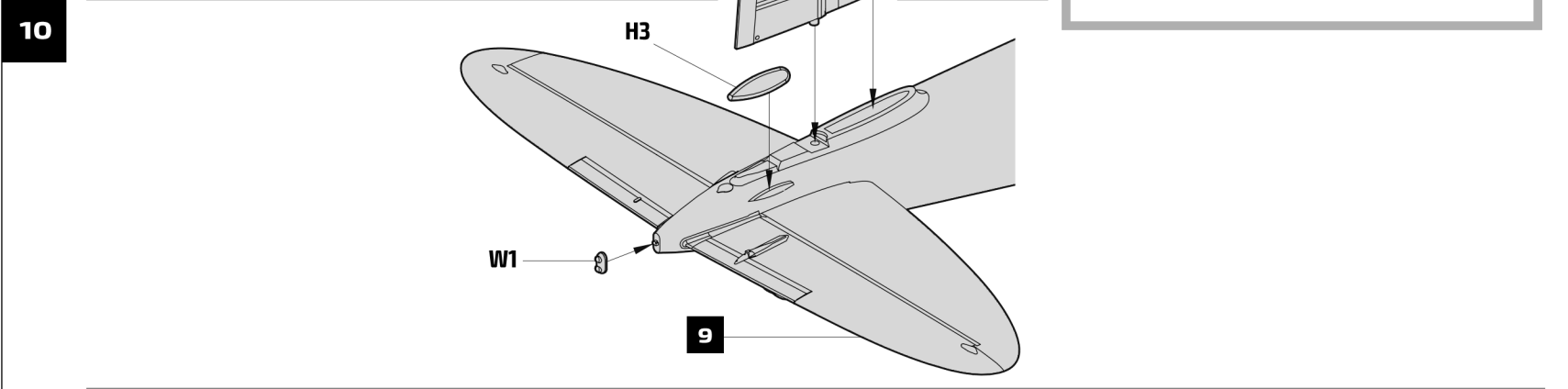
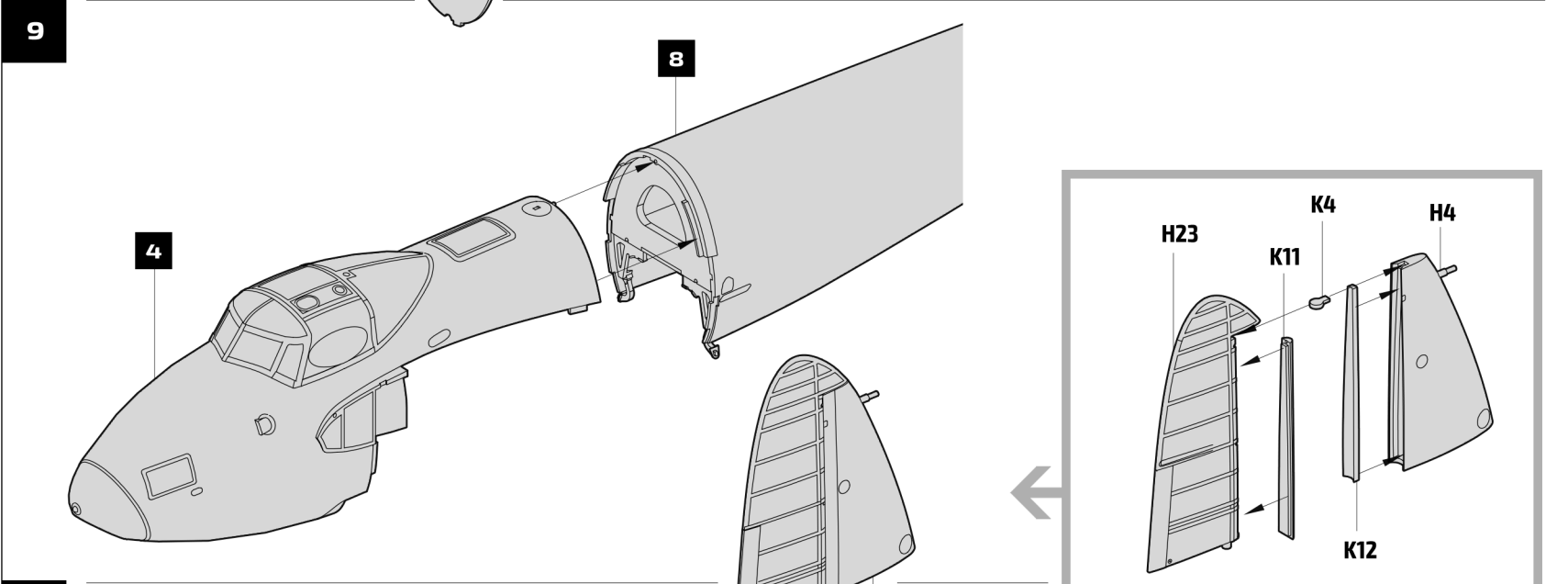
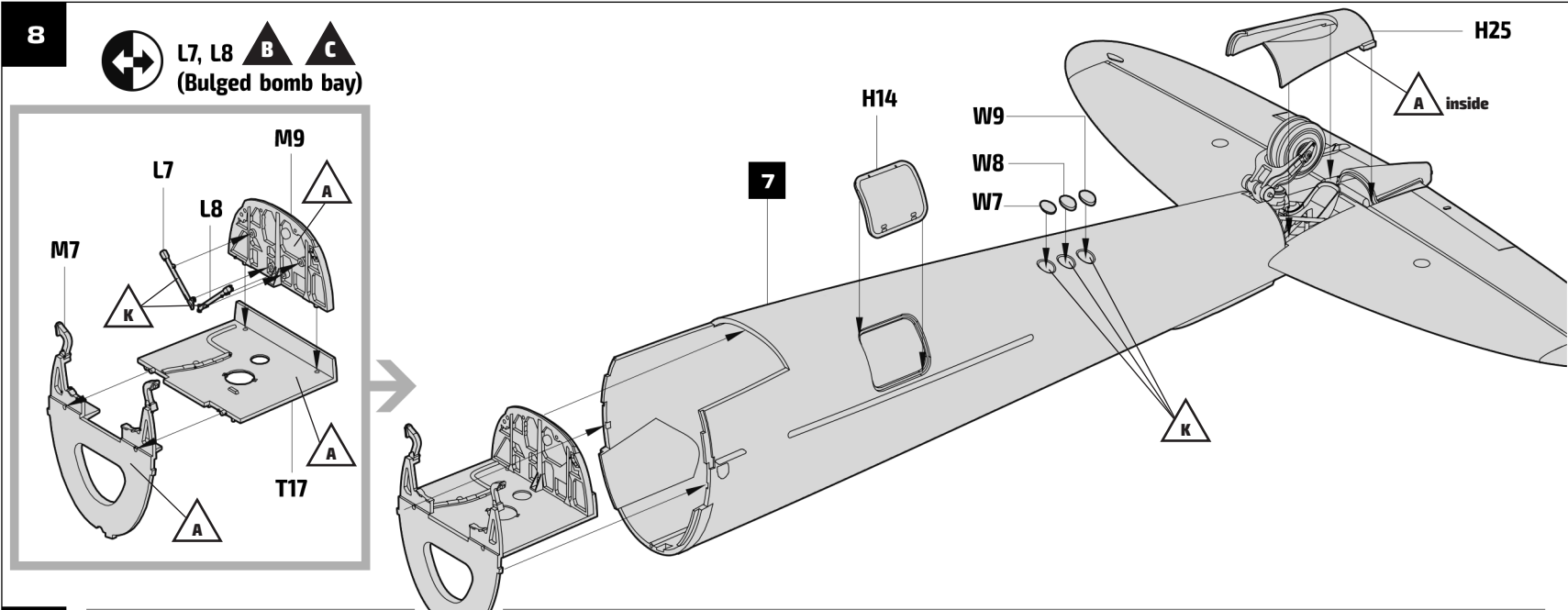
2



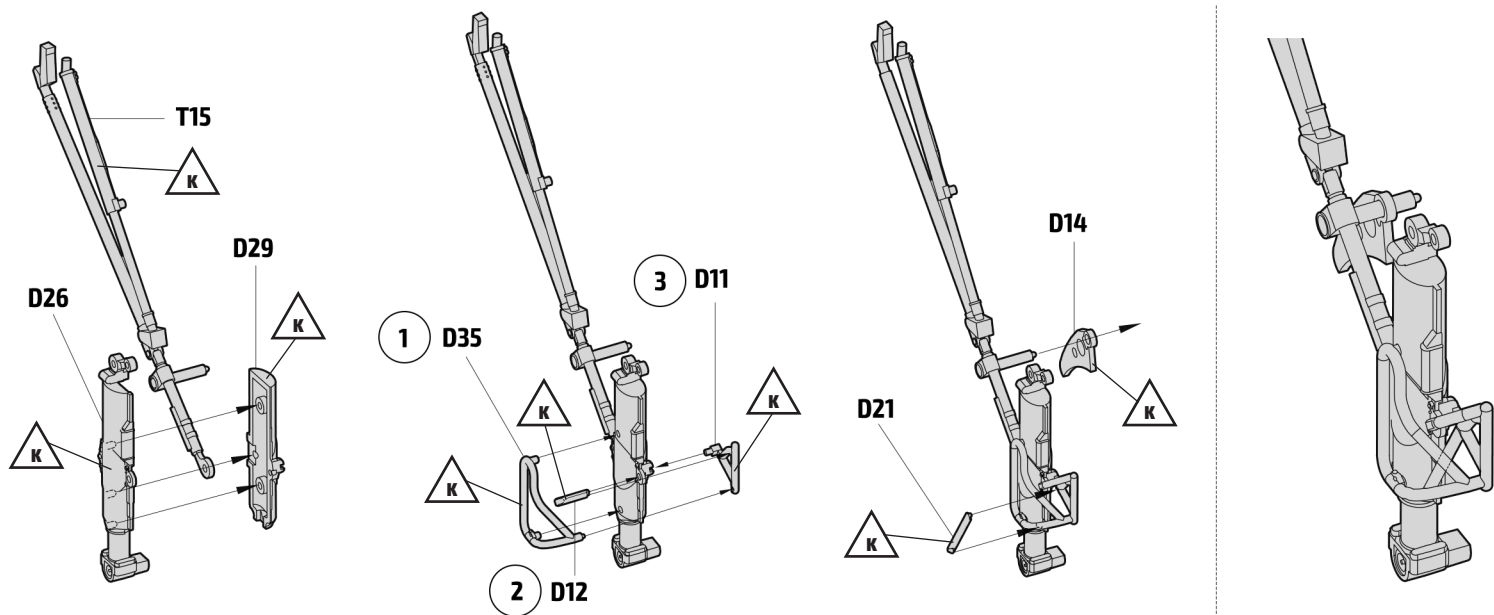
3



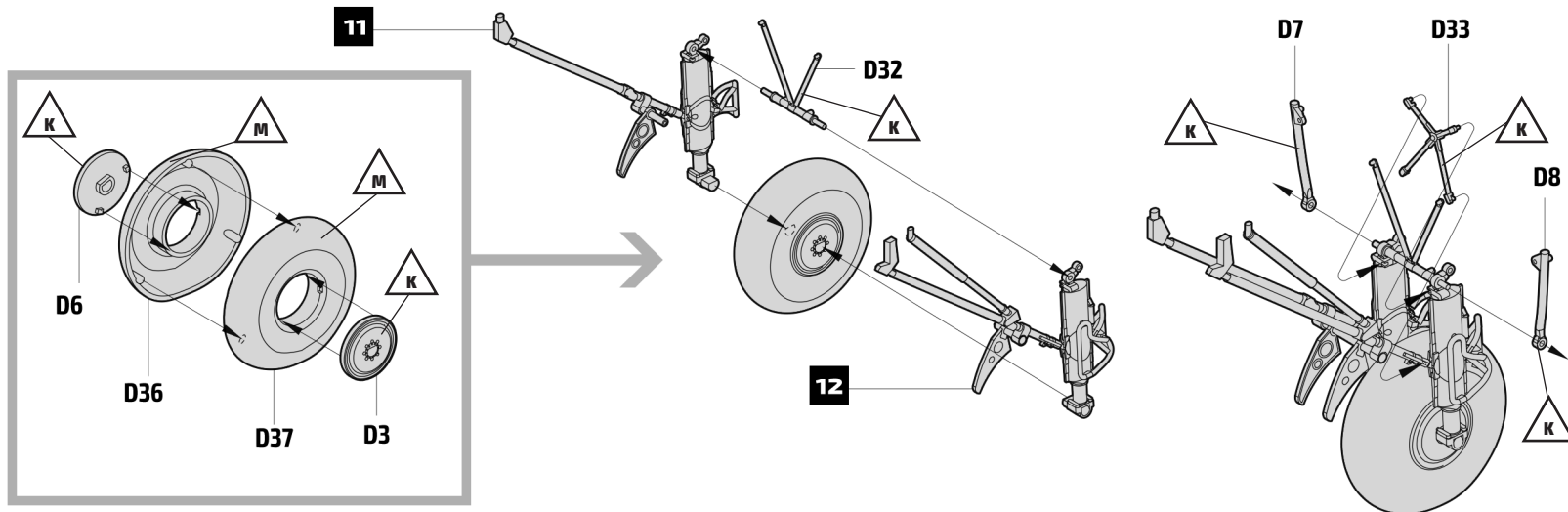




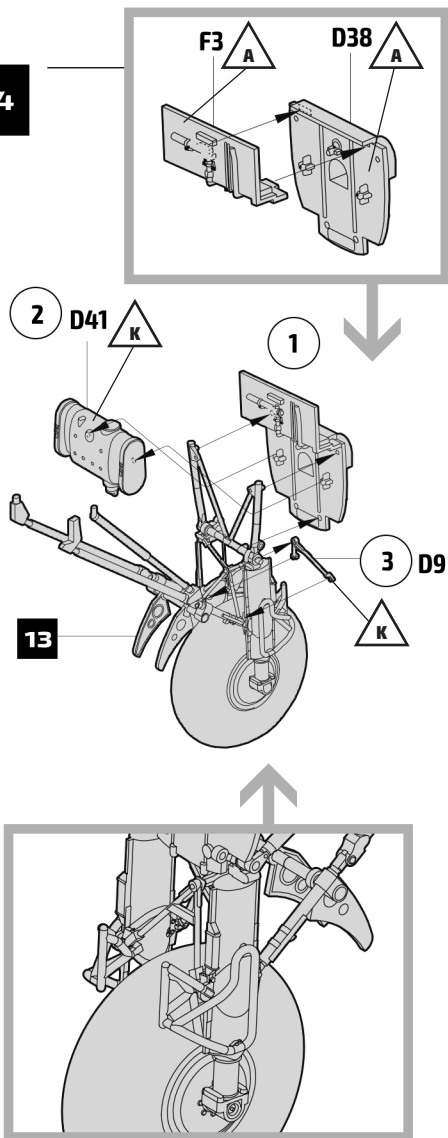
12



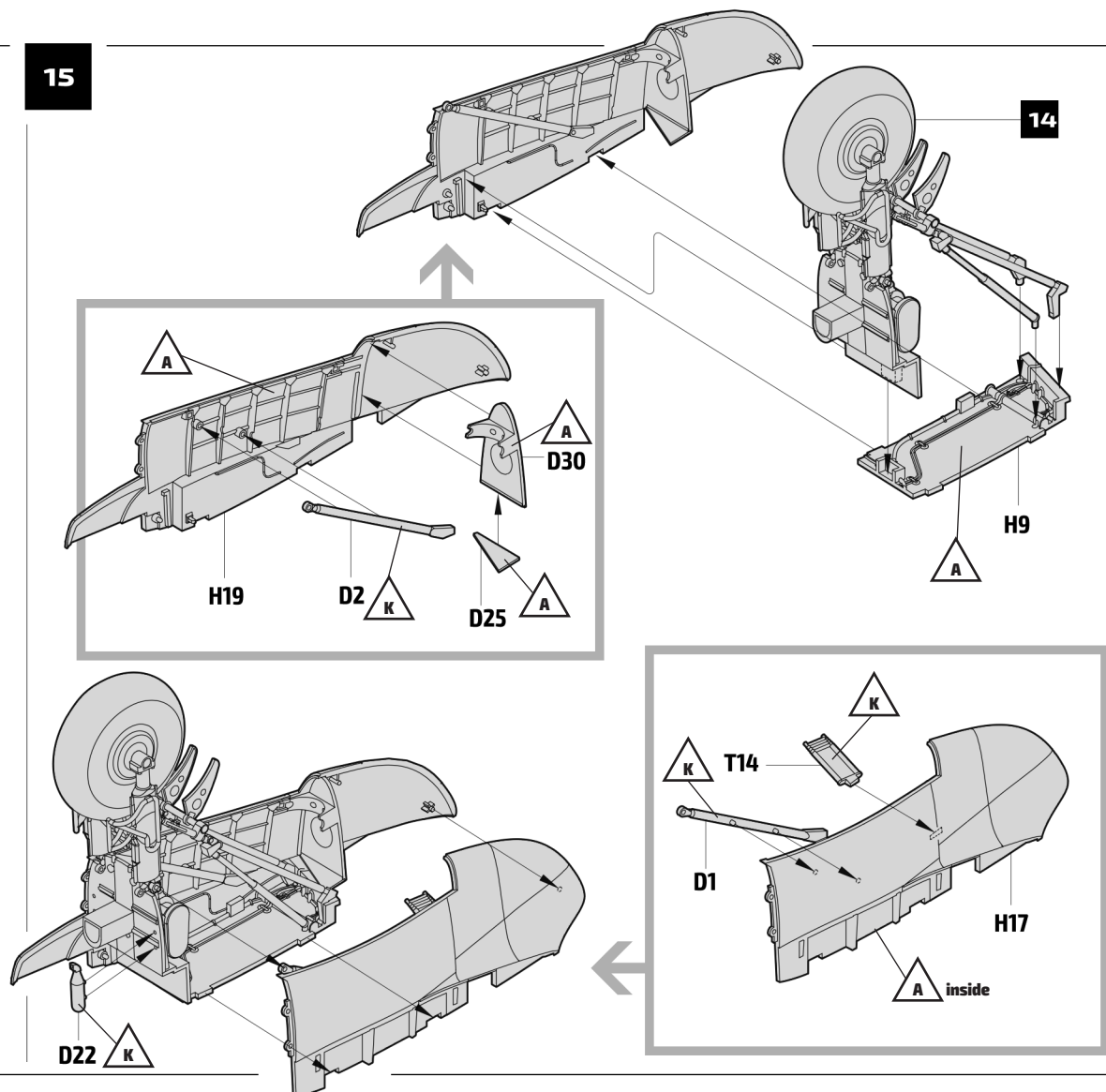
13



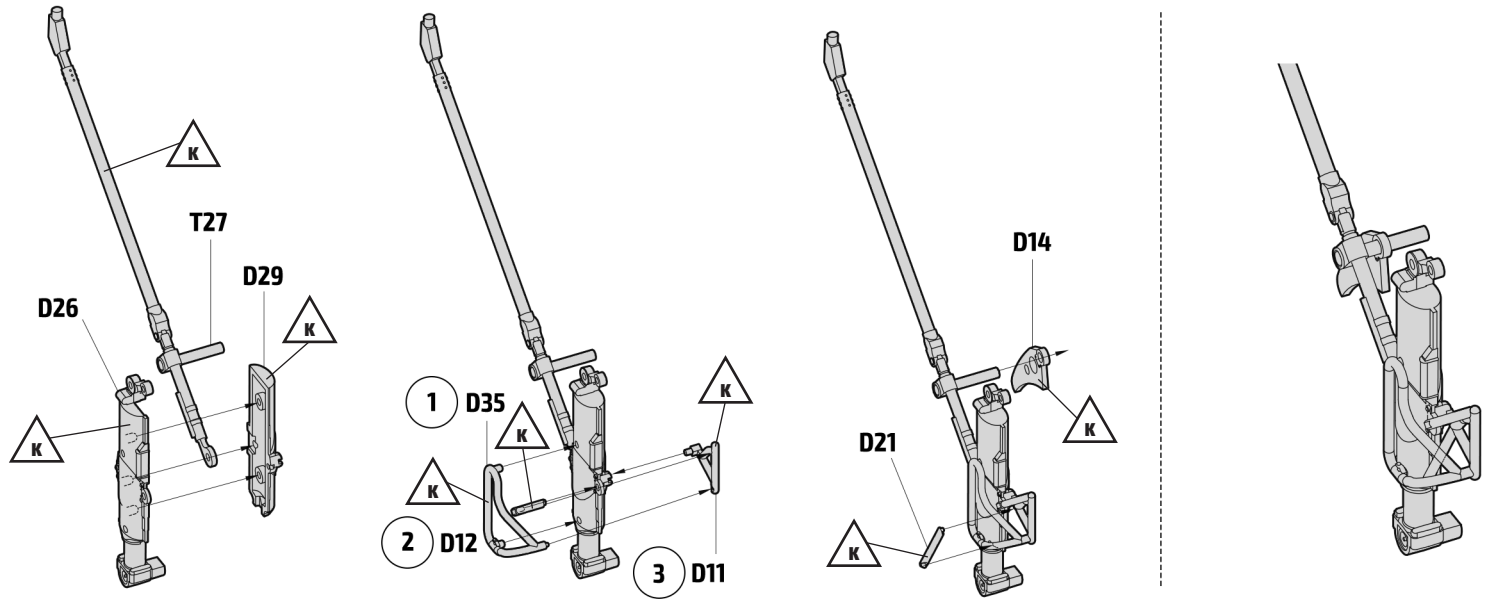
14



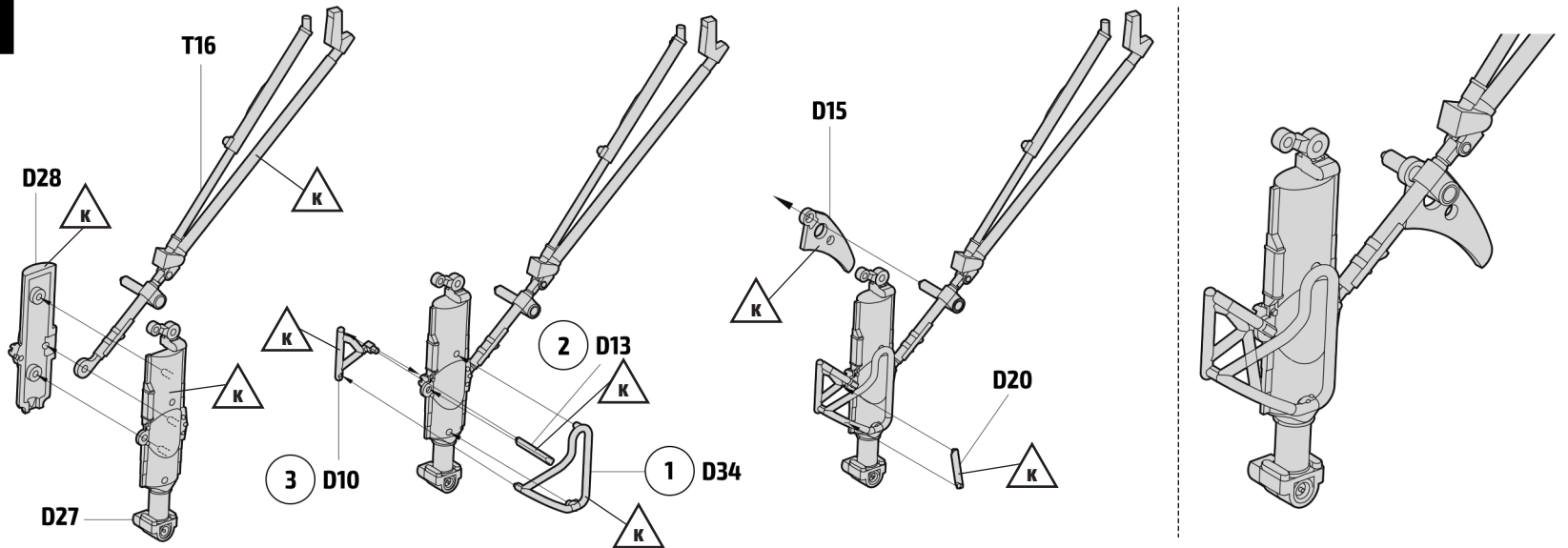
15



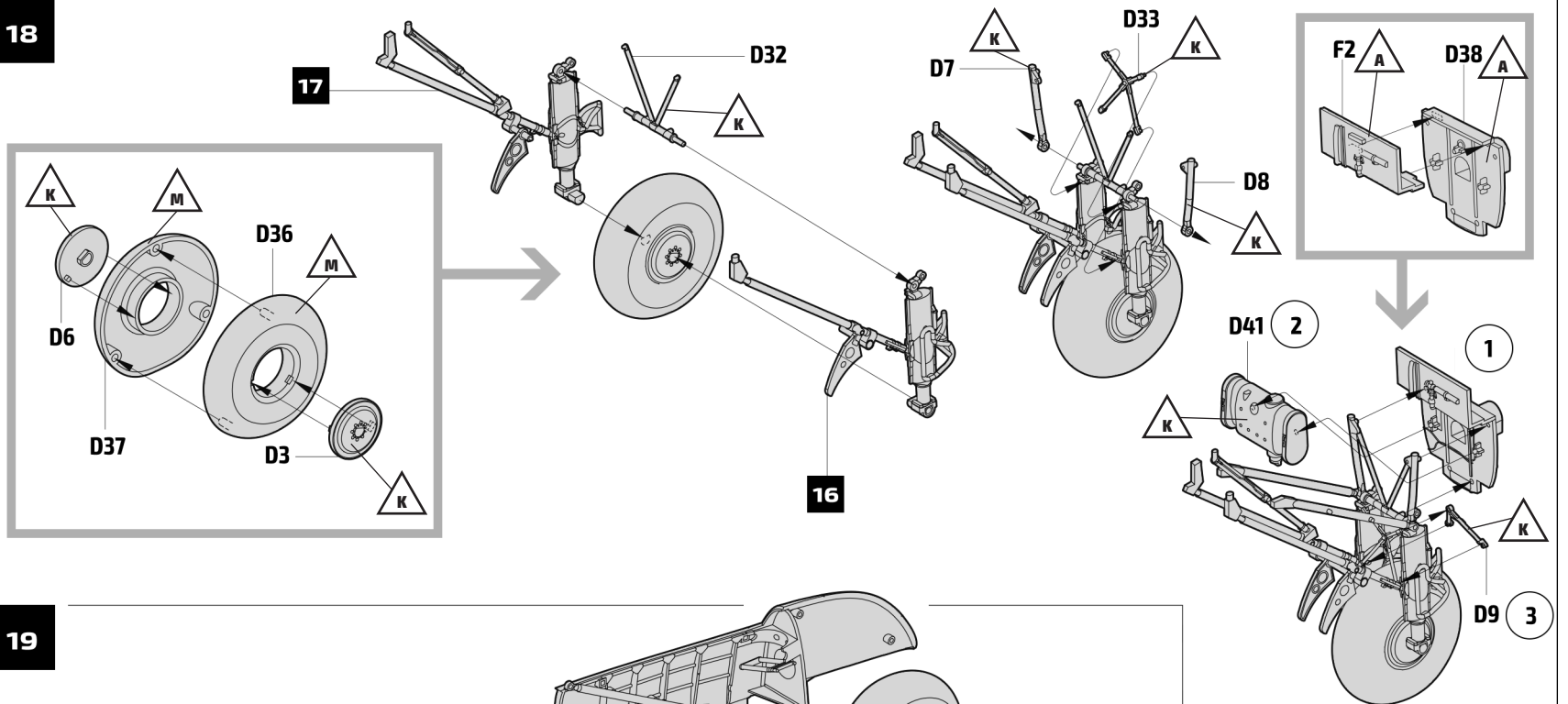
16



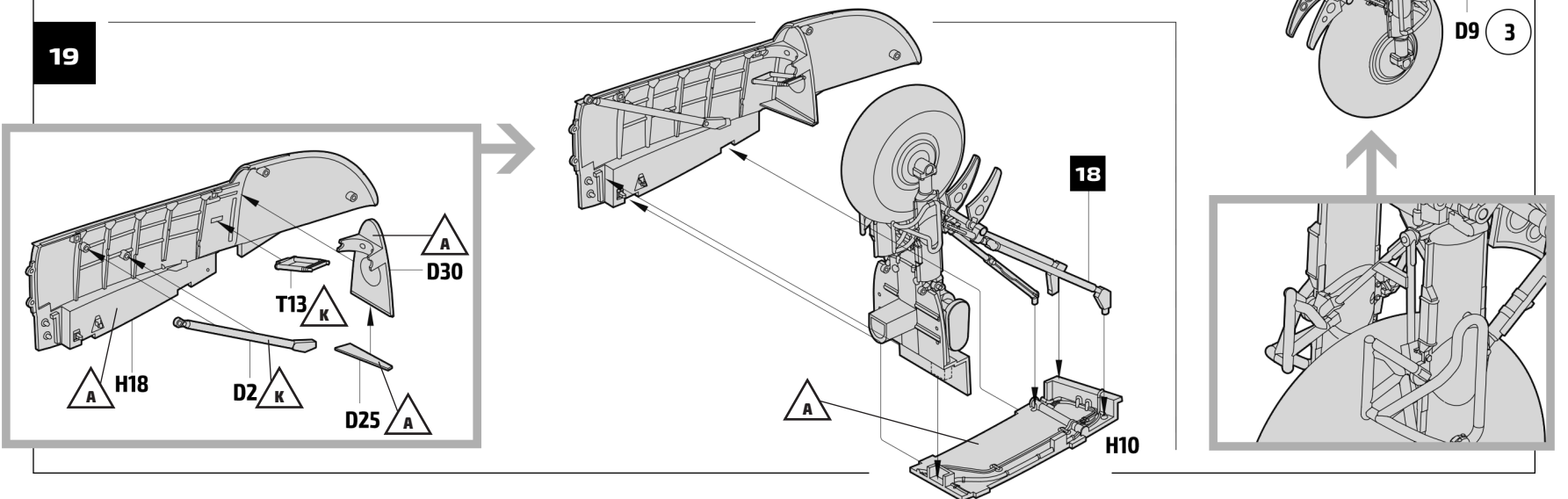
17



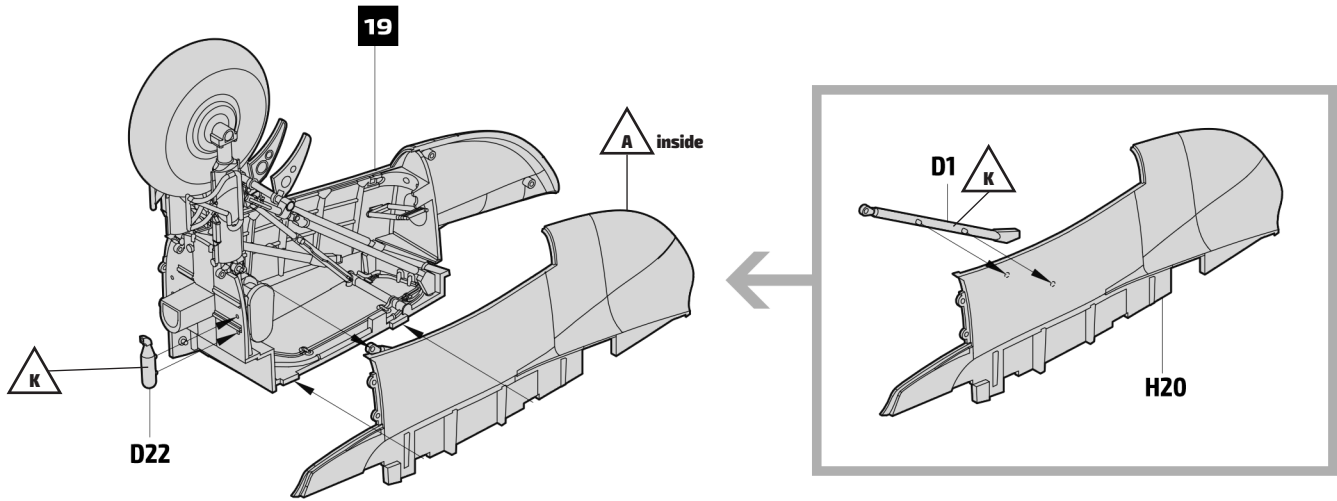
18



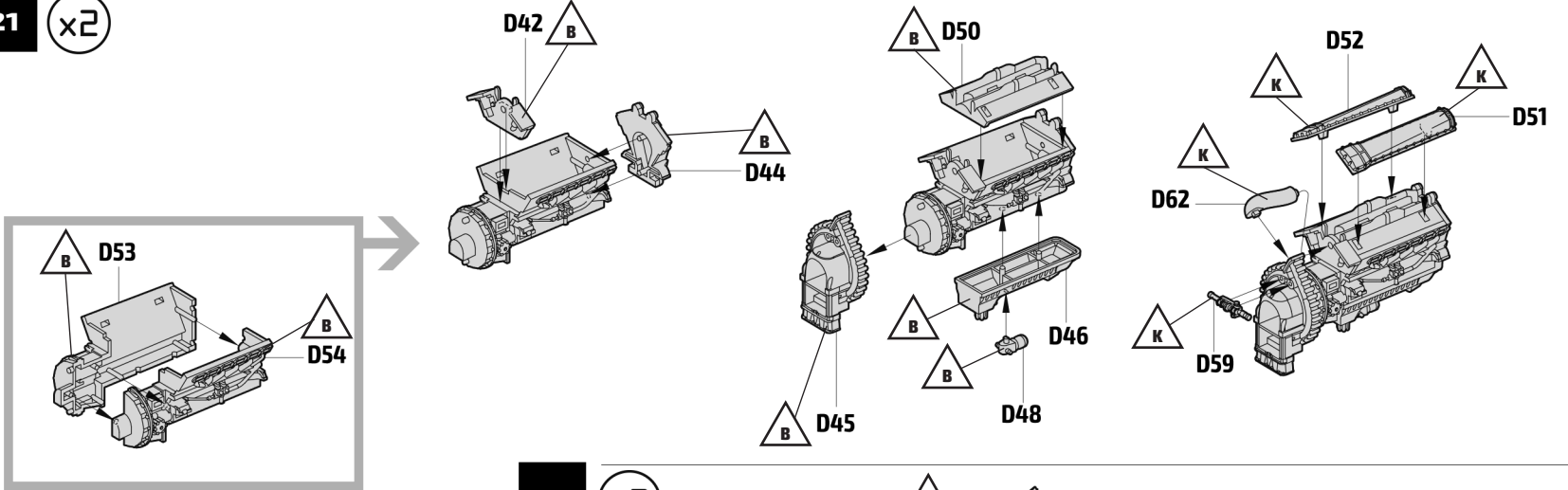
19



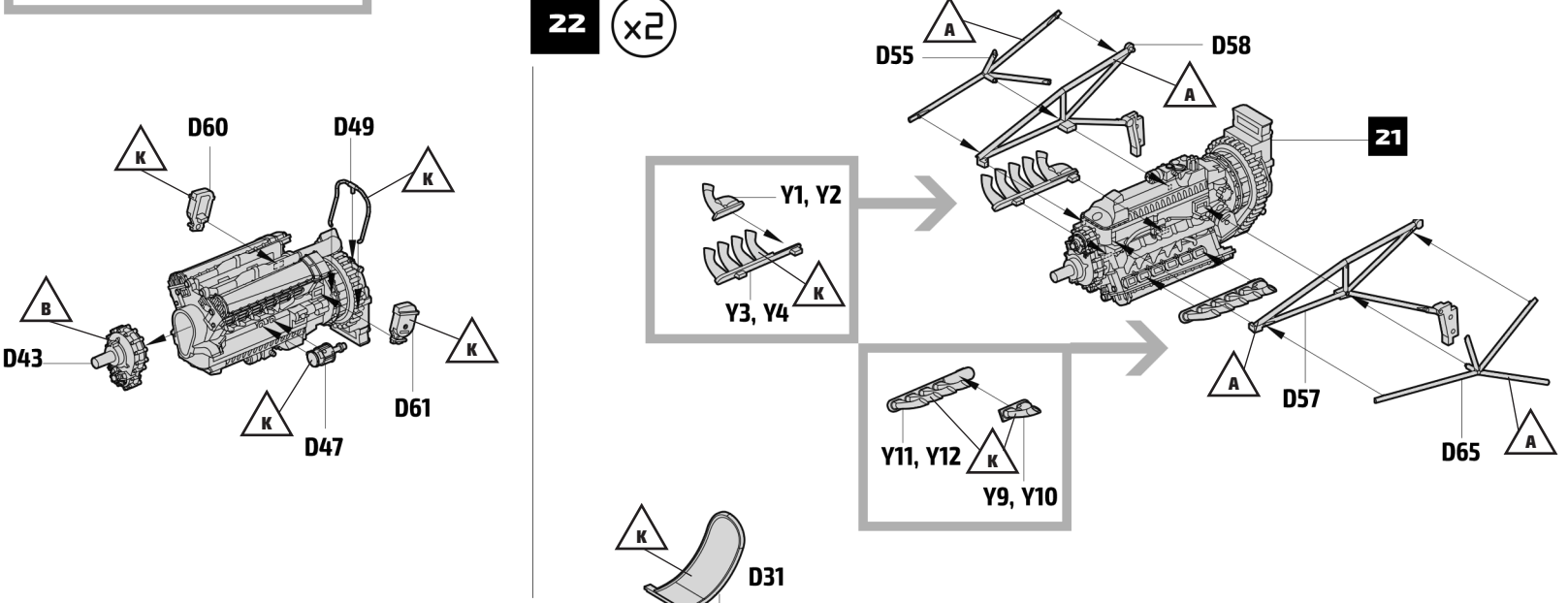
20



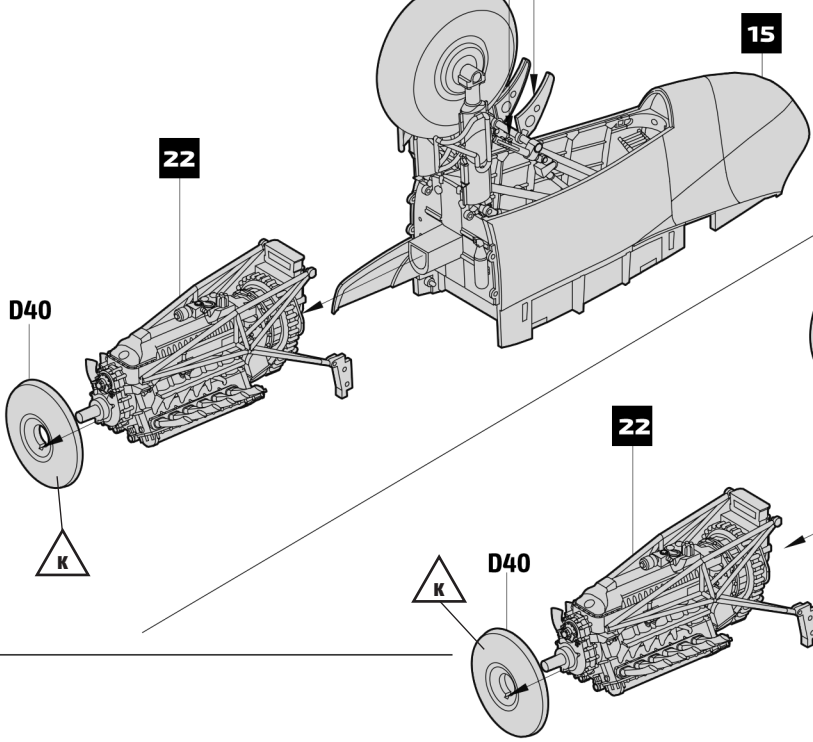
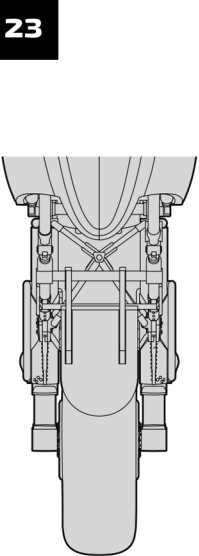
21 (x2)



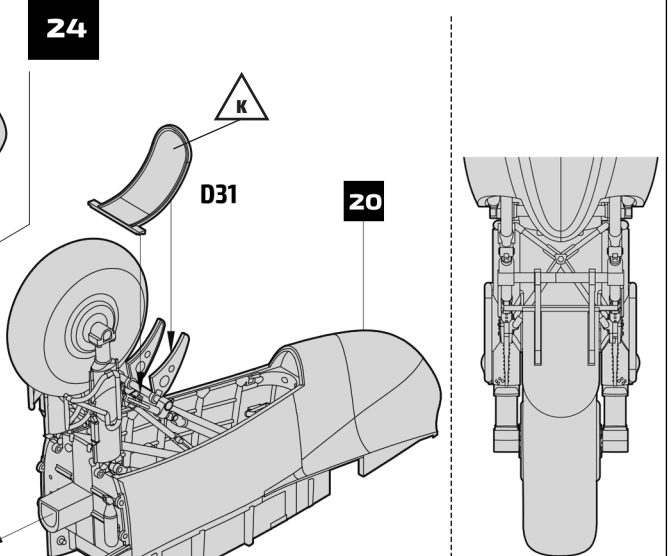
22 (x2)



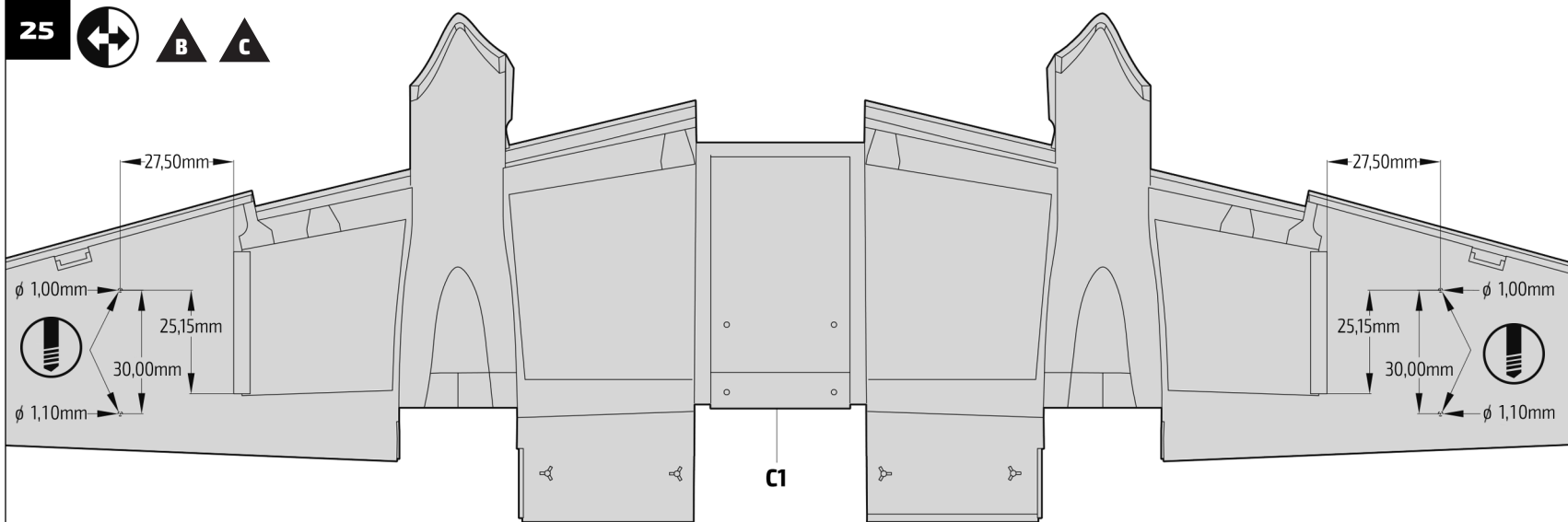
23



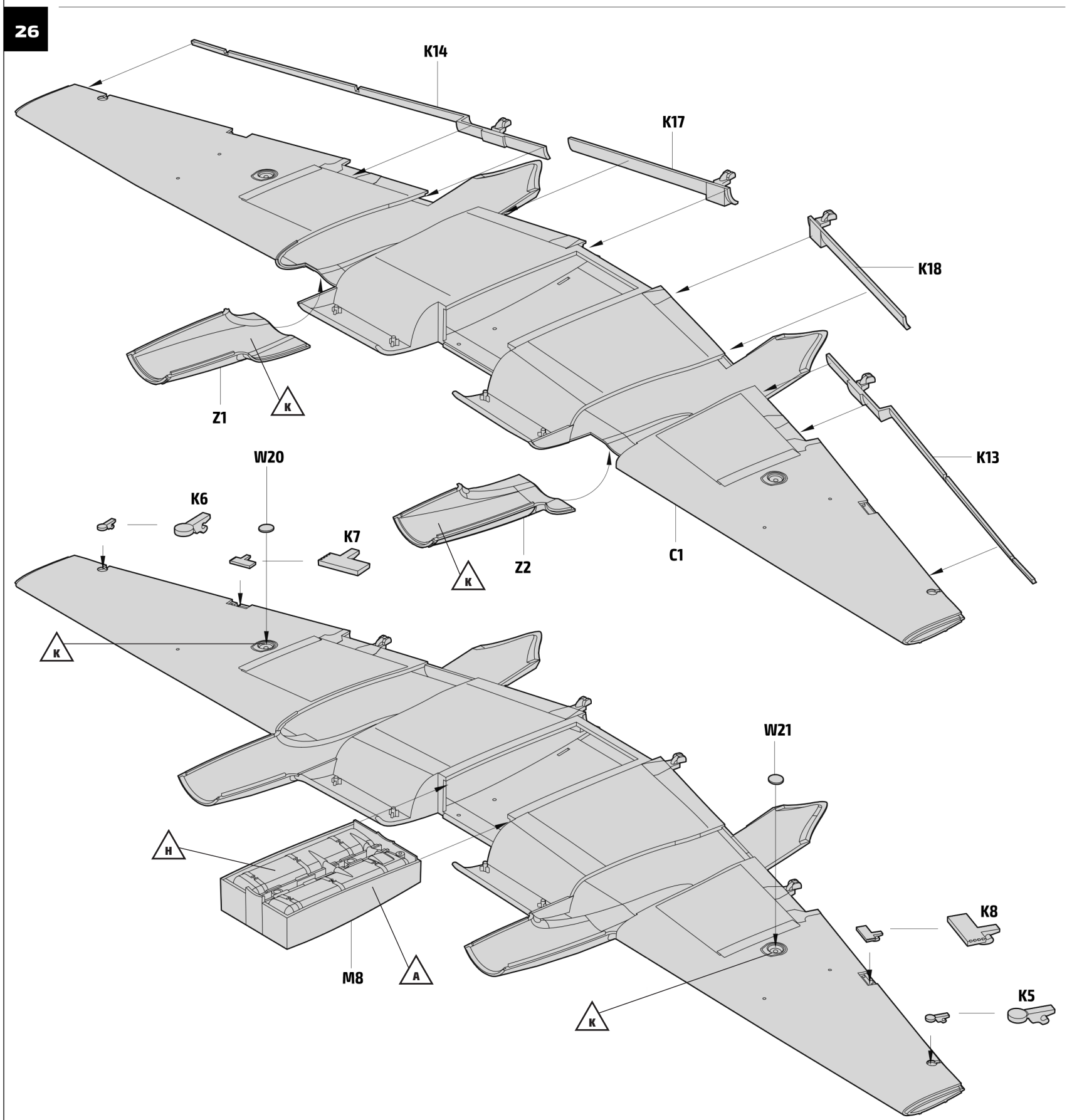
24



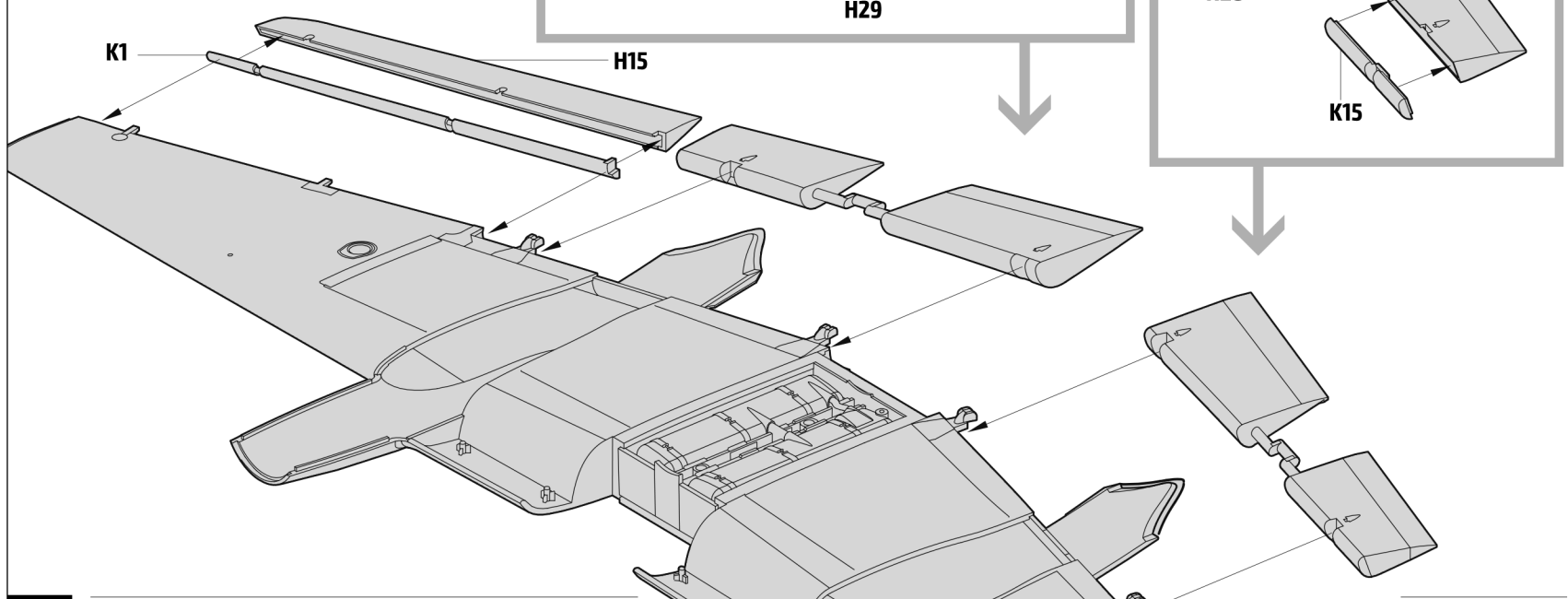
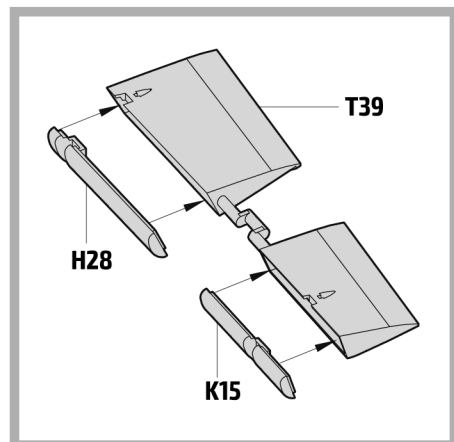
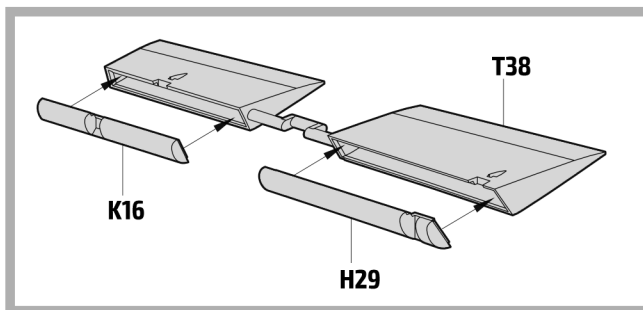
25



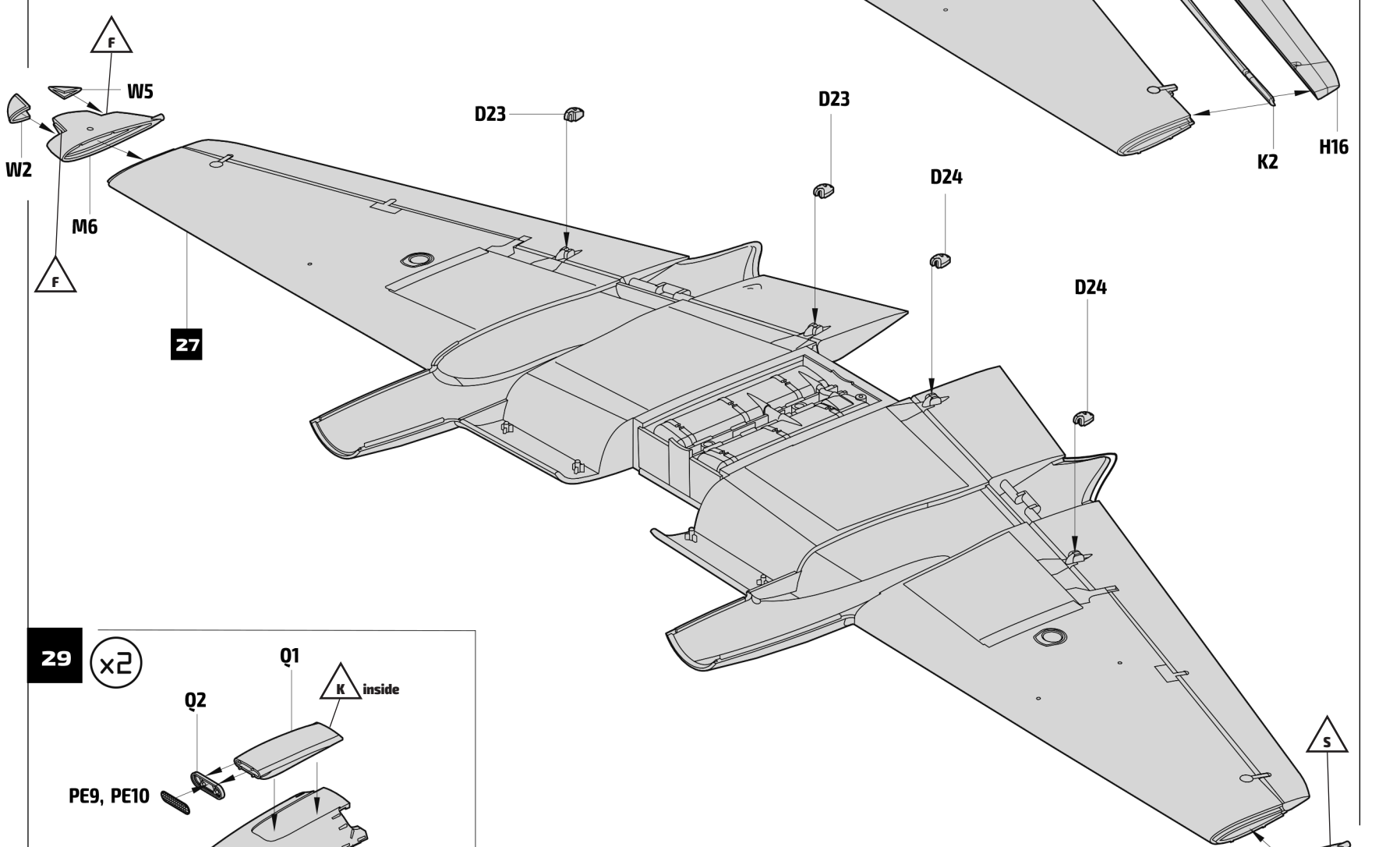
26



27

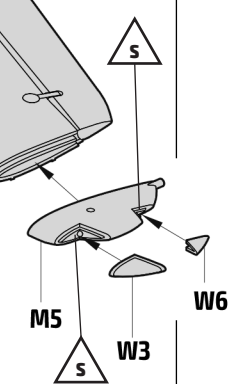
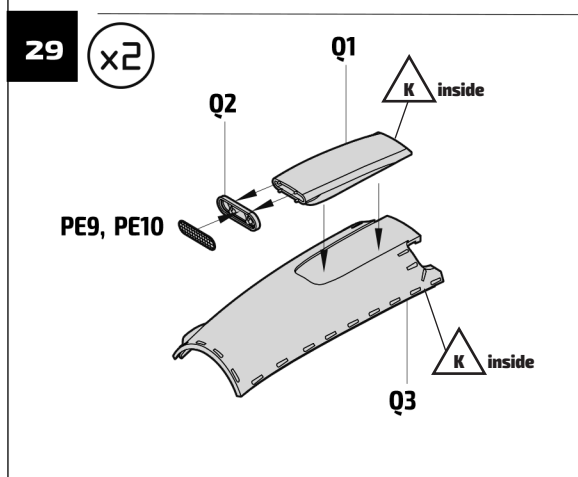


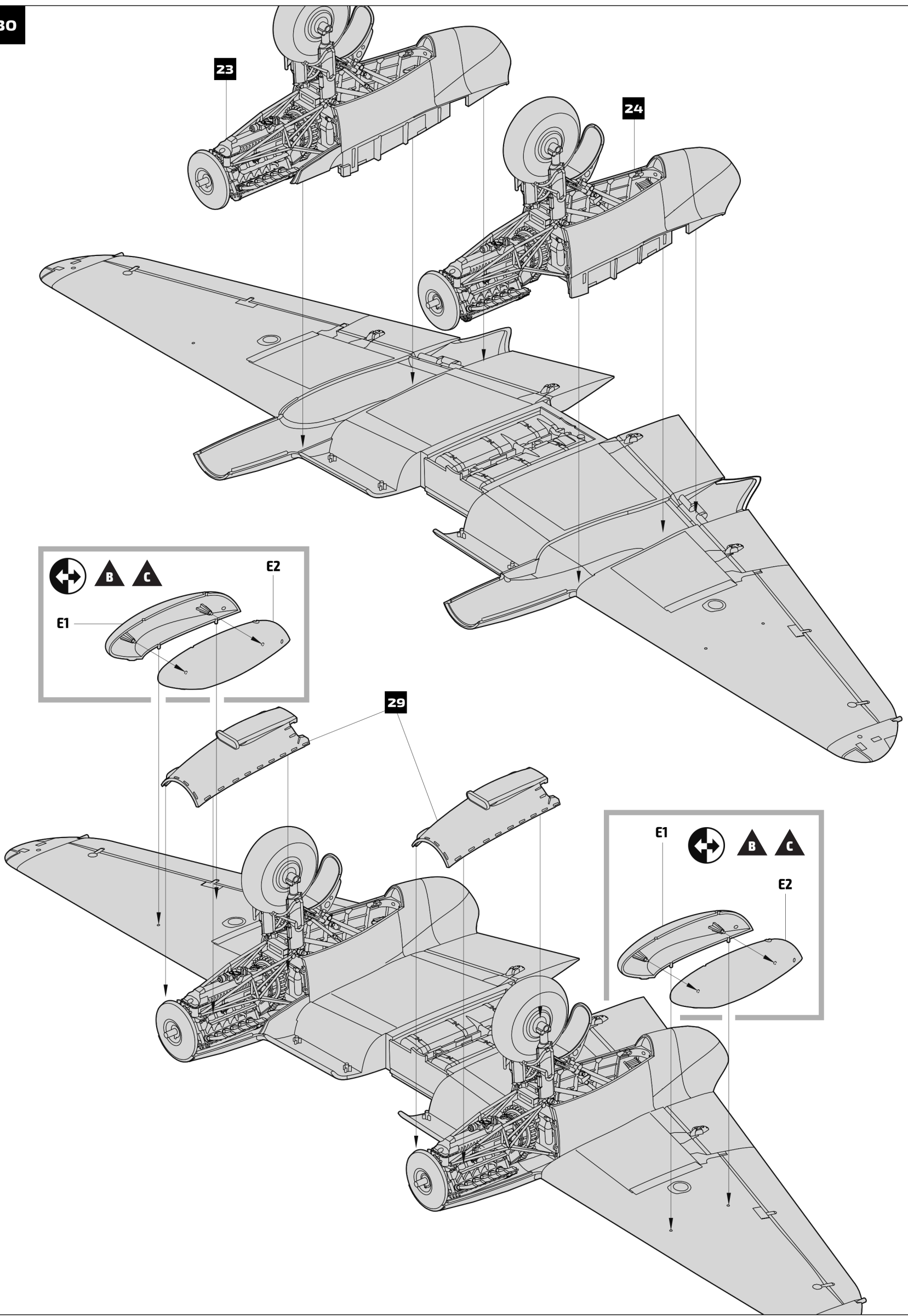
28

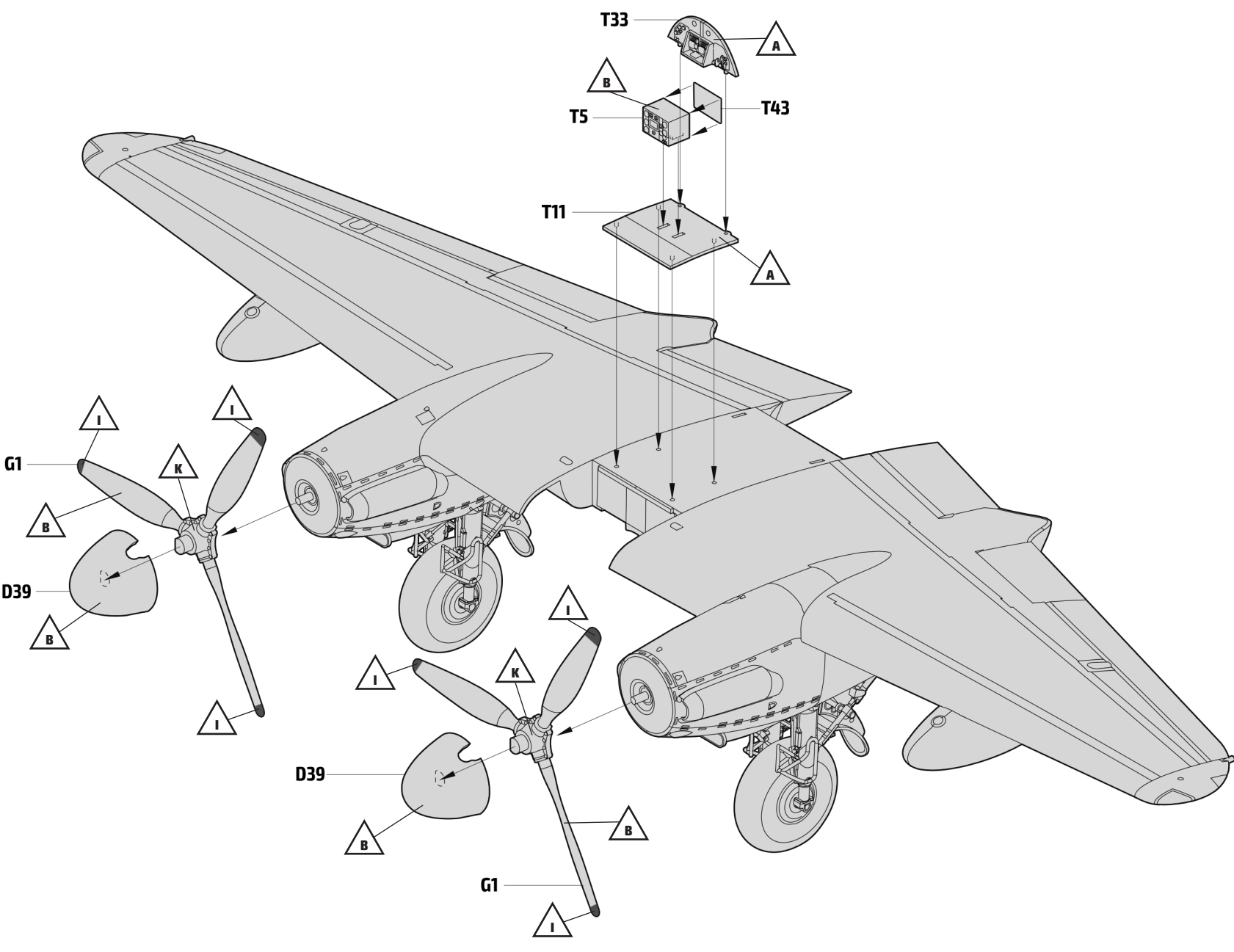
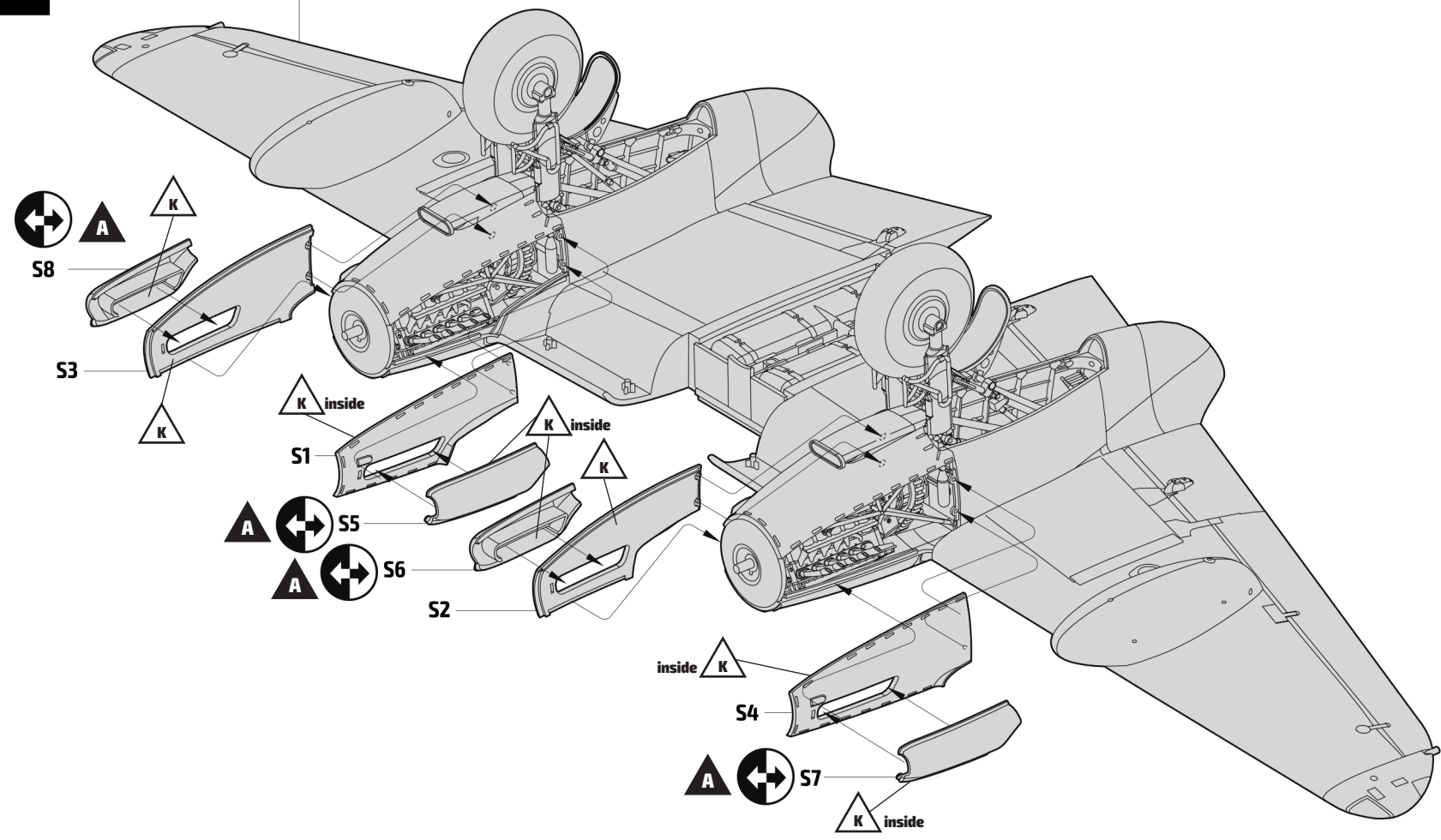


29

x2



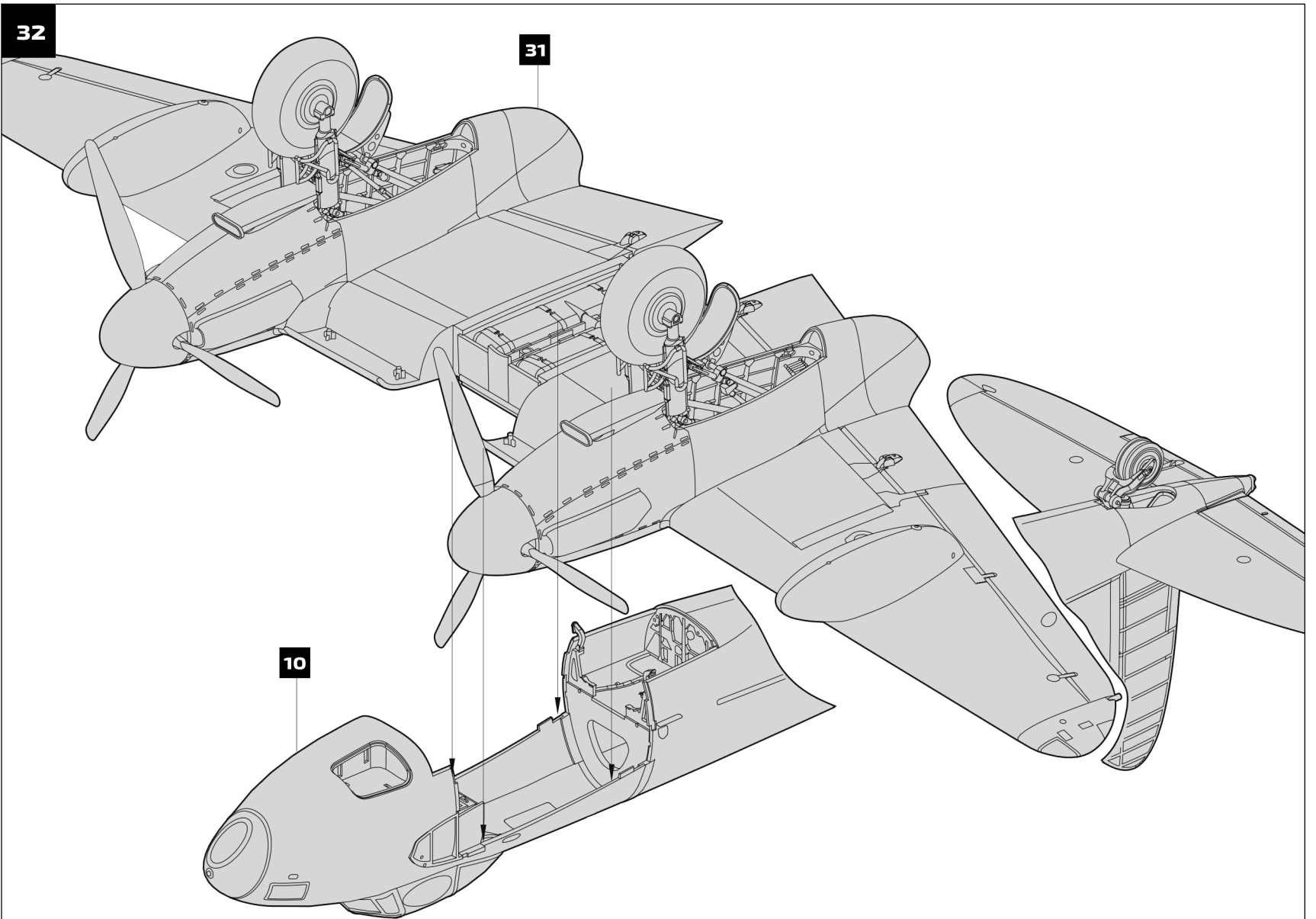




32

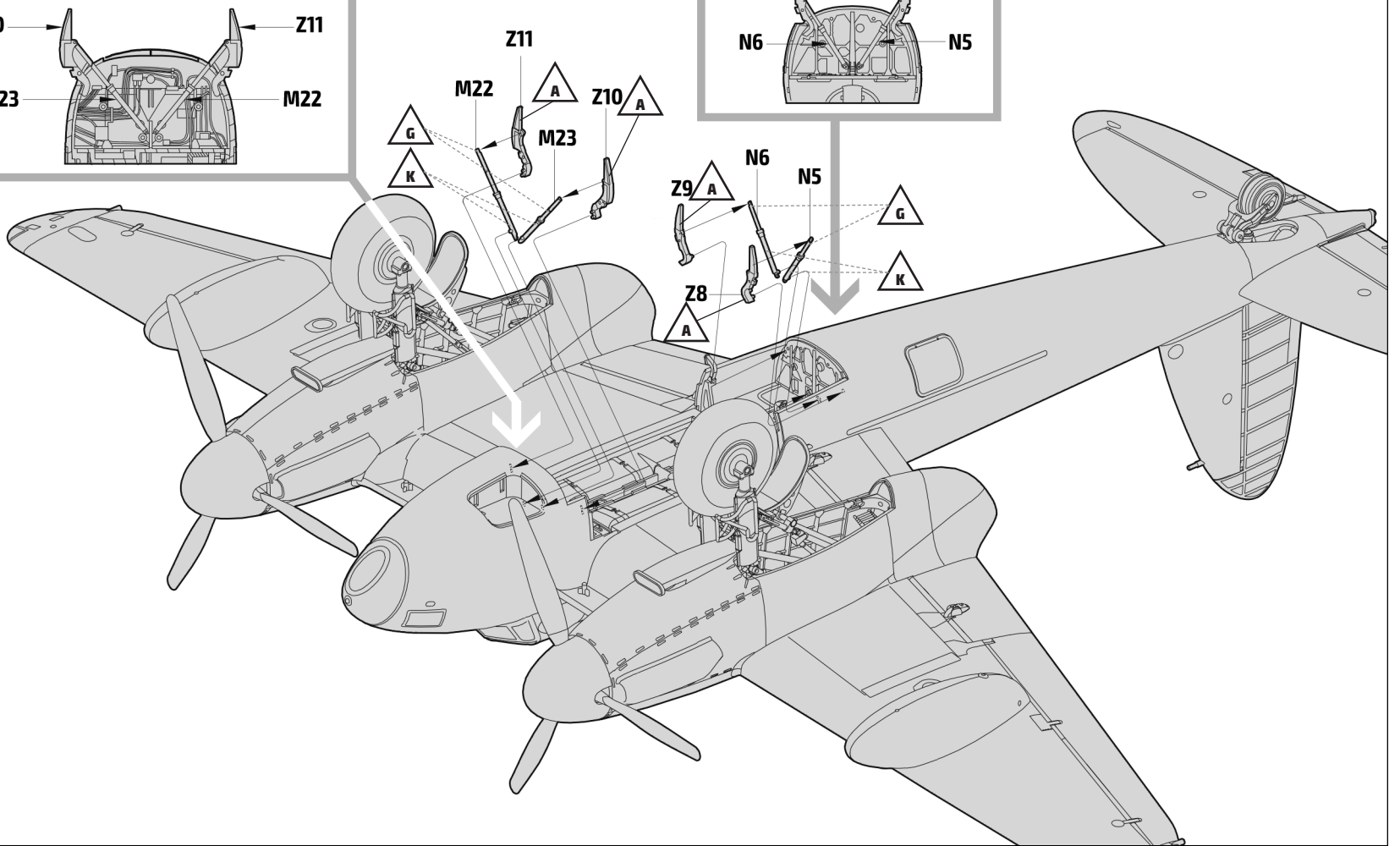
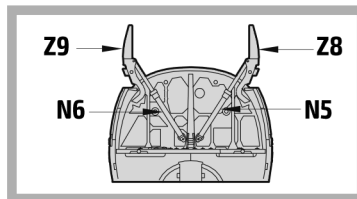
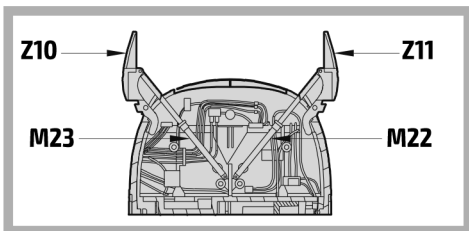
31

10

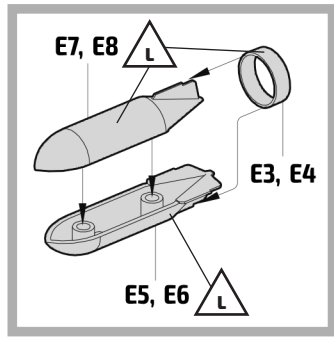


33A

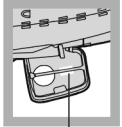
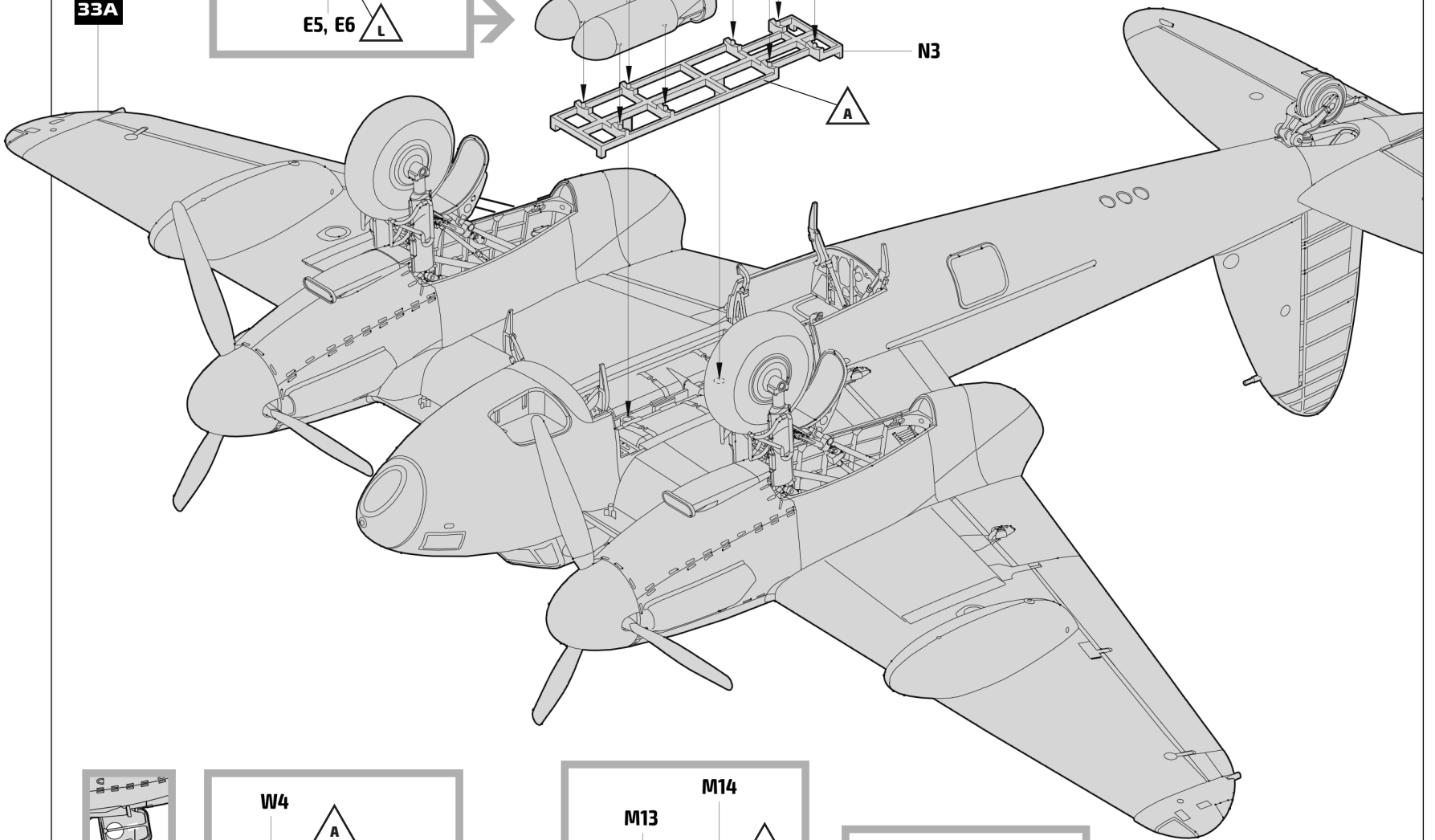
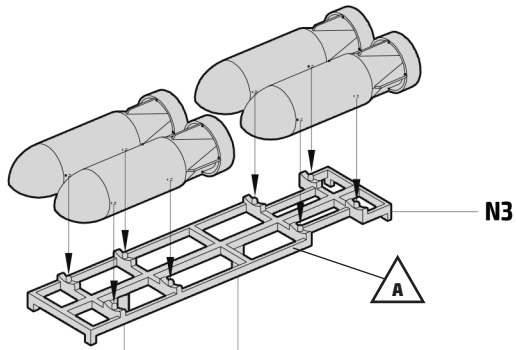
A Standard bomb bay



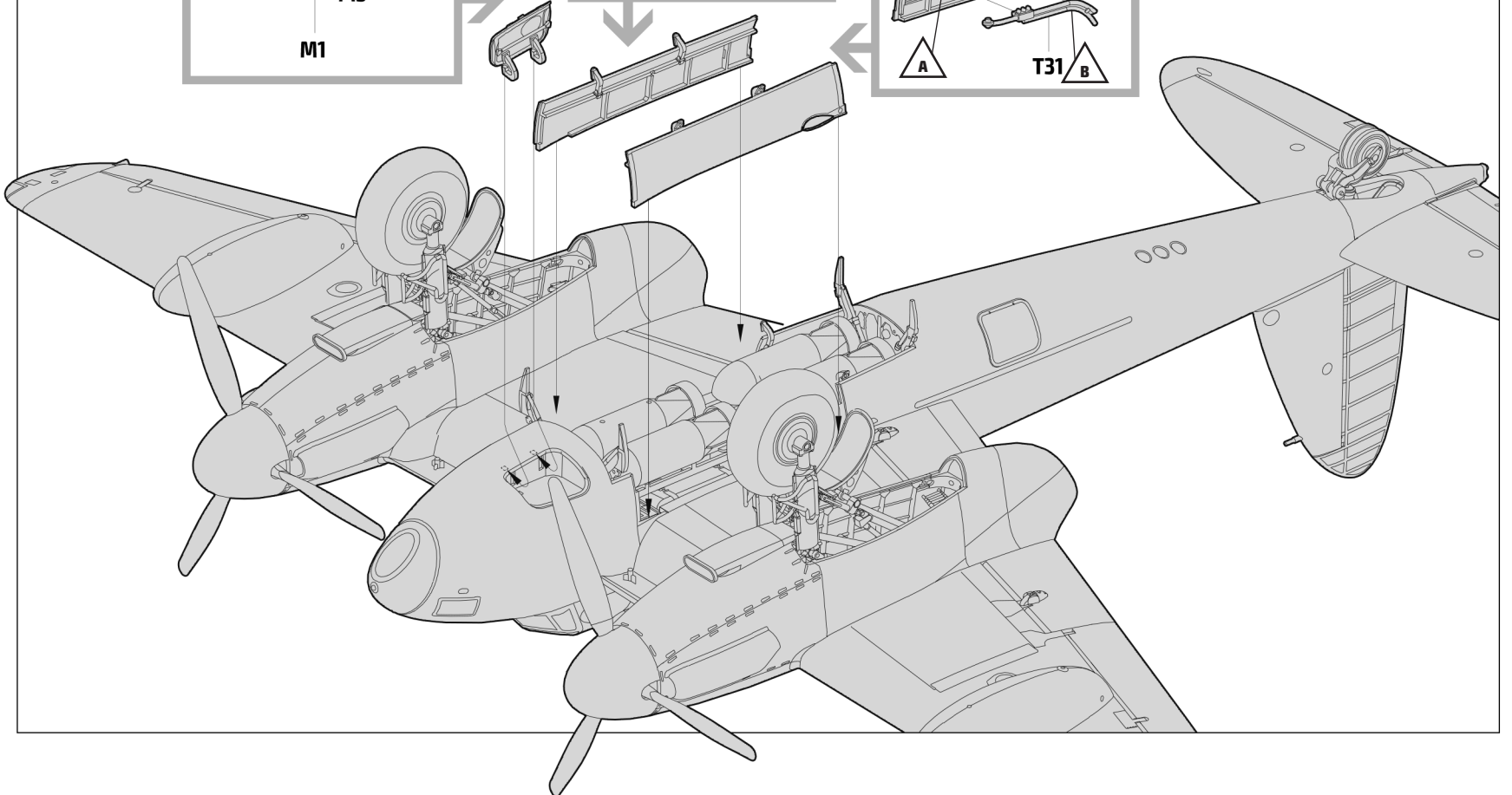
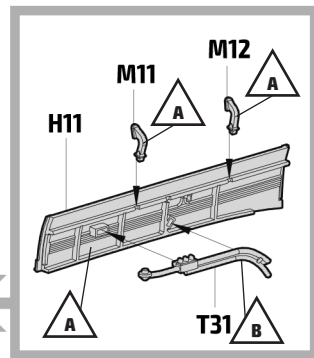
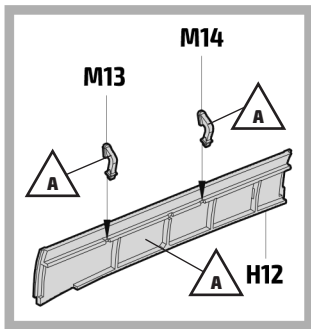
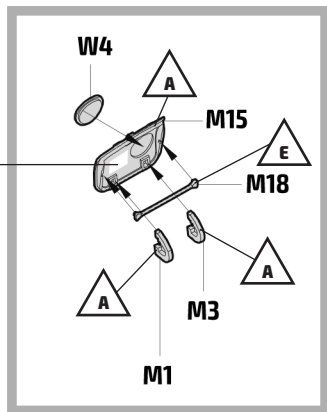
34A

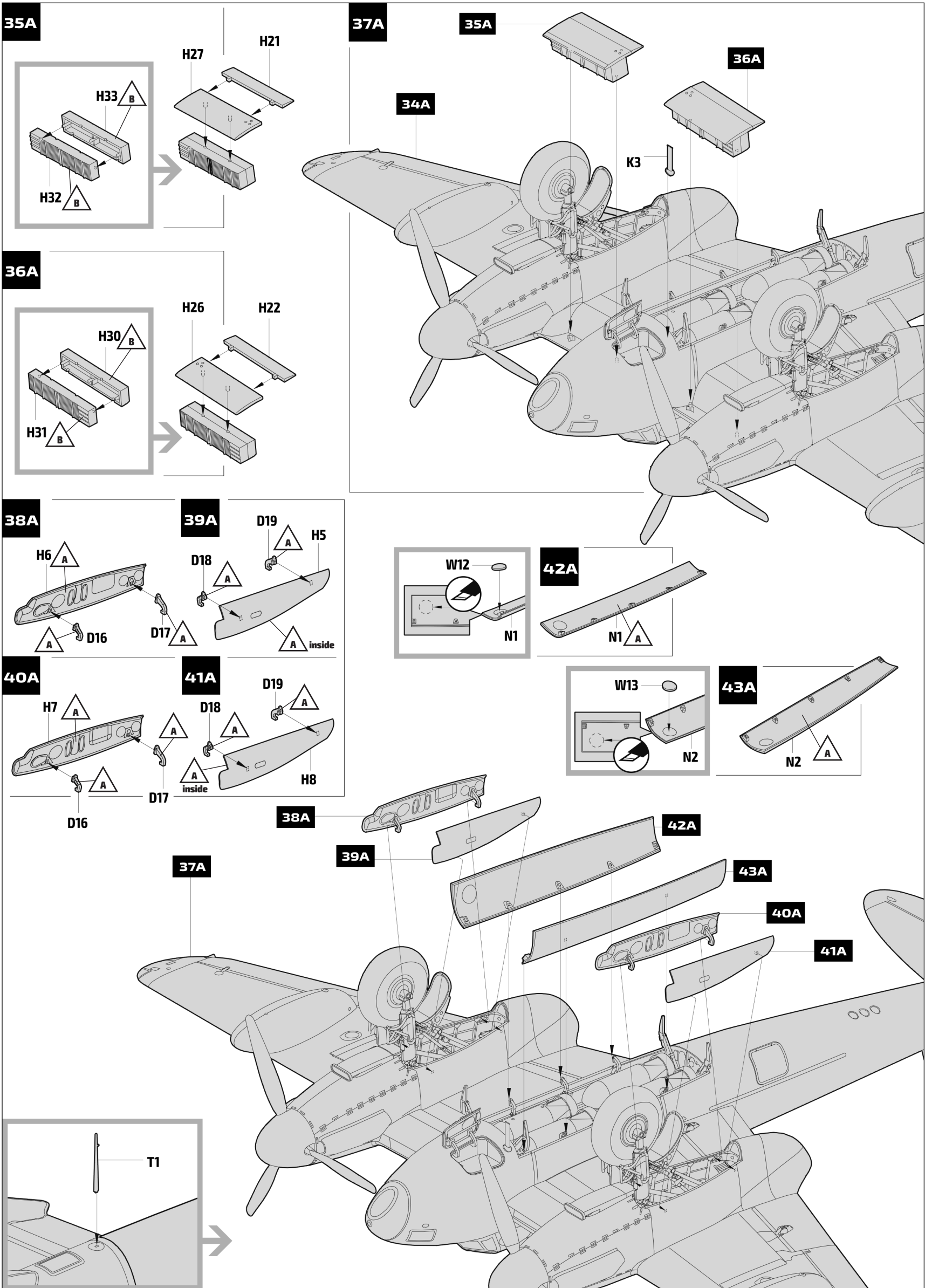


33A



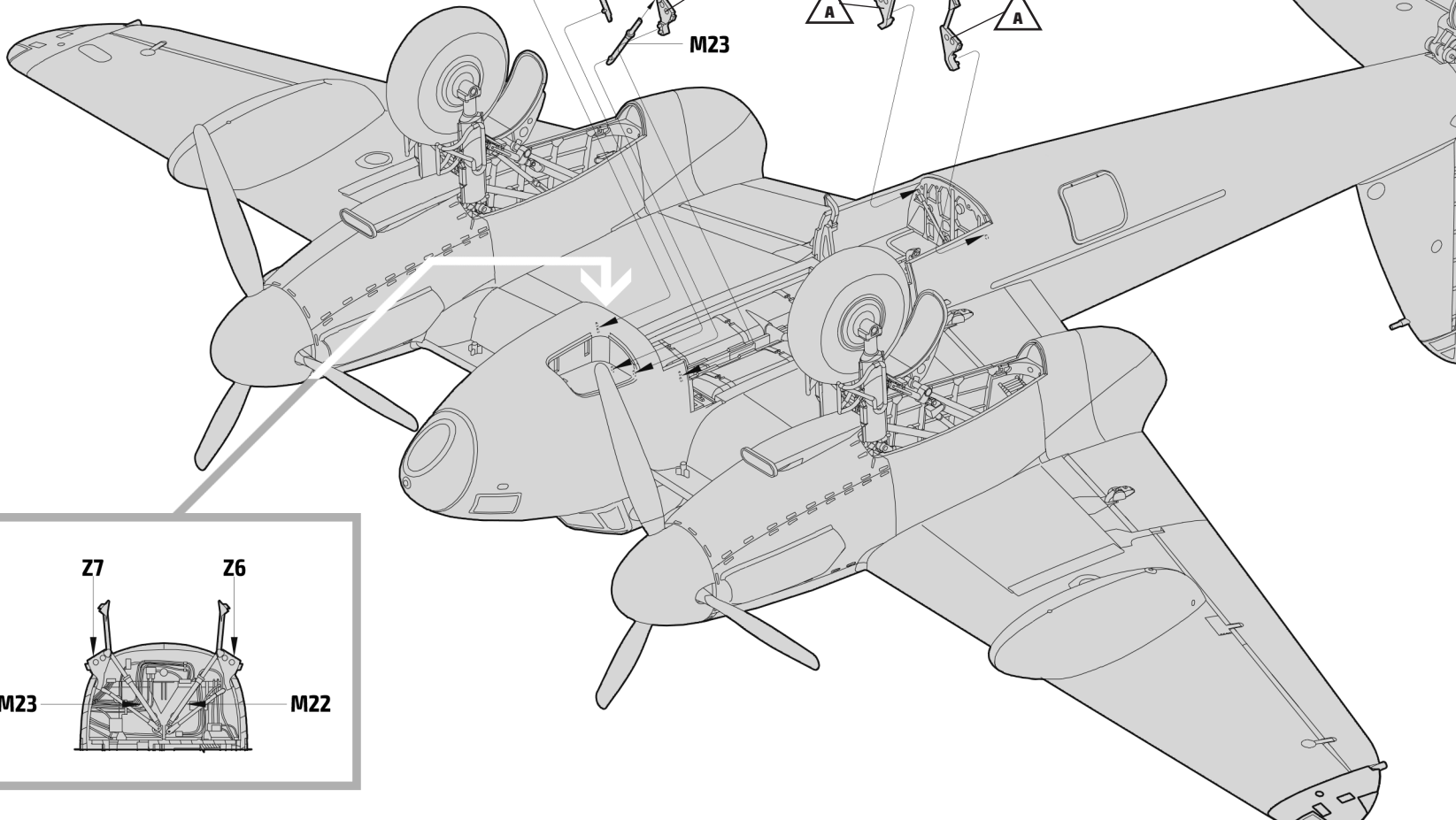
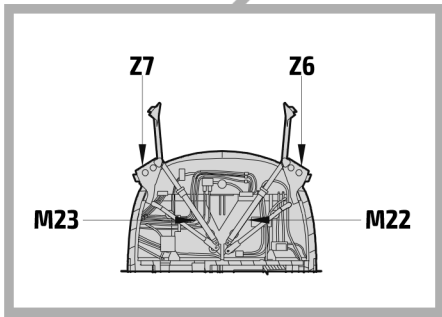
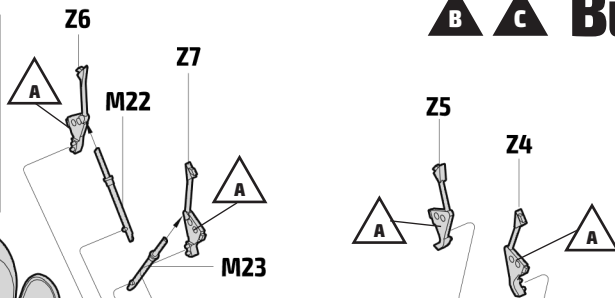
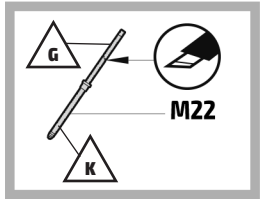
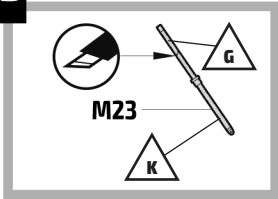
33





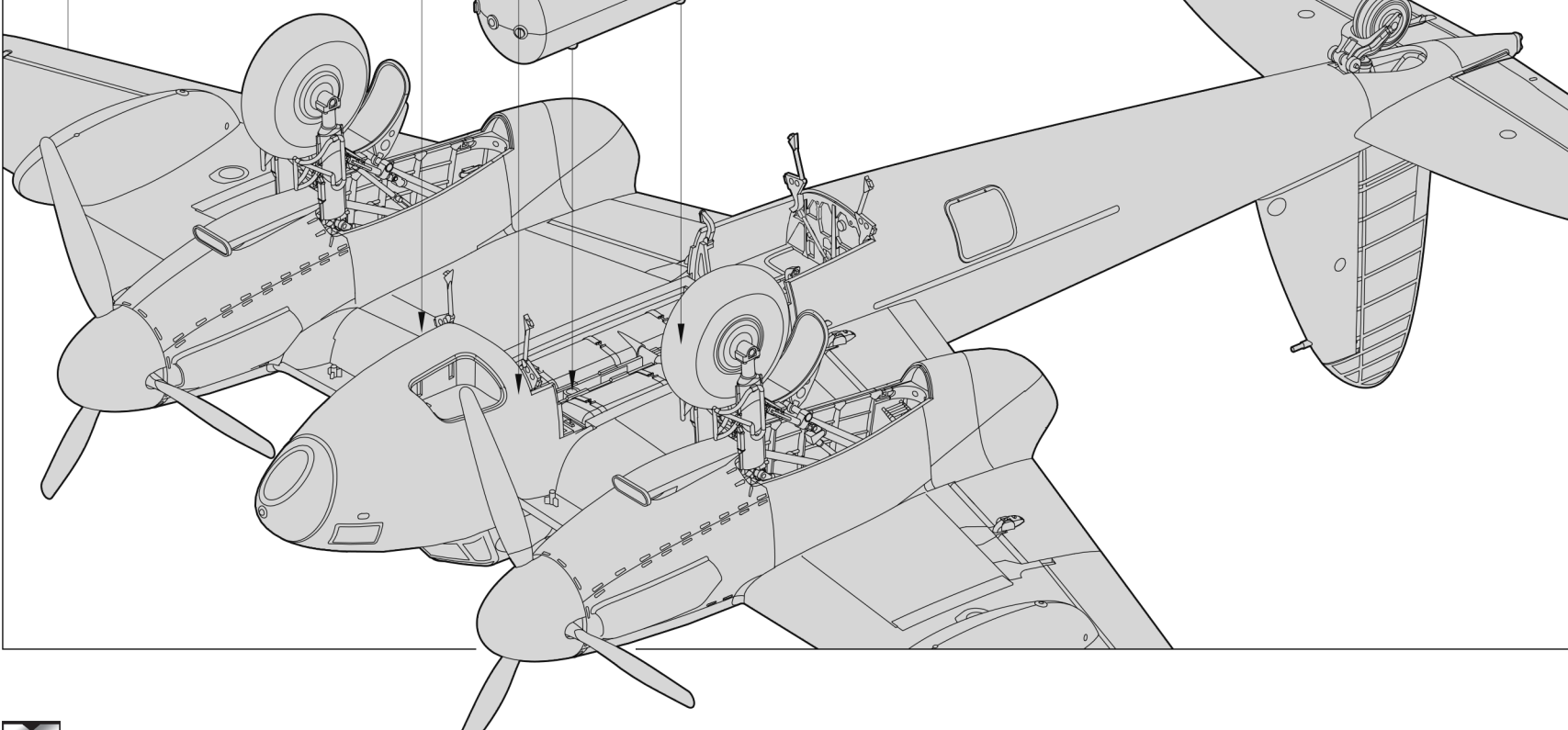
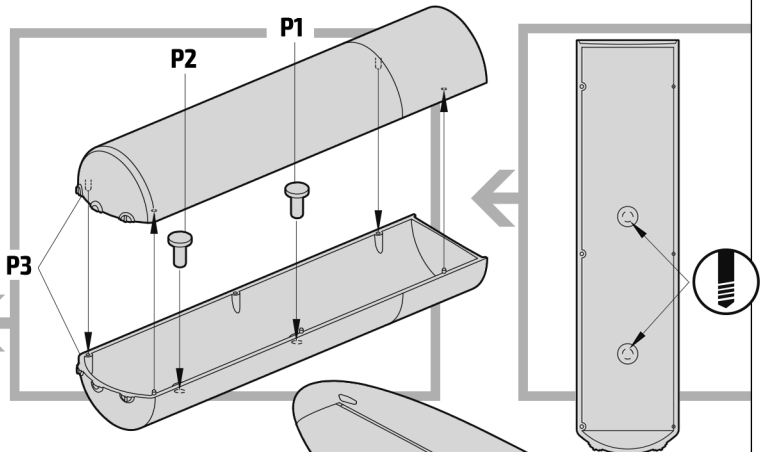
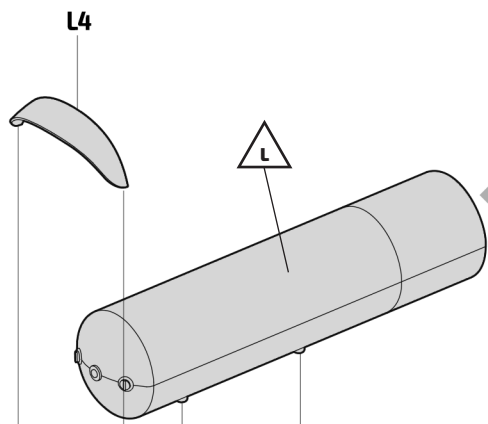
33B

Bulged bomb bay

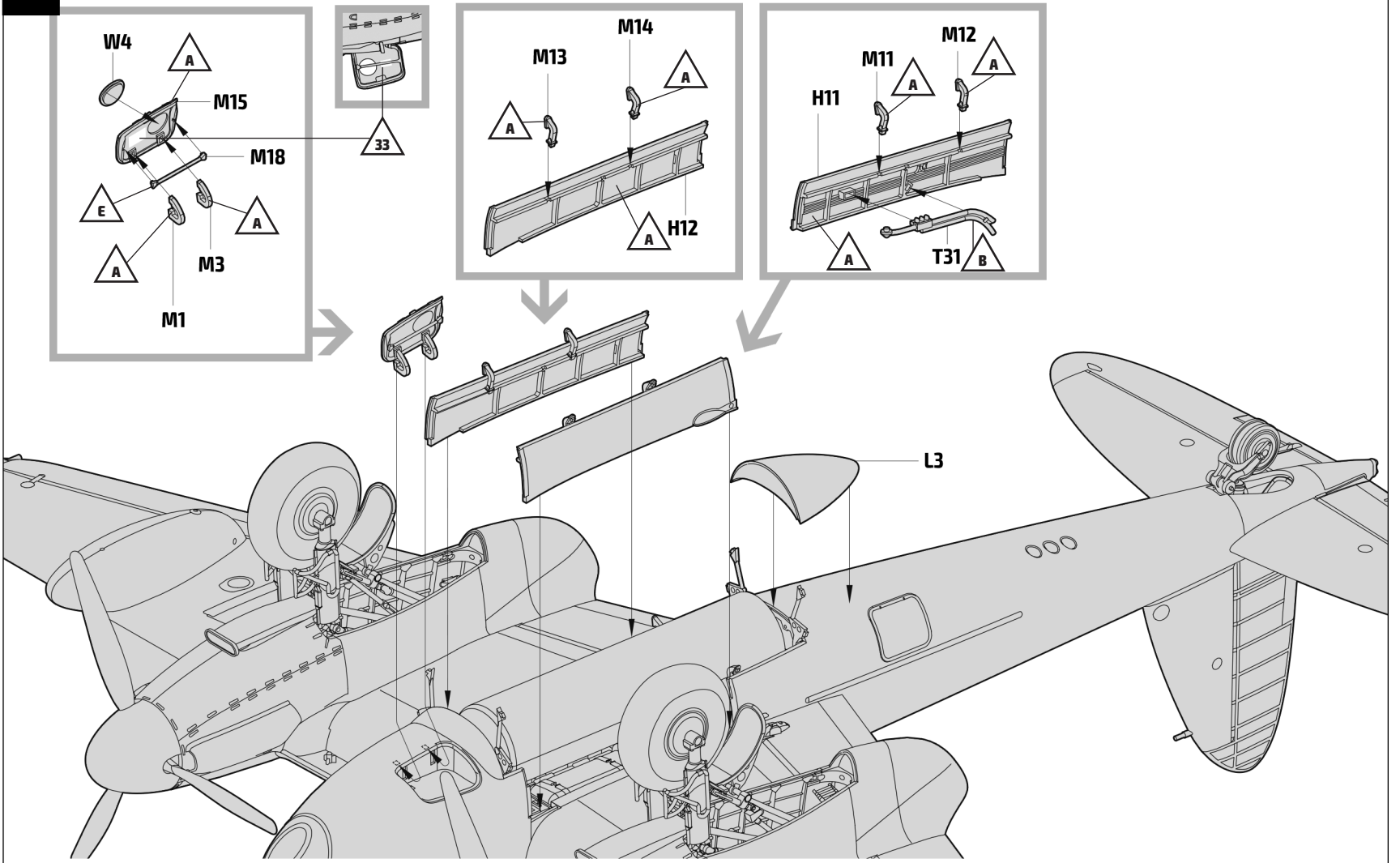


34B

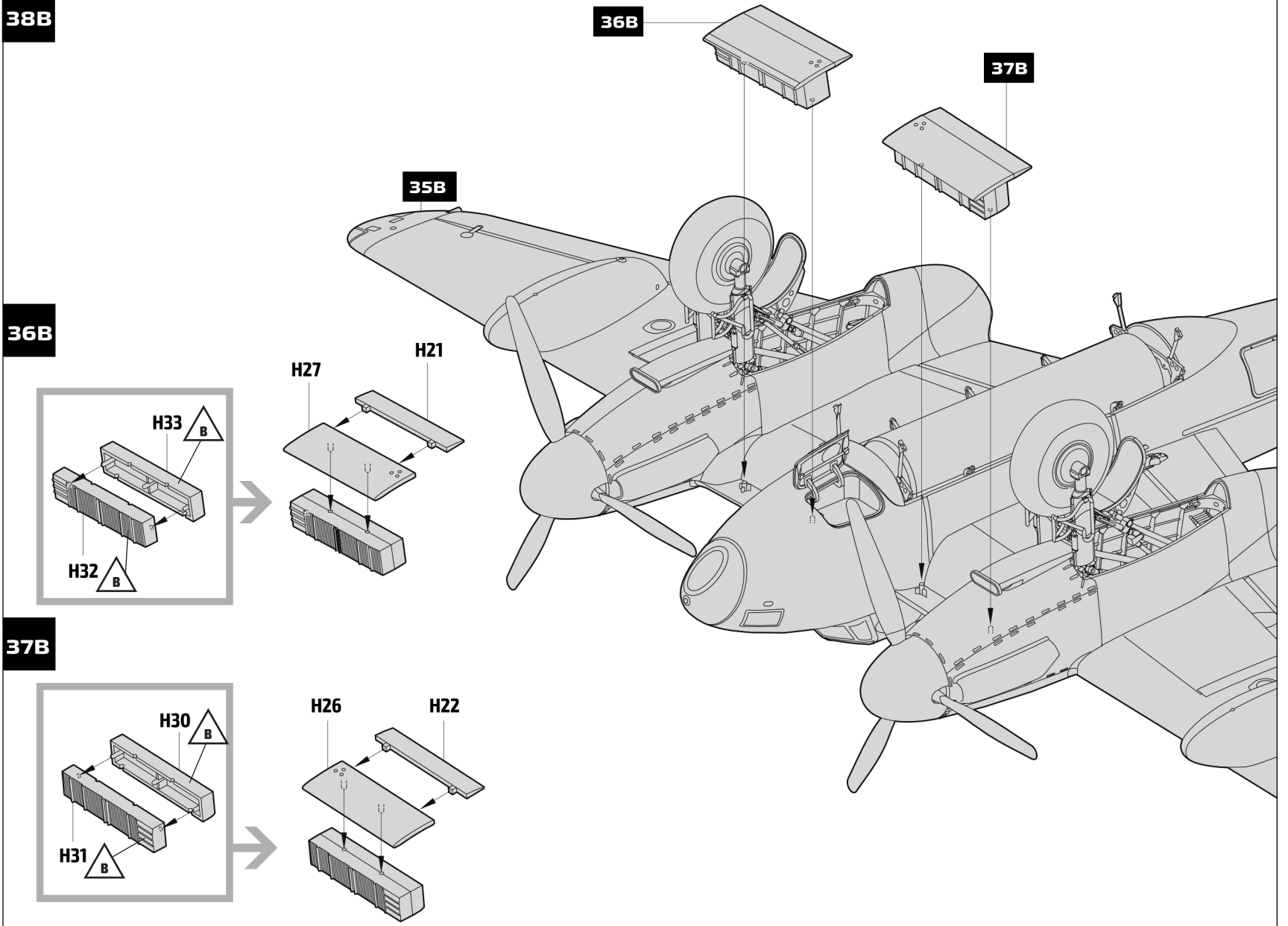
33B



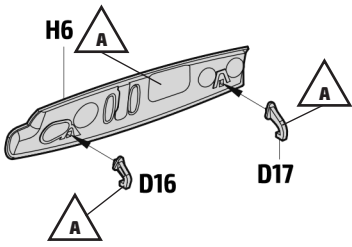
35B



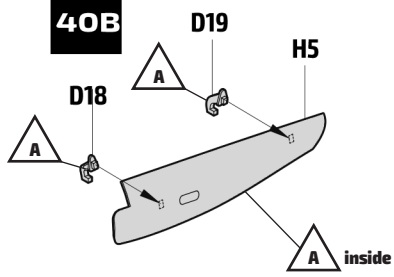
38B



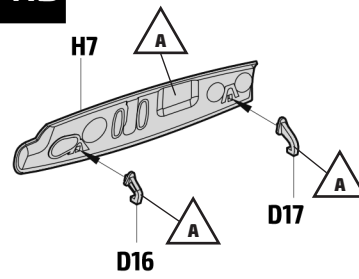
39B



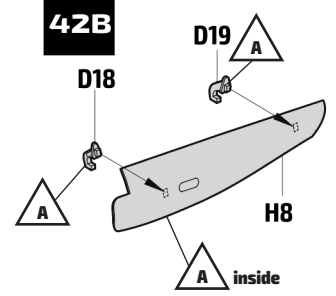
40B



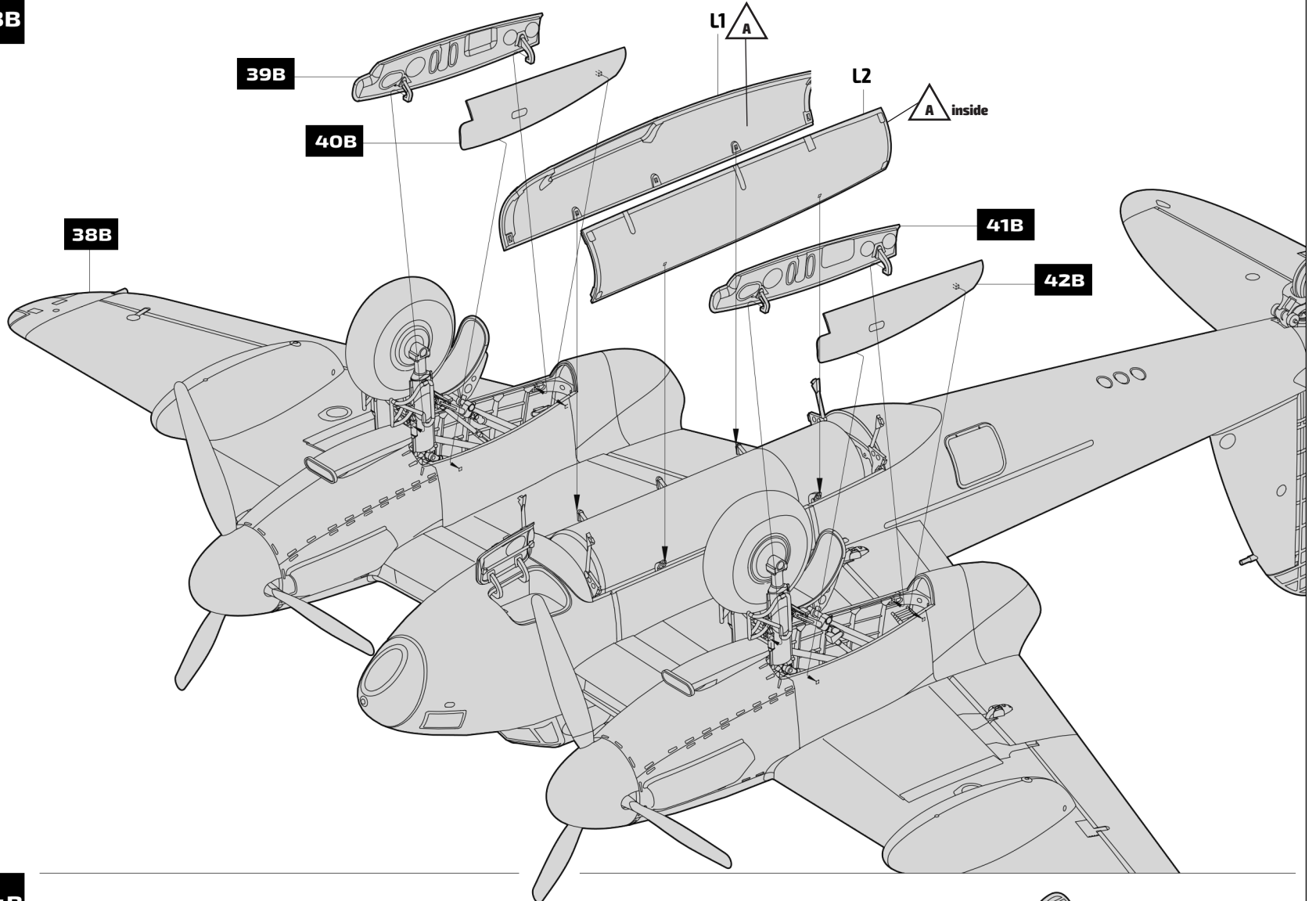
41B



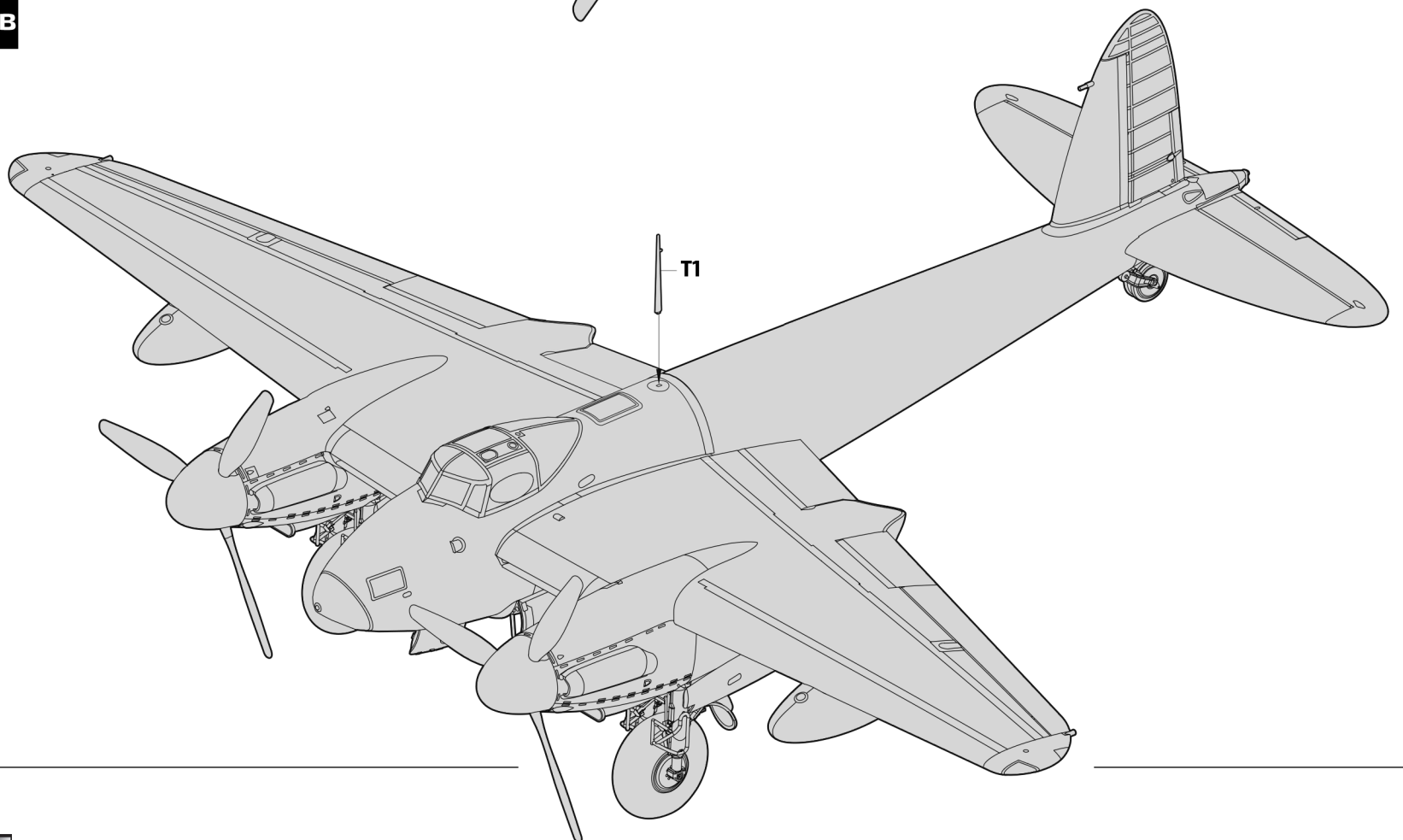
42B



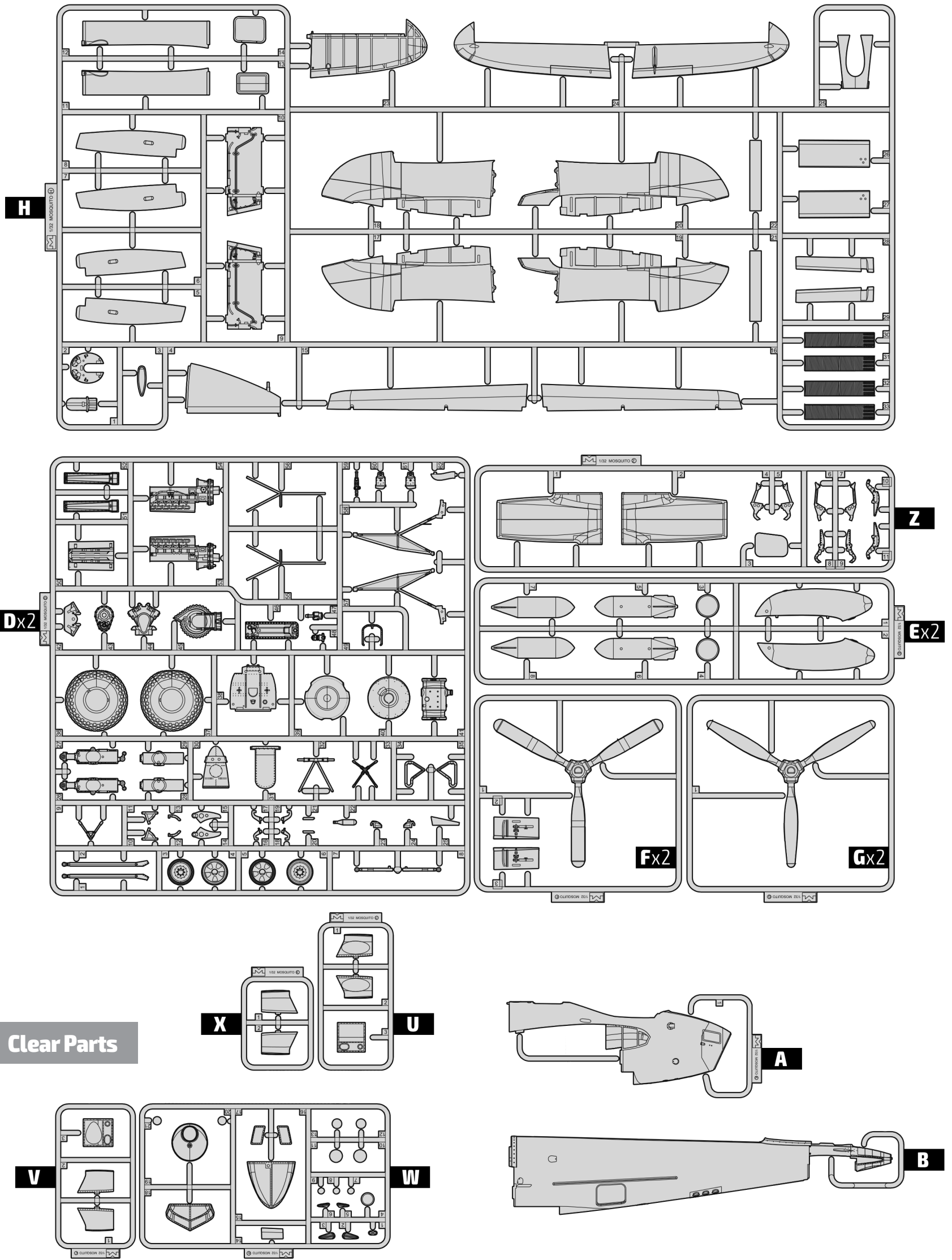
43B



44B

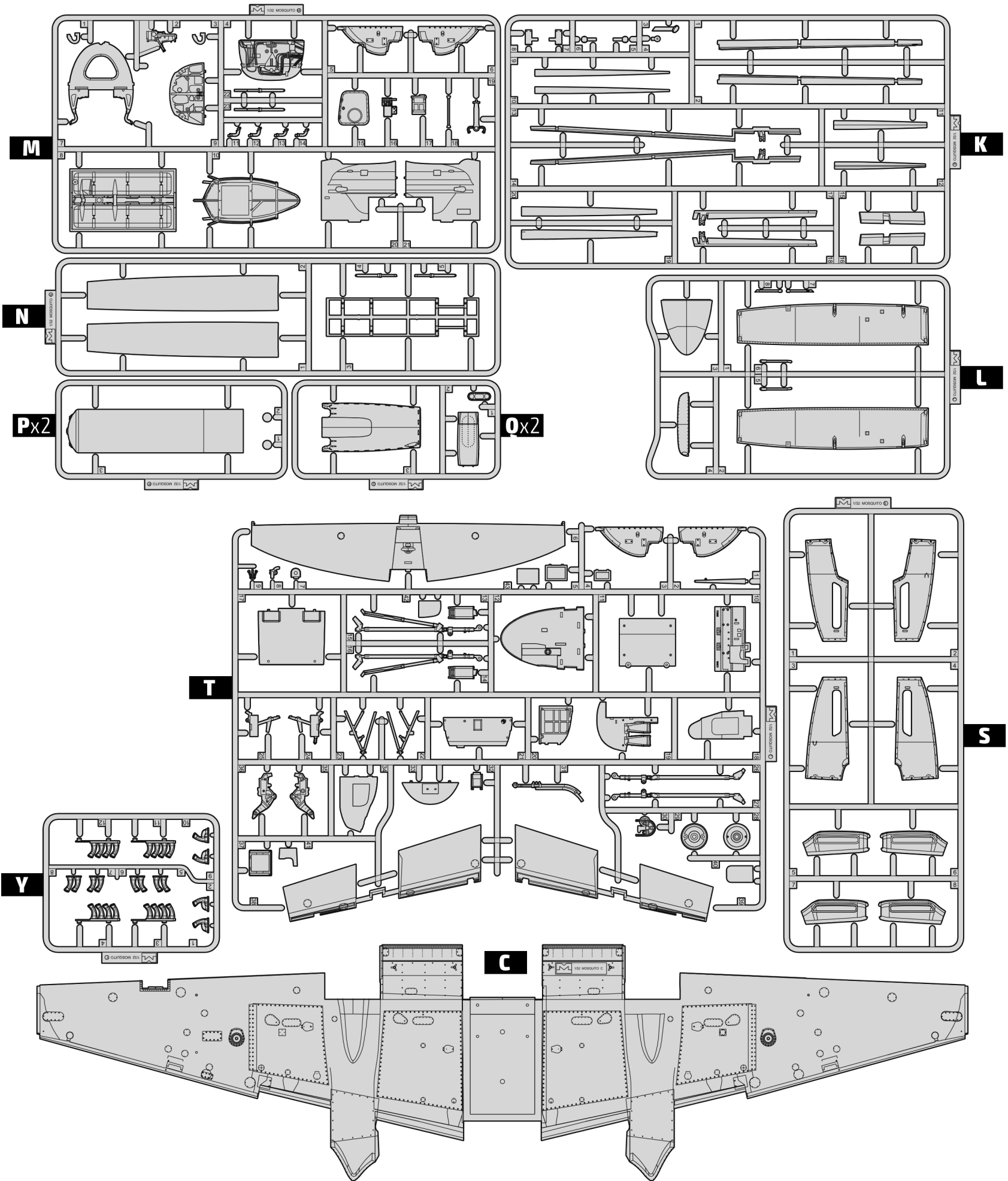


Parts



Clear Parts

Parts



M PE 01E15

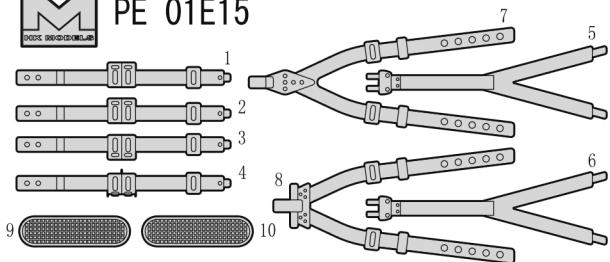
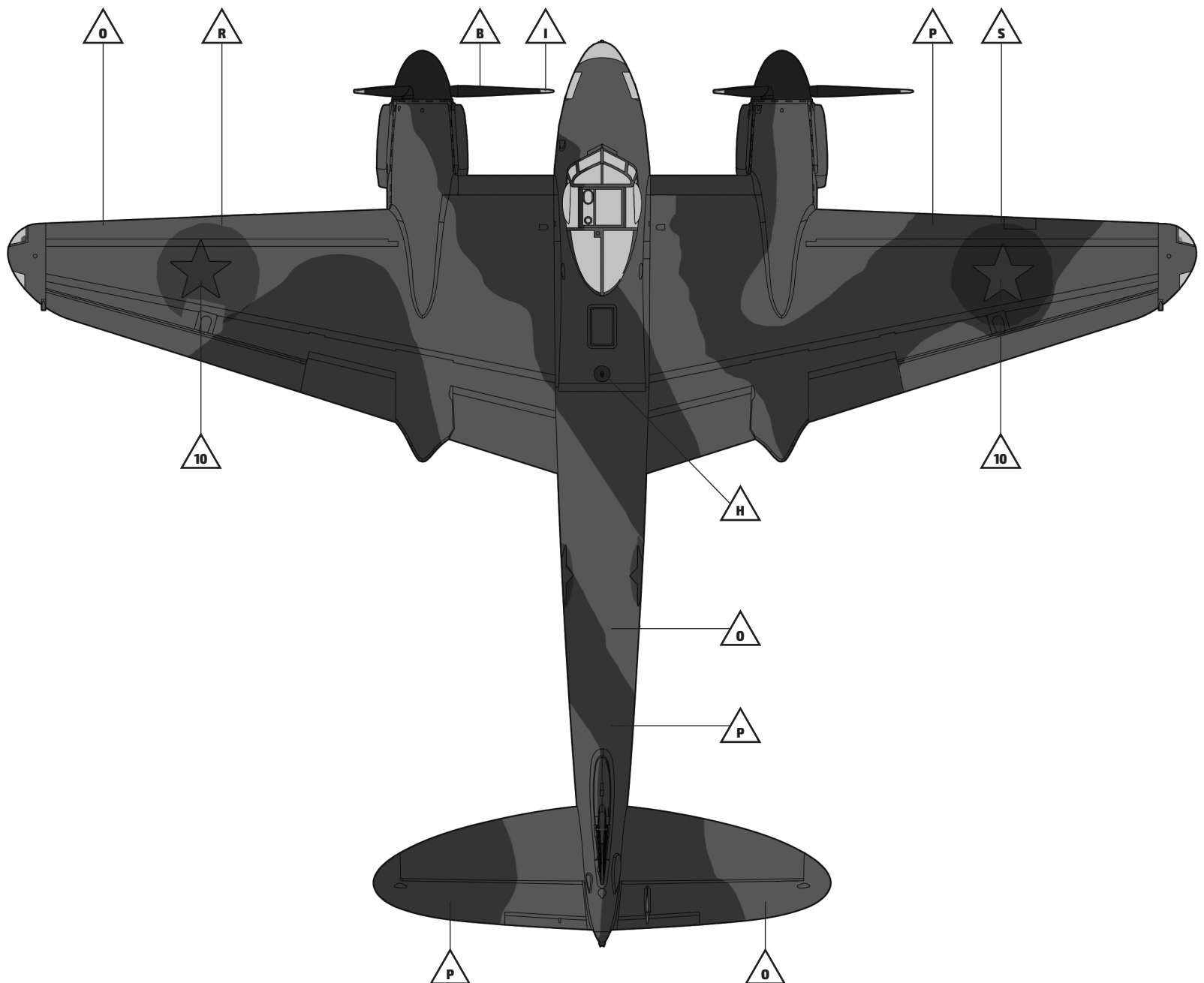
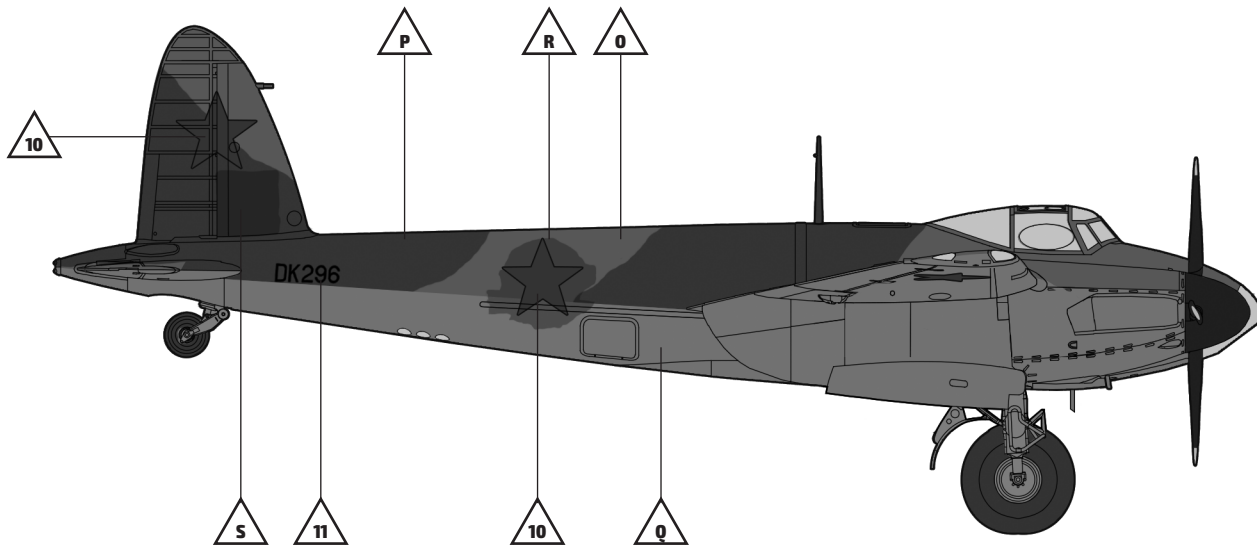
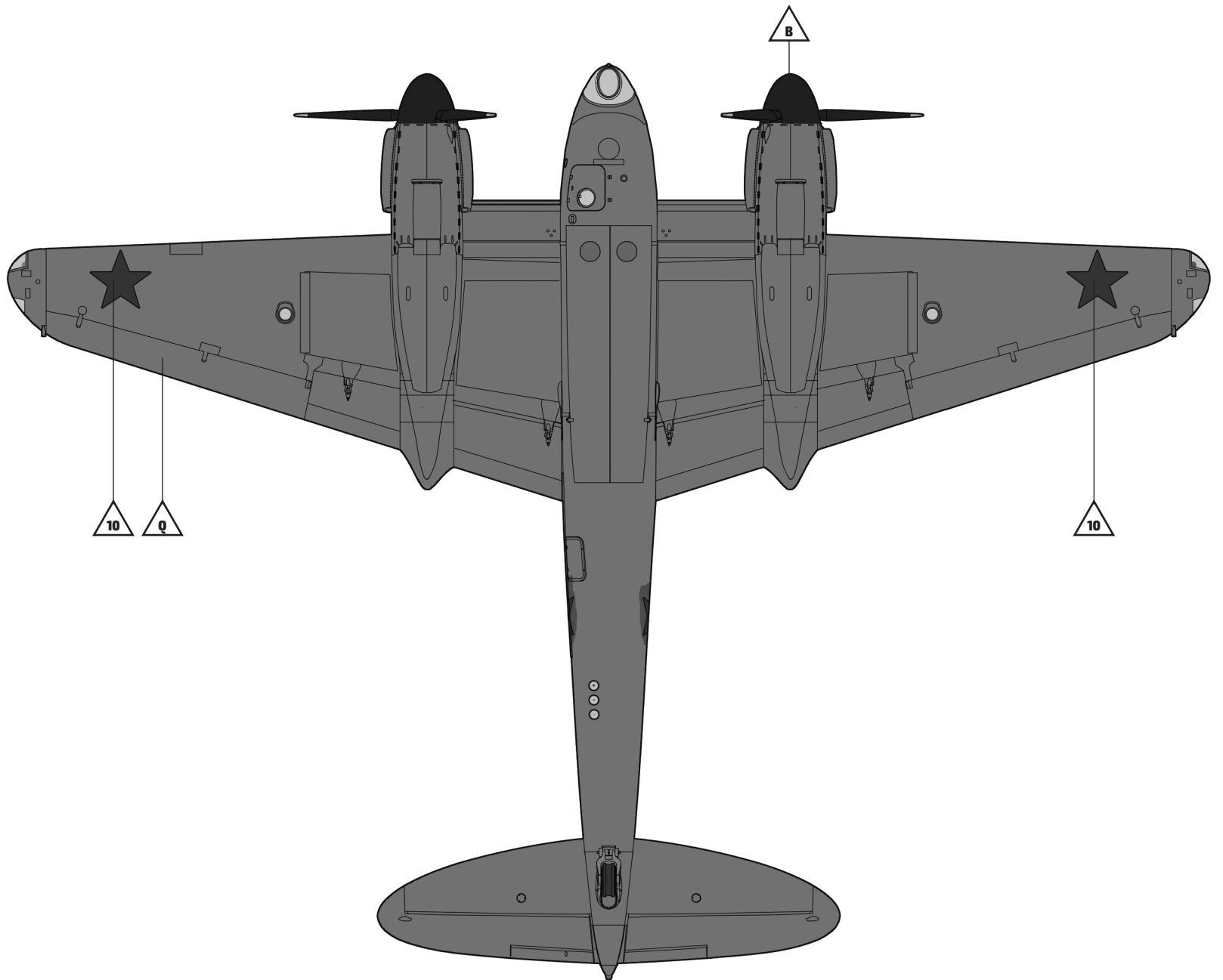
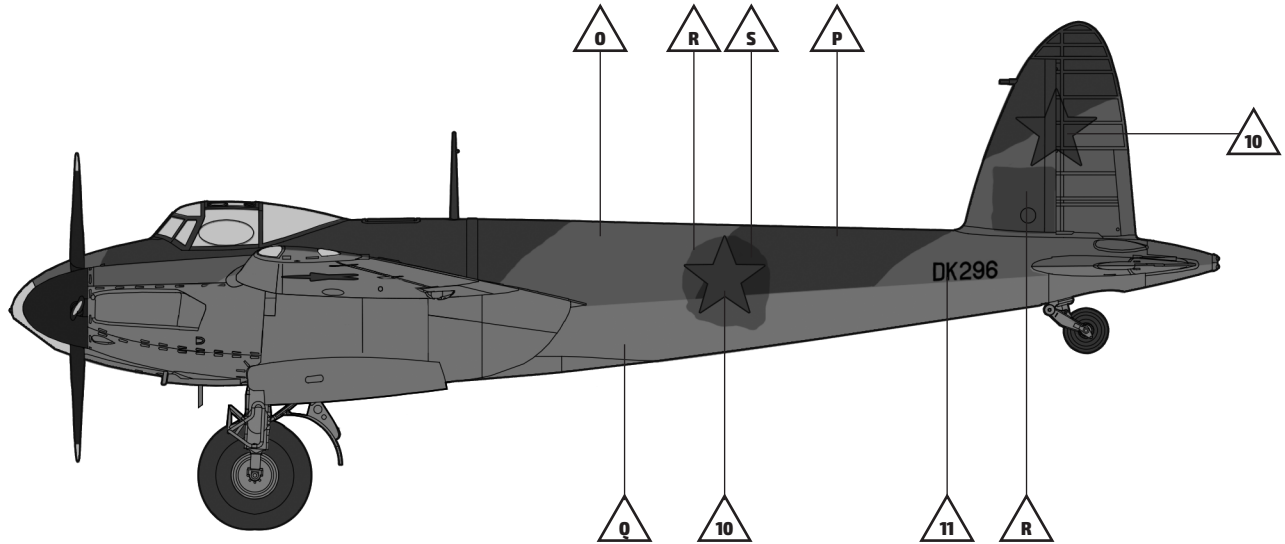
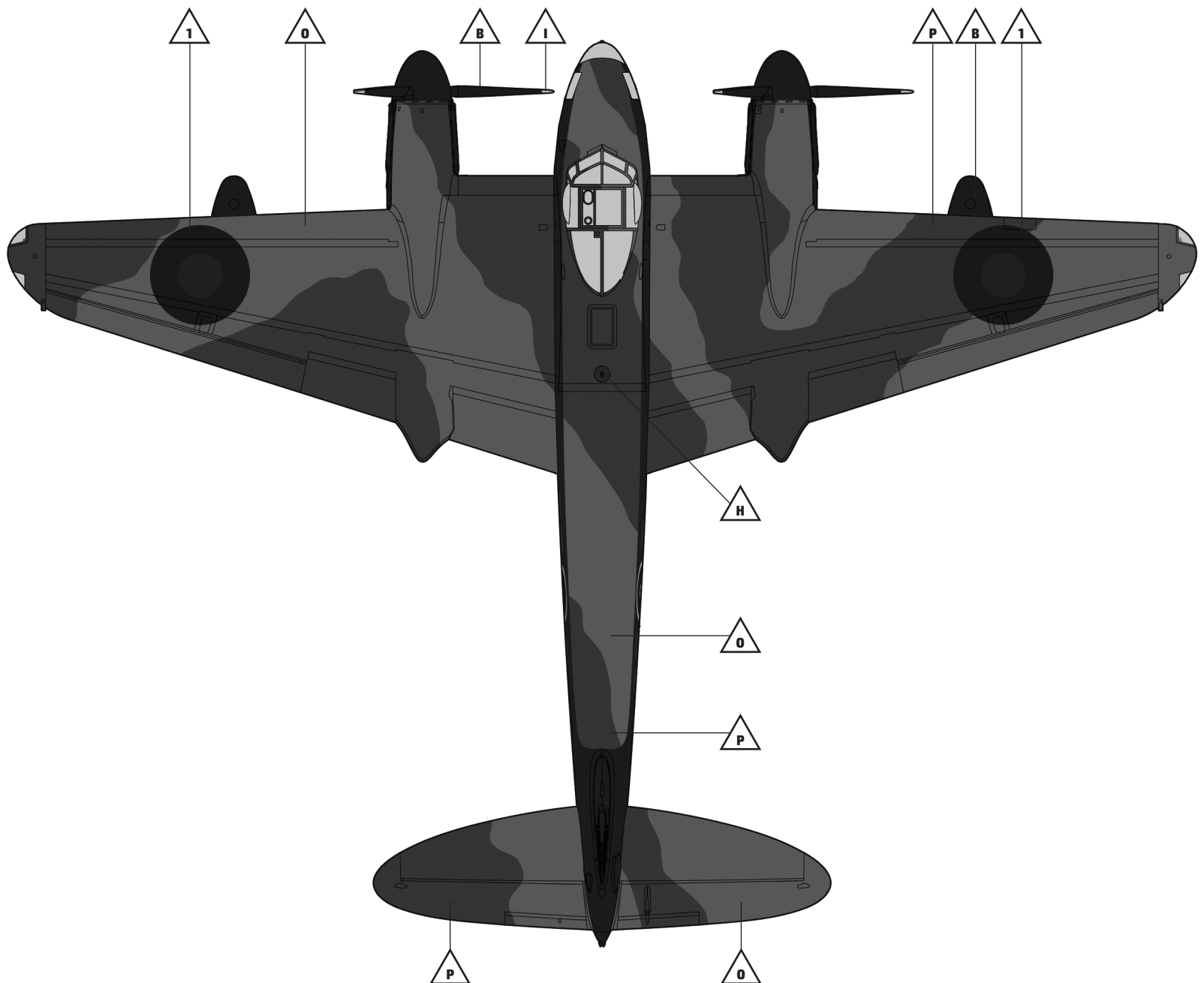
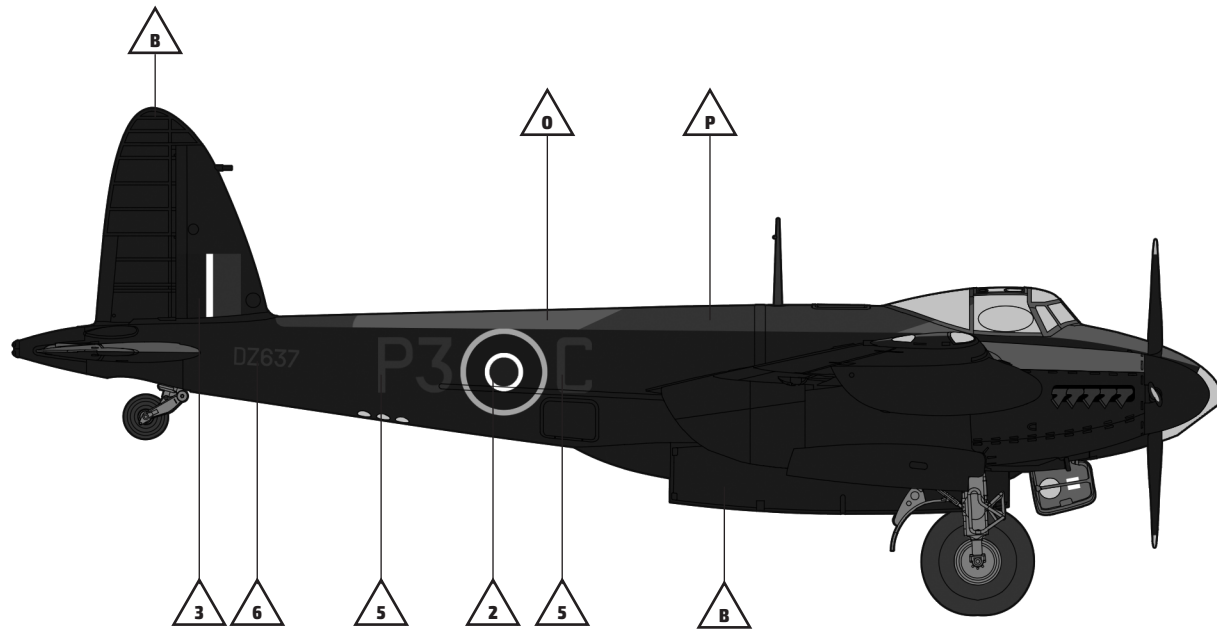
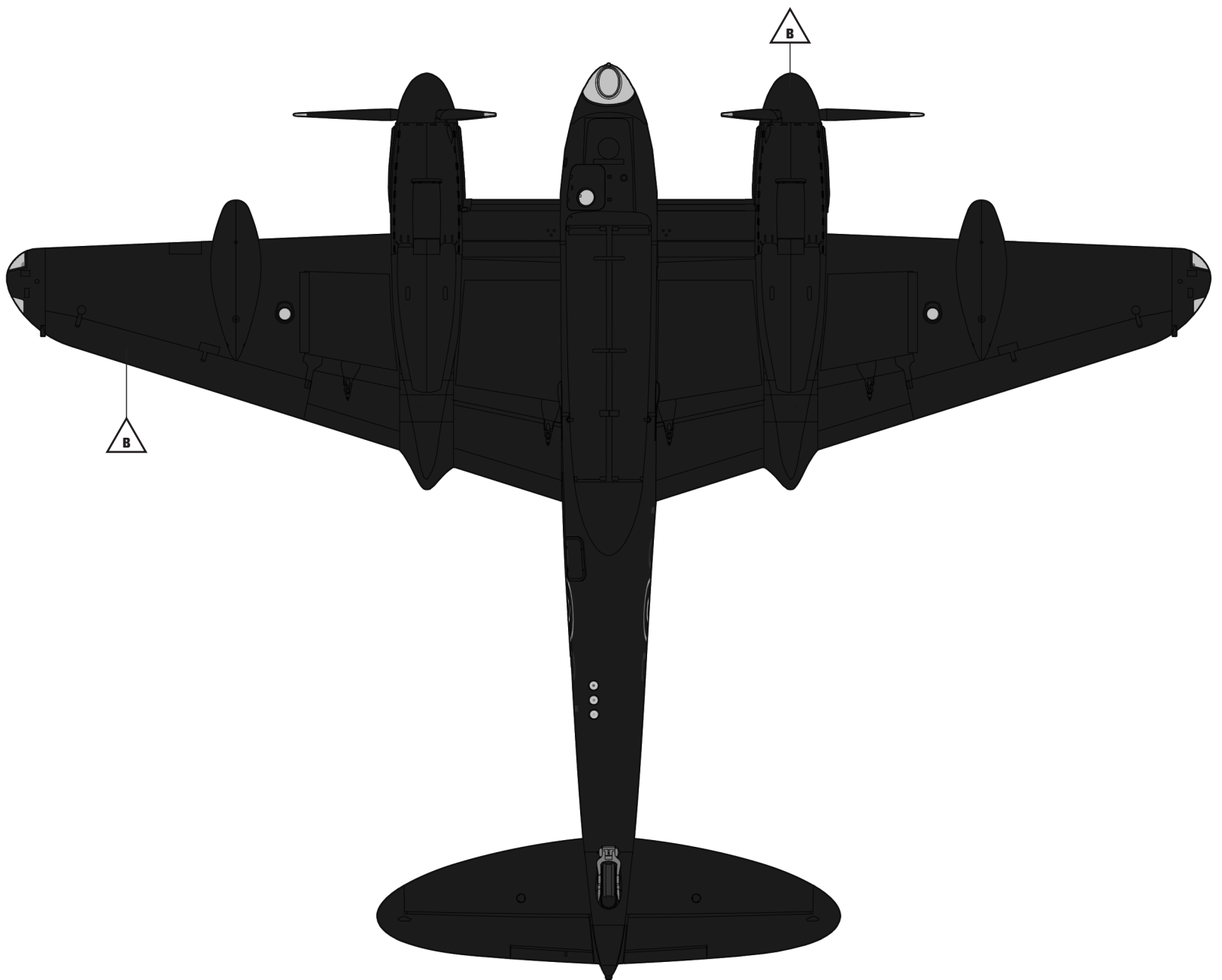
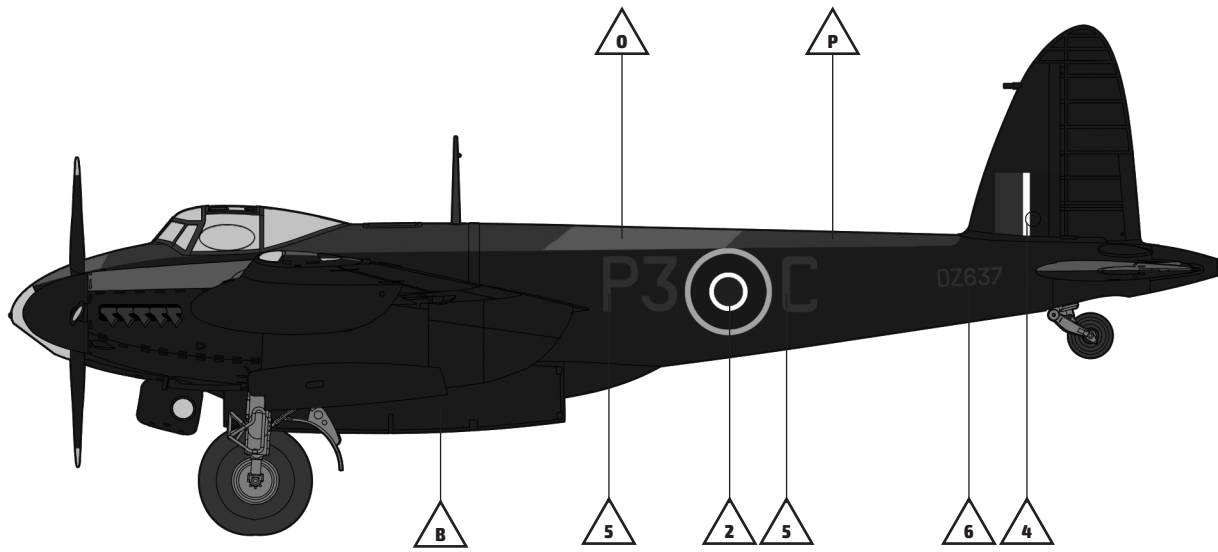


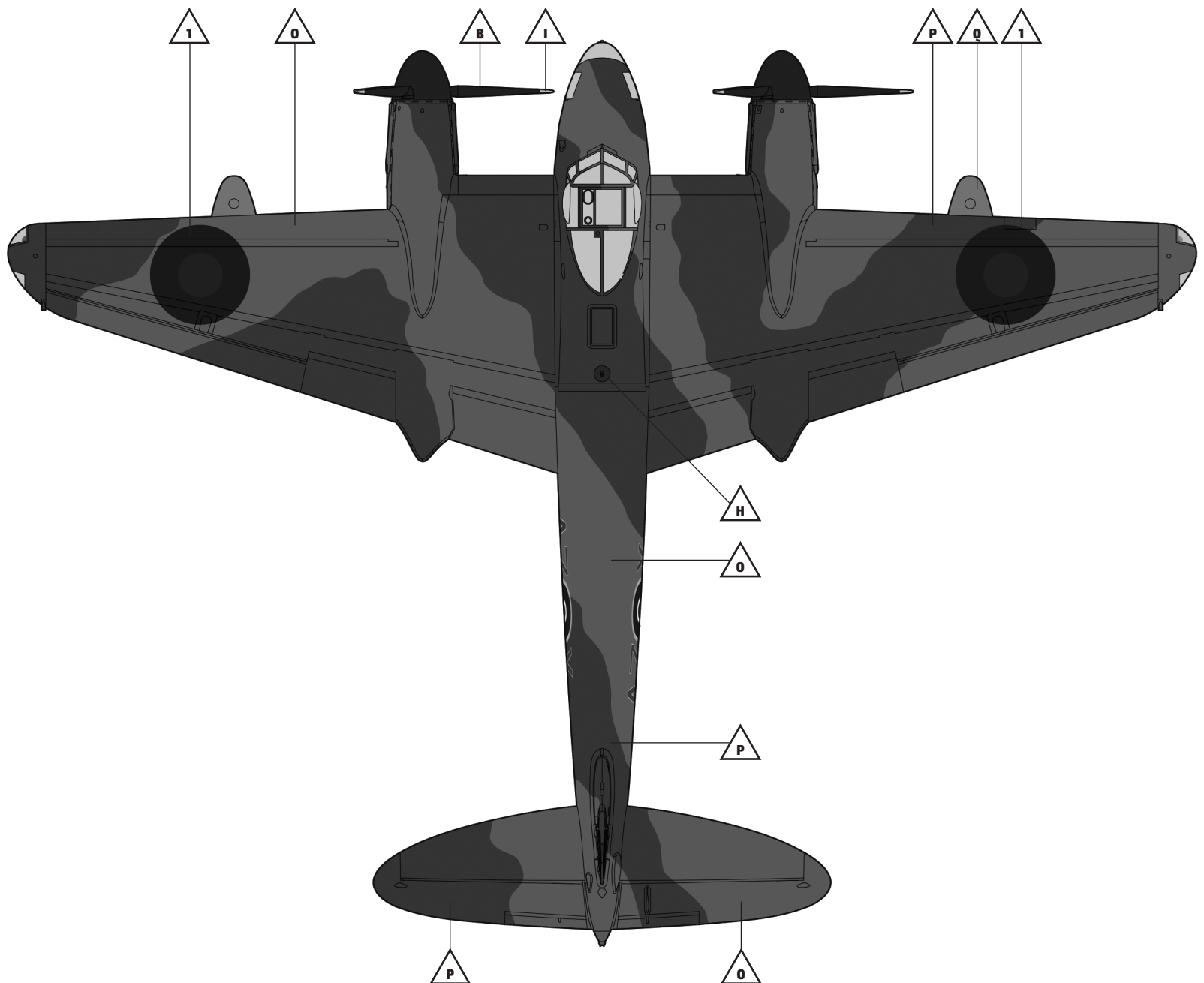
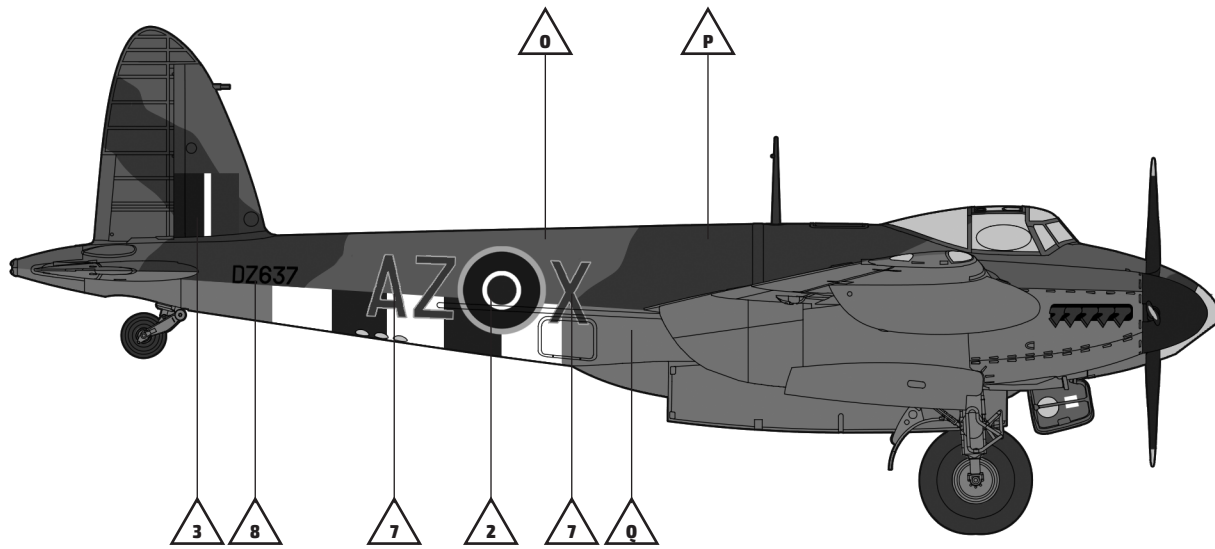
Photo-etched Parts

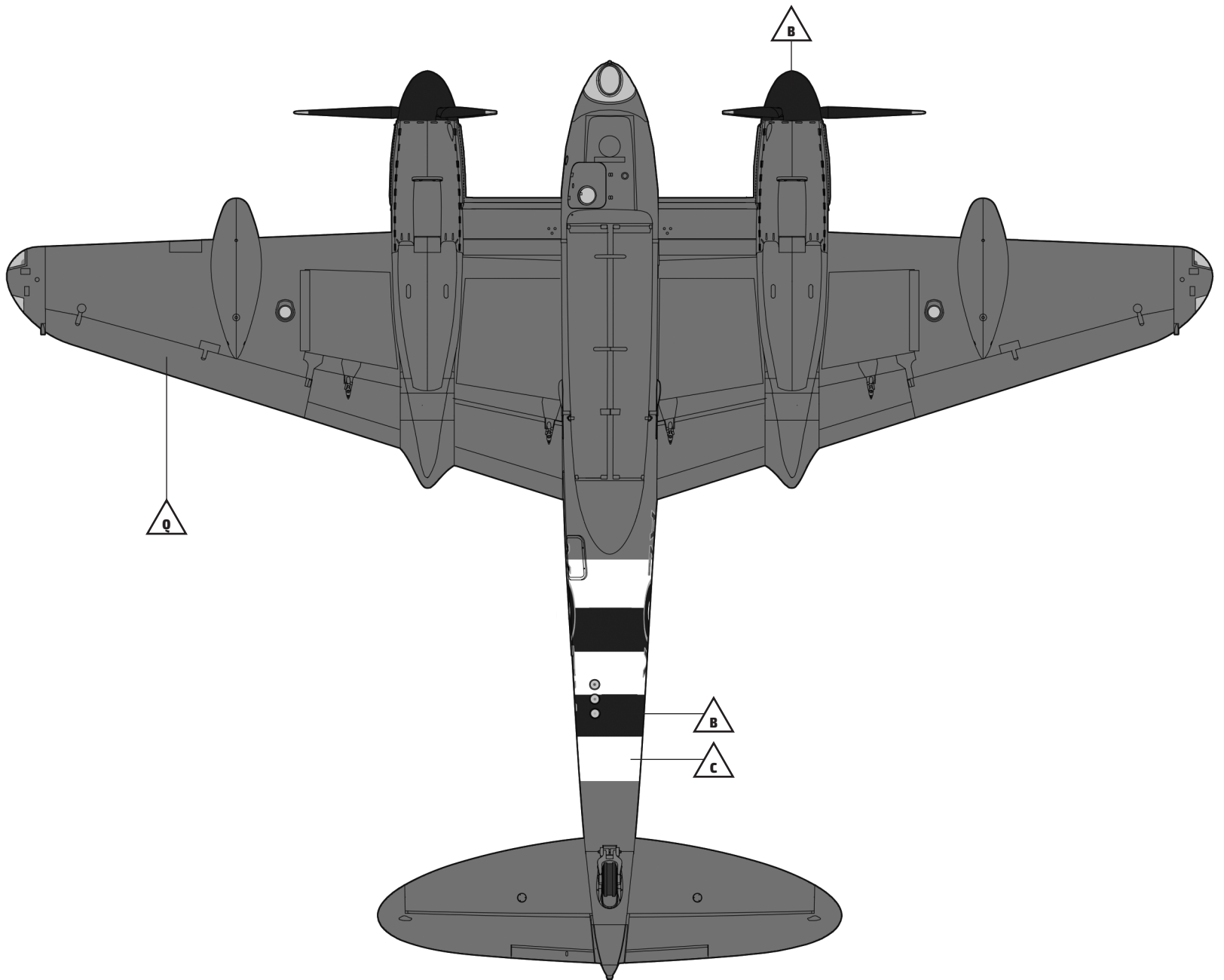
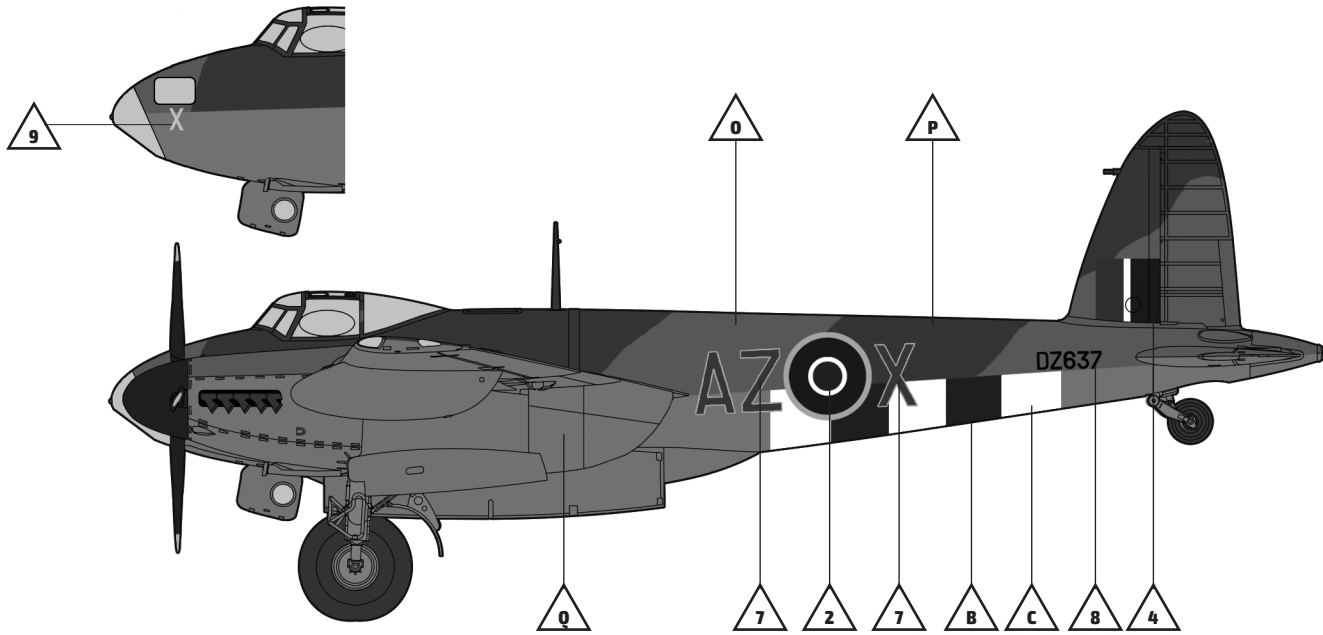




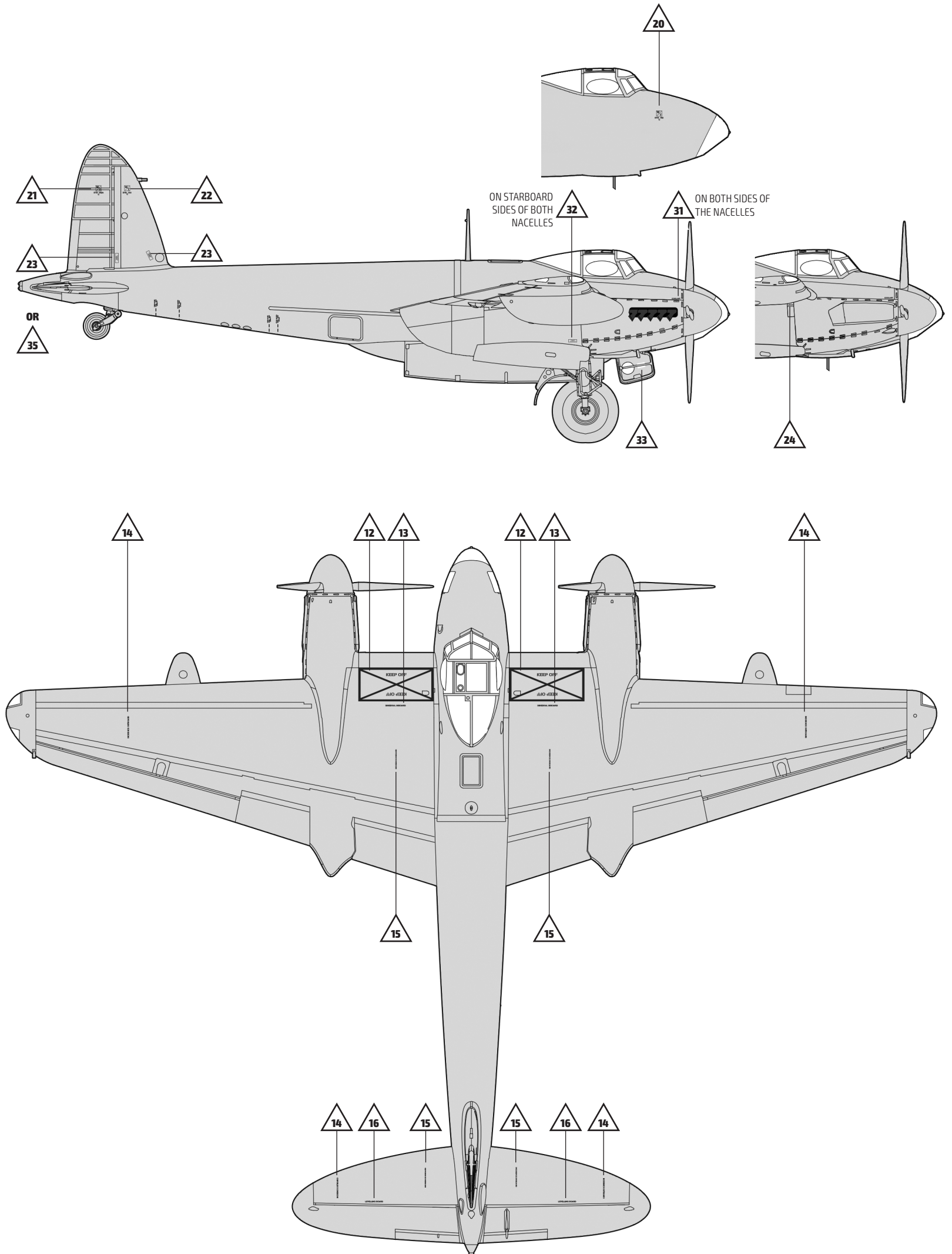




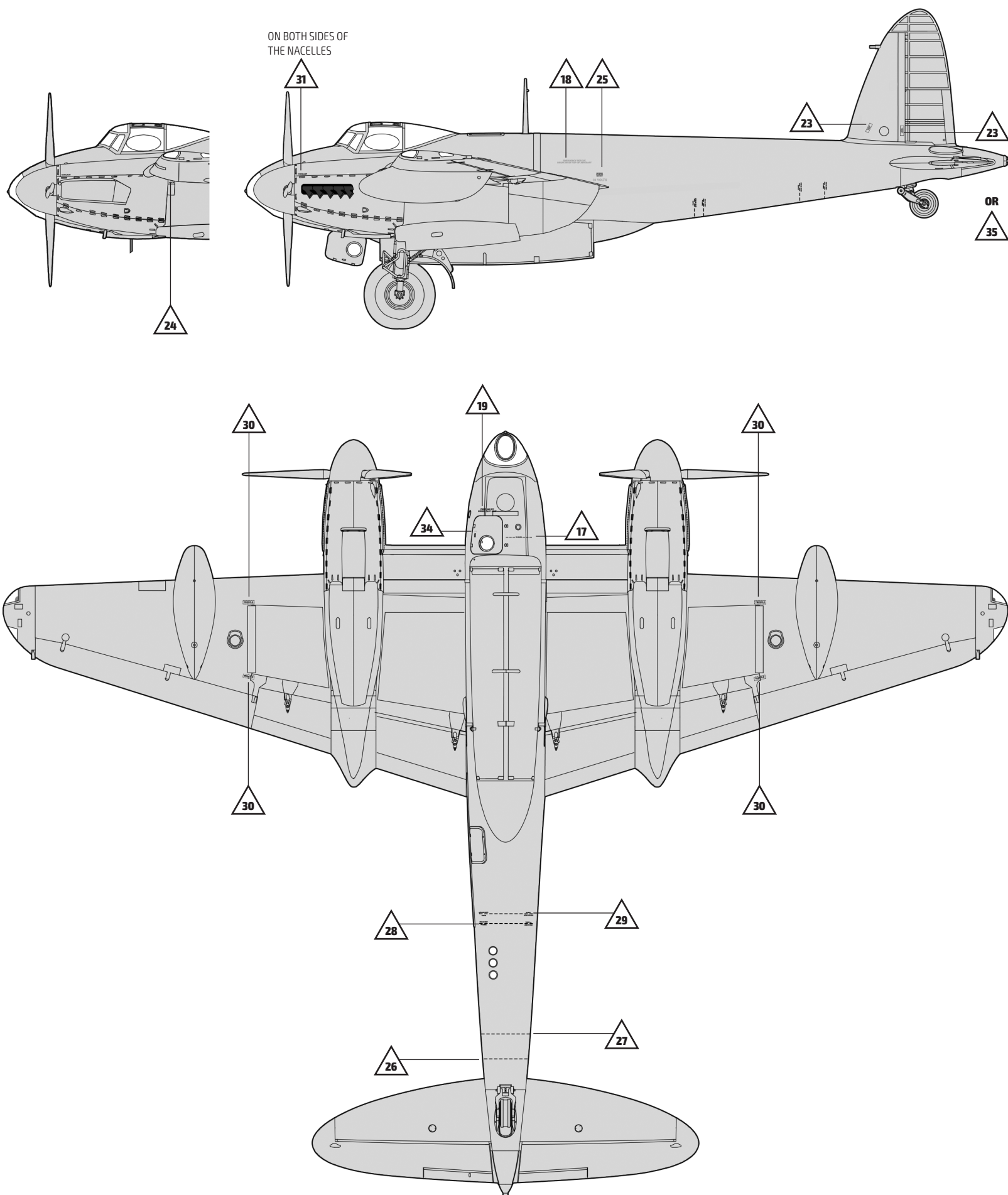




Common Stencils Placement Guide



Common Stencils Placement Guide



Colour Guide

Key	Gunze/Mr.Hobby	Tamiya	AK Interactive
A: RAF Interior Green	C364	XF-5:1 + XF-21:3 + XF-65:1	AK2018
B: Flat Black	H12	XF-1	AK735
C: Flat White	H11	XF-2	AK738
D: Black Green	H65	XF-27	AK2005
E: Flat Red	H13	XF-7	AK740
F: Clear Red	H90	X-27	AK265
G: Silver	H8	X-11	AK481
H: Red Brown	H406	XF-64	AK783
I: Flat Yellow	H4	XF-3	AK739
J: Brass	MC219	X-12	AK475
K: Aluminium	MC218	XF-16	AK479
L: Olive Drab	H52	XF-62	AK133
M: Rubber Black	H77	XF-85	AK720
N: Tan	H27	XF-78	AK787
O: RAF Ocean Grey	C362	XF-82	AK2014
P: RAF Dark Green	C361	XF-81	AK2011
Q: RAF Medium Sea Grey	C363	XF-83	AK2013
R: Clear Blue*	H93	X-23	
S: Clear Green*	H94	X-25	

* Use a mixture of 1 part of colour and 4 parts of its appropriate thinner, and apply this as a filter over the previously applied camouflage colours in order to create the appearance of stripped-off British national markings.

In cooperation with:



www.ak-interactive.com



www.largescalemodeller.com

Illustration, manual layout and format: **Tomek Wajnka**
 Manual and assistance: **James Hatch, Large Scale Modeller & AK-Interactive**
 Prototype build: **James Hatch**