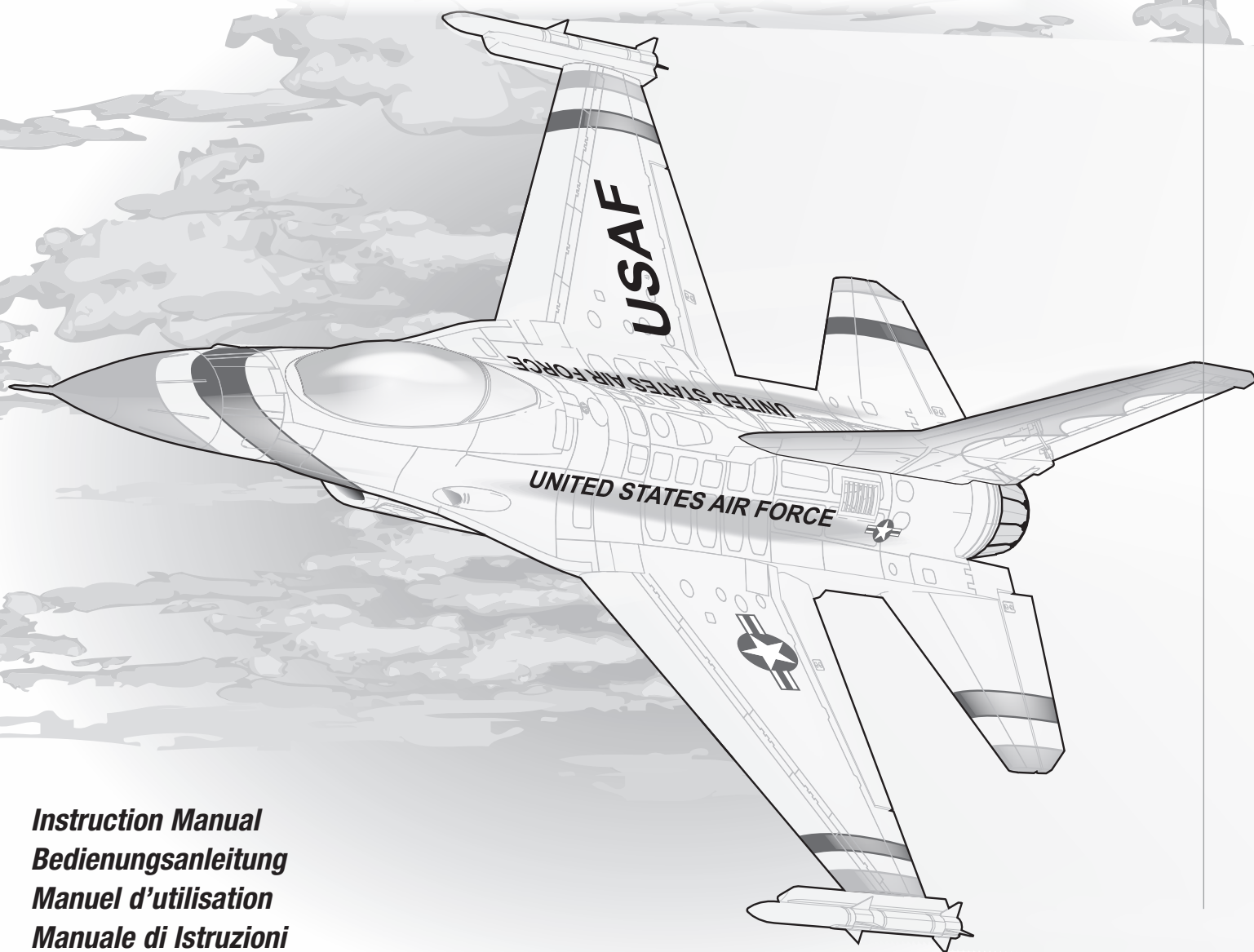


**HORIZON**<sup>®</sup>  
H O B B Y

**Eflite**<sup>®</sup>  
ADVANCING ELECTRIC FLIGHT

# Thunderbird F-16

## with 70mm EDF



*Instruction Manual*  
*Bedienungsanleitung*  
*Manuel d'utilisation*  
*Manuale di Istruzioni*

**SAFE**<sup>®</sup> 

SAFE<sup>®</sup> Select Technology, Optional Flight Envelope Protection

Bind-N-Fly<sup>®</sup> Plug-N-Play<sup>®</sup>  
BASIC

**NOTICE**

All instructions, warranties and other collateral documents are subject to change at the sole discretion of Horizon Hobby, LLC. For up-to-date product literature, visit [www.horizonhobby.com](http://www.horizonhobby.com) or [www.towerhobbies.com](http://www.towerhobbies.com) and click on the support or resources tab for this product.


**Meaning of Special Language:**

The following terms are used throughout the product literature to indicate various levels of potential harm when operating this product:

**WARNING:** Procedures, which if not properly followed, create the probability of property damage, collateral damage, and serious injury OR create a high probability of superficial injury.


**CAUTION:** Procedures, which if not properly followed, create the probability of physical property damage AND a possibility of serious injury.

**NOTICE:** Procedures, which if not properly followed, create a possibility of physical property damage AND little or no possibility of injury.

 **WARNING:** Read the ENTIRE instruction manual to become familiar with the features of the product before operating. Failure to operate the product correctly can result in damage to the product, personal property and cause serious injury.

This is a sophisticated hobby product. It must be operated with caution and common sense and requires some basic mechanical ability. Failure to operate this Product in a safe and responsible manner could result in injury or damage to the product or other property. This product is not intended for use by children without direct adult supervision. Do not use with incompatible components or alter this product in any way outside of the instructions provided by Horizon Hobby, LLC. This manual contains instructions for safety, operation and maintenance. It is essential to read and follow all the instructions and warnings in the manual, prior to assembly, setup or use, in order to operate correctly and avoid damage or serious injury.

**14+** **AGE RECOMMENDATION:**  
Not for children under 14 years. This is not a toy.

 **WARNING AGAINST COUNTERFEIT PRODUCTS:** If you ever need to replace your Spektrum receiver found in a Horizon Hobby product, always purchase from Horizon Hobby, LLC or a Horizon Hobby authorized dealer to ensure authentic high-quality Spektrum product. Horizon Hobby, LLC disclaims all support and warranty with regards, but not limited to, compatibility and performance of counterfeit products or products claiming compatibility with DSM or Spektrum technology.

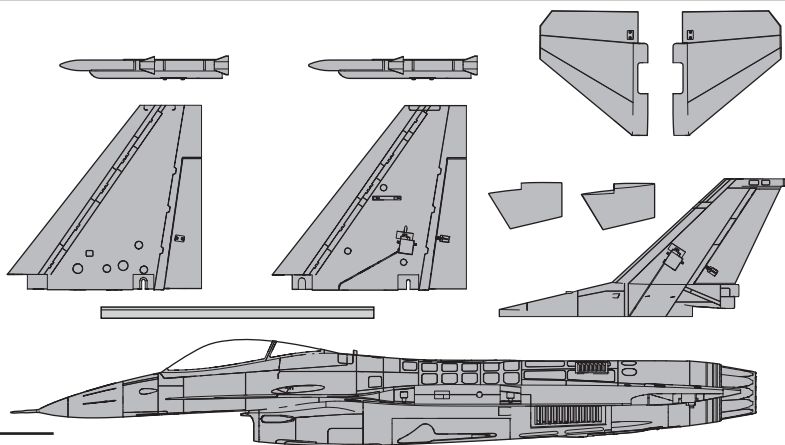
## Safety Precautions and Warnings

As the user of this product, you are solely responsible for operating in a manner that does not endanger yourself and others or result in damage to the product or the property of others.

- Always keep a safe distance in all directions around your model to avoid collisions or injury. This model is controlled by a radio signal subject to interference from many sources outside your control. Interference can cause momentary loss of control.
- Always operate your model in open spaces away from full-size vehicles, traffic and people.
- Always carefully follow the directions and warnings for this and any optional support equipment (chargers, rechargeable battery packs, etc.).
- Always keep all chemicals, small parts and anything electrical out of the reach of children.
- Always avoid water exposure to all equipment not specifically designed and protected for this purpose. Moisture causes damage to electronics.
- Never place any portion of the model in your mouth as it could cause serious injury or even death.
- Never operate your model with low transmitter batteries.
- Always keep aircraft in sight and under control.
- Always use fully charged batteries.
- Always keep transmitter powered on while aircraft is powered.
- Always remove batteries before disassembly.
- Always keep moving parts clean.
- Always keep parts dry.
- Always let parts cool after use before touching.
- Always remove batteries after use.
- Always ensure failsafe is properly set before flying.
- Never operate aircraft with damaged wiring.
- Never touch moving parts.

## Box Contents

Quick Start Information			
<b>Transmitter Setup</b>	Set up your transmitter using the transmitter setup chart		
<b>Travel and Dual Rates</b>		<b>Hi Rate</b>	<b>Low Rate</b>
	Ail	26mm	18mm
	Ele	18mm	14mm
	Rud	20mm	16mm
<b>Center of Gravity (CG)</b>	90 – 110mm back from leading edge of wing at the fuselage.		
<b>Flight Timer Setting</b>	3 minutes		



## Components

		<b>BNF</b> BASIC	<b>PNP</b> PLUG-N-PLAY
	<b>Motor:</b> Motor 2860 KV1850 (EFLM1850)	Installed	Installed
	<b>ESC:</b> 70A Brushless Switch Mode (EFLA1070400EC5)	Installed	Installed
	<b>Servos:</b> (7) (SPMA380, SPMA380R)	Installed	Installed
	<b>Receiver:</b> Spektrum™ AR631 6-Channel Sport Receiver (SPMAR631)	Installed	Required to Complete
	<b>Recommended Battery:</b> 22.2V 3200–4000mAh 30C 6S LiPo with IC5® connector	Required to Complete	Required to Complete
	<b>Recommended Battery Charger:</b> 6-cell Li-Po battery balancing charger	Required to Complete	Required to Complete
	<b>Recommended Transmitter:</b> Full-Range 2.4GHz with Spektrum™ DSM2®/DSMX® technology and adjustable dual rates	Required to Complete	Required to Complete

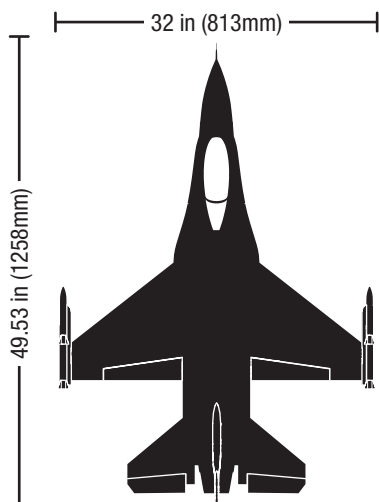
## Table of Contents

SAFE® Select Technology (BNF Basic) .....	4
Preflight .....	4
Transmitter Setup (BNF Basic) .....	4
Model Assembly .....	5
Scale Accessories Optional .....	7
Battery Installation and ESC Arming .....	8
Binding / Switching ON and OFF SAFE Select (BNF Basic) .....	9
SAFE® Select Switch Designation .....	10
Control Horn and Servo Arm Settings .....	10
Center of Gravity (CG) .....	11
AS3X Control Direction Test (BNF Basic) .....	11
In Flight Trimming (BNF Basic) .....	11
Flying Tips and Repairs .....	12
PNP Receiver Selection and Installation .....	12
Post Flight .....	13
Motor Service .....	13
Troubleshooting Guide AS3X .....	13
Troubleshooting Guide .....	14
AMA National Model Aircraft Safety Code .....	15
Limited Warranty .....	16
Contact Information .....	16
FCC Information .....	17
IC Information .....	17
Compliance Information for the European Union .....	17
Recommended Receivers .....	62
Replacement Parts .....	62
Optional Parts .....	63

## Required Adhesives



Medium CA



73.7oz (2090g)

If you own this product, you may be required to register with the FAA.

For up-to-date information on how to register with the FAA, visit <https://registermyuas.faa.gov/>.

For additional assistance on regulations and guidance on UAS usage, visit [knowbeforeyoufly.org/](http://knowbeforeyoufly.org/).

## SAFE® Select Technology (BNF Basic)

The evolutionary SAFE® Select technology can offer an extra level of protection so you can perform the first flight with confidence. No complex transmitter programming is required. Just follow the simple bind process to make the SAFE Select system active. When activated, bank and pitch limitations keep you from over-controlling and automatic self-leveling makes recovery from risky or confusing attitudes as simple as releasing the sticks. In fact, with the aileron, elevator and rudder sticks in the neutral position, SAFE Select will automatically keep the airplane in a straight and level attitude.

Expand the advantage of what SAFE® Select technology offers by assigning it to a switch. No transmitter programming is required and you'll be able to turn the system ON and OFF with the flip of a switch. Turn it OFF in flight for unrestricted aerobatic performance, and turn it back ON when a buddy wants to try out your cool aircraft. Turn SAFE Select ON for landings. It will help keep the correct pitch attitude and wings level during the final approach. Whether you're a beginner or an expert, SAFE Select can make your flights a great experience.

When the normal bind process is followed, the SAFE Select system is disabled, leaving specially tuned AS3X® technology in place to deliver a pure, unrestricted flight experience.

## Preflight

1. Remove and inspect contents.
2. Read this instruction manual thoroughly.
3. Charge the flight battery.
4. Setup Transmitter using transmitter setup chart.
5. Fully assemble the airplane.
6. Install the flight battery in the aircraft (once it has been fully charged).
7. Check the Center of Gravity (CG).
8. Bind the aircraft to your transmitter.
9. Make sure linkages move freely.
10. Test the landing gear operation.
11. Perform the Control Direction Test with the transmitter.
12. Perform the AS3X Control Direction Test with the aircraft.
13. Adjust flight controls and transmitter.
14. Perform a radio system Range Test.
15. Find a safe open area to fly.
16. Plan flight for flying field conditions.

## Transmitter Setup (BNF Basic)

**IMPORTANT:** After you set up your model, always rebind the transmitter and receiver to set the desired failsafe positions.

### Dual Rates

Take first flights in Low Rate. For landings, use high rate elevator.

**NOTICE:** To ensure AS3X® technology functions properly, do not lower rate values below 50%. If lower rates are desired, manually adjust the position of the pushrods on the servo arm.

**NOTICE:** If oscillation occurs at high speed, refer to the Troubleshooting Guide for more information.

### Expo

After first flights, you may adjust expo in your transmitter.

### Retractable landing gear

Move the Channel 5 (gear) switch to raise or lower the retractable landing gear.

Computerized Transmitter Setup	
Start all transmitter programming with a blank ACRO model (perform a model reset), then name the model.	
Set Timer to	3 minutes
Set Dual Rates to	HIGH 100%
	LOW 70%
Set Servo Travel to	100%
Set Throttle Cut to	-130%
Set Gear Channel to	Reverse
<b>DXe</b>	Refer to spektrumrc.com for the appropriate download setup.
<b>DX6i</b>	1. Go to the SETUP LIST MENU 2. Set MODEL TYPE: ACRO
<b>DX7S</b>	1. Go to the SYSTEM SETUP
<b>DX8</b>	2. Set MODEL TYPE: AIRPLANE
<b>DX6e</b> <b>DX6 (Gen2)</b> <b>DX7 (Gen2)</b> <b>DX8e</b> <b>DX8 (Gen2)</b> <b>DX9</b> <b>DX10t</b> <b>DX18</b> <b>DX20</b> <b>iX12</b> <b>iX20</b>	1. Go to the SYSTEM SETUP (Model Utilities) <sup>†</sup>  2. Set MODEL TYPE: AIRPLANE

<sup>†</sup> iX12, iX20 terminology

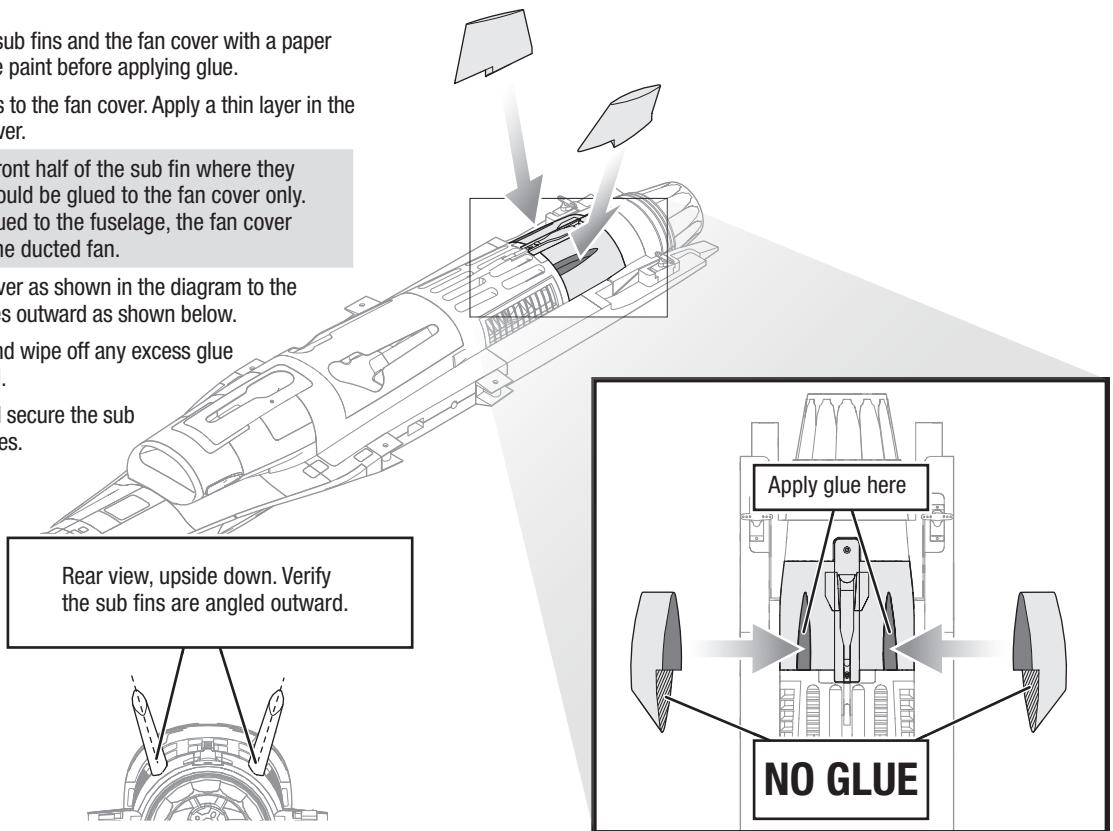
## Model Assembly

### Sub Fin Installation

1. Wipe the mounting areas on the sub fins and the fan cover with a paper towel to pick up any dust or loose paint before applying glue.
2. Use CA glue to attach the sub fins to the fan cover. Apply a thin layer in the fin mounting cavity on the fan cover.

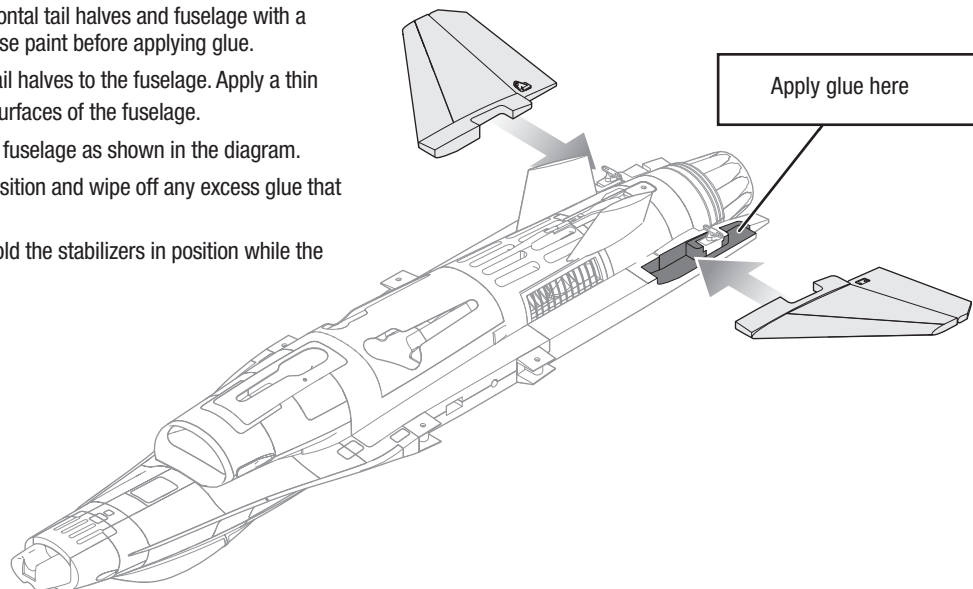
**NOTICE:** Do not apply glue to the front half of the sub fin where they meet the fuselage. The sub fins should be glued to the fan cover only. If the front half sub fins are also glued to the fuselage, the fan cover cannot be removed for access to the ducted fan.

3. Insert the sub fins into the fan cover as shown in the diagram to the right. Verify the sub fins are angled outward as shown below.
4. Press the sub fins into position and wipe off any excess glue that seeps out with a paper towel.
5. Leave the model level upside and secure the sub fins in position while the glue cures.



### Horizontal Tail Installation

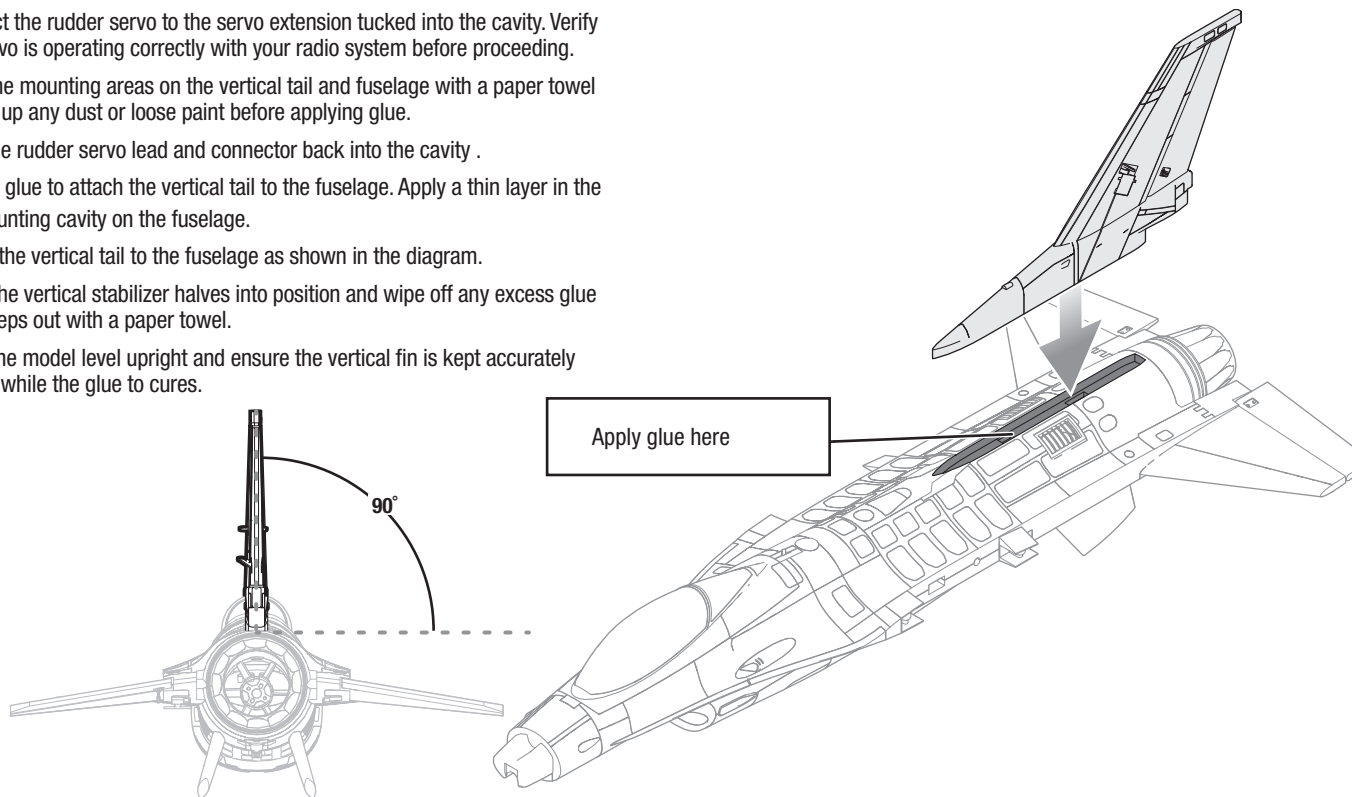
1. Wipe the mounting areas on the horizontal tail halves and fuselage with a paper towel to pick up any dust or loose paint before applying glue.
2. Use CA glue to attach the horizontal tail halves to the fuselage. Apply a thin layer on the horizontal tail mounting surfaces of the fuselage.
3. Attach the horizontal tail halves to the fuselage as shown in the diagram.
4. Press the horizontal tail halves into position and wipe off any excess glue that seeps out with a paper towel.
5. Leave the model level upside down hold the stabilizers in position while the glue cures.



## Model Assembly *Continued*

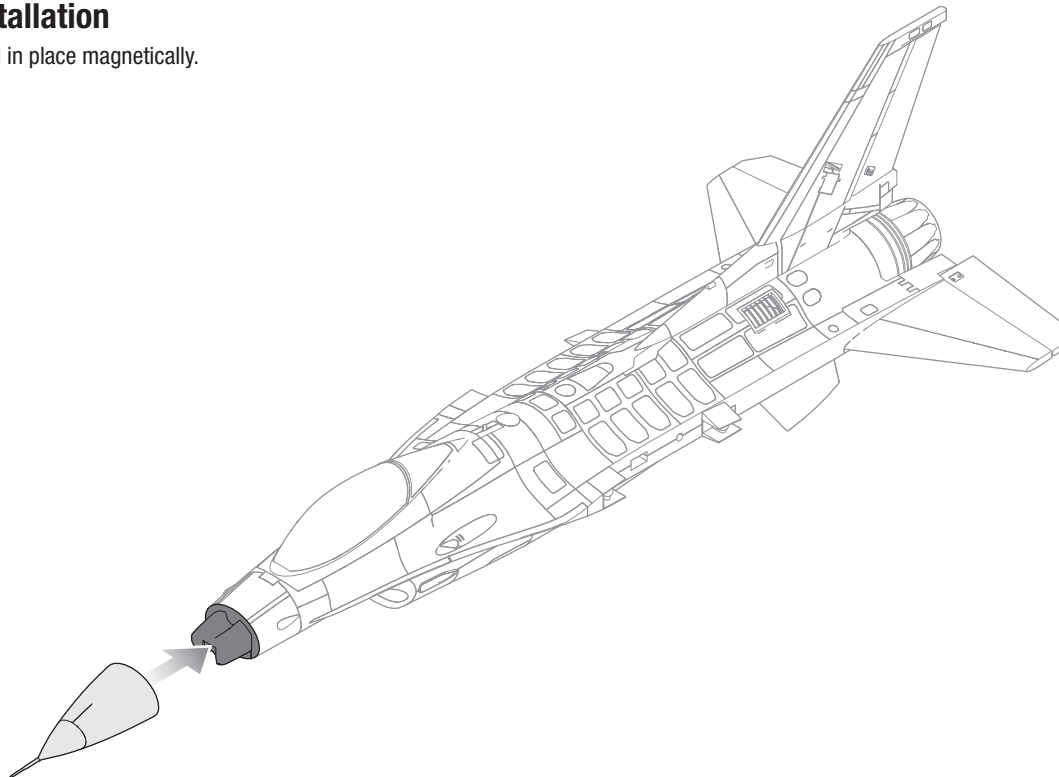
### Vertical Tail Installation

1. Connect the rudder servo to the servo extension tucked into the cavity. Verify the servo is operating correctly with your radio system before proceeding.
2. Wipe the mounting areas on the vertical tail and fuselage with a paper towel to pick up any dust or loose paint before applying glue.
3. Tuck the rudder servo lead and connector back into the cavity .
4. Use CA glue to attach the vertical tail to the fuselage. Apply a thin layer in the tail mounting cavity on the fuselage.
5. Attach the vertical tail to the fuselage as shown in the diagram.
6. Press the vertical stabilizer halves into position and wipe off any excess glue that seeps out with a paper towel.
7. Leave the model level upright and ensure the vertical fin is kept accurately aligned while the glue to cures.



### Nose Cone Installation

1. The nose cone held in place magnetically.



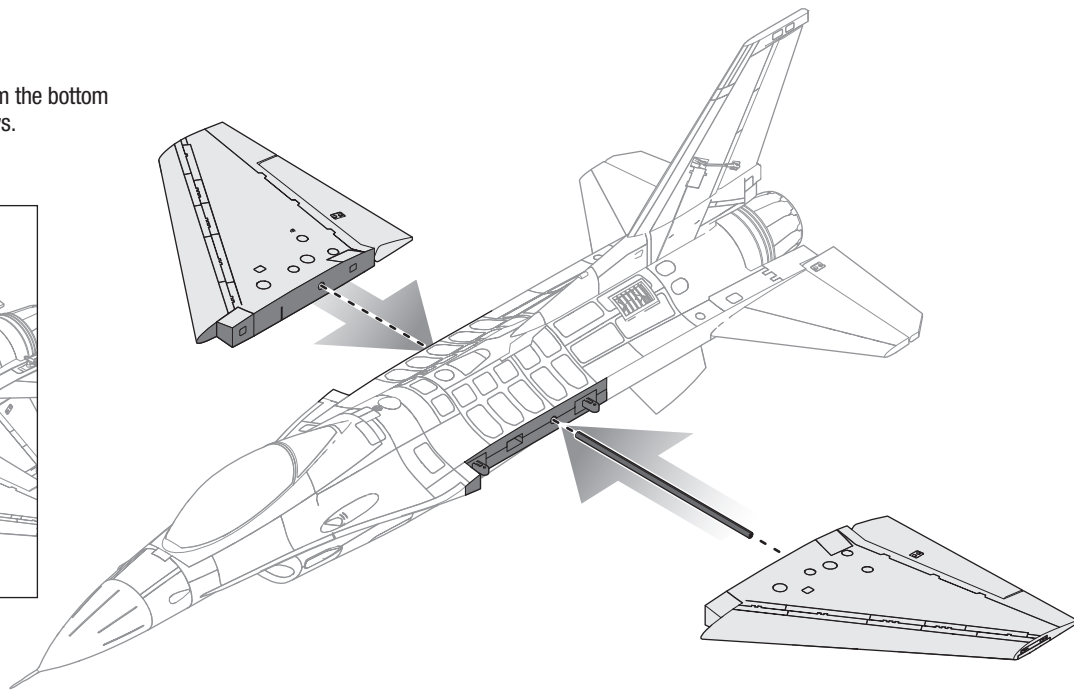
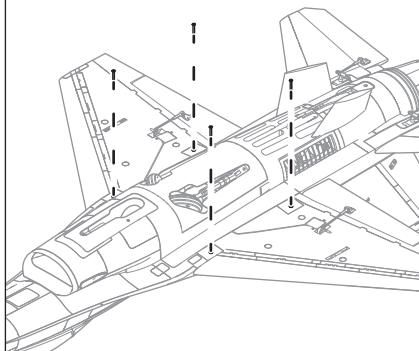
## Model Assembly *Continued*

### Wing Installation

1. Slide the wing tube into the fuselage.
2. Slide the wings onto the wing tube.
3. Secure the wing halves into position from the bottom using the four included 3 x 16mm screws.

Disassemble in reverse order.

3 x 16mm Phillips head machine



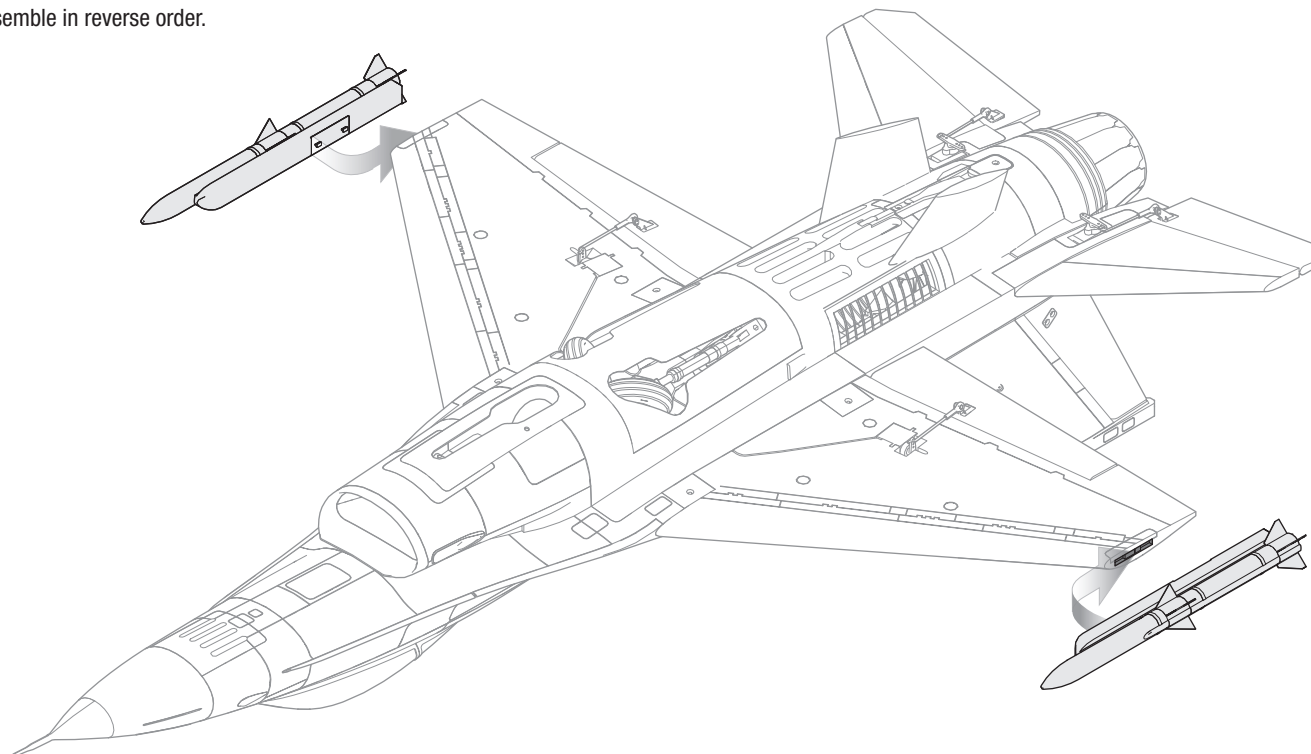
## Scale Accessories *Optional*

### Armament Installation

The fake missiles may be installed for flight or removed as desired.

1. Insert the mounting tab into the mounting bracket.
2. Slide the missile backward to lock the tab in place.

Disassemble in reverse order.



## Battery Installation and ESC Arming

### Battery Selection

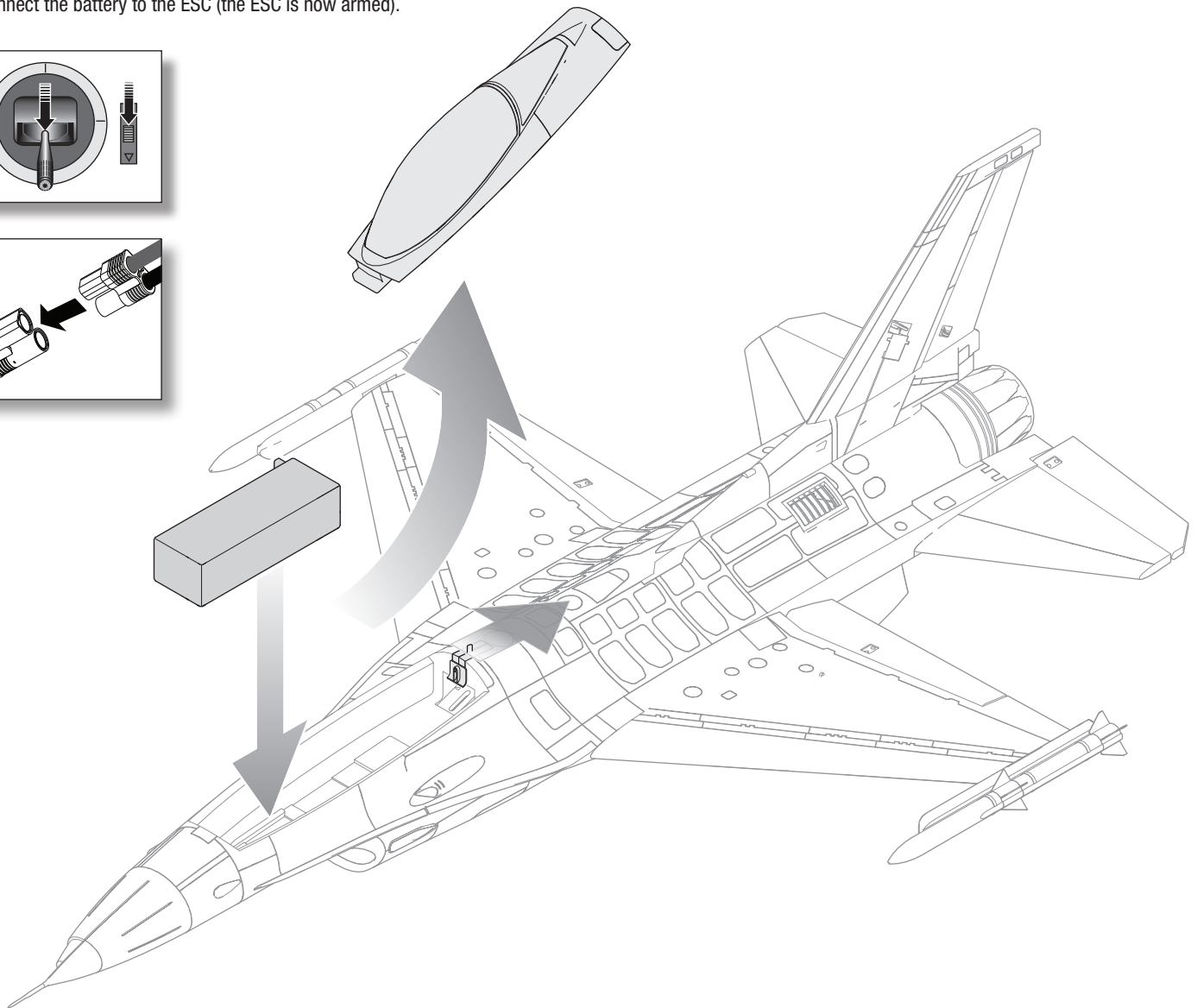
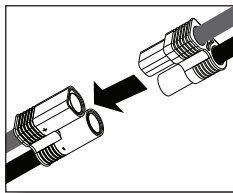
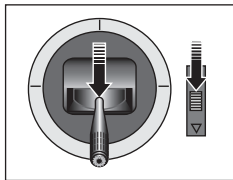
The Spektrum 3200mAh 22.2V 6S 50C Li-Po battery (SPMX32006S50) is recommended. Refer to the Optional Parts List for other recommended batteries. If using a battery other than those listed, the battery should be within the range of capacity, dimensions and weight of the Spektrum Li-Po battery packs to fit in the fuselage. Be sure the model balances at the recommended CG before flying.

1. Lower the throttle to the lowest settings. Power on the Transmitter, then wait 5 seconds.
2. Slide the hatch latch rearward and lift the hatch.
3. Install the fully charged battery in the middle of the battery compartment, as shown. Secure using the hook and loop strap.
4. Connect the battery to the ESC (the ESC is now armed).

5. Keep the aircraft immobile and away from wind upright and on flat surface, or the system will not initialize. When the model initializes it will;

- Produce a series of sounds from the motor. A single tone followed immediately by three or four tones, which indicates cell count.
- Illuminate an LED on the receiver.

6. Reinstall the battery hatch.





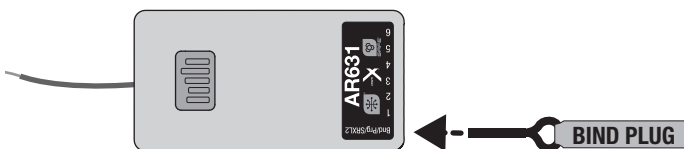
## Transmitter and Receiver Binding / Switching ON and OFF SAFE Select (BNF Basic)

This product requires an approved Spektrum™ DSM2®/DSMX® compatible transmitter. Visit [www.bindnfly.com](http://www.bindnfly.com) for a complete list of approved transmitters.

The aircraft has an optional SAFE Select feature, which can be switched ON or OFF easily by binding in a specific manner as described below.

**IMPORTANT:** Before binding a transmitter, read the Transmitter Setup section of this manual to ensure that your transmitter is properly programmed for this aircraft.

### Bind Plug Installation



### Binding Procedure / Switching ON SAFE Select

**IMPORTANT:** The included AR631 receiver has been programmed for operation specifically for this aircraft. Refer to the receiver manual for correct setup if the receiver is replaced or is used in another aircraft.

**CAUTION:** When using a Futaba® transmitter with a Spektrum DSM module, you must reverse the throttle channel and rebind. Refer to your Spektrum module manual for binding and failsafe instructions. Refer to your Futaba transmitter manual for instructions on reversing the throttle channel.

1. Make sure the transmitter is powered off.
2. Move the transmitter controls to neutral (flight controls: rudder, elevators and ailerons) or to low positions (throttle, throttle trim).\*
3. Install a bind plug in the receiver bind port.
4. Place the aircraft level on its wheels, then connect the flight battery to the ESC. The ESC will produce a series of sounds. Six flat tones followed immediately by two ascending tones confirm that the LVC is set correctly for the ESC. The orange bind LED on the receiver will begin to flash rapidly.

#### 5. Remove the bind plug from the bind port.

6. Take three steps away from the aircraft /receiver and then power ON the transmitter while holding the transmitter bind button or switch. Refer to your transmitter's manual for specific binding instructions.

**IMPORTANT:** Do not point the transmitter's antenna directly at the receiver while binding.

**IMPORTANT:** Keep away from large metal objects while binding.

7. The receiver is bound to the transmitter when the orange bind light on the receiver stays orange. The ESC will produce a series of sounds. Six flat tones followed immediately by two ascending tones. The tones indicate the ESC is armed, provided the throttle stick and throttle trim are low enough to trigger arming.

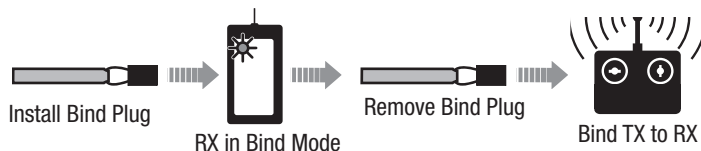
**IMPORTANT:** Once bound, the receiver will retain its bind settings for that transmitter until it has been intentionally changed, even when power is cycled ON and OFF. Repeat the binding process as necessary.

#### SAFE Select ON Indication

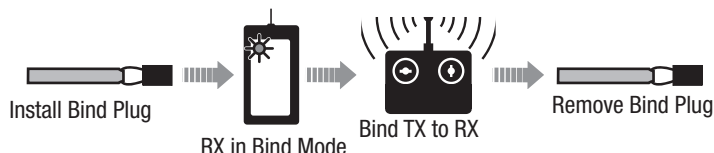
Every time the receiver is powered ON the surfaces will cycle back and forth **twice** with a slight pause at neutral position to indicate that SAFE Select is switched ON.

The throttle will not arm if the transmitter's throttle control is not put at the lowest position. If problems are encountered, follow the binding instructions and refer to the transmitter troubleshooting guide for other instructions. If needed, contact the appropriate Horizon Product Support office.

### Switching ON SAFE Select Binding Sequence



### Switching OFF SAFE Select Binding Sequence



### Binding Procedure / Switching OFF SAFE Select

**IMPORTANT:** The included AR631 receiver has been programmed for operation specifically for this aircraft. Refer to the receiver manual for correct setup if the receiver is replaced or is used in another aircraft.

**CAUTION:** When using a Futaba® transmitter with a Spektrum DSM module, you must reverse the throttle channel and rebind. Refer to your Spektrum module manual for binding and failsafe instructions. Refer to your Futaba transmitter manual for instructions on reversing the throttle channel.

1. Make sure the transmitter is powered off.
2. Move the transmitter controls to neutral (flight controls: rudder, elevators and ailerons) or to low positions (throttle, throttle trim).\*
3. Install a bind plug in the receiver bind port.
4. Place the aircraft level on its wheels, then connect the flight battery to the ESC. The ESC will produce a series of sounds. Six flat tones followed immediately by two ascending tones confirm that the LVC is set correctly for the ESC.

**The orange bind LED on the receiver will begin to flash rapidly. DO NOT remove the bind plug at this time.**

5. Take three steps away from the aircraft /receiver and then power ON the transmitter while holding the transmitter bind button or switch. Refer to your transmitter's manual for specific binding instructions.

**IMPORTANT:** Do not point the transmitter's antenna directly at the receiver while binding.

**IMPORTANT:** Keep away from large metal objects while binding.

6. The receiver is bound to the transmitter when the orange bind light on the receiver stays orange. The ESC will produce a series of sounds. Six flat tones followed immediately by two ascending tones. The tones indicate the ESC is armed, provided the throttle stick and throttle trim are low enough to trigger arming.

#### 7. Remove the bind plug from the bind port.

**IMPORTANT:** Once bound, the receiver will retain its bind settings for that transmitter until it has been intentionally changed, even when power is cycled ON and OFF. Repeat the binding process as necessary.

#### SAFE Select OFF Indication

Every time the receiver is powered ON the surfaces will cycle back and forth **once** to indicate that SAFE Select has been switched OFF.

The throttle will not arm if the transmitter's throttle control is not put at the lowest position. If problems are encountered, follow the binding instructions and refer to the transmitter troubleshooting guide for other instructions. If needed, contact the appropriate Horizon Product Support office.

#### \*Failsafe

If the receiver loses transmitter communication, the failsafe will activate. When activated, failsafe moves the throttle channel to its preset failsafe position (low throttle) that was set during binding. All other channels move to actively level the aircraft in flight.

## SAFE® Select Switch Designation

SAFE® Select technology can be easily assigned to any open switch (2 or 3 position) on your transmitter. With this feature, you have the flexibility to enable or disable the technology while in flight.

**IMPORTANT:** Before assigning your desired switch, ensure that the travel for that channel is set at 100% in both directions and the aileron, elevator, rudder and throttle are all on high rate with the travel at 100%. Turn throttle hold OFF if it is programmed in the transmitter.

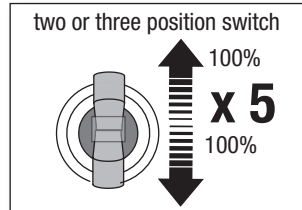
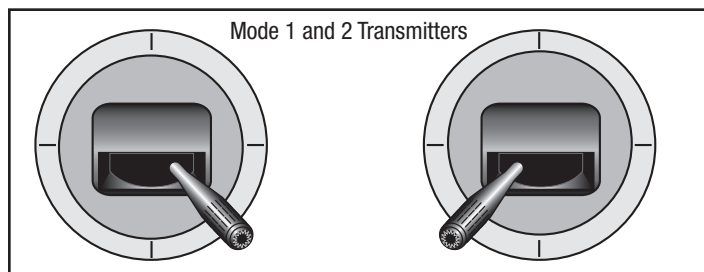
**CAUTION:** Keep all body parts well clear of the rotor, intakes and exhaust tube and keep the aircraft securely restrained in case of accidental throttle activation.

### Assigning a Switch

1. Bind the aircraft correctly to activate SAFE Select. This will allow the system to be assigned to a switch.
2. Hold both transmitter sticks to the inside bottom corners and toggle the desired switch 5 times (1 toggle = full up and down) to assign that switch. The control surfaces of the aircraft will move, indicating the switch has been selected.

Repeat the process to assign a different switch or to deactivate the current switch if desired.

**TIP:** SAFE Select is assignable on any unused Channels 5–9.



## Control Horn and Servo Arm Settings

The table to the right shows the factory settings for the control horns and servo arms. Fly the aircraft at factory settings before making changes.

**NOTICE:** If control throws are changed from the factory settings, the AR631 gain values may need to be adjusted. Refer to the Spektrum AR631 manual for adjustment of gain values.

### Linkage Installation

The elevator linkages need to be installed after the tail is glued on.

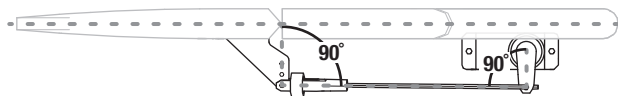
1. Insert the Z bend end of the linkage into the appropriate hole in the servo horn as shown in the table to the right
  2. Connect the ball link to the control horn as shown in the table to the right.
- Disassemble in reverse order.

Factory Setting	Horns	Arms
Elevator		
Rudder		
Aileron		

### Control Surface Centering

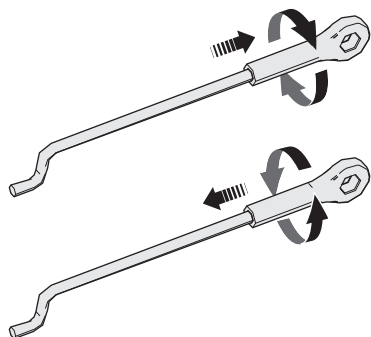
During assembly the control surfaces need to be mechanically centered when the servos are at neutral.

Assemble the model, set up the transmitter, bind the transmitter to the aircraft receiver, and set the trims and sub-trims to 0. With the model powered on, make final adjustments as needed so all the flight control surfaces are centered.



If adjustment is required, turn the ball link to thread it in or out and change the length of the linkage.

- Turn the linkage clockwise or counterclockwise to achieve the correct length so the control surface is centered.
- Attach the linkage to the control horn after adjustment.



After flying, you may choose to adjust the linkage positions for the desired control response. See the table below.

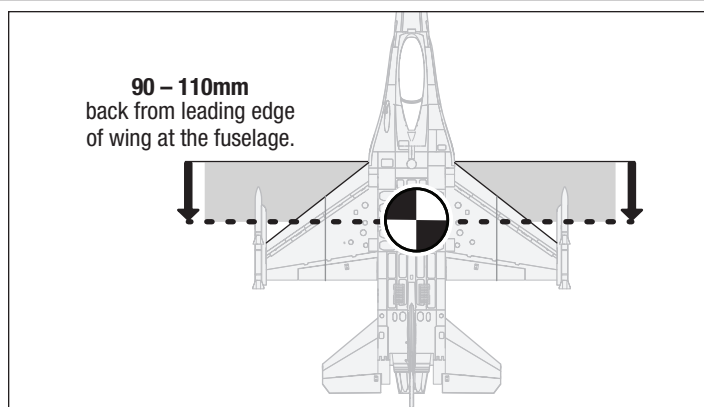
Tuning	Horns	Arms
More control throw		
Less control throw		

## Center of Gravity (CG)

This CG location has been determined with the recommended Li-Po battery (SPMX32006S50).

The CG location is given below and is measured from the leading edge of the wing at the root with the landing gear down. The CG location is adjusted by moving the battery pack forward or backward in the battery compartment.

**NOTICE:** Install the battery in the aircraft, but **do not arm the ESC** while checking the CG. Personal injury may result.



## AS3X Control Direction Test (BNF Basic)

This test ensures that the AS3X® control system is functioning properly. Assemble the aircraft and bind your transmitter to the receiver before performing this test.

1. Raise the throttle just above 25%, then lower the throttle to activate AS3X technology.
2. Move the entire aircraft as shown and ensure the control surfaces move in the direction indicated in the graphic. If the control surfaces do not respond as shown, do not fly the aircraft. Refer to the receiver manual for more information.

Once the AS3X system is active, control surfaces may move rapidly. This is normal. AS3X remains active until the battery is disconnected.

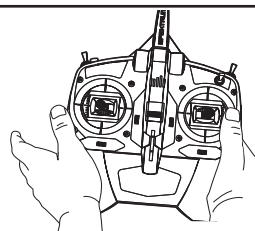
	Aircraft movement	AS3X Reaction
Elevator		
Aileron		
Rudder		

## In Flight Trimming (BNF Basic)

During your first flight, trim the aircraft for level flight at 3/4 throttle. Make small trim adjustments with your transmitter's trim switches to straighten the aircraft's flight path.

After adjusting the trim, do not touch the control sticks for 3 seconds. This allows the receiver to learn the correct settings to optimize AS3X performance.

Failure to do so could affect flight performance.



3 Seconds

## Flying Tips and Repairs

Consult local laws and ordinances before choosing a flying location.

### Range Check your Radio System

Before you fly, range check the radio system. Refer to your specific transmitter instruction manual for range test information.

### Oscillation

Once the AS3X system is active (after advancing the throttle for the first time), you will normally see the control surfaces react to aircraft movement. In some flight conditions you may see oscillation (the aircraft rocks back and forth on one axis due to overcontrol). If oscillation occurs, refer to the Troubleshooting Guide for more information.

### Takeoff

Place the aircraft facing into the wind. Set your transmitter in low rate. Gradually increase the throttle to  $\frac{3}{4}$  and steer with the rudder. As the plane reaches flying speed, pull back gently on the elevator. When airborne, climb to a comfortable altitude before retracting the landing gear.

### Flying

For your first flights with the recommended battery pack (EFLB32006S30), set your transmitter timer or a stopwatch to three minutes. After five minutes, land the aircraft. Adjust your timer for longer or shorter flights once you have flown the model. If at any time the motor power reduces, land the aircraft immediately to recharge the flight battery. See the Low Voltage Cutoff (LVC) section for more details on maximizing battery health and run time.

### Landing

Land the aircraft into the wind. Use a small amount of throttle for the entire descent. Lower the throttle to  $\frac{1}{4}$  and lower the landing gear. Lowering the landing gear will help slow the aircraft for landing.

Keep the throttle on until the aircraft is ready to flare. During flare, keep the wings level and the aircraft pointed into the wind. Gently lower the throttle while pulling back on the elevator to bring the aircraft down on its wheels.

If landing on grass, it is best to hold full up elevator after touchdown and when taxiing to prevent the nose from digging in.

Once on the ground, avoid sharp turns until the plane has slowed enough to prevent scraping the wingtips.

## PNP Receiver Selection and Installation

The Spektrum AR631 receiver is recommended for this airplane. If you choose to install another receiver, ensure that it is at least a 6-channel full range (sport) receiver. Refer to your receiver manual for correct installation and operation instructions.

### Installation (AR631 shown)

1. Remove the canopy from the fuselage.
2. Mount the receiver parallel to the length of the fuselage as shown. Use double-sided servo tape.
3. Attach the appropriate control surfaces to their respective ports on the receiver using the chart in the illustration.

**CAUTION:** Incorrect installation of the receiver could cause a crash.

**WARNING:** Always decrease throttle after a crash.

**NOTICE:** If a crash is imminent, reduce the throttle and trim fully. Failure to do so could result in extra damage to the airframe, as well as damage to the ESC and motor.

**NOTICE:** After any impact, always ensure the receiver is secure in the fuselage. If you replace the receiver, install the new receiver in the same orientation as the original receiver or damage may result.

**NOTICE:** Crash damage is not covered under warranty.

**NOTICE:** When you are finished flying, never leave the aircraft in direct sunlight or in a hot, enclosed area such as a car. Doing so can damage the aircraft.

### Low Voltage Cutoff (LVC)

When a Li-Po battery is discharged below 3V per cell, it will not hold a charge. The ESC protects the flight battery from over-discharge using Low Voltage Cutoff (LVC). Before the battery charge decreases too much, LVC removes power supplied to the motor. Power to the motor reduces, showing that some battery power is reserved for flight control and safe landing.

Disconnect and remove the Li-Po battery from the aircraft after use to prevent trickle discharge. Charge your Li-Po battery to about half capacity before storage. During storage, make sure the battery charge does not fall below 3V per cell. LVC does not prevent the battery from over-discharge during storage.

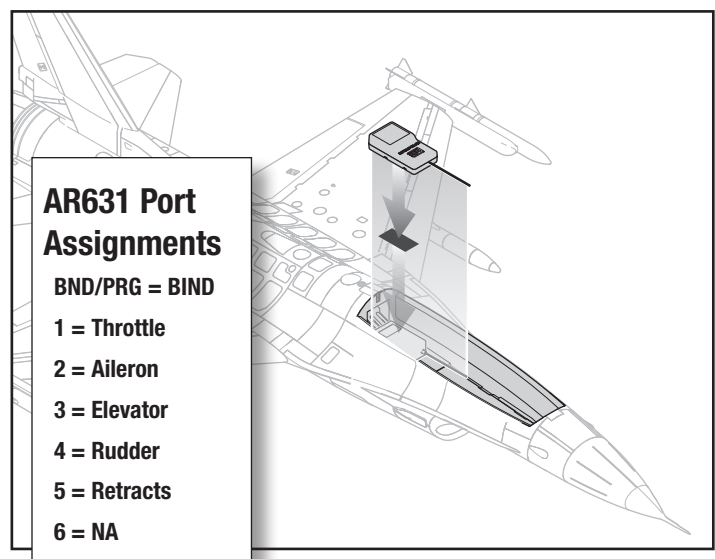
**NOTICE:** Repeated flying to LVC will damage the battery.

**Tip:** Monitor your aircraft battery's voltage before and after flying by using a Li-Po Cell Voltage Checker (SPMXBC100, sold separately).

### Repairs

Thanks to the EPO foam material in this aircraft, repairs to the foam can be made using virtually any adhesive (hot glue, regular CA, epoxy, etc). When parts are not repairable, see the Replacement Parts List for ordering by item number. For a listing of all replacement and optional parts, refer to the list at the end of this manual.

**NOTICE:** Use of CA accelerant on your aircraft can damage paint. DO NOT handle the aircraft until accelerant fully dries.



## Post Flight

1. Disconnect the flight battery from the ESC (Required for Safety and battery life).
2. Power OFF the transmitter.
3. Remove the flight battery from the aircraft.
4. Recharge the flight battery.

5. Repair or replace all damaged parts.
6. Store the flight battery apart from the aircraft and monitor the battery charge.
7. Make note of the flight conditions and flight plan results, planning for future flights.

## Motor Service

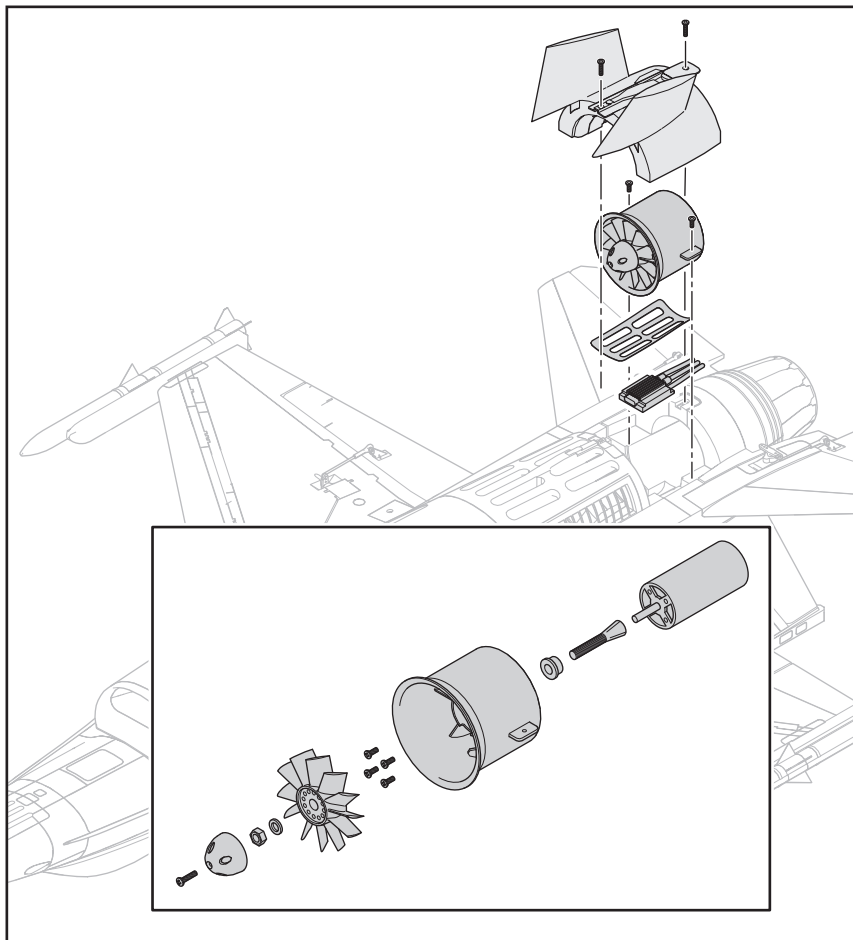
**CAUTION:** Always disconnect the flight battery before performing motor service.

### Disassembly

1. Remove the two 3mm x 10mm counter-sunk machine screws holding the fan cover in place. Remove the fan cover
2. Remove the two 3mm x 12mm counter-sunk self tapping screws holding the ducted fan housing in place.
3. Remove the 3mm x 20mm phillips head machine screw holding the spinner on the motor shaft. Remove the spinner.
4. Gently grasp the impeller and use a wrench to remove the hex head nut holding the impeller (fan) on the motor shaft. Remove the fan.
5. Remove the fan adaptor from the motor shaft.
6. Remove the four 3mm x 6mm Phillips head machine screws and the motor from the fan housing.
7. Disconnect the motor wires from the ESC wires.

### Assembly

- Assemble in reverse order.
- Correctly align and connect the motor wire colors with the ESC wires.
- Ensure the front of the rotor is installed facing the nose of the aircraft.
- A tool is required to tighten the nut on the rotor and collet.
- Ensure no wiring is pinched by any of the power components.
- Ensure the ESC cover is securely glued to the fuselage.
- Ensure the spinner is fully connected for safe operation.



## Troubleshooting Guide AS3X

Problem	Possible Cause	Solution
Oscillation	Damaged impeller, fan adaptor or fan housing.	Replace damaged parts
	Imbalanced impeller	Balance the propeller
	Motor vibration	Replace parts or correctly align all parts and tighten fasteners as needed
	Loose receiver	Align and secure receiver in fuselage
	Loose aircraft controls	Tighten or otherwise secure parts (servo, arm, linkage, horn and control surface)
	Worn parts	Replace worn parts (especially propeller, spinner or servo)
	Irregular servo movement	Replace servo
Inconsistent flight performance	Trim is not at neutral	If you adjust trim more than 8 clicks, adjust the clevis to remove trim
	Sub-Trim is not at neutral	No Sub-Trim is allowed. Adjust the servo linkage
	Aircraft was not kept immobile for 5 seconds after battery connection	With the throttle stick in lowest position. Disconnect battery, then reconnect battery and keep the aircraft still for 5 seconds
Incorrect response to the AS3X Control Direction Test	Incorrect direction settings in the receiver, which can cause a crash	DO NOT fly. Correct the direction settings (refer to the receiver manual), then fly

## Troubleshooting Guide

Problem	Possible Cause	Solution
Aircraft will not respond to throttle but responds to other controls	Throttle not at idle and/or throttle trim too high	Reset controls with throttle stick and throttle trim at lowest setting
	Throttle servo travel is lower than 100%	Make sure throttle servo travel is 100% or greater
	Throttle channel is reversed	Reverse throttle channel on transmitter
	Motor disconnected from ESC	Make sure motor is connected to the ESC
Extra propeller noise or extra vibration	Damaged impeller and spinner, collet or motor	Replace damaged parts
	Impeller is out of balance	Balance or replace impeller
	Fan nut is too loose	Tighten the prop nut
Reduced flight time or aircraft underpowered	Flight battery charge is low	Completely recharge flight battery
	Flight battery damaged	Replace flight battery and follow flight battery instructions
	Flight conditions may be too cold	Make sure battery is warm before use
	Battery capacity too low for flight conditions	Replace battery or use a larger capacity battery
Aircraft will not Bind (during binding) to transmitter	Transmitter too near aircraft during binding process	Move powered transmitter a few feet from aircraft, disconnect and reconnect flight battery to aircraft
	Aircraft or transmitter is too close to large metal object, wireless source or another transmitter	Move aircraft and transmitter to another location and attempt binding again
	The bind plug is not installed correctly in the bind port	Install bind plug in bind port and bind the aircraft to the transmitter
	Flight battery/transmitter battery charge is too low	Replace/recharge batteries
	Bind switch or button not held long enough during bind process	Power off transmitter and repeat bind process. Hold transmitter bind button or switch until receiver is bound
Aircraft will not connect (after binding) to transmitter	Transmitter too near aircraft during connecting process	Move powered transmitter a few feet from aircraft, disconnect and reconnect flight battery to aircraft
	Aircraft or transmitter is too close to large metal object, wireless source or another transmitter	Move aircraft and transmitter to another location and attempt connecting again
	Bind plug left installed in bind port	Rebind transmitter to the aircraft and remove the bind plug before cycling power
	Aircraft bound to different model memory (ModelMatch™ radios only)	Select correct model memory on transmitter
	Flight battery/Transmitter battery charge is too low	Replace/recharge batteries
	Transmitter may have been bound to a different aircraft using different DSM protocol	Bind aircraft to transmitter
Control surface does not move	Control surface, control horn, linkage or servo damage	Replace or repair damaged parts and adjust controls
	Wire damaged or connections loose	Do a check of wires and connections, connect or replace as needed
	Transmitter is not bound correctly or the incorrect airplanes was selected	Re-bind or select correct airplanes in transmitter
	Flight battery charge is low	Fully recharge flight battery
	BEC (Battery Elimination Circuit) of the ESC is damaged	Replace ESC
Controls reversed	Transmitter settings are reversed	Perform the Control Direction Test and adjust the controls on transmitter appropriately
Motor power pulses then motor loses power	ESC uses default soft Low Voltage Cutoff (LVC)	Recharge flight battery or replace battery that is no longer performing
	Weather conditions might be too cold	Postpone flight until weather is warmer
	Battery is old, worn out, or damaged	Replace battery
	Battery C rating might be too small	Use recommended battery

## AMA National Model Aircraft Safety Code

---

Effective January 1, 2018

A model aircraft is a non-human-carrying device capable of sustained flight within visual line of sight of the pilot or spotter(s). It may not exceed limitations of this code and is intended exclusively for sport, recreation, education and/or competition. All model flights must be conducted in accordance with this safety code and related AMA guidelines, any additional rules specific to the flying site, as well as all applicable laws and regulations. As an AMA member I agree:

- I will not fly a model aircraft in a careless or reckless manner.
- I will not interfere with and will yield the right of way to all human-carrying aircraft using AMA's See and Avoid Guidance and a spotter when appropriate.
- I will not operate any model aircraft while I am under the influence of alcohol or any drug that could adversely affect my ability to safely control the model.
- I will avoid flying directly over unprotected people, moving vehicles, and occupied structures.
- I will fly Free Flight (FF) and Control Line (CL) models in compliance with AMA's safety programming.
- I will maintain visual contact of an RC model aircraft without enhancement other than corrective lenses prescribed to me. When using an advanced flight system, such as an autopilot, or flying First-Person View (FPV), I will comply with AMA's Advanced Flight System programming.
- I will only fly models weighing more than 55 pounds, including fuel, if certified through AMA's Large Model Airplane Program.
- I will only fly a turbine-powered model aircraft in compliance with AMA's Gas Turbine Program.
- I will not fly a powered model outdoors closer than 25 feet to any individual, except for myself or my helper(s) located at the flightline, unless I am taking off and landing, or as otherwise provided in AMA's Competition Regulation.
- I will use an established safety line to separate all model aircraft operations from spectators and bystanders.

For a complete copy of AMA's Safety Handbook please visit:

[www.modelaircraft.org/files/100.pdf](http://www.modelaircraft.org/files/100.pdf)

## Limited Warranty

### What this Warranty Covers

Horizon Hobby, LLC, (Horizon) warrants to the original purchaser that the product purchased (the "Product") will be free from defects in materials and workmanship at the date of purchase.

### What is Not Covered

This warranty is not transferable and does not cover (i) cosmetic damage, (ii) damage due to acts of God, accident, misuse, abuse, negligence, commercial use, or due to improper use, installation, operation or maintenance, (iii) modification of or to any part of the Product, (iv) attempted service by anyone other than a Horizon Hobby authorized service center, (v) Product not purchased from an authorized Horizon dealer, or (vi) Product not compliant with applicable technical regulations, or (vii) use that violates any applicable laws, rules, or regulations.

OTHER THAN THE EXPRESS WARRANTY ABOVE, HORIZON MAKES NO OTHER WARRANTY OR REPRESENTATION, AND HEREBY DISCLAIMS ANY AND ALL IMPLIED WARRANTIES, INCLUDING, WITHOUT LIMITATION, THE IMPLIED WARRANTIES OF NON-INFRINGEMENT, MERCHANTABILITY AND FITNESS FOR A PARTICULAR PURPOSE. THE PURCHASER ACKNOWLEDGES THAT THEY ALONE HAVE DETERMINED THAT THE PRODUCT WILL SUITABLY MEET THE REQUIREMENTS OF THE PURCHASER'S INTENDED USE.

### Purchaser's Remedy

Horizon's sole obligation and purchaser's sole and exclusive remedy shall be that Horizon will, at its option, either (i) service, or (ii) replace, any Product determined by Horizon to be defective. Horizon reserves the right to inspect any and all Product(s) involved in a warranty claim. Service or replacement decisions are at the sole discretion of Horizon. Proof of purchase is required for all warranty claims. SERVICE OR REPLACEMENT AS PROVIDED UNDER THIS WARRANTY IS THE PURCHASER'S SOLE AND EXCLUSIVE REMEDY.

### Limitation of Liability

HORIZON SHALL NOT BE LIABLE FOR SPECIAL, INDIRECT, INCIDENTAL OR CONSEQUENTIAL DAMAGES, LOSS OF PROFITS OR PRODUCTION OR COMMERCIAL LOSS IN ANY WAY, REGARDLESS OF WHETHER SUCH CLAIM IS BASED IN CONTRACT, WARRANTY, TORT, NEGLIGENCE, STRICT LIABILITY OR ANY OTHER THEORY OF LIABILITY, EVEN IF HORIZON HAS BEEN ADVISED OF THE POSSIBILITY OF SUCH DAMAGES. Further, in no event shall the liability of Horizon exceed the individual price of the Product on which liability is asserted. As Horizon has no control over use, setup, final assembly, modification or misuse, no liability shall be assumed nor accepted for any resulting damage or injury. By the act of use, setup or assembly, the user accepts all resulting liability. If you as the purchaser or user are not prepared to accept the liability associated with the use of the Product, purchaser is advised to return the Product immediately in new and unused condition to the place of purchase.

### Law

These terms are governed by Illinois law (without regard to conflict of law principals). This warranty gives you specific legal rights, and you may also have other rights which vary from state to state. Horizon reserves the right to change or modify this warranty at any time without notice.

### WARRANTY SERVICES

#### Questions, Assistance, and Services

Your local hobby store and/or place of purchase cannot provide warranty support or service. Once assembly, setup or use of the Product has been started, you must contact your local distributor or Horizon directly. This will enable Horizon to better answer your questions and service you in the event

that you may need any assistance. For questions or assistance, please visit our website at [www.horizonhobby.com](http://www.horizonhobby.com), submit a Product Support Inquiry, or call the toll free telephone number referenced in the Warranty and Service Contact Information section to speak with a Product Support representative.

### Inspection or Services

If this Product needs to be inspected or serviced and is compliant in the country you live and use the Product in, please use the Horizon Online Service Request submission process found on our website or call Horizon to obtain a Return Merchandise Authorization (RMA) number. Pack the Product securely using a shipping carton. Please note that original boxes may be included, but are not designed to withstand the rigors of shipping without additional protection. Ship via a carrier that provides tracking and insurance for lost or damaged parcels, as Horizon is not responsible for merchandise until it arrives and is accepted at our facility. An Online Service Request is available at [http://www.horizonhobby.com/content/service-center\\_render-service-center](http://www.horizonhobby.com/content/service-center_render-service-center). If you do not have internet access, please contact Horizon Product Support to obtain a RMA number along with instructions for submitting your product for service. When calling Horizon, you will be asked to provide your complete name, street address, email address and phone number where you can be reached during business hours. When sending product into Horizon, please include your RMA number, a list of the included items, and a brief summary of the problem. A copy of your original sales receipt must be included for warranty consideration. Be sure your name, address, and RMA number are clearly written on the outside of the shipping carton.

**NOTICE: Do not ship LiPo batteries to Horizon. If you have any issue with a LiPo battery, please contact the appropriate Horizon Product Support office.**

### Warranty Requirements

**For Warranty consideration, you must include your original sales receipt verifying the proof-of-purchase date.** Provided warranty conditions have been met, your Product will be serviced or replaced free of charge. Service or replacement decisions are at the sole discretion of Horizon.

### Non-Warranty Service

**Should your service not be covered by warranty, service will be completed and payment will be required without notification or estimate of the expense unless the expense exceeds 50% of the retail purchase cost.** By submitting the item for service you are agreeing to payment of the service without notification. Service estimates are available upon request. You must include this request with your item submitted for service. Non-warranty service estimates will be billed a minimum of ½ hour of labor. In addition you will be billed for return freight. Horizon accepts money orders and cashier's checks, as well as Visa, MasterCard, American Express, and Discover cards. By submitting any item to Horizon for service, you are agreeing to Horizon's Terms and Conditions found on our website [http://www.horizonhobby.com/content/service-center\\_render-service-center](http://www.horizonhobby.com/content/service-center_render-service-center).

**ATTENTION: Horizon service is limited to Product compliant in the country of use and ownership. If received, a non-compliant Product will not be serviced. Further, the sender will be responsible for arranging return shipment of the un-serviced Product, through a carrier of the sender's choice and at the sender's expense. Horizon will hold non-compliant Product for a period of 60 days from notification, after which it will be discarded.**

10/15

## Contact Information

Country of Purchase	Horizon Hobby	Contact Information	Address
United States of America	Horizon Service Center (Repairs and Repair Requests)	<a href="http://servicecenter.horizonhobby.com/RequestForm/">servicecenter.horizonhobby.com/RequestForm/</a>	2904 Research Road Champaign, Illinois, 61822 USA
	Horizon Product Support (Product Technical Assistance)	<a href="mailto:productsupport@horizonhobby.com">productsupport@horizonhobby.com</a> 877-504-0233	
	Sales	<a href="mailto:websales@horizonhobby.com">websales@horizonhobby.com</a> 800-338-4639	
European Union	Horizon Technischer Service	<a href="mailto:service@horizonhobby.eu">service@horizonhobby.eu</a>	Hanskampring 9 D 22885 Barsbüttel, Germany
	Sales: Horizon Hobby GmbH	+49 (0) 4121 2655 100	




## FCC Information

FCC ID: BRWSPMSR6200A

### Supplier's Declaration of Conformity

#### F-16 Thunderbirds 70mm EDF BNF Basic (EFL78500)

 This device complies with part 15 of the FCC Rules. Operation is subject to the following two conditions: (1) This device may not cause harmful interference, and (2) this device must accept any interference received, including interference that may cause undesired operation.



**CAUTION:** Changes or modifications not expressly approved by the party responsible for compliance could void the user's authority to operate the equipment.

**NOTE:** This equipment has been tested and found to comply with the limits for a Class B digital device, pursuant to part 15 of the FCC Rules. These limits are designed to provide reasonable protection against harmful interference in a residential installation. This equipment generates, uses and can radiate radio frequency energy and, if not installed and used in accordance with the instructions, may cause harmful interference to radio communications. However, there is no guarantee that interference will not occur in a particular

installation. If this equipment does cause harmful interference to radio or television reception, which can be determined by turning the equipment off and on, the user is encouraged to try to correct the interference by one or more of the following measures:

- Reorient or relocate the receiving antenna.
- Increase the separation between the equipment and receiver.
- Connect the equipment into an outlet on a circuit different from that to which the receiver is connected.
- Consult the dealer or an experienced radio/TV technician for help.

Horizon Hobby, LLC  
2904 Research Rd.,  
Champaign, IL 61822  
Email: [compliance@horizonhobby.com](mailto:compliance@horizonhobby.com)  
Web: [HorizonHobby.com](http://HorizonHobby.com)

## IC Information

CAN ICES-3 (B)/NMB-3(B)

IC: 6157A-SPMSR6200A

This device contains license-exempt transmitter(s)/receivers(s) that comply with Innovation, Science, and Economic Development Canada's license-exempt RSS(s). Operation is subject to the following 2 conditions:

1. This device may not cause interference.
2. This device must accept any interference, including interference that may cause undesired operation of the device.

## Compliance Information for the European Union



#### EU Compliance Statement:

**F-16 Thunderbirds 70mm EDF BNF Basic (EFL78500);** Hereby, Horizon Hobby, LLC declares that the device is in compliance with the following: EU Radio Equipment Directive 2014/53/EU.

**F-16 Thunderbirds 70mm EDF (EFL7875);** Hereby, Horizon Hobby, LLC declares that the device is in compliance with the following: EU EMC Directive 2014/30/EU.

The full text of the EU declaration of conformity is available at the following internet address: <https://www.horizonhobby.com/content/support-render-compliance>.

#### Wireless Frequency Range and Wireless Output Power:

2404 – 2476 MHz  
3dBm

#### EU Manufacturer of Record:

Horizon Hobby, LLC  
2904 Research Road  
Champaign, IL 61822 USA

#### EU Importer of Record:

Horizon Hobby, GmbH  
Hanskampring 9  
22885 Barsbüttel Germany

#### WEEE NOTICE:



This appliance is labeled in accordance with European Directive 2012/19/EU concerning waste of electrical and electronic equipment (WEEE). This label indicates that this product should not be disposed of with household waste. It should be deposited at an appropriate facility to enable recovery and recycling.

## Recommended Receivers • Empfohlene Empfänger Récepteurs Recommandés • Ricevitori Raccomandati

PNP Only • Nur PNP • PNP Uniquement • Solo PNP

Part #   Nummer Numéro   Codice	Description	Beschreibung	Description	Descrizione
	<b>Telemetry Equipped Receivers</b>	<b>Empfänger mit Telemetrie</b>	<b>Récepteurs avec télémétrie</b>	<b>Riceventi con telemetria</b>
SPMAR620	AR620 6-Channel Air Integrated Telemetry Receiver	AR620-6-Kanal-Flugzeugempfänger mit integrierter Telemetrie	Récepteur aérien avec télémétrie intégrée 6 canaux AR620	Ricevente aereo AR620 6 canali con telemetria integrata
SPMAR6610T	AR6610T 6-Channel Carbon Fuse Integrated Telemetry Receiver	AR6610T-6-Kanal-Karbon-Sicherungempfänger mit integrierter Telemetrie	Récepteur à fusibles en carbone avec télémétrie intégrée 6 canaux AR6610T	Ricevente AR6610T 6 canali con telemetria integrata per fusoliera in carbonio
	<b>AS3X Equipped Receivers</b>	<b>AS3X-Empfänger</b>	<b>Récepteurs avec AS3X</b>	<b>Riceventi con AS3X</b>
SPMAR631	AR631 6-Channel AS3X Sport Receiver	AR631-6-Kanal-AS3X-Sportempfänger	Récepteur AS3X sport 6 canaux AR631	AR631 ricevitore sportivo a 6 canali AS3X
SPMAR637T	AR637T 6-Channel AS3X Sport Receiver	AR637T-6-Kanal-AS3X-Sportempfänger	Récepteur AS3X sport 6 canaux AR637T	AR637T ricevitore sportivo a 6 canali AS3X

## Replacement Parts • Ersatzteile • Pièces de rechange • Pezzi di ricambio

Part #   Nummer Numéro   Codice	Description	Beschreibung	Description	Descrizione
EFL7801	Fuselage: F-16 70mm	Rumpf	Fuselage	Fusoliera
EFL7802	Main Wing Set: F-16 70mm	Haupttragflächensatz	Ensemble d'ailes principales	Ala principale impostata
EFL7803	Vertical Stabilizer: F-16 70mm	Seitenleitwerk	Stabilisateur vertical	Stabilizzatore verticale
EFL7804	Horizontal Stabilizers: F-16 70mm	Höhenleitwerk	Stabilisateur horizontal	Stabilizzatore orizzontale
EFL7805	Missiles - wingtip: F-16 70mm	Missiles -Flügelspitze: F-16 70mm	Missiles -bout d'aile: F-16 70mm	Missiles -estremità alare: F-16 70mm
EFL7806	Missiles - underwing: F-16 70mm	Missiles - Unterflügel: F-16 70mm	Missiles - sous aile: F-16 70mm	Missiles - underwing: F-16 70mm
EFL7807	Cockpit: F-16 70mm	Cockpit	Cockpit	Cabina di pilotaggio
EFL7808	Nose Cone: F-16 70mm	Motorhaube: F-16 70 mm	Capot : F-16 70 mm	Cappottatura: F-16 70 mm
EFL7809	Ventral Fins: F-16 70mm	Stabilisierungsflosse: F-16 70 mm	Dérive ventrale : F-16 70 mm	Aletta ventrale: F-16 70 mm
EFL7811	Front Landing Gear: F-16 70mm	Vorderer Fahrwerksatz	Ensemble de train d'atterrissage avant	Set carrello d'atterraggio anteriore
EFL7812	Main Landing Gear Set: F-16 70mm	Hauptfahrwerksatz	Ensemble du principal train d'atterrissage	Set carrello di atterraggio principale
EFL7814	Front Landing Gear System w/retract: F-16 70mm	Vorderes Fahrwerkssystem	Cache du train d'atterrissage	Sistema carrello d'atterraggio anteriore
EFL7815	Main Landing Gear System w/retracts: F-16 70mm	Hauptfahrwerkssystem	Cache du train d'atterrissage	Sistema carrello di atterraggio principale
EFL7816	Landing Gear Cover: F-16 70mm	Fahrwerkabdeckung	Système du train d'atterrissage avant	Carter carrello d'atterraggio
EFL7817	Linkage Rod: F-16 70mm	Gestänge	Système du principal train d'atterrissage	Asta di collegamento
EFL7818	Wingtube: F-16 70mm	Gestänge: F-16 70 mm	Tubulure : F-16 70 mm	Tubo: F-16 70 mm
EFL7819	Screw Set: F-16 70mm	Schraubensatz	Jeu de roues	Set viti
EFL7820	Wheel Set: F-16 70mm	Reifensatz	Renvois de commande	Set ruote
EFL7821	Decal Sheet: F-16 70mm	Decalsatz	Jeu de vis	Set decalcomanie
EFLG325	Nose Gear Retract Mechanism	Bugfahrwerk-Einfahrmechanismus	Mécanisme de rentrée du train avant	Meccanismo di retrazione del carrello anteriore
EFLG326	Main Gear Retract Mechanism	Hauptfahrwerk-Einfahrmechanismus	Mécanisme de rentrée du train principal	Meccanismo di retrazione del carrello principale
EFLA1070400EC5	70A ESC, EC5	70 A Geschwindigkeitsregler, EC5	70 A ESC	70A ESC
EFLM1850	Motor 2860 KV1850 Yak 130	Motor 2860 KV1850 Yak 130	ESC 70 A	Motore 2860 KV1850 Yak 130
EFLA7012DF	Ducted Fan Unit: 70mm 12-blade EDF	70mm 12 mantelpropeller	Soufflante 70 mm à 12 pales	Ducted Fan Unit: 70mm 12-blade EDF
SPMA380	Servo: 9g digital metal gear, positive	Servo: 9 g digitales Metallgetriebe	Servo : numérique à engrenages métalliques 9 g	Meccanismo di retrazione del carrello anteriore
SPMA380R	Servo: 9g digital metal gear, reverse	Servo: 9 g digitales Metallgetriebe, rückgängig gemacht	Servo : numérique à engrenages métalliques 9 g, renversé	Meccanismo di retrazione del carrello anteriore, invertito
SPMAR631	Spektrum AR631 6-Channel Sport Receiver	Spektrum AR631-Sportempfänger mit 6 Kanälen	Récepteur sport Spektrum 6 canaux AR631	Ricevitore sport Spektrum AR631 6 canali

## Optional Parts • Optionale Bauteile • Pièces optionnelles • Pezzi opzionali

Part #   Nummer Numéro   Codice	Description	Beschreibung	Description	Descrizione
EFL5261	Float Set: Timber	Timber: Schwimmerset	Timber - Flotteurs	Set galleggianti: Timber
EFLA250	Park Flyer Tool Assortment, 5 pc	Park Flyer Werkzeugsortiment, 5 teilig	Assortiment d'outils park flyer, 5pc	Park Flyer assortimento attrezzi, 5 pc
SPMX22003S30	11.1V 3S 30C 2200mAh Li-Po	11.1V 3S 30C 2200mAh LiPo	Li-Po 3S 11,1V 2200mA 30C	11.1V 3S 30C 2200MAH Li-Po
SPMX22004S30	14.4V 4S 30C 2200mAh Li-Po	14.4V 4S 30C 2200mAh LiPo	Li-Po 4S 14,4V 2200mA 30C	14.4V 4S 30C 2200MAH Li-Po
SPMXC1000	Smart S1200 DC Charger, 1x200W	Smart S1200 DC Charger, 1x200W	Smart S1200 DC Charger, 1x200W	Smart S1200 DC Charger, 1x200W
SPMXC1010	Smart S2100 AC Charger, 2x100W	Smart S2100 AC Charger, 2x100W	Smart S2100 AC Charger, 2x100W	Smart S2100 AC Charger, 2x100W
SPMXBC100	Li-Po Cell Voltage Checker	Li-Po Cell Voltage Checker	Testeur de tension d'éléments Li-Po	Voltmetro verifica batterie LiPo
SPMXCA507	Spektrum IC3 Battery to IC5 Device	Spektrum IC3 Battery to IC5 Device	Spektrum IC3 Battery to IC5 Device	Spektrum IC3 Battery to IC5 Device
DYN1405	Li-Po Charge Protection Bag, Large	Dynamite LiPoCharge Protection Bag groß	Sac de charge Li-Po, grand modèle	Sacchetto grande di protezione per carica LiPo
DYN1400	Li-Po Charge Protection Bag, Small	Dynamite LiPoCharge Protection Bag klein	Sac de charge Li-Po, petit modèle	Sacchetto piccolo di protezione per carica LiPo
SPM6775	NX6 6-Channel Transmitter w/ AR6610T Receiver	Spektrum NX6 DSMX 6-Kanal Sender	Emetteur NX6 DSMX 6 voies	NX6 DSMX Trasmettitore 6 canali
SPMR6775	NX6 6-Channel Transmitter Only	Spektrum NX6 DSMX 6-Kanal Sender	Emetteur NX6 DSMX 6 voies	NX6 DSMX Trasmettitore 6 canali
SPMR10100	NX10 10-Channel Transmitter Only	Spektrum NX10 DSMX 10-Kanal Sender	Emetteur NX10 DSMX 10 voies	NX10 DSMX Trasmettitore 10 canali



© 2020 Horizon Hobby, LLC.

E-flite, DSM, DSM2, DSMX, Bind-N-Fly, BNF, the BNF logo, Plug-N-Play, AS3X, SAFE, the SAFE logo, ModelMatch, Passport, Prophet, IC5, Dynamite, and the Horizon Hobby logo are trademarks or registered trademarks of Horizon Hobby, LLC.

The Spektrum trademark is used with permission of Bachmann Industries, Inc.

LOCKHEED MARTIN, F-16 Fighting Falcon, associated emblems and logos, and body designs of vehicles are either trademarks or registered trademarks of Lockheed Martin Corporation in the USA and/or other jurisdictions, used with permission.

All other trademarks, service marks and logos are property of their respective owners.

US 8,672,726. US 9,930,567. US 10,419,970. US 9,056,667. US 9,753,457. US 10,078,329. Other patents pending.

<https://www.horizonhobby.com/content/e-flite-rc>