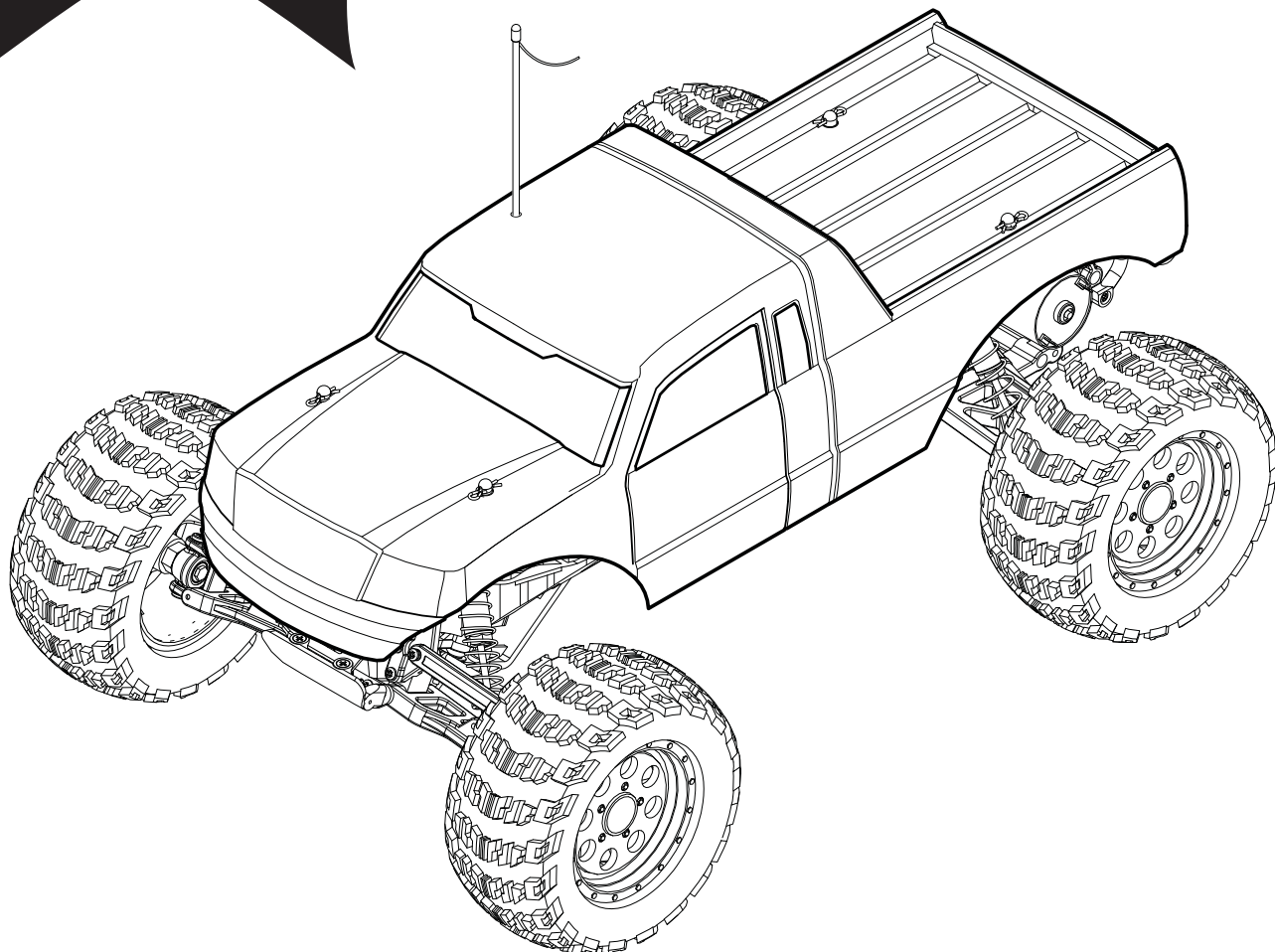


# electrixrc™



## **RUCKUS™**

### **1/10 ELECTRIC MONSTER TRUCK**

**ECX2000 | ECX2000AU | ECX2000EU | ECX2000UK  
ECX2100 | ECX2100AU | ECX2100EU | ECX2100UK**

**INSTRUCTION MANUAL  
BEDIENUNGSANLEITUNG  
MANUEL D'UTILISATION  
MANUALE**

Congratulations on your purchase of the Electrix RC™ Ruckus™ Monster Truck.

This 1/10 scale model introduces you to the sport of RC driving.

Herzlichen Glückwunsch zum Kauf des Electrix RC™ Ruckus™ Monster Truck. Dieses 1/10 Scale Model öffnet Ihnen die Welt des RC Car Sports.

Nous vous félicitons pour l'achat du Electrix RC™ Ruckus™ Monster Truck. Ce modèle 1/10 vous introduit au sport de la conduite RC.

Congratulazioni per l'acquisto di questo RC Ruckus Monster Truck Electrix. Questa vettura in scala 1/10 vi introdurrà nel mondo dei modelli RC.

## NOTICE

All instructions, warranties and other collateral documents are subject to change at the sole discretion of Horizon Hobby, Inc. For up-to-date product literature, visit <http://www.horizonhobby.com> and click on the support tab for this product.

### Meaning of Special Language:

The following terms are used throughout the product literature to indicate various levels of potential harm when operating this product:

**NOTICE:** Procedures, which if not properly followed, create a possibility of physical property damage AND little or no possibility of injury.

**CAUTION:** Procedures, which if not properly followed, create the probability of physical property damage AND a possibility of serious injury.

**WARNING:** Procedures, which if not properly followed, create the probability of property damage, collateral damage, and serious injury OR create a high probability of superficial injury.



**WARNING:** Read the ENTIRE instruction manual to become familiar with the features of the product before operating. Failure to operate the product correctly can result in damage to the product, personal property and cause serious injury.

This is a sophisticated hobby product and NOT a toy. It must be operated with caution and common sense and requires some basic mechanical ability. Failure to operate this Product in a safe and responsible manner could result in injury or damage to the product or other property. Do not attempt disassembly, use with incompatible components or augment product in any way without the approval of Horizon Hobby, Inc. This manual contains instructions for safety, operation and maintenance. It is essential to read and follow all the instructions and warnings in the manual, prior to assembly, setup or use, in order to operate correctly and avoid damage or serious injury.



### Safety Precautions and Warnings

As the user of this product, you are solely responsible for operating in a manner that does not endanger yourself and others or result in damage to the product or the property of others.

This model is controlled by a radio signal subject to interference from many sources outside your control. This interference can cause momentary loss of control so it is advisable to always keep a safe distance in all directions around your model, as this margin will help avoid collisions or injury.

**Age Recommendation: Not for children under 14 years. This is not a toy.**

- Never operate your model with low transmitter batteries.
- Always operate your model in an open area away from cars, traffic or people.
- Never operate the model in the street or in populated areas for any reason.
- Carefully follow the directions and warnings for this and any optional support equipment (chargers, rechargeable battery packs, etc.) you use.
- Keep all chemicals, small parts and anything electrical out of the reach of children.
- Moisture causes damage to electronics. Avoid water exposure to all equipment not specifically designed and protected for this purpose.

- Never lick or place any portion of your model in your mouth as it could cause serious injury or even death.
- First-time builders should seek advice from people with building experience to operate the model correctly and meet its performance potential.
- Exercise caution when using tools and sharp instruments.
- Take care when building, as some parts may have sharp edges.
- Immediately after using your model, do NOT touch equipment on the model such as the motor, electronic speed control and battery, because they generate high temperatures. You may burn yourself seriously touching them.
- Do not put fingers or any objects inside rotating and moving parts, as this may cause damage or serious injury.
- Be sure that your operating frequency is clear before turning on or running your model, and never share the same frequency with somebody else at the same time.
- Ensure that others are aware of the operating frequency you are using and when you are using it.
- Always turn on your transmitter before you turn on the receiver in the car. Always turn off the receiver before turning your transmitter off.
- Keep the wheels of the model off the ground when checking the operation of the radio equipment.

## TABLE OF CONTENTS

Safety Precautions and Warnings .....	2	Finishing .....	7
Specifications .....	3	Setting the Gear Mesh.....	8
Components .....	3	Electronic Speed Control (ESC).....	8
<b>Vehicle Preparations</b>		Electrical Layout.....	8
Installing Antenna Tube and Body .....	3	Wheel Assembly .....	8
Installing Transmitter Battery .....	4	Maintenance .....	9
Installing Transmitter Antenna .....	4	Shock Cleaning.....	9
Charging the Battery .....	4	Fasteners.....	9
Installing Vehicle Battery .....	5	Troubleshooting Guide .....	10
<b>Operation</b>		Warranty Information.....	10
Transmitter controls .....	6	Contact Information .....	11
Getting Started.....	7	FCC and Compliance Information for the European Union.....	11

## SPECIFICATIONS

### Transmitter

Frequency	27MHz
Modulation	Pulse Proportional Modulation (PPM)
Battery	AA x 8
Current Consumption	200mAh
Size	17 x 23.5 x 7.5mm
Weight	382 g

### Servo

Power Supply	4.8V~6V (shared with receiver)
Output Torque	41.66 oz (3 kg-cm)
Operating Speed	0.23sec/60 degrees of travel
Size	40.5 x 20 x 36.8mm

### Receiver

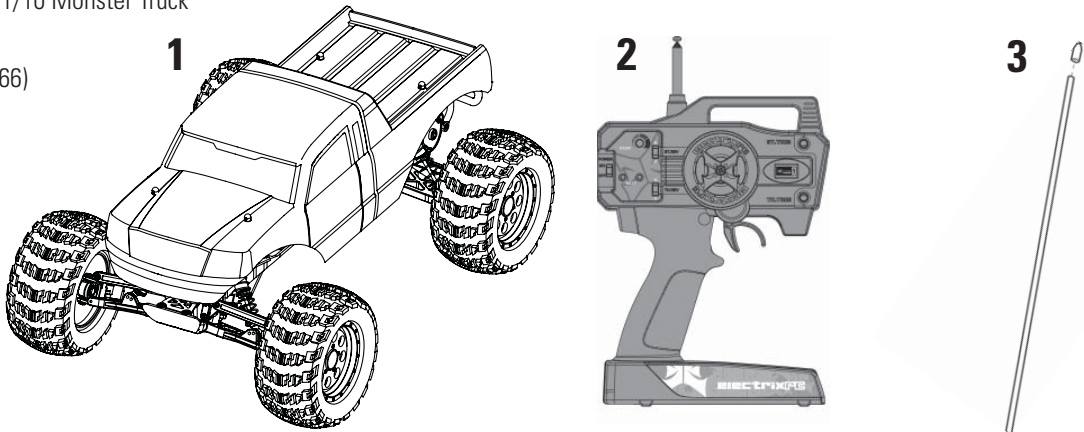
Frequency	27MHz
Intermediate Frequency	445kHz
Current Consumption	18mAh
Weight	15 g

### Electronic Speed Control (ESC)

Input Voltage	7.2~8.4V
Electric Capacity (FET)	Forward 80 A/240 A
Electric Capacity (FET)	Reverse 60 A/160 A
PWM Frequency	1kHz
BEC Voltage	5 V/1 A
Size	27 x 35 x 17.3mm
Weight	34 g - 36 g

## COMPONENTS

1. Electrix RC™ Ruckus™ 1/10 Monster Truck
2. Transmitter
3. Antenna Tube (ECX1066)

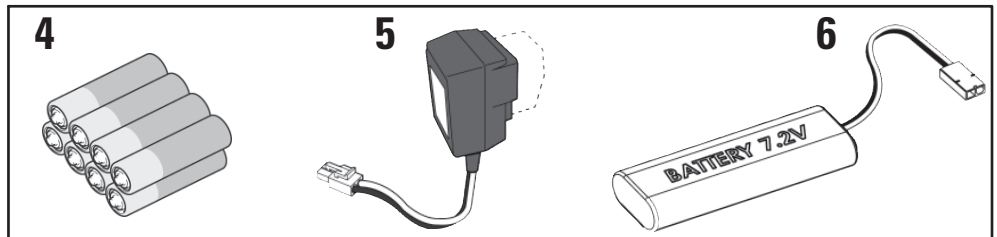


### Included Items

4. AA (8)
5. ECX1075 Battery Charger  
ECX1075AU Battery Charger (AU)  
ECX1075EU Battery Charger (EU)  
ECX1075UK Battery Charger (UK)

*Note: Charger power outlet terminals not shown.*

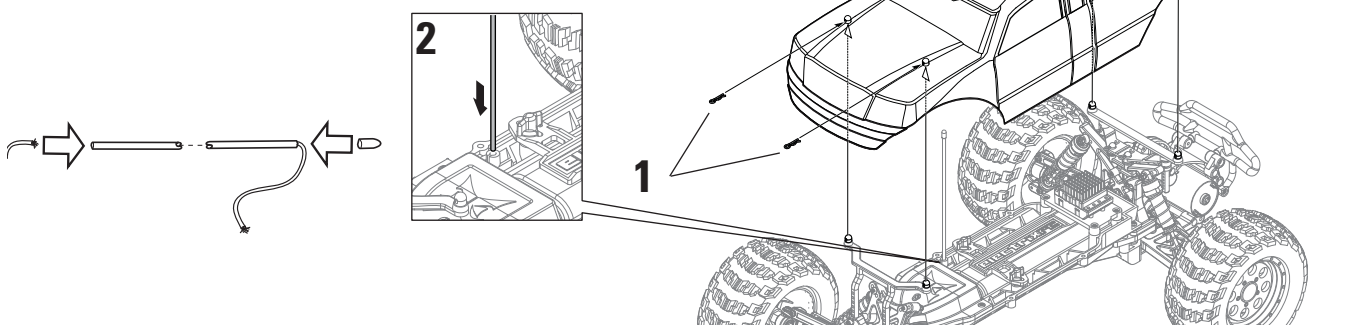
6. 7.2V NiMH battery (DYN1050)
7. Alternate Crystal Set (not shown)



## VEHICLE PREPARATIONS

### INSTALLING ANTENNA TUBE AND BODY

1. Body Clips (ECX1048)
2. Antenna Tube (ECX1087)



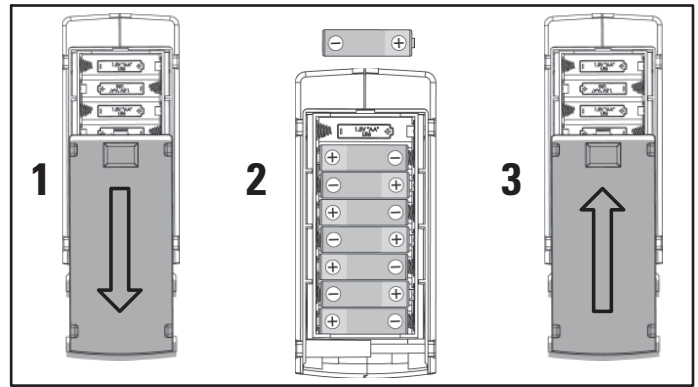
## INSTALLING TRANSMITTER BATTERIES

1. Slide panel open on bottom of transmitter.
2. Obey battery plus (+) and minus (-) diagram in transmitter to install 8 AA batteries.
3. Slide panel closed on transmitter.

**⚠ WARNING:** ALWAYS use fully charged batteries in the transmitter. Low battery power can result in loss of control of the RC vehicle.  
NEVER install damaged batteries, batteries of mixed types or batteries of different ages in the transmitter. Remove exhausted batteries.  
NEVER store transmitter with batteries installed.

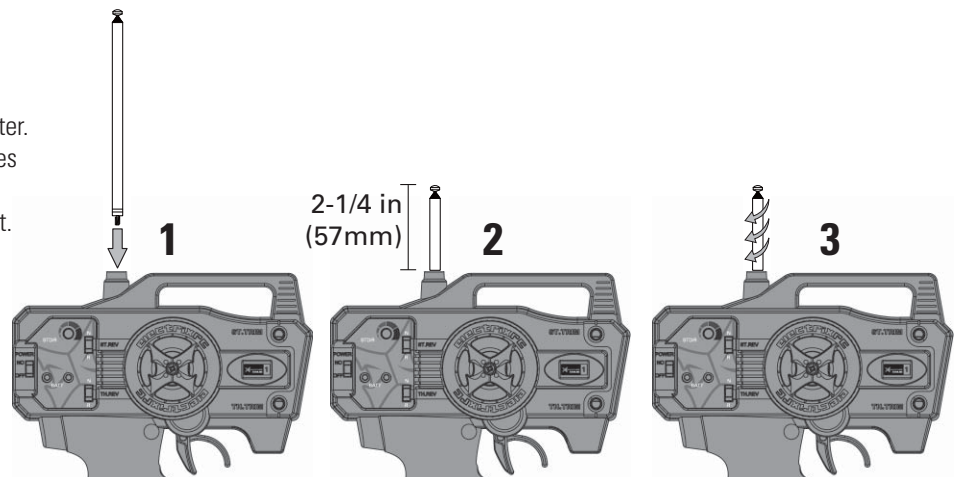
**Note:** Alkaline AA size batteries are recommended.

**Note:** Optional AA NiMH battery charger DYN1970 is available. Use only batteries approved for use with that charger. DYN1970 2300mAh Tx NiMH Conversion Kit: FUT, ECX



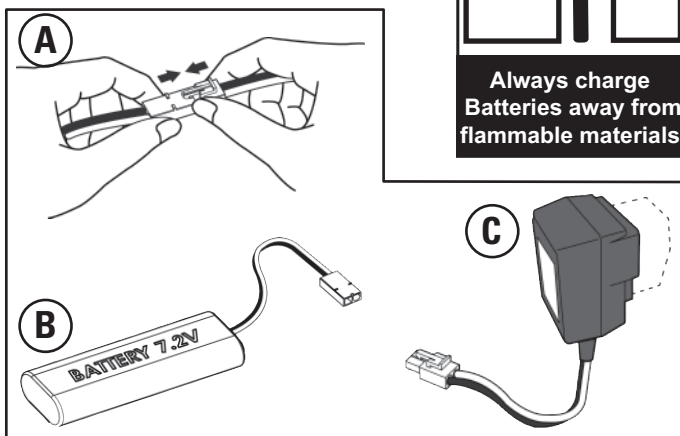
## INSTALLING TRANSMITTER ANTENNA

1. Put antenna in hole in top of the transmitter.
2. The collapsed antenna will be 2-1/4 inches long when fully inserted.
3. Turn the antenna clockwise until it is tight.



## CHARGING THE BATTERY

- A. Attach battery connector to the charger correctly.
  - B. 7.2V NiMH battery
  - C. Compatible Battery Charger
- Note:** Charger power outlet terminals not shown.



**Note:** The vehicle battery charger produces 300 milliAmps per hour. Divide the mAh capacity on the label of a battery by 300 to know how long battery charging will require. For example, an 1800mAh battery requires 6 hours to charge.

- Read all safety precautions and literature prior to use of this product.
- Never allow minors to charge battery packs without adult supervision.
- Never attempt to charge dead or damaged batteries.
- Never charge a battery if the cable has been pinched or shorted.

**⚠ WARNING**

Always charge Batteries away from flammable materials.

**⚠ WARNING**

Never leave charging Batteries unattended.

**⚠ WARNING**

Never charge Batteries outside recommended levels.

**⚠ WARNING**

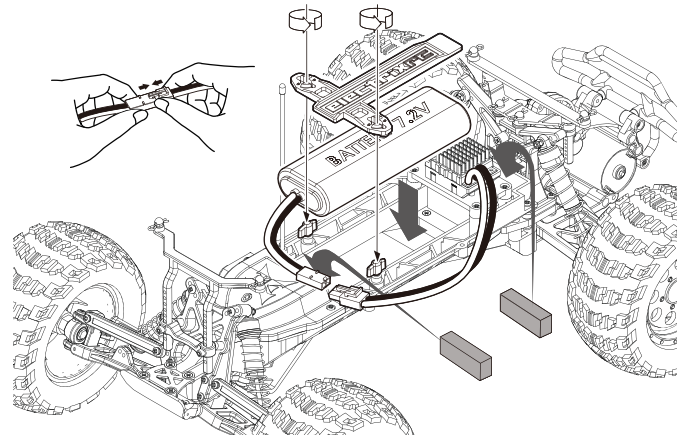
Never charge damaged Batteries.

- Never allow batteries or charger to come into contact with moisture at any time.
- Never charge batteries in extremely hot or cold places (recommended between 50–80 degrees Fahrenheit) or place in direct sunlight.
- Always use only NiMH rechargeable batteries. This charger cannot charge batteries such as "heavy duty," "alkaline battery," or "mercury battery."
- Always connect the positive red lead (+) and negative black lead (-) terminals of the battery to the charger terminals correctly.
- Always disconnect the battery and charger after charging, and let them cool between charges.
- Always inspect the battery before charging.
- Always terminate all processes and contact Horizon Hobby if the product malfunctions.
- Always make sure you know the specifications of the battery to be charged or discharged to ensure it meets the requirements of this charger.
- Never connect more than one battery pack to this charger at a time.
- Always constantly monitor the temperature of the battery pack while charging.
- Always end the charging process if the charger or battery becomes hot to the touch or starts to change form during the charge process.



## INSTALLING VEHICLE BATTERY

- Turn the thumb nuts on the chassis to remove the battery strap holding the battery. Remove or install a battery and replace the battery strap, locking the strap in place by turning the thumb nuts.
- You can put the foam blocks (ECX2015) in front of the battery so the weight of the battery increases rear traction or in back of the battery to increase steering response.



## OPERATION



ALWAYS turn on your transmitter before you turn on the receiver in the car. Always turn off the receiver before turning your transmitter off.

ALWAYS operate vehicle in a wide open area. Operating the vehicle in a small space or indoors can cause overheating at low speeds. Operating at low speed makes heat in the electronic speed control (ESC). Overheating can damage the vehicle and failure may result.

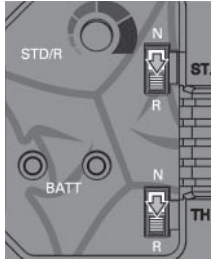


### MOTOR CARE

- Seat motor brushes by driving smoothly on a flat surface during use of the first battery charge.
- Prolong motor life by preventing overheat conditions. Undue motor wear results from frequent turns, stops and starts, pushing objects, driving in deep sand and tall grass and driving continuously up hill.
- Over-temperature protection is installed on the ESC to prevent circuit damage, but cannot protect the motor from driving against heavy resistance.

# TRANSMITTER CONTROLS

## REVERSE SWITCH



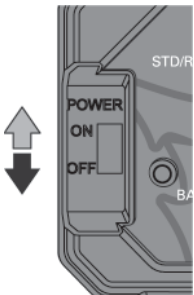
Allows you to change the direction of steering (ST. REV) and throttle (TH. REV) controls. (Default settings are "N")

## ST. D/R



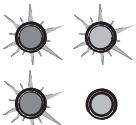
Adjusts the amount the front wheels move when turned left or right (Steering Dual Rate)

## POWER SWITCH



Power on or off the transmitter

## BATTERY LEVEL INDICATOR



Good battery power  
Low battery power

**Note:** Red light will flash with an audible signal (beep) when batteries are low

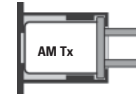
## ANTENNA

Pull antenna out to its full length (ECX1067 Antenna Only)

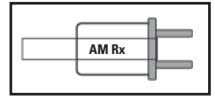
## AM 27MHZ TRANSMITTER CRYSTAL

Part #	Description
ECX1081	Crystal Set 1 26.995
ECX1082	Crystal Set 2 27.045
ECX1083	Crystal Set 3 27.095
ECX1084	Crystal Set 4 27.145
ECX1085	Crystal Set 5 27.195
ECX1086	Crystal Set 6 27.255

AM Transmitter Crystal (Tx)



AM Receiver Crystal (Rx)



**Note:** Paired AM crystals must be replaced to change control frequencies. Do NOT use FM Crystals.

## STEERING TRIM



Adjust to make the vehicle drive straight with no input at the steering wheel

## THROTTLE TRIM



Adjusts the neutral point of the electronic speed control

## STEERING WHEEL



Control steering. Right and Left steering with ST. REV Switch on N (See ST. REV switch)

## THROTTLE TRIGGER

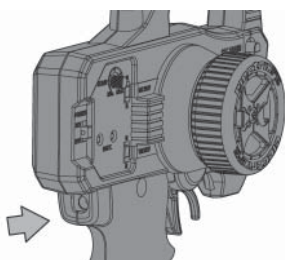


Forward (when TH. REV switch on N)

Reverse (when TH. REV switch on N)

Controls power to motor for forward or reverse (See TH. REV switch)

## CHARGER PORT



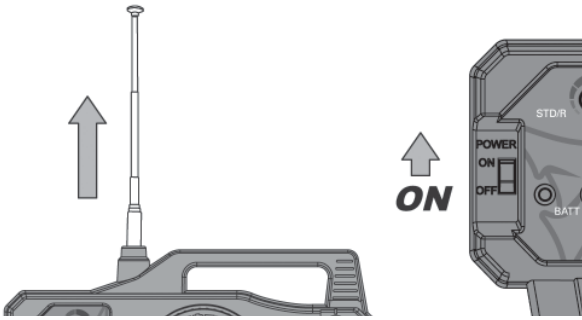
### ⚠ WARNING

Read instructions before charging. Charge only rechargeable batteries. Non-rechargeable batteries may burst causing injury to persons and/or damage to property.

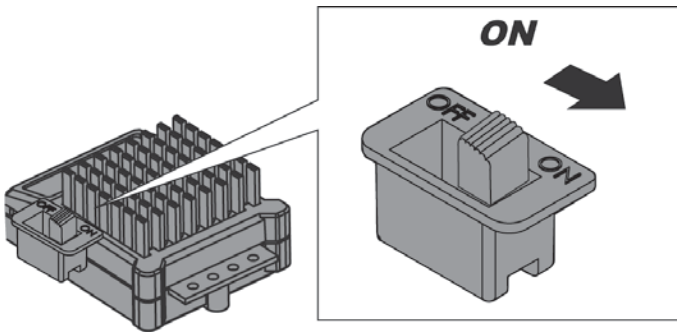
**Note:** The center pin on the charge jack is positive.

## GETTING STARTED

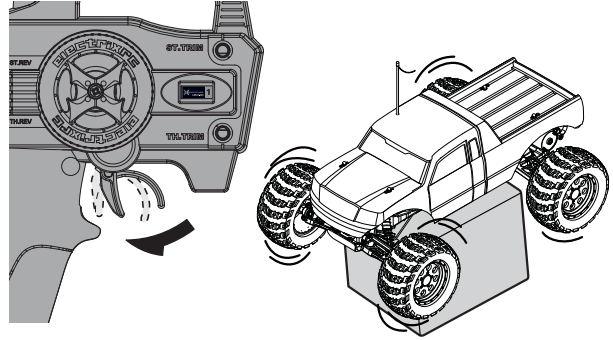
1. Fully extend Antenna and Power on Transmitter.



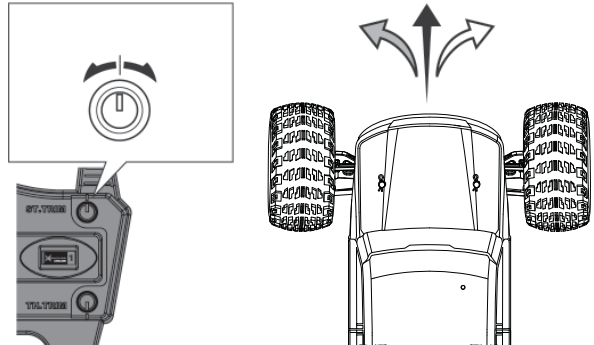
2. Connect battery (page 3) to Electronic Speed Control (ESC) and power on the ESC.



3. Do a Test of Transmitter's control of vehicle with vehicle wheels off ground.



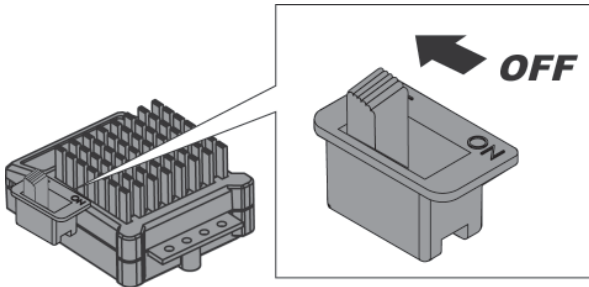
4. Start driving slowly and if the vehicle does not go straight, adjust steering trim dial on Transmitter.



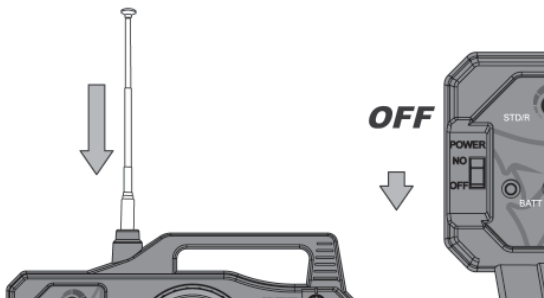
**Note:** Seat motor brushes by driving smoothly on a flat surface during use of the first battery charge.

## WHEN YOU ARE FINISHED

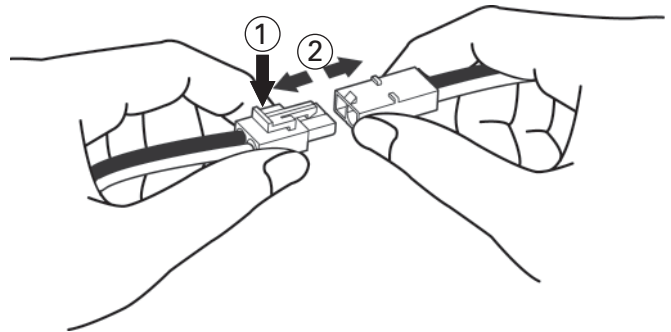
1. Power off Electronic Speed Control (ESC)



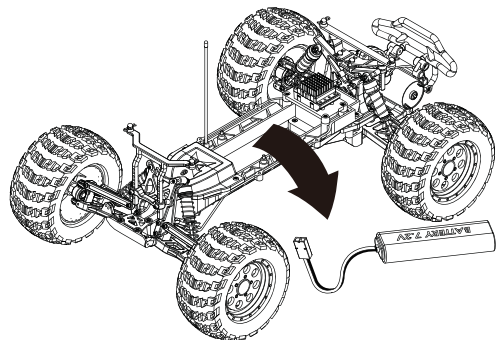
2. Power off the Transmitter and Lower Antenna



3. Disconnect Battery



4. Remove Battery from vehicle

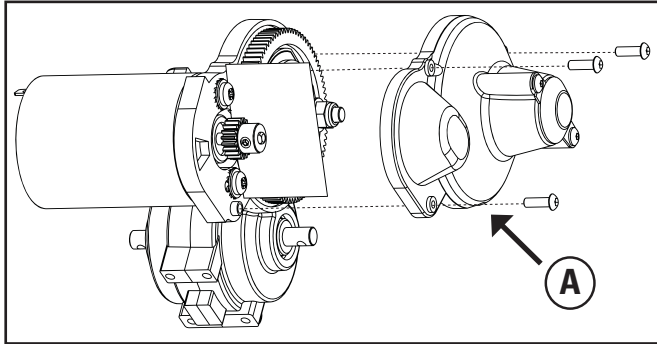


**Note:** To prevent damage to antenna, collapse the antenna by pulling the lower sections in first.

## SETTING THE GEAR MESH

Gear mesh has already been set at the factory, and setting it is only necessary when changing motors or gears.

**Note:** You must remove the vehicle's gear cover (A) to do this adjustment.



<p><b>⚠ WARNING</b></p> <p><b>Never touch moving parts.</b></p>	<p><b>⚠ WARNING</b></p> <p><b>120°F/49°C ↑</b></p> <p><b>Always let parts cool before touching.</b></p>	<p><b>⚠ WARNING</b></p> <p><b>Never disassemble while batteries installed.</b></p>
---	---	--

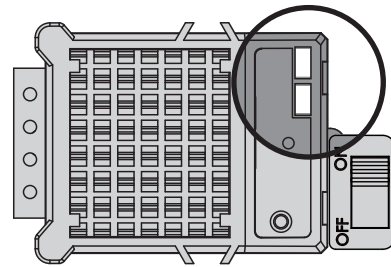
Proper gear mesh (how gear teeth meet) is important to the performance of the vehicle. When gear mesh is too loose, the spur gear could be damaged by the pinion gear of the motor. If the mesh is too tight, speed could be limited and the motor and ESC will overheat.

1. Loosen the two (2) motor screws.
2. Put a small piece of paper between the pinion and spur gears.
3. Push the gears together while tightening the motor screws.
4. Remove the paper and the gears should move a small amount.
5. Reinstall gear cover.

## ELECTRONIC SPEED CONTROL (ESC)

**Note:** When motor disconnected or damaged, beep may not be heard.

**Note:** Low voltage cutoff (LVC) will stop the vehicle when the battery gets low. The ESC will reset after approximately 10 seconds. The vehicle can then be driven slowly back to the driver for battery recharge.

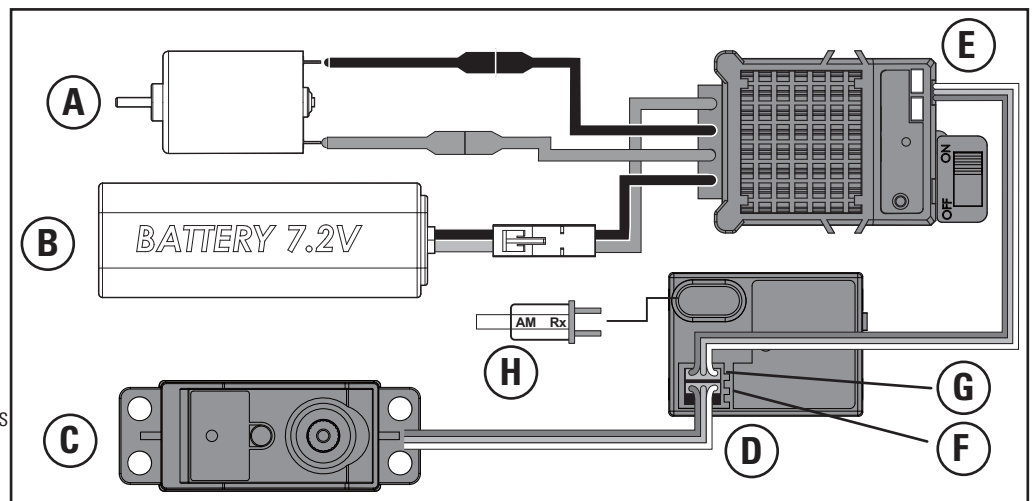


LED	LED Status Description	LED Indication
	Solid Green	Forward
	Solid Red	Reverse
<p>beep   beep   beep</p>	Red LEDs flashing with beep	Transmitter is not being received.
<p>beep   beep   —   beep   beep   —   beep   beep</p>	Red LEDs flashing twice with beeps	Signal that Vehicle battery is low.
<p>beep   beep   beep   —   beep   beep   beep   —   beep   beep   beep</p>	Red LEDs flashing three times with beeps	Motor is overloaded or temperature of ESC is high.

## ELECTRICAL LAYOUT

Part #	Description
A	ECX1071 Motor
B	DYN1050 Battery 7.2V
C	ECX1069 Steering Servo
D	ECX1068 Receiver
E	ECX1070 Electronic Speed Control (ESC)
F	Channel 1
G	Channel 2
H	AM Receiver Crystal (Rx)

**Note:** For correct operation, Channels 1 and 2 must be used as shown in wiring diagram. The motor can be disconnected from the ESC at the connectors in the wiring.





# MAINTENANCE

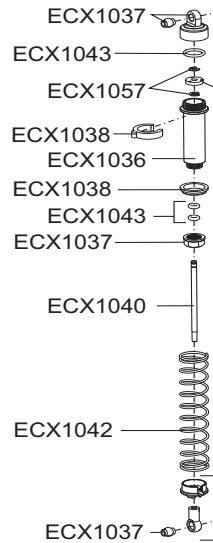
## SHOCK CLEANING

- Oil-filled shocks will require regular maintenance due to the oil breaking down or getting dirty. This maintenance should be performed after about every 3 to 5 hours of use depending on conditions that the vehicle is used in.
- Remove the shock from the vehicle.
- Remove the cap from the shock body and dispose of fluid.
- Disassemble the shock. Clean thoroughly with DYN5505. Dry parts before assembly.
- Assemble the shock and refill the shock body with silicone fluid (30 weight recommended).
- Slowly move the shaft and piston up and down to remove air bubbles.
- Move the piston to the midway point of the body and install the cap.
- Wipe off any overflowing fluid.
- When properly filled, the piston should rebound about 3/8 in (9.5mm) after being pushed in fully.
- Install shock on vehicle.

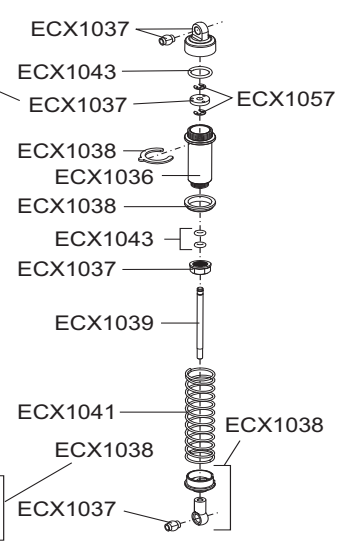
### Ride Height Adjustment

Ride height is an adjustment that affects the way the vehicle jumps, turns and goes over bumps. Drop one end of the vehicle from approximately 6 inches (152 mm) in height onto a flat surface. When dropping the front of the vehicle, after the vehicle settles make sure the front arms are equal and parallel to the flat surface. Do the same with the rear and look at the rear to make sure both arms are parallel with the flat surface. Lower the front ride height to increase steering. Lower the rear ride height to increase traction but decrease steering.

### REAR SHOCK



### FRONT SHOCK



Part #	Description
ECX1036	Shock Body Set
ECX1037	Shock Caps, Pistons
ECX1038	Shock Parts Set
ECX1039	Front Shock Shaft (2)
ECX1040	Rear Shock Shaft (2)
ECX1041	Front Shock Springs (2)
ECX1042	Rear Shock Springs (2)
ECX1043	Shock O-Ring Set

## FASTENERS

No.	Description	No.	Description	No.	Description	No.	Description
	TAPPING BINDER HEAD M3x10mm		BINDER HEAD M3x8mm		BUTTON HEX M2.5x4mm		SET SHAFT SCREW M3x13mm
	TAPPING BINDER HEAD M3x12mm		BINDER HEAD M3x12mm		BUTTON HEX M2.5x8mm		WASHER 5x7x0.5mm
	TAPPING BINDER HEAD M3x16mm		BINDER HEAD M3x20mm		STEP SCREW M3x0.5x7.4mm		WASHER 3x8x0.5mm
	TAPPING BINDER HEAD M3x18mm		BINDER HEAD M3x25mm		STEP SCREW M3x0.5x13.4mm		WASHER 2x7x0.5mm
	TAPPING FLAT HEAD M3x10mm		BUTTON HEAD M3x30mm		STEP SCREW M3x0.5x10.5mm		FLANGED LOCK NUT M4
	TAPPING FLAT HEAD M3x12mm		BUTTON HEAD M2x6mm		SET SCREW M3x3mm		LOCK NUT M3
	TAPPING FLAT HEAD M3x15mm		TAPPING BUTTON HEAD M3x10mm		SET SCREW M3x12mm		E-CLIP E2.5
	TAPPING FLAT HEAD M2x16mm						LOCK WASHER

## TROUBLESHOOTING GUIDE

Problem	Possible Cause	Solution
Short Run Time	<ul style="list-style-type: none"> <li>• Battery damaged/not charged</li> <li>• Motor dirty or brushes worn</li> </ul>	<ul style="list-style-type: none"> <li>• Check/change battery</li> <li>• Check/clean/replace</li> </ul>
Sluggish Action	<ul style="list-style-type: none"> <li>• Motor dirty or brushes worn</li> <li>• Bind in drivetrain</li> <li>• Vehicle battery is not charged</li> </ul>	<ul style="list-style-type: none"> <li>• Check/clean/replace</li> <li>• Clean/adjust</li> <li>• Replace/recharge</li> </ul>
Controls Reversed	<ul style="list-style-type: none"> <li>• ST. REV or TH. REV</li> </ul>	<ul style="list-style-type: none"> <li>• Change switch position</li> </ul>
Motor/ESC overheat	<ul style="list-style-type: none"> <li>• Over-gearred</li> </ul>	<ul style="list-style-type: none"> <li>• Install smaller pinion</li> </ul>
Doesn't Operate	<ul style="list-style-type: none"> <li>• Transmitter batteries low</li> <li>• Transmitter powered off</li> <li>• ESC powered off</li> <li>• Vehicle battery is not charged</li> </ul>	<ul style="list-style-type: none"> <li>• Replace/recharge</li> <li>• Power On</li> <li>• Power On</li> <li>• Replace/recharge</li> </ul>
Poor Range	<ul style="list-style-type: none"> <li>• Transmitter batteries low</li> <li>• Transmitter antenna is damaged or loose</li> <li>• Receiver antenna damaged</li> <li>• Motor dirty or brushes worn</li> </ul>	<ul style="list-style-type: none"> <li>• Replace/recharge</li> <li>• Check/tighten</li> <li>• Check/repair/replace</li> <li>• Check/clean/replace</li> </ul>

## WARRANTY AND REPAIR POLICY

### Warranty Period

Exclusive Warranty- Horizon Hobby, Inc., (Horizon) warrants that the Products purchased (the "Product") will be free from defects in materials and workmanship at the date of purchase by the Purchaser.

### Limited Warranty

**Horizon reserves the right to change or modify this warranty without notice and disclaims all other warranties, express or implied.**

(a) This warranty is limited to the original Purchaser ("Purchaser") and is not transferable. REPAIR OR REPLACEMENT AS PROVIDED UNDER THIS WARRANTY IS THE EXCLUSIVE REMEDY OF THE PURCHASER. This warranty covers only those Products purchased from an authorized Horizon dealer. Third party transactions are not covered by this warranty. Proof of purchase is required for all warranty claims.

(b) Limitations- HORIZON MAKES NO WARRANTY OR REPRESENTATION, EXPRESS OR IMPLIED, ABOUT NON-INFRINGEMENT, MERCHANTABILITY OR FITNESS FOR A PARTICULAR PURPOSE OF THE PRODUCT. THE PURCHASER ACKNOWLEDGES THAT THEY ALONE HAVE DETERMINED THAT THE PRODUCT WILL SUITABLY MEET THE REQUIREMENTS OF THE PURCHASER'S INTENDED USE.

(c) Purchaser Remedy- Horizon's sole obligation hereunder shall be that Horizon will, at its option, (i) repair or (ii) replace, any Product determined by Horizon to be defective. In the event of a defect, these are the Purchaser's exclusive remedies. Horizon reserves the right to inspect any and all equipment involved in a warranty claim. Repair or replacement decisions are at the sole discretion of Horizon. This warranty does not cover cosmetic damage or damage due to acts of God, accident, misuse, abuse, negligence, commercial use, or modification of or to any part of the Product. This warranty does not cover damage due to improper installation, operation, maintenance, or attempted repair by anyone other than Horizon. Return of any Product by Purchaser must be approved in writing by Horizon before shipment.

### Damage Limits

HORIZON SHALL NOT BE LIABLE FOR SPECIAL, INDIRECT OR CONSEQUENTIAL DAMAGES, LOSS OF PROFITS OR PRODUCTION OR COMMERCIAL LOSS IN ANY WAY CONNECTED WITH THE PRODUCT, WHETHER SUCH CLAIM IS BASED IN CONTRACT, WARRANTY, NEGLIGENCE, OR STRICT LIABILITY. Further, in no event shall the liability of Horizon exceed the individual price of the Product on which liability is asserted. As Horizon has no control over use, setup, final assembly, modification or misuse, no liability shall be assumed nor accepted for any resulting damage or injury. By the act of use, setup or assembly, the user accepts all resulting liability.

If you as the Purchaser or user are not prepared to accept the liability associated with the use of this Product, you are advised to return this Product immediately in new and unused condition to the place of purchase.

Law: These Terms are governed by Illinois law (without regard to conflict of law principals).

### WARRANTY SERVICES

#### Questions, Assistance, and Repairs

Your local hobby store and/or place of purchase cannot provide warranty support or repair. Once assembly, setup or use of the Product has been started, you must contact Horizon directly. This will enable Horizon to better answer your questions and service you in the event that you may need any assistance. For questions or assistance, please direct your email to [productsupport@horizonhobby.com](mailto:productsupport@horizonhobby.com), or call 877.504.0233 toll free to speak to a Product Support representative. You may also find information on our website at [www.horizonhobby.com](http://www.horizonhobby.com).

#### Inspection or Repairs

If this Product needs to be inspected or repaired, please use the Horizon Online Repair Request submission process found on our website or call Horizon to obtain a Return Merchandise Authorization (RMA) number. Pack the Product securely using a shipping carton. Please note that original boxes may be included, but are not designed to withstand the rigors of shipping without additional protection. Ship via a carrier that provides tracking and insurance for lost or damaged parcels, as Horizon is not responsible for merchandise until it arrives and is accepted at our facility. An Online Repair Request is available at [www.horizonhobby.com](http://www.horizonhobby.com) <http://www.horizonhobby.com> under the Repairs tab. If you do not have internet access, please contact Horizon Product Support to obtain a RMA number along with instructions for submitting your product for repair. When calling Horizon, you will be asked to provide your complete name, street address, email address and phone number where you can be reached during business hours. When sending product into Horizon, please include your RMA number, a list of the included items, and a brief summary of the problem. A copy of your original sales receipt must be included for warranty consideration. Be sure your name, address, and RMA number are clearly written on the outside of the shipping carton.

**Notice: Do not ship batteries to Horizon. If you have any issue with a battery, please contact the appropriate Horizon Product Support office.**

#### Warranty Inspection and Repairs

**To receive warranty service, you must include your original**

**sales receipt** verifying the proof-of-purchase date. Provided warranty conditions have been met, your Product will be repaired or replaced free of charge. Repair or replacement decisions are at the sole discretion of Horizon.

### Non-Warranty Repairs

**Should your repair not be covered by warranty the repair will be completed and payment will be required without notification or estimate of the expense unless the expense**

**exceeds 50% of the retail purchase cost.** By submitting the item for repair you are agreeing to payment of the repair without notification. Repair estimates are available upon request. You must include this request with your repair. Non-warranty repair estimates will be billed a minimum of ½ hour of labor. In addition you will be billed for return freight. Horizon accepts money orders and cashiers checks, as well as Visa, MasterCard, American Express, and Discover cards. By submitting any item to Horizon for inspection or repair, you are agreeing to Horizon's Terms and Conditions found on our website under the Repairs tab.

## CONTACT INFORMATION

Country of Purchase	Horizon Hobby	Address	Phone Number / Email Address
United States of America	Horizon Service Center (Electronics and engines)	4105 Fieldstone Rd Champaign, Illinois 61822 USA	877-504-0233 productsupport@horizonhobby.com
	Horizon Product Support		
United Kingdom	Horizon Hobby Limited	Units 1-4 Ployters Rd Staple Tye Harlow, Essex CM18 7NS United Kingdom	+44 (0) 1279 641 097 sales@horizonhobby.co.uk
Germany	Horizon Technischer Service	Hamburger Str. 10 25335 Elmshorn Germany	+49 4121 46199 66 service@horizonhobby.de
France	Horizon Hobby SAS	14 Rue Gustave Eiffel Zone d'Activité du Réveil Matin 91230 Montgeron	+33 (0) 1 60 47 44 70

## FCC INFORMATION

This device complies with part 15 of the FCC rules. Operation is subject to the following two conditions: (1) This device may not cause harmful interference, and (2) this device must accept any interference received, including interference that may cause undesired operation.

**Caution:** Changes or modifications not expressly approved by the party responsible for compliance could void the user's authority to operate the equipment.

## COMPLIANCE INFORMATION FOR THE EUROPEAN UNION

### Declaration of Conformity

(in accordance with ISO/IEC 17050-1)

No. HH20100820



Product(s): ECX 1/10th Ruckus  
Item Number(s): ECX2000EU; ECX2000UK; ECX2100EU; ECX2100UK  
Equipment class: 1

The object of declaration described above is in conformity with the requirements of the specifications listed below, following the provisions of the European R&TTE directive 1999/5/EC:

**EN 300-220**

Technical requirements for Radio equipment.

**EN 301 489**

General EMC requirements for Radio equipment

**EN 60950**

Safety

Signed for and on behalf of:

Horizon Hobby, Inc.  
Champaign, IL USA  
Aug 20, 2010

Steven A. Hall  
Vice President  
International Operations and Risk  
Management  
Horizon Hobby, Inc.

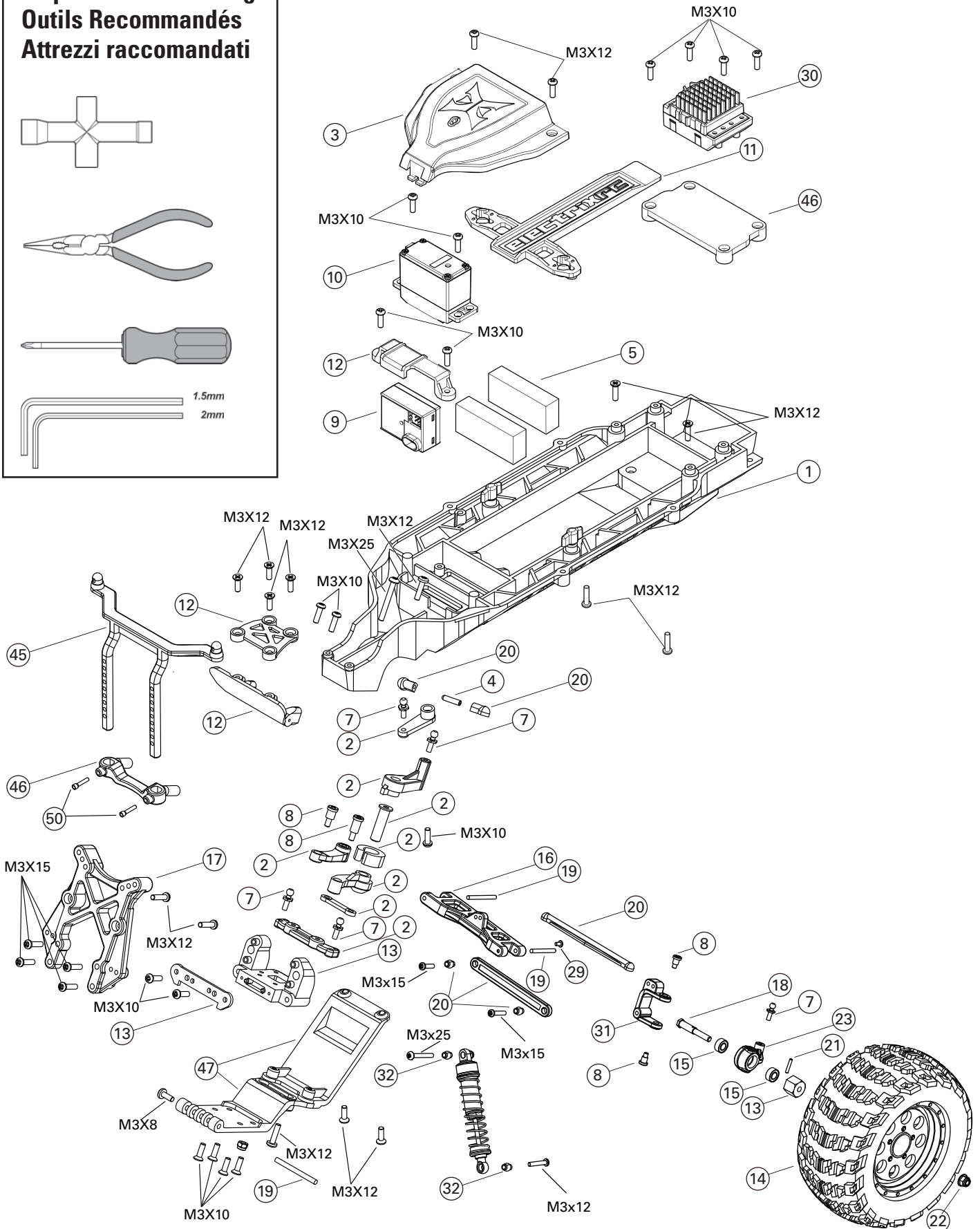
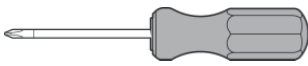
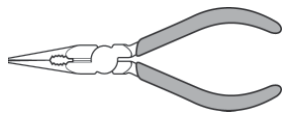
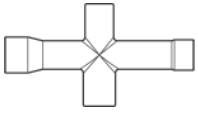
### Instructions for disposal of WEEE by users in the European Union



This product must not be disposed of with other waste. Instead, it is the user's responsibility to dispose of their waste equipment by handing it over to a designated collections point for the recycling of waste electrical and electronic equipment. The separate collection and recycling of your waste equipment at the time of disposal will help to conserve natural resources and ensure that it is recycled in a manner that protects human health and the environment. For more information about where you can drop off your waste equipment for recycling, please contact your local city office, your household waste disposal service or where you purchased the product.

# PARTS DIAGRAM | EXPLOSIONSZEICHNUNG | VUE ÉCLATÉE DES PIÈCES | ESPLOSO DEL MODELLO CON REFERENZA PEZZI

## Recommended Items Empfohlene Werkzeuge Outils Recommandés Attrezzi raccomandati





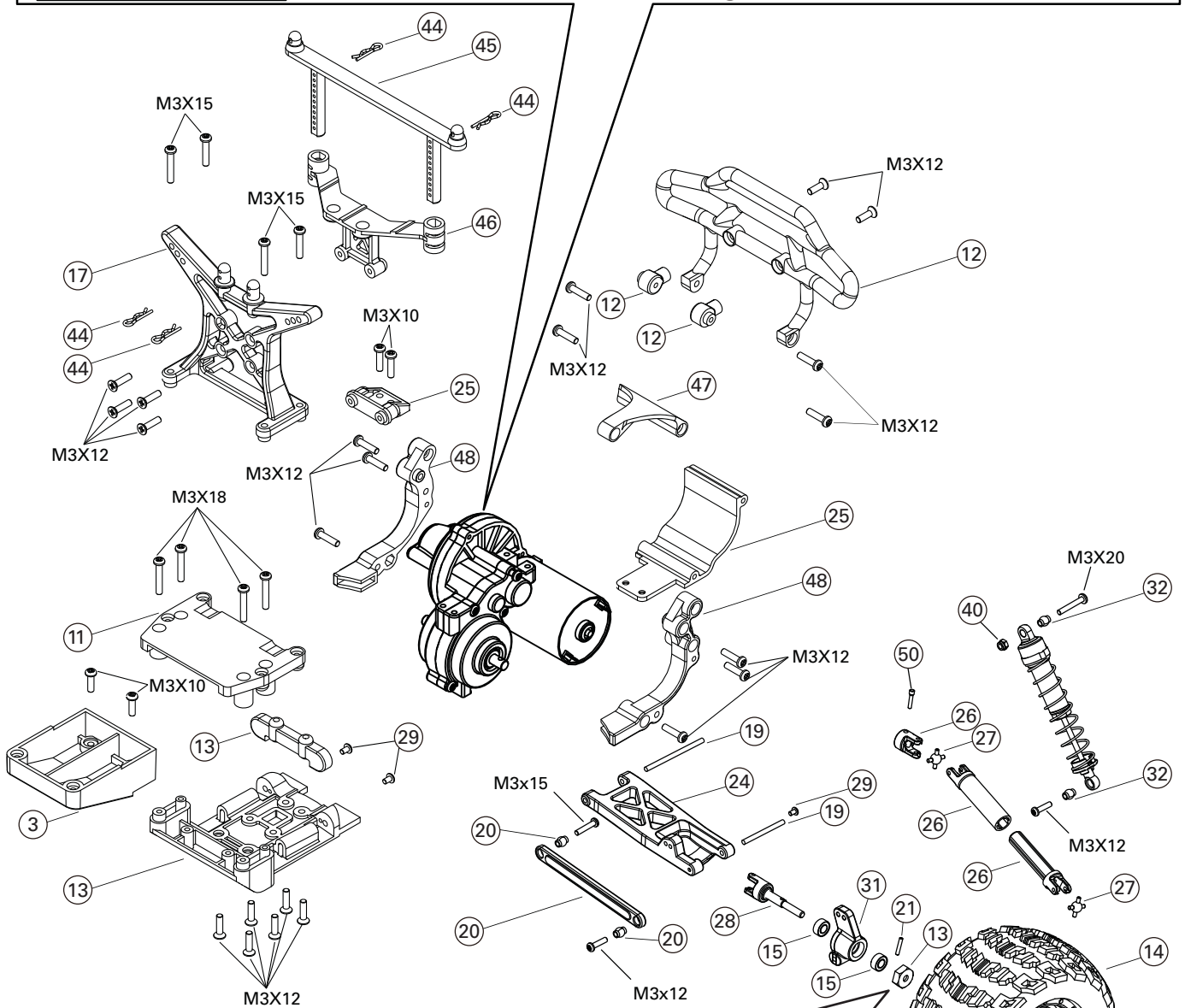
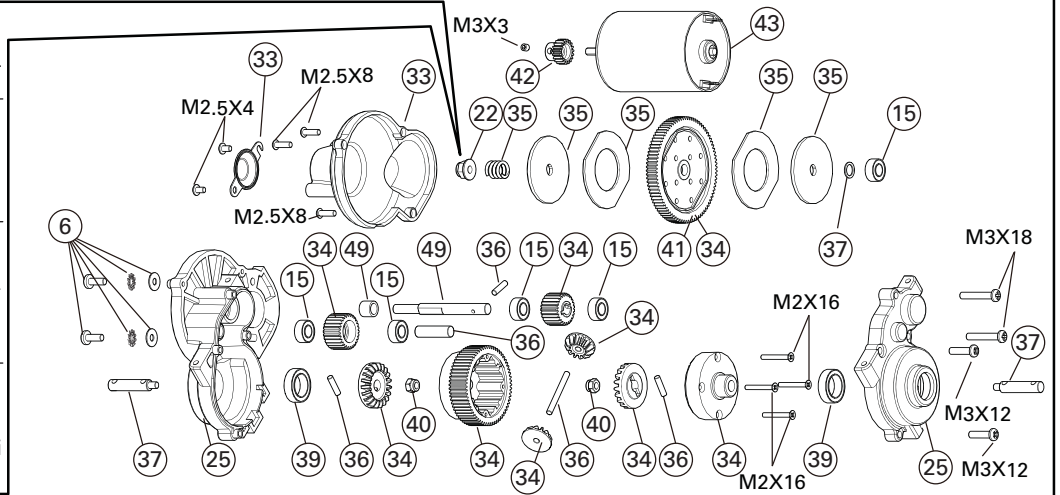
# PARTS DIAGRAM | EXPLOSIONSZEICHNUNG | VUE ÉCLATÉE DES PIÈCES | ESPLOSO DEL MODELLO CON REFERENZA PEZZI

**Note:** The slipper clutch can be adjusted using this locknut (ECX1060). Fully tighten the locknut. Then loosen the nut two full turns.

Die Rutschkupplung kann durch diese Stopmutter eingestellt werden (ECX1060). Ziehen Sie die Mutter an und drehen Sie dann volle zwei Umdrehungen zurück.

**A noter:** Il est possible d'ajuster l'embrayage "patinant" par action sur cet écrou de blocage (ECX1060). Veuillez à serrer l'écrou de blocage à fond. Ensuite, dévissez l'écrou de trois tours complets.

**Nota:** La frizione può essere regolata con questo dado autobloccante (ECX1060). Prima avvitate completamente il dado, poi svitatelo 2 giri.



**Note:** When installing wheel, make sure drive hex is aligned with the drive pin. When the drive hex is removed, the drive pin can fall out of the axle.

**Hinweis:** Bitte stellen Sie sicher, dass die Kanäle 1 und 2 wie abgebildet eingesteckt sind. Die Motorkabel können über Steckverbinder vom Regler getrennt werden.

**A noter:** Lors de l'installation de la roue, assurez-vous que l'écrou hexagonal est aligné avec la broche de l'axe d'entraînement. En cas de démontage de l'écrou hexagonal, la broche de l'axe d'entraînement peut sortir de l'axe et tomber.

**Nota:** Quando montate le ruote, accertatevi che il trascinato esagonale sia allineato con la spina del mozzo ruota. Quando togliete il trascinato esagonale la spina può sfilarsi dal mozzo.

Part #   Nummer Numéro   Codice	Description	Beschreibung	Description	Descrizione	
1	ECX2008	Main Chassis	Chassis	Châssis principal	Telaio principale
2	ECX1028	Servo Saver Set	Servo Saver Set	Jeu de sauvegarde de servo	Set salvaservo
3	ECX2011	Cover and Rear Mount Set		mont de couverture et arrière	
4	ECX1050	Setscrew M3x12 (4)	Schrauben Set M3x12 (4)	Jeu de vis M3x12 (4)	Grani M3x12 (4)
5	ECX2015	Foam Block	Schaum Block	Bloc de mousse	Spugna distanziale batteria
6	ECX1052	Motor Screw/Washer Set	Motor Screw/Washer Set	Vis Moteur/Set Rondelles	Viti per il motore/ set di rondelle
7	ECX1058	Ball Stud (6)	Kugelkopf (6)	Rondelle (6)	Sfere Uniball (6)
8	ECX1065	Shoulder Screw Set (8)	Passschrauben Set (8)	Jeu de vis d'épaulement (8)	Set viti a doppio stadio (8)
9	ECX1068	Receiver	Empfänger	Récepteur	Ricevente
10	ECX1069	Servo	Servo	Servo	Servo
11	ECX1088	Battery Hold Down	Akkuhalter	Fixation pour batterie	Piastra fermabatteria
12	ECX2012	Front/Rear Bumper Set	Stoßstange vorne hinten	Jeu de pare-chocs avant/arrière	Set paraurti ant/post
13	ECX2006	Suspension Arm Mount Set	Querlenker Set hinten	Jeu de renfort de suspension	Supporti braccetti sosp.
14	ECX2014	Mounted Wheel/Tire (2)	Mounted Wheel/Tire (2)	Roue Montée/Pneu (2)	Ruote e gomme montate (2)
15	ECX1015	Wheel Bearing Set	Radlagersatz Set	Jeu de roulement de roue	Set cuscinetti ruote
16	ECX1018	Front Suspension Arm Set	Querlenker Set vorne	Jeu de bras de suspension avant	Braccetti delle sospensioni anteriori
17	ECX1020	Shock Tower Set	Dämpferbrücke	Jeu de support d'amortisseur	Supporto ammortizzatori posteriori
18	ECX1035	Front Axle (2)	Radachse vorne (2)	Axe avant (2)	Mozi ruota anteriori (2)
19	ECX1044	Hinge Pin Set	Querlenkerbolzen Set	Jeu de broche d'axe	Set perni sospensioni
20	ECX1046	Camber, Toe Link Set	Spur- Sturzstangenset	Jeu de biellette de cambrure, de pincement	Set tiranteria Camber e convergenza
21	ECX1049	Wheel Pins (4)	Radmitnehmerstifte (4)	Broches de roue (4)	Spine trascinatori ruote (4)
22	ECX1060	M4 Locknut (4)	M4 Stopmutter (4)	Ecrou de blocage M4 (4)	Dadi autobloccanti M4 (4)
23	ECX1089	Steering Block Set	Lenkhebel Set	Jeu de bloc de direction	Fuselli sterzo
24	ECX1019	Rear Suspension Arm Set	Querlenker Set hinten	Jeu de bras de suspension arrière	Braccetti delle sospensioni posteriori
25	ECX1021	Transmission Case Set	Getriebegehäuse	Ensemble carter de transmission	Set scatola trasmissione
26	ECX1031	Driveshaft Set	Antriebswellen Set	Ensemble arbre de transmission	Set semiassi
27	ECX1032	Driveshaft Pivot Ball (4)	Antriebswellengelenk (4)	Boule pivot d'arbre de transmission (4)	Snodi semiassi (4)
28	ECX1034	Rear Axle (2)	Wellenmitnehmer hinten (2)	Axe arrière (2)	Mozi ruota anteriori (2)
29	ECX1045	Hinge Pin Screws (8)	Querlenkerbolzen Schrauben (8)	Vis de broche d'axe (8)	Viti per perni sospensioni (8)
30	ECX1070	ESC	Regler / ESC	CEV	Variatore elettronico (ESC)
31	ECX1090	Rear Hub Carrier Set	Hinterer Rad Träger Set	Jeu de porte-moyeu arrière	Portamozi posteriori
32	ECX1037	Shock Caps, Pistons	Stoßdämpferkappen Kolben	Obturbateurs d'amortisseur, pistons	Set tappi e pistoni ammortizzatori
33	ECX1027	Gear Cover	Gear Cover	Carter de Réducteur	Copertura per ingranaggi
34	ECX1022	Transmission Gear Set	Getriebe	Ensemble couronne de transmission	et ingranaggi trasmissione
35	ECX1024	Slipper Clutch Plates, Pads, Spring	Rutschkupplung Teilesatz	Plateaux d'embrayage patinant, plaquettes, ressort	Piattelli frizione, disco, molla
36	ECX1025	Transmission Idler Shaft, Drive Pins	Haupttriebewelle Set	Arbre secondaire de transmission, axes d'entraînement	Alberino intermedio con spina
37	ECX1026	Transmission Drive Shaft (2)	Getriebeausgangswelle (2)	Axe d'arbre de transmission (2)	Mozi Differenziale (2)
38	ECX1052	Washer Set	Unterlegscheiben Set	Jeu de rondelles	Set rondelle
39	ECX1055	Bearings 10x15x4 (2)	Lager 10x15x4 (2)	Roulements 10x15x4 (2)	Cuscinetti 10x15x4 (2)
40	ECX1059	M3 Locknut (4)	M3 Stopmutter (4)	Ecrou de blocage M3 (4)	Dadi autobloccanti M3 (4)
41	ECX1076	Spur Gear	Hauptzahnrad	Couronne	Corona
42	ECX1073	19-Tooth Pinion Gear	19-Tooth Pinion Gear	Pignon 10 dents	Pignone a 19 denti
43	ECX1071	Motor	Motor	Moteur	Motore
44	ECX1048	Body Clip	Body Clip	Clips Carrosserie	Clippe per carrozzeria
45	ECX2010	Body Post Set	Body Post Set	Set Plots Carrosserie	Set di sostegni per la carrozzeria
46	ECX2009	Body Mount Set	Body Mount Set	Set Montage Carrosserie	Set di montaggio per la carrozzeria
47	ECX2007	Skid Plate Set	Skid Plate Set	Set Plaque Chassis	Set piste di protezione
48	ECX2013	Rear Holder Set	Rear Holder Set	Set de Maintien Arrière	Set supporto posteriore
49	ECX1023	Top Shaft/Spacer	Top Shaft/Spacer	Set de Goupilles	Set di spessori
50	ECX1033	Setscrew M3x10	Sicherungsschrauben (4)	Vis (4)	Viti (4)











Created 10/10

22425.1

ECX2000, ECX2000UK, ECX2000EU, ECX2000AU  
ECX2100, ECX2100UK, ECX2100EU, ECX2100AU

© 2010 Horizon Hobby, Inc.