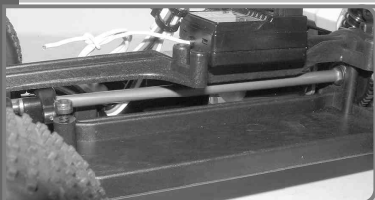


RC 18T

Instruction Manual for the Team Associated 18T



18T - Key Features

Full Time Shaft Drive 4WD!



Racing Ball Differentials, front and rear!



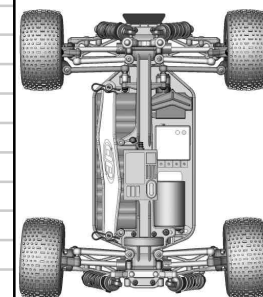
Full Ball Bearings!



"XP" Series Racing Electronics!



Oil Filled Racing Shocks!



18T Chassis Specs

Length: 214 mm

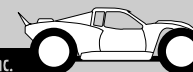
Width: 182 mm

Wheelbase: 154 mm

Internal Gear Ratio: 2.5:1

Weight: 540 g (with body)

Drivetrain: Shaft drive



Thank you for selecting this Team Associated model.

Team Associated wants you to enjoy the driving and maintaining of your new model. If you come across any problems or need help with the maintenance of your model, please give us a call and we will do our very best to help you.

The Kit

Your new vehicle comes factory assembled with radio gear and battery. You will need to purchase AA batteries for your radio. Please see the Quick Start Guide for installing your AA batteries.

The Manual

This Manual is provided should you need to rebuild your vehicle. Examine each step carefully before building. Special notes for each step will be marked with a ▼.

Customer Support

Tel: 714.850.9342

Fax: 714.850.1744

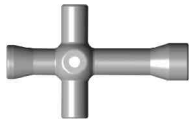
Hours: 8:00am - 4:00pm, pst

<http://www.rc10.com>

<http://www.TeamAssociated.com>



recommended tools for assembly and maintenance



4-way wrench
(included)



hex wrench, 1.5mm, 3/32"
(included)



#1 Phillips screwdriver

recommended servo list

using kit mount:

XP C1016

ACE C1016

Airtronics 94091

Futaba S3106

using optional mount:

Hitec HS-55, HS-56HB, HS-65HB, HS-81



items required to operate your vehicle

AA Size Battery

8 AA size batteries

Associated Electrics, Inc.

3585 Cadillac Ave. Costa Mesa, CA 92626 USA

© 2004 Associated Electrics, Inc.



► Bag A - Step 1



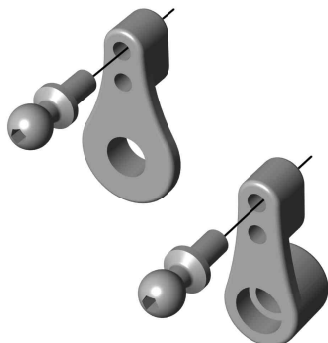
21041, qty 1
servo saver



21050, qty 1
steering bellcrank



21082, qty 2
ball stud, 5mm



► Step 2



21041, qty 2
M2.5 x 9 bhps



21050, qty 1
steering drag link



▼ should be 'free' movement

► Step 3



21041, qty 1
M2.0 x 9 bhps



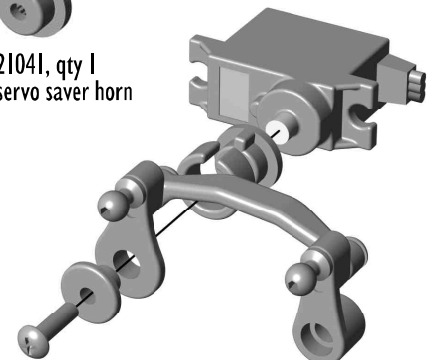
21041, qty 1
servo saver
bushing



21041, qty 1
servo saver spring,
steel



21041, qty 1
servo saver horn



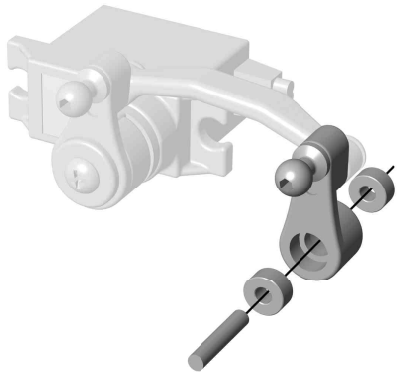
▶ Step 4



21050, qty 2
steering bellcrank
bushing



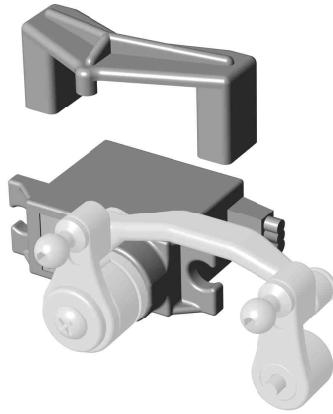
21050, qty 1
steering bellcrank
hinge pin



▶ Step 5



21040, qty 1
servo mount



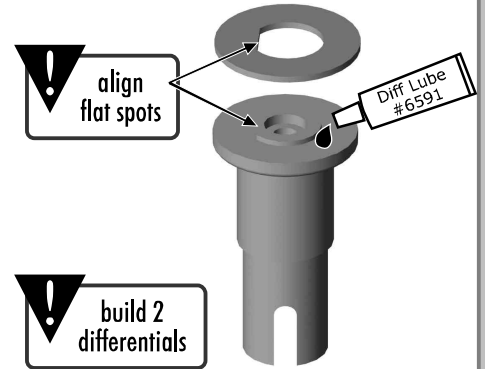
▶ Bag B - Step 1



21027, qty 1
diff outdrive (long)



21115, qty 1
diff drive ring



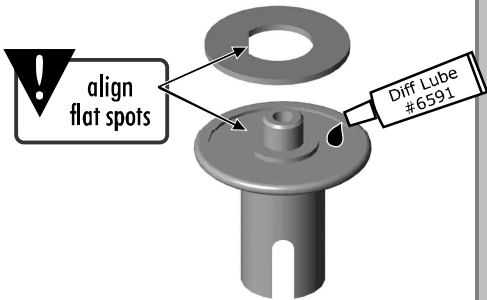
▶ Step 2



21027, qty 1
diff outdrive (short)



21115, qty 1
diff drive ring



▶ Step 3

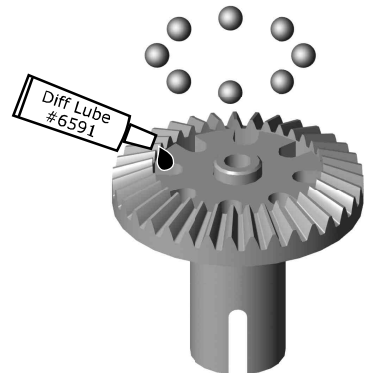


21022, qty 1
diff gear



▶ Step 4

21115, qty 8
diff balls, 2mm



▶ Step 5

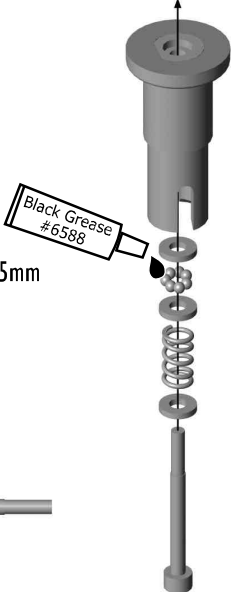


21115, qty 3
thrust washer

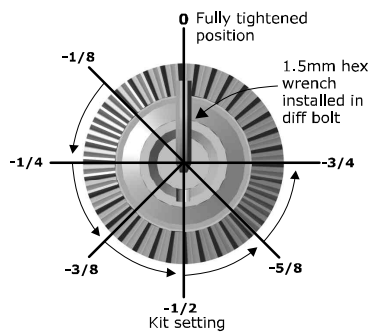
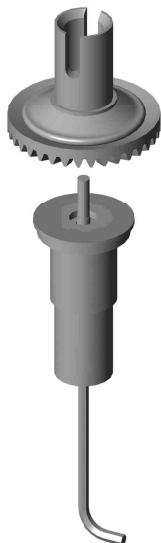
21115, qty 7
thrust balls, 1.5mm

21115, qty 1
diff spring

21115, qty 1
diff bolt



▶ Step 6



! Do not over-tighten
diff bolt!
When fully compressed,
set at 1/2 turn out
(see diagram)

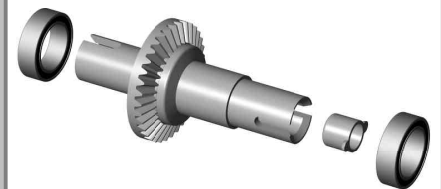
▶ Step 7



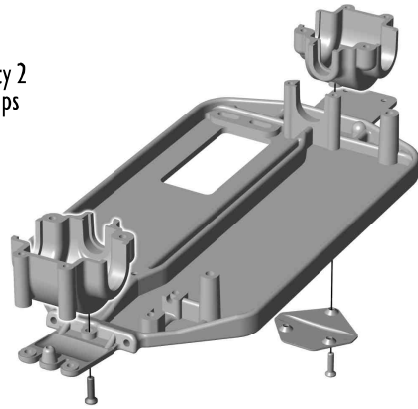
21027, qty 1
dogbone spring cup



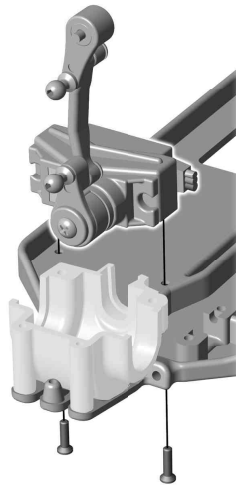
21106, qty 2
8 x 12 x 3.5 bearing



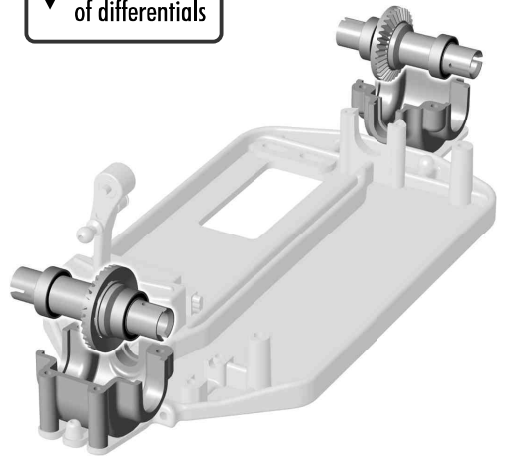
▶ Bag C - Step 1

21001, qty 1
18t chassis21025, qty 2
18t gearbox cases21077, qty 1
gear cover25196, qty 2
M2 x 8 fhps

▶ Step 2

25196, qty 2
M2 x 8 fhps

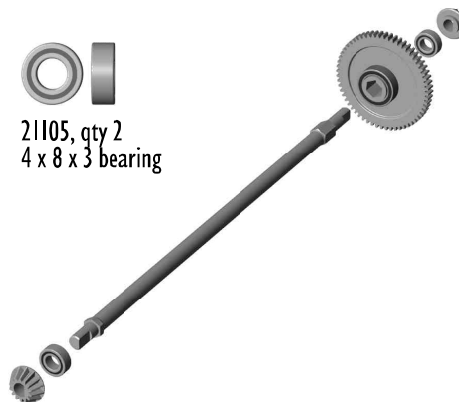
▶ Step 3



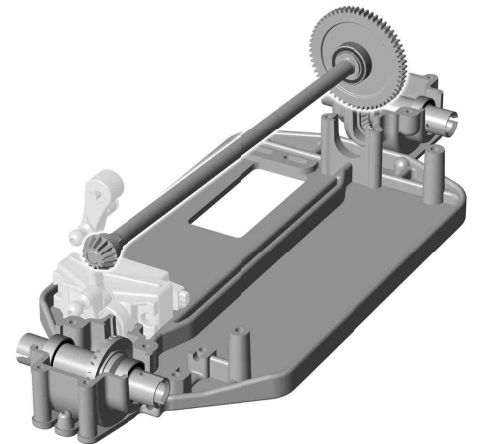
▶ Step 4

21033, qty 1
55t spur gear21106, qty 1
8 x 12 x 3.5 bearing

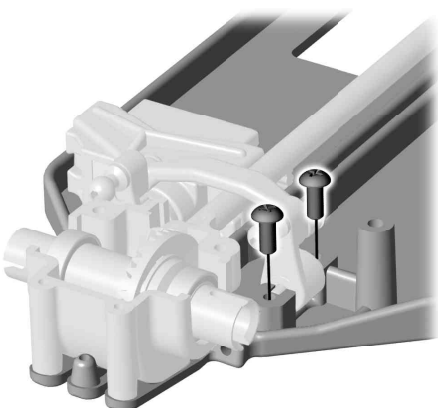
▶ Step 5

21022, qty 2
input bevel gear21089, qty 1
main driveshaft21105, qty 2
4 x 8 x 3 bearing

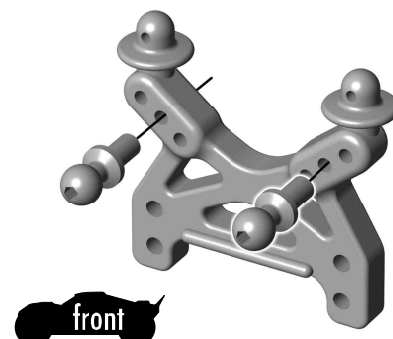
▶ Step 6



▶ Step 7

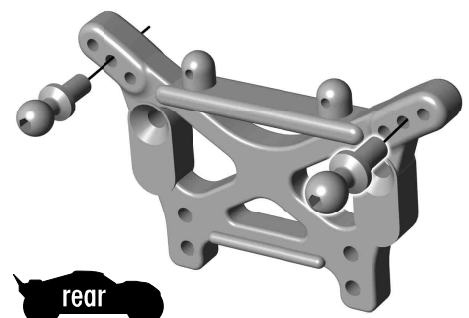
21133, qty 2
M2.5 x 6 bhps

▶ Step 8

21017, qty 1
shock tower, front21082, qty 2
ballstud, 5mm

front

▶ Step 9

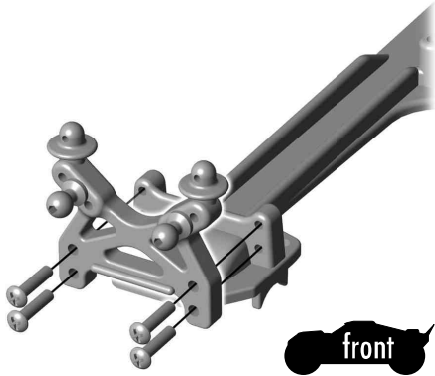
21017, qty 1
shock tower, rear21082, qty 2
ballstud, 5mm

rear

▶ Step 10

21003, qty 1
chassis top plate

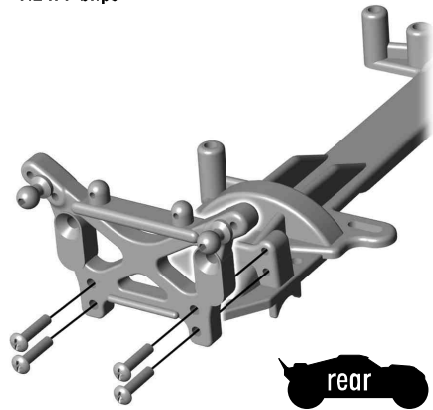
21132, qty 4
M2 x 9 bhps



front

▶ Step 11

21132, qty 4
M2 x 9 bhps

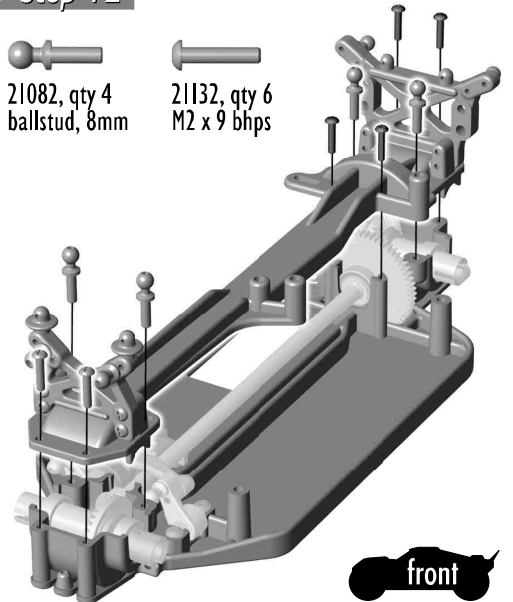


rear

▶ Step 12

21082, qty 4
ballstud, 8mm

21132, qty 6
M2 x 9 bhps

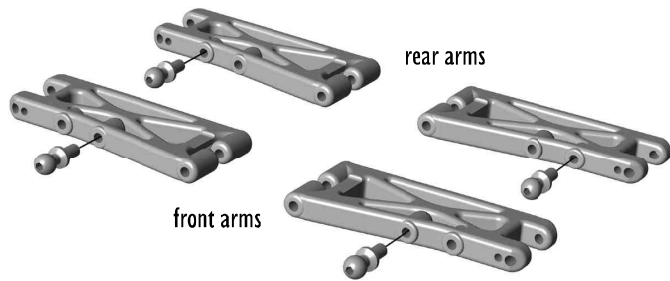


front

▶ Bag D - Step 1

21082, qty 4
ballstud, 5mm

21008, qty 4
suspension arm

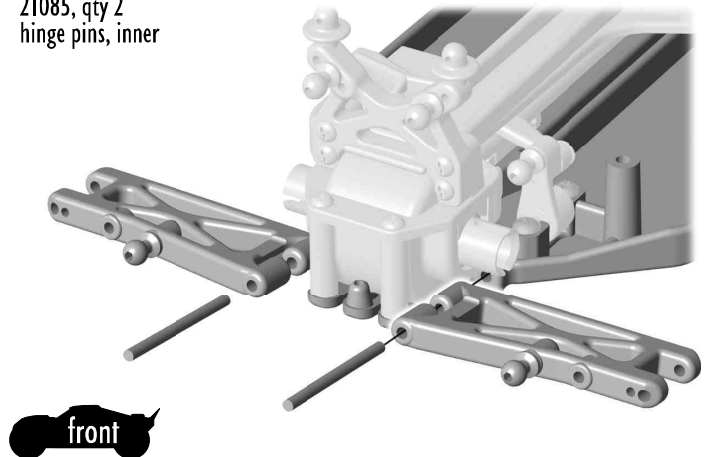


front arms

rear arms

▶ Step 2

21085, qty 2
hinge pins, inner



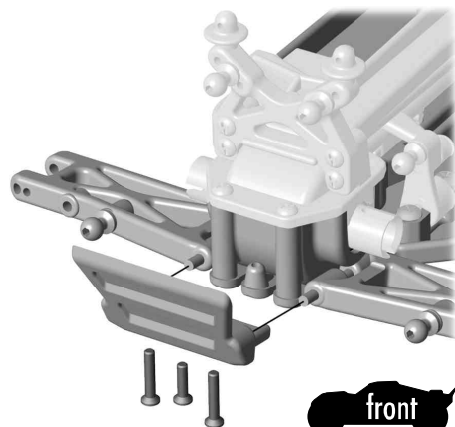
front

▶ Step 3

21005, qty 1
front bumper/arm
mount

21135, qty 2
M2 x 12 fhps

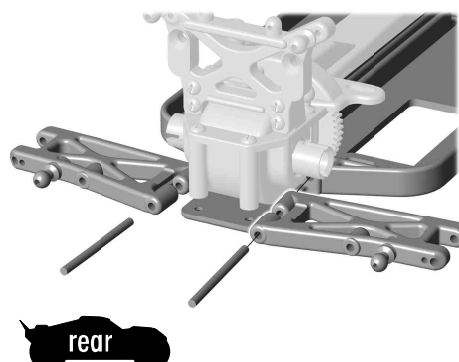
25196, qty 1
M2 x 8 fhps



front

▶ Step 4

21085, qty 2
hinge pins, inner

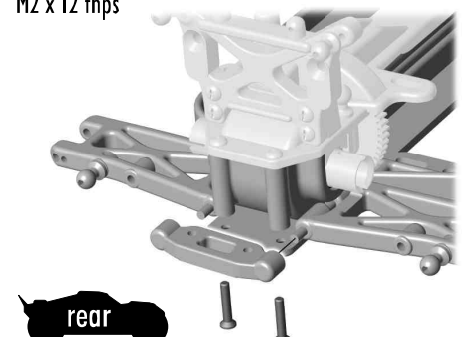
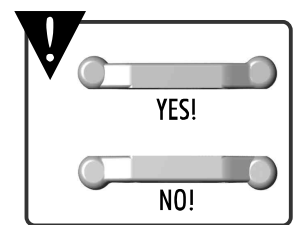


rear

▶ Step 5

21005, qty 1
rear arm mount

21135, qty 2
M2 x 12 fhps

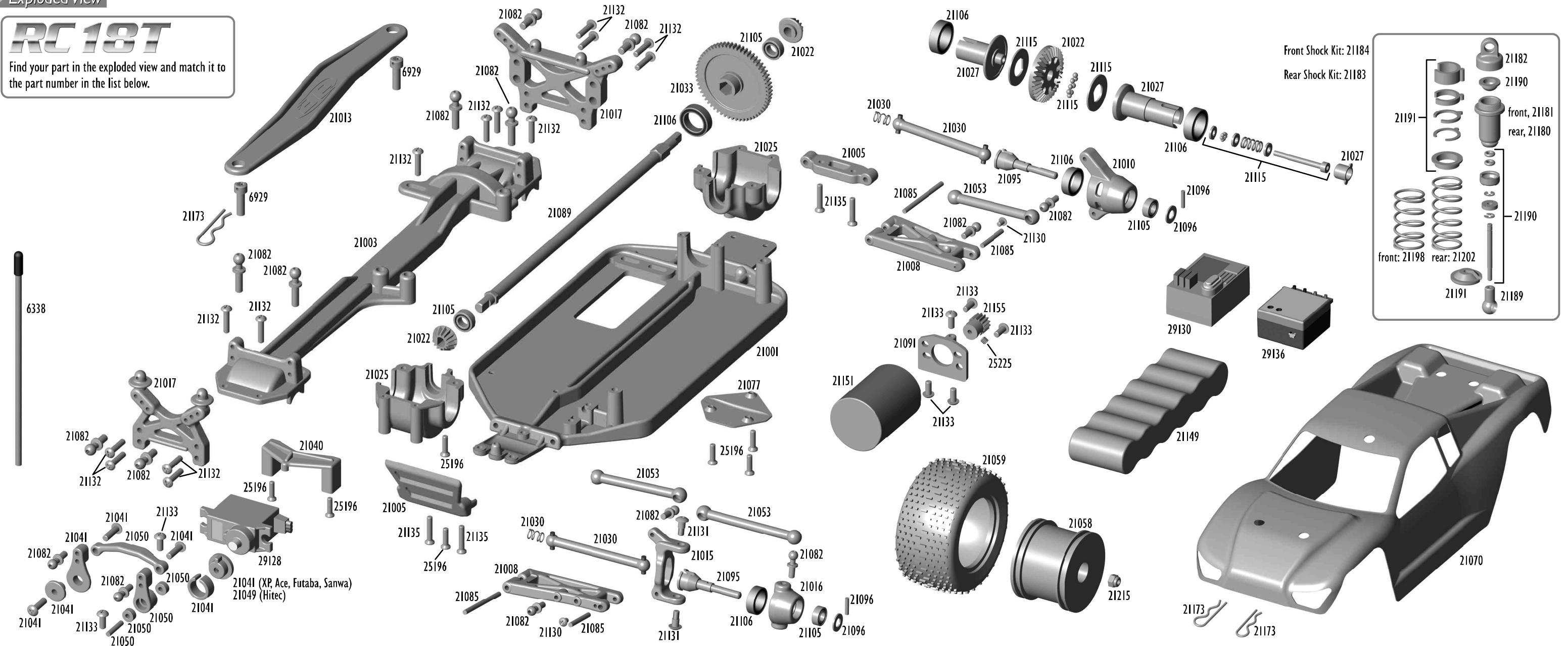


rear

► Exploded View

RC18T

Find your part in the exploded view and match it to the part number in the list below.



► Parts List

6338	Antenna Tube & Cap	1	2.00	21041	I8T Servo Saver, XP, Ace, Futaba, Sanwa	Set	2.99	21089	I8T Main Driveshaft	1	6.99	21154	Pinion Gear, 13t	1	3.99	21203	I8T Shock Spring, rear, gold, 2.35 lb/in	Pr.	2.50
21001	I8T Chassis	1	6.99	21049	I8T Servo Saver, Hitec HS-56/HS-65	Set	2.99	21091	I8T Motor Mount	1	3.99	21155	Pinion Gear, 14t	1	3.99	21230	I8T MIP CVD Assemblies	Pr.	21.99
21003	I8T Top Plate	1	3.99	21050	I8T Steering Bellcrank Parts	Set	2.99	21095	I8T Stub Axles	2	8.99	21156	Pinion Gear, 15t	1	3.99	21231	I8T MIP CVD Rebuild Kit	1	3.99
21005	I8T Arm Mount, front & rear	Set	2.99	21052	I8T Turnbuckle Set, steel, with ballcups	Set	7.99	21096	I8T Stub Axle Pins & Spacers	Set	2.99	21157	Pinion Gear, 11t	1	3.99	25196	M2 x 8 FHPS	20	2.99
21008	I8T Suspension Arm	Pr.	2.99	21053	I8T Suspension Linkage	Set	3.99	21105	I8T Bearing, 4 x 8 x 3	2	4.50	21173	Body Clips	12	1.99	25215	M3 Locknuts	20	2.99
21010	I8T Rear Hub Carrier	2	2.99	21058	I8T White Wheels	Pr.	3.99	21106	I8T Bearing, 8 x 12 x 3.5, rubber sealed	2	4.50	21180	I8T Shock Body, rear	Pr.	2.50	25225	M3 x 3 Set Screws	20	4.50
21013	I8T Battery Brace, 4 cell, 5/6 cell	Set	3.99	21059	I8T Mini Pin Tires & Inserts	Pr.	9.99	21107	I8T Bearing Set	Set	27.99	21181	I8T Shock Body, front	Pr.	2.50				
21015	I8T Caster Block, left or right	2	2.99	21060	I8T Wheel/Insert/Tire, white, mounted & glued	Pr.	12.99	21115	I8T Differential Rebuild Kit	1	3.99	21182	I8T Shock Caps	4	3.50				
21016	I8T Steering Block	2	2.99	21061	I8T Chrome Wheels	Pr.	5.99	21130	M2 x 3 BHPS	20	2.99	21183	I8T Shock Kit, rear	Pr.	9.99				
21017	I8T Shock Towers, front & rear	Pr.	3.99	21062	I8T Wheel/Insert/Tire, chrome, mounted & glued	Pr.	14.99	21131	M2.5 x 3 BHPS	4	2.50	21184	I8T Shock Kit, front	Pr.	9.99				
21022	I8T Differential & Input Gear	Set	3.99	21069	I8T Body Decal Sheet & Window Mask	Set	3.99	21132	M2 x 9 BHPS	20	2.99	21189	I8T Ball Cup, short, for shocks	12	2.99				
21024	I8T Complete Differential Kit	1	8.99	21070	I8T Body, with decals, blue	1	19.99	21133	M2.5 x 6 BHPS	20	2.99	21190	I8T Shock Rebuild Kit, rebuilds 4 shocks	Set	9.99				
21025	I8T Gearbox Cases	2	4.99	21071	I8T Body, with decals, red	1	19.99	21134	M2.5 x 9 BHPS	20	2.99	21191	I8T Shock Accessories	Set	3.99				
21027	I8T Differential Outdrives, long & short	Set	2.99	21074	I8T Body, with decals & window mask, clear	1	13.99	21135	M2 x 12 FHPS	20	2.99	21197	I8T Shock Spring, front, silver, 2.55 lb/in	Pr.	2.50				
21030	I8T Dogbones & Springs	Set	3.99	21077	I8T Chassis Gear Cover - 55t	1	1.99	21137	M2.5 x 4 BHPS	20	2.99	21198	I8T Shock Spring, front, blue, 3.0 lb/in	Pr.	2.50				
21033	I8T Spur Gear/Drive Cup, 55t	1	2.99	21078	I8T Chassis Gear Cover - 60t	1	1.99	21146	I8T Screw Set	Set	6.99	21199	I8T Shock Spring, front, gold, 3.45 lb/in	Pr.	2.50				
21035	I8T Spur Gear/Drive Cup, 60t	1	2.99	21082	I8T Ball Stud Set	Set	8.99	21152	Pinion Gear, 10t	1	3.99	21201	I8T Shock Spring, rear, silver, 1.64 lb/in	Pr.	2.50				
21040	I8T Servo Mount	1	1.99	21085	I8T Hinge Pin Set	Set	2.99	21153	Pinion Gear, 12t	1	3.99	21202	I8T Shock Spring, rear, blue, 1.90 lb/in	Pr.	2.50				

► Power System Parts

21149	1100mah NiMh 6 Cell Battery Pack	1	24.99
21151	Super 280 Motor	1	9.99
21161	I8T 4 Cell Alkaline Battery Harness	1	3.99
29128	XP C1016 Servo	1	29.99
29129	XP C1016 Servo Gear Set	Set	6.99
29130	XP TR405A Receiver	1	39.99
29136	XPS Micro Speed Control	1	79.99
29137	XPS Speed Control Heatsink, blue	1	3.99
29151	AC 110v 120mah 10 Hour Wall Charger	1	9.99
29152	AC 230v 120mah 10 Hour Wall Charger	1	11.99

► Bag E - Step 1



21015, qty 2
caster block



21082, qty 2
ballstud, 5mm



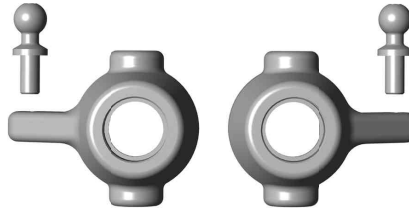
► Step 2



21016, qty 2
steering block



21082, qty 2
ballstud, 5mm



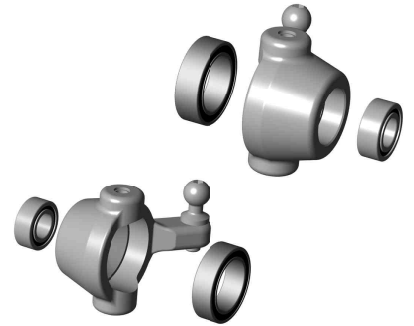
► Step 3



21105, qty 2
4 x 8 x 3 bearing



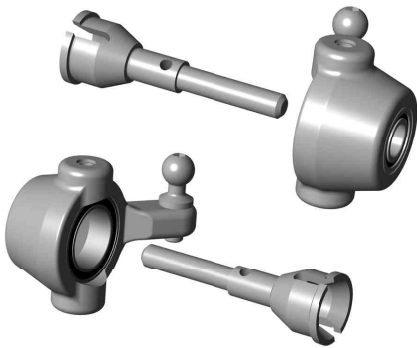
21106, qty 2
8 x 12 x 3.5 bearing



► Step 4



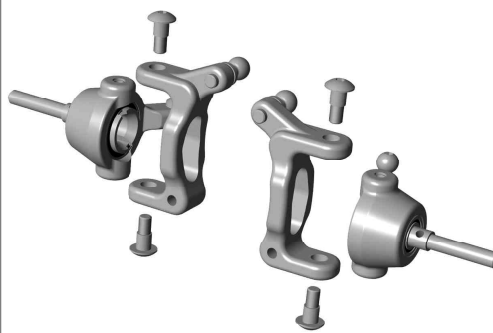
21095, qty 2
stub axle



► Step 5



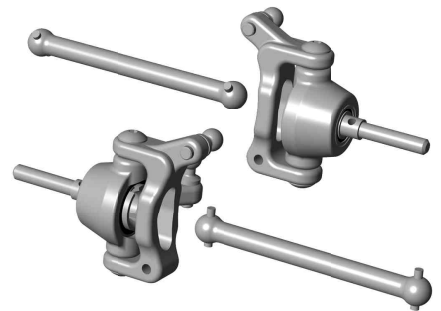
21131, qty 4
M2.5 x 3 bhps (kingpin screw)



► Step 6



21030, qty 2
dogbone



► Step 7



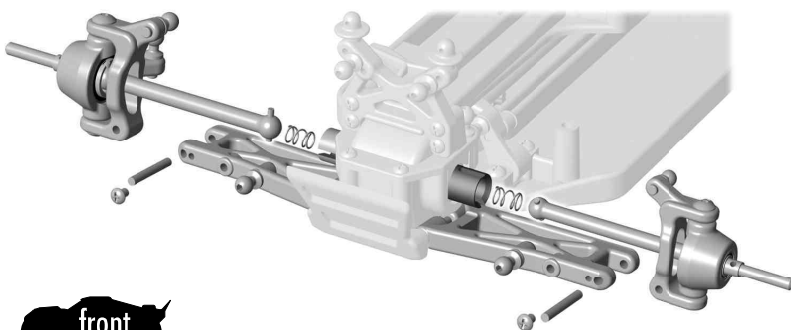
21030, qty 2
dogbone spring



21085, qty 2
hinge pins, outer



21130, qty 2
M2 x 3 bhps

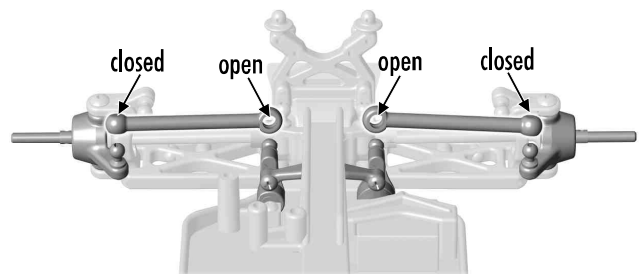


front

► Step 8



21053, qty 2
steering tierod (longest)

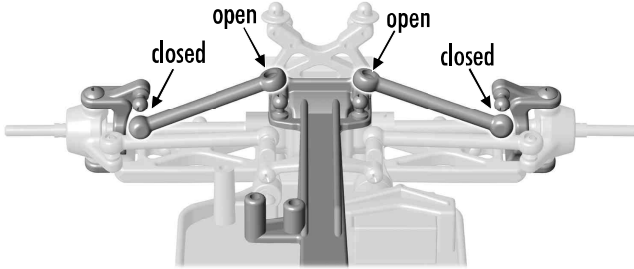


front

▶ Step 9

21053, qty 2
suspension upper tierod (shortest)

! note direction
of ballcup

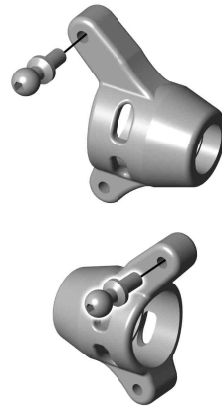


front

▶ Step 10

21010, qty 2
rear hub carrier

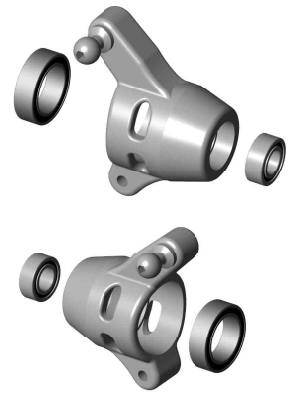
21082, qty 2
ballstud, 5mm



▶ Step 11

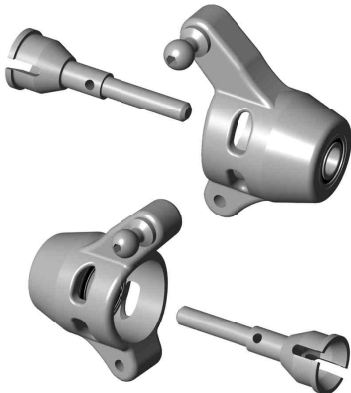
21105, qty 2
4 x 8 x 3 bearing

21106, qty 2
8 x 12 x 3.5 bearing



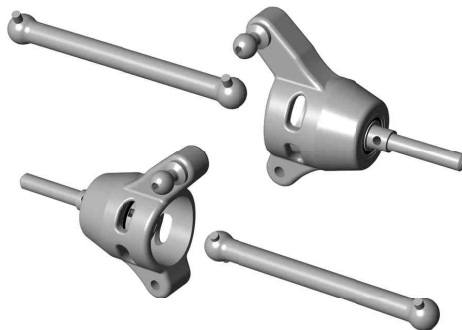
▶ Step 12

21095, qty 2
stub axle



▶ Step 13

21030, qty 2
dogbone



Having Problems?

Associated Electrics, Inc.
3585 Cadillac Ave.
Costa Mesa, CA 92626 USA

Customer Support

Tel: 714.850.9342
Fax: 714.850.1744

Hours: 8:00am - 4:00pm, pst

<http://www.rc10.com>
<http://www.TeamAssociated.com>

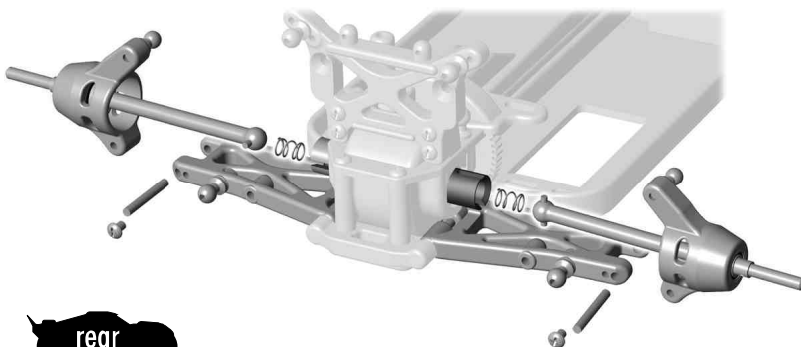


▶ Step 14

21030, qty 2
dogbone spring

21085, qty 2
hinge pins, outer

21130, qty 2
M2 x 3 bhps

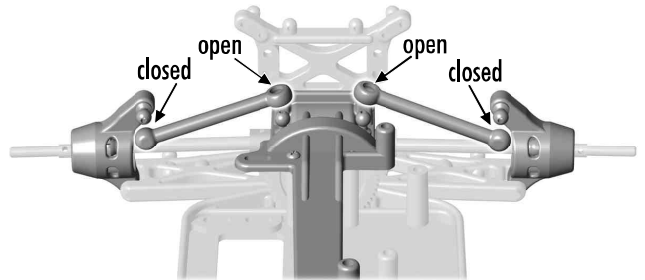


rear

▶ Step 15

21053, qty 2
suspension upper tierod (longest)

! note direction
of ballcup



rear

► Bag F - Step 1



21190, qty 2
e-clip



21190, qty 1
piston



21190, qty 1
front shock shaft (short)



build 2 shocks

► Step 2



21181, qty 1
front shock body (short)



21190, qty 2
o-ring

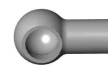


21190, qty 1
shock body seal cap



cap should 'snap' in place

► Step 3



21189, qty 1
ball cup, short



#5422



► Step 4



21190, qty 2
e-clip



21190, qty 1
piston



21190, qty 1
rear shock shaft (long)



build 2 shocks

► Step 5



21180, qty 1
front shock body (long)



21190, qty 2
o-ring

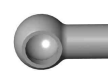


21190, qty 1
shock body seal cap



cap should 'snap' in place

► Step 6



21189, qty 1
ball cup, short

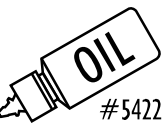


#5422



► Step 7

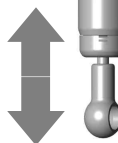
fill to top
with oil



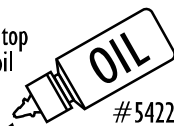
#5422



move shaft up & down
to remove
air bubbles



fill to top
with oil



#5422



install bladder



21190, qty 1
shock bladder

retain oil as you
screw the
cap on



21182, qty 1
shock cap

▶ Step 8



21198, qty 1
front spring, blue, 3.0lb



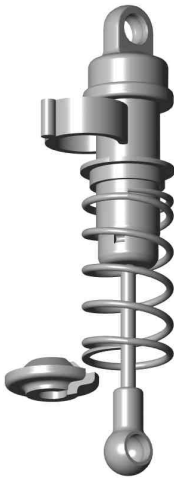
21191, qty 1
upper spring perch



21191, qty 1
lower spring retainer



21191, qty 1
ride height clip, 5mm



front

▶ Step 9



21202, qty 1
rear spring, blue, 1.9lb



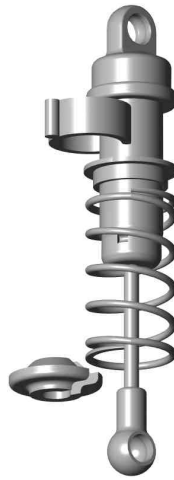
21191, qty 1
upper spring perch



21191, qty 1
lower spring retainer

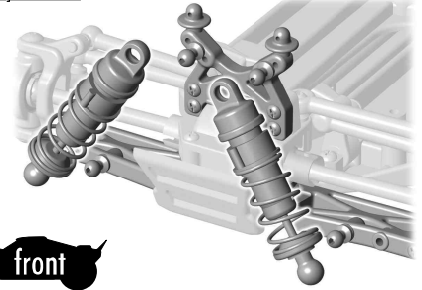


21191, qty 1
ride height clip, 5mm

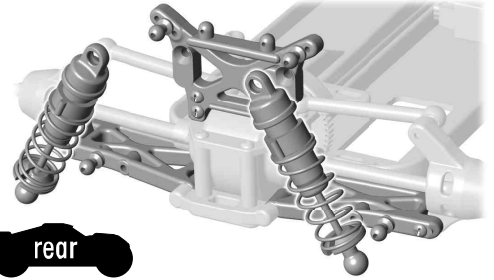


rear

▶ Step 10



front



rear

▶ Bag G - Step 1



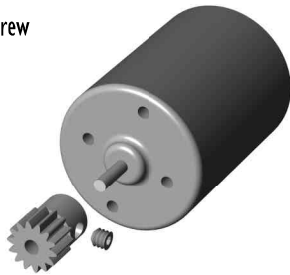
21151, qty 1
super 280 motor



21155, qty 1
14t motor pinion



25225, qty 1
M3 x 3 setscrew



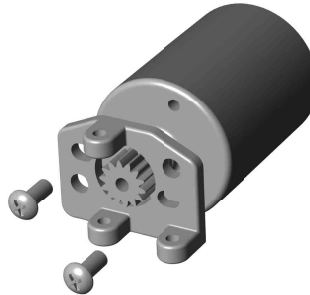
▶ Step 2



21091, qty 1
motor mount



21133, qty 2
M2.5 x 6 bhps

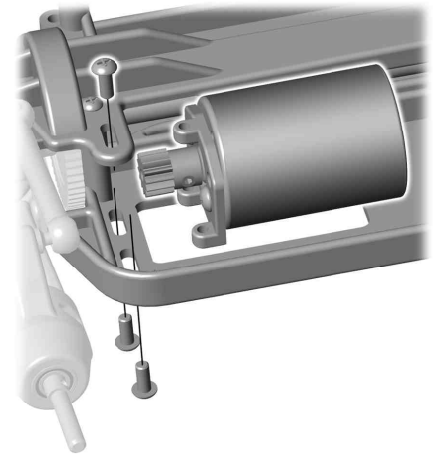


! assemble using holes that best fit your motor

▶ Step 3



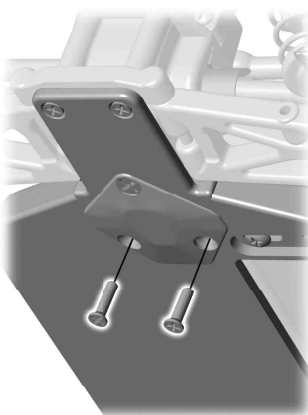
21133, qty 3
M2.5 x 6 bhps



▶ Bag H - Step 1



225196, qty 2
M2 x 8 fhps

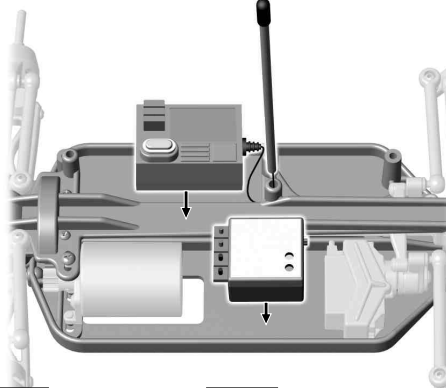


▶ Step 2

6338, qty 1
antenna tube & cap



6727, qty 1
servo tape



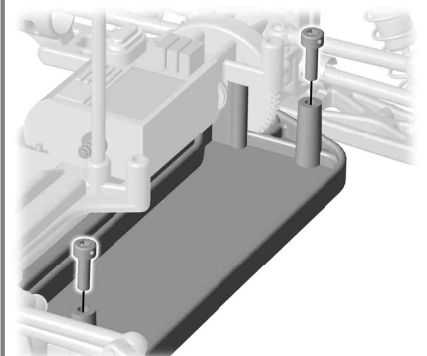
! feed antenna wire as shown

! attach receiver & esc to chassis with servo tape

▶ Step 3

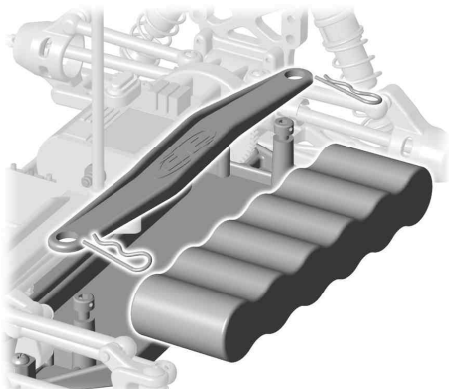


6929, qty 2
4-40 x 3/8" shcs w/hole



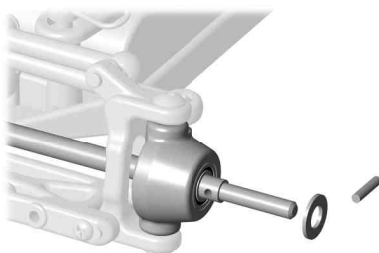
▶ Step 4

- 21013, qty 1
6 cell battery brace
- 21173, qty 2
body clips



▶ Bag 1 - Step 1

- 21096, qty 1
stub axle pin
- 21096, qty 1
stub axle spacer

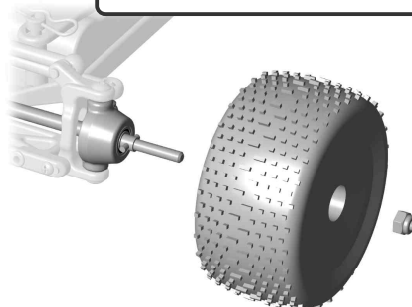
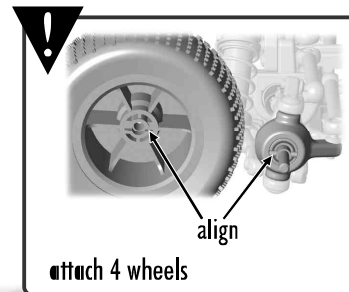


! assemble 4 axles

▶ Step 2

- 21060, qty 1
wheel/tire/insert

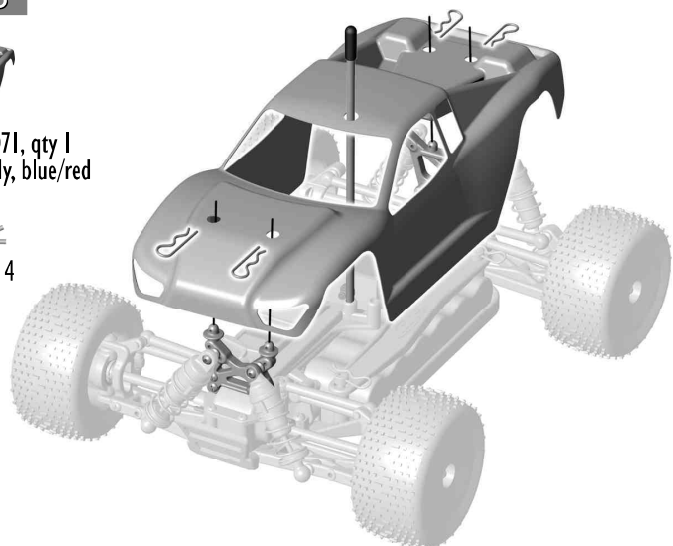
- 25215, qty 1
M3 locknuts



▶ Step 3

- 21070/21071, qty 1
18t RT body, blue/red

- 21173, qty 4
body clips



▶ Factory Team Parts List

21031	FT 18T Aluminum Dogbones, blue	Pr.	8.99	21216	FT 18T Aluminum Threaded Shock Kit, front, blue, w/collars	Pr.	19.99
21055	FT 18T Titanium Turnbuckle Set	Set	29.99	21217	FT 18T Aluminum Threaded Shock Kit, rear, blue, w/collars	Pr.	19.99
21093	FT 18T Aluminum Finned Motor Mount, blue	1	14.99	21230	MIP CVD Assemblies	Pr.	21.99
21116	FT 18T Carbide Diff Balls	8	6.99	25392	FT Aluminum M3 Locknuts, blue	10	7.99
21138	FT 18T Woven Graphite Battery Brace	1	9.99	29137	FT Aluminum XPS ESC Heatsink, blue	1	3.99



21214	FT 18T Aluminum Threaded Shock Body, front, blue, w/collar	Pr.	12.99
21215	FT 18T Aluminum Threaded Shock Body, rear, blue, w/collar	Pr.	12.99

