

ELBJØRN “536” **



BUILDING INSTRUCTION



This model is Copyright protected.
All Copyrights to the designs of this
version of the Elbjørn belongs to
Billing Boats © Denmark Aps

DK

I perioden 1954 - 1996 var M/S Elbjørn en aktiv del af den danske isbryder service. Dens karriere som isbryder sluttede brat den 12. februar, 1996, hvor en DC dynamo eksploderede. Elbjørn kunne sejle i havn ved egen kraft, men det var klart, at dens isbryder dage var forbi.

I dag, er Elbjørn fortøjret på Aalborgs havnefront, hvor skibet opererer som en restaurant og museums skib.

D

Im Zeitraum 1954 - 1996 war M/S Elbjørn ein aktiver Teil der Dänischen Eisbrecher-Service. Die Karriere als Eisbrecher endete abrupt am 12. Februar 1996, als eine DC-Dynamo explodierte. Elbjørn konnte mit eigener Kraft, in den Hafen fahren, aber es war klar, dass seine Eisbrecher Tage vorbei waren.

Heute ist Elbjørn ein Restaurant und Museumsschiff im Hafen bei Aalborg.

GB

In the period 1954 - 1996 M/S Elbjørn was an active part of the Danish icebreaker service. The career as icebreaker ended abruptly on February 12th, 1996, when a DC dynamo exploded. Elbjørn could proceed to port under its own power, but it was clear that its icebreaker days were over.

Today, Elbjørn is at Aalborg's waterfront, where the ship operates as a restaurant and museum ship.

Table contents for "Elbjörn" Art. No. 536

| Pcs. | No. | Dimension | Material | DK | GB | D | F |
|------|-----|--------------|----------|---------------|-----------------|-----------------|-----------------|
| 1 | 1 | 4mm x-veneér | 3333L | Køl | Keel | Kiel | Quille |
| 1 | 2 | 4mm x-veneér | 3334L | Køl | Keel | Kiel | Quille |
| 1 | 3 | 4mm x-veneér | 3334L | Køl | Keel | Kiel | Quille |
| 1 | 4 | 4mm x-veneér | 3334L | Spant | Frame | Spant | Couple |
| 1 | 5 | 4mm x-veneér | 3333L | Spant | Frame | Spant | Couple |
| 1 | 6 | 4mm x-veneér | 3333L | Spant | Frame | Spant | Couple |
| 1 | 7 | 4mm x-veneér | 3334L | Spant | Frame | Spant | Couple |
| 1 | 8 | 4mm x-veneér | 3333L | Spant | Frame | Spant | Couple |
| 1 | 9 | 4mm x-veneér | 3333L | Spant | Frame | Spant | Couple |
| 1 | 10 | 4mm x-veneér | 3333L | Spant | Frame | Spant | Couple |
| 1 | 11 | 4mm x-veneér | 3333L | Spant | Frame | Spant | Couple |
| 1 | 12 | 4mm x-veneér | 3334L | Spant | Frame | Spant | Couple |
| 1 | 13 | 4mm x-veneér | 3334L | Spant | Frame | Spant | Couple |
| 1 | 14 | 4mm x-veneér | 3333L | Spant | Frame | Spant | Couple |
| 1 | 15 | 4mm x-veneér | 3333L | Spant | Frame | Spant | Couple |
| 1 | 16 | 4mm x-veneér | 3334L | Spant | Frame | Spant | Couple |
| 1 | 17 | 4mm x-veneér | 3333L | Spant | Frame | Spant | Couple |
| 2 | 18 | 4mm x-veneér | 3333L | Forstærkning | Strenghtening | Verstärkung | Renfort |
| 2 | 19 | 3mm x-veneér | 3335L | Hjælpeestykke | Auxiliary piece | Hilfsstücke | Pièce annexes |
| 1 | 20 | 5mm x-veneér | 3332L | Konsol, servo | Console, servo | Konsolel, servo | Consolel, servo |
| 2 | 21 | 3mm x-veneér | 3335L | Hjælpeestykke | Auxiliary piece | Hilfsstücke | Pièce annexes |
| 1 | 22 | 2mm x-veneér | 3337L | Dæk | Deck | Deck | Pont |
| 1 | 23 | 2mm x-veneér | 3337L | Skot | Bulhead | Schott | Cloison |
| 1 | 24 | 2mm x-veneér | 3336L | Dæk | Deck | Deck | Pont |
| 1 | 25 | 2mm x-veneér | 3337L | Luge | Hatch | Luken | Ecoutilles |
| 1 | 26 | 2mm x-veneér | 3337L | Luge | Hatch | Luken | Ecoutilles |
| 2 | 27 | 4mm x-veneér | 3333L | Hjælpeestykke | Auxiliary piece | Hilfsstücke | Pièce annexes |
| 2 | 28 | 4mm x-veneér | 3334L | Hjælpeestykke | Auxiliary piece | Hilfsstücke | Pièce annexes |
| 1 | 29 | 4mm x-veneér | 3333L | Ror | Rudder | Ruder | Gouvernail |
| 1 | 30 | 2mm x-veneér | 3336L | Styrhus | Cabin | Steuerhaus | Cabine |
| 2 | 31 | 2mm x-veneér | 3336L | Styrhus | Cabin | Steuerhaus | Cabine |
| 2 | 32 | 2mm x-veneér | 3337L | Styrhus | Cabin | Steuerhaus | Cabine |
| 2 | 33 | 2mm x-veneér | 3336L | Styrhus | Cabin | Steuerhaus | Cabine |
| 1 | 34 | 2mm x-veneér | 3336L | Styrhus | Cabin | Steuerhaus | Cabine |

| | | | | | | | |
|---|----|--------------|-------|-------------------|----------------|-----------------|--------------------|
| 1 | 35 | 2mm x-veneér | 3337L | Styrhus | Cabin | Steuerhaus | Cabine |
| 1 | 36 | 1mm x-veneér | 3338L | Styrhus | Cabin | Steuerhaus | Cabine |
| 2 | 37 | 1mm x-veneér | 3338L | Styrhus | Cabin | Steuerhaus | Cabine |
| 2 | 38 | 1mm x-veneér | 3338L | Styrhus | Cabin | Steuerhaus | Cabine |
| 2 | 39 | 1mm x-veneér | 3338L | Styrhus | Cabin | Steuerhaus | Cabine |
| 1 | 40 | 1mm x-veneér | 3338L | Styrhus | Cabin | Steuerhaus | Cabine |
| 2 | 41 | 2mm x-veneér | 3336L | Maskinhus | Engine house | Maschinenhaus | Maison de moteur |
| 1 | 42 | 2mm x-veneér | 3336L | Maskinhus | Engine house | Maschinenhaus | Maison de moteur |
| 1 | 43 | 2mm x-veneér | 3336L | Maskinhus | Engine house | Maschinenhaus | Maison de moteur |
| 1 | 44 | 2mm x-veneér | 3336L | Maskinhus | Engine house | Maschinenhaus | Maison de moteur |
| 1 | 45 | 2mm x-veneér | 3337L | Maskinhus | Engine house | Maschinenhaus | Maison de moteur |
| 4 | 46 | 5mm x-veneér | 3332L | Maskinhus | Engine house | Maschinenhaus | Maison de moteur |
| 1 | 47 | 2mm x-veneér | 3337L | Maskinhus | Engine house | Maschinenhaus | Maison de moteur |
| 4 | 48 | 1mm x-veneér | 3338L | Maskinhus | Engine house | Maschinenhaus | Maison de moteur |
| 8 | 49 | 1mm x-veneér | 3338L | Dør | Door | Türen | Portes |
| 6 | 50 | 4mm x-veneér | 3334L | Skylight | Skylight | Oberlicht | Claire voie |
| 2 | 51 | 1mm x-veneér | 3338L | Skylight | Skylight | Oberlicht | Claire voie |
| 2 | 52 | 1mm x-veneér | 3338L | Beklædningsliste | Plankingstrips | Beplankung | Baguettes de bordé |
| 2 | 53 | 1mm x-veneér | 3338L | Beklædningsliste | Plankingstrips | Beplankung | Baguettes de bordé |
| 2 | 54 | 1mm x-veneér | 3338L | Beklædningsliste | Plankingstrips | Beplankung | Baguettes de bordé |
| 1 | 55 | 1mm x-veneér | 3338L | Ræling | Rail | Reling | Gouvernail |
| 1 | 56 | 2mm x-veneér | 3336L | Køl | Keel | Kiel | Quille |
| 1 | 57 | 4mm x-veneér | 3333L | Platform | Platform | Plattform | Plateforme |
| 1 | 58 | 4mm x-veneér | 3333L | Luge | Hatch | Luke | Escoutilles |
| 1 | 59 | 5mm x-veneér | 3332L | Luge | Hatch | Luke | Escoutilles |
| 1 | 60 | 1mm x-veneér | 3338L | Luge | Hatch | Luke | Escoutilles |
| 2 | 61 | 5mm x-veneér | 3332L | Luge | Hatch | Luke | Escoutilles |
| 1 | 62 | 1mm x-veneér | 3338L | Luge | Hatch | Luke | Escoutilles |
| 2 | 63 | 1mm x-veneér | 3338L | Styrhus | Cabin | Steuerhaus | Cabine |
| 1 | 64 | 1mm x-veneér | 3338L | Styrhus | Cabin | Steuerhaus | Cabine |
| 2 | 65 | 1mm x-veneér | 3338L | Lejder | Ladder | Leiter | Echelle |
| 2 | 66 | 1mm x-veneér | 3338L | Styrhus | Cabin | Steuerhaus | Cabine |
| 2 | 67 | 1mm x-veneér | 3338L | Pullert-fundament | Bollard base | Pollerunterlage | Bitte d'amarrage |
| 4 | 68 | 1mm x-veneér | 3338L | Pullert-fundament | Bollard base | Pollerunterlage | Bitte d'amarrage |
| 2 | 69 | 1mm x-veneér | 3338L | Pullert-fundament | Bollard base | Pollerunterlage | Bitte d'amarrage |
| 4 | 70 | 1mm x-veneér | 3338L | Pullert | Bollard | Poller | Bitte d'amarrage |

| | | | | | | | |
|----|-----|--------------|-------|--------------|-----------------|-------------|----------------------|
| 1 | 71 | 1mm x-veneér | 3338L | Antenne | Antenna | Antenne | Antenne |
| 1 | 72 | 2mm x-veneér | 3337L | Nedgang | Companion | Niedergang | Couloir |
| 1 | 73 | 4mm x-veneér | 3334L | Nedgang | Companion | Niedergang | Couloir |
| 8 | 74 | 1mm x-veneér | 3338L | Bedding | Slip | Helling | Cale de construction |
| 2 | 75 | 1mm x-veneér | 3338L | Nedgang | Companion | Niedergang | Couloir |
| 2 | 76 | 1mm x-veneér | 3338L | Nedgang | Companion | Niedergang | Couloir |
| 4 | 77 | 5mm x-veneér | 3332L | Nedgang | Companion | Niedergang | Couloir |
| 2 | 78 | 1mm x-veneér | 3338L | Styrhus | Cabin | Steuerhaus | Cabine |
| 2 | 79 | 1mm x-veneér | 3338L | Styrhus | Cabin | Steuerhaus | Cabine |
| 2 | 80 | 1mm x-veneér | 3338L | Dør | Door | Türen | Portes |
| 2 | 81 | 1mm x-veneér | 3338L | Lejder | Ladder | Leiter | Echelle |
| 1 | 82 | 3mm x-veneér | 3335L | Hjælpestykke | Auxiliary piece | Hilfsstücke | Pièce annexes |
| 2 | 83 | 2mm x-veneér | 3336L | Ankerbrønd | Anchor locker | Ankerkasten | Baille à mouillage |
| 2 | 84 | 2mm x-veneér | 3336L | Ankerbrønd | Anchor locker | Ankerkasten | Baille à mouillage |
| 2 | 85 | 2mm x-veneér | 3336L | Ankerbrønd | Anchor locker | Ankerkasten | Baille à mouillage |
| 2 | 86 | 2mm x-veneér | 3336L | Ankerbrønd | Anchor locker | Ankerkasten | Baille à mouillage |
| 4 | 87 | 1mm x-veneér | 3338L | Trappe | Stairs | Treppe | Escalier |
| 28 | 88 | 1mm x-veneér | 3338L | Trappe | Stairs | Treppe | Escalier |
| 1 | 89 | 1mm x-veneér | 3338L | Radar | Radar | Radar | Radar |
| 2 | 90 | 1mm x-veneér | 3338L | Radar | Radar | Radar | Radar |
| 2 | 91 | 4mm x-veneér | 3334L | Radar | Radar | Radar | Radar |
| 2 | 92 | 3mm x-veneér | 3335L | Radar | Radar | Radar | Radar |
| 1 | 93 | 1mm x-veneér | 3338L | Radar | Radar | Radar | Radar |
| 2 | 94 | 2mm x-veneér | 3337L | Ventil | Vent | Lüfter | Manche à air |
| 2 | 95 | 2mm x-veneér | 3337L | Ventil | Vent | Lüfter | Manche à air |
| 1 | 96 | 2mm x-veneér | 3337L | Ventil | Vent | Lüfter | Manche à air |
| 1 | 97 | 2mm x-veneér | 3337L | Ventil | Vent | Lüfter | Manche à air |
| 3 | 98 | 1mm x-veneér | 3338L | Ventil | Vent | Lüfter | Manche à air |
| 1 | 99 | 1mm x-veneér | 3338L | Skot | Bulhead | Schott | Cloison |
| 4 | 100 | 1mm x-veneér | 3338L | Trappe | Stairs | Treppe | Escalier |
| 3 | 101 | 1mm x-veneér | 3338L | Dør | Door | Türen | Portes |
| 2 | 102 | 2mm x-veneér | 3337L | Forstærkning | Strenghtening | Verstärkung | Renfort |
| 2 | 103 | 2mm x-veneér | 3337L | Forstærkning | Strenghtening | Verstärkung | Renfort |
| 1 | 104 | 2mm x-veneér | 3337L | Ankerspil | Anchorwindless | Ankerspill | Guindeau |
| 2 | 105 | 1mm x-veneér | 3338L | Ankerspil | Anchorwindless | Ankerspill | Guindeau |
| 1 | 106 | 4mm x-veneér | 3334L | Ankerspil | Anchorwindless | Ankerspill | Guindeau |

| | | | | | | | |
|----|-----|--------------|-------|--------------|----------------|-------------|------------------|
| 2 | 107 | 1mm x-veneér | 3338L | Styrhus | Cabin | Steuerhaus | Cabine |
| 4 | 108 | 2mm x-veneér | 3336L | Styrhus | Cabin | Steuerhaus | Cabine |
| 2 | 109 | 1mm x-veneér | 3338L | Styrhus | Cabin | Steuerhaus | Cabine |
| 12 | 110 | 2mm x-veneér | 3337L | Forstærkning | Strenghtening | Verstärkung | Renfort |
| 2 | 111 | 1mm x-veneér | 3338L | Ræling | Rail | Reling | Gouvernail |
| 1 | 112 | 4mm x-veneér | 3334L | Ankerspil | Anchorwindless | Ankerspill | Guindeau |
| 14 | 113 | 2mm x-veneér | 3336L | Konsol | Console | Konsole | Console |
| 2 | 114 | 1mm x-veneér | 3338L | Konsol | Console | Konsole | Console |
| 2 | 115 | 1mm x-veneér | 3338L | Konsol | Console | Konsole | Console |
| 2 | 116 | 1mm x-veneér | 3338L | Konsol | Console | Konsole | Console |
| 2 | 117 | 1mm x-veneér | 3338L | Konsol | Console | Konsole | Console |
| 2 | 118 | 2mm x-veneér | 3337L | Kasse | Box | Kiste | Caisse |
| 2 | 119 | 1mm x-veneér | 3338L | Kasse | Box | Kiste | Caisse |
| 2 | 120 | 1mm x-veneér | 3338L | Forstærkning | Strenghtening | Verstärkung | Renfort |
| 2 | 121 | 1mm x-veneér | 3338L | Forstærkning | Strenghtening | Verstärkung | Renfort |
| 1 | 122 | 3mm x-veneér | 3335L | Klyds | Fairlead | Klüsen | Ecubiérs |
| 6 | 123 | 1mm x-veneér | 3338L | Håndhjul | Hand-wheel | Sternrad | Poignée |
| 2 | 124 | 1mm x-veneér | 3338L | Lejder | Ladder | Leiter | Echelle |
| 2 | 125 | 3mm x-veneér | 3335L | Kasse | Box | Kiste | Caisse |
| 1 | 126 | 1mm x-veneér | 3338L | Kasse | Box | Kiste | Caisse |
| 2 | 127 | 3mm x-veneér | 3335L | Kasse | Box | Kiste | Caisse |
| 1 | 128 | 1mm x-veneér | 3338L | Kasse | Box | Kiste | Caisse |
| 2 | 129 | 1mm x-veneér | 3338L | Klyds | Fairlead | Klüsen | Ecubiérs |
| 2 | 130 | 3mm x-veneér | 3335L | Ankerspil | Anchorwindless | Ankerspill | Guindeau |
| 4 | 131 | 1mm x-veneér | 3338L | Ankerspil | Anchorwindless | Ankerspill | Guindeau |
| 2 | 132 | 3mm x-veneér | 3335L | Konsol | Console | Konsole | Console |
| 2 | 133 | 2mm x-veneér | 3337L | Forstærkning | Strenghtening | Verstärkung | Renfort |
| 2 | 134 | 2mm x-veneér | 3337L | Forstærkning | Strenghtening | Verstärkung | Renfort |
| 2 | 135 | 2mm x-veneér | 3337L | Forstærkning | Strenghtening | Verstärkung | Renfort |
| 2 | 136 | 2mm x-veneér | 3337L | Forstærkning | Strenghtening | Verstärkung | Renfort |
| 2 | 137 | 2mm x-veneér | 3337L | Forstærkning | Strenghtening | Verstärkung | Renfort |
| 2 | 138 | 2mm x-veneér | 3337L | Forstærkning | Strenghtening | Verstärkung | Renfort |
| 2 | 139 | 1mm x-veneér | 3338L | Pullert | Bollard | Poller | Bitte d'amarrage |
| 2 | 140 | 1mm x-veneér | 3338L | Pullert | Bollard | Poller | Bitte d'amarrage |
| 2 | 141 | 1mm x-veneér | 3338L | Pullert | Bollard | Poller | Bitte d'amarrage |
| 1 | 142 | 1mm x-veneér | 3338L | Sliske | Chute | Rutsche | Chute |

| | | | | | | | |
|----|-----|--------------|-------|--------------|-----------|---------------|-------------------------|
| 6 | 143 | 4mm x-veneér | 3334L | Kabelrulle | Wire reel | Kabeltrommeln | Bobines de câble |
| 12 | 144 | 1mm x-veneér | 3338L | Kabelrulle | Wire reel | Kabeltrommeln | Bobines de câble |
| 12 | 145 | 1mm x-veneér | 3338L | Kabelrulle | Wire reel | Kabeltrommeln | Bobines de câble |
| 3 | 146 | 4mm x-veneér | 3333L | Platform | Platform | Plattform | Plateforme |
| 1 | 147 | 1mm x-veneér | 3338L | Platform | Platform | Plattform | Plateforme |
| 2 | 148 | 1mm x-veneér | 3338L | Lanternebræt | For light | Laternenfuss | Pour feux de navigation |
| 1 | 149 | 1mm x-veneér | 3338L | Lanternebræt | For light | Laternenfuss | Pour feux de navigation |
| 1 | 150 | 1mm x-veneér | 3338L | Lejder | Ladder | Leiter | Echelle |
| 1 | 151 | 2mm x-veneér | 3337L | Konsol | Console | Konsole | Console |
| 1 | 152 | 2mm x-veneér | 3337L | Konsol | Console | Konsole | Console |
| 1 | 153 | 1mm x-veneér | 3338L | Lejder | Ladder | Leiter | Echelle |
| 6 | 154 | 2mm x-veneér | 3337L | Konsol | Console | Konsole | Console |
| 1 | 155 | 1mm x-veneér | 3338L | Lanternebræt | For light | Laternenfuss | Pour feux de navigation |
| 4 | 156 | 5mm x-veneér | 3332L | Kasse | Box | Kiste | Caisse |
| 4 | 157 | 1mm x-veneér | 3338L | Kasse | Box | Kiste | Caisse |
| 1 | 158 | 3mm x-veneér | 3335L | Spil | Winch | Winde | Treuil |
| 2 | 159 | 3mm x-veneér | 3335L | Spil | Winch | Winde | Treuil |
| 1 | 160 | 3mm x-veneér | 3335L | Spil | Winch | Winde | Treuil |
| 1 | 161 | 3mm x-veneér | 3335L | Spil | Winch | Winde | Treuil |
| 1 | 162 | 2mm x-veneér | 3336L | Spil | Winch | Winde | Treuil |
| 1 | 163 | 4mm x-veneér | 3334L | Spil | Winch | Winde | Treuil |
| 2 | 164 | 1mm x-veneér | 3338L | Spil | Winch | Winde | Treuil |
| 3 | 165 | 3mm x-veneér | 3335L | Spil | Winch | Winde | Treuil |
| 1 | 166 | 1mm x-veneér | 3338L | Spil | Winch | Winde | Treuil |
| 2 | 167 | 1mm x-veneér | 3338L | Spil | Winch | Winde | Treuil |
| 1 | 168 | 3mm x-veneér | 3335L | Spil | Winch | Winde | Treuil |
| 1 | 169 | 5mm x-veneér | 3332L | Spil | Winch | Winde | Treuil |
| 1 | 170 | 5mm x-veneér | 3332L | Spil | Winch | Winde | Treuil |
| 1 | 171 | 1mm x-veneér | 3338L | Spil | Winch | Winde | Treuil |
| 1 | 172 | 4mm x-veneér | 3334L | Spil | Winch | Winde | Treuil |
| 1 | 173 | 1mm x-veneér | 3338L | Spil | Winch | Winde | Treuil |
| 1 | 174 | 2mm x-veneér | 3337L | Spil | Winch | Winde | Treuil |
| 1 | 175 | 1mm x-veneér | 3338L | Spil | Winch | Winde | Treuil |
| 1 | 176 | 1mm x-veneér | 3338L | Spil | Winch | Winde | Treuil |
| 1 | 177 | 1mm x-veneér | 3338L | Spil | Winch | Winde | Treuil |
| 1 | 178 | 1mm x-veneér | 3338L | Spil | Winch | Winde | Treuil |

| | | | | | | | |
|---|-----|--------------|-------|----------------|-----------------|----------------|-----------------------|
| 1 | 179 | 1mm x-veneér | 3338L | Spil | Winch | Winde | Treuil |
| 1 | 180 | 1mm x-veneér | 3338L | Spil | Winch | Winde | Treuil |
| 1 | 181 | 1mm x-veneér | 3338L | Spil | Winch | Winde | Treuil |
| 1 | 182 | 2mm x-veneér | 3337L | Spil | Winch | Winde | Treuil |
| 1 | 183 | 2mm x-veneér | 3336L | Dæk | Deck | Deck | Pont |
| 2 | 184 | 2mm x-veneér | 3337L | Styrhus | Cabin | Steuerhaus | Cabine |
| 1 | 185 | 2mm x-veneér | 3336L | Styrhus | Cabin | Steuerhaus | Cabine |
| 1 | 186 | 2mm x-veneér | 3337L | Dæk | Deck | Deck | Pont |
| 2 | 187 | 1mm x-veneér | 3338L | Styrhus | Cabin | Steuerhaus | Cabine |
| 2 | 188 | 2mm x-veneér | 3337L | Styrhus | Cabin | Steuerhaus | Cabine |
| 1 | 189 | 2mm x-veneér | 3337L | Dæk | Deck | Deck | Pont |
| 1 | 190 | 4mm x-veneér | 3334L | Styrhus | Cabin | Steuerhaus | Cabine |
| 1 | 191 | 4mm x-veneér | 3333L | Forstærkning | Strenghtening | Verstärkung | Renfort |
| 1 | 192 | 3mm x-veneér | 3335L | Styrhus | Cabin | Steuerhaus | Cabine |
| 1 | 193 | 4mm x-veneér | 3334L | Skorsten | Funnel | Schornstein | Cheminée |
| 1 | 194 | 4mm x-veneér | 3333L | Skorsten | Funnel | Schornstein | Cheminée |
| 1 | 195 | 4mm x-veneér | 3334L | Skorsten | Funnel | Schornstein | Cheminée |
| 1 | 196 | 4mm x-veneér | 3334L | Skorsten | Funnel | Schornstein | Cheminée |
| 1 | 197 | 1mm x-veneér | 3338L | Skorsten | Funnel | Schornstein | Cheminée |
| 1 | 198 | 1mm x-veneér | 3338L | Skorsten | Funnel | Schornstein | Cheminée |
| 1 | 199 | 2mm x-veneér | 3336L | Konsol | Console | Konsole | Console |
| 1 | 200 | 3mm x-veneér | 3335L | Bundplade | Sole-plate | Bodenplatte | Trolé borde des fonds |
| 2 | 201 | 4mm x-veneér | 3334L | Motorfundament | Engine console | Motorfundament | Moteur console |
| 2 | 202 | 4mm x-veneér | 3333L | Hjælpestykke | Auxiliary piece | Hilfsstücke | Pièce annexes |
| 4 | 203 | 2mm x-veneér | 3336L | Bedding | Slip | Helling | Cale de construction |
| 4 | 204 | 4mm x-veneér | 3334L | David | Davit | Davit | Bossoir |
| 4 | 205 | 1mm x-veneér | 3338L | David | Davit | Davit | Bossoir |
| 4 | 206 | 1mm x-veneér | 3338L | David | Davit | Davit | Bossoir |
| 8 | 207 | 1mm x-veneér | 3338L | David | Davit | Davit | Bossoir |
| 4 | 208 | 2mm x-veneér | 3337L | David | Davit | Davit | Bossoir |
| 1 | 209 | 4mm x-veneér | 3334L | Bedding | Slip | Helling | Cale de construction |
| 1 | 210 | 4mm x-veneér | 3334L | Bedding | Slip | Helling | Cale de construction |
| 1 | 211 | 4mm x-veneér | 3334L | Bedding | Slip | Helling | Cale de construction |
| 1 | 212 | 4mm x-veneér | 3334L | Bedding | Slip | Helling | Cale de construction |
| 4 | 213 | 5mm x-veneér | 3332L | Ring | Ring | Ring | Bague |
| 1 | 214 | 3mm x-veneér | 3335L | Hjælpestykke | Auxiliary piece | Hilfsstücke | Pièce annexes |

| | | | | | | | |
|----|---------|--------------|----------|------------------|----------------|--------------|--------------------|
| 1 | 215 | 5mm x-veneér | 3332L | Spil | Winch | Winde | Treuil |
| 1 | 216 | 1mm x-veneér | 3338L | Ventil | Vent | Lüfter | Manche à air |
| 1 | 217 | 4mm x-veneér | 3334L | Ventil | Vent | Lüfter | Manche à air |
| 1 | 218 | 2mm x-veneér | 3337L | Ventil | Vent | Lüfter | Manche à air |
| 1 | 219 | 2mm x-veneér | 3336L | Spil | Winch | Winde | Treuil |
| 1 | 220 | 3mm x-veneér | 3335L | Spil | Winch | Winde | Treuil |
| 1 | 221 | 3mm x-veneér | 3335L | Spil | Winch | Winde | Treuil |
| 1 | 222 | 3mm x-veneér | 3335L | Spil | Winch | Winde | Treuil |
| 2 | 223 | 3mm x-veneér | 3335L | Spil | Winch | Winde | Treuil |
| 1 | 224 | 3mm x-veneér | 3335L | Spil | Winch | Winde | Treuil |
| 2 | 225 | 0,7x1x450mm | Mahogany | Liste | Strip | Leiste | Baguette |
| 1 | 226 | 0,7x2x300mm | Mahogany | Liste | Strip | Leiste | Baguette |
| 25 | 227 | 0,7x3x550mm | Annegre | Liste | Strip | Leiste | Baguette |
| 1 | 228 | 2x2x550mm | Basswood | Liste | Strip | Leiste | Baguette |
| 2 | 229 | 2x3x550mm | Basswood | Liste | Strip | Leiste | Baguette |
| 38 | 230 | 2x10x550mm | Basswood | Beklædningsliste | Plankingstrips | Beplankung | Baguettes de bordé |
| 1 | 231 | ø2x130mm | Basswood | Rundstok | Round stick | Rundstab | Baguette ronde |
| 1 | 232 | ø3x120mm | Basswood | Rundstok | Round stick | Rundstab | Baguette ronde |
| 1 | 233 | ø4x400mm | Basswood | Rundstok | Round stick | Rundstab | Baguette ronde |
| 1 | 234 | ø5x365mm | Basswood | Rundstok | Round stick | Rundstab | Baguette ronde |
| 1 | 235 | ø6x160mm | Basswood | Rundstok | Round stick | Rundstab | Baguette ronde |
| 1 | 236 | ø8x200mm | Basswood | Rundstok | Round stick | Rundstab | Baguette ronde |
| 1 | 237 | 100x100mm | White | Presenning | Tarpaulin | Presenning | Bâche |
| 1 | B2-57 | ø5x11mm | Brass | Motor | Engine | Motor | Moteur |
| 1 | B2-153 | ø9x17,5mm | Brass | Motor | Engine | Motor | Moteur |
| 1 | B2-154 | ø6x13mm | Brass | Motor | Engine | Motor | Moteur |
| 1 | F 22a | ø0,5x2500mm | Copper | Kobbertråd | Copperthread | Kupferdraht | Fils de cuivre |
| 2 | F 37 | 28x15x7mm | Plastic | Anker | Anchor | Anker | Ancre |
| 2 | F 37-1 | 3x5x34mm | Plastic | Ankerstok | Stock | Stock | Jas |
| 4 | F 39 | ø1x250mm | Brass | Messingtråd | Brasswire | Messingdraht | Fils de laiton |
| 1 | F 39-10 | Ø1x100mm | Brass | Messingtråd | Brasswire | Messingdraht | Fils de laiton |
| 2 | F 41 | 12mm | Plastic | Klyds | Open chock | Klüssen | Ecubiérs |
| 1 | F 52 | ø9mm | Plastic | Kompas | Compass | Kompas | Compass |
| 1 | F 59-1 | 20mm | Wood | Kompas | Compass | Kompas | Compass |
| 2 | F 62 | ø4mm | Brass | Rulle | Pulley | Rollen | Poulie |
| 1 | F 70 | ø0,3x500mm | | Rigningstråd | Riggingthread | Takelgarn | Fil de greement |

| | | | | | | | |
|----|----------|-------------|---------|----------------|-----------------|------------------|--------------------|
| 1 | F 71 | ø0,5x1000mm | | Rigningstråd | Riggingthread | Takelgarn | Fil de greement |
| 1 | F 73 | ø1,2x500mm | | Rigningstråd | Riggingthread | Takelgarn | Fil de greement |
| 1 | F 76 | 150mm | Brass | Kæde | Chain | Kette | Chaîne |
| 4 | F 100 | ø4mm | Brass | Lanterne | Lights | Lanternen | Feux de navigation |
| 2 | F 101 | ø5x5,5mm | Brass | Projektør | Searchlight | Scheinwerfer | Projecteur |
| 8 | F 136 | 12x12mm | Plastic | Redningsbælte | Lifebelts | Rettungsringe | Bouée |
| 1 | F 160 | ø5x128mm | Brass | Skrueaksel | Propeller shaft | Stevenroller | Abre porte |
| 2 | F 167/1 | 25x95mm | Plastic | Redningsbåd | Life boat | Rettungsboot | Chaloupe ponté |
| 2 | F 167/2 | 88x21mm | Plastic | Redningsbåd | Life boat | Rettungsboot | Chaloupe ponté |
| 1 | F 225 | 11mm | Brass | Lanterne | Lights | Lanternen | Feux de navigation |
| 2 | F 230 | 8mm | Brass | Søm | Brassbrads | Messingnägel | Clou de laiton |
| 1 | F 285 | 5,5mm | Brass | Øjebolte | Eye-bolts | Augenbolzen | Pitons |
| 12 | F 317 | ø4mm | Brass | Køje | Portlights | Bullaugen | Hublot |
| 4 | F 374 | ø4mm | Brass | Rulle | Pulley | Rollen | Poulie |
| 2 | F 378 | ø4mm | Brass | Konisk skive | Conical Disk | Konische Scheibe | Disque conique |
| 1 | F 379 | ø5x1,8mm | Brass | Konisk skive | Conical Disk | Konische Scheibe | Disque conique |
| 1 | F 380 | ø7x2,2mm | Brass | Konisk skive | Conical Disk | Konische Scheibe | Disque conique |
| 2 | F 409 | ø1,5x250mm | Brass | Messingtråd | Brasswire | Messingdraht | Fils de laiton |
| 1 | F 410 | ø2x250mm | Brass | Messingtråd | Brasswire | Messingdraht | Fils de laiton |
| 63 | F 493 | 15mm | Brass | Gelænderstøtte | Railstanchion | Relingsstützen | Chandeliers |
| 1 | F 582 | ø4x84mm | Brass | Rorstamme | Rudder stock | Ruderstamm | Arbre étambot de |
| 6 | F 594 | ø8mm | Brass | Spilkop | Warping end | Spillkopf | Tambour |
| 2 | F 605 | ø8x6mm | Brass | Rulle | Pulley | Rollen | Poulie |
| 12 | F 615 | ø4x7mm | Brass | Pullert | Bollard | Poller | Bitte d'amarrage |
| 7 | F 616 | ø4x4mm | Brass | Lanterne | Lights | Lanternen | Feux de navigation |
| 2 | F 637 | ø8x12mm | Brass | Megafon | Megaphone | Megaphone | Mégaphone |
| 2 | F 645 | ø8x2,5mm | Brass | Tandhjul | Cog wheel | Zahnräder | Roue dentée |
| 2 | F 651 | ø7mm | Plastic | Håndhjul | Hand-wheel | Sternrad | Poignée |
| 1 | F 656 | ø5x210mm | Brass | Skrueaksel | Propeller shaft | Stevenroller | Abre porte |
| 2 | F 661 | ø4mm | Brass | Tandhjul | Cog wheel | Zahnräder | Roue dentée |
| 15 | F 663 | ø0,8x250mm | Brass | Messingtråd | Brasswire | Messingdraht | Fils de laiton |
| 21 | F 664 | ø0,5x11mm | Copper | Øjebolt | Eye bolt | Augenbolzen | Pitons |
| 1 | F 715-10 | ø2x100mm | Brass | Messingrør | Brass pipes | Messingrohr | Tuyaux en laiton |
| 16 | F 893 | ø4x5,5mm | Brass | Ventil | Vent | Lüfter | Manche à air |
| 4 | F 918 | Ø2x2mm | Brass | Ring | Ring | Ring | Bague |
| 4 | F 922 | Ø3x2mm | Brass | Ring | Ring | Ring | Bague |

| | | | | | | | |
|---|----------|-------------|-------|---------------------|----------------------|-----------------|------------------|
| 2 | F 924 | Ø5x2mm | Brass | Ring | Ring | Ring | Bague |
| 4 | F 971 | ø4,4x4,3mm | Brass | Ventil | Vent | Lüfter | Manche à air |
| 2 | F 973 | ø6,5x6,3mm | Brass | Ventil | Vent | Lüfter | Manche à air |
| 2 | F 974 | ø8,5x7,75mm | Brass | Ventil | Vent | Lüfter | Manche à air |
| 1 | F 1008 | ø30mm | Brass | Skrue | Propeller | Schiffsschraube | Hélice |
| 1 | F 1009 | ø50mm | Brass | Skrue | Propeller | Schiffsschraube | Hélice |
| 1 | TR 184 | | | Transfer | Transfer | Abziehbild | Decals |
| 1 | | 200x50mm | | Acetat | Acetate | Azetat | Rhoid |
| 1 | | A4 | | Byggevejledning | Building instruction | Bauanleitung | Instr.de montage |
| 1 | 50-50110 | 700x1000mm | | Hovedtegning Plan 1 | Maindrawing 1 | Zeichnung 1 | Plan 1 |
| 3 | F706 | | | Luge | Hatch | Luke | Escoutilles |

Table contents for "Elbjørn" Art. No. 536

| Pcs. | No. | Dimension | Material | NL | E | I | P |
|------|-----|--------------|----------|-----------------|-----------------|------------------|------------------|
| 1 | 1 | 4mm x-veneér | 3333L | Kiel | Quilla | Chiglia | Quilha |
| 1 | 2 | 4mm x-veneér | 3334L | Kiel | Quilla | Chiglia | Quilha |
| 1 | 3 | 4mm x-veneér | 3334L | Kiel | Quilla | Chiglia | Quilha |
| 1 | 4 | 4mm x-veneér | 3334L | Spant | Cuaderna | Ordinata | Armacao |
| 1 | 5 | 4mm x-veneér | 3333L | Spant | Cuaderna | Ordinata | Armacao |
| 1 | 6 | 4mm x-veneér | 3333L | Spant | Cuaderna | Ordinata | Armacao |
| 1 | 7 | 4mm x-veneér | 3334L | Spant | Cuaderna | Ordinata | Armacao |
| 1 | 8 | 4mm x-veneér | 3333L | Spant | Cuaderna | Ordinata | Armacao |
| 1 | 9 | 4mm x-veneér | 3333L | Spant | Cuaderna | Ordinata | Armacao |
| 1 | 10 | 4mm x-veneér | 3333L | Spant | Cuaderna | Ordinata | Armacao |
| 1 | 11 | 4mm x-veneér | 3333L | Spant | Cuaderna | Ordinata | Armacao |
| 1 | 12 | 4mm x-veneér | 3334L | Spant | Cuaderna | Ordinata | Armacao |
| 1 | 13 | 4mm x-veneér | 3334L | Spant | Cuaderna | Ordinata | Armacao |
| 1 | 14 | 4mm x-veneér | 3333L | Spant | Cuaderna | Ordinata | Armacao |
| 1 | 15 | 4mm x-veneér | 3333L | Spant | Cuaderna | Ordinata | Armacao |
| 1 | 16 | 4mm x-veneér | 3334L | Spant | Cuaderna | Ordinata | Armacao |
| 1 | 17 | 4mm x-veneér | 3333L | Spant | Cuaderna | Ordinata | Armacao |
| 2 | 18 | 4mm x-veneér | 3333L | Versterkenen | Refuerzo | Rinforzo | Reforço |
| 2 | 19 | 3mm x-veneér | 3335L | Vulstukken | Trozo de ayuda | Pezzo ausiliario | Peças auxiliares |
| 1 | 20 | 5mm x-veneér | 3332L | Konsolel, servo | Consolal, servo | Consollel, servo | Consolel, servo |
| 2 | 21 | 3mm x-veneér | 3335L | Vulstukken | Trozo de ayuda | Pezzo ausiliario | Peças auxiliares |
| 1 | 22 | 2mm x-veneér | 3337L | Dek | Cubierta | Ponte | Convés |
| 1 | 23 | 2mm x-veneér | 3337L | Schot | Manparo | Paratia | Parede |

| | | | | | | | |
|---|----|--------------|-------|---------------|----------------------|-------------------|---------------------------|
| 1 | 24 | 2mm x-veneér | 3336L | Dek | Cubierta | Ponte | Convés |
| 1 | 25 | 2mm x-veneér | 3337L | Luiken | Escoutilla | Boccaporto | Escotilha |
| 1 | 26 | 2mm x-veneér | 3337L | Luiken | Escoutilla | Boccaporto | Escotilha |
| 2 | 27 | 4mm x-veneér | 3333L | Vulstukken | Trozo de ayuda | Pezzo ausiliario | Peças auxiliares |
| 2 | 28 | 4mm x-veneér | 3334L | Vulstukken | Trozo de ayuda | Pezzo ausiliario | Peças auxiliares |
| 1 | 29 | 4mm x-veneér | 3333L | Roer | Timón | Timone | Leme |
| 1 | 30 | 2mm x-veneér | 3336L | Stuurhuis | Caseta de navegación | Cabina pilotaggio | Frente da cabine superior |
| 2 | 31 | 2mm x-veneér | 3336L | Stuurhuis | Caseta de navegación | Cabina pilotaggio | Frente da cabine superior |
| 2 | 32 | 2mm x-veneér | 3337L | Stuurhuis | Caseta de navegación | Cabina pilotaggio | Frente da cabine superior |
| 2 | 33 | 2mm x-veneér | 3336L | Stuurhuis | Caseta de navegación | Cabina pilotaggio | Frente da cabine superior |
| 1 | 34 | 2mm x-veneér | 3336L | Stuurhuis | Caseta de navegación | Cabina pilotaggio | Frente da cabine superior |
| 1 | 35 | 2mm x-veneér | 3337L | Stuurhuis | Caseta de navegación | Cabina pilotaggio | Frente da cabine superior |
| 1 | 36 | 1mm x-veneér | 3338L | Stuurhuis | Caseta de navegación | Cabina pilotaggio | Frente da cabine superior |
| 2 | 37 | 1mm x-veneér | 3338L | Stuurhuis | Caseta de navegación | Cabina pilotaggio | Frente da cabine superior |
| 2 | 38 | 1mm x-veneér | 3338L | Stuurhuis | Caseta de navegación | Cabina pilotaggio | Frente da cabine superior |
| 2 | 39 | 1mm x-veneér | 3338L | Stuurhuis | Caseta de navegación | Cabina pilotaggio | Frente da cabine superior |
| 1 | 40 | 1mm x-veneér | 3338L | Stuurhuis | Caseta de navegación | Cabina pilotaggio | Frente da cabine superior |
| 2 | 41 | 2mm x-veneér | 3336L | Loods | Casa de motor | Casa motore | Casa de máquinas |
| 1 | 42 | 2mm x-veneér | 3336L | Loods | Casa de motor | Casa motore | Casa de máquinas |
| 1 | 43 | 2mm x-veneér | 3336L | Loods | Casa de motor | Casa motore | Casa de máquinas |
| 1 | 44 | 2mm x-veneér | 3336L | Loods | Casa de motor | Casa motore | Casa de máquinas |
| 1 | 45 | 2mm x-veneér | 3337L | Loods | Casa de motor | Casa motore | Casa de máquinas |
| 4 | 46 | 5mm x-veneér | 3332L | Loods | Casa de motor | Casa motore | Casa de máquinas |
| 1 | 47 | 2mm x-veneér | 3337L | Loods | Casa de motor | Casa motore | Casa de máquinas |
| 4 | 48 | 1mm x-veneér | 3338L | Loods | Casa de motor | Casa motore | Casa de máquinas |
| 8 | 49 | 1mm x-veneér | 3338L | Deur | Puerta | Portelle | Porta |
| 6 | 50 | 4mm x-veneér | 3334L | Bovenlicht | Lumbrera | Osteriggio | Clarabóia |
| 2 | 51 | 1mm x-veneér | 3338L | Bovenlicht | Lumbrera | Osteriggio | Clarabóia |
| 2 | 52 | 1mm x-veneér | 3338L | Rompbekleding | Listónes de forro | Listelli fasciame | Tiras |
| 2 | 53 | 1mm x-veneér | 3338L | Rompbekleding | Listónes de forro | Listelli fasciame | Tiras |
| 2 | 54 | 1mm x-veneér | 3338L | Rompbekleding | Listónes de forro | Listelli fasciame | Tiras |
| 1 | 55 | 1mm x-veneér | 3338L | Reling | Borda | Parapetto | Amurada |
| 1 | 56 | 2mm x-veneér | 3336L | Kiel | Quilla | Chiglia | Quilha |
| 1 | 57 | 4mm x-veneér | 3333L | Platform | Plataforma | Piattaforma | Plataforma |
| 1 | 58 | 4mm x-veneér | 3333L | Luiken | Escoutilla | Boccaporto | Escotilha |
| 1 | 59 | 5mm x-veneér | 3332L | Luiken | Escoutilla | Boccaporto | Escotilha |

| | | | | | | | |
|----|----|--------------|-------|------------------|------------------------|------------------------|---------------------------|
| 1 | 60 | 1mm x-veneér | 3338L | Luiken | Escoutilla | Boccaporto | Escotilha |
| 2 | 61 | 5mm x-veneér | 3332L | Luiken | Escoutilla | Boccaporto | Escotilha |
| 1 | 62 | 1mm x-veneér | 3338L | Luiken | Escoutilla | Boccaporto | Escotilha |
| 2 | 63 | 1mm x-veneér | 3338L | Stuurhuis | Caseta de navegación | Cabina pilotaggio | Frente da cabine superior |
| 1 | 64 | 1mm x-veneér | 3338L | Stuurhuis | Caseta de navegación | Cabina pilotaggio | Frente da cabine superior |
| 2 | 65 | 1mm x-veneér | 3338L | Ladder | Escala | Scaletta | Escada |
| 2 | 66 | 1mm x-veneér | 3338L | Stuurhuis | Caseta de navegación | Cabina pilotaggio | Frente da cabine superior |
| 2 | 67 | 1mm x-veneér | 3338L | Bolder-fundament | Bitones-placa de fondo | Base del bitta | Poste de amarração/base |
| 4 | 68 | 1mm x-veneér | 3338L | Bolder-fundament | Bitones-placa de fondo | Base del bitta | Poste de amarração/base |
| 2 | 69 | 1mm x-veneér | 3338L | Bolder-fundament | Bitones-placa de fondo | Base del bitta | Poste de amarração/base |
| 4 | 70 | 1mm x-veneér | 3338L | Bolder | Bitón | Bitta | Abita |
| 1 | 71 | 1mm x-veneér | 3338L | Antenne | Antena | Antenna | Antena |
| 1 | 72 | 2mm x-veneér | 3337L | Trapafgang | Bajada | Scaletta di boccaporto | Escotilha de descida |
| 1 | 73 | 4mm x-veneér | 3334L | Trapafgang | Bajada | Scaletta di boccaporto | Escotilha de descida |
| 8 | 74 | 1mm x-veneér | 3338L | Standaard | Grada | Supporto | Pé do Suporte de Casco |
| 2 | 75 | 1mm x-veneér | 3338L | Trapafgang | Bajada | Scaletta di boccaporto | Escotilha de descida |
| 2 | 76 | 1mm x-veneér | 3338L | Trapafgang | Bajada | Scaletta di boccaporto | Escotilha de descida |
| 4 | 77 | 5mm x-veneér | 3332L | Trapafgang | Bajada | Scaletta di boccaporto | Escotilha de descida |
| 2 | 78 | 1mm x-veneér | 3338L | Stuurhuis | Caseta de navegación | Cabina pilotaggio | Frente da cabine superior |
| 2 | 79 | 1mm x-veneér | 3338L | Stuurhuis | Caseta de navegación | Cabina pilotaggio | Frente da cabine superior |
| 2 | 80 | 1mm x-veneér | 3338L | Deur | Puerta | Portelle | Porta |
| 2 | 81 | 1mm x-veneér | 3338L | Ladder | Escala | Scaletta | Escada |
| 1 | 82 | 3mm x-veneér | 3335L | Vulstukken | Trozo de ayuda | Pezzo ausiliario | Peças auxiliares |
| 2 | 83 | 2mm x-veneér | 3336L | Ankerbak | Pozo de ancla | Gavone ancora | Caixa de âncora |
| 2 | 84 | 2mm x-veneér | 3336L | Ankerbak | Pozo de ancla | Gavone ancora | Caixa de âncora |
| 2 | 85 | 2mm x-veneér | 3336L | Ankerbak | Pozo de ancla | Gavone ancora | Caixa de âncora |
| 2 | 86 | 2mm x-veneér | 3336L | Ankerbak | Pozo de ancla | Gavone ancora | Caixa de âncora |
| 4 | 87 | 1mm x-veneér | 3338L | Trap | Escalera | Scala | Escadaria |
| 28 | 88 | 1mm x-veneér | 3338L | Trap | Escalera | Scala | Escadaria |
| 1 | 89 | 1mm x-veneér | 3338L | Radar | Radar | Radar | Radar |
| 2 | 90 | 1mm x-veneér | 3338L | Radar | Radar | Radar | Radar |
| 2 | 91 | 4mm x-veneér | 3334L | Radar | Radar | Radar | Radar |
| 2 | 92 | 3mm x-veneér | 3335L | Radar | Radar | Radar | Radar |
| 1 | 93 | 1mm x-veneér | 3338L | Radar | Radar | Radar | Radar |
| 2 | 94 | 2mm x-veneér | 3337L | Luchtkoker | Válvula | Valvola | Respiradouro |
| 2 | 95 | 2mm x-veneér | 3337L | Luchtkoker | Válvula | Valvola | Respiradouro |

| | | | | | | | |
|----|-----|--------------|-------|--------------|----------------------|--------------------|---------------------------|
| 1 | 96 | 2mm x-veneér | 3337L | Luchtkoker | Válvula | Valvola | Respiradouro |
| 1 | 97 | 2mm x-veneér | 3337L | Luchtkoker | Válvula | Valvola | Respiradouro |
| 3 | 98 | 1mm x-veneér | 3338L | Luchtkoker | Válvula | Valvola | Respiradouro |
| 1 | 99 | 1mm x-veneér | 3338L | Schot | Manparo | Paratia | Parede |
| 4 | 100 | 1mm x-veneér | 3338L | Trap | Escalera | Scala | Escadaria |
| 3 | 101 | 1mm x-veneér | 3338L | Deur | Puerta | Portelle | Porta |
| 2 | 102 | 2mm x-veneér | 3337L | Versterkenen | Refuerzo | Rinforzo | Reforço |
| 2 | 103 | 2mm x-veneér | 3337L | Versterkenen | Refuerzo | Rinforzo | Reforço |
| 1 | 104 | 2mm x-veneér | 3337L | Ankerwinch | Chigre de ancla | Argano dell'ancora | guincho da âncora |
| 2 | 105 | 1mm x-veneér | 3338L | Ankerwinch | Chigre de ancla | Argano dell'ancora | guincho da âncora |
| 1 | 106 | 4mm x-veneér | 3334L | Ankerwinch | Chigre de ancla | Argano dell'ancora | guincho da âncora |
| 2 | 107 | 1mm x-veneér | 3338L | Stuurhuis | Caseta de navegación | Cabina pilotaggio | Frente da cabine superior |
| 4 | 108 | 2mm x-veneér | 3336L | Stuurhuis | Caseta de navegación | Cabina pilotaggio | Frente da cabine superior |
| 2 | 109 | 1mm x-veneér | 3338L | Stuurhuis | Caseta de navegación | Cabina pilotaggio | Frente da cabine superior |
| 12 | 110 | 2mm x-veneér | 3337L | Versterkenen | Refuerzo | Rinforzo | Reforço |
| 2 | 111 | 1mm x-veneér | 3338L | Reling | Borda | Parapetto | Amurada |
| 1 | 112 | 4mm x-veneér | 3334L | Ankerwinch | Chigre de ancla | Argano dell'ancora | guincho da âncora |
| 14 | 113 | 2mm x-veneér | 3336L | Konsole | Consola | Consolle | Console |
| 2 | 114 | 1mm x-veneér | 3338L | Konsole | Consola | Consolle | Console |
| 2 | 115 | 1mm x-veneér | 3338L | Konsole | Consola | Consolle | Console |
| 2 | 116 | 1mm x-veneér | 3338L | Konsole | Consola | Consolle | Console |
| 2 | 117 | 1mm x-veneér | 3338L | Konsole | Consola | Consolle | Console |
| 2 | 118 | 2mm x-veneér | 3337L | Kist | Caja | Cassa | Baú |
| 2 | 119 | 1mm x-veneér | 3338L | Kist | Caja | Cassa | Baú |
| 2 | 120 | 1mm x-veneér | 3338L | Versterkenen | Refuerzo | Rinforzo | Reforço |
| 2 | 121 | 1mm x-veneér | 3338L | Versterkenen | Refuerzo | Rinforzo | Reforço |
| 1 | 122 | 3mm x-veneér | 3335L | Kluisgat | Galápago | Rinforzo | Tubo do escovém |
| 6 | 123 | 1mm x-veneér | 3338L | Hand-weil | Volante | Volante | Volante do timão |
| 2 | 124 | 1mm x-veneér | 3338L | Ladder | Escala | Scaletta | Escada |
| 2 | 125 | 3mm x-veneér | 3335L | Kist | Caja | Cassa | Baú |
| 1 | 126 | 1mm x-veneér | 3338L | Kist | Caja | Cassa | Baú |
| 2 | 127 | 3mm x-veneér | 3335L | Kist | Caja | Cassa | Baú |
| 1 | 128 | 1mm x-veneér | 3338L | Kist | Caja | Cassa | Baú |
| 2 | 129 | 1mm x-veneér | 3338L | Kluisgat | Galápago | Rinforzo | Tubo do escovém |
| 2 | 130 | 3mm x-veneér | 3335L | Ankerwinch | Chigre de ancla | Argano dell'ancora | guincho da âncora |
| 4 | 131 | 1mm x-veneér | 3338L | Ankerwinch | Chigre de ancla | Argano dell'ancora | guincho da âncora |

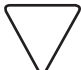
| | | | | | | | |
|----|-----|--------------|-------|-------------------|----------------------|--------------------------|------------------|
| 2 | 132 | 3mm x-veneér | 3335L | Konsole | Consola | Consolle | Console |
| 2 | 133 | 2mm x-veneér | 3337L | Versterkenen | Refuerzo | Rinforzo | Reforço |
| 2 | 134 | 2mm x-veneér | 3337L | Versterkenen | Refuerzo | Rinforzo | Reforço |
| 2 | 135 | 2mm x-veneér | 3337L | Versterkenen | Refuerzo | Rinforzo | Reforço |
| 2 | 136 | 2mm x-veneér | 3337L | Versterkenen | Refuerzo | Rinforzo | Reforço |
| 2 | 137 | 2mm x-veneér | 3337L | Versterkenen | Refuerzo | Rinforzo | Reforço |
| 2 | 138 | 2mm x-veneér | 3337L | Versterkenen | Refuerzo | Rinforzo | Reforço |
| 2 | 139 | 1mm x-veneér | 3338L | Bolder | Bitón | Bitta | Abita |
| 2 | 140 | 1mm x-veneér | 3338L | Bolder | Bitón | Bitta | Abita |
| 2 | 141 | 1mm x-veneér | 3338L | Bolder | Bitón | Bitta | Abita |
| 1 | 142 | 1mm x-veneér | 3338L | Chute | Tolva | Scivolo | Calha |
| 6 | 143 | 4mm x-veneér | 3334L | Kabelhaspels | Carretes de cable | Bobine di cavo | bobinas de cabo |
| 12 | 144 | 1mm x-veneér | 3338L | Kabelhaspels | Carretes de cable | Bobine di cavo | bobinas de cabo |
| 12 | 145 | 1mm x-veneér | 3338L | Kabelhaspels | Carretes de cable | Bobine di cavo | bobinas de cabo |
| 3 | 146 | 4mm x-veneér | 3333L | Platform | Plataforma | Piattaforma | Plataforma |
| 1 | 147 | 1mm x-veneér | 3338L | Platform | Plataforma | Piattaforma | Plataforma |
| 2 | 148 | 1mm x-veneér | 3338L | Voor boordlichten | Pantella de linterna | Per la lanterna di bordo | Luz de navegação |
| 1 | 149 | 1mm x-veneér | 3338L | Voor boordlichten | Pantella de linterna | Per la lanterna di bordo | Luz de navegação |
| 1 | 150 | 1mm x-veneér | 3338L | Ladder | Escala | Scaletta | Escada |
| 1 | 151 | 2mm x-veneér | 3337L | Konsole | Consola | Consolle | Console |
| 1 | 152 | 2mm x-veneér | 3337L | Konsole | Consola | Consolle | Console |
| 1 | 153 | 1mm x-veneér | 3338L | Ladder | Escala | Scaletta | Escada |
| 6 | 154 | 2mm x-veneér | 3337L | Konsole | Consola | Consolle | Console |
| 1 | 155 | 1mm x-veneér | 3338L | Voor boordlichten | Pantella de linterna | Per la lanterna di bordo | Luz de navegação |
| 4 | 156 | 5mm x-veneér | 3332L | Kist | Caja | Cassa | Baú |
| 4 | 157 | 1mm x-veneér | 3338L | Kist | Caja | Cassa | Baú |
| 1 | 158 | 3mm x-veneér | 3335L | Winch | Chigre | Argano | Guincho |
| 2 | 159 | 3mm x-veneér | 3335L | Winch | Chigre | Argano | Guincho |
| 1 | 160 | 3mm x-veneér | 3335L | Winch | Chigre | Argano | Guincho |
| 1 | 161 | 3mm x-veneér | 3335L | Winch | Chigre | Argano | Guincho |
| 1 | 162 | 2mm x-veneér | 3336L | Winch | Chigre | Argano | Guincho |
| 1 | 163 | 4mm x-veneér | 3334L | Winch | Chigre | Argano | Guincho |
| 2 | 164 | 1mm x-veneér | 3338L | Winch | Chigre | Argano | Guincho |
| 3 | 165 | 3mm x-veneér | 3335L | Winch | Chigre | Argano | Guincho |
| 1 | 166 | 1mm x-veneér | 3338L | Winch | Chigre | Argano | Guincho |
| 2 | 167 | 1mm x-veneér | 3338L | Winch | Chigre | Argano | Guincho |


| | | | | | | | |
|---|-----|--------------|-------|---------------|----------------------|-------------------|---------------------------|
| 1 | 168 | 3mm x-veneér | 3335L | Winch | Chigre | Argano | Guincho |
| 1 | 169 | 5mm x-veneér | 3332L | Winch | Chigre | Argano | Guincho |
| 1 | 170 | 5mm x-veneér | 3332L | Winch | Chigre | Argano | Guincho |
| 1 | 171 | 1mm x-veneér | 3338L | Winch | Chigre | Argano | Guincho |
| 1 | 172 | 4mm x-veneér | 3334L | Winch | Chigre | Argano | Guincho |
| 1 | 173 | 1mm x-veneér | 3338L | Winch | Chigre | Argano | Guincho |
| 1 | 174 | 2mm x-veneér | 3337L | Winch | Chigre | Argano | Guincho |
| 1 | 175 | 1mm x-veneér | 3338L | Winch | Chigre | Argano | Guincho |
| 1 | 176 | 1mm x-veneér | 3338L | Winch | Chigre | Argano | Guincho |
| 1 | 177 | 1mm x-veneér | 3338L | Winch | Chigre | Argano | Guincho |
| 1 | 178 | 1mm x-veneér | 3338L | Winch | Chigre | Argano | Guincho |
| 1 | 179 | 1mm x-veneér | 3338L | Winch | Chigre | Argano | Guincho |
| 1 | 180 | 1mm x-veneér | 3338L | Winch | Chigre | Argano | Guincho |
| 1 | 181 | 1mm x-veneér | 3338L | Winch | Chigre | Argano | Guincho |
| 1 | 182 | 2mm x-veneér | 3337L | Winch | Chigre | Argano | Guincho |
| 1 | 183 | 2mm x-veneér | 3336L | Dek | Cubierta | Ponte | Convés |
| 2 | 184 | 2mm x-veneér | 3337L | Stuurhuis | Caseta de navegación | Cabina pilotaggio | Frente da cabine superior |
| 1 | 185 | 2mm x-veneér | 3336L | Stuurhuis | Caseta de navegación | Cabina pilotaggio | Frente da cabine superior |
| 1 | 186 | 2mm x-veneér | 3337L | Dek | Cubierta | Ponte | Convés |
| 2 | 187 | 1mm x-veneér | 3338L | Stuurhuis | Caseta de navegación | Cabina pilotaggio | Frente da cabine superior |
| 2 | 188 | 2mm x-veneér | 3337L | Stuurhuis | Caseta de navegación | Cabina pilotaggio | Frente da cabine superior |
| 1 | 189 | 2mm x-veneér | 3337L | Dek | Cubierta | Ponte | Convés |
| 1 | 190 | 4mm x-veneér | 3334L | Stuurhuis | Caseta de navegación | Cabina pilotaggio | Frente da cabine superior |
| 1 | 191 | 4mm x-veneér | 3333L | Versterkenen | Refuerzo | Rinforzo | Reforço |
| 1 | 192 | 3mm x-veneér | 3335L | Stuurhuis | Caseta de navegación | Cabina pilotaggio | Frente da cabine superior |
| 1 | 193 | 4mm x-veneér | 3334L | Schoorsteen | Chimenea | Camino | Chaminé |
| 1 | 194 | 4mm x-veneér | 3333L | Schoorsteen | Chimenea | Camino | Chaminé |
| 1 | 195 | 4mm x-veneér | 3334L | Schoorsteen | Chimenea | Camino | Chaminé |
| 1 | 196 | 4mm x-veneér | 3334L | Schoorsteen | Chimenea | Camino | Chaminé |
| 1 | 197 | 1mm x-veneér | 3338L | Schoorsteen | Chimenea | Camino | Chaminé |
| 1 | 198 | 1mm x-veneér | 3338L | Schoorsteen | Chimenea | Camino | Chaminé |
| 1 | 199 | 2mm x-veneér | 3336L | Konsole | Consola | Consolle | Console |
| 1 | 200 | 3mm x-veneér | 3335L | Boden-plaat | Placa de fondo | Base per bitta | Caixa da bateria |
| 2 | 201 | 4mm x-veneér | 3334L | Motor console | Soporto de Motor | Base del motore | Console do motor |
| 2 | 202 | 4mm x-veneér | 3333L | Vulstukken | Trozo de ayuda | Pezzo ausiliario | Peças auxiliares |
| 4 | 203 | 2mm x-veneér | 3336L | Standaard | Grada | Supporto | Pé do Suporte de Casco |


| | | | | | | | |
|----|--------|--------------|----------|---------------|-------------------|--------------------|------------------------|
| 4 | 204 | 4mm x-veneér | 3334L | Davit | Pescante | Buttafuori | Serviola |
| 4 | 205 | 1mm x-veneér | 3338L | Davit | Pescante | Buttafuori | Serviola |
| 4 | 206 | 1mm x-veneér | 3338L | Davit | Pescante | Buttafuori | Serviola |
| 8 | 207 | 1mm x-veneér | 3338L | Davit | Pescante | Buttafuori | Serviola |
| 4 | 208 | 2mm x-veneér | 3337L | Davit | Pescante | Buttafuori | Serviola |
| 1 | 209 | 4mm x-veneér | 3334L | Standaard | Grada | Supporto | Pé do Suporte de Casco |
| 1 | 210 | 4mm x-veneér | 3334L | Standaard | Grada | Supporto | Pé do Suporte de Casco |
| 1 | 211 | 4mm x-veneér | 3334L | Standaard | Grada | Supporto | Pé do Suporte de Casco |
| 1 | 212 | 4mm x-veneér | 3334L | Standaard | Grada | Supporto | Pé do Suporte de Casco |
| 4 | 213 | 5mm x-veneér | 3332L | Ring | Argolla | Anello | Anel |
| 1 | 214 | 3mm x-veneér | 3335L | Vulstukken | Trozo de ayuda | Pezzo ausiliario | Peças auxiliares |
| 1 | 215 | 5mm x-veneér | 3332L | Winch | Chigre | Argano | Guincho |
| 1 | 216 | 1mm x-veneér | 3338L | Luchtkoker | Válvula | Valvola | Respiradouro |
| 1 | 217 | 4mm x-veneér | 3334L | Luchtkoker | Válvula | Valvola | Respiradouro |
| 1 | 218 | 2mm x-veneér | 3337L | Luchtkoker | Válvula | Valvola | Respiradouro |
| 1 | 219 | 2mm x-veneér | 3336L | Winch | Chigre | Argano | Guincho |
| 1 | 220 | 3mm x-veneér | 3335L | Winch | Chigre | Argano | Guincho |
| 1 | 221 | 3mm x-veneér | 3335L | Winch | Chigre | Argano | Guincho |
| 1 | 222 | 3mm x-veneér | 3335L | Winch | Chigre | Argano | Guincho |
| 2 | 223 | 3mm x-veneér | 3335L | Winch | Chigre | Argano | Guincho |
| 1 | 224 | 3mm x-veneér | 3335L | Winch | Chigre | Argano | Guincho |
| 2 | 225 | 0,7x1x450mm | Mahogany | Strip | Liston | Listello | Tira |
| 1 | 226 | 0,7x2x300mm | Mahogany | Strip | Liston | Listello | Tira |
| 25 | 227 | 0,7x3x550mm | Annegre | Strip | Liston | Listello | Tira |
| 1 | 228 | 2x2x550mm | Basswood | Strip | Liston | Listello | Tira |
| 2 | 229 | 2x3x550mm | Basswood | Strip | Liston | Listello | Tira |
| 38 | 230 | 2x10x550mm | Basswood | Rompbekleding | Listónes de forro | Listelli fasciame | Tiras |
| 1 | 231 | ø2x130mm | Basswood | Rondhout | Barre reronda | Rondino (listello) | Bastão cilíndrico |
| 1 | 232 | ø3x120mm | Basswood | Rondhout | Barre reronda | Rondino (listello) | Bastão cilíndrico |
| 1 | 233 | ø4x400mm | Basswood | Rondhout | Barre reronda | Rondino (listello) | Bastão cilíndrico |
| 1 | 234 | ø5x365mm | Basswood | Rondhout | Barre reronda | Rondino (listello) | Bastão cilíndrico |
| 1 | 235 | ø6x160mm | Basswood | Rondhout | Barre reronda | Rondino (listello) | Bastão cilíndrico |
| 1 | 236 | ø8x200mm | Basswood | Rondhout | Barre reronda | Rondino (listello) | Bastão cilíndrico |
| 1 | 237 | 100x100mm | White | Dekzeil | Tela impermeable | Tela olona | Lona do bote |
| 1 | B2-57 | ø5x11mm | Brass | Motor | Motor | Motore | Motor |
| 1 | B2-153 | ø9x17,5mm | Brass | Motor | Motor | Motore | Motor |

| | | | | | | | |
|----|---------|-------------|---------|-----------------|-----------------------|-------------------------|-----------------------|
| 1 | B2-154 | ø6x13mm | Brass | Motor | Motor | Motore | Motor |
| 1 | F 22a | ø0,5x2500mm | Copper | Koperdraad | Alambre de cable | Filo in rame | Linha de cobre |
| 2 | F 37 | 28x15x7mm | Plastic | Anker | Ancla | Ancora | Ferro |
| 2 | F 37-1 | 3x5x34mm | Plastic | Stok | Cepo | Ceppo | Ceppo de ferro |
| 4 | F 39 | ø1x250mm | Brass | Messingdraad | Hilo de laton | Filo in ottone | Fio de latão |
| 1 | F 39-10 | Ø1x100mm | Brass | Messingdraad | Hilo de laton | Filo in ottone | Fio de latão |
| 2 | F 41 | 12mm | Plastic | Verhaalklampen | Bocina | Passacavi | Escovéns |
| 1 | F 52 | ø9mm | Plastic | Kompass | Brújula | Bussola | Compasso |
| 1 | F 59-1 | 20mm | Wood | Kompass | Brújula | Bussola | Compasso |
| 2 | F 62 | ø4mm | Brass | Rollen | Rodillos | Pulegge | Polia |
| 1 | F 70 | ø0,3x500mm | | Takelgaren | Hilo de oparejo | Filo per manovre | Linha de cordame |
| 1 | F 71 | ø0,5x1000mm | | Takelgaren | Hilo de oparejo | Filo per manovre | Linha de cordame |
| 1 | F 73 | ø1,2x500mm | | Takelgaren | Hilo de oparejo | Filo per manovre | Linha de cordame |
| 1 | F 76 | 150mm | Brass | Ketting | Cadena | Catena | Corrente |
| 4 | F 100 | ø4mm | Brass | Boordlichten | Linternas | Lanterna di bordo | Luzes |
| 2 | F 101 | ø5x5,5mm | Brass | Schijnwerper | Foco | Proiettore | Holofote |
| 8 | F 136 | 12x12mm | Plastic | Reddingsboei | Cinturones salvavidas | Cintura di salvataggio | Bóia salva-vidas |
| 1 | F 160 | ø5x128mm | Brass | Schroefas | Je de helice | Albero porta-elica | Eixo da hélice |
| 2 | F 167/1 | 25x95mm | Plastic | Reddingsboot | Bote salvavida | Battello di salvataggio | Barco salva-vidas |
| 2 | F 167/2 | 88x21mm | Plastic | Reddingsboot | Bote salvavida | Battello di salvataggio | Barco salva-vidas |
| 1 | F 225 | 11mm | Brass | Boordlichten | Linternas | Lanterna di bordo | Luzes |
| 2 | F 230 | 8mm | Brass | Spijkertjes | Clavo | Chiodi | Pino |
| 1 | F 285 | 5,5mm | Brass | Oogbauten | Pernos de cánamo | Bulloni ad occhio | Pontaletes da amurada |
| 12 | F 317 | ø4mm | Brass | Patrijspoort | Potillas | Oblò | Aro de escotilha |
| 4 | F 374 | ø4mm | Brass | Rollen | Rodillos | Pulegge | Polia |
| 2 | F 378 | ø4mm | Brass | Conische schijf | Disco conico | Disco conico | Disco cônico |
| 1 | F 379 | ø5x1,8mm | Brass | Conische schijf | Disco conico | Disco conico | Disco cônico |
| 1 | F 380 | ø7x2,2mm | Brass | Conische schijf | Disco conico | Disco conico | Disco cônico |
| 2 | F 409 | ø1,5x250mm | Brass | Messingdraad | Hilo de laton | Filo in ottone | Fio de latão |
| 1 | F 410 | ø2x250mm | Brass | Messingdraad | Hilo de laton | Filo in ottone | Fio de latão |
| 63 | F 493 | 15mm | Brass | Railingspalen | Soporte de pasamanos | Supporti per corrimano | Pontaletes da amurada |
| 1 | F 582 | ø4x84mm | Brass | Roerkoning | Tronco del timon | Tronco del timone | Suporte do timão |
| 6 | F 594 | ø8mm | Brass | Spilkop | Tambor de cabrestante | Testa argano | Terminal |
| 2 | F 605 | ø8x6mm | Brass | Rollen | Rodillos | Pulegge | Polia |
| 12 | F 615 | ø4x7mm | Brass | Bolder | Bitón | Bitta | Abita |
| 7 | F 616 | ø4x4mm | Brass | Boordlichten | Linternas | Lanterna di bordo | Luzes |


| | | | | | | | |
|----|----------|-------------|---------|------------------|-------------------|--------------------------|--------------------|
| 2 | F 637 | ø8x12mm | Brass | Megafhone | Megaphone | Megafono | Megafone |
| 2 | F 645 | ø8x2,5mm | Brass | Tandrad | Rueda dentada | Ruota dentata | Roda dentada |
| 2 | F 651 | ø7mm | Plastic | Hand-weil | Volante | Volante | Volante do timão |
| 1 | F 656 | ø5x210mm | Brass | Schroefas | Je de helice | Albero porta-elica | Eixo da hélice |
| 2 | F 661 | ø4mm | Brass | Tandrad | Rueda dentada | Ruota dentata | Roda dentada |
| 15 | F 663 | ø0,8x250mm | Brass | Messingdraad | Hilo de laton | Filo in ottone | Fio de latão |
| 21 | F 664 | ø0,5x11mm | Copper | Oogbauten | Pernos de cáncamo | Bullone ad occhio | Ferrolho |
| 3 | F 706 | | | Luiken | Escotilla | Boccaporto | Escotilha |
| 1 | F 715-10 | ø2x100mm | Brass | Messingbeslag | Tube de laton | Tube in ottone | Tubos de latão |
| 16 | F 893 | ø4x5,5mm | Brass | Luchtkoker | Válvula | Valvola | Respiradouro |
| 4 | F 918 | Ø2x2mm | Brass | Ring | Argolla | Anello | Anel |
| 4 | F 922 | Ø3x2mm | Brass | Ring | Argolla | Anello | Anel |
| 2 | F 924 | Ø5x2mm | Brass | Ring | Argolla | Anello | Anel |
| 4 | F 971 | ø4,4x4,3mm | Brass | Luchtkoker | Válvula | Valvola | Respiradouro |
| 2 | F 973 | ø6,5x6,3mm | Brass | Luchtkoker | Válvula | Valvola | Respiradouro |
| 2 | F 974 | ø8,5x7,75mm | Brass | Luchtkoker | Válvula | Valvola | Respiradouro |
| 1 | F 1008 | ø30mm | Brass | Schroet | Hélice | Elica | Hélice |
| 1 | F 1009 | ø50mm | Brass | Schroet | Hélice | Elica | Hélice |
| 1 | TR 184 | | | Transfer | Transfer | Decalcomanie | Decalcomania |
| 1 | | 200x50mm | | Acetaat | Acetata | Acetato | Acetato |
| 1 | | A4 | | Bauwbeschrijving | Instr. de constr. | Instruzioni di montaggio | Manual de montagem |
| 1 | 50-50110 | 700x1000mm | | Tekening 1 | Ilustración 1 | Piani di costruzione 1 | Planta principal 1 |


Symboler  = Farvenummer

 = Colour No.


 = Farben Nr.

Symboles  = Couleur no.

 = Kleur Nr.

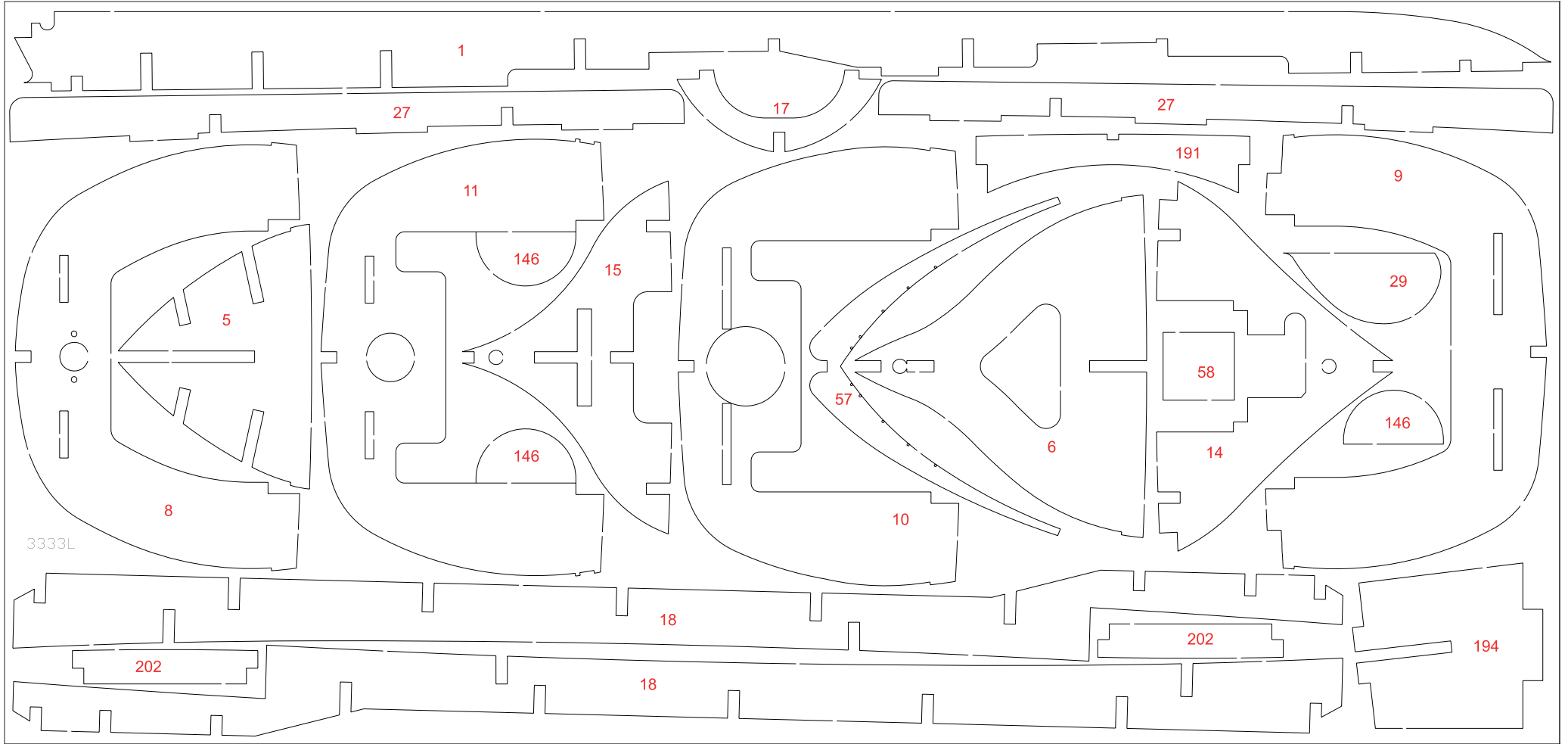
 = Color Nr.

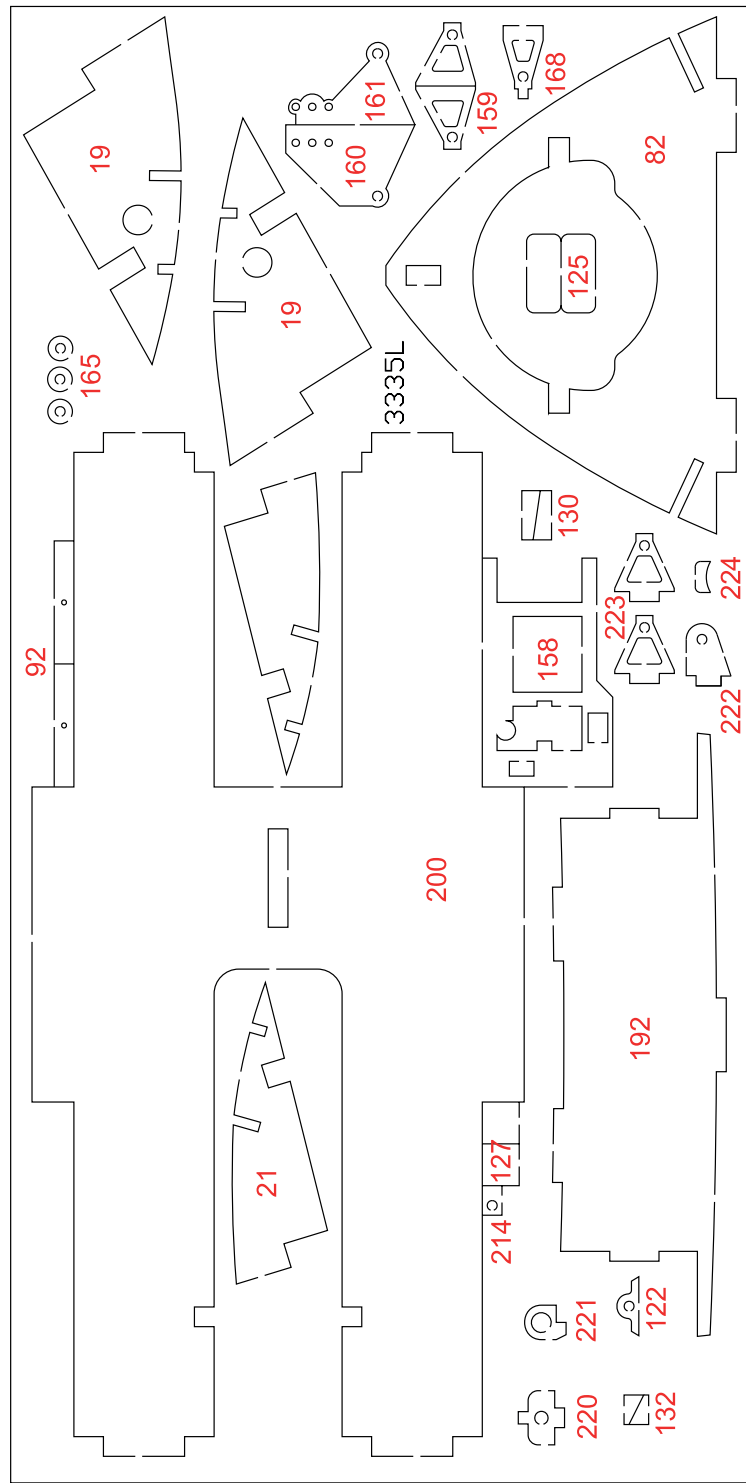
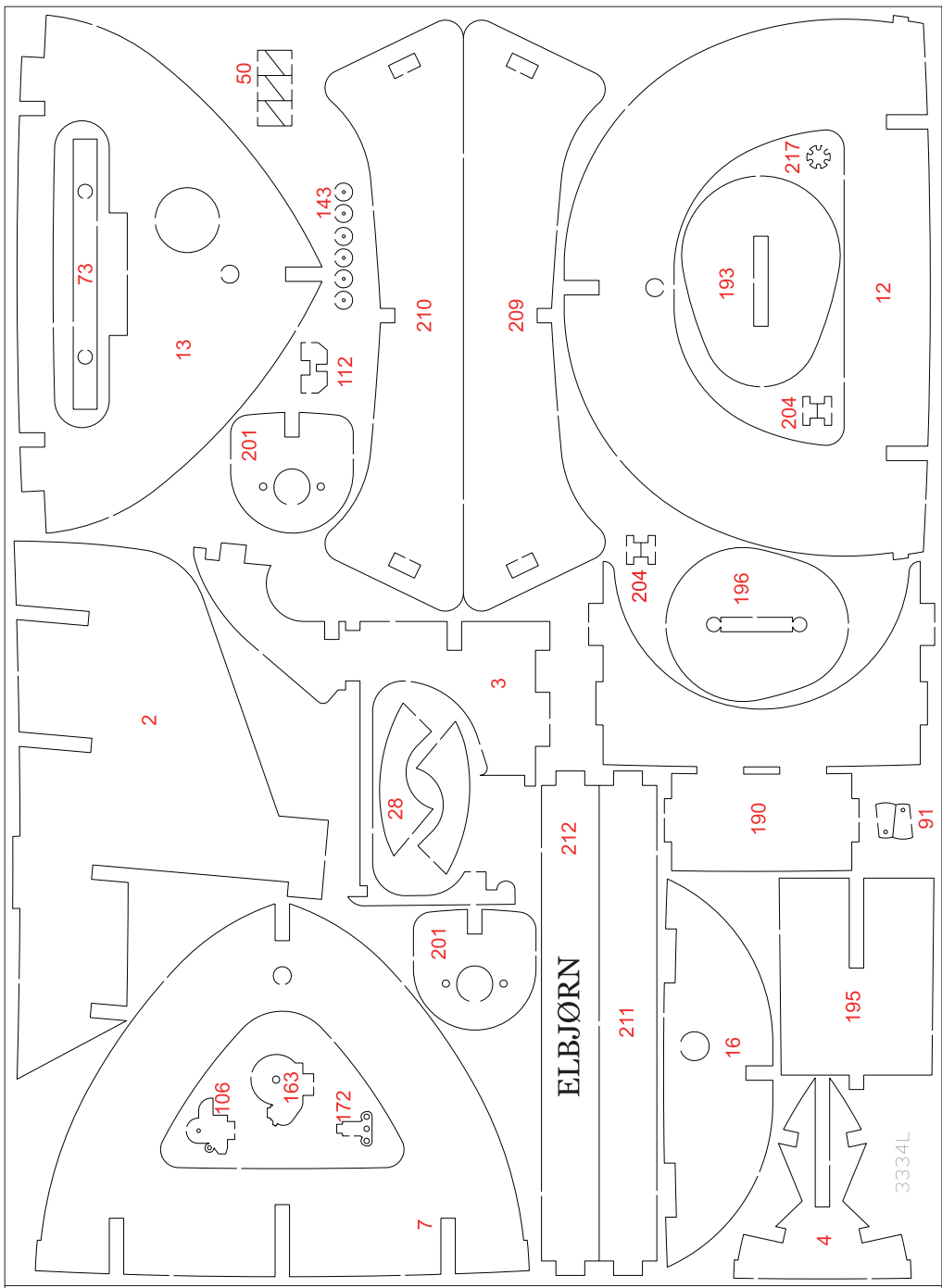
Segno  = Colore N°

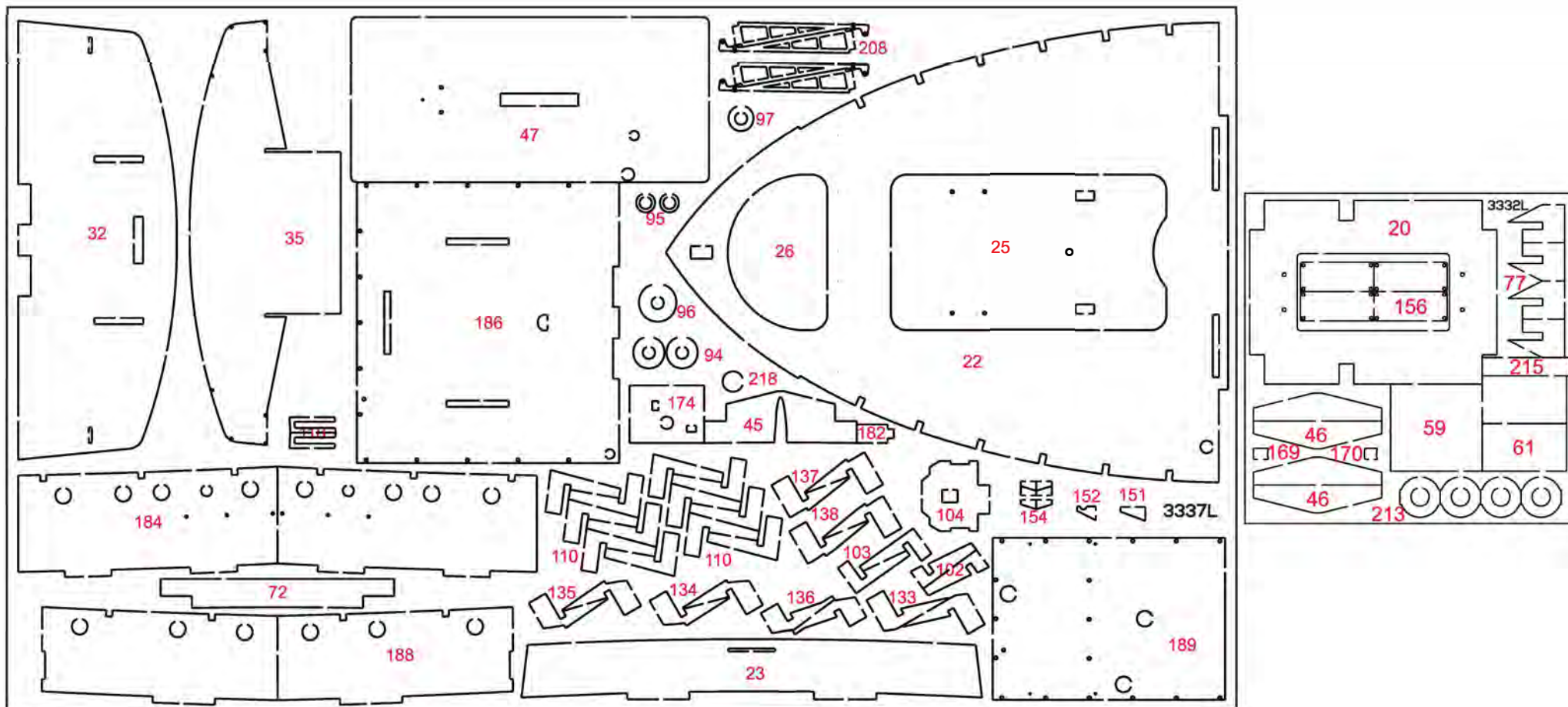
 = Cõr nº

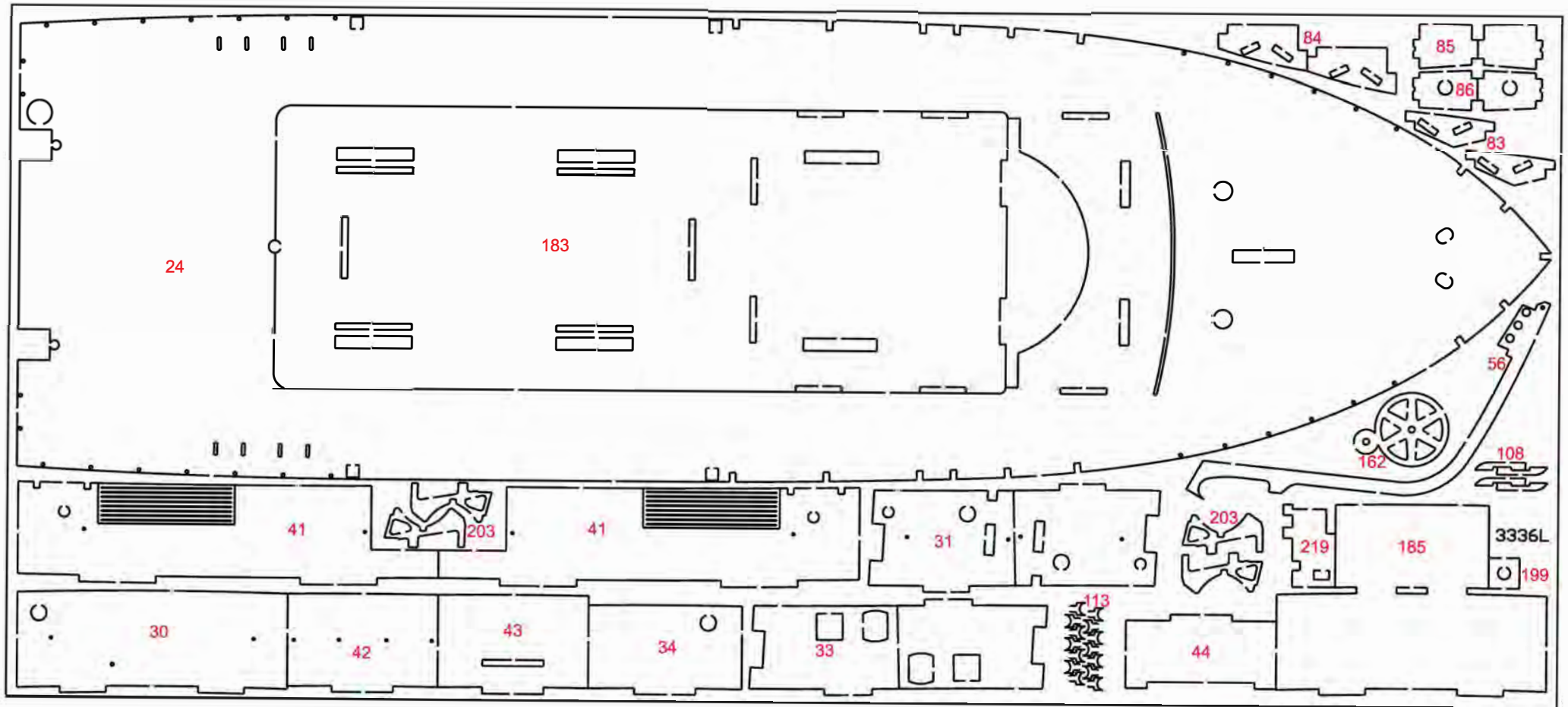
| | | | |
|---------|----|---|---|
| Billing | 3 | = | Emerald |
| Billing | 4 | = | Orange |
| Billing | 5 | = | Tan |
| Billing | 6 | = | Hull Red |
| Billing | 9 | = | Bright red |
| Billing | 10 | = | Matt Lemon |
| Billing | 14 | = | Matt White |
| Billing | 17 | = | Clear Poly |
| Billing | 22 | = | Matt Black |
| Billing | 30 | = | Dark Ad Grey |
| Billing | 36 | = | Bejdse/Stain/Beize/Mordant/Beize/Mordient |

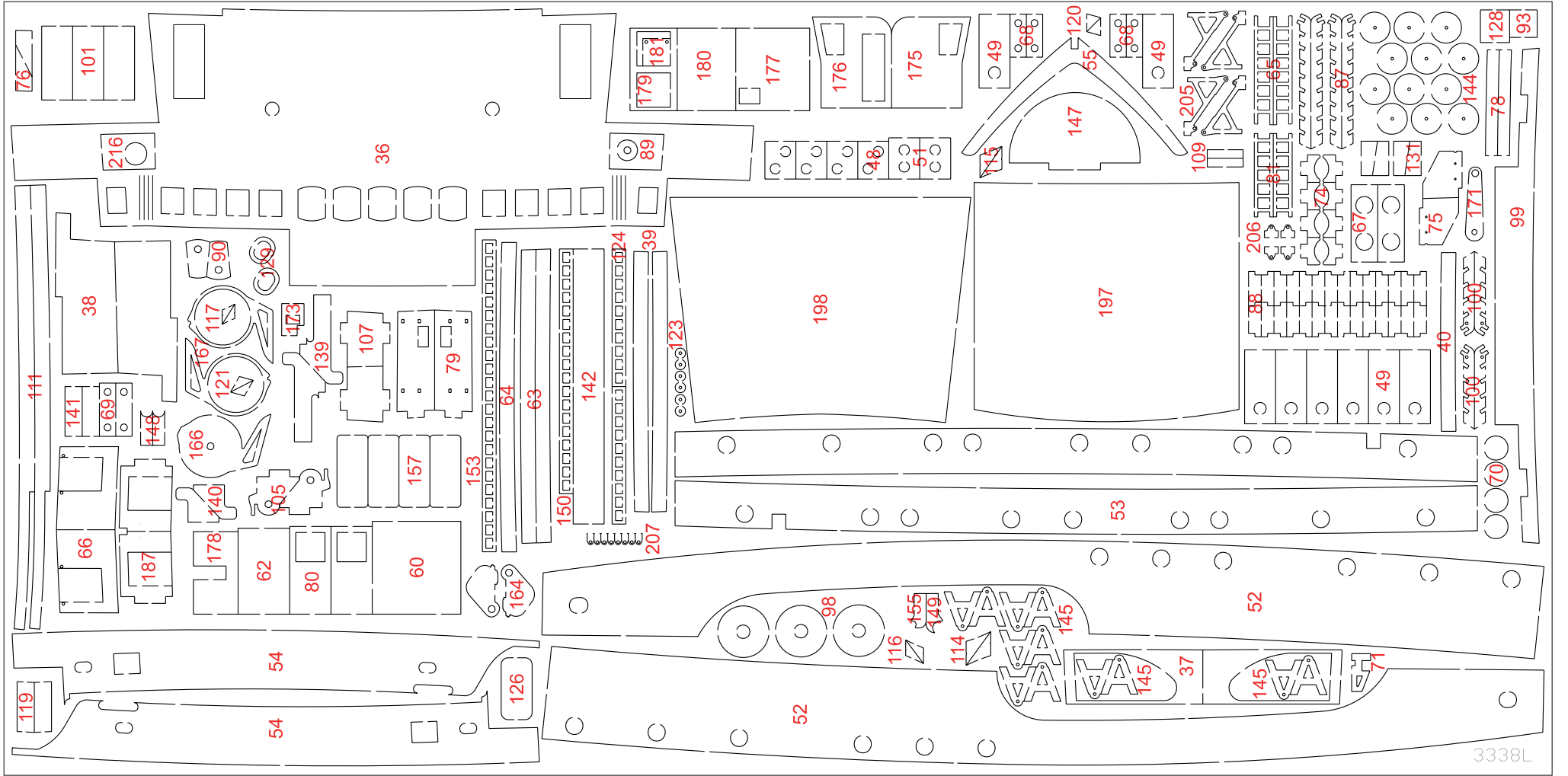
Til denne model er mahogni bejdse og farver med følgende numre nødvendige:
 For this model is mahogany stain and colours with the following numbers should be used:
 Für dieses Modell sind Mahagoni Beize und Farben mit den folgenden Nummern notwendig:
 Pour ce modèle, le mordant et les couleurs avec les numéros suivants doivent être employées:
 Voor dit model zijn kleuren met de volgende nummers nodig:
 Para est modelo se necesitan mordiente et colores con los siguientes números:
 Per questo modello occorrono inchiostro tinteggiatore "mogano" e colori con questi numeri:
 Pinte o modelo com tintura cõr Mogno e as cõres sugeridas da Billing Boats:











3338L

FIG. 1

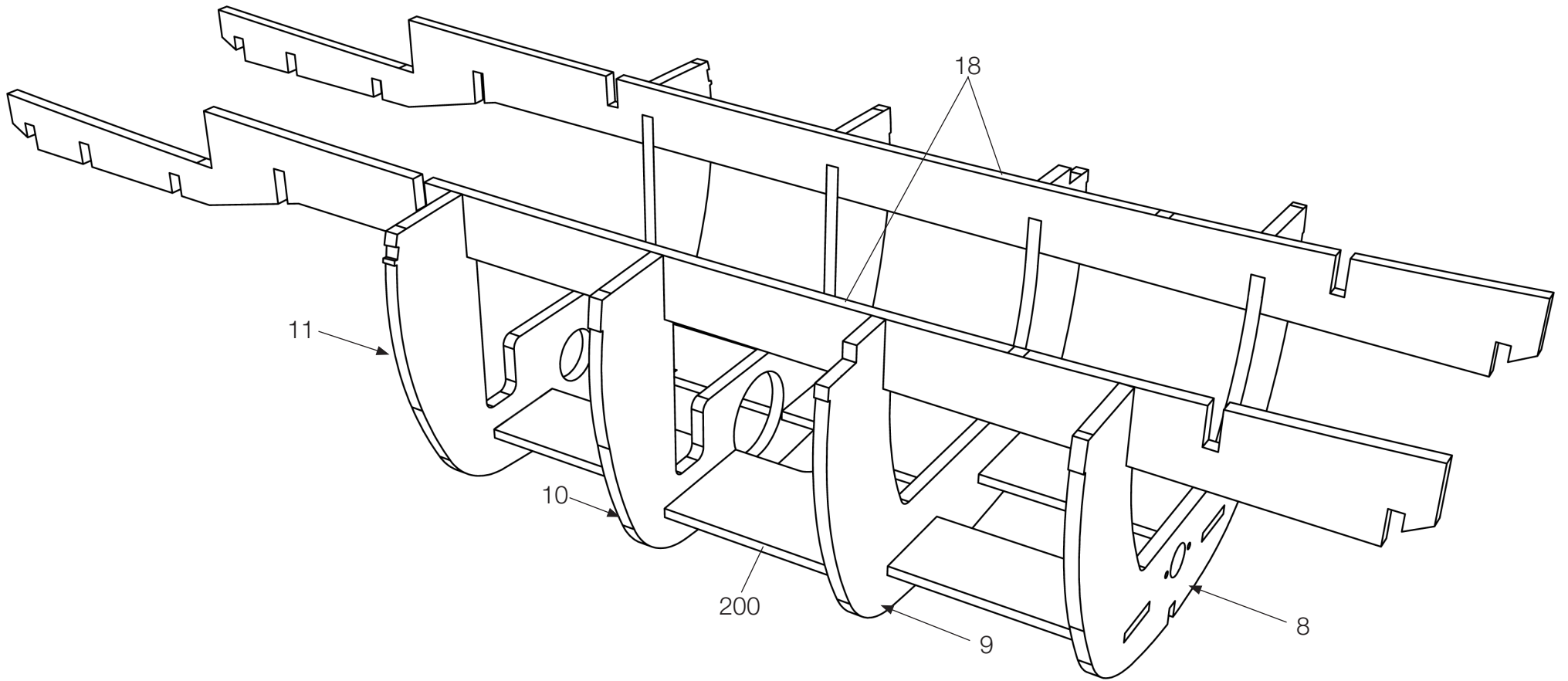
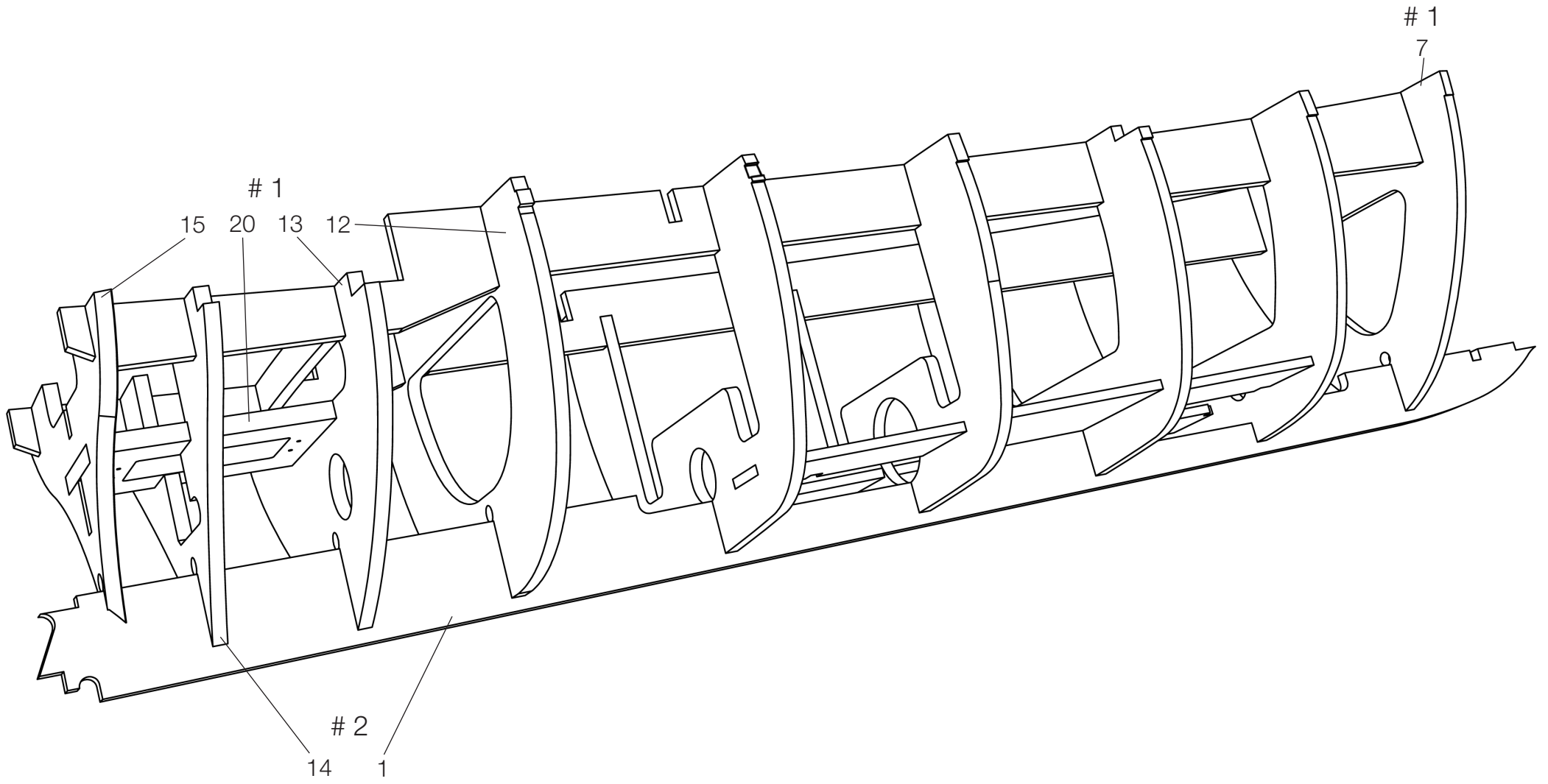


FIG. 2



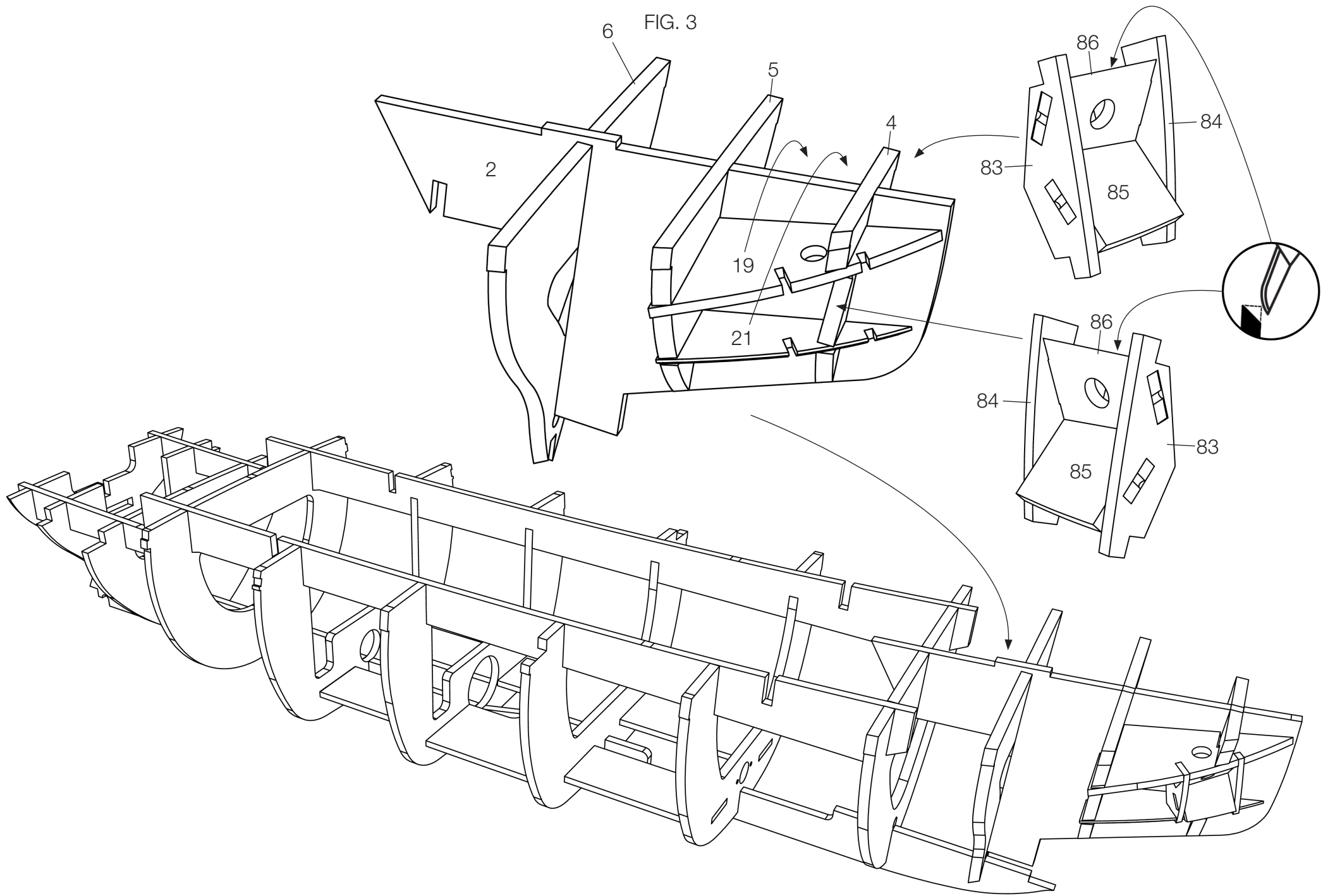


FIG. 4

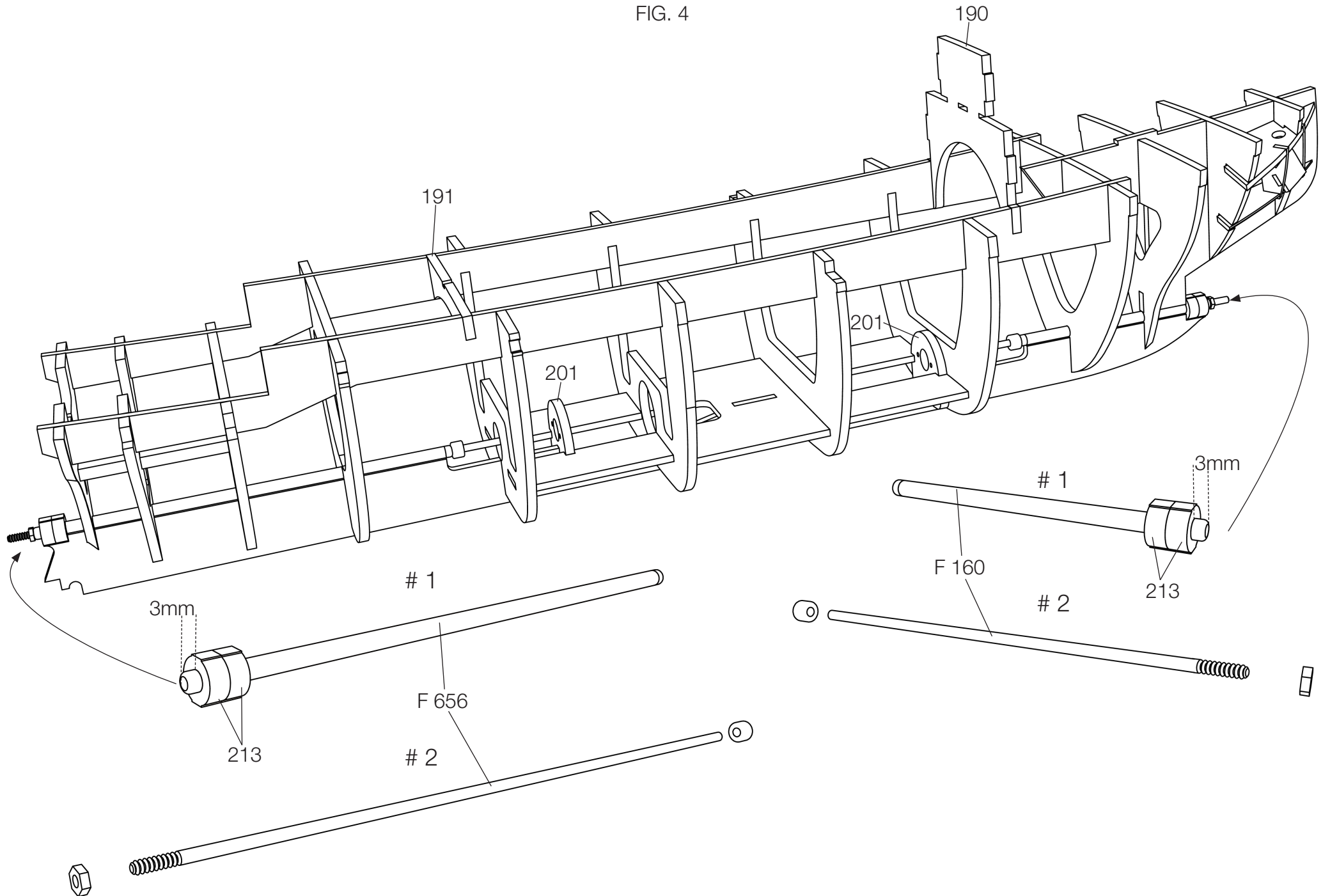


FIG. 5

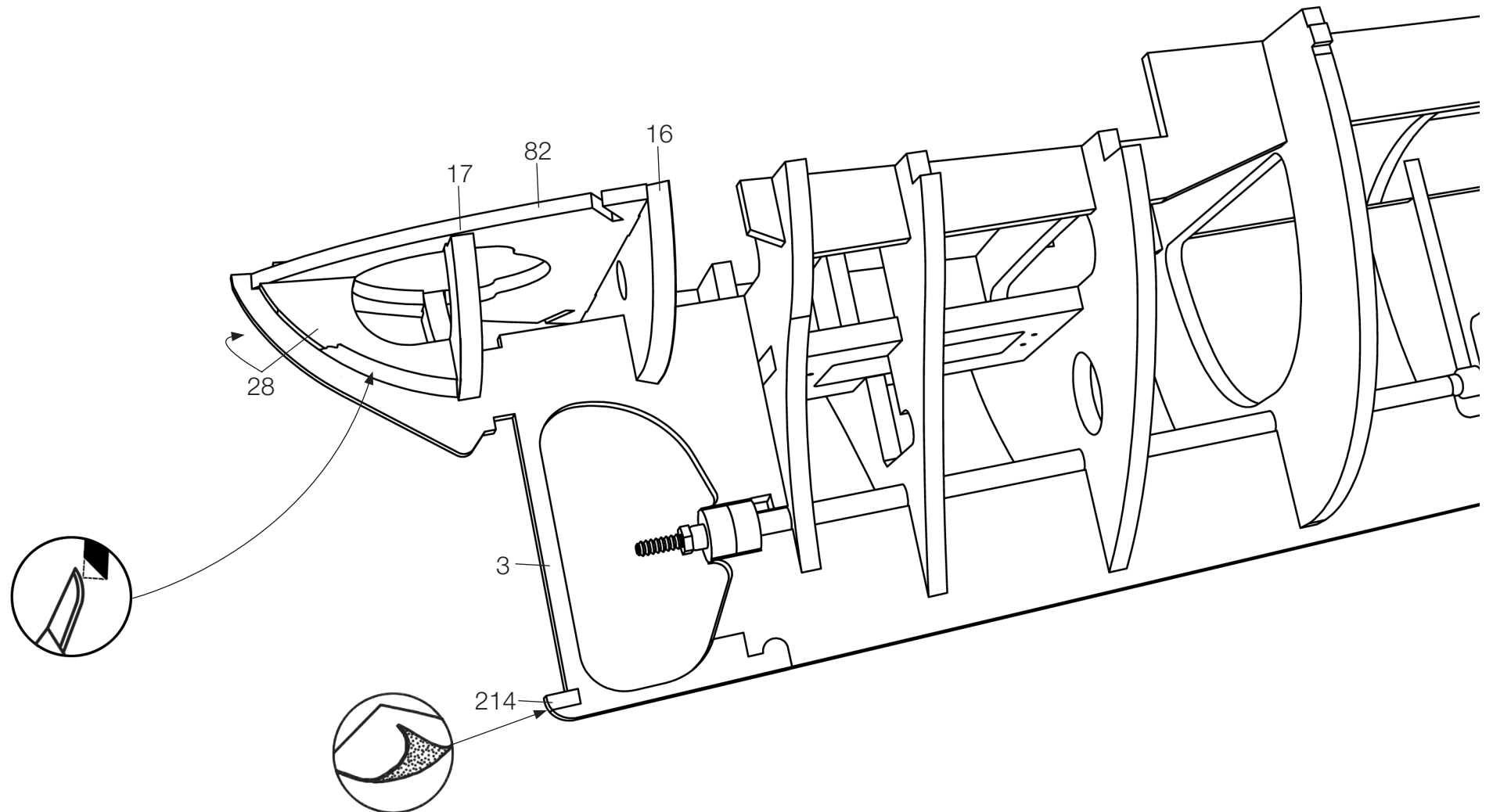
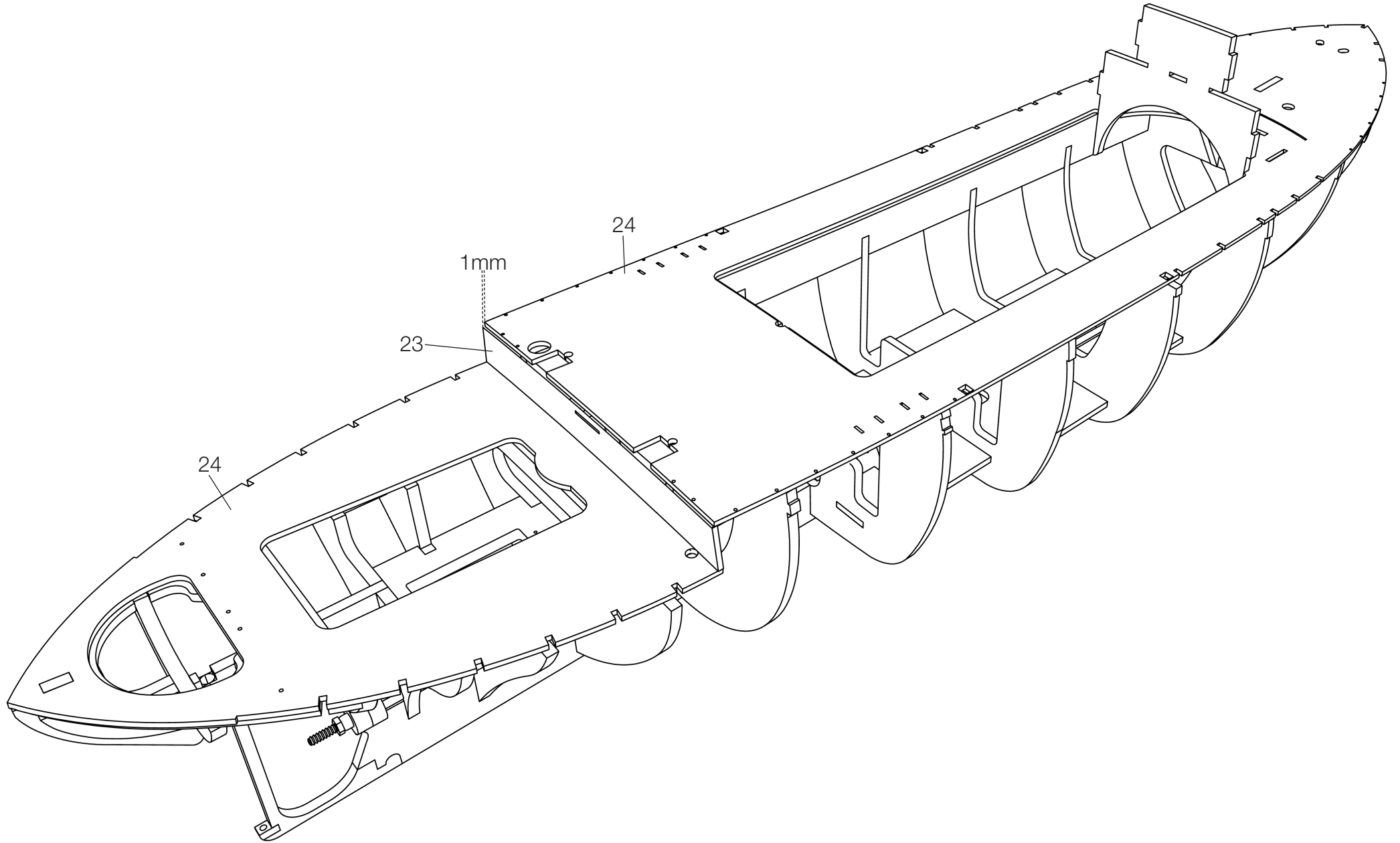


FIG. 6



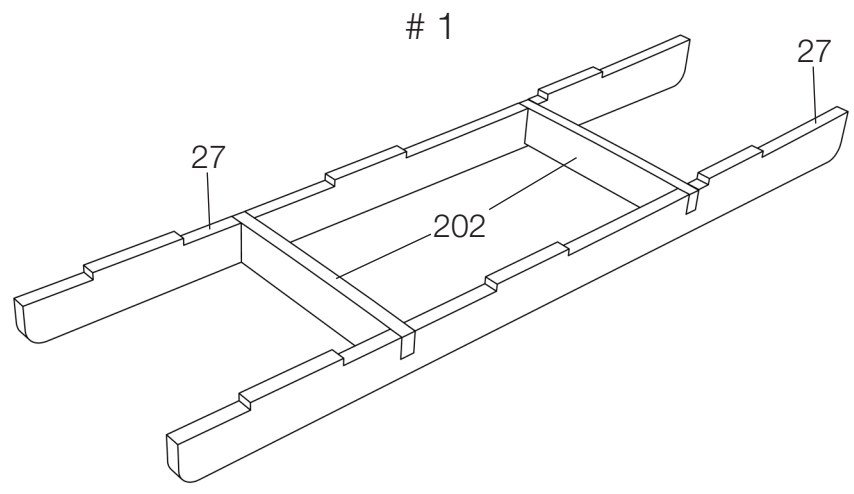


FIG. 7

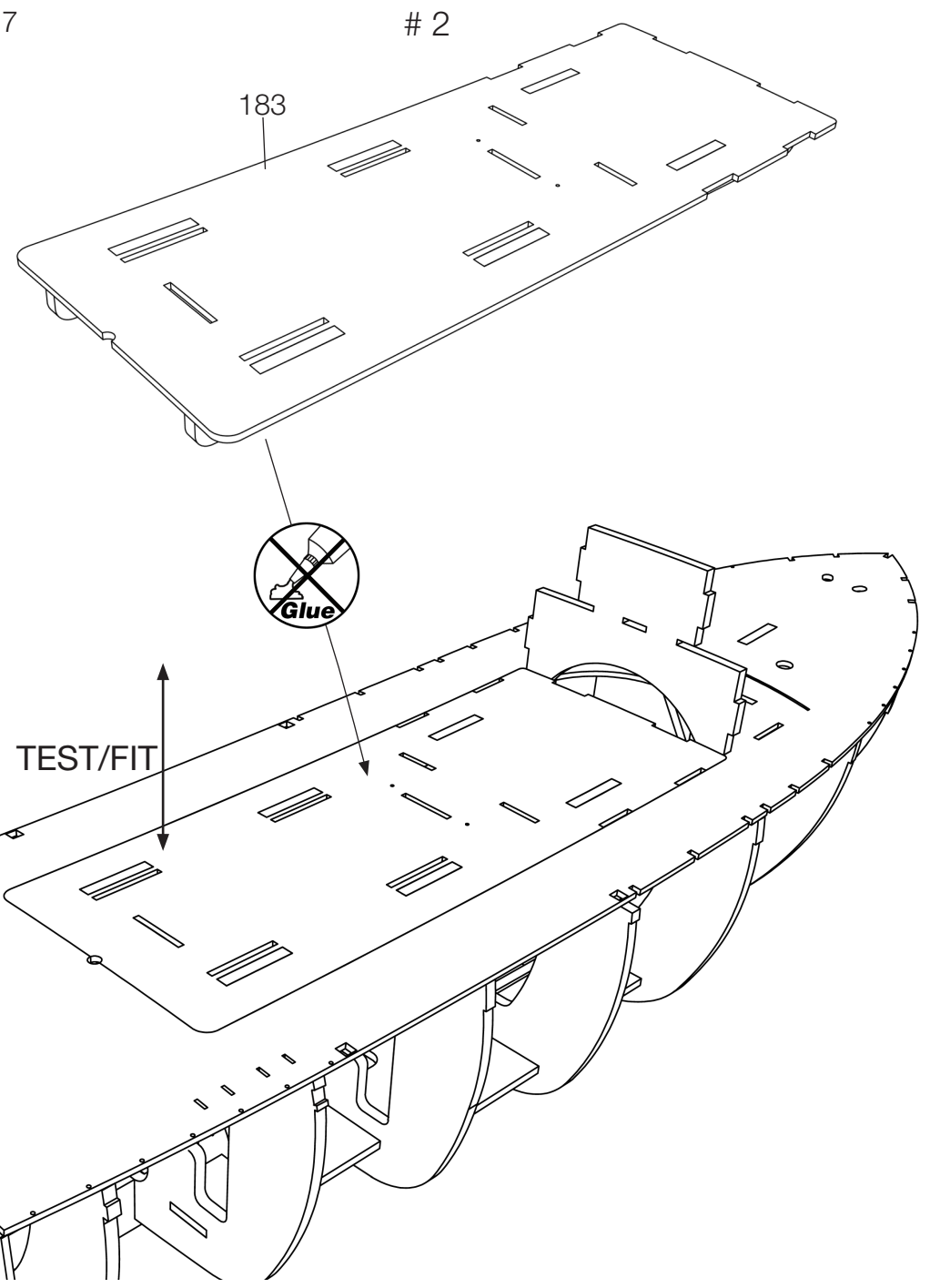


FIG. 8

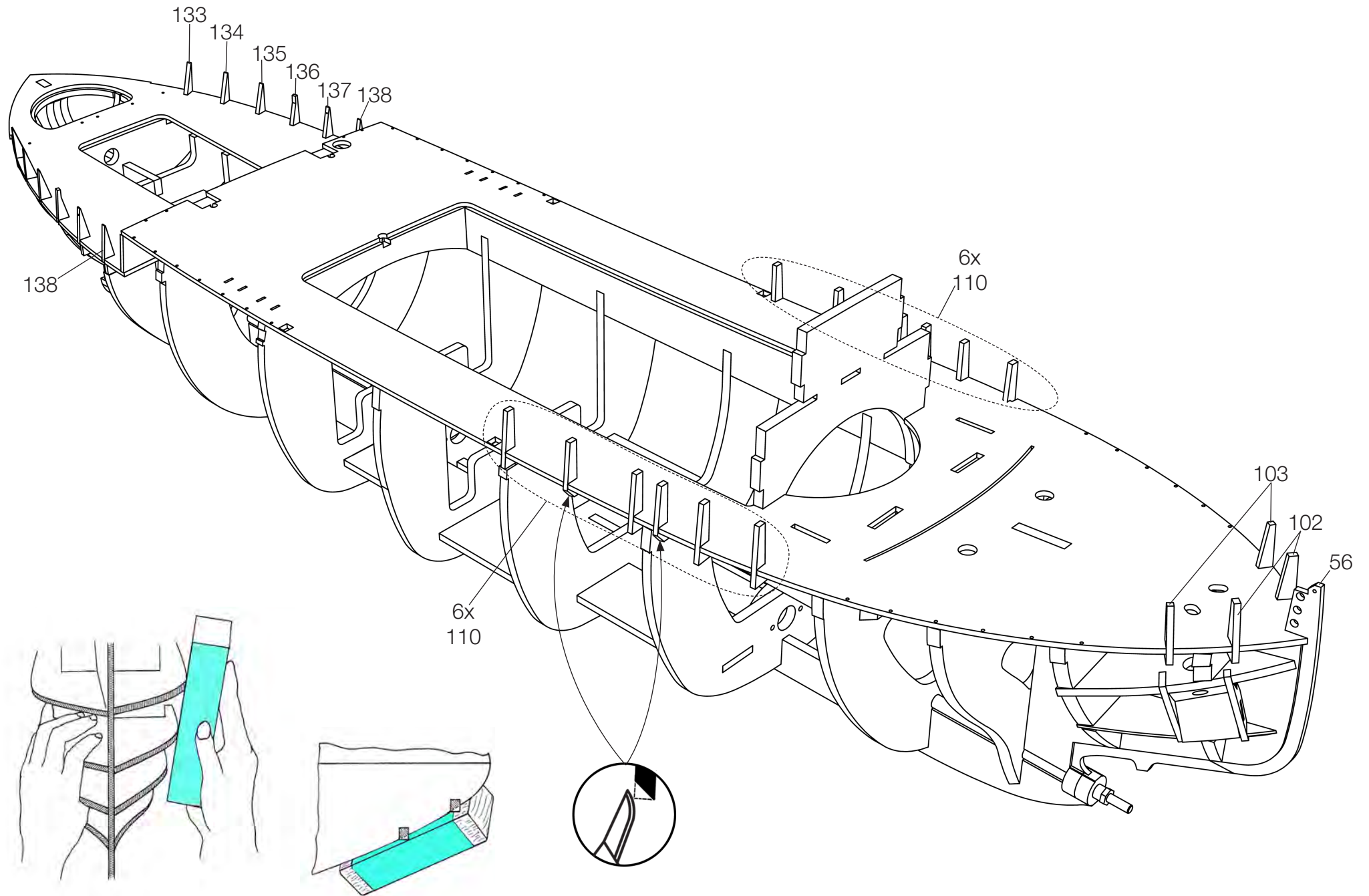


FIG. 9

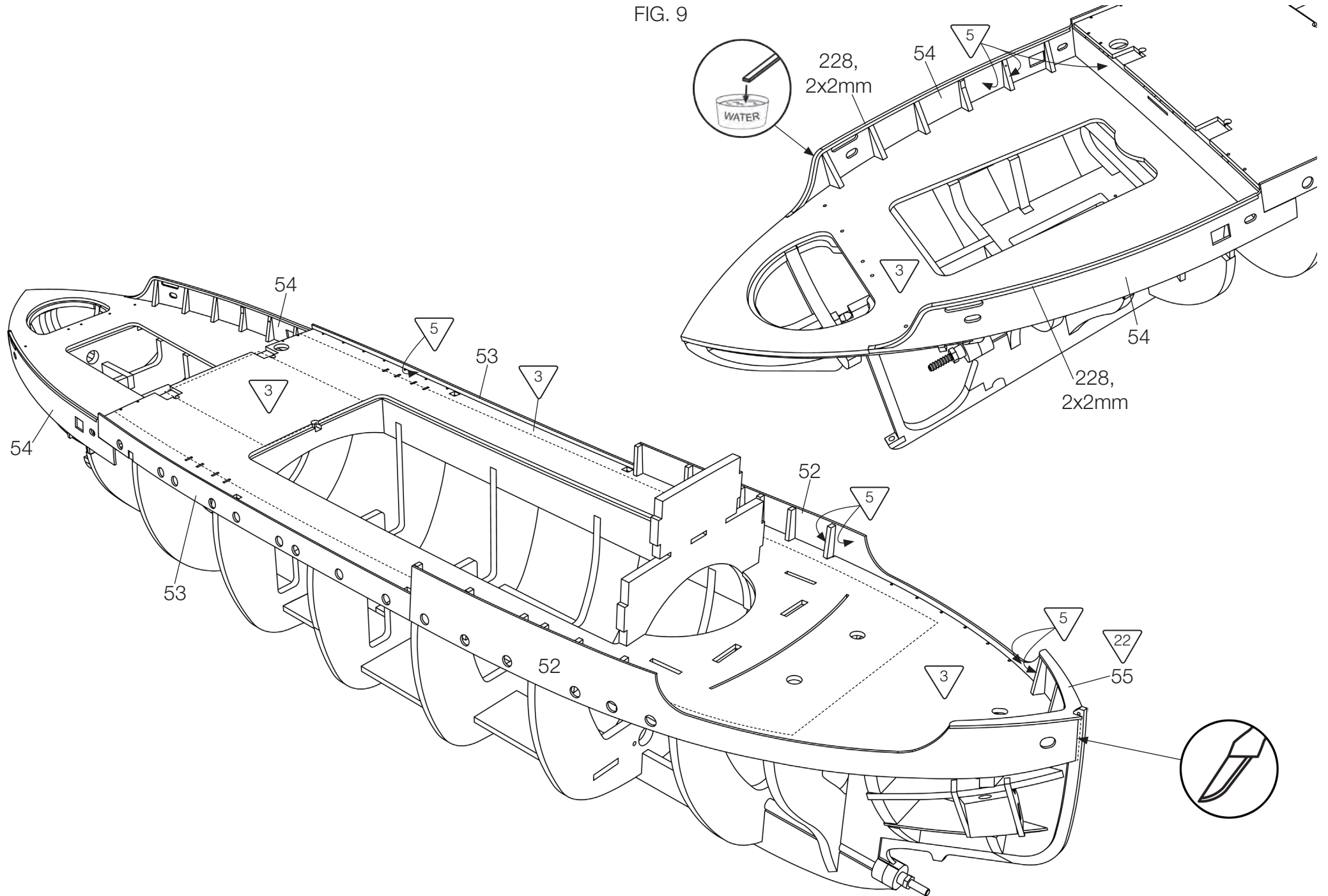


FIG. 10

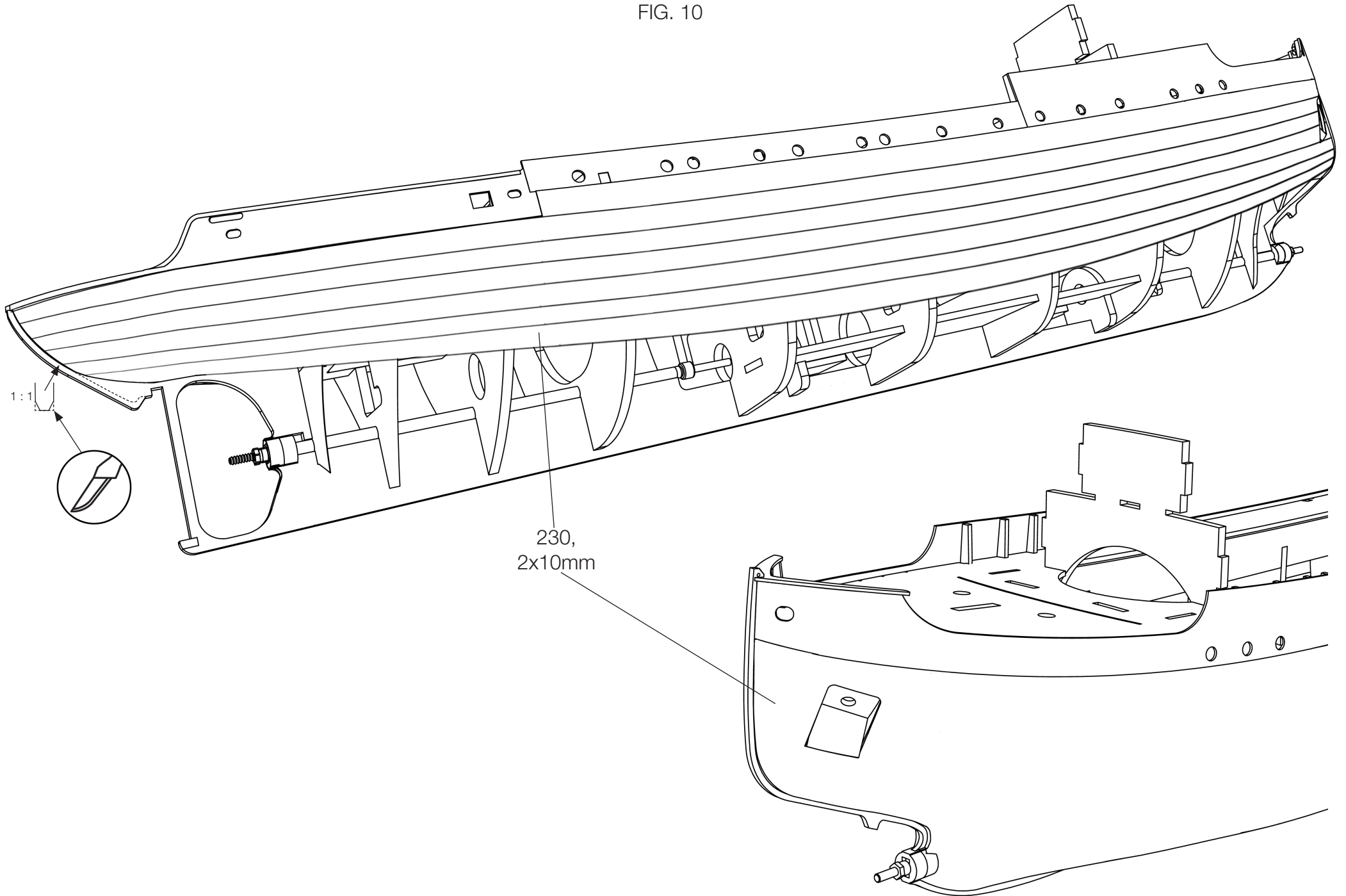


FIG. 11

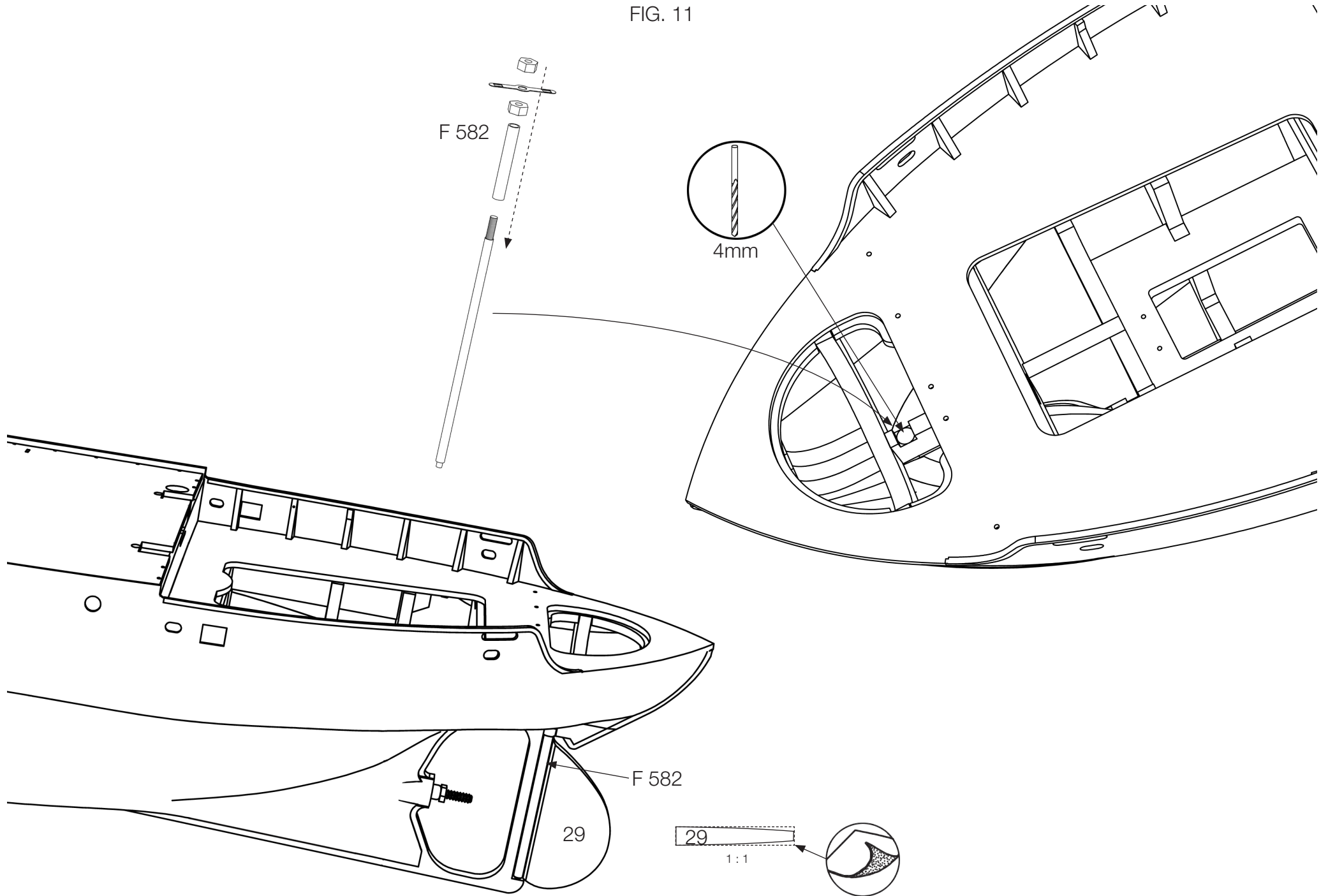


FIG. 12

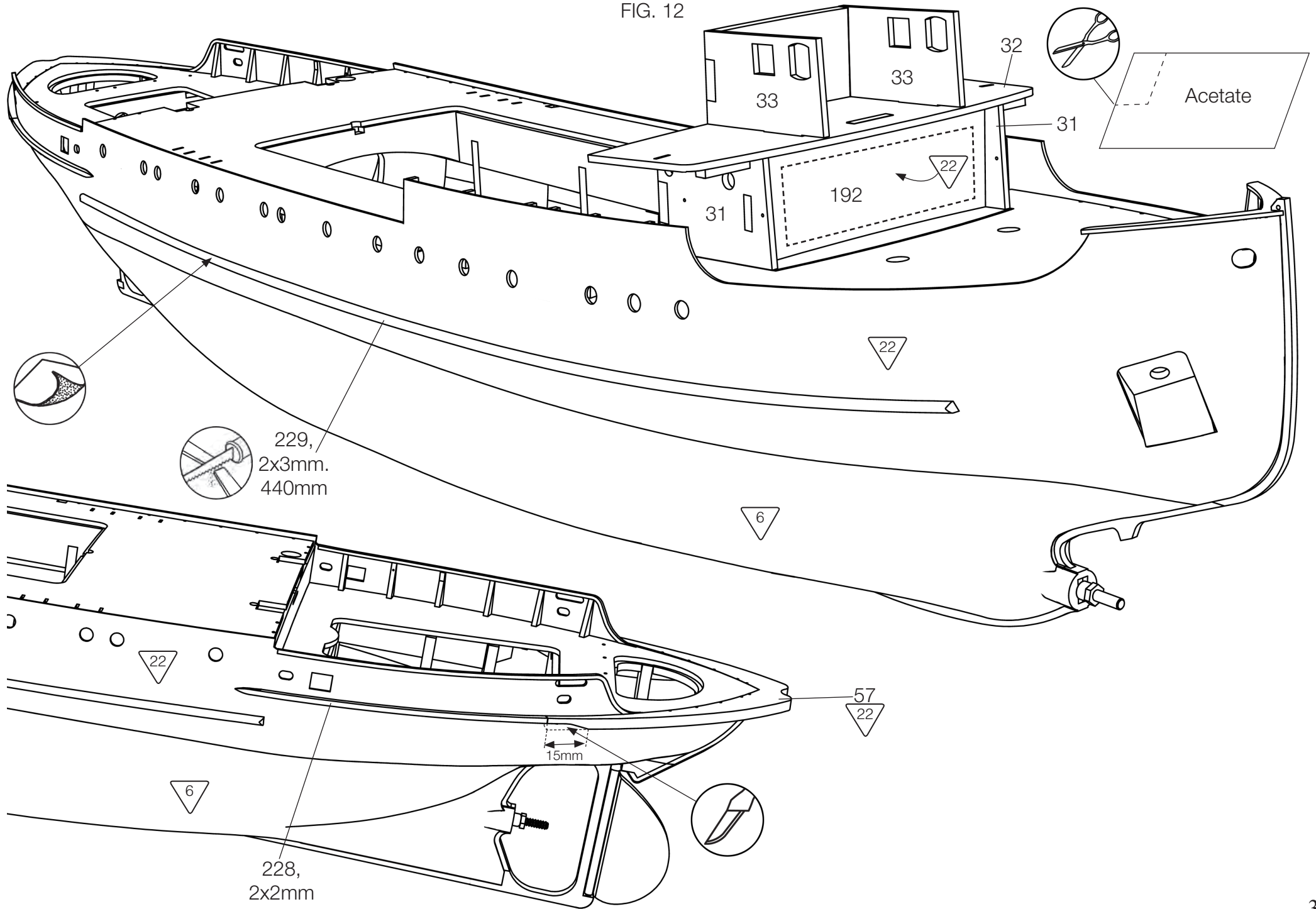


FIG. 13

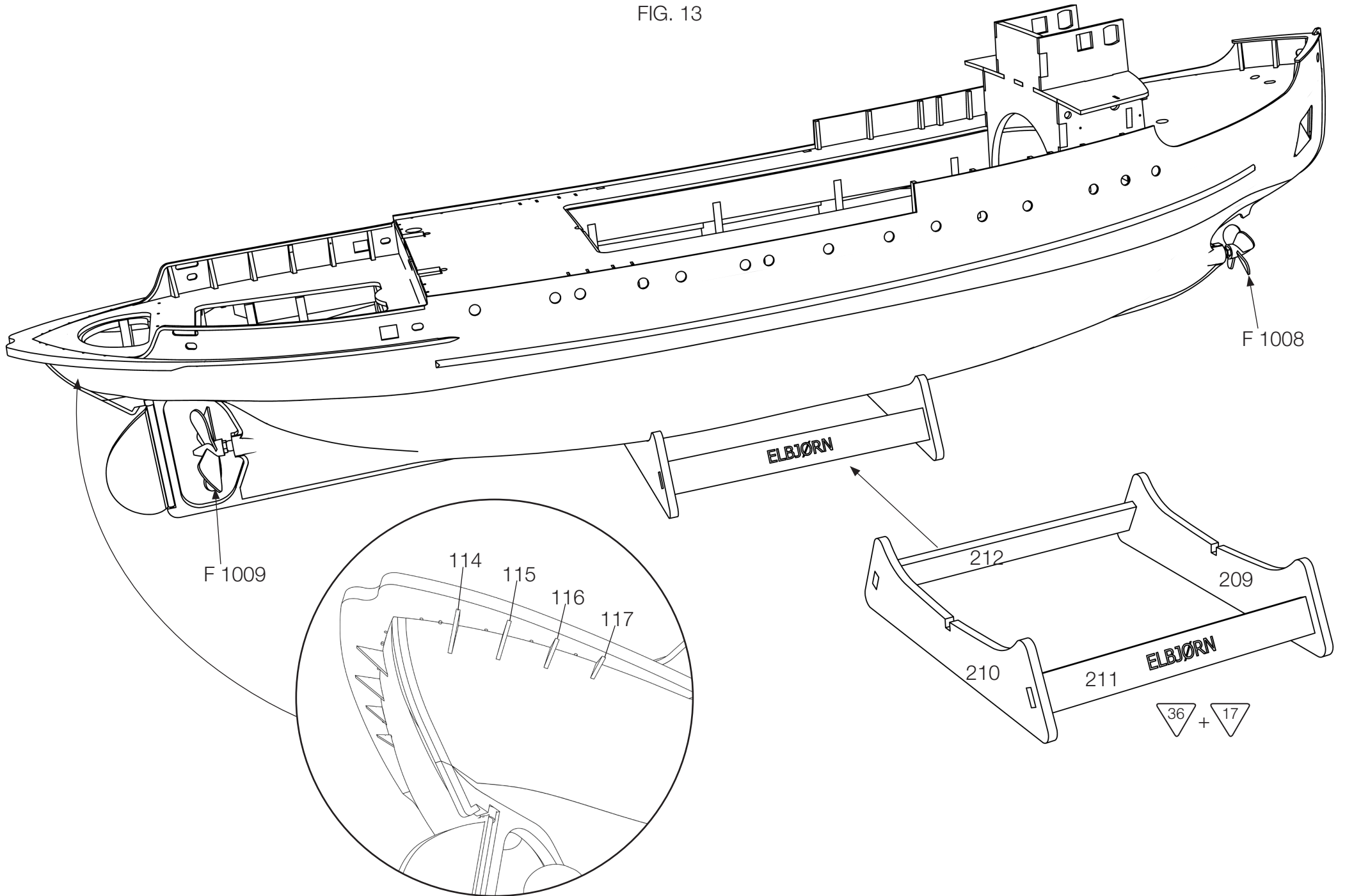


FIG. 14

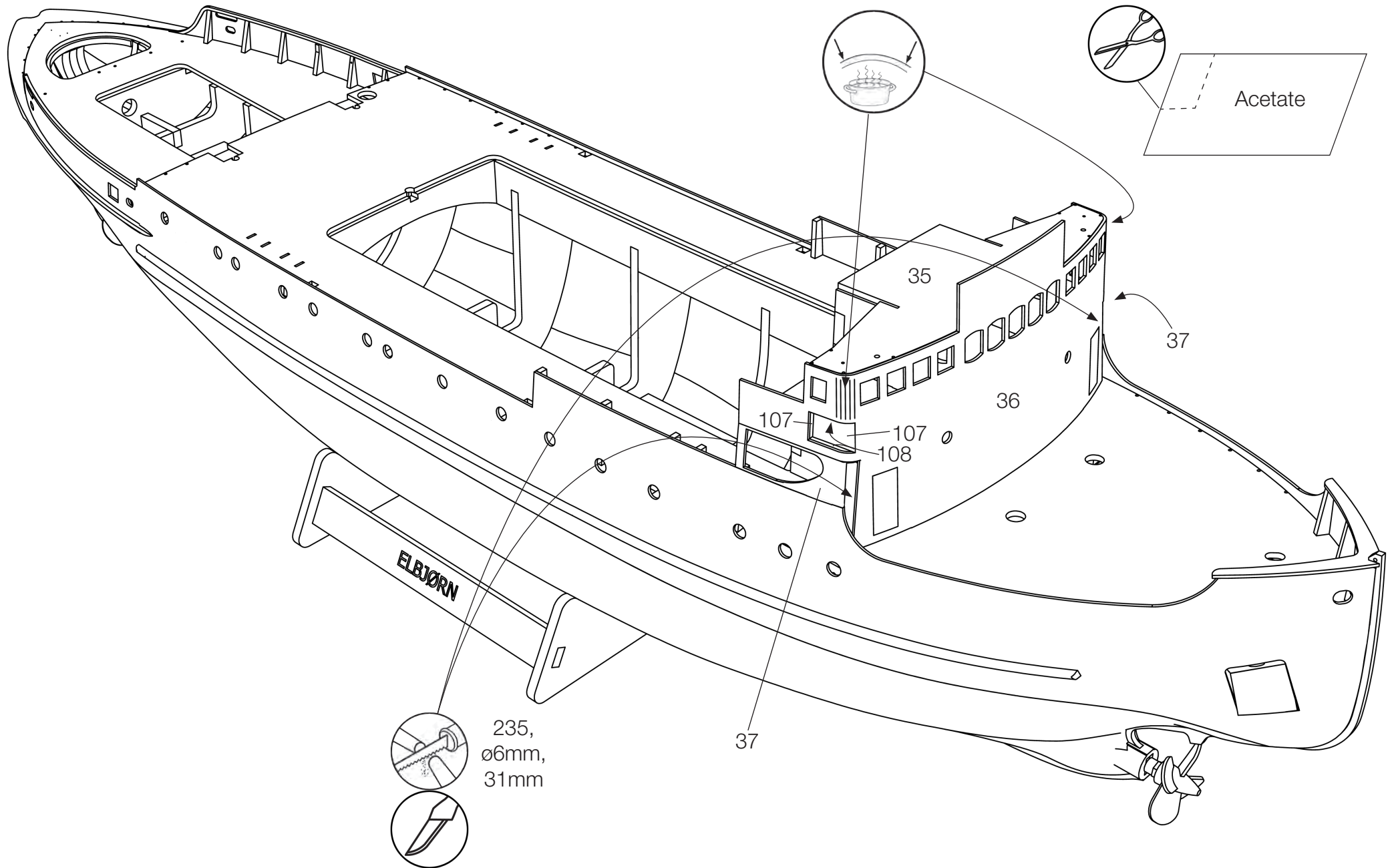


FIG. 15

▽ 5 72+73+75+76+77+99+122+146

▽ 10 + ▽ 14 38+78+79+81+225

▽ 22 111+147

▽ 36 49+80+226

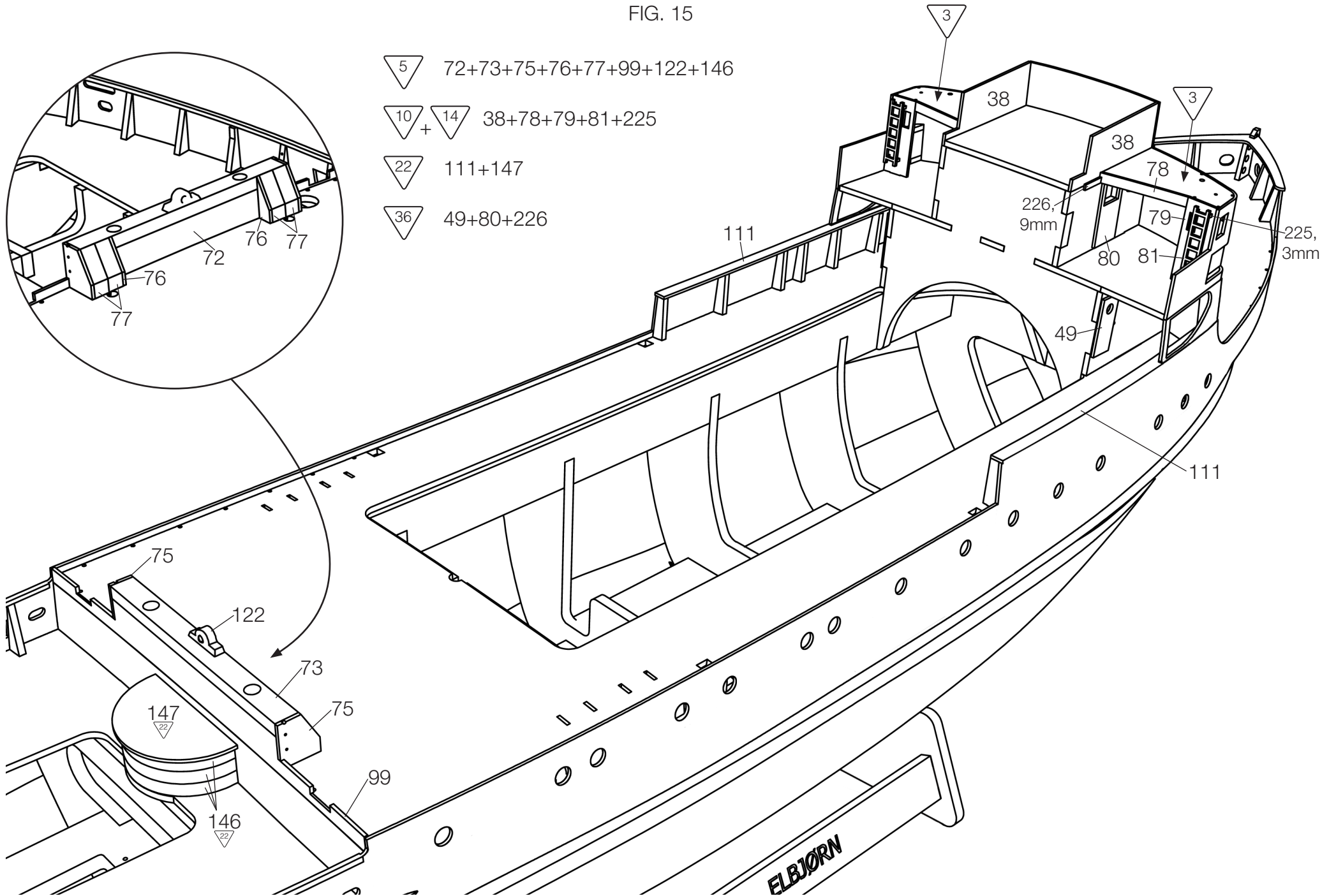
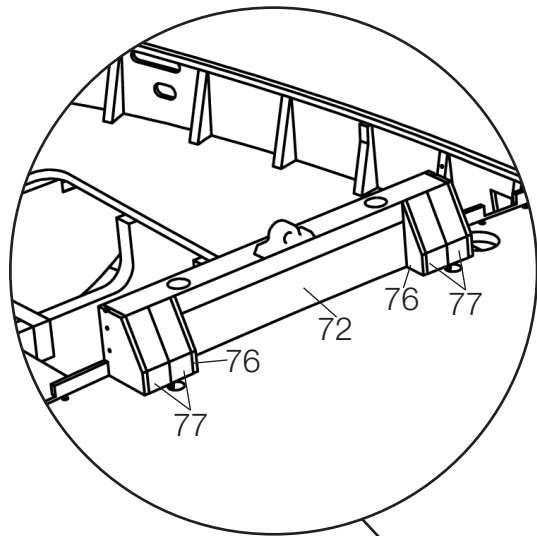
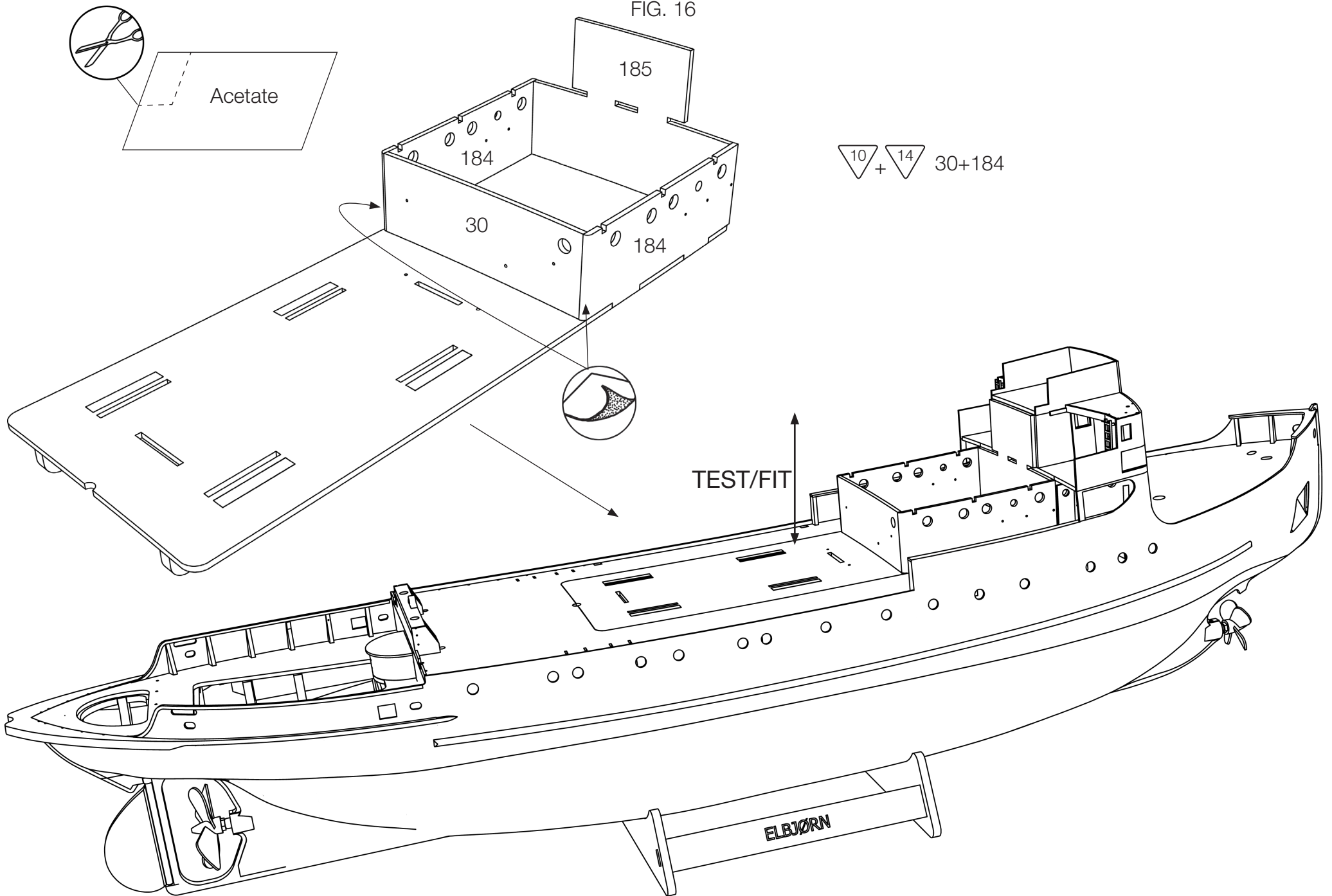


FIG. 16



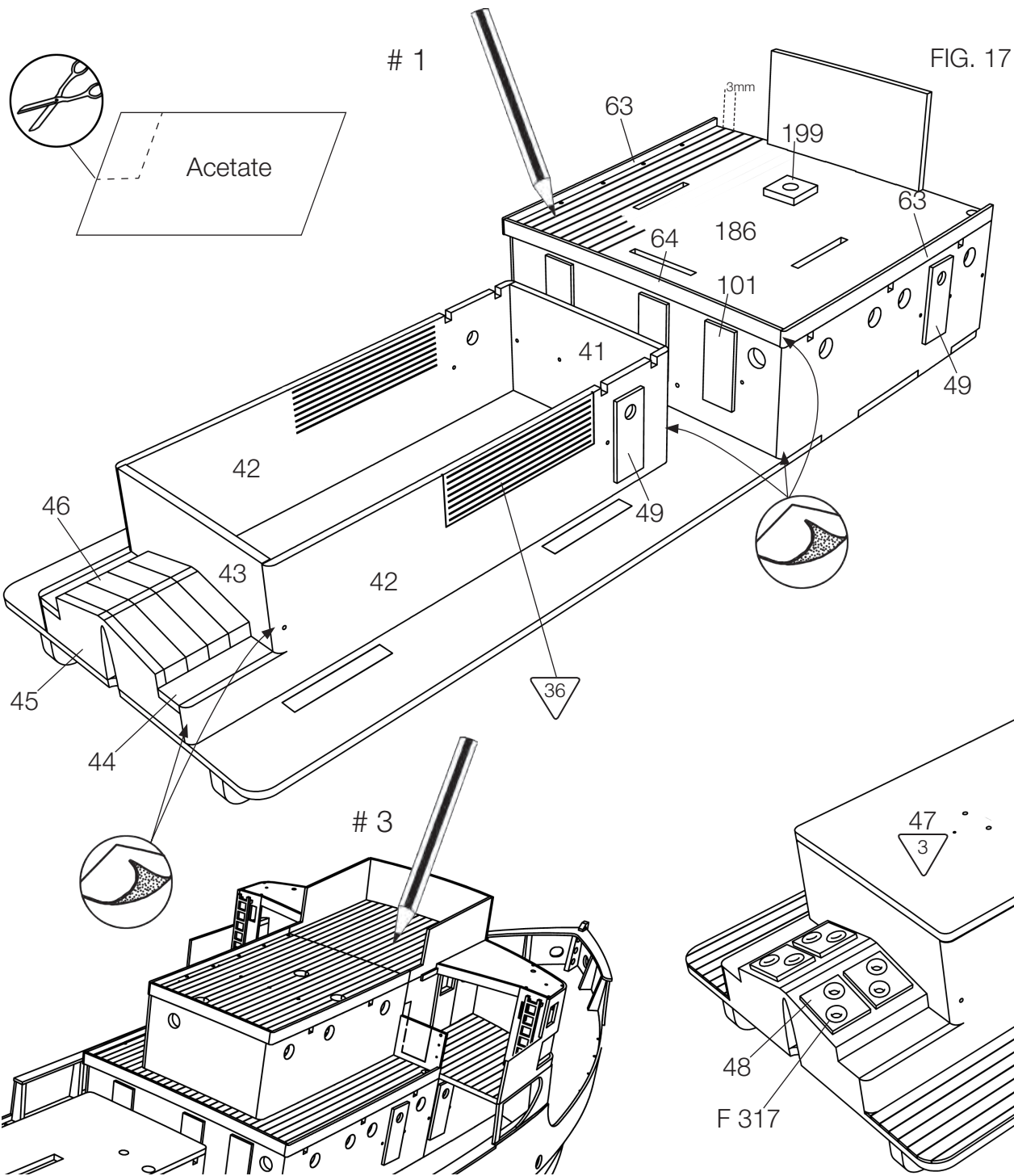


FIG. 17

- ▽10 + ▽14 34+39+40+41+42+43+44+45+46
+48+50+63+64+187+188+F 317
- ▽36 49+101
- ▽17 186+189+227

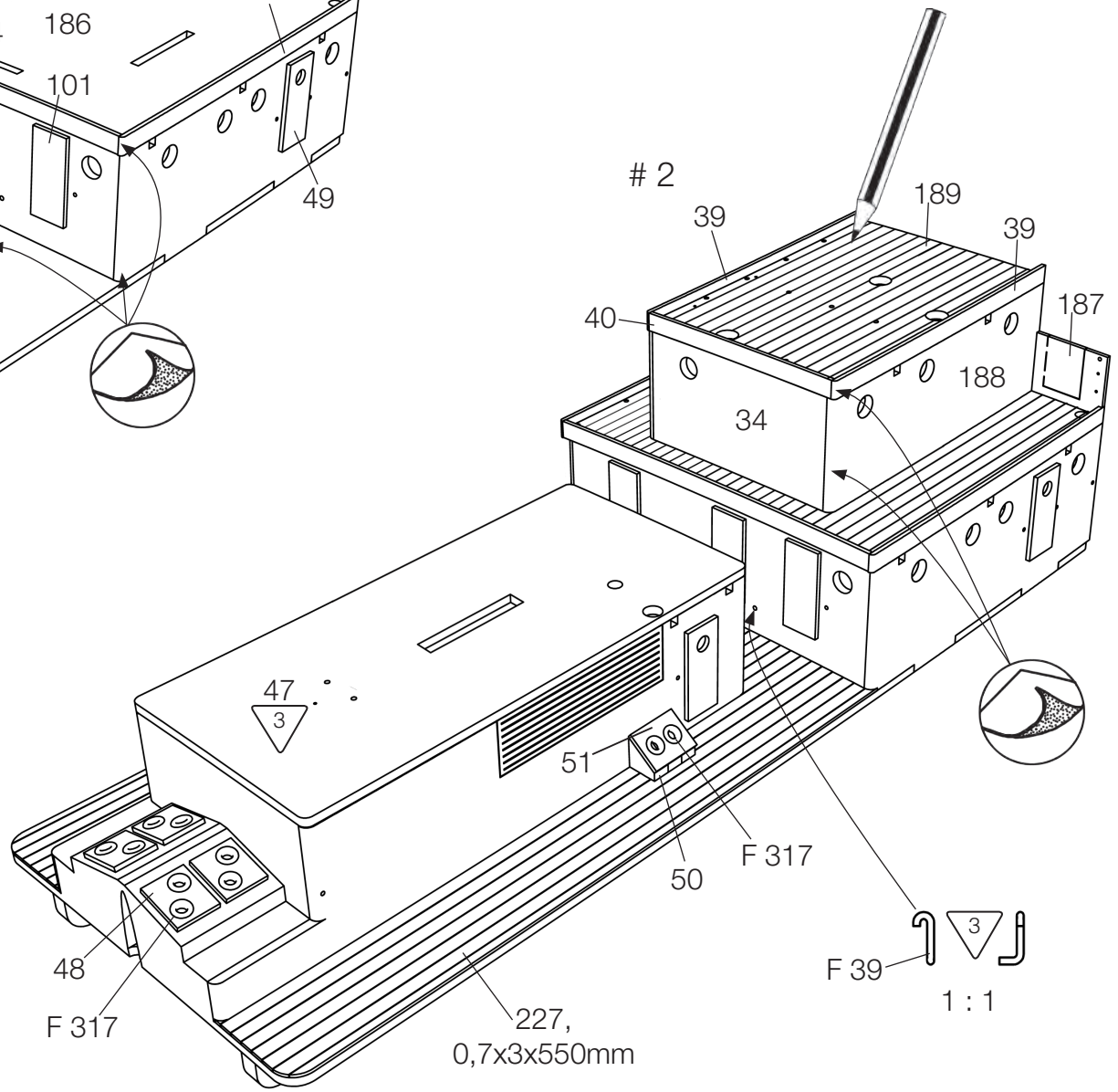


FIG. 18

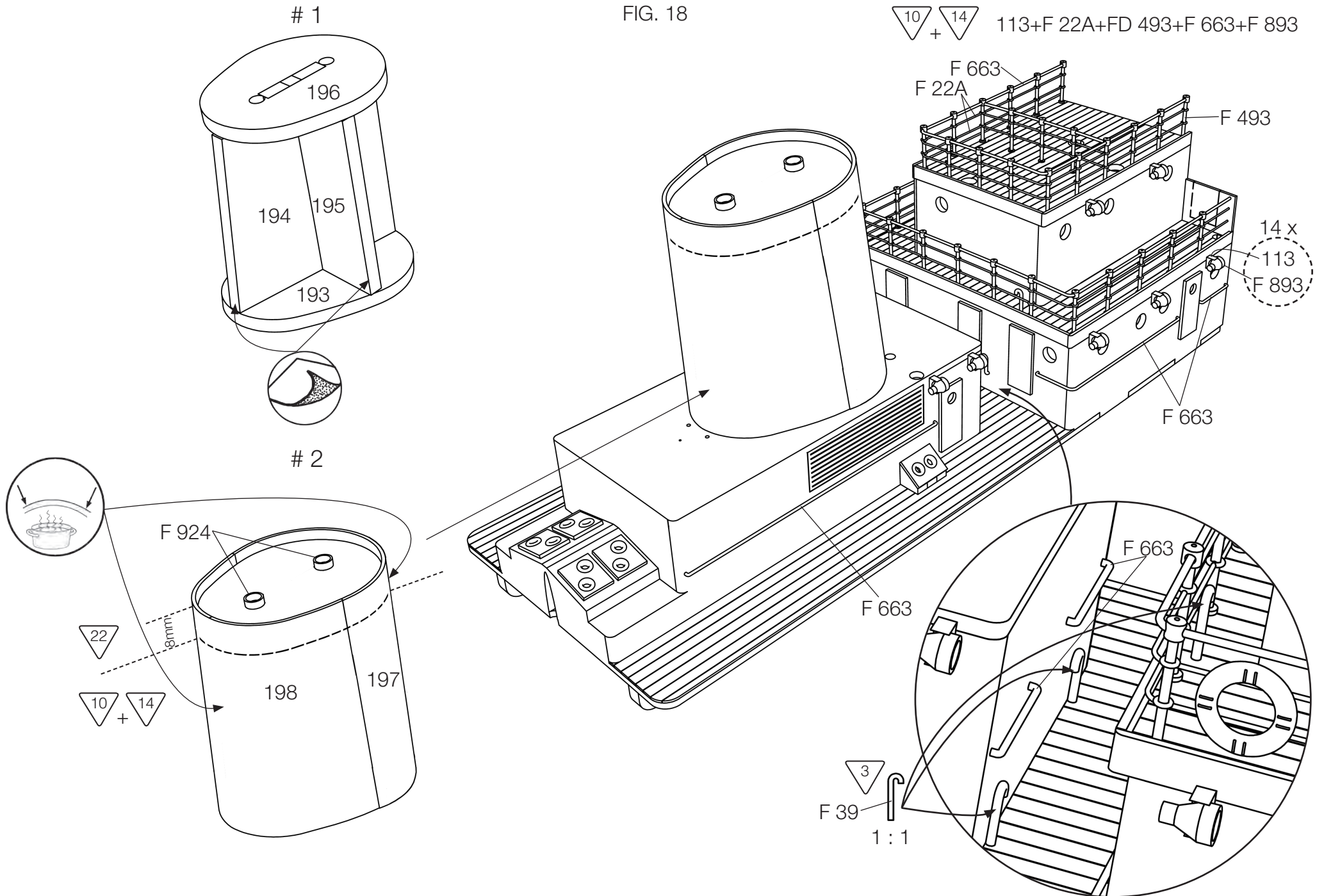


FIG. 19

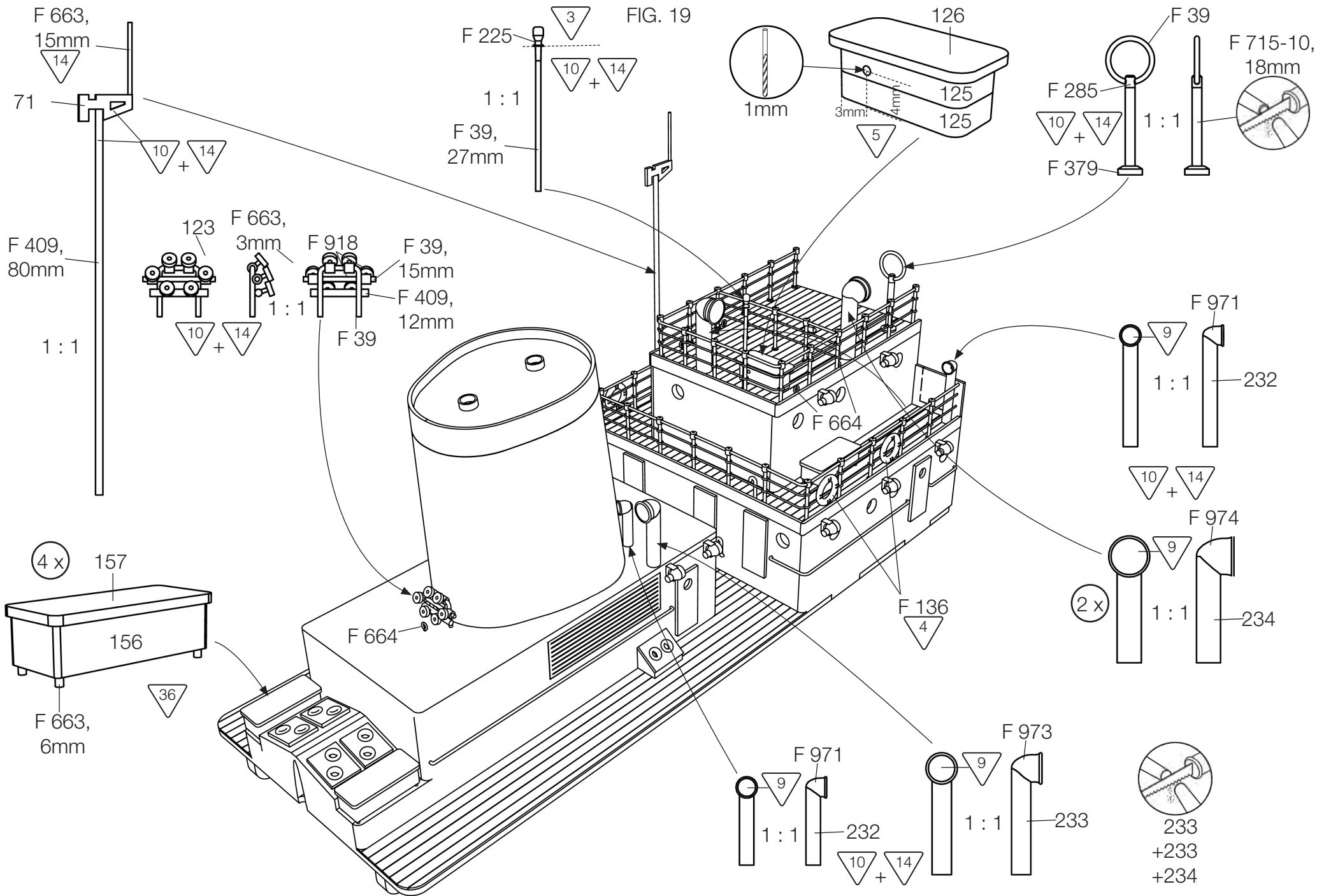
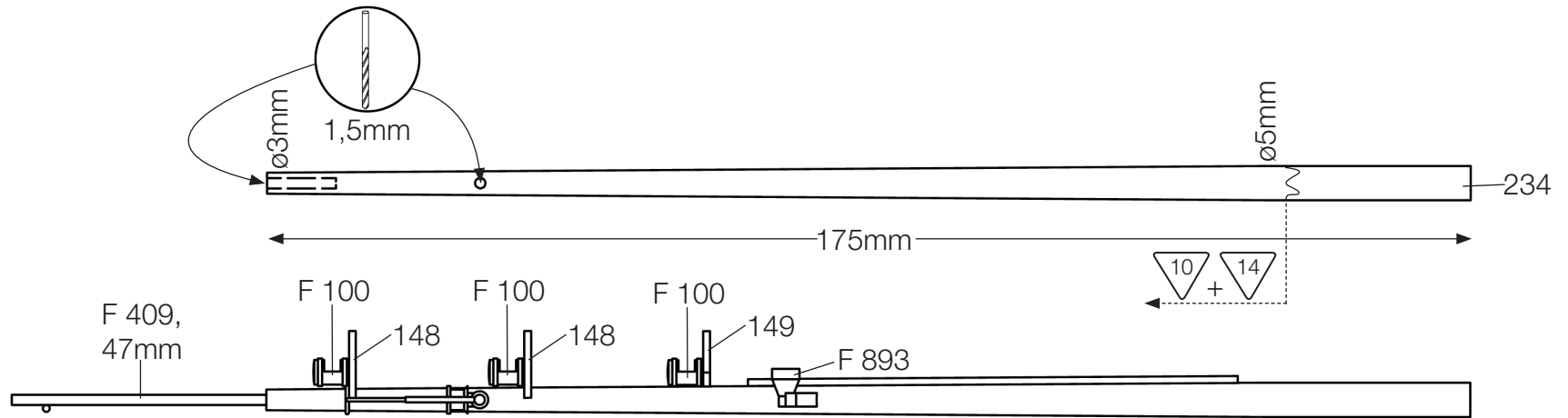
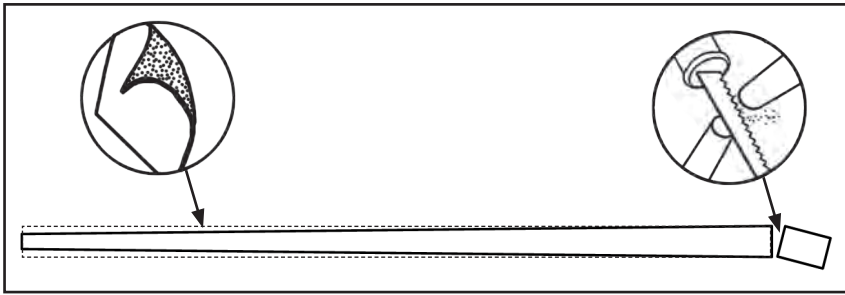


FIG. 20



1

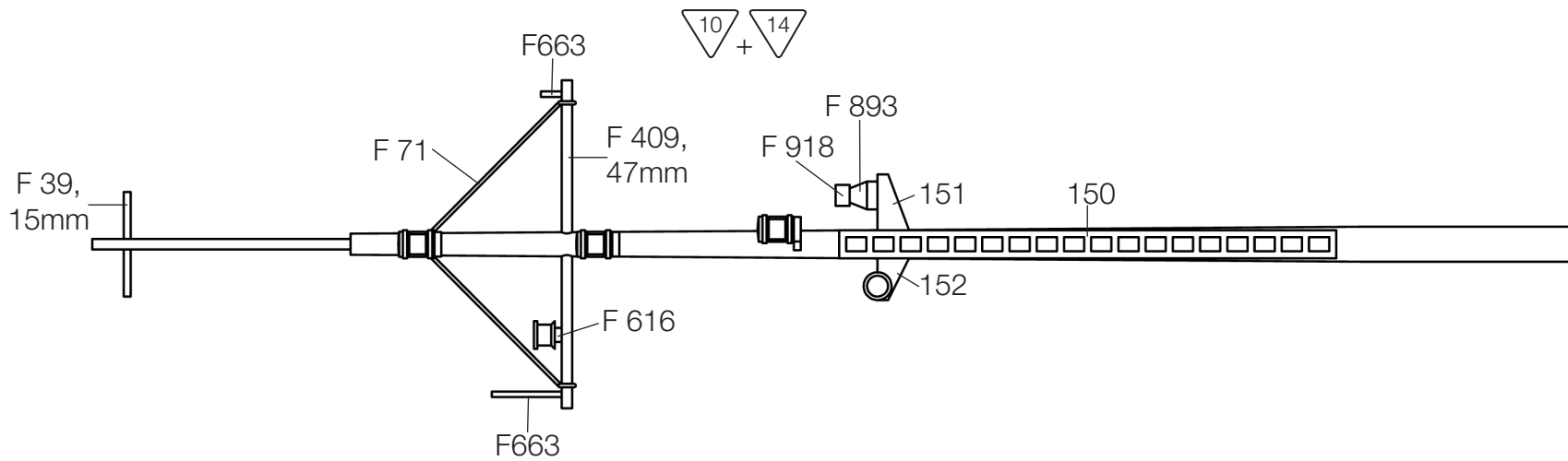
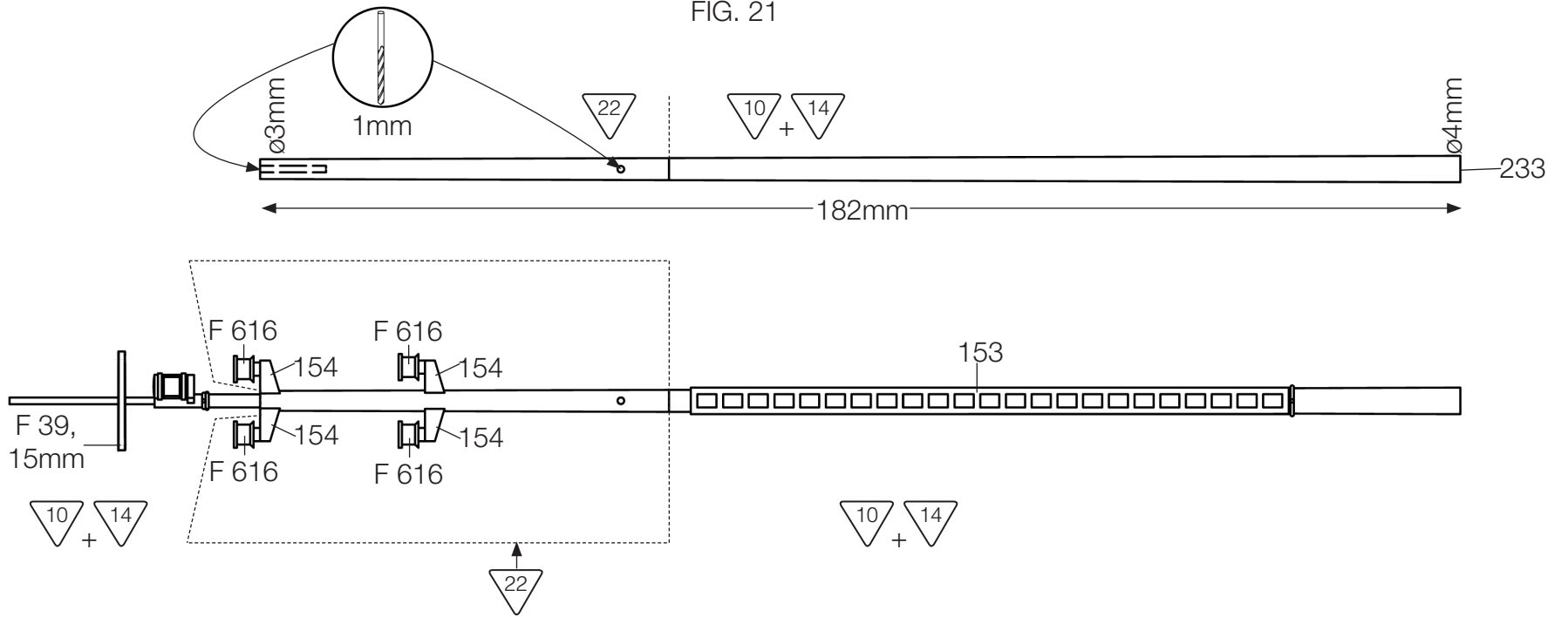


FIG. 21



2

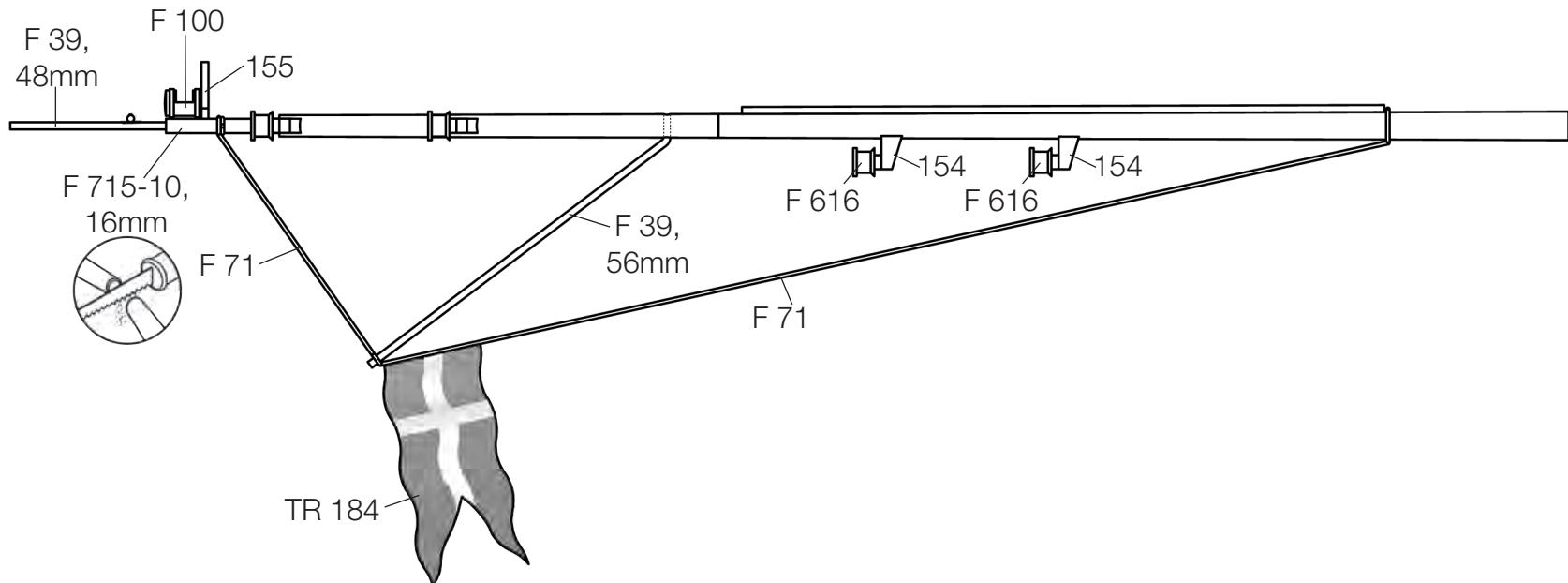
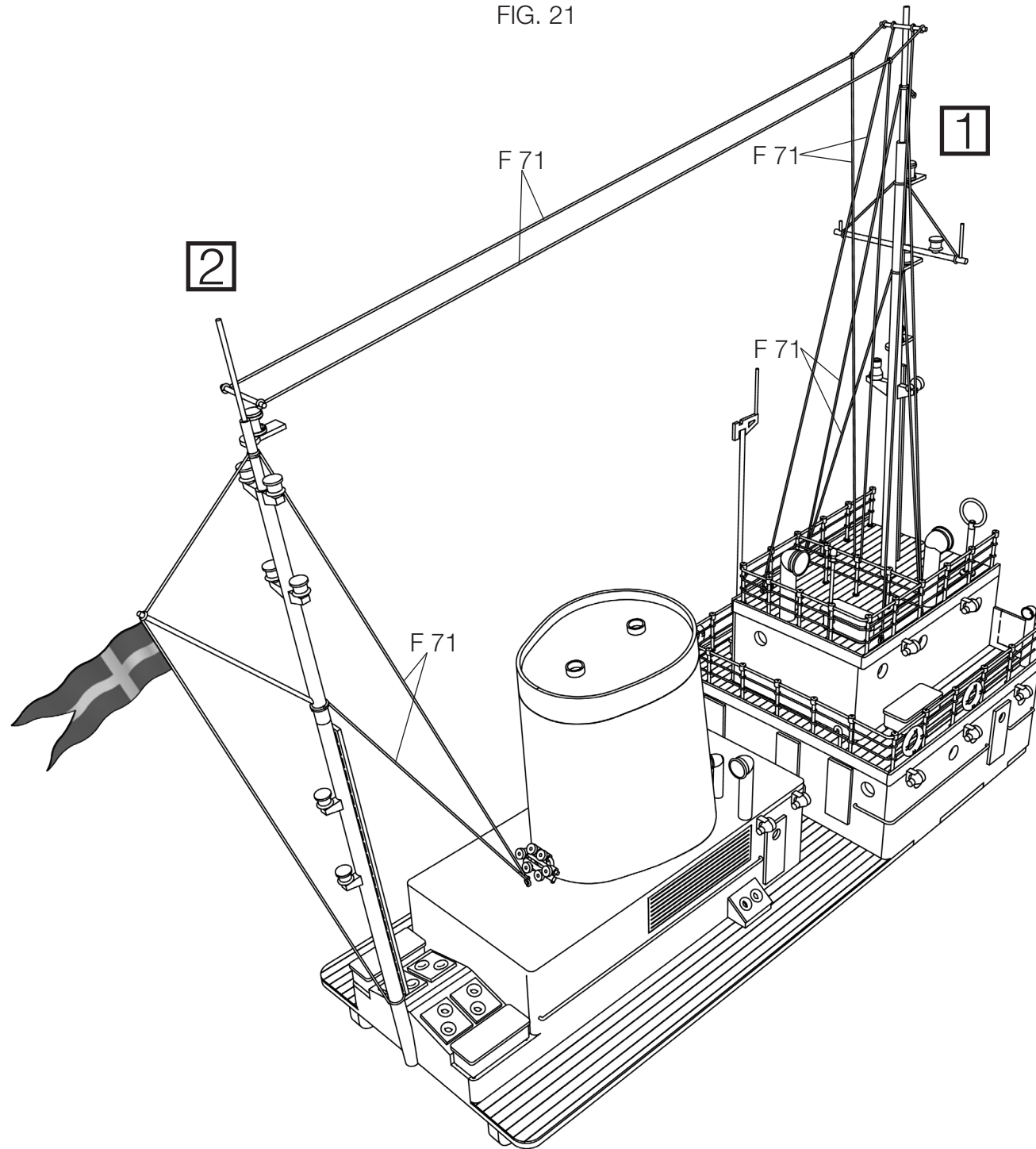
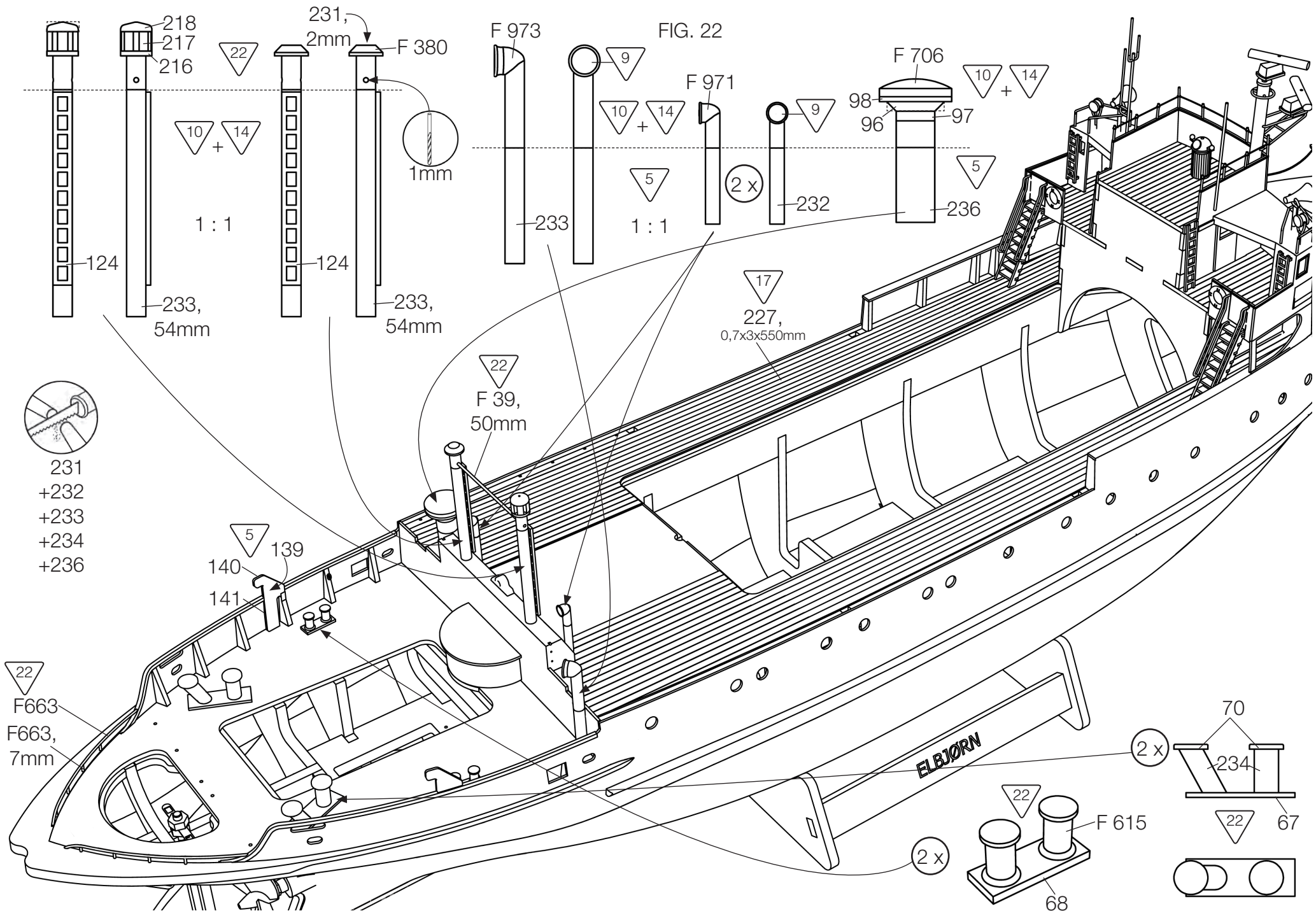


FIG. 21





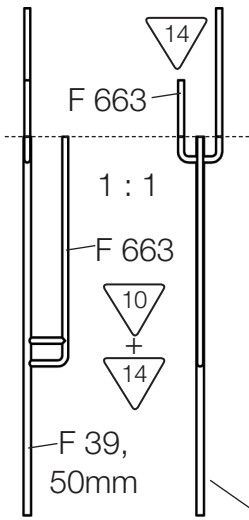
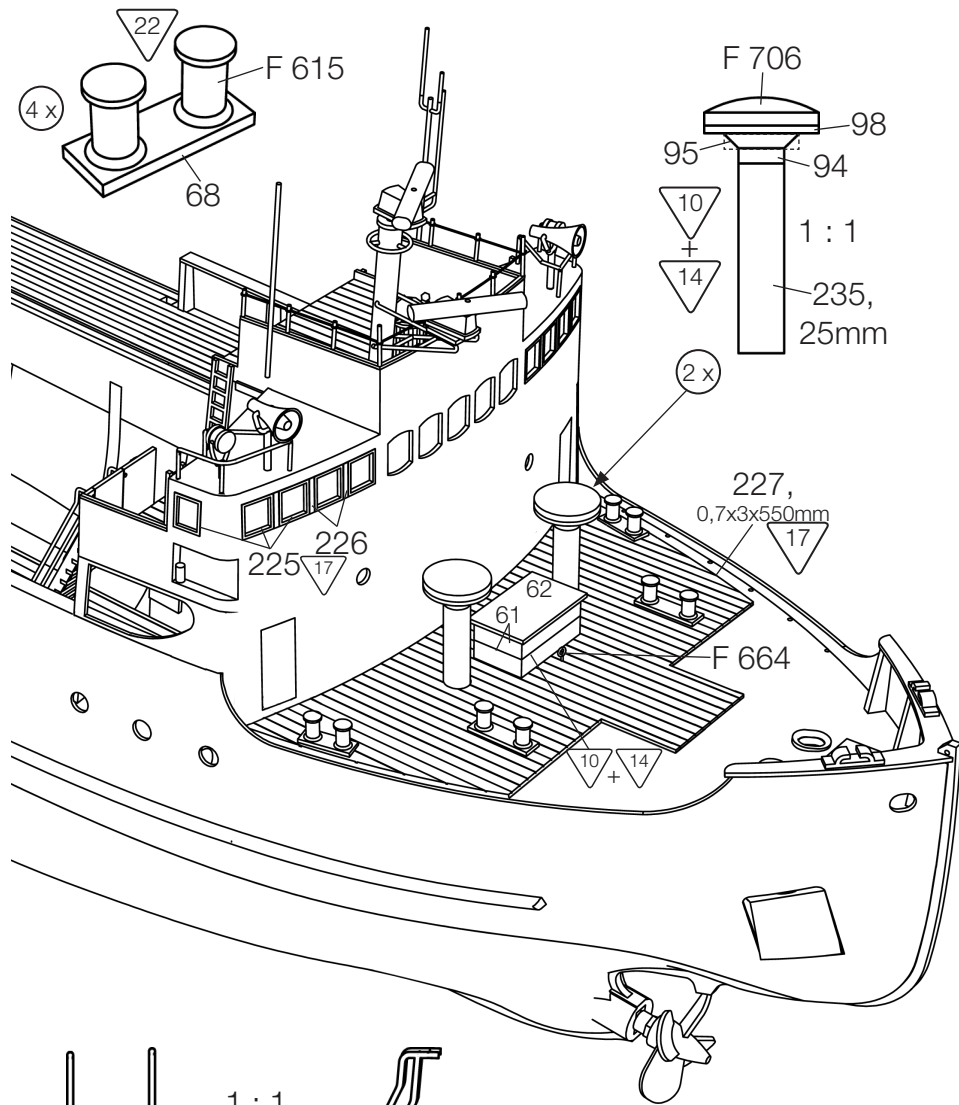
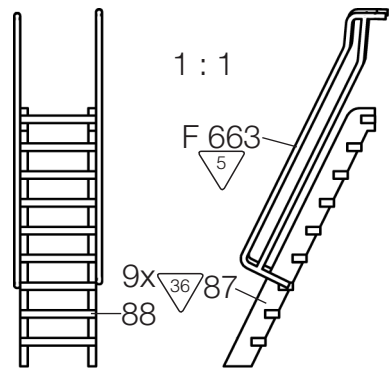
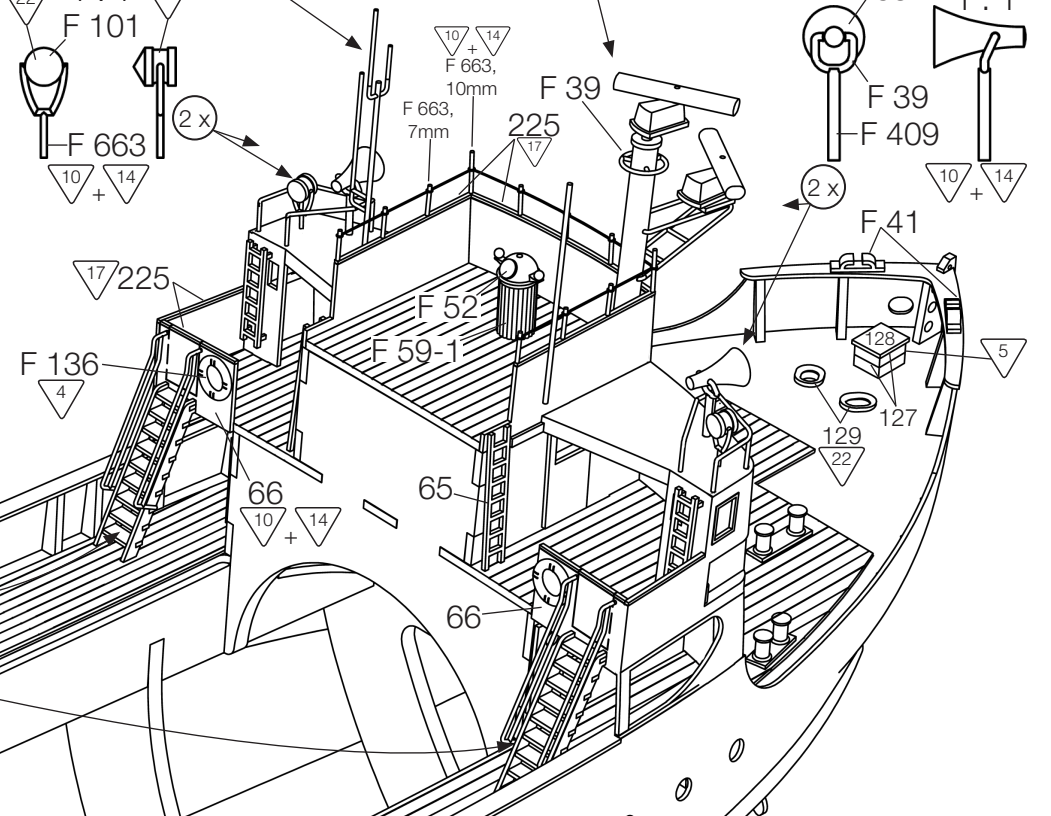
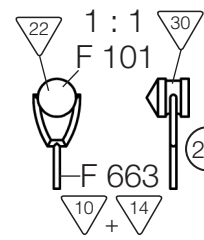
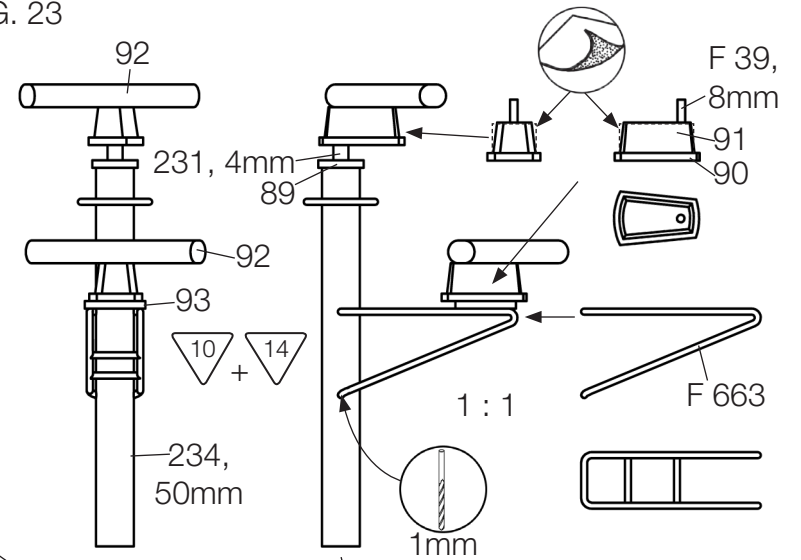


FIG. 23



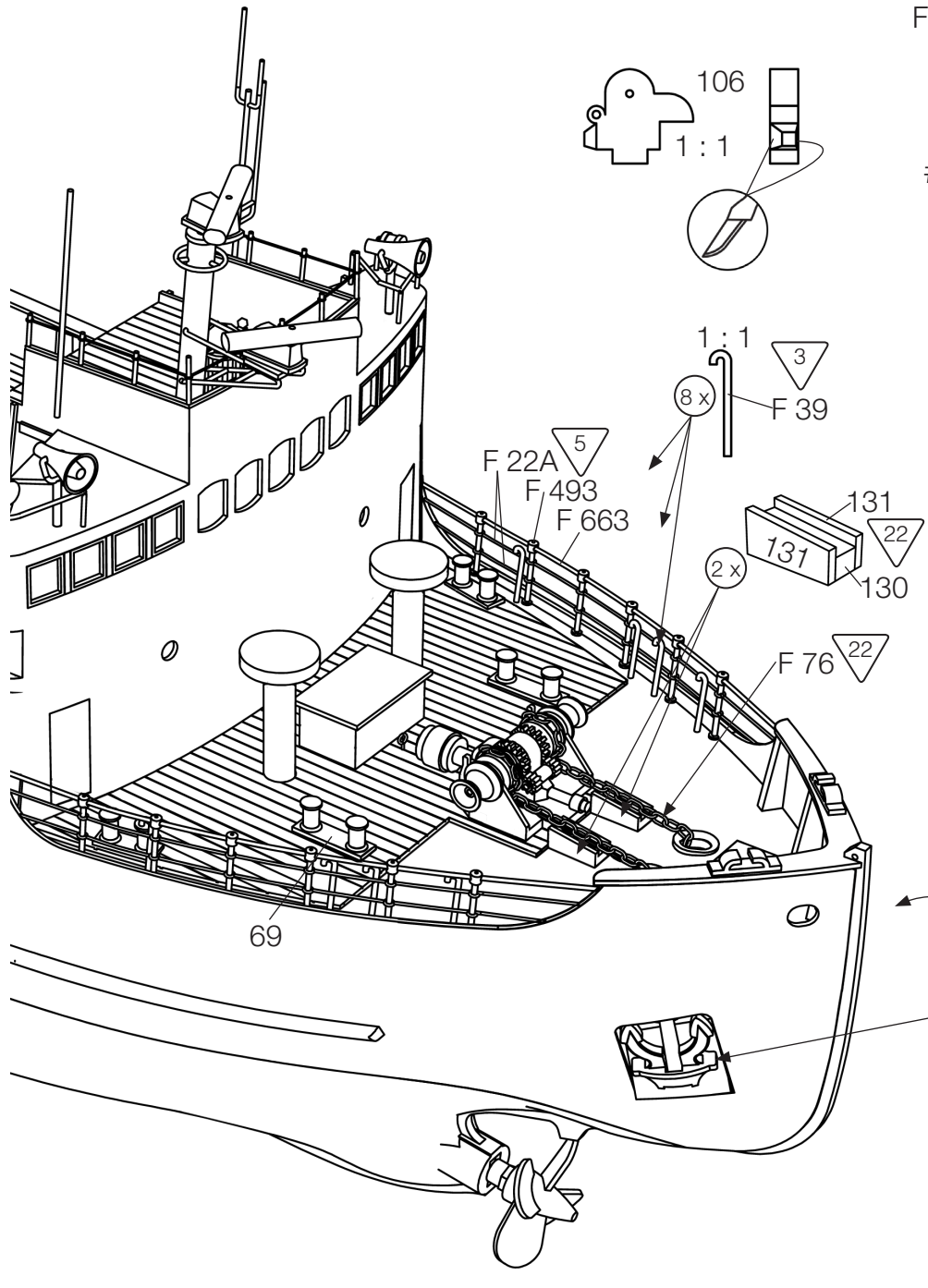
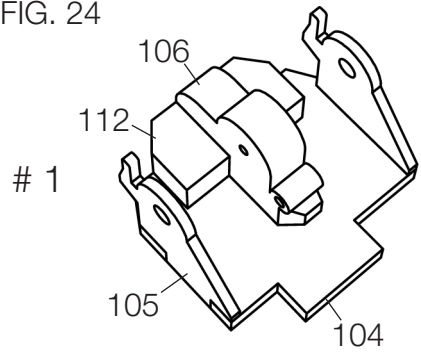
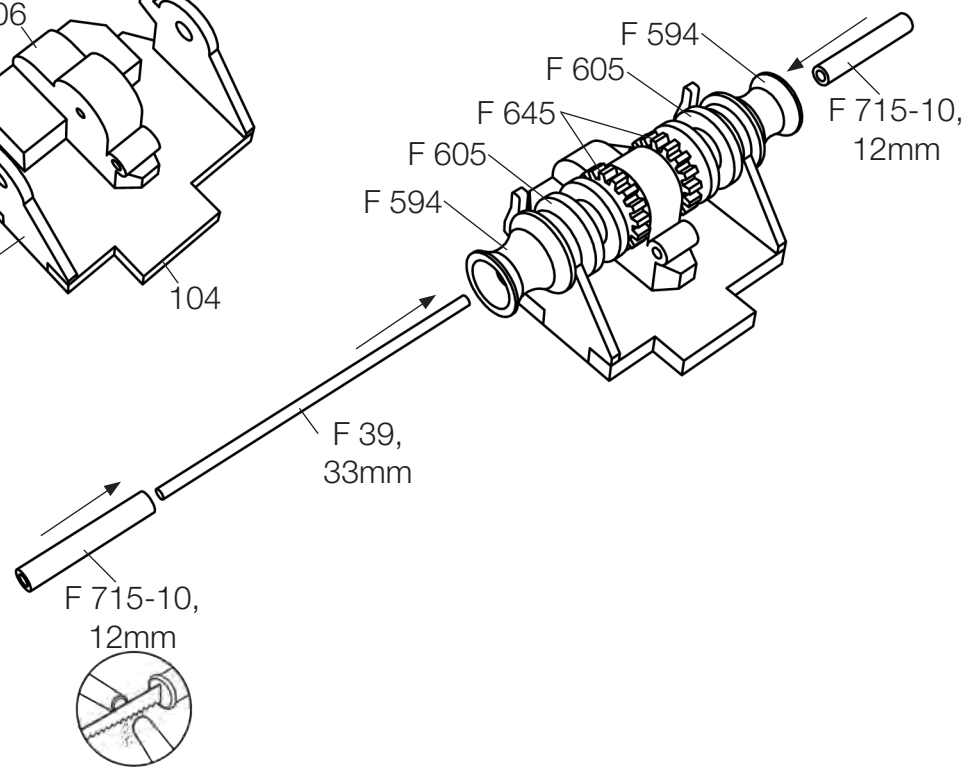


FIG. 24

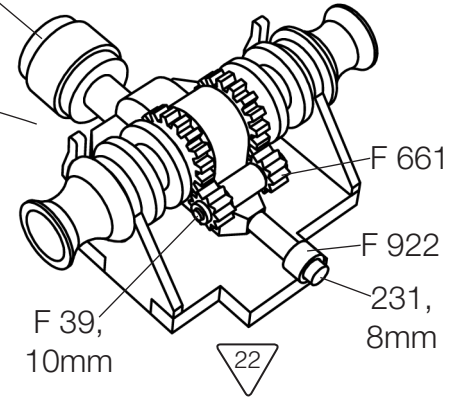


2

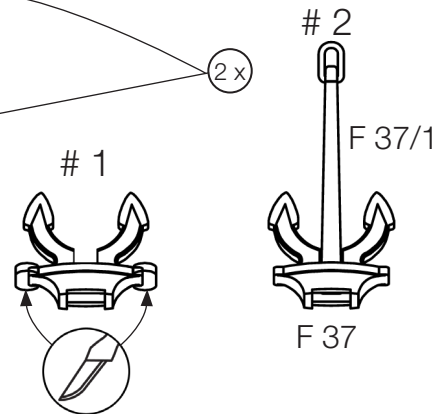


B2-057

3



2



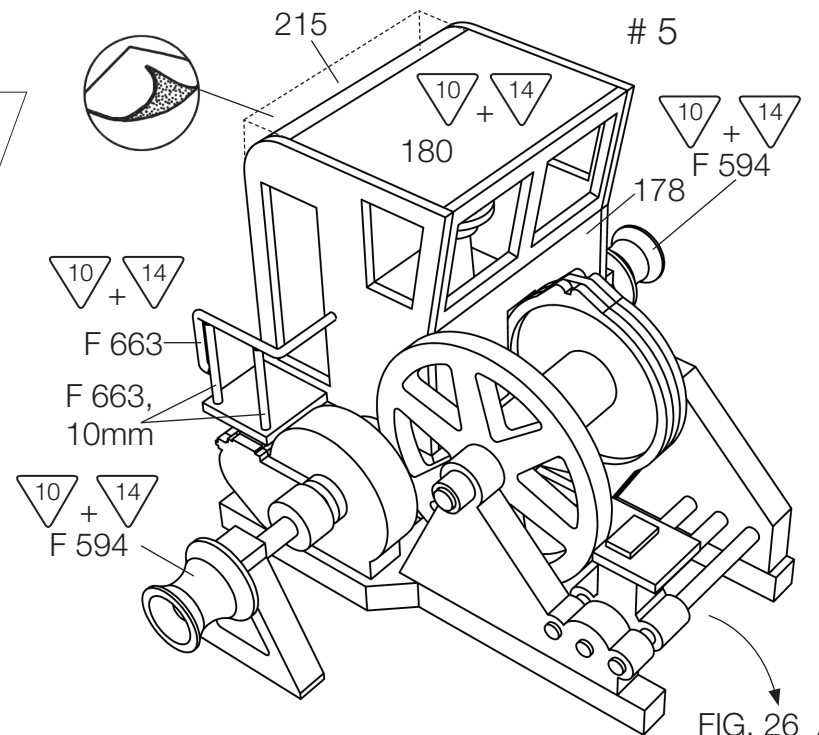
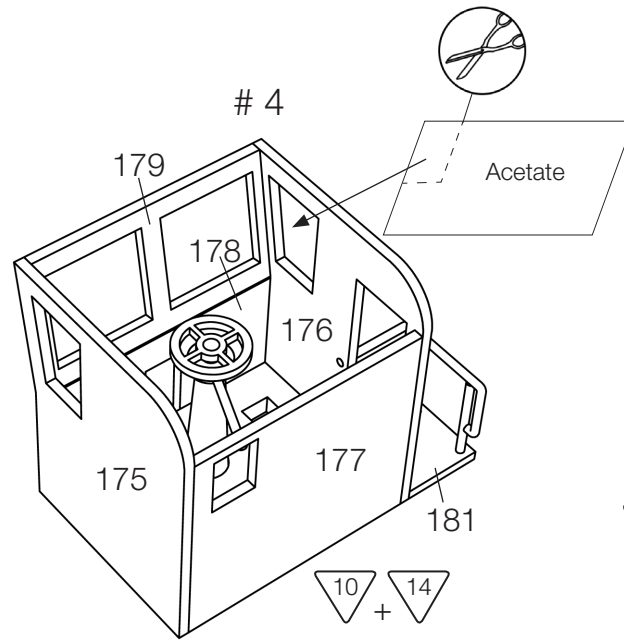
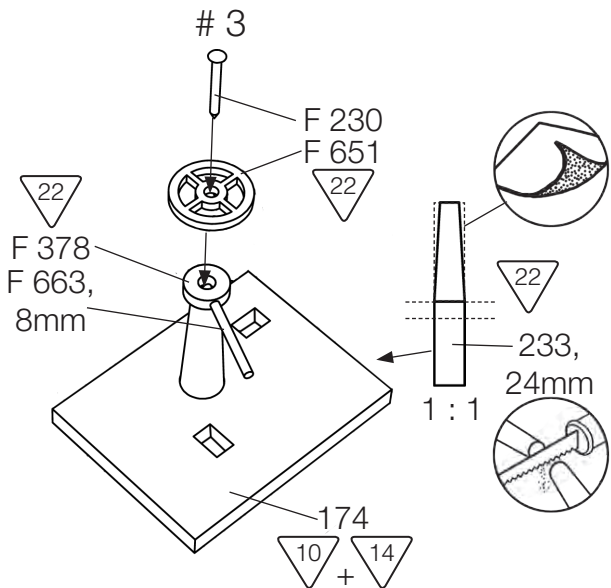
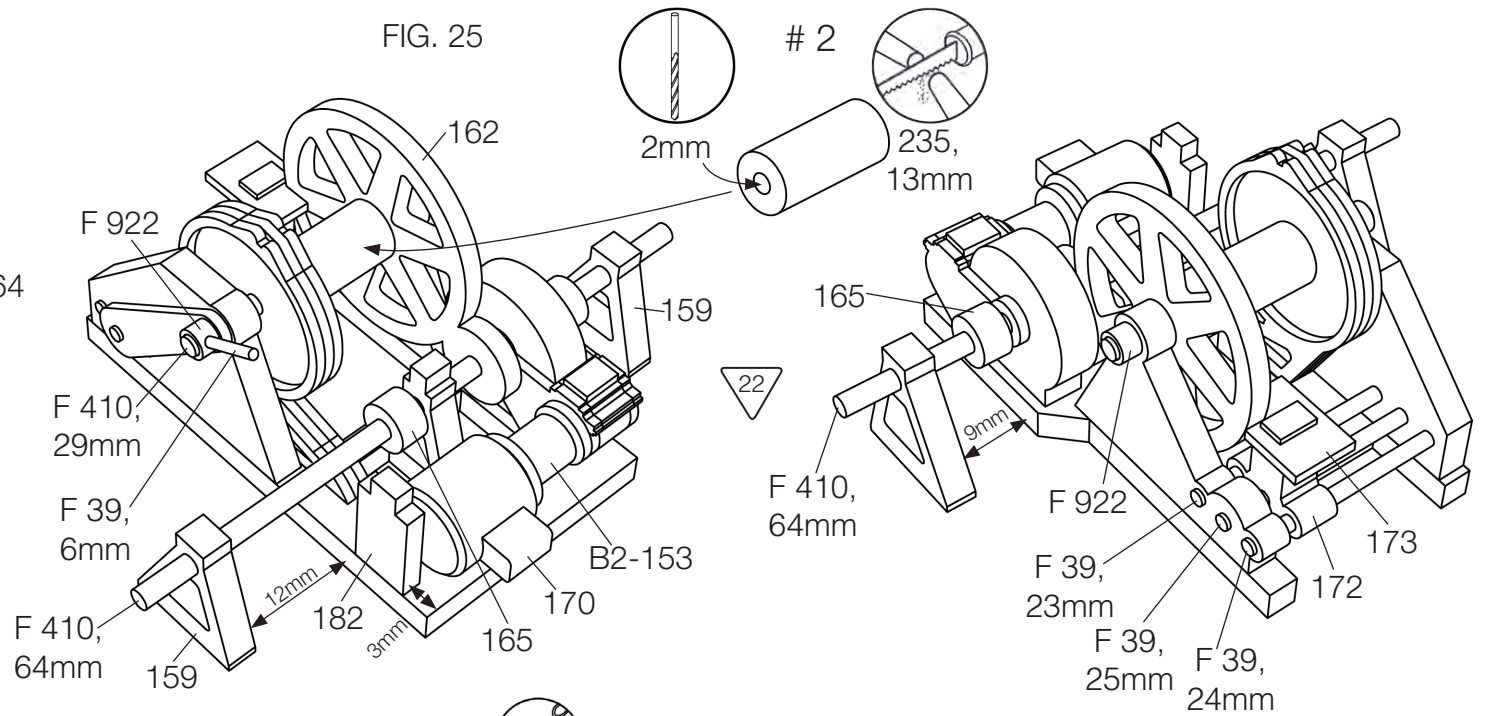
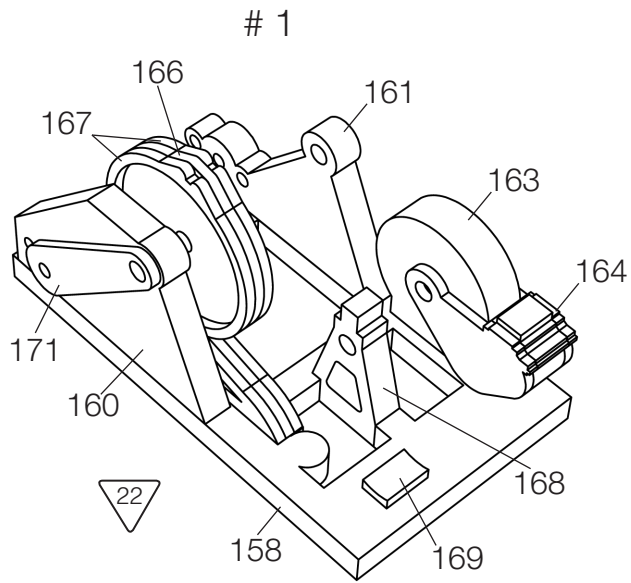
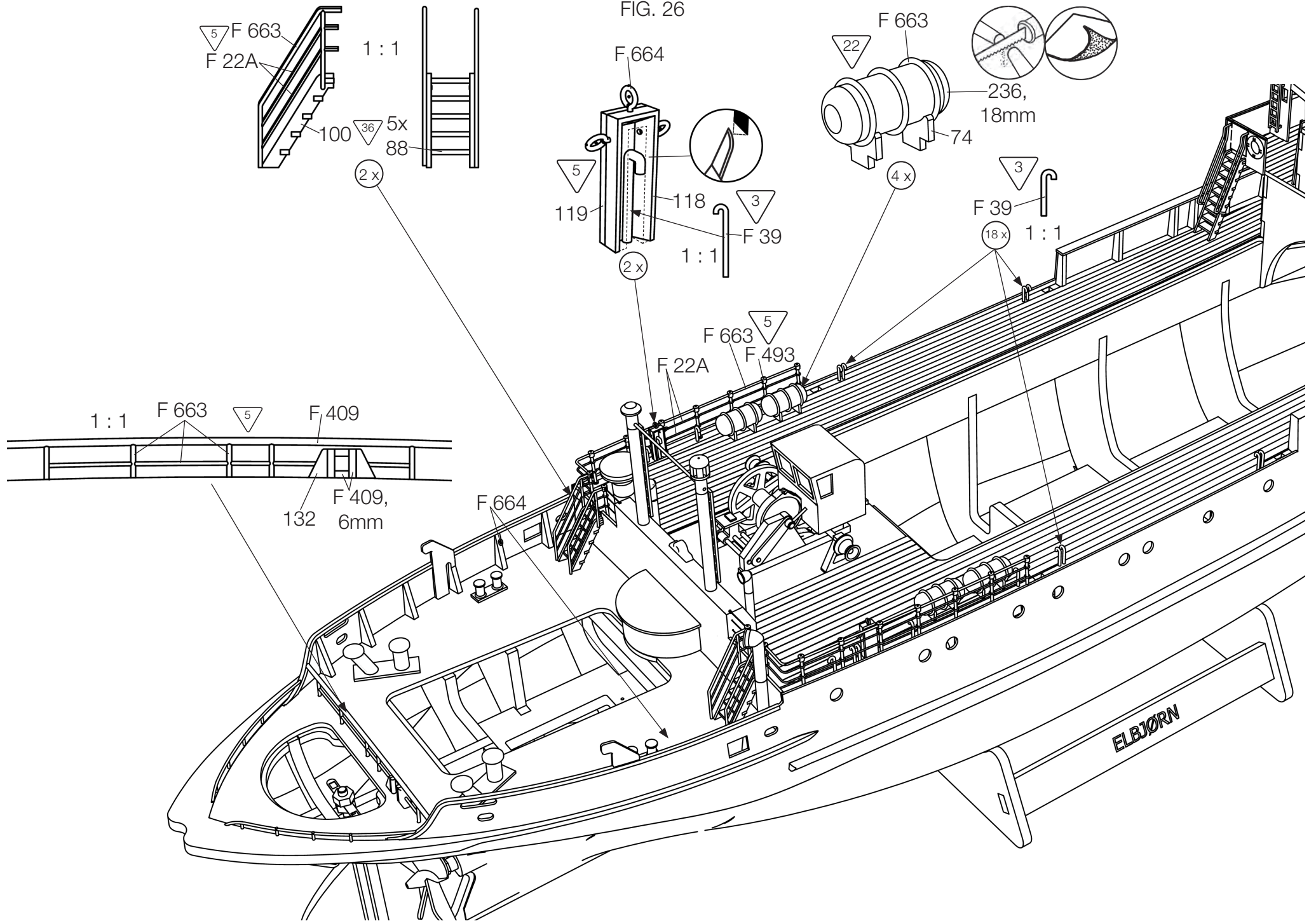
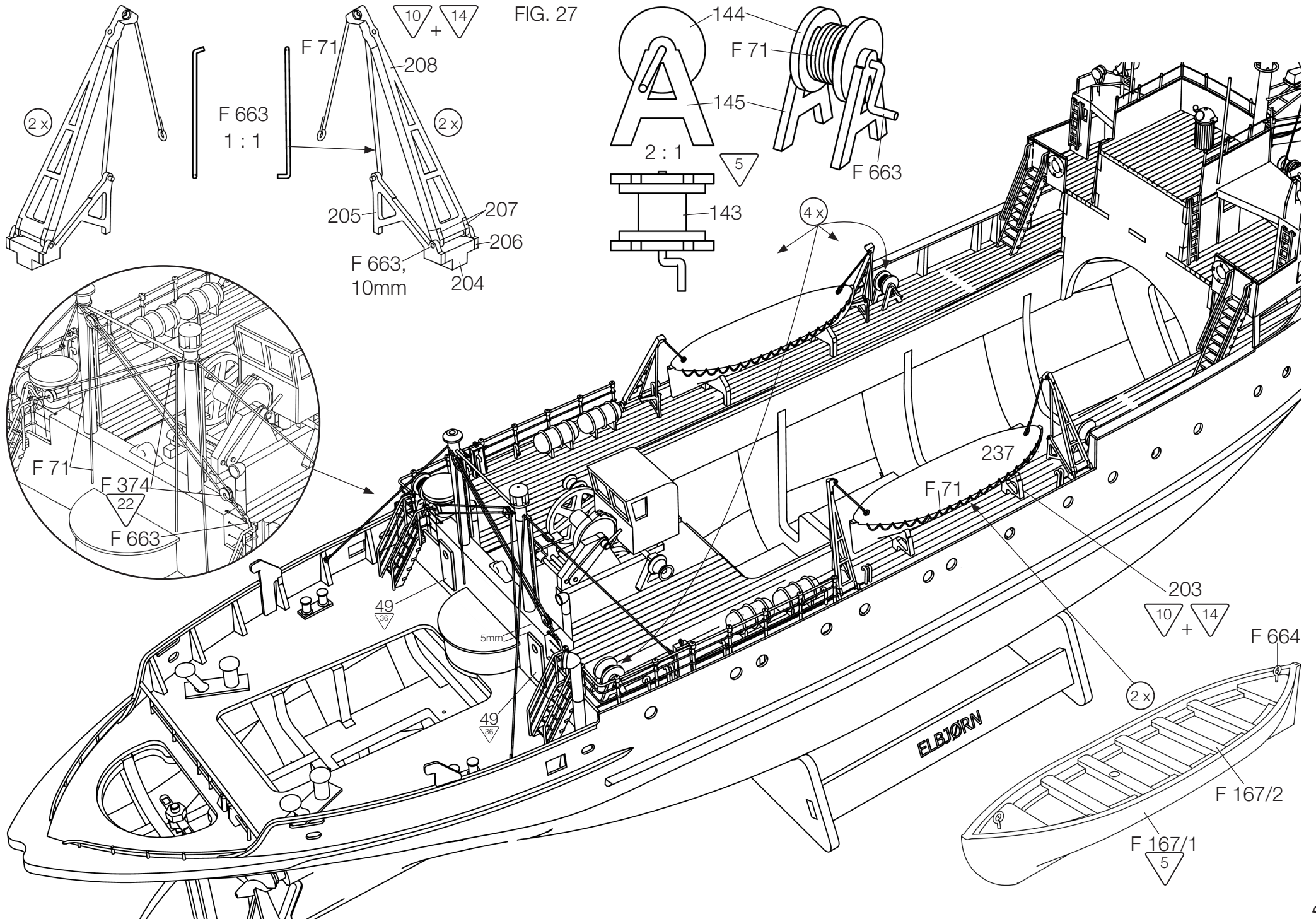


FIG. 26





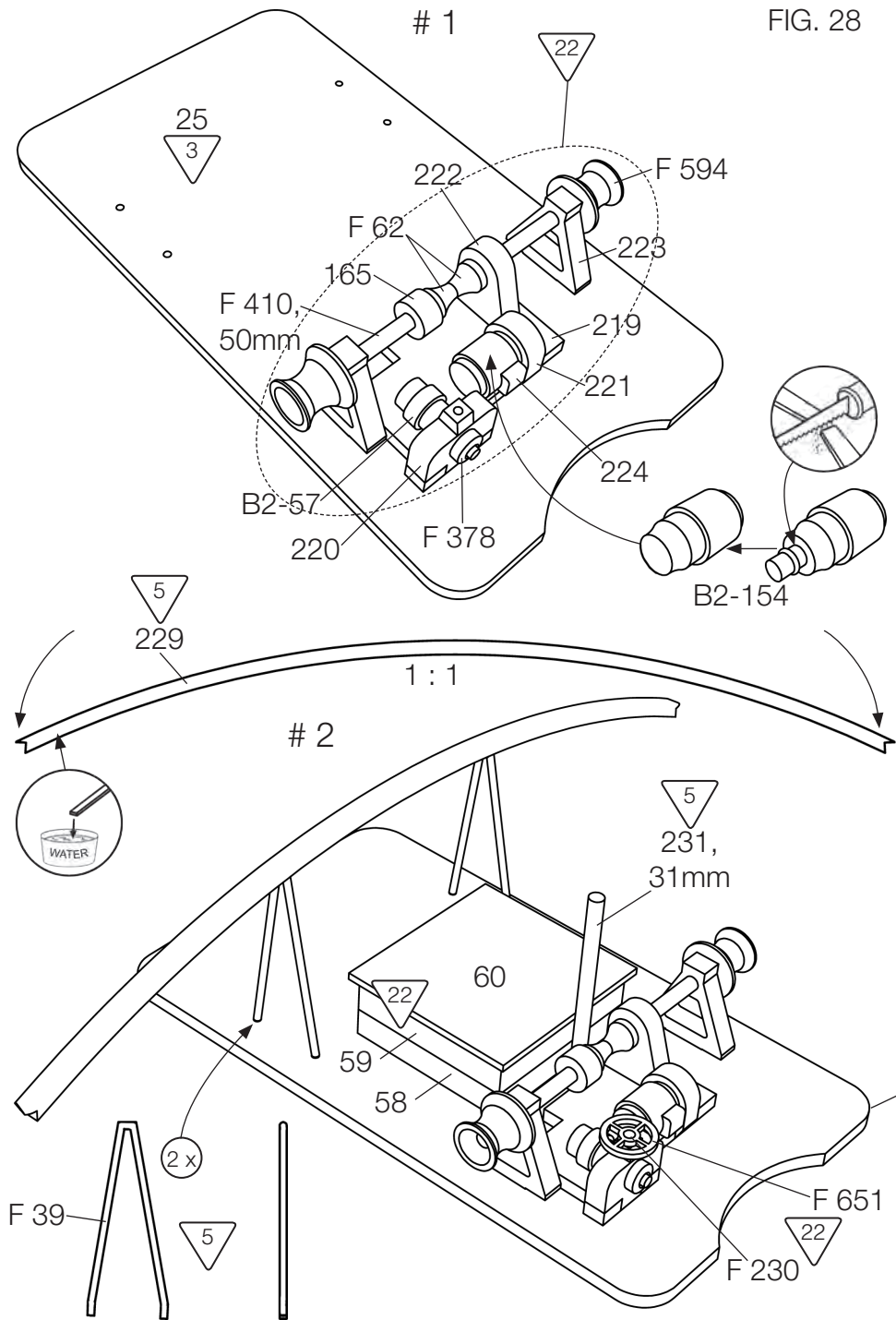


FIG. 28

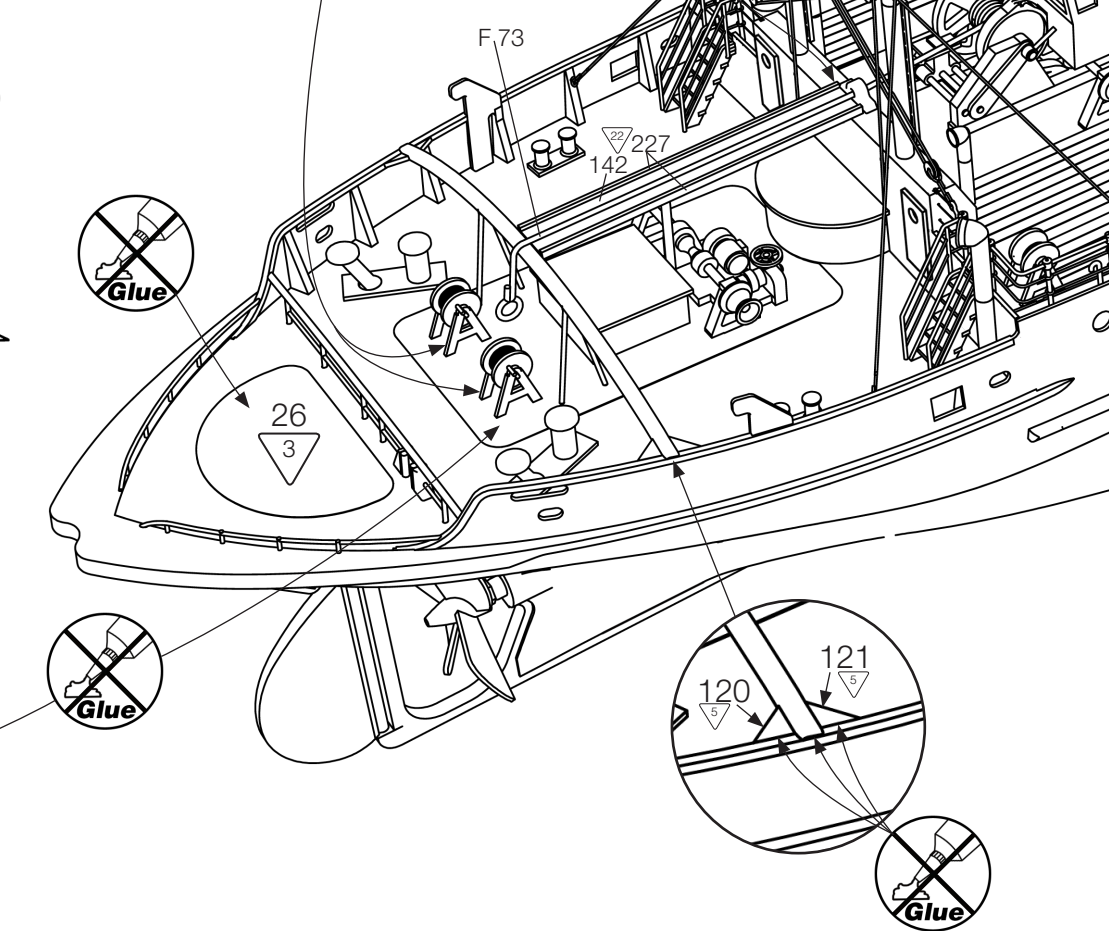
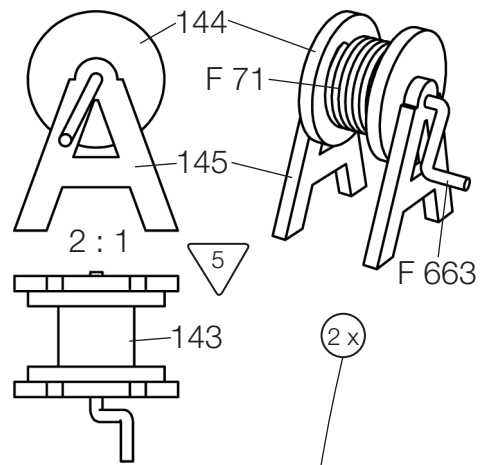
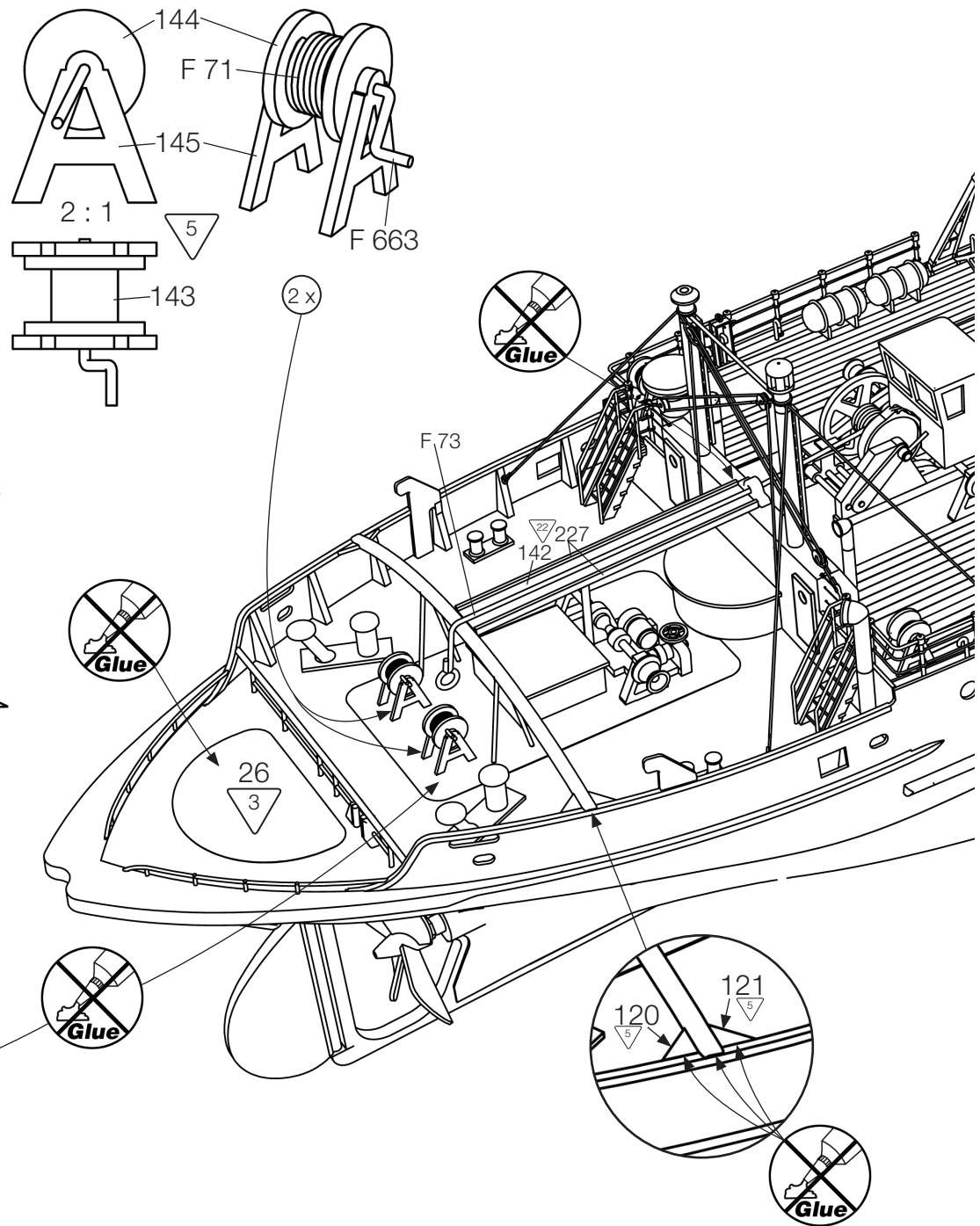


FIG. 29

