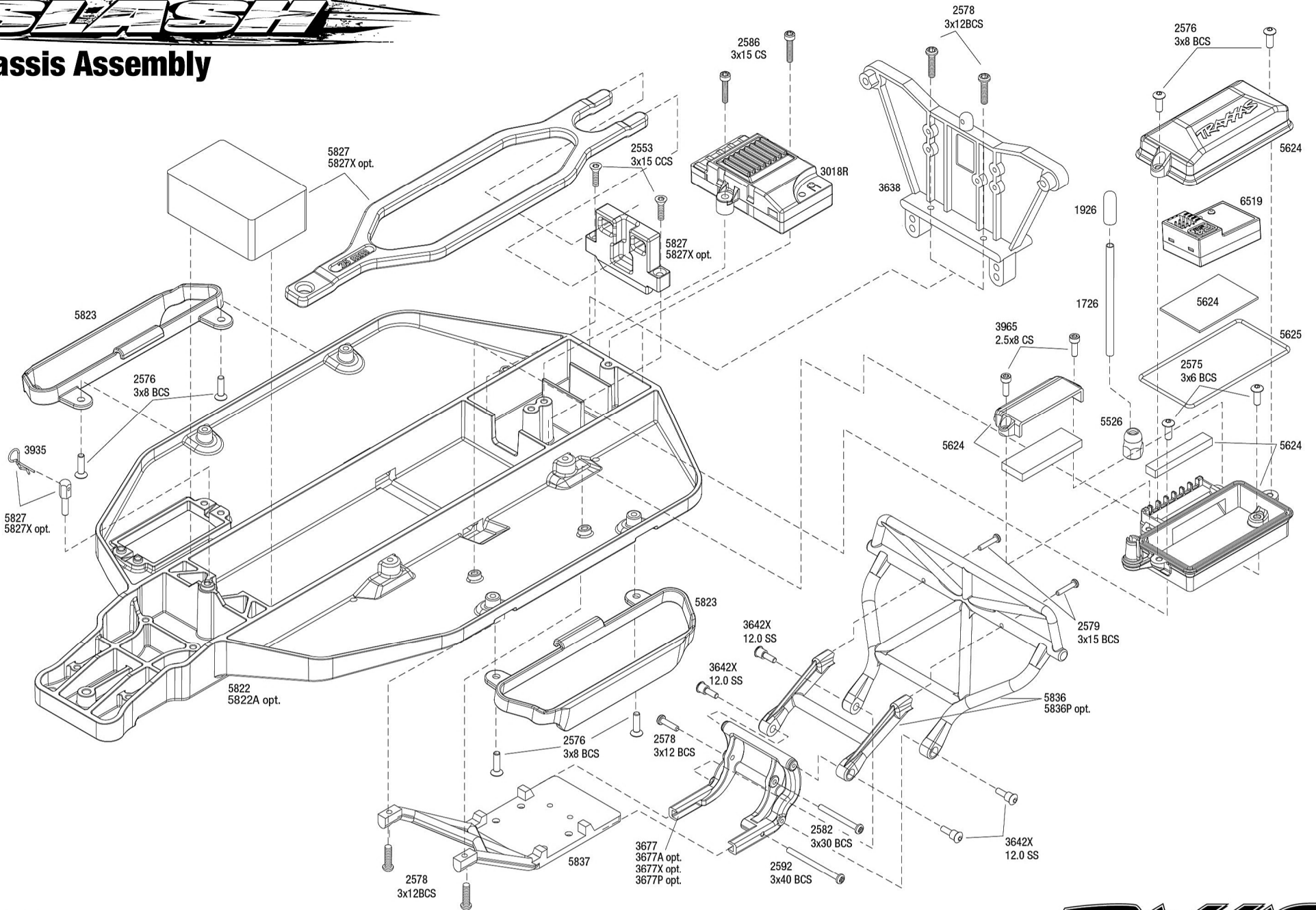




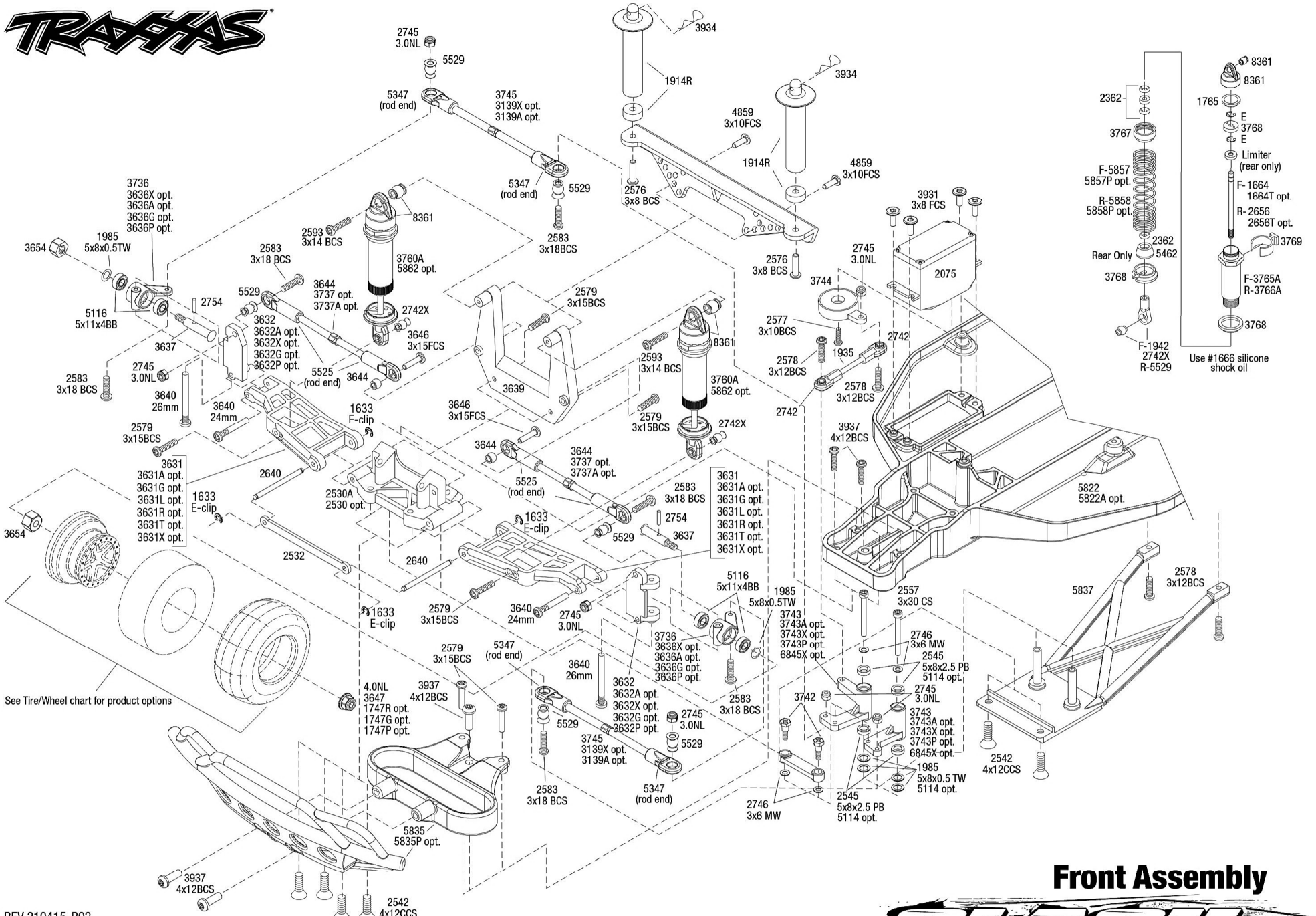
# Chassis Assembly



REV 210415-R02  
Specifications on this page are subject to change without notice. Every attempt has been made to ensure the accuracy of this drawing; however, Traxxas cannot be held responsible for typographical or other errors.

See Parts List for a complete listing of optional accessories.





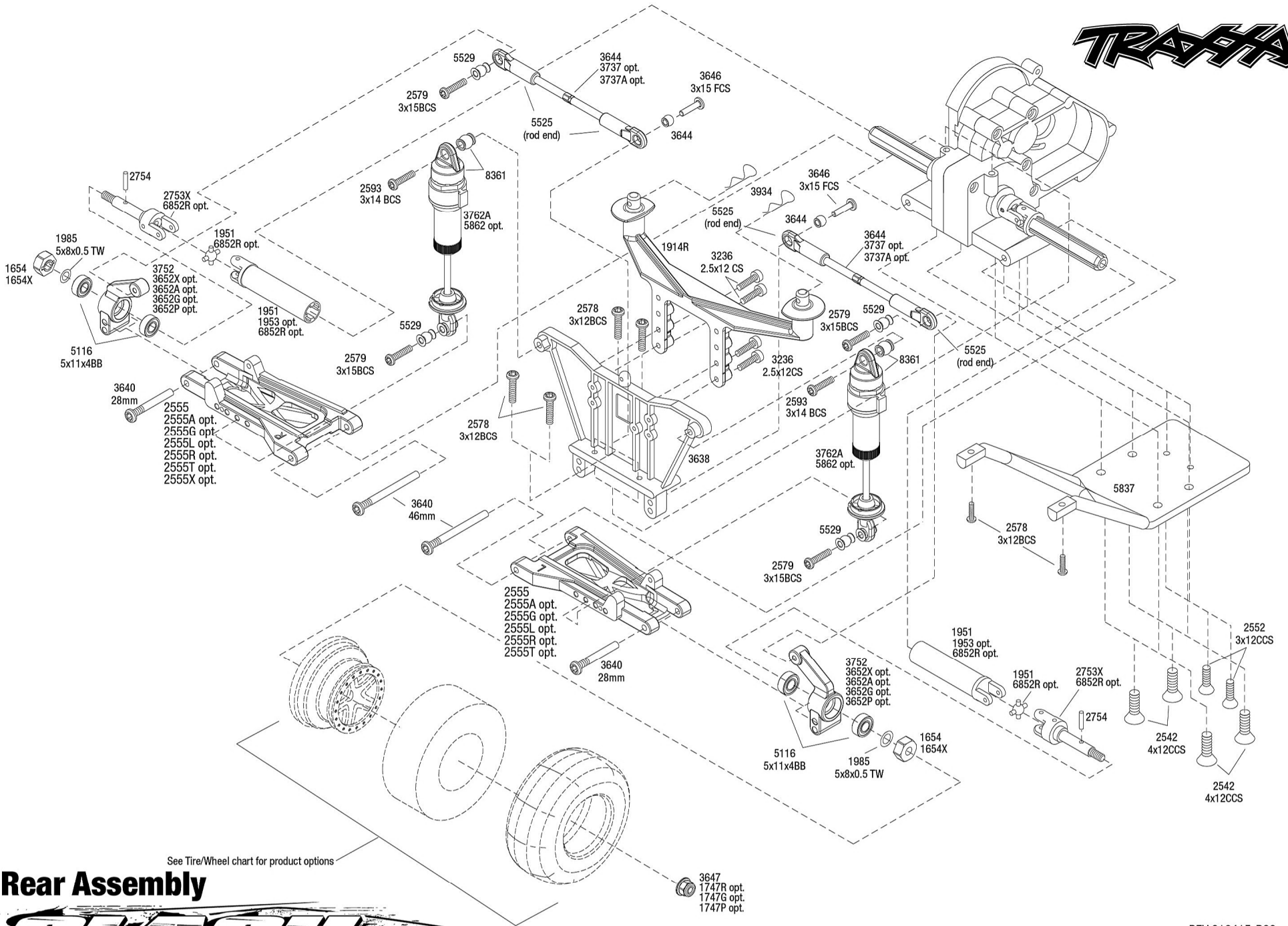
See Tire/Wheel chart for product options

REV 210415-R02  
 Specifications on this page are subject to change without notice. Every attempt has been made to ensure the accuracy of this drawing; however, Traxxas cannot be held responsible for typographical or other errors.

See Parts List for a complete listing of optional accessories.

# Front Assembly





See Tire/Wheel chart for product options

# Rear Assembly



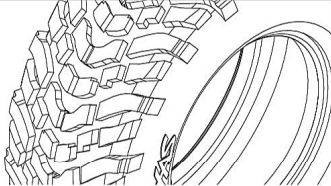
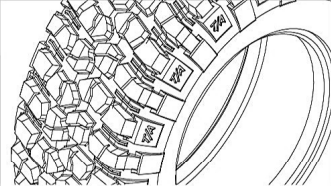
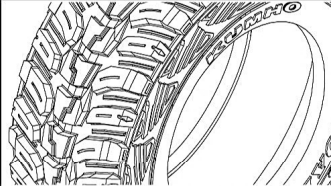
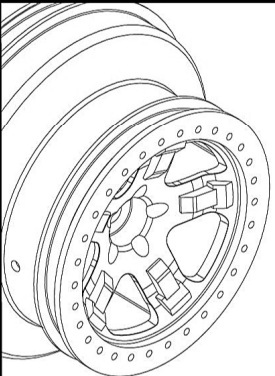
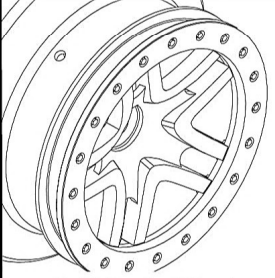
See Parts List for a complete listing of optional accessories.

Specifications on this page are subject to change without notice. Every attempt has been made to ensure the accuracy of this drawing; however, Traxxas cannot be held responsible for typographical or other errors.



# Wheel and Tire Chart



		 <b>Traxxas SCT Tires with Foam Inserts</b>		 <b>BFGoodrich® Mud Terrain™ T/A® Tires with Foam Inserts</b>		 <b>Kumho Road Venture MT tires with Foam Inserts</b>		
		5871	S1 Ultra-Soft Racing Compound 5871R	6871	S1 Ultra-Soft Racing Compound 6871R	6870	S1 Ultra-Soft Racing Compound 6870R	
Wheels*		Assembled Wheels and Tires		Assembled Wheels and Tires		Assembled Wheels and Tires		
 <b>Traxxas SCT Wheels</b>	Satin Beadlock/ Satin Wheel - Slash Rear or Slash 4X4 Front/Rear	5872	5873†	-	-	-	-	
	Satin Beadlock/ Satin Wheel - Slash Front	5874	5875	-	-	-	-	
	Red Beadlock/ Satin Wheel - Slash Rear or Slash 4X4 Front/Rear	5872A	5873A	5873R	=	=	=	
	Red Beadlock/ Satin Wheel - Slash Front	5874A	-	-	-	-	-	
	Black Beadlock/ Satin Wheel - Slash Rear or Slash 4X4 Front/Rear	5872X	5873X	-	5878	-	5880X	
	Black Beadlock/ Satin Wheel - Slash Front	5874X	5875X	-	-	-	5881X	
	Red Beadlock/ Chrome Wheel - Slash Rear or Slash 4X4 Front/Rear	5868	-	-	5867	-	-	
	Red Beadlock/ Chrome Wheel - Slash Front	5870	-	-	5869	-	-	
	Green Beadlock/ Chrome Wheel - Slash Front	5866	-	-	5865	-	-	
	Green Beadlock/ Chrome Wheel - Slash Rear or Slash 4X4 Front/Rear	6875	-	-	6876	-	-	
 <b>Split Spoke Wheels</b>	Orange Beadlock/ Black Wheel - Slash Front	5870X	5864	-	-	-	-	
	Orange Beadlock/ Black Wheel - Slash Rear or Slash 4X4 Front/Rear	5868X	5863†	5863R†	-	-	-	
	Black Beadlock/ Satin Wheel - Slash Rear or Slash 4X4 Front/Rear	6872	-	-	6873†	6873X	6874	6874R
	Black Beadlock/ Satin Wheel - Slash Front	5876	-	-	5877	-	5882	5882R
	Red Beadlock/ Chrome Wheel - Slash Rear or Slash 4X4 Front/Rear	6872A	-	-	6873A	6873R	-	-
	Red Beadlock/ Chrome Wheel - Slash Front	5876A	-	-	5877A	5877R	-	-
	Green Beadlock/ Chrome Wheel - Slash Rear or Slash 4X4 Front/Rear Front	6872X	-	-	-	-	-	-
	Satin Beadlock/ Black Wheel - Slash Front	5886	-	-	5885	-	-	-
	Satin Beadlock/ Black Wheel - Slash Rear or Slash 4X4 Front/Rear	5884	-	-	5883	-	-	-
	Blue Beadlock/ Black Wheel - Slash Front	5886A	-	-	5885A	-	-	-
Blue Beadlock/ Black Wheel - Slash Rear or Slash 4X4 Front/Rear	5884A	-	-	5883A	-	-	-	

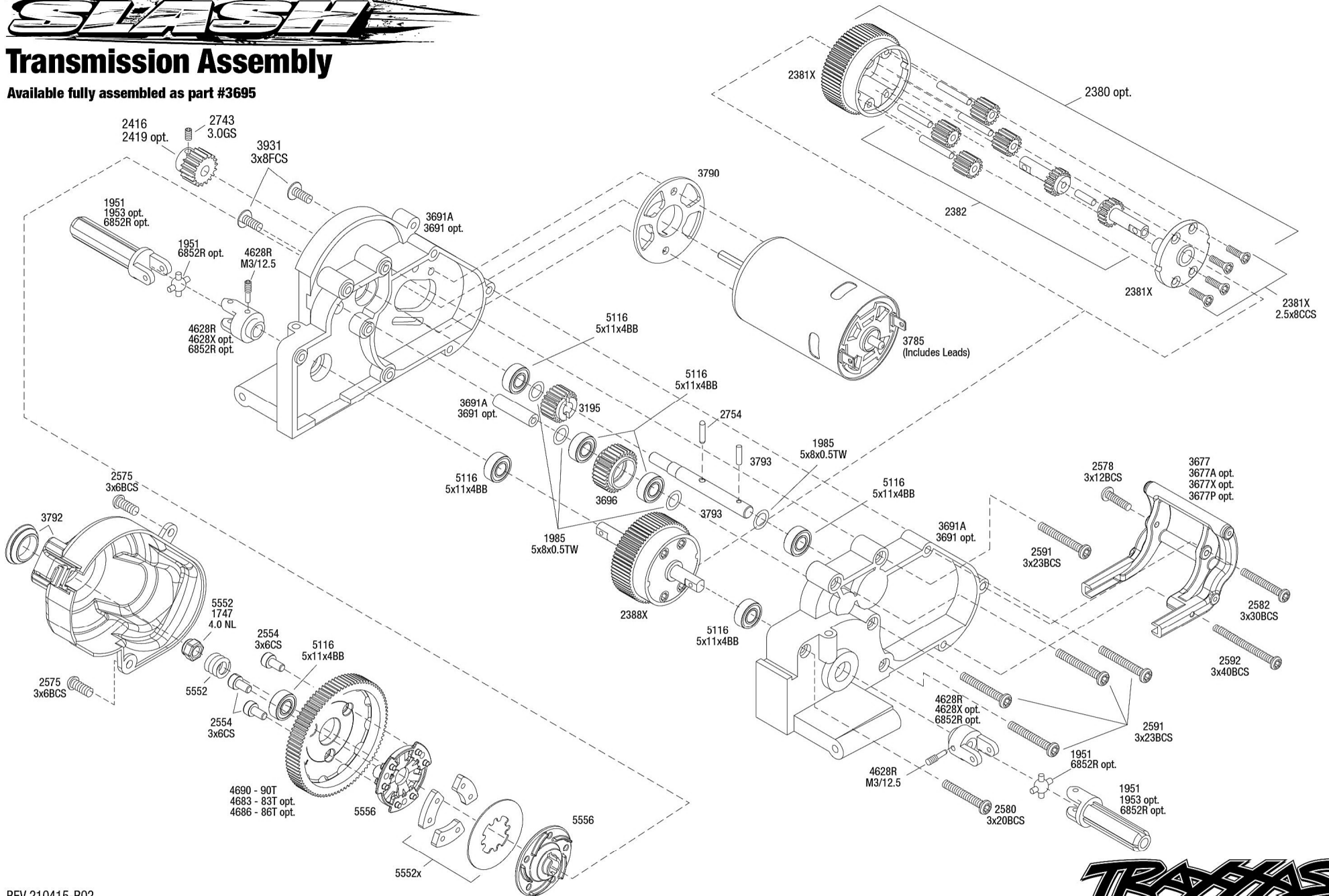
\* Wheels and/or tires sold in pairs  
 †TSM rated





# Transmission Assembly

Available fully assembled as part #3695



REV 210415-R02  
See Parts List for a complete listing of optional accessories.



Specifications on this page are subject to change without notice. Every attempt has been made to ensure the accuracy of this drawing; however, Traxxas cannot be held responsible for typographical or other errors.