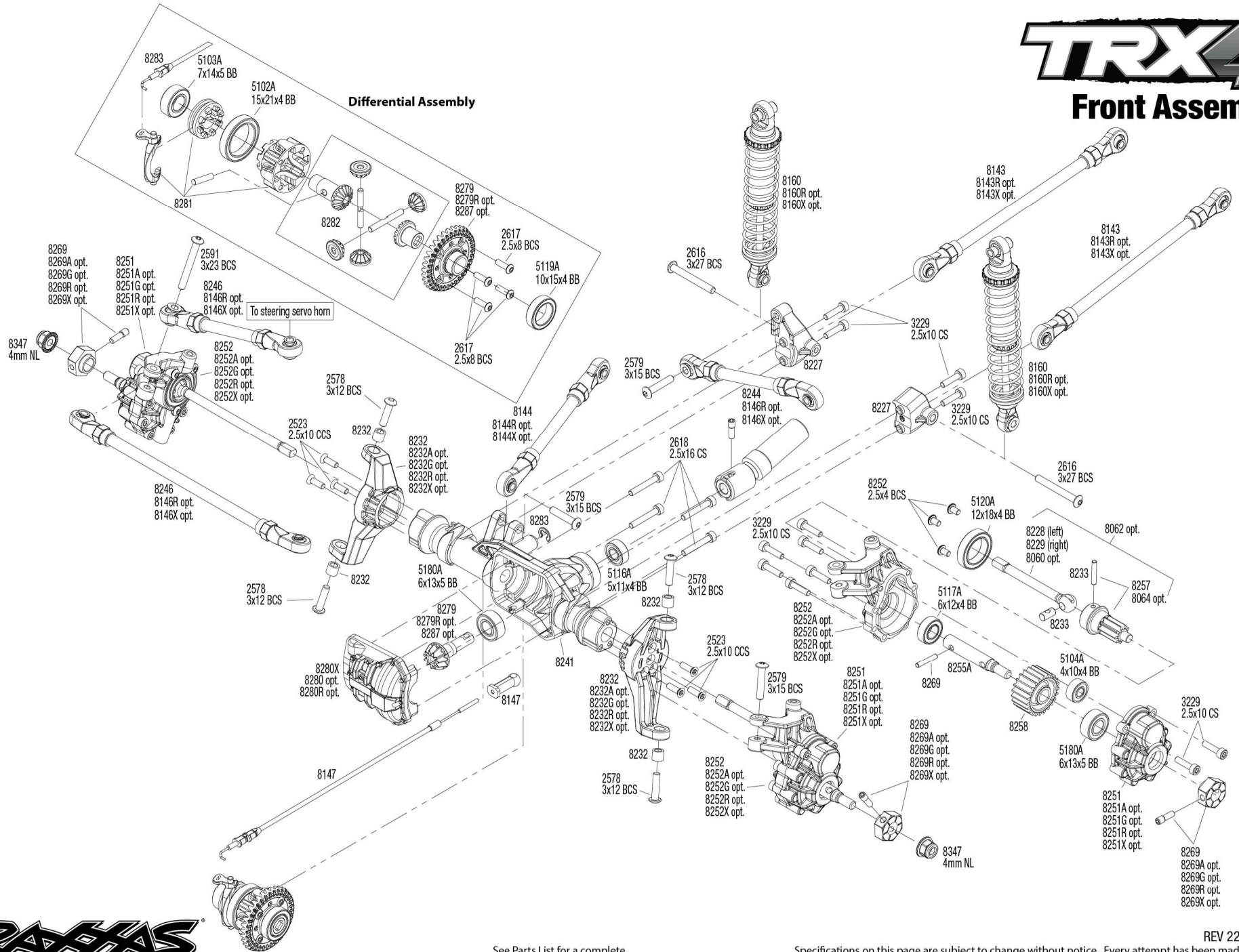






# TRX4<sup>®</sup>

## Front Assembly



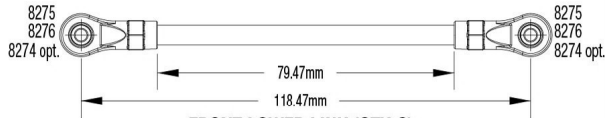
See Parts List for a complete listing of optional accessories.

Specifications on this page are subject to change without notice. Every attempt has been made to ensure the accuracy of this drawing; however, Traxxas cannot be held responsible for typographical or other errors.

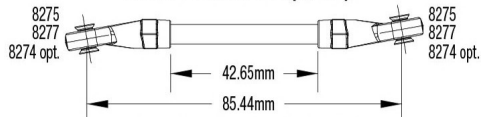
REV 220822-R01



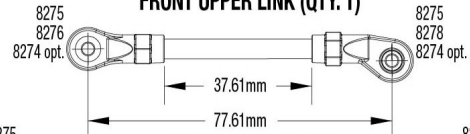
# Link Dimensions



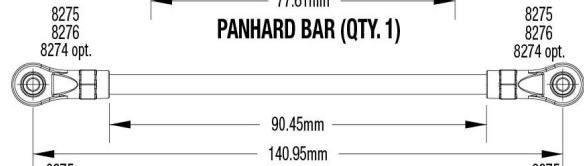
**FRONT LOWER LINK (QTY. 2)**



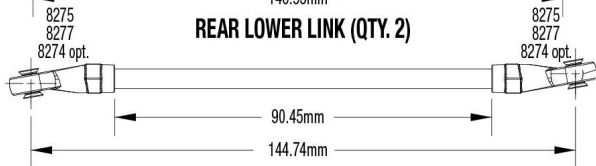
**FRONT UPPER LINK (QTY. 1)**



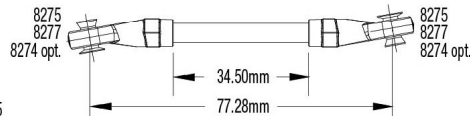
**PANHARD BAR (QTY. 1)**



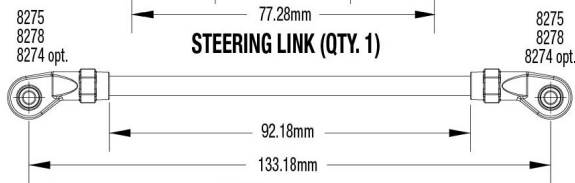
**REAR LOWER LINK (QTY. 2)**



**REAR UPPER LINK (QTY. 2)**



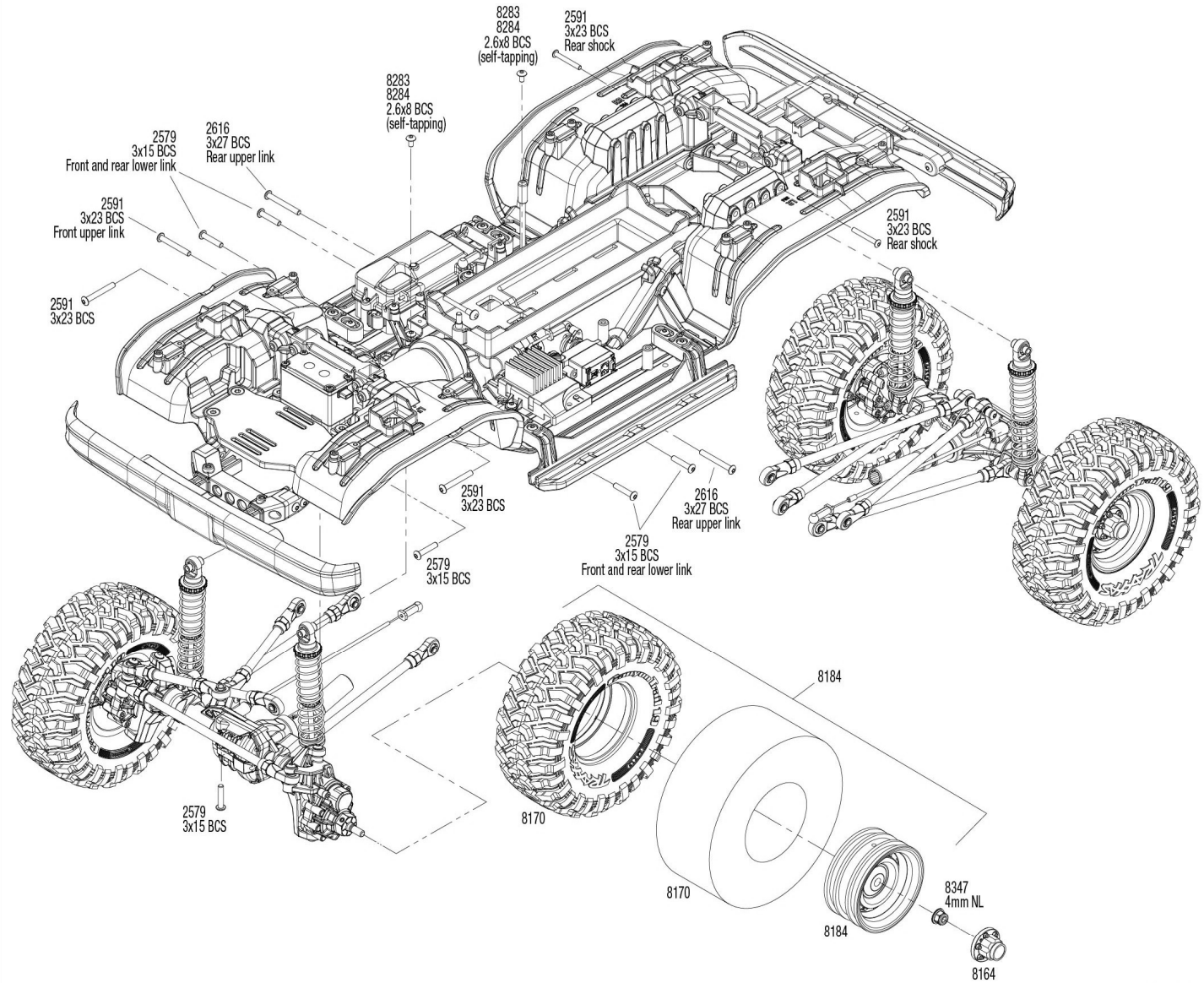
**STEERING LINK (QTY. 1)**



**DRAG LINK (QTY. 1)**



# Modular Assembly

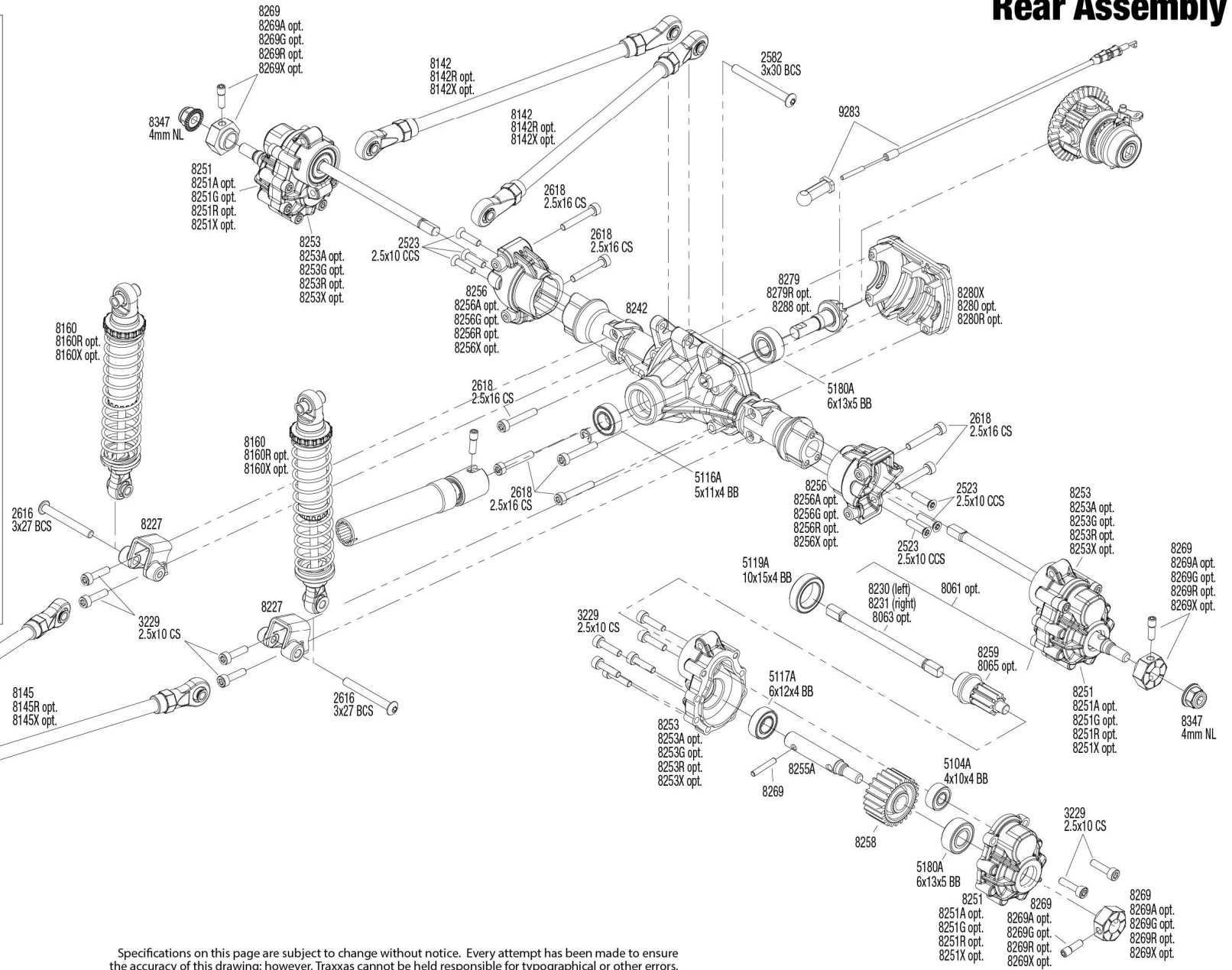
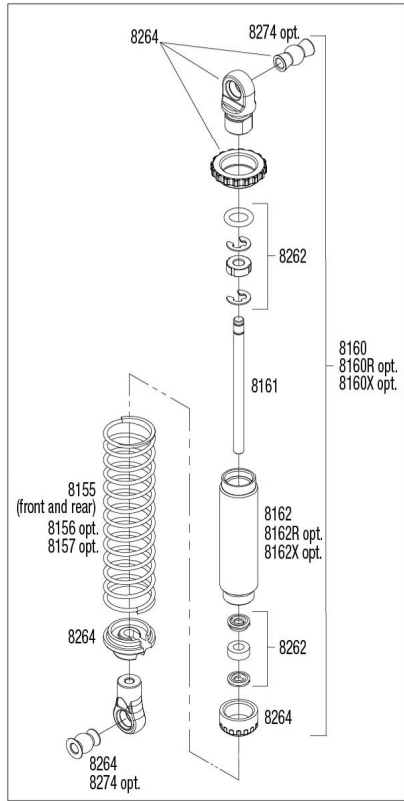


See Parts List for a complete listing of optional accessories.

Specifications on this page are subject to change without notice. Every attempt has been made to ensure the accuracy of this drawing; however, Traxxas cannot be held responsible for typographical or other errors.

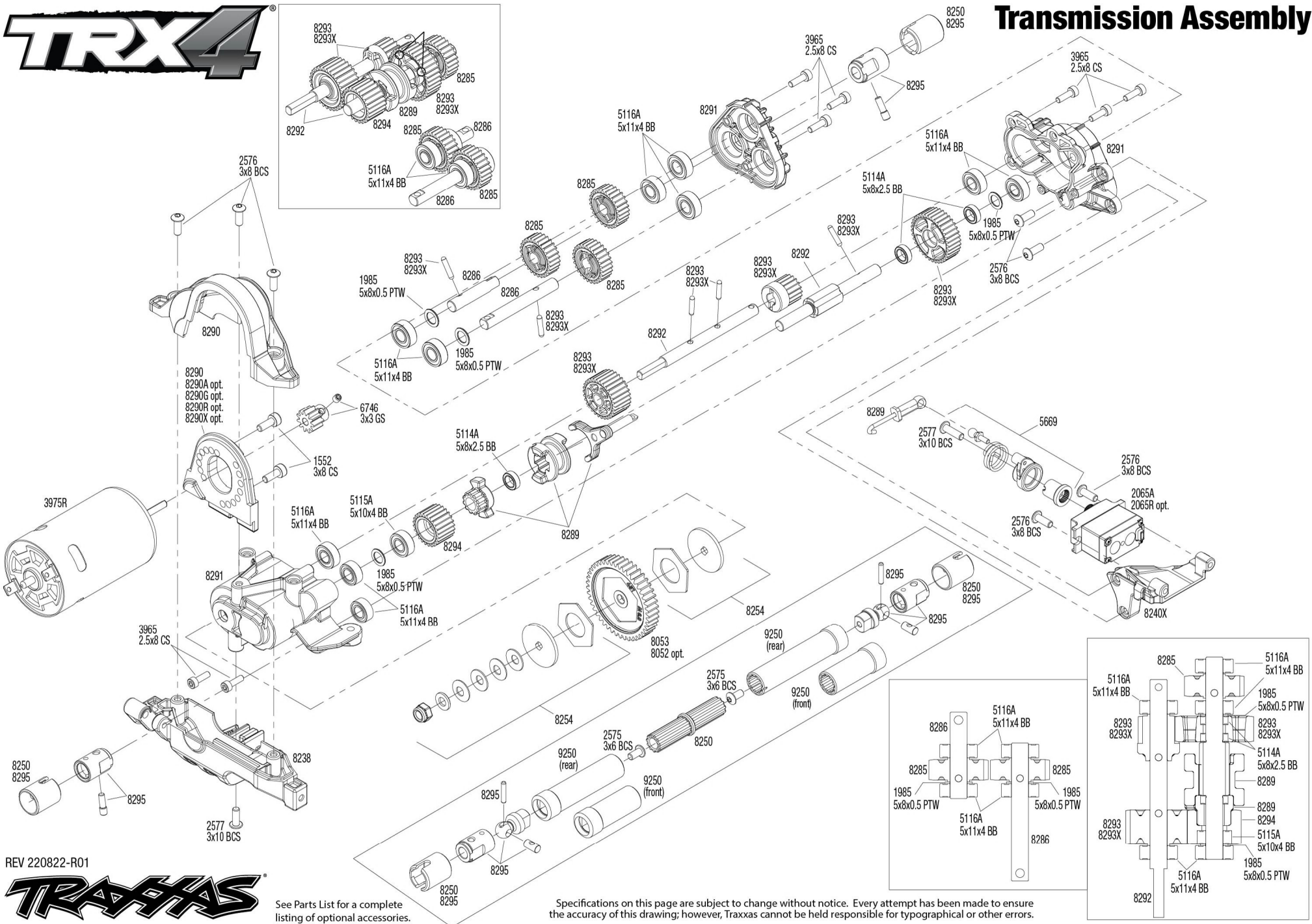


### Shock Assembly





# Transmission Assembly



REV 220822-R01



See Parts List for a complete listing of optional accessories.

Specifications on this page are subject to change without notice. Every attempt has been made to ensure the accuracy of this drawing; however, Traxxas cannot be held responsible for typographical or other errors.