

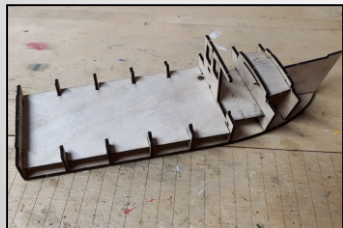
Northumberland Strait 45' Lobster Boat

Waterline kit



HO Scale

Kit includes: 8 traps, 2 marker buoy and 2 crates



Easy interlocking construction



Great detail Includes peel and stick vinyl decals

Additional add on kit (sold separately)
Lower hull kit #1124

Paint and glue not included



OSBORN MODEL KITS
www.osbornmodelkits.com

1123

Northumberland Strait 45' Lobster Boat

Waterline kit



The Northumberland Strait lobster boat can be seen all up and down the coast of the Northumberland Strait in the Gulf of St. Lawrence. Easily recognized by their pronounced flare in the bow area to help knock down the short but steep waves often present in the Northumberland Strait. The fore and aft lines of the hull are straight and the bottom is relatively flat aft of amidships. The end result of this design is an easily-driven hull capable of semi-planing speeds. This makes the boat well suited for this area of fishing. Boats range in size from 42' to 45' in length and a beam between 12' and 14'. The boats are generally powered by 350-600hp diesel engines giving them speeds of around 20-25 knots. Construction methods have changed over the decades from wood over to fibreglass giving them a longer life span and require less maintenance.

The kit incorporates many features of the typical Northumberland Strait boat design but is not modelled after a specific hull or builder. Time period would be anywhere from the mid 70's to current.

Typical Specifications

Length	42'-45'
Beam	12'-14'
Draft	3' 6" - 4'
Freeboard Bow	6' - 7'
Freeboard Stern	3' 6" to 4' 6"
Power	Diesel 350-600hp
Prop	24"-26" fixed pitch
Crew	3

About building this kit

Using a hobby knife carefully remove parts as needed from the trees. **Do not force parts into position**, you will find that most of the parts will interlock using a friction fit to hold in place. We do however suggest using a white glue that dries transparent to securely hold the parts into position.


Recommended Tools:

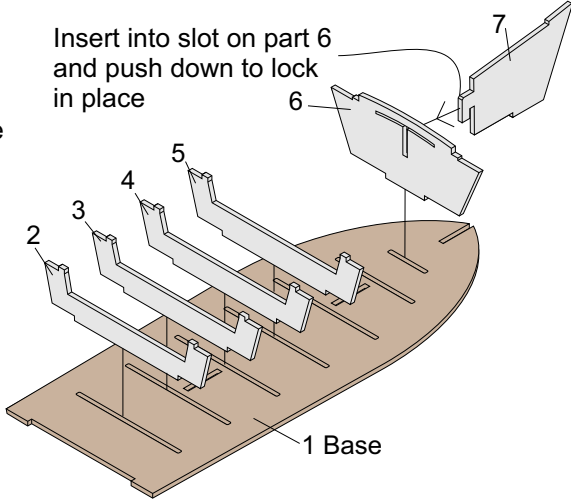
Hobby Knife, Scissors, White Glue, Tweezers, Clamps, 120g sandpaper, Masking tape, side cutters.

 Indicates do not glue part or assembly  Clamp part  Sand


Paint colour  White  Orange  Red  Brown  Silver  Green  Leave natural
Colours are not matched to any specific brand and are meant as a guide only

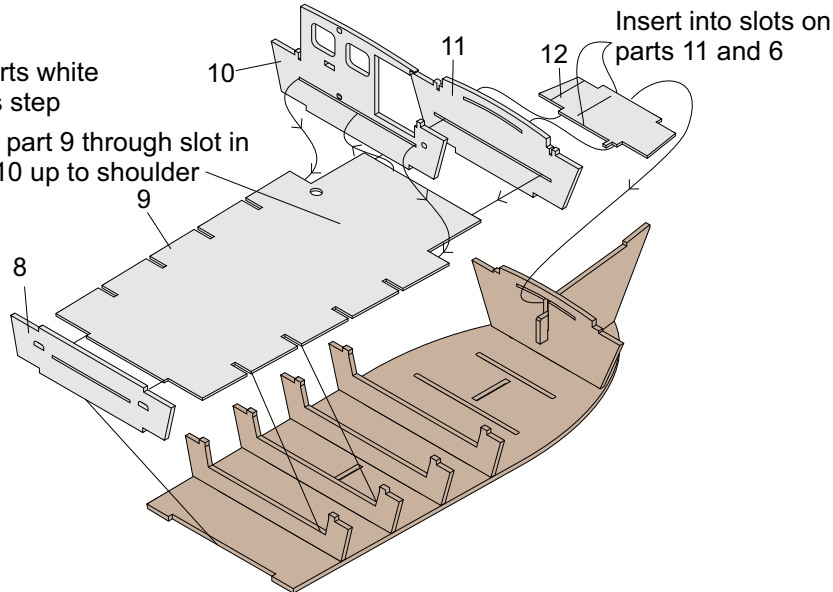
Step 1 Hull frames

 **Note:**
All parts white in this step



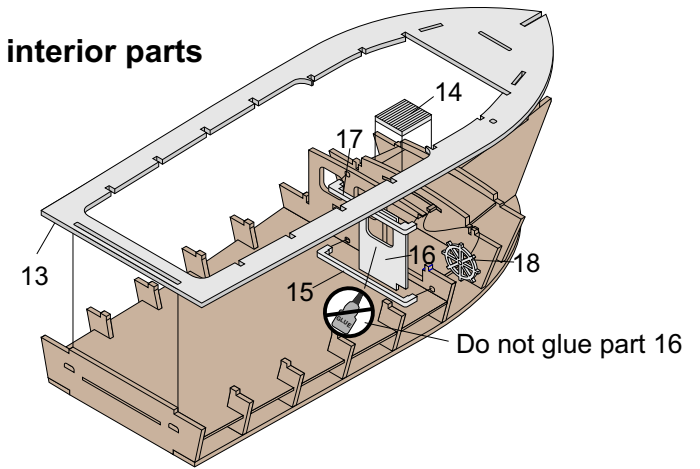
Step 2

 **Note:**
All parts white in this step
Slide part 9 through slot in part 10 up to shoulder




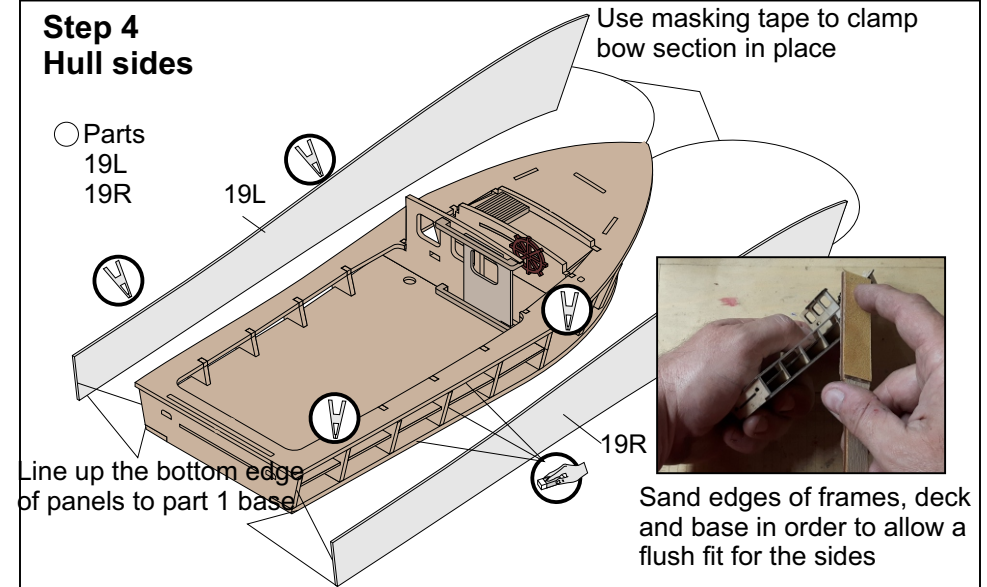
Step 3 Deck and interior parts

 Parts
13
15
16
17
 Parts
14
18




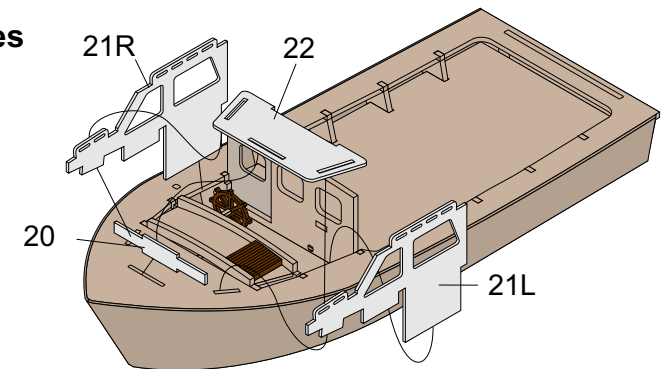
Step 4 Hull sides

 Parts
19L
19R



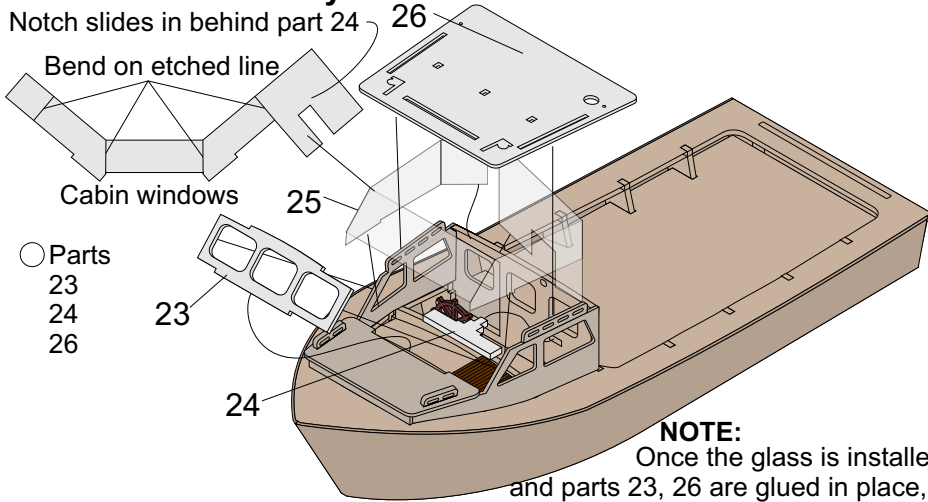
Step 5 Cabin sides

 Parts
20
21L
21R
22



Step 6 Cabin final assembly

Notch slides in behind part 24

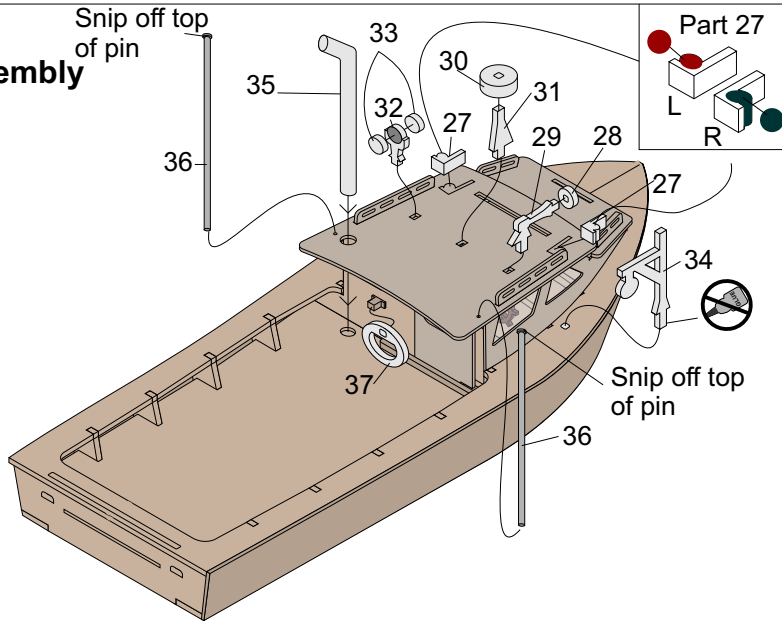


- Parts
- 23
- 24
- 26

Step 7 Final assembly

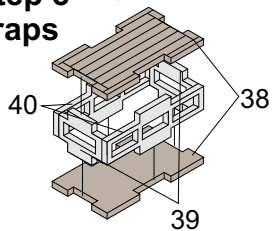
Snip off top of pin

- Parts
- 27
- 30
- 31
- 36
- Parts
- 28
- 29
- 32
- 33
- 34
- Parts
- 37



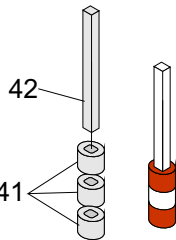
Step 8 Traps

● Leave natural



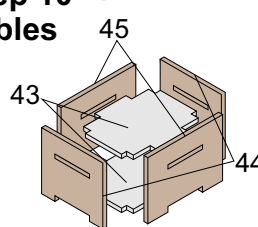
Step 9 Buoy

- Parts
- 41
- 42
- Paint
- 41



Step 10 Tables

● Leave natural

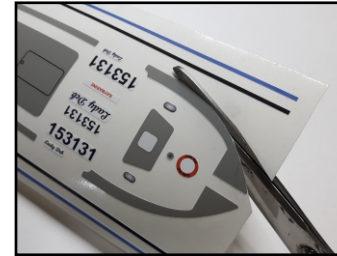


Applying decals

Tools needed to apply decals

- Scissors
- Utility knife

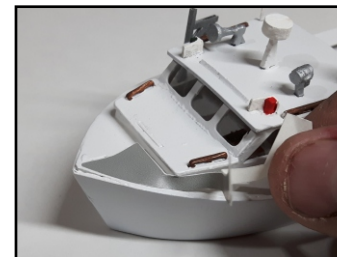
Make sure your hands are clean before applying decals. Avoid contact with the adhesive as this can cause the decal to lose some of its adhesion. Decals will adhere better to a smooth clean surface so we do recommend painting your model for best results.



Cut out each decal as close to the edge as possible. Only cut out decals as needed.



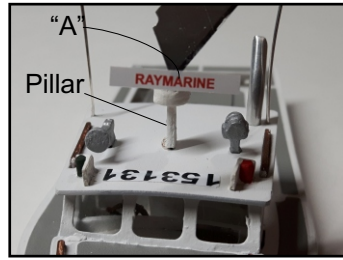
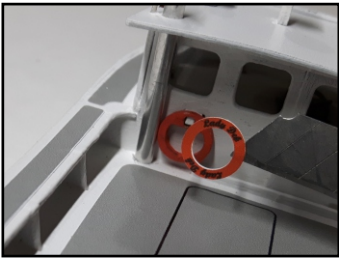
For the large decals, remove about a 1/4" of the backing and cut off with scissors.



Place the exposed section on the surface making sure that your decal is properly aligned on the part. Peel and cut backing off in stages.



Slowly remove the backing making sure the decal is staying aligned on the surface.

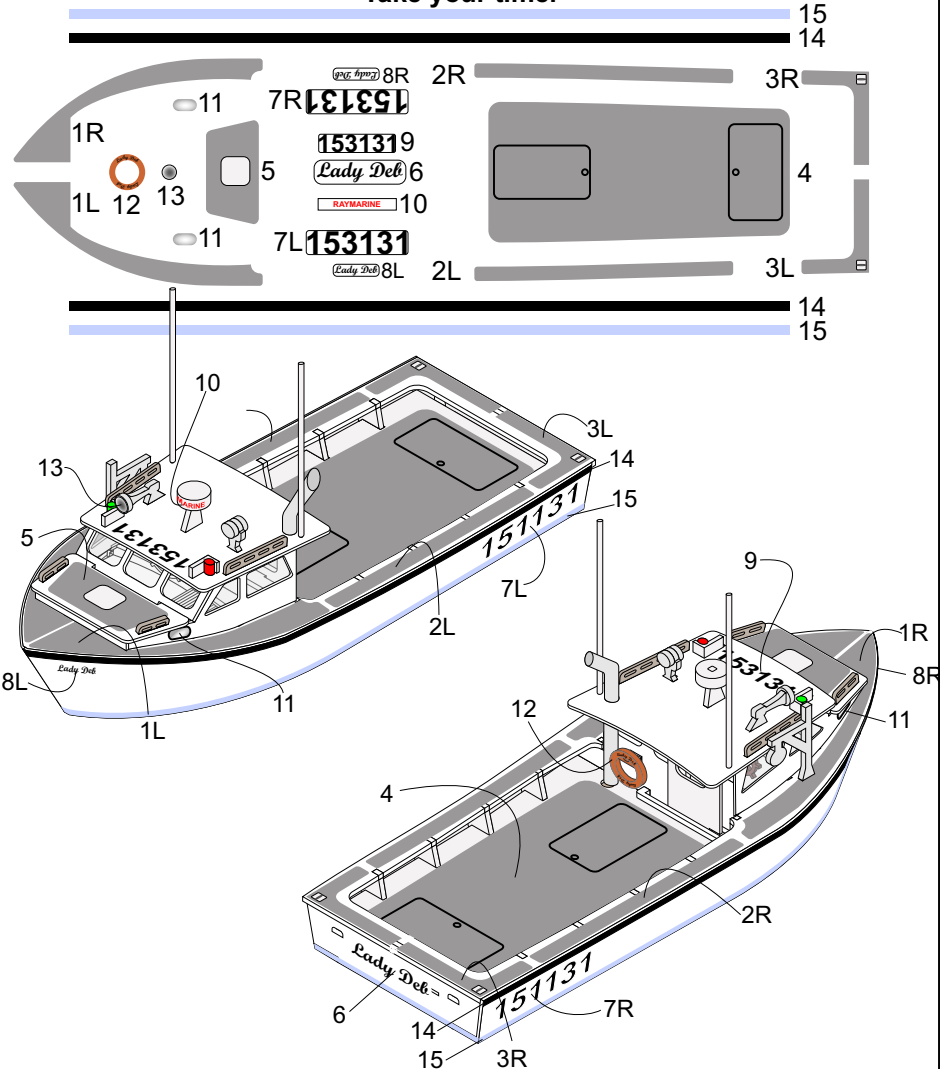


For small decals you may use a small utility knife to remove them from the backing and place in position.

Line the "A" up with the pillar in order to find the centre then wrap around

Decals should be placed into position in numerical order. You will need to remove the hoist on the right side to apply the side decal.

Take your time.



Suggested ideas for fitting out and displaying your boat

The following pictures are of the model finished from what is included in the kit. We suggest stacking the traps and work tables in a "T" shape on the deck. Lean the markers up against the traps and add a bit of brown thread (not included) rolled up as a coils and place beside the traps. Place your model beside a wharf or dock and add some figures working to get ready to go fishing. The scene is only limited to your imagination.



Also Available
(sold separately)
Lower hull kit #1124

Kit includes:

Vacuumed form lower hull, Rudder and propeller, Mounting clips, Vinyl pin stripping, Cradle/stand, Two ladders.



Using the lower hull kit, make a scene somewhere on shore or in a boat yard with people doing maintenance. It's not uncommon site on the East Coast to see a boat in a driveway at a residential house. The kit also makes a great display to add to a model collection.