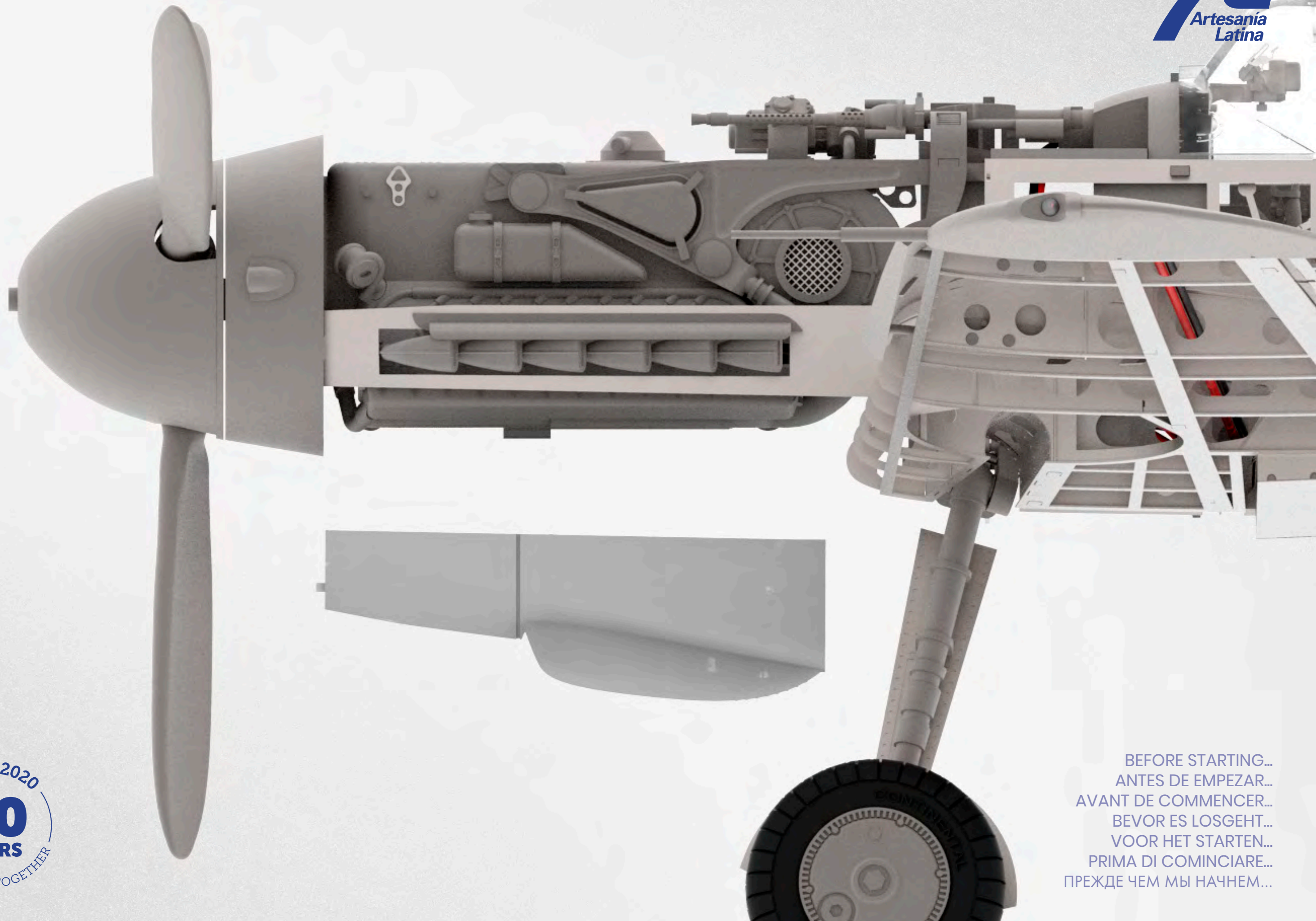


Messerschmitt **BF 109**



BEFORE STARTING...
ANTES DE EMPEZAR...
AVANT DE COMMENCER...
BEVOR ES LOSGEHT...
VOOR HET STARTEN...
PRIMA DI COMINCIARE...
ПРЕЖДЕ ЧЕМ МЫ НАЧНЕМ...

SIDE CUTTER PLIERS

Alicate de corte
Pince coupante
Seitenschneider
REF. 27212



NEEDLE-NOSE PLIERS

Alicate puntiagudo
Pince à Long Bec
Spitzzange
REF. 27213



U-SHAPE SCISSORS

Tijera cortahilo
Ciseaux coupe-fil
Fadenschere
REF. 27060





PROFESSIONAL TWEEZERS

Pinza profesional
Pince professionnelle
Professionelle Pinzette
REF. 27209



45 IN 1 SCREWDRIVER SET

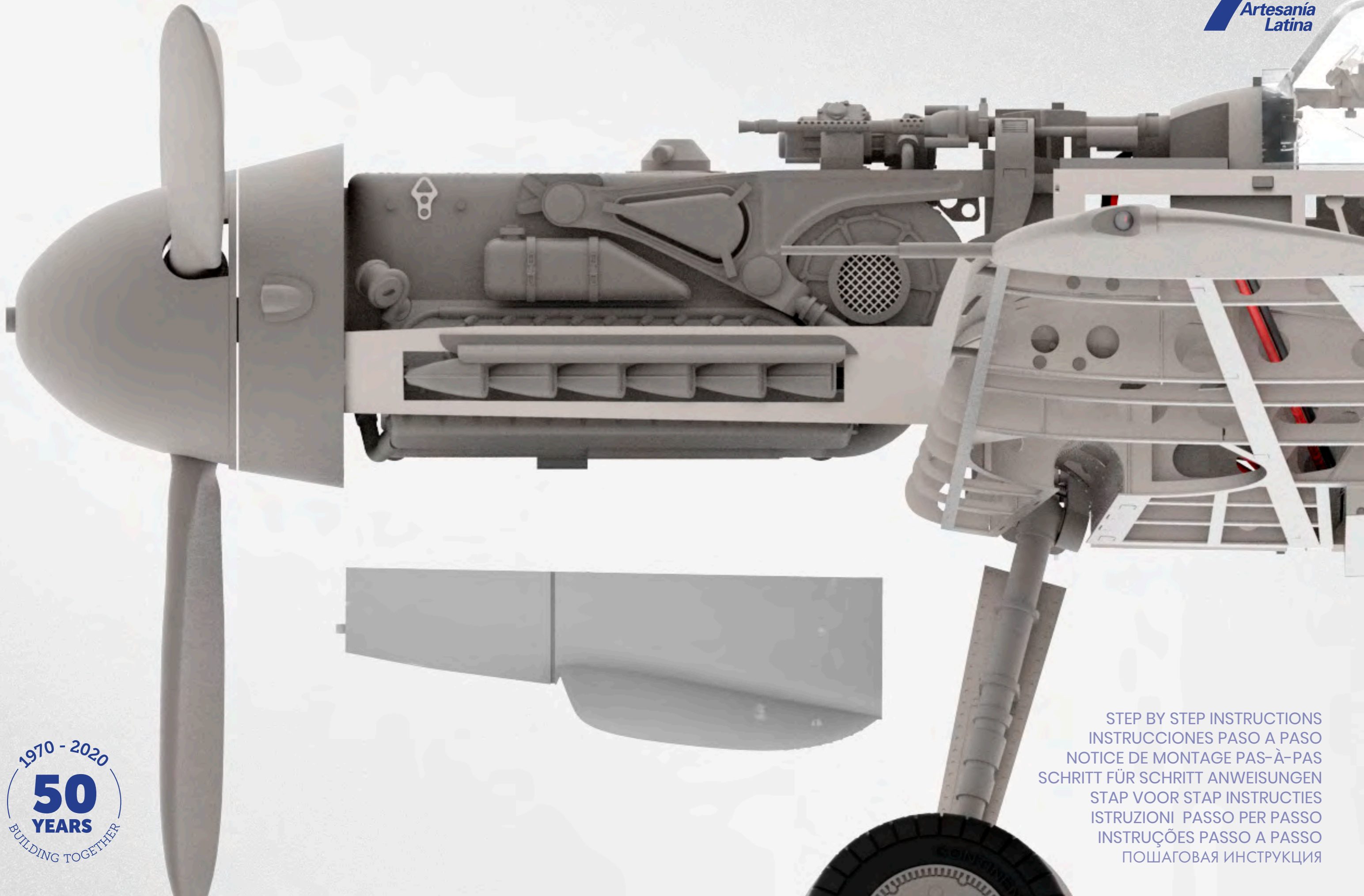
Set de destornilladores 45 en 1
Jeu de tournevis 45 en 1
45 in 1 Schraubendrehersatz
REF. 27220



MINI DIAMOND FILES

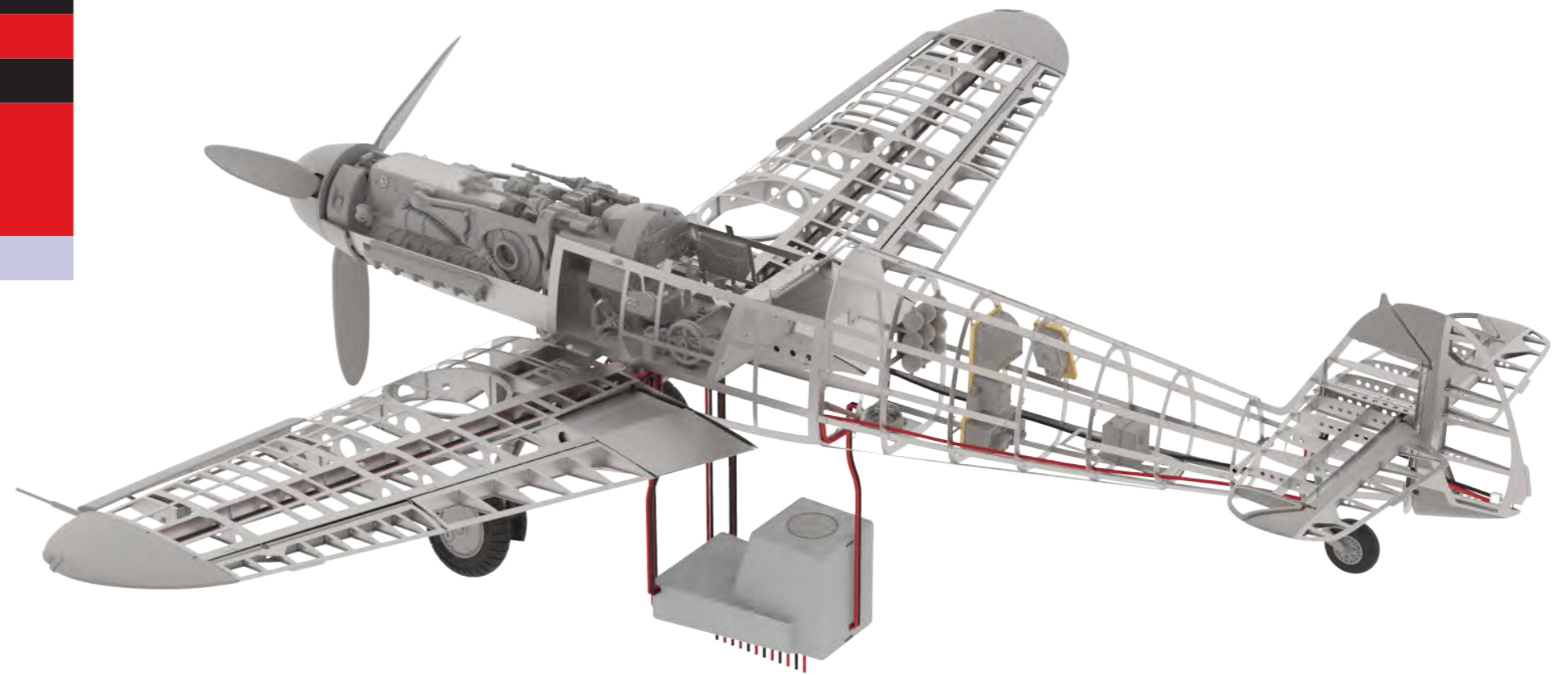
Mini-limas de diamante
Mini-limes diamants
Mini-Diamantfeilen
REF. 27015-3

Messerschmitt **BF 109**



STEP BY STEP INSTRUCTIONS
INSTRUCCIONES PASO A PASO
NOTICE DE MONTAGE PAS-À-PAS
SCHRITT FÜR SCHRITT ANWEISUNGEN
STAP VOOR STAP INSTRUCTIES
ISTRUZIONI PASSO PER PASSO
INSTRUÇÕES PASSO A PASSO
ПОШАГОВАЯ ИНСТРУКЦИЯ

	CABLE IDENTIFICATION	
TAIL LED LED Ø3mm 550mm	Black	TA-1
	Red	TA-2
LEFT WING LED LED Ø3mm 550mm	Black	TB-1
	Red	TB-2
RIGHT WING LED LED Ø3mm 550mm	Black	TC-1
	Red	TC-2
LEFT CONTROL PANEL LED Ø3mm 300mm	Black	TD-1
	Red	TD-2
RIGHT CONTROL PANEL LED Ø3mm 300mm	Black	TE-1
	Red	TE-2
ELECTRIC ENGINE	Black	TF-1
	Red	TF-2
BATTERIES HOLDER	Black	TG-1
	Red	TG-2
SWITCH	Red	TH-1
	Red	TH-2



	FS 595b	RLM COLORS								
A	17178	01 SILBER	ARGENT	SILVER	PLATA	SILBER	PLATA	ZILVER	СЕРЕБРЯНЫЙ	PRATA
B	36165	02 GRAUGRÜN	GRIS VERT	GREY GREEN	GRIS VERDE	GRAUGRÜN	GRIGIO	GRIJS GROEN	СЕРО-ЗЕЛЕНый	CINZA
C	3538	04 GELB	JAUNE	YELLOW	AMARILLO	GELB	GIALLO	GEEL	ЖЕЛТЫЙ	AMARELO
D	37875	21 WEISS	BLANC	WHITE	BLANCO	WEIß	BIANCO	ZWART	БЕЛЫЙ	BRANCO
E	37038	22 SCHWARZ	NOIR	BLACK	NEGRO	SCHWARZ	NERO	ROOD	ЧЕРНЫЙ	PRETO
F	31302	23 ROT	ROUGE	RED	ROJO	ROT	ROSSO	DONKERBLAUW	РОЗОВЫЙ	VERMELHO
G	35052	24 DUNKELBLAU	BLEU	DARK BLUE	AZUL	DUNKELBLAU	BLU	DONKERBLAUW	ТЕМНО СИНИЙ	AZUL
H	36081	66 SCHWARTZ- GRAU	GRIS FONCÉ	DARK GREY	GRIS OSCURO	SCHWARTZGRAU	GRIGIO SCURO	DONKER GRIJS	ТЕМНО СЕРЫЙ	CINZA OSCURO
I	34056	70 SCHWARZGRÜN	VERT NOIR	BLACK GREEN	VERDE NEGRO	SCHWARZGRÜN	VERDE NERO	ZWART GROEN	ТЕМНО ЗЕЛЕНый	VERDE PRETO
J	36375	77 HELLGRAU	GRIS CLAIRE	LIGHT GREY	GRIS CLARO	HELLGRAU	GRIGIO CHIARO	LICHTGRIJS	СВЕТЛО СЕРЫЙ	CINZA CLARO
K	30100		CUIR ROUGE	RED LEATHER	ROJO CUERO	ROTES LEDER	PELLE ROSSO	RODE LEDER	КРАСНАЯ КОЖА	COURO VERMELHO
L	30140		ROUILLE	RUST	OXIDO	ROST	OSSIDO	ROEST	РЖАВЧИНА	OXIDO
M			VERT TRANSPARENTE	CLEAR GREEN	VERDE TRANSPARENTE	TRANSPARENT GRÜN	VERDE TRANSPARENTE	HELDER GROEN	ЯСНО ЗЕЛЕНый	VERDE TRANSPARENTE
N			ROUGE TRANSPARENTE	CLEAR RED	ROJO TRANSPARENTE	TRANSPARENT ROT	ROSSO TRANSPARENTE	HELDER ROOD	ЯСНО КРАСНЫЙ	VERMELHO TRANSPARENTE
O	30475		TOILE	CLOTH	LONA	STOFF	STOFFA	KLEDING	ТКАНЬ	PANO
P	30040		MARRON FONCÉ	DARK BROWN	MARRON OSCURO	DUNKELBRAUN	MARRONE SCURO	DONKER BRUIN	ТЕМНО КОРИЧНЕ- ВЫЙ	MARROM ESCURO
Q			MÉTAL PAVÉ	GUN METAL	METAL PAVONADO	METALL	METAL	GUN METAL	МЕТАЛЛИЧЕСКИЙ	METAL ESCURO
R	17043		OR	GOLD	ORO	GOLD	ORO	GOUD	ЗОЛОТО	OURO
S	27038		SATIN NOIR	SATIN BLACK	NEGRO SATINADO	SCHWARZER SATIN	NERO RASO	SATIJN ZWART	ЧЕРНЫЙ БЕЗ БЛЕ- СКА	CETIM PRETO



COLOCAR CENTRADO
PLACE IN THE CENTER
PLACER AU MILIEU
IN DER MITTE PLATZIEREN
PLAATS IN HET MIDDEN
POSIZIONARE AL CENTRO
COLOCAR NO PONTO MÉDIO
РАЗМЕСТИТЕ В ЦЕНТРЕ



ROTAR
TURN
TOURNER
DREHEN
DRAAIEN
GIRARE
VIRAR
ПРЕВРАТИТЬ



REPETIR
REPEAT
RÉPÉTER
WIEDERHOLEN
HERHALEN
RIPETERE
REPETIR
ПОВТОРИТЕ



REPETIR SIMÉTRICAMENTE
REPEAT SYMMETRICALLY
RÉPÉTER SYMÉTRIQUEMENT
WIEDERHOLEN SIE SYMMETRISCH
HERHALEN SYMMETRISCH
RIPETERE SIMMETRICAMENTE
REPETIR SIMMETRICAMENTE
ПОВТОРИТЕ СИММЕТРИЧНО



DOBLAR
BEND
PLIER
BIEGEN
VOUWEN
PIEGARE
DOBRAR
СОГНИТЕ



CORTAR
CUT
COUPER
SCHNEIDEN
SNIJDEN
TAGLIARE
CORTAR
ОТРЕЖЬТЕ



PEGAR
GLUE
COLLER
KLEBEN
KLEVEN
COLLA
COLAR
ПРИКЛЕЙТЕ



PEGAR
GLUE
COLLER
KLEBEN
KLEVEN
COLLA
COLAR
ПРИКЛЕЙТЕ



ENCAJAR
FIT THE PIECE
EMBOÏTER
PASSEN
AANPASSEN
MONTARE IL PEZZO
ENCAIXAR
ВПИСАТЬСЯ В



LIJAR
SAND
PONCER
SCHLEIFEN
ZAND
SCARTAVETRARE
AREAR
ОШКУРЬТЕ



INICIO DE CABLE
CABLE START
DÉBUT DE CÂBLE
KABELSTART
KABEL START
INIZIO DEL CAVO
INÍCIO DO CAVO
ЗАПУСК КАБЕЛЯ



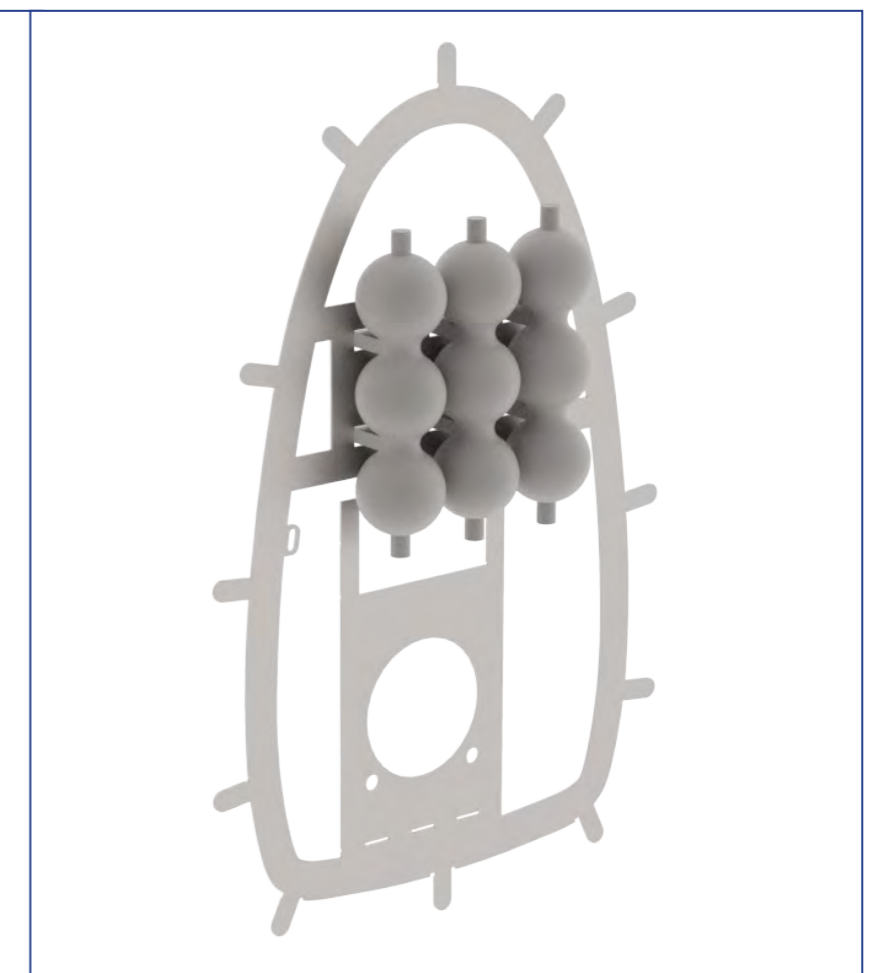
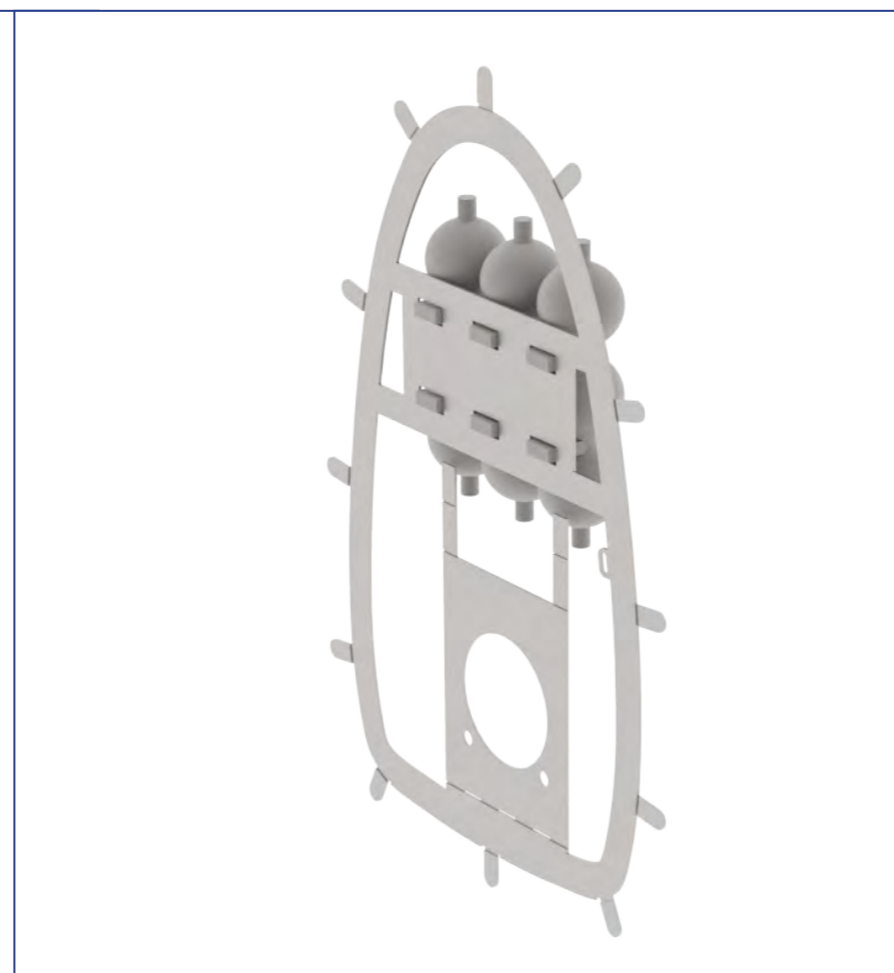
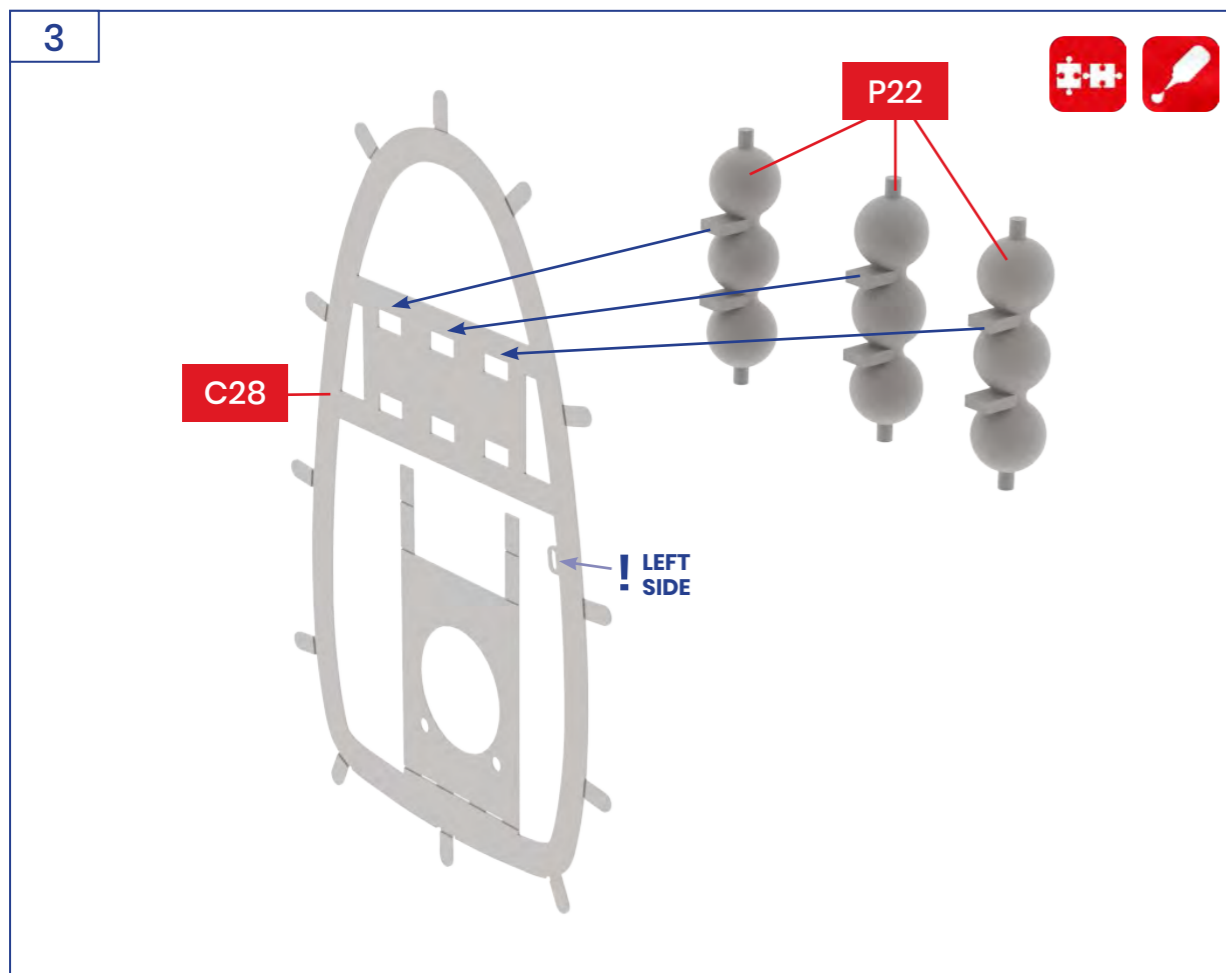
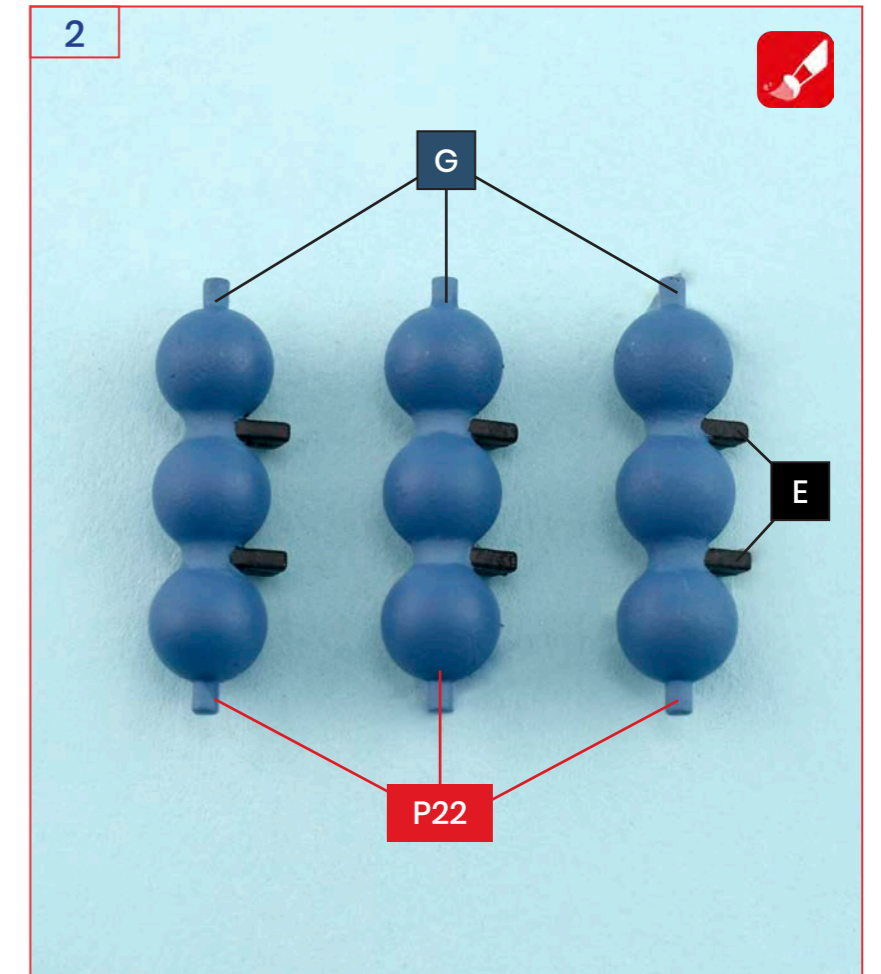
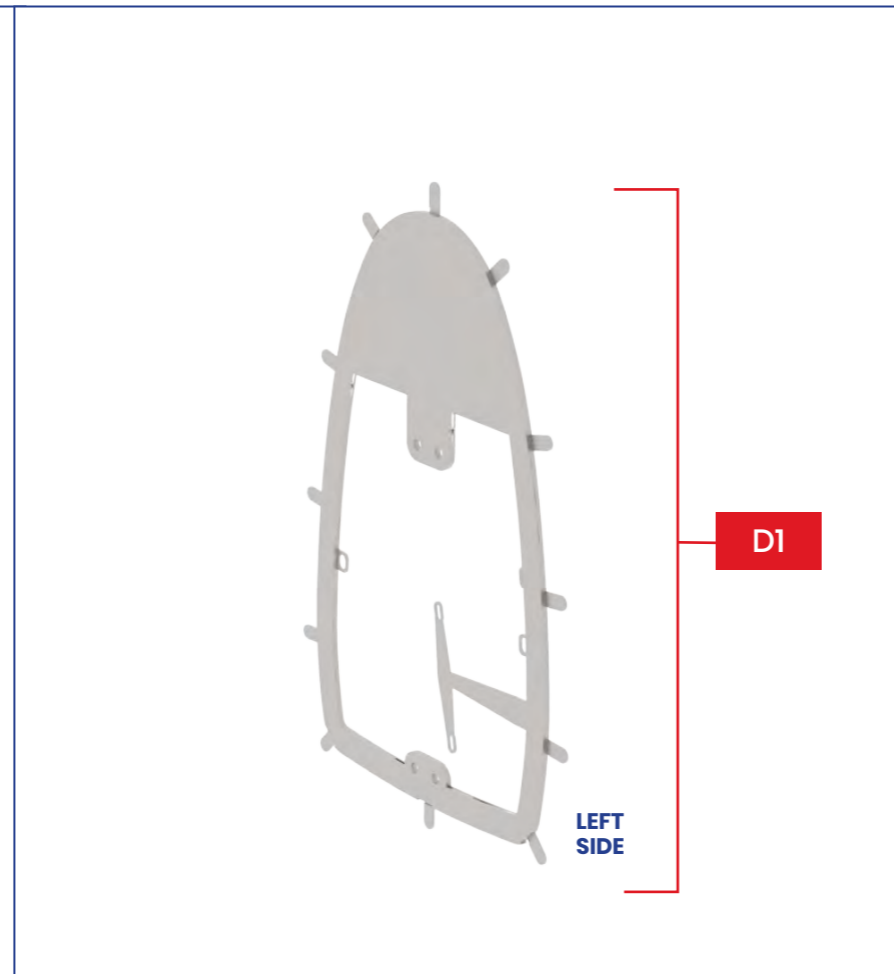
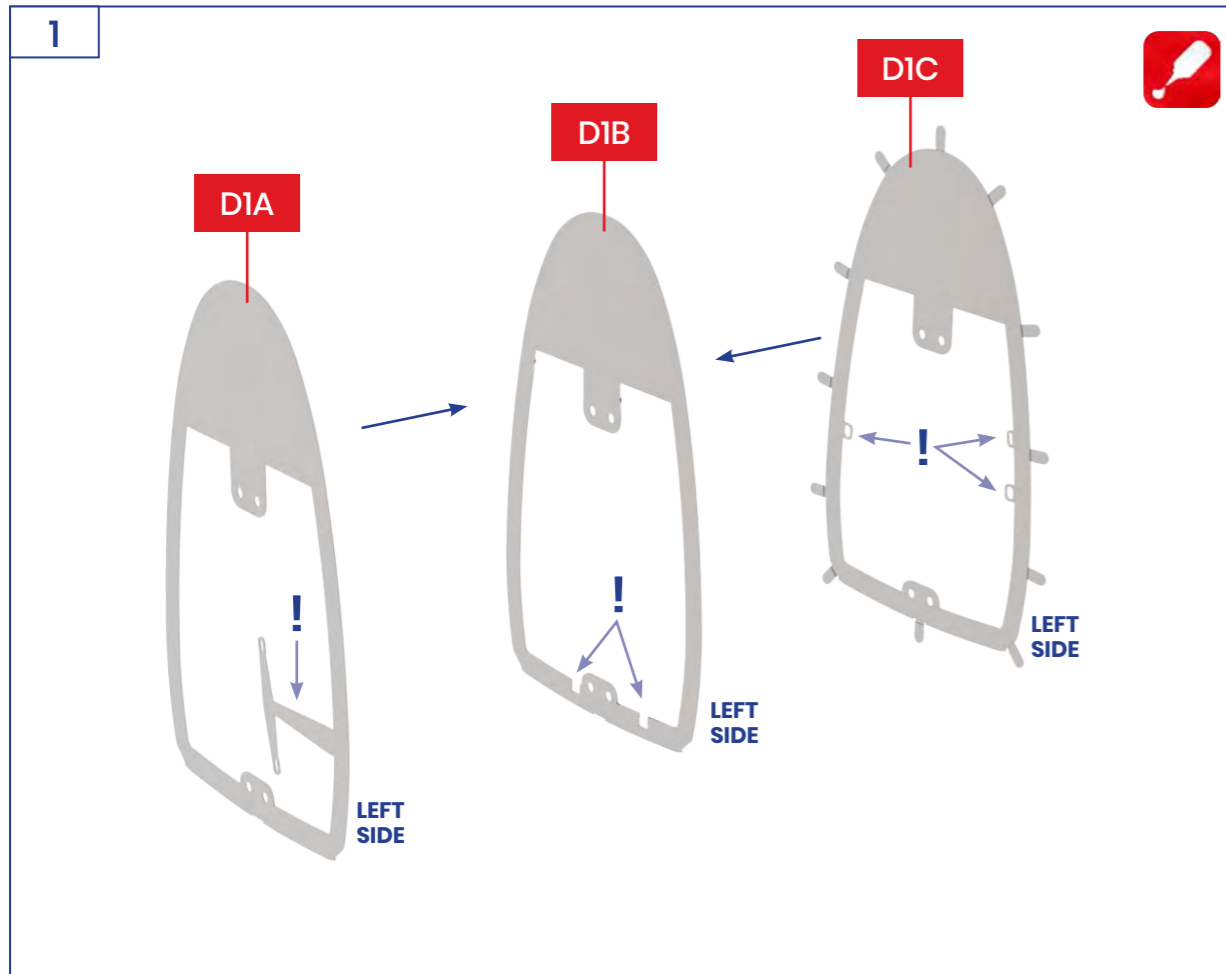
FIN DE CABLE
CABLE END
EXTRÉMITÉ DU CÂBLE
KABELLENDE
KABELUITEINDE
ESTREMITÀ DEL CAVO
EXTREMIDADE DO CAVO
КОНЕЦ КАБЕЛЯ



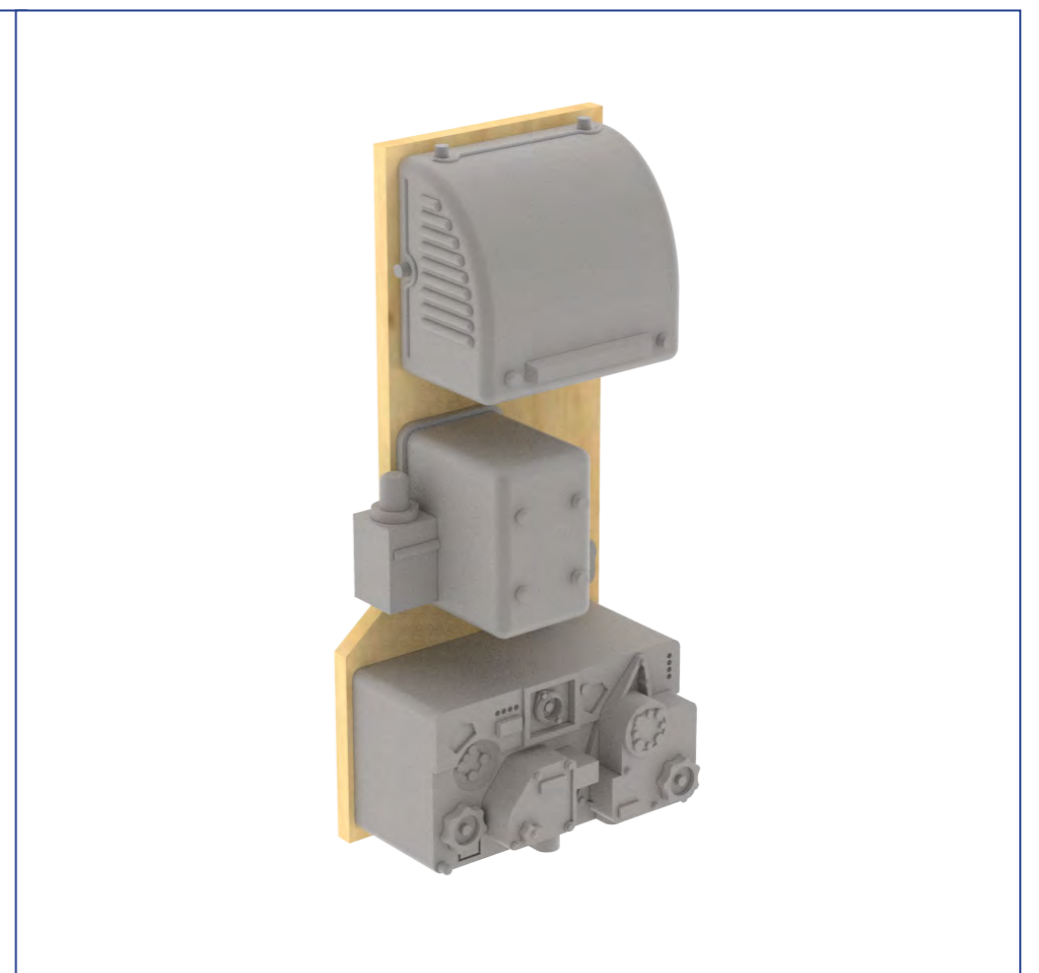
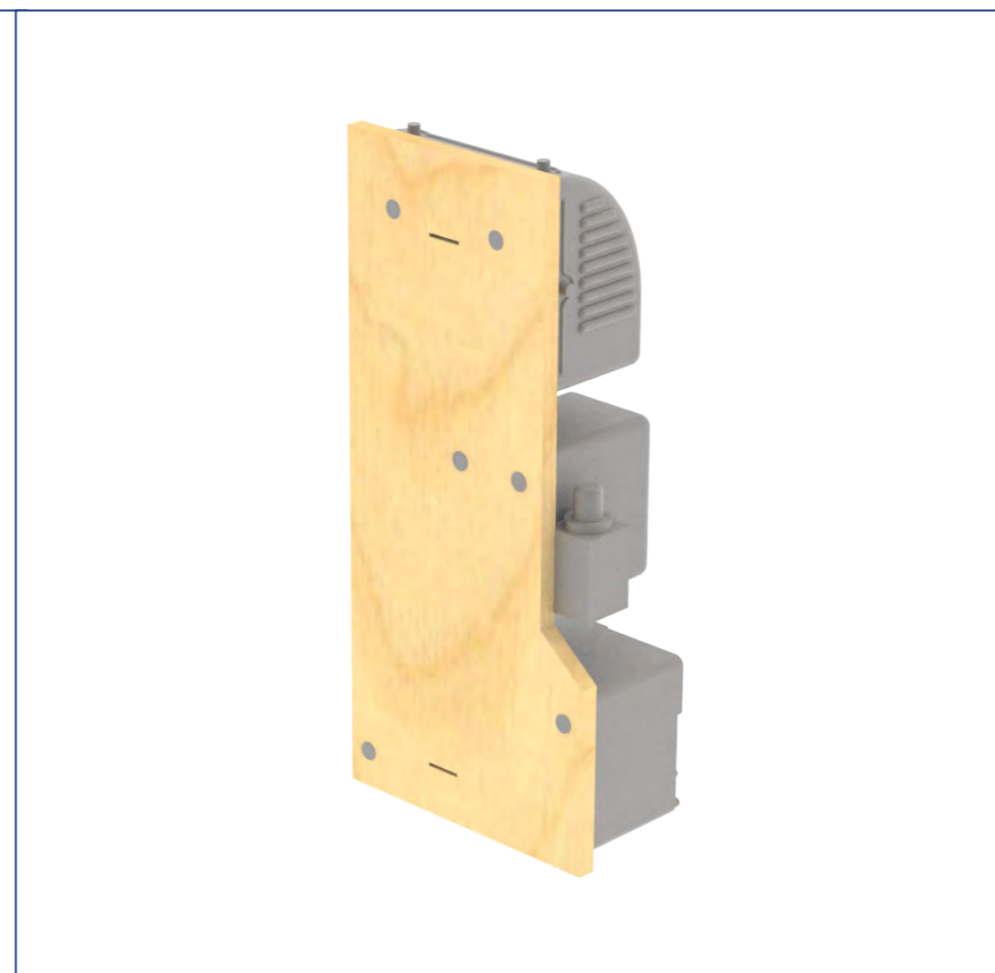
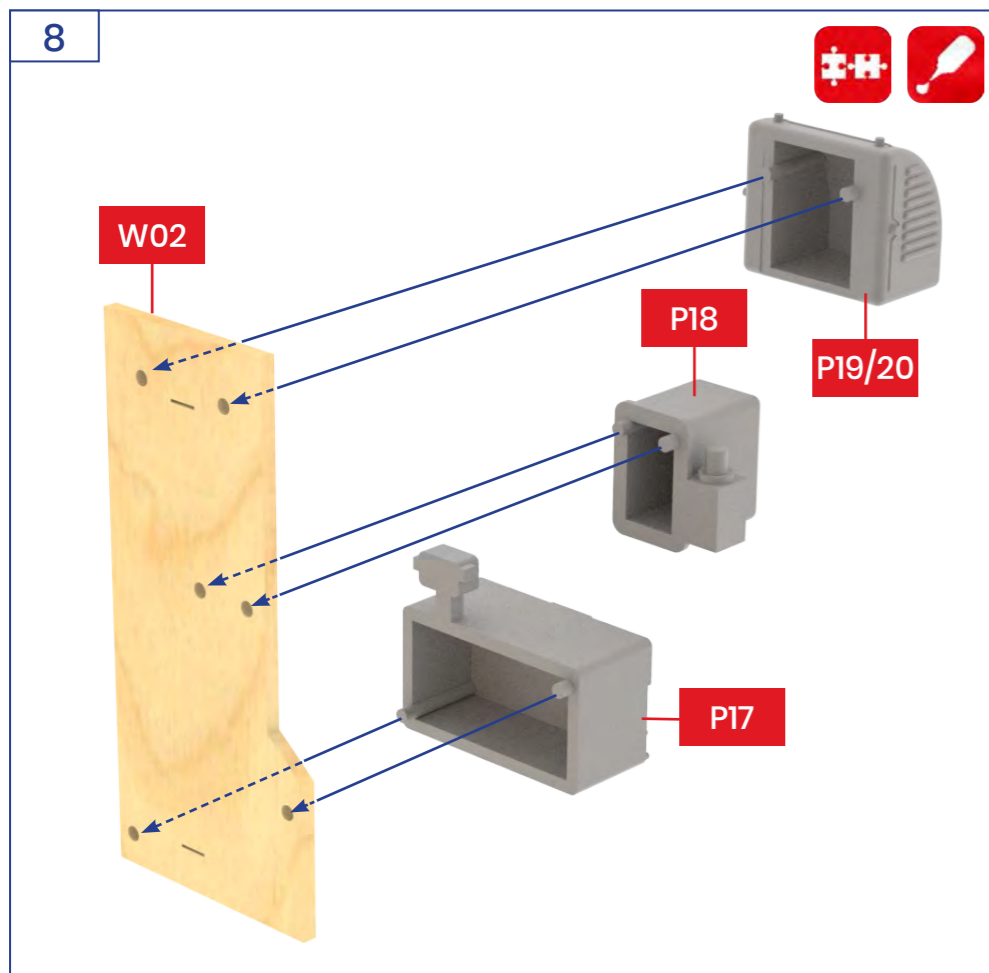
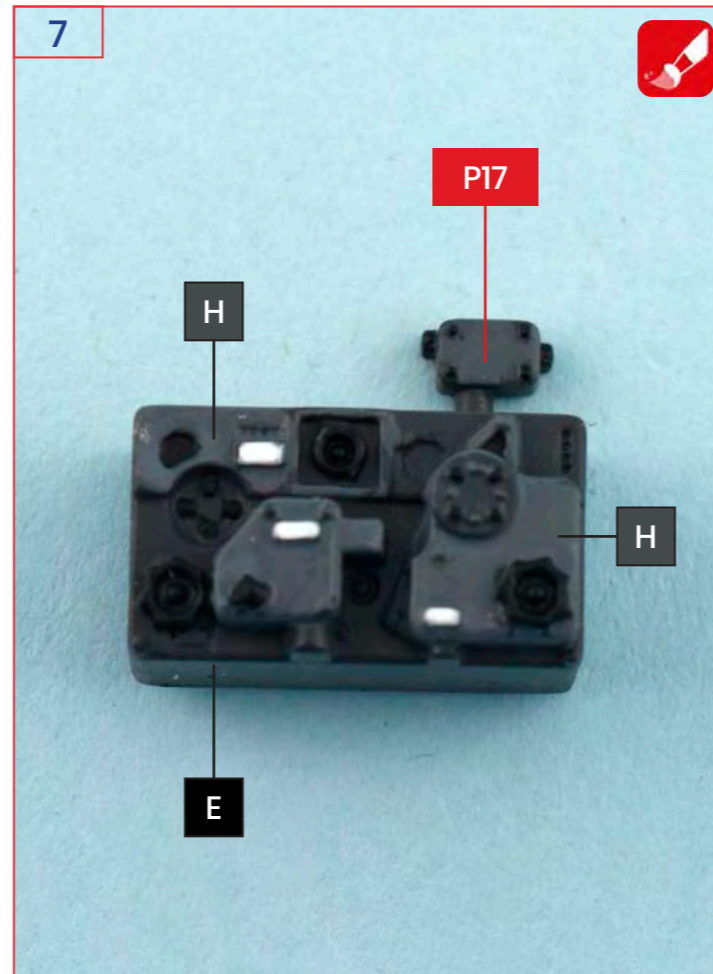
PINTAR
PAINT
PEINDRE
FARBE
VERF
VERNICE
PINTAR
РИСОВАТЬ



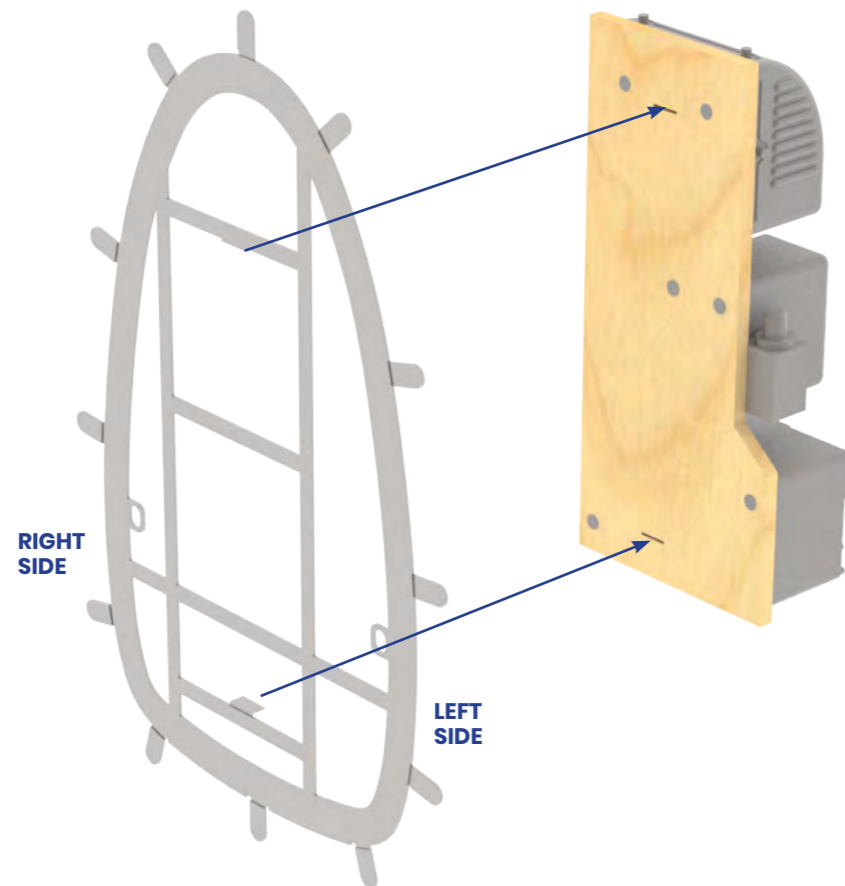
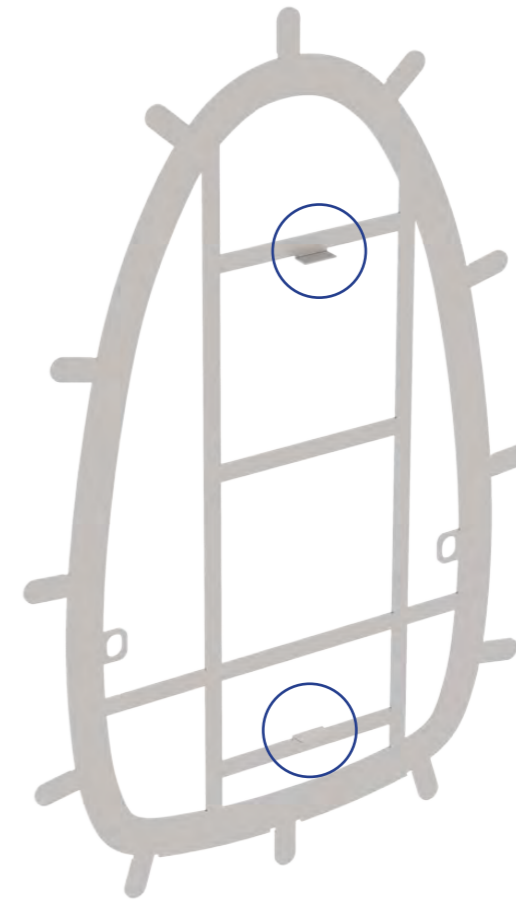
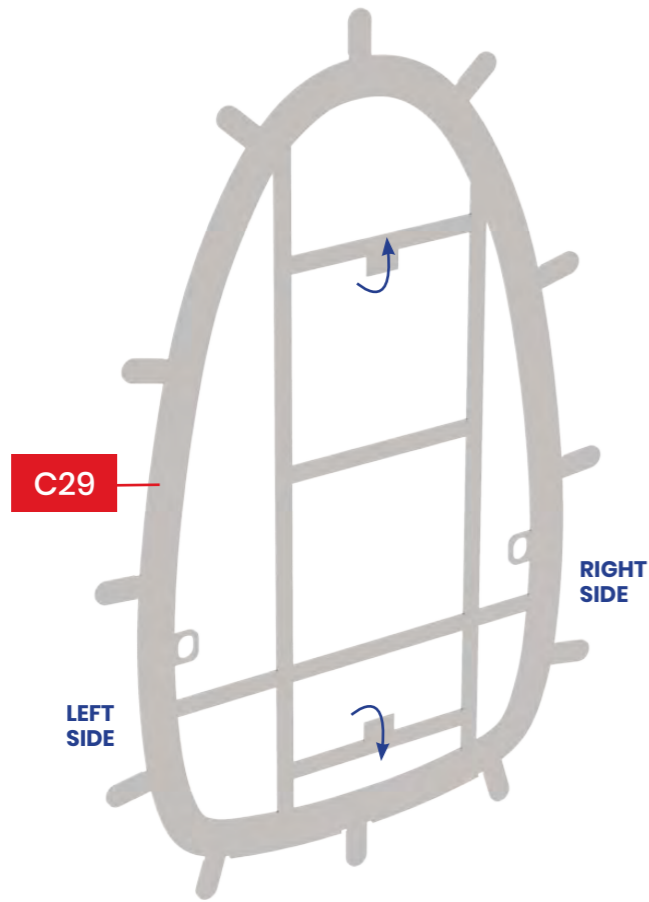
MEDIR
MEASURE
MESURE
MESSEN
MAATREGEL
MISURARE
МЕЇА
ИЗМЕРЕНИЕ



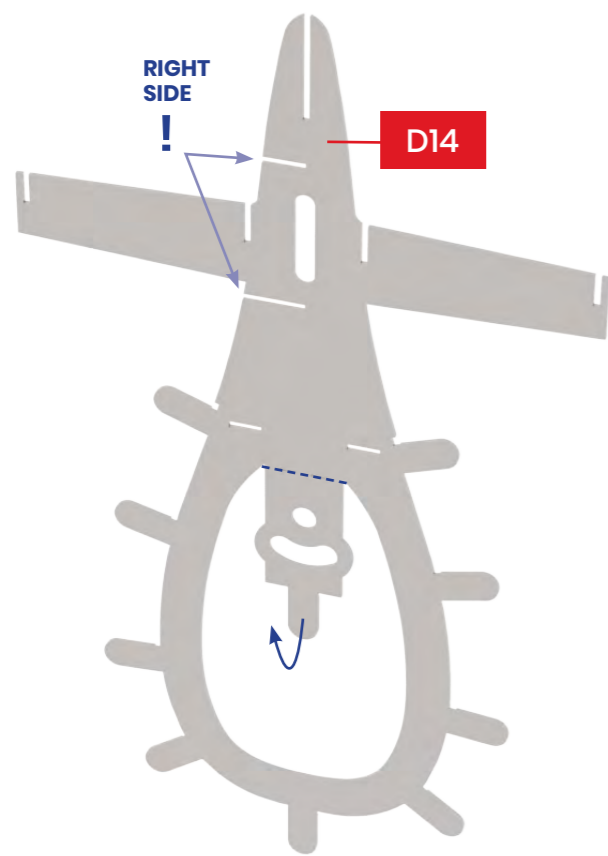




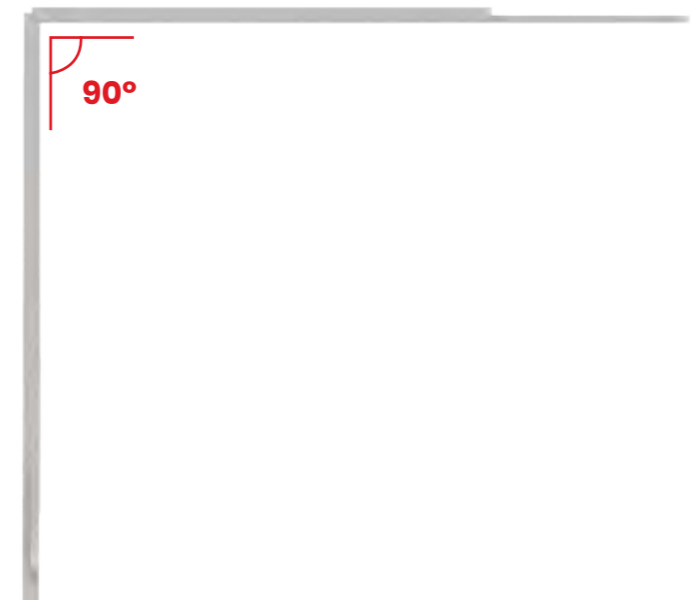
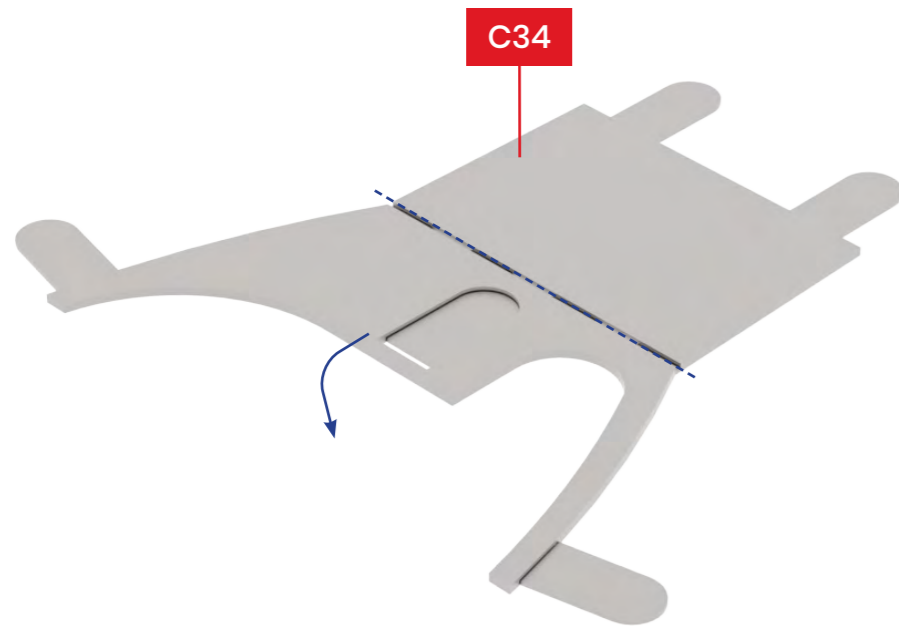
9



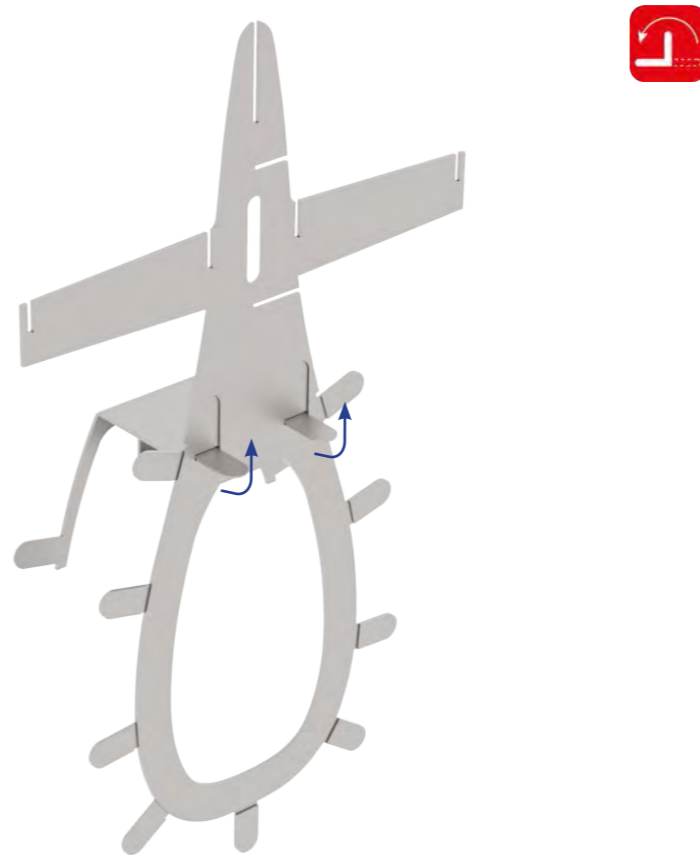
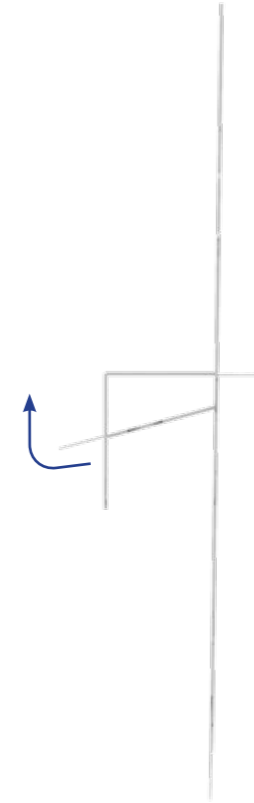
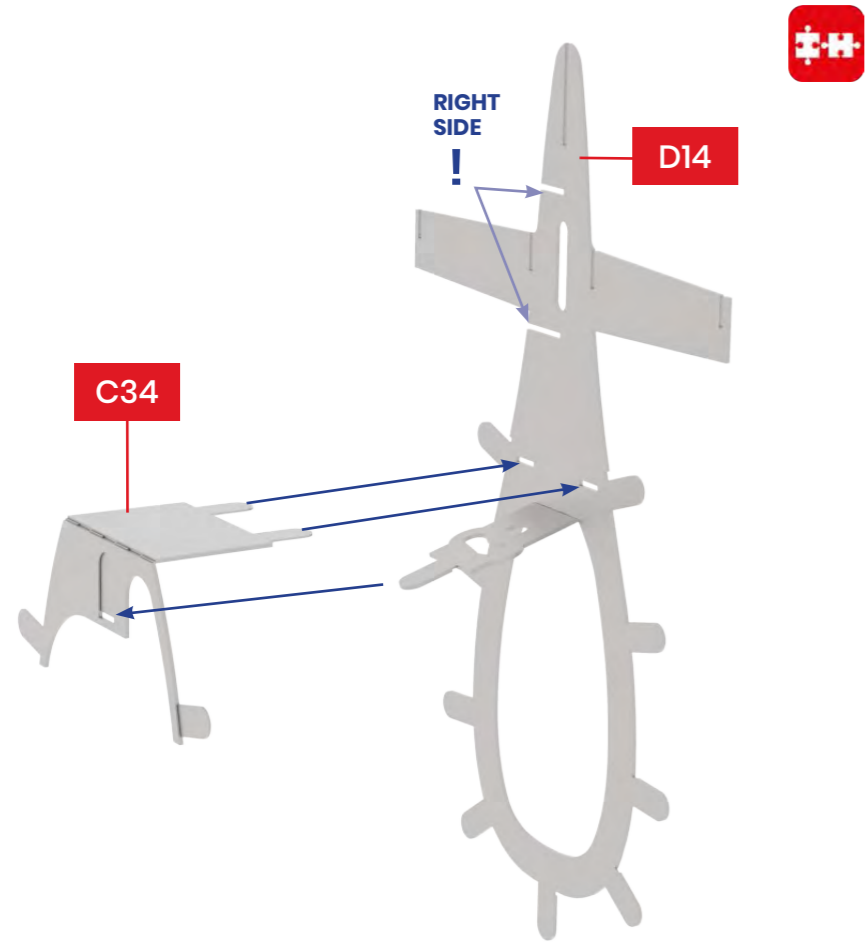
10



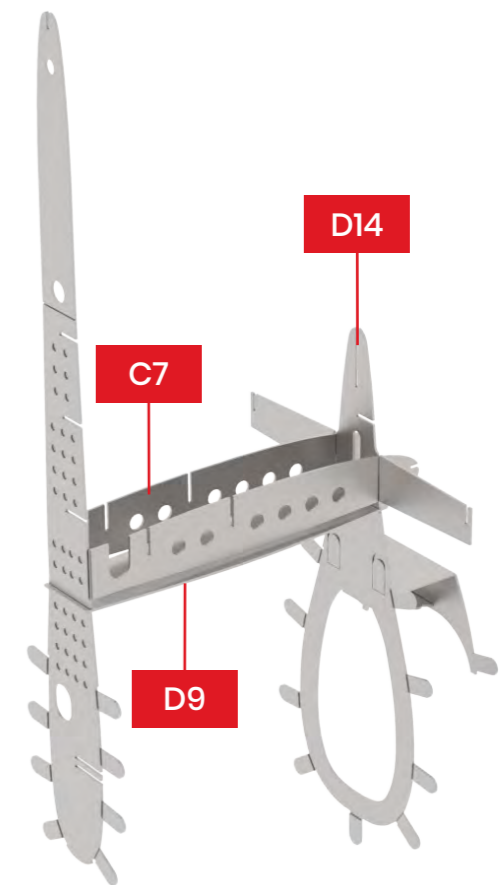
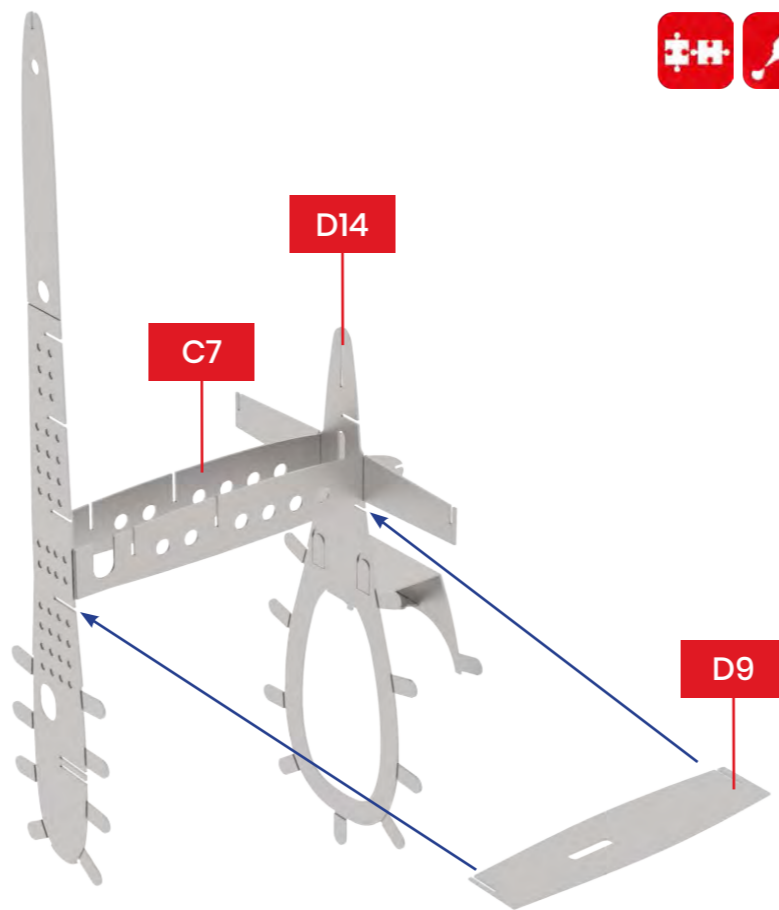
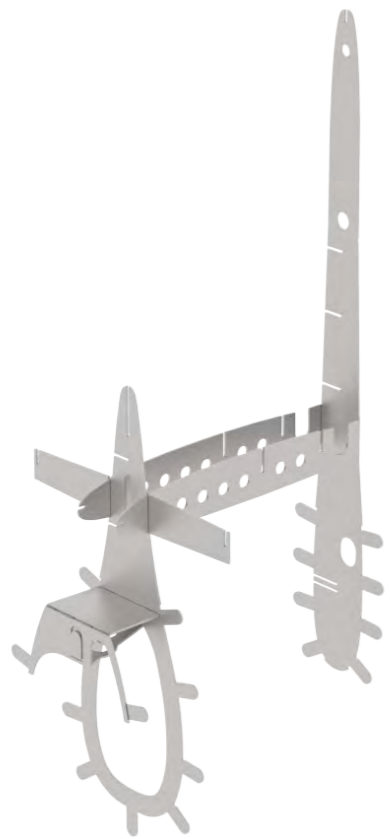
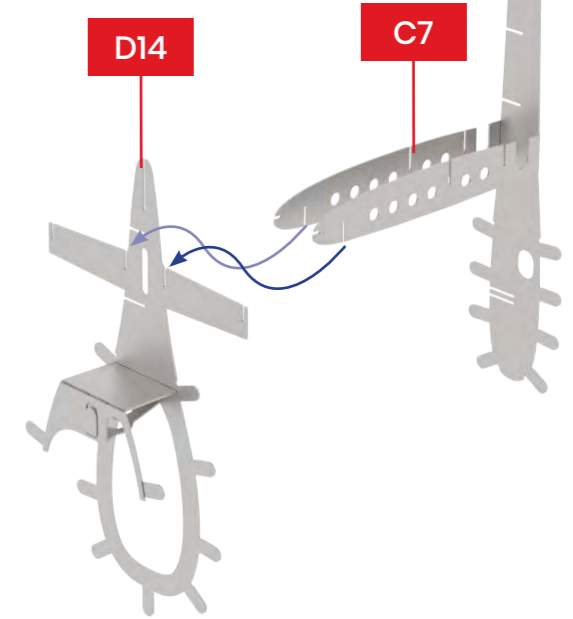
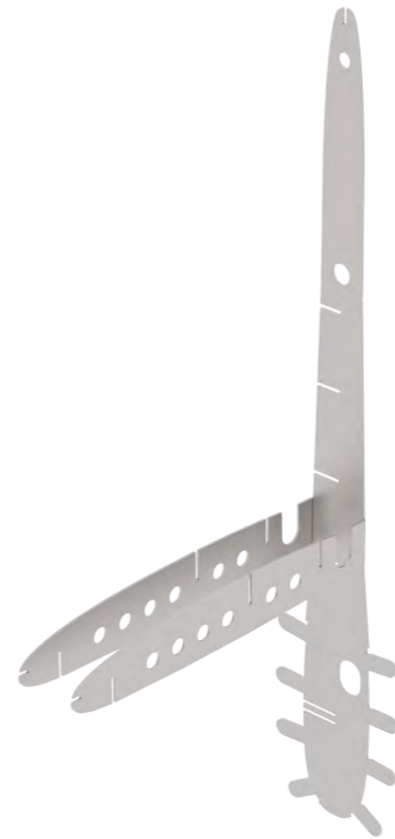
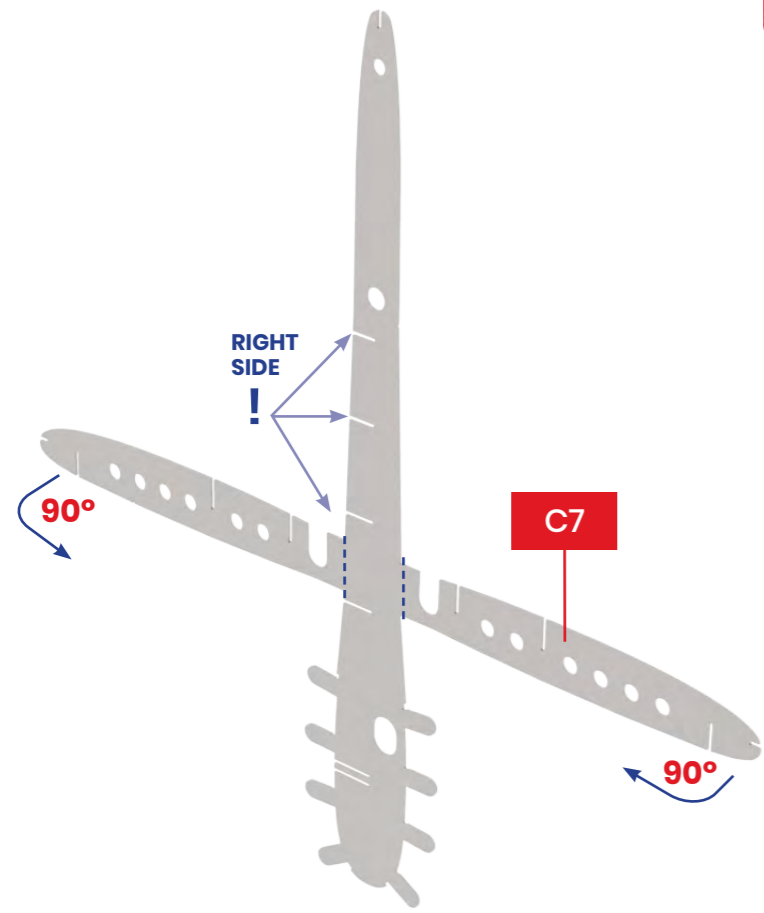
11



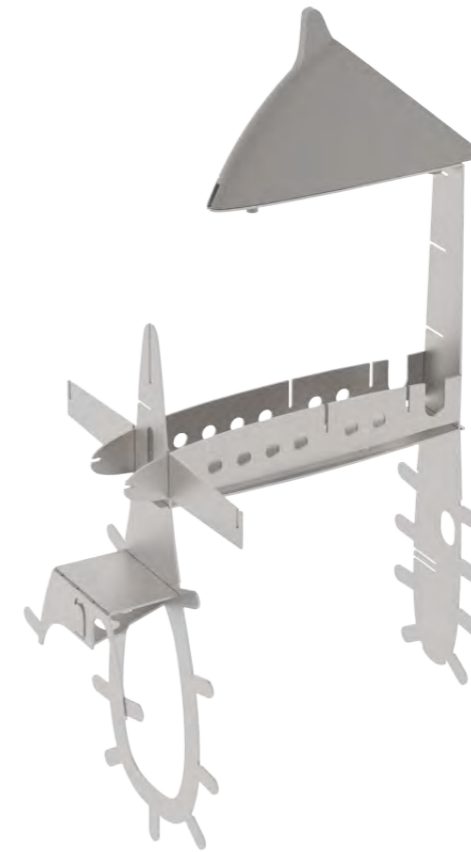
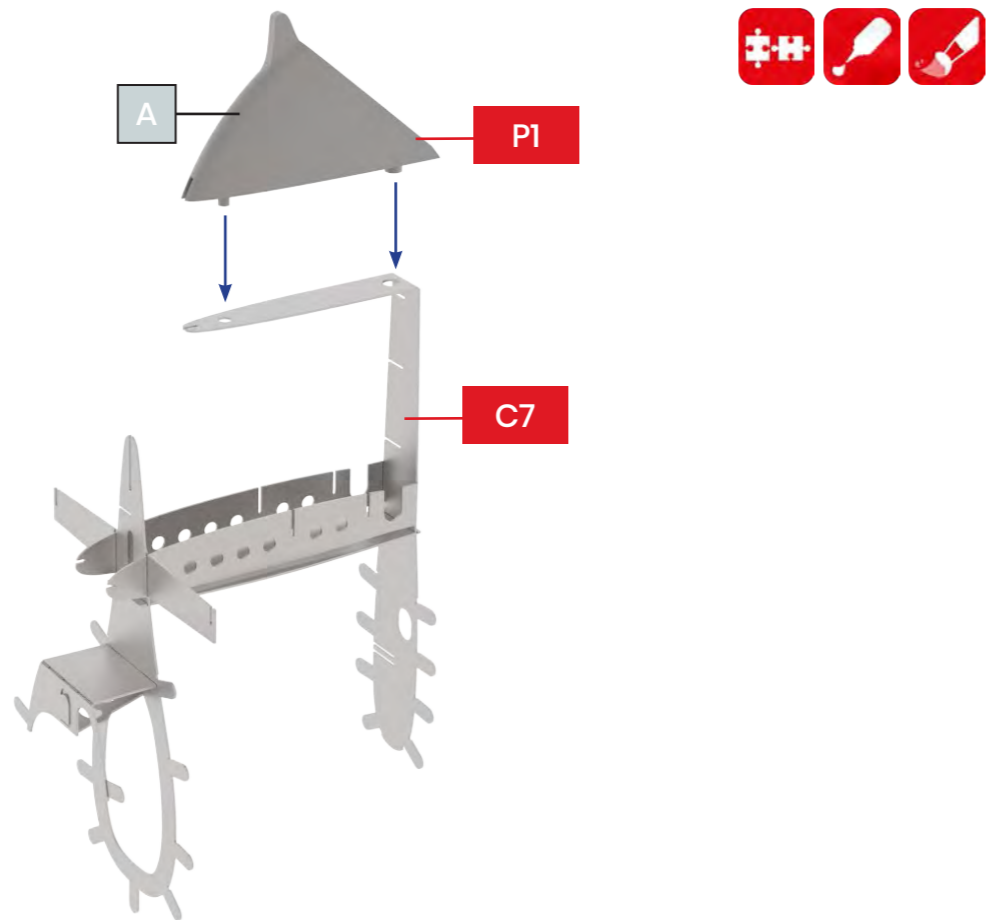
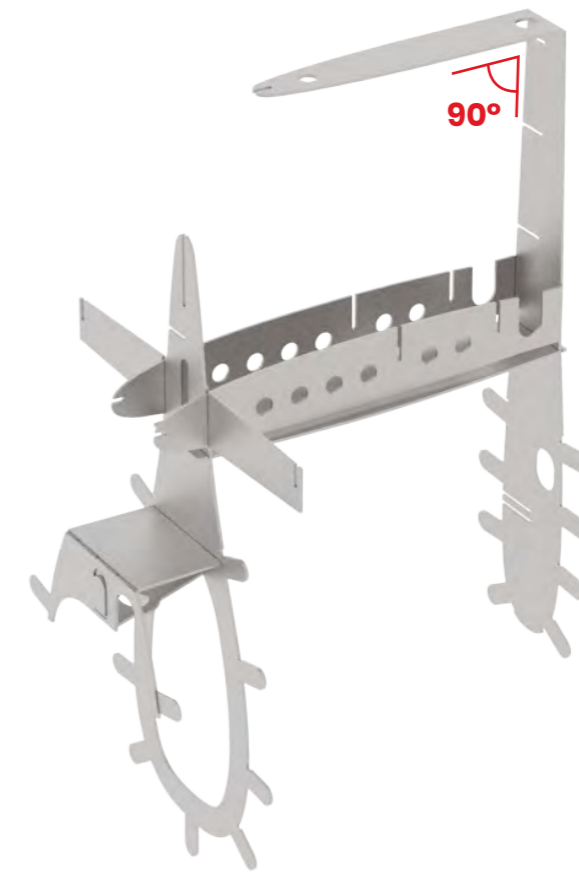
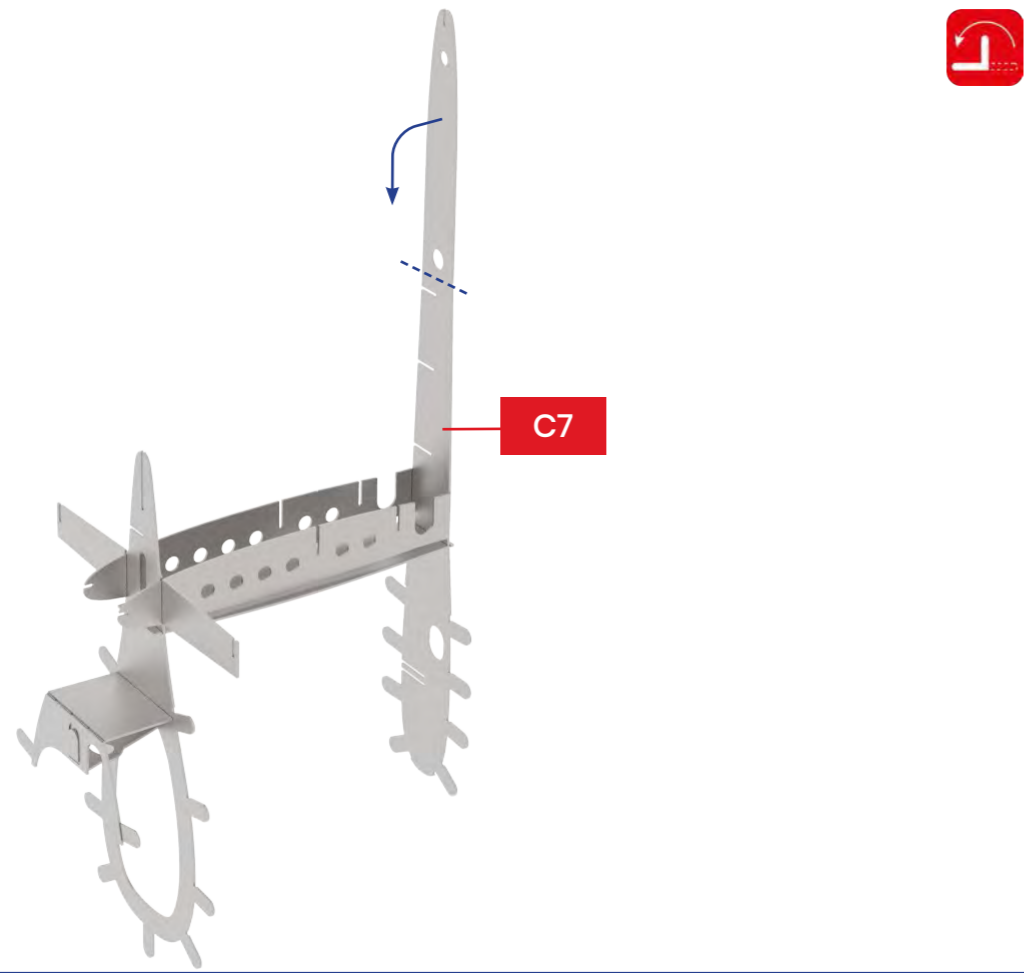
12



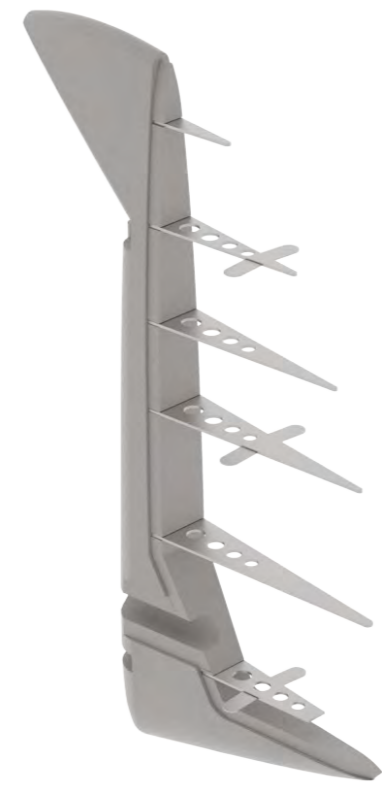
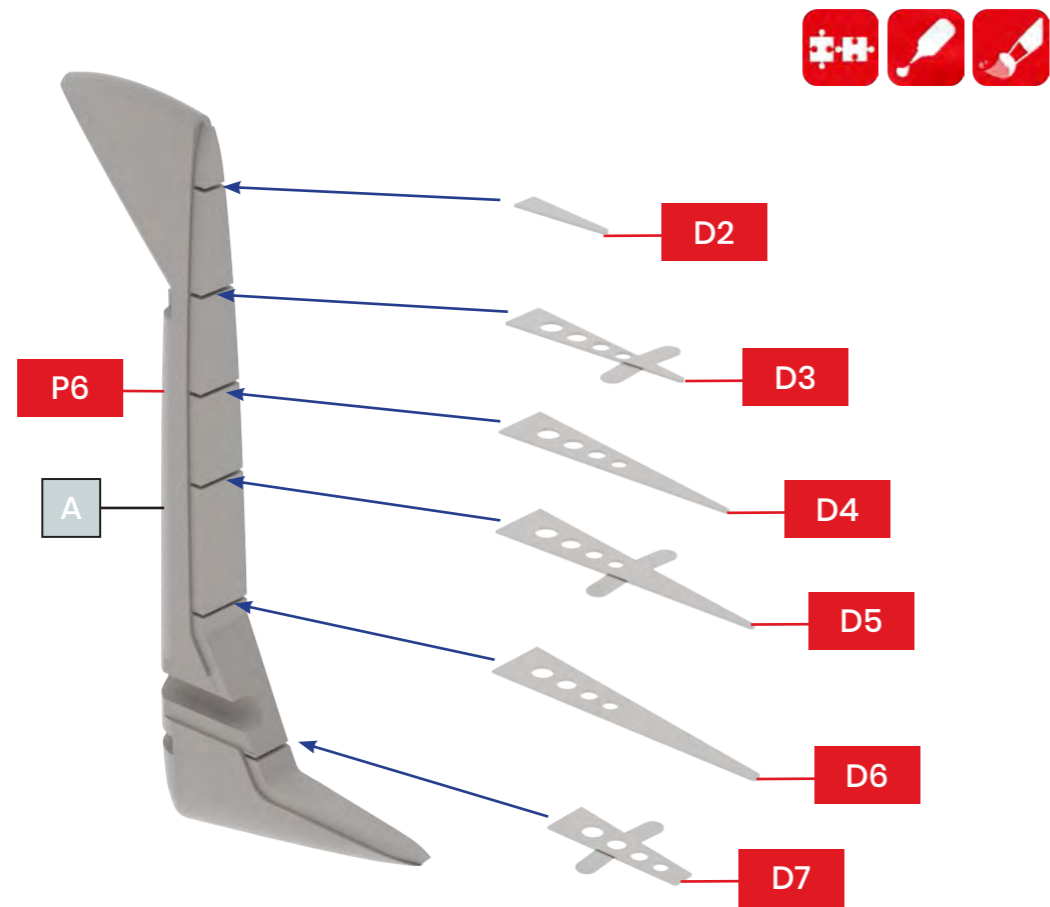
13



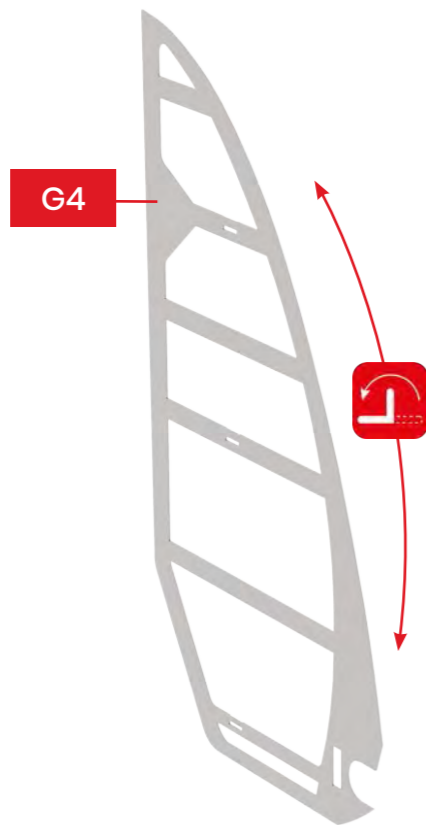
14



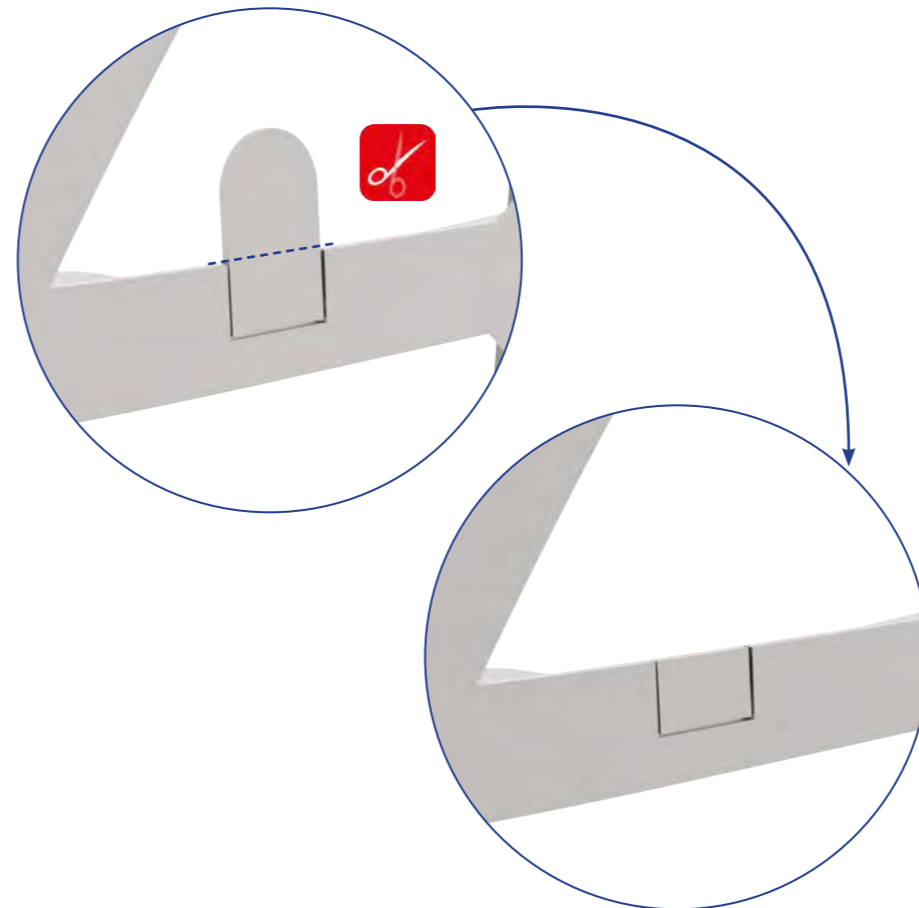
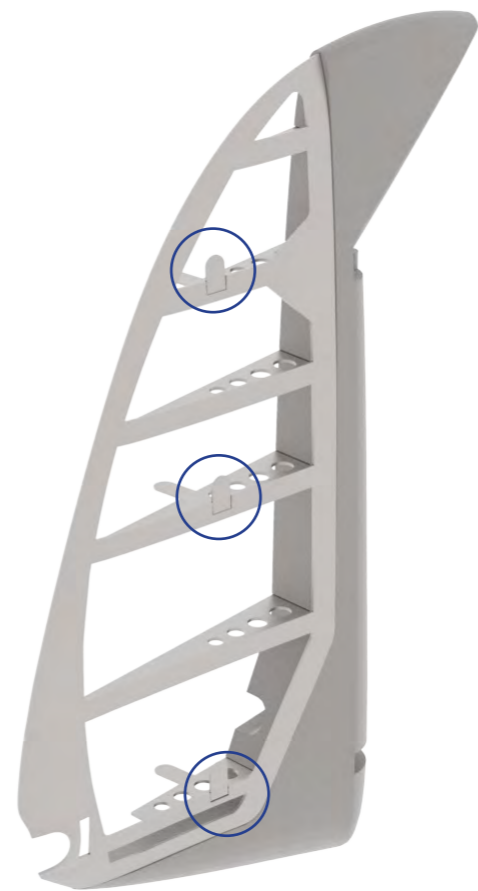
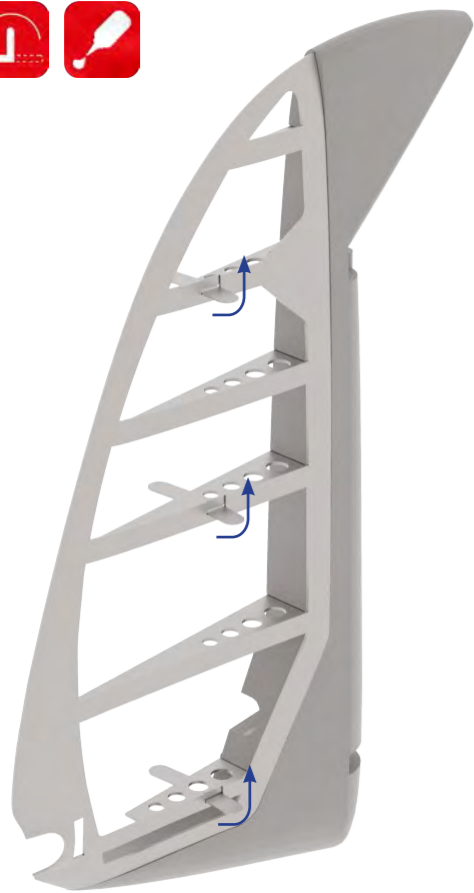
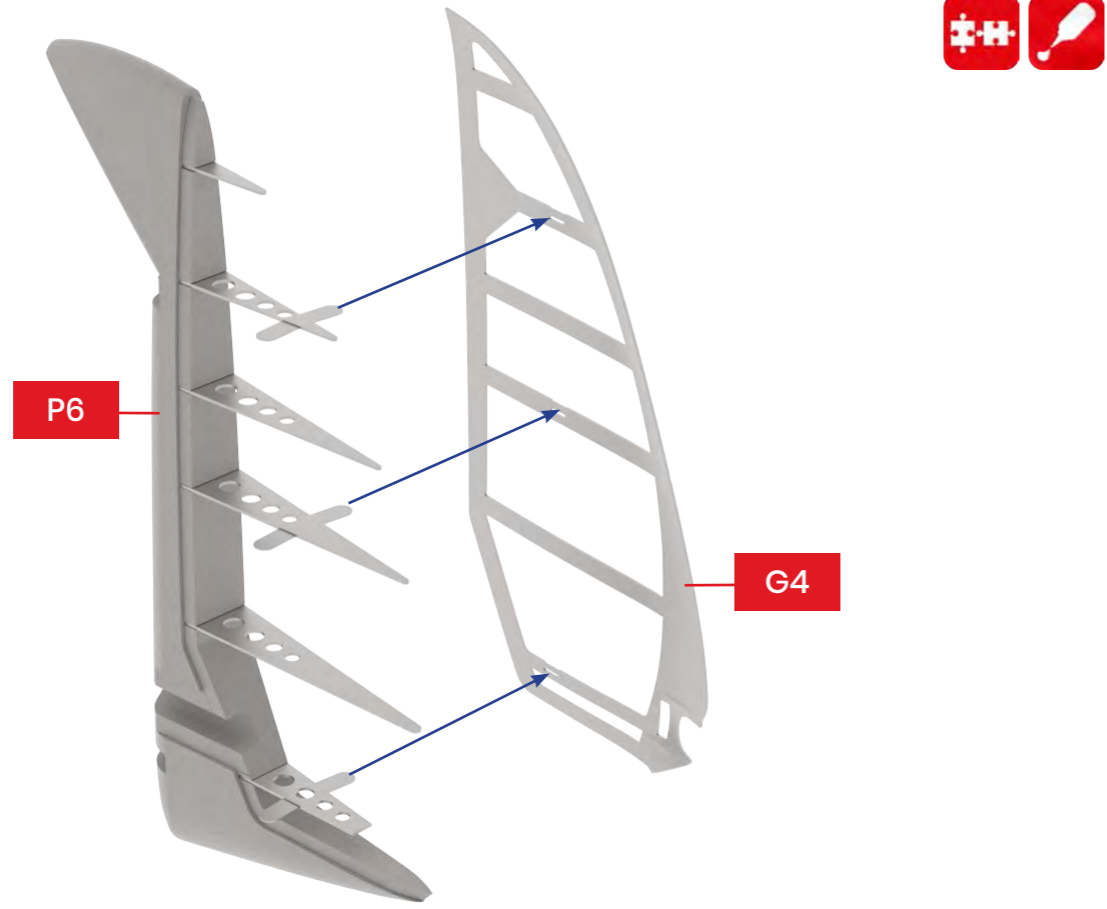
15



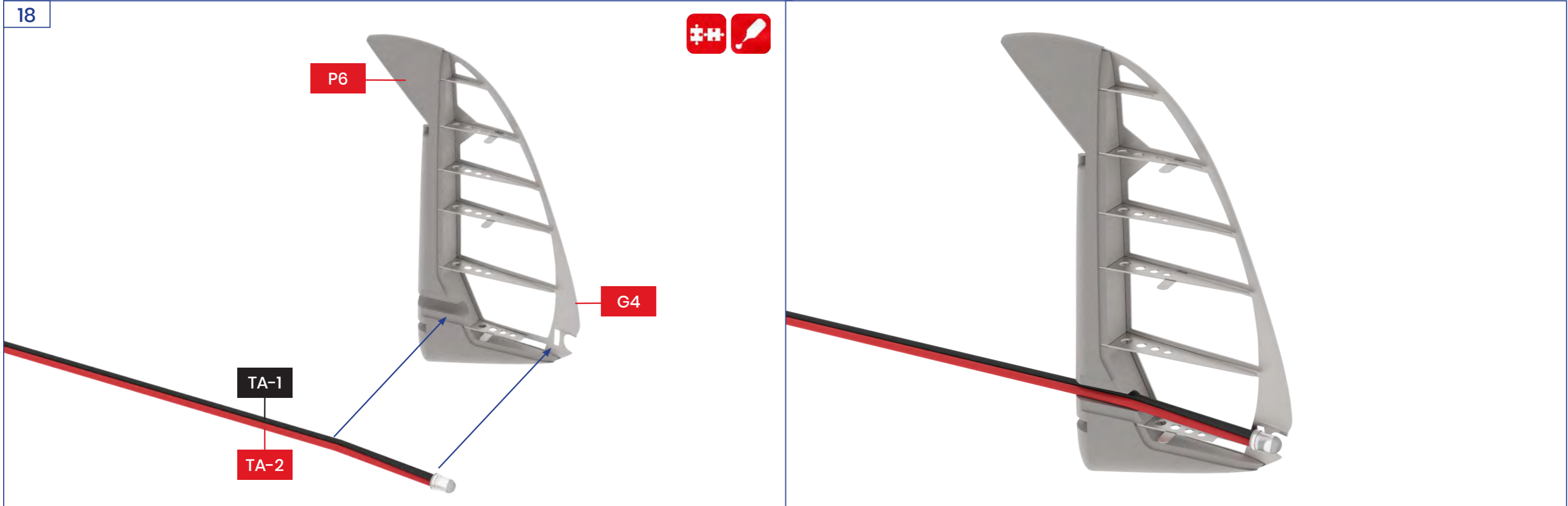
16



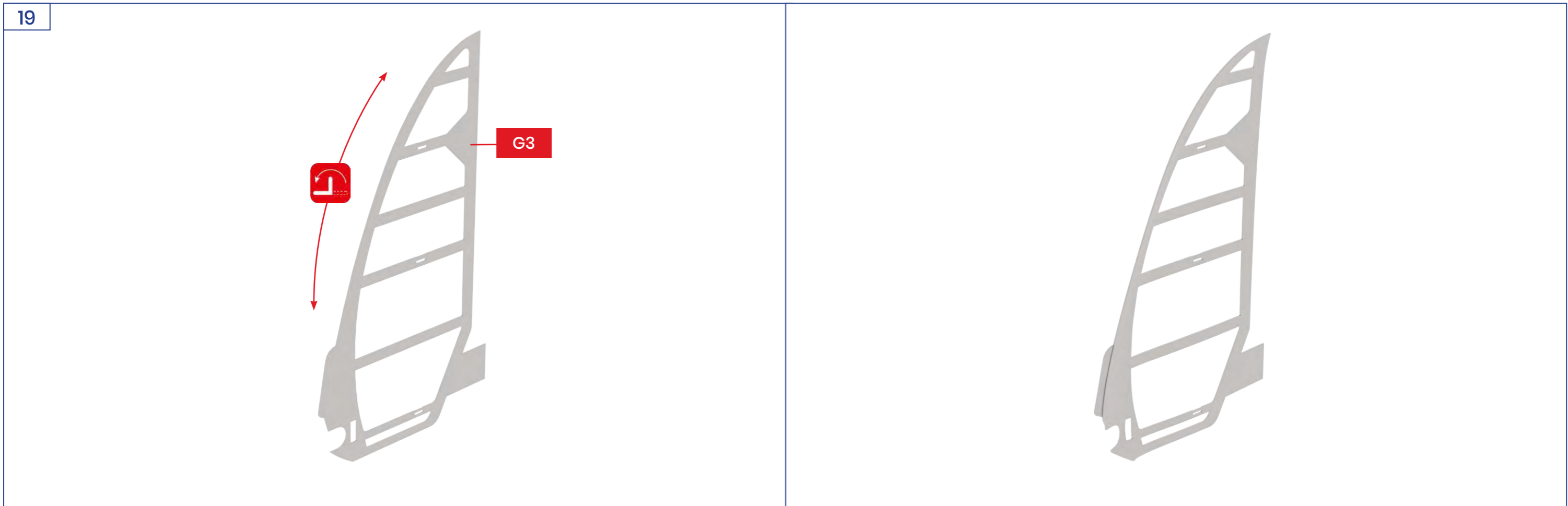
17



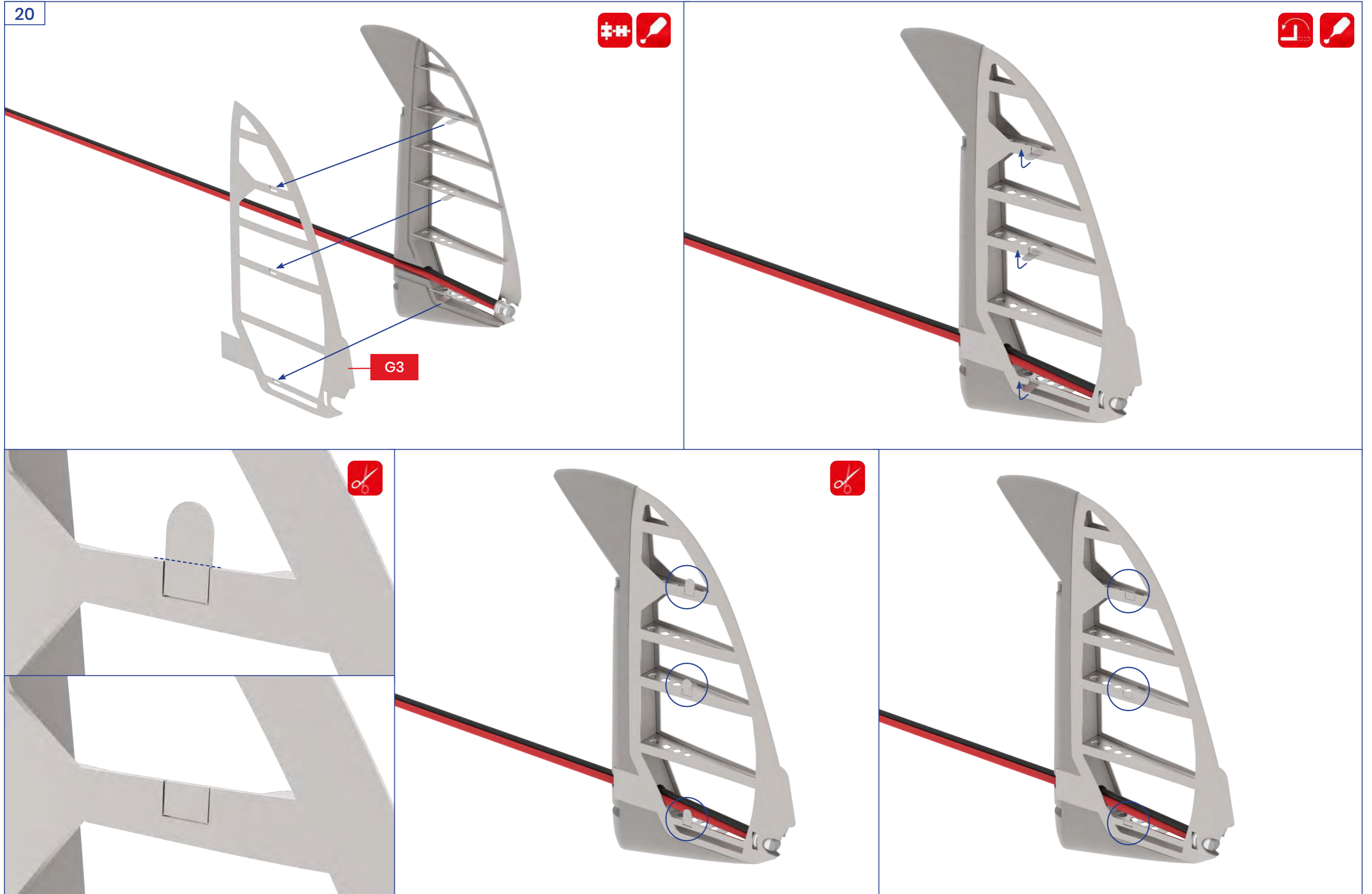
18



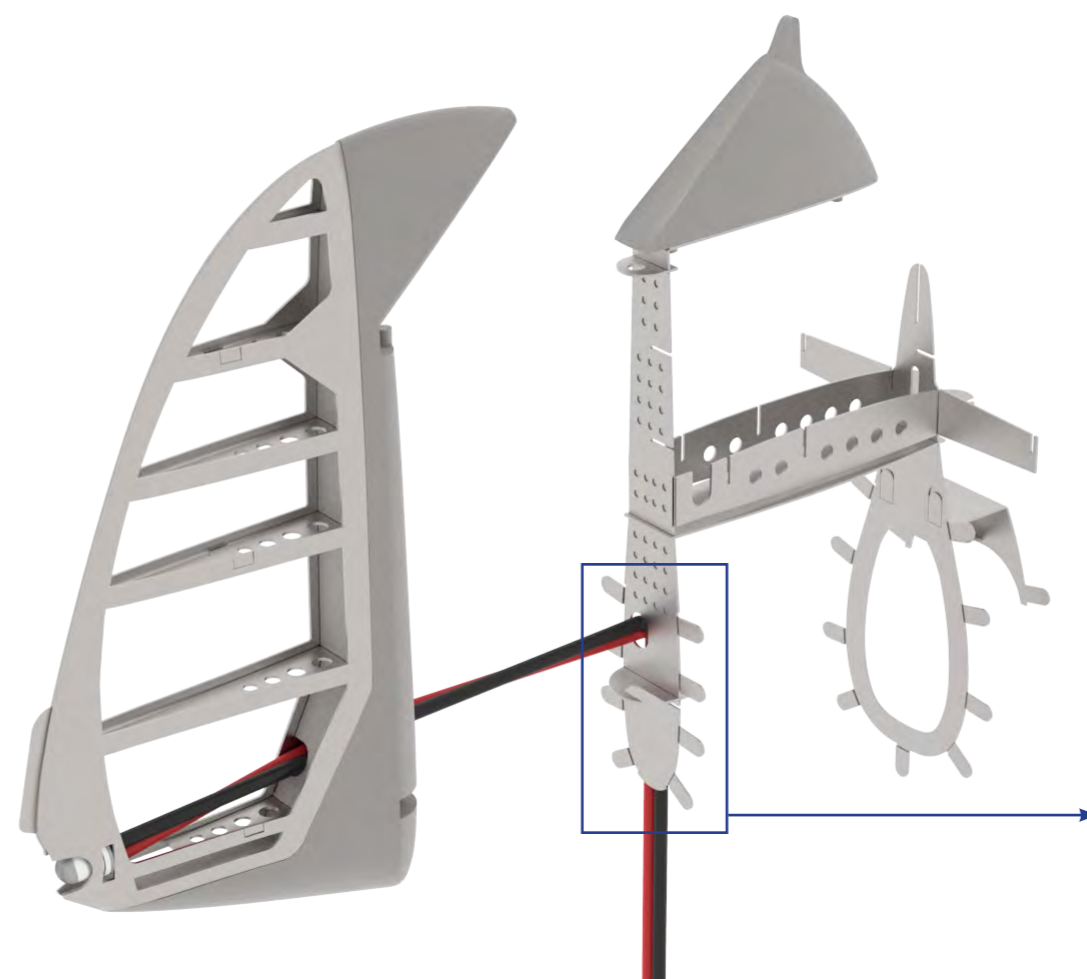
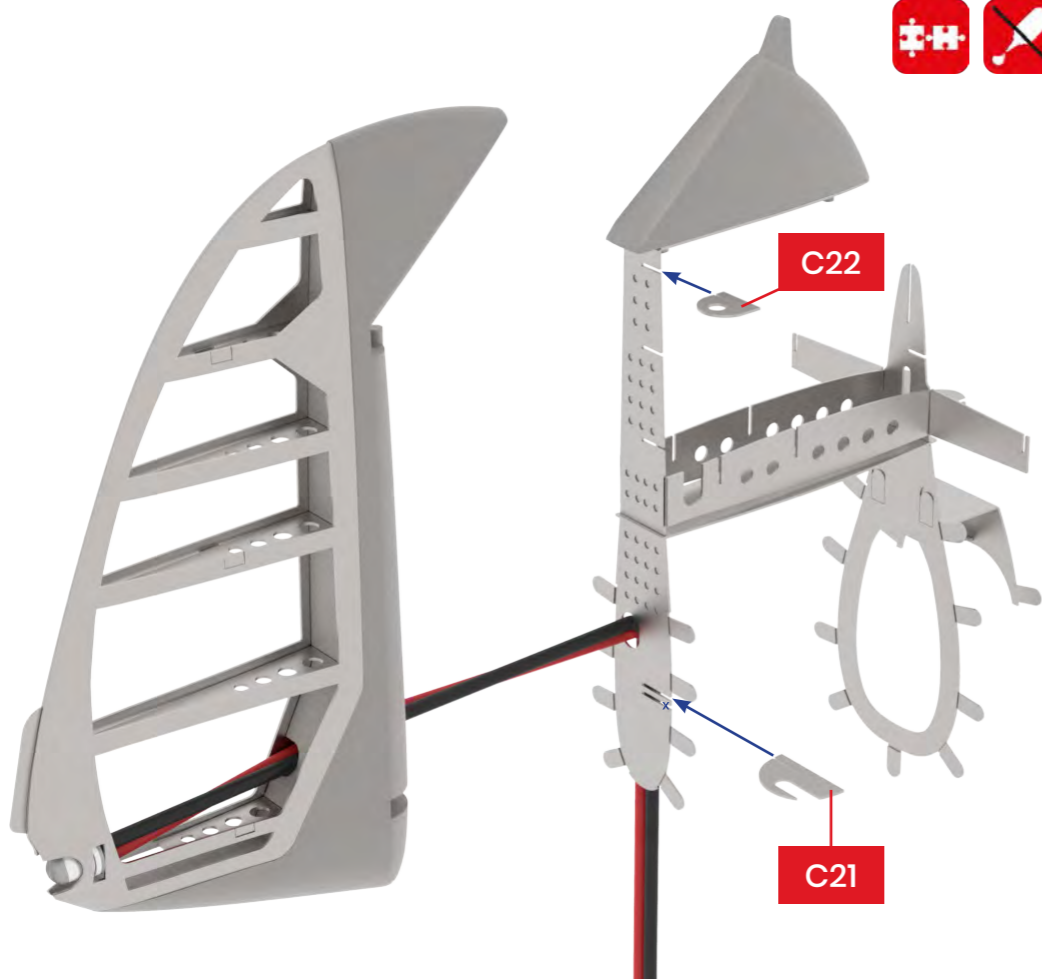
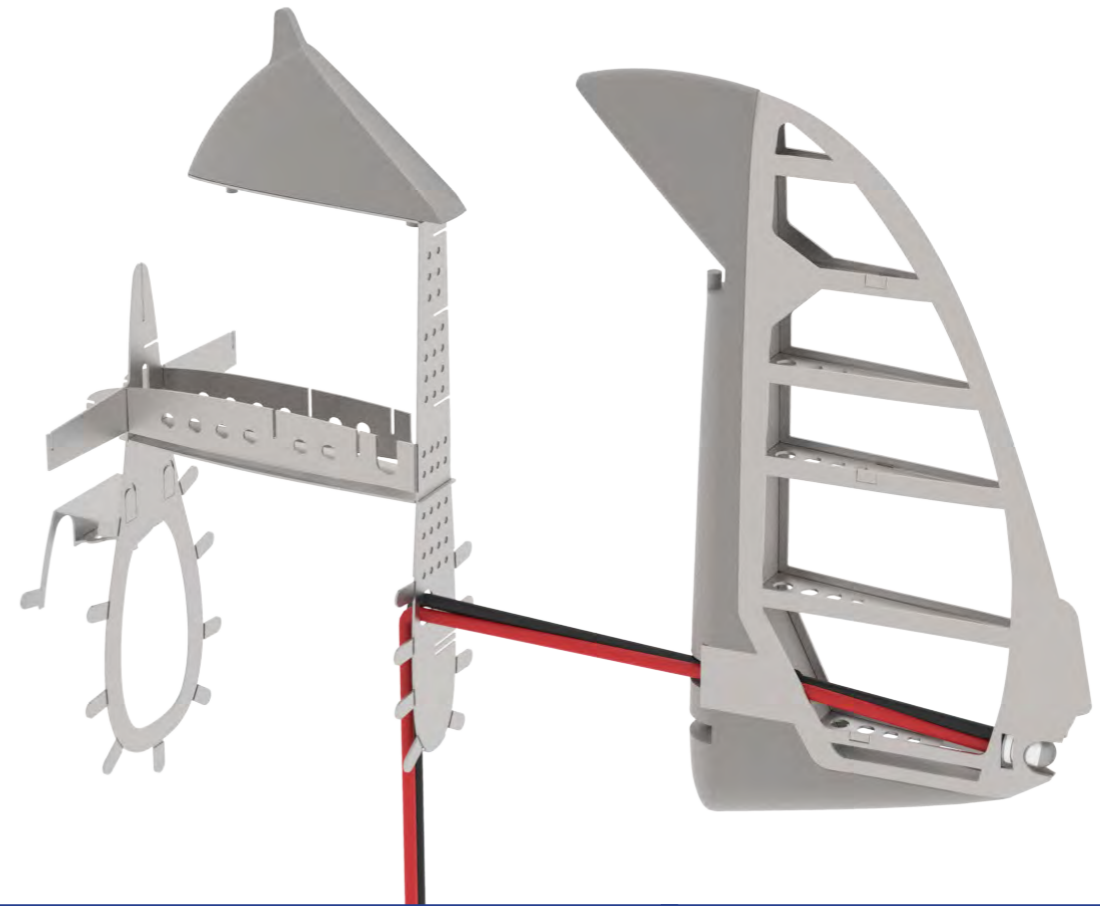
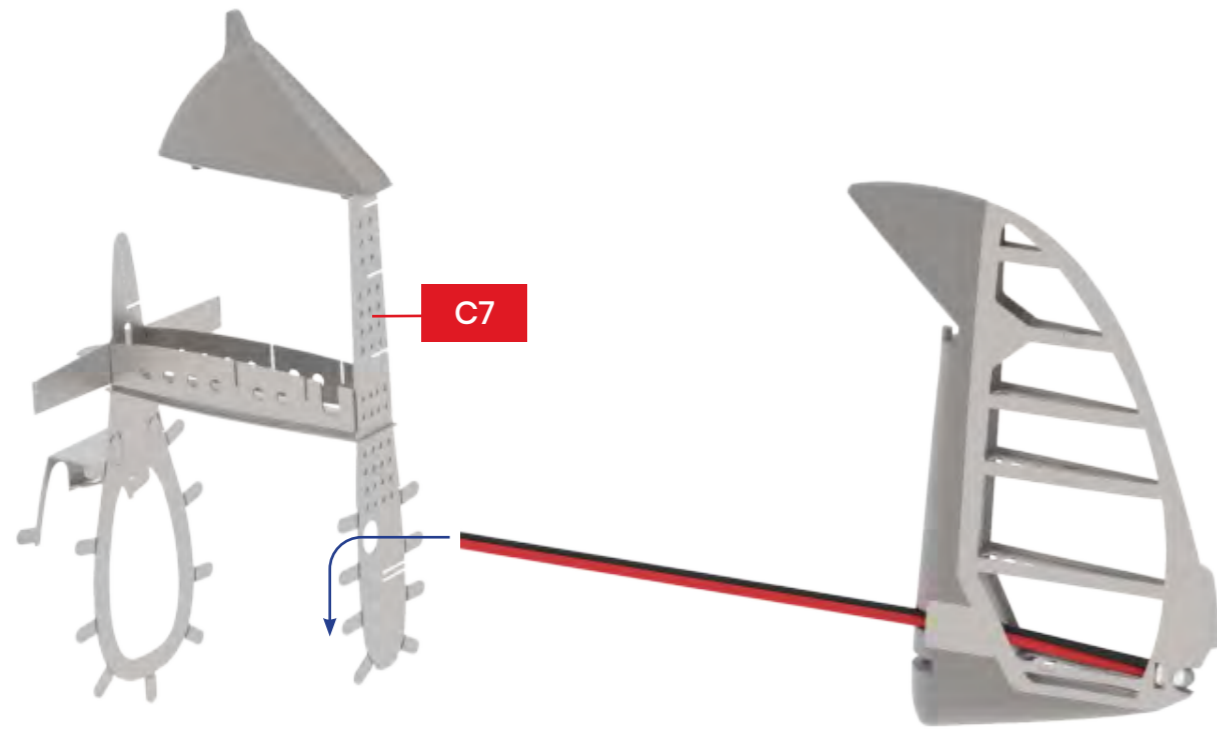
19



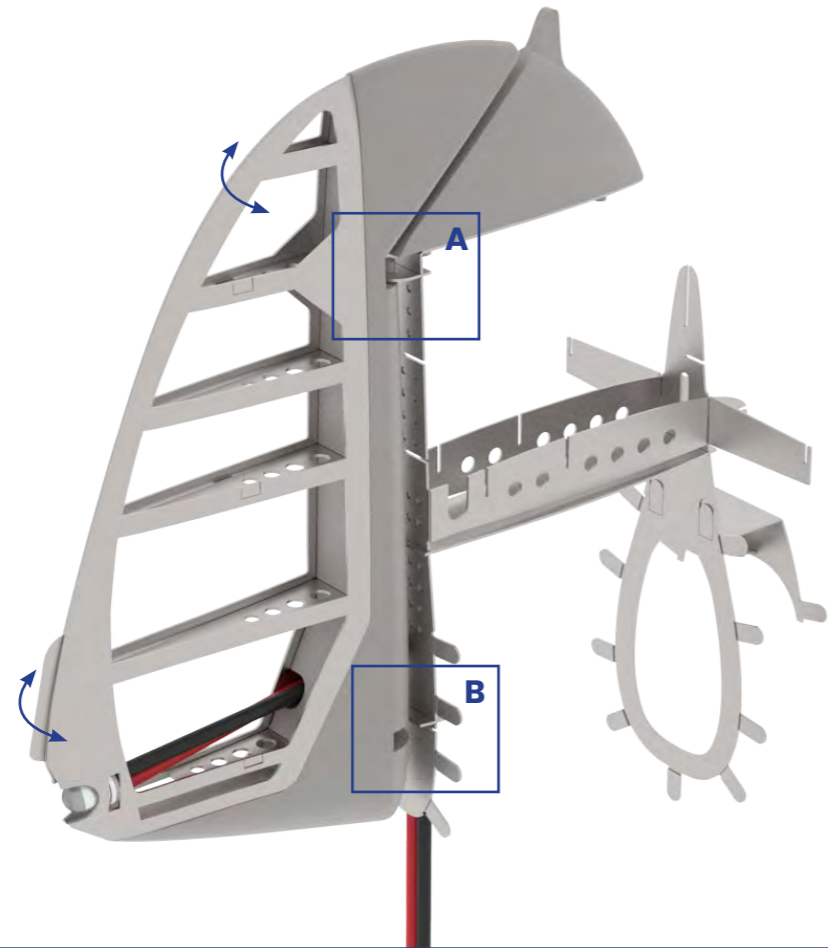
20



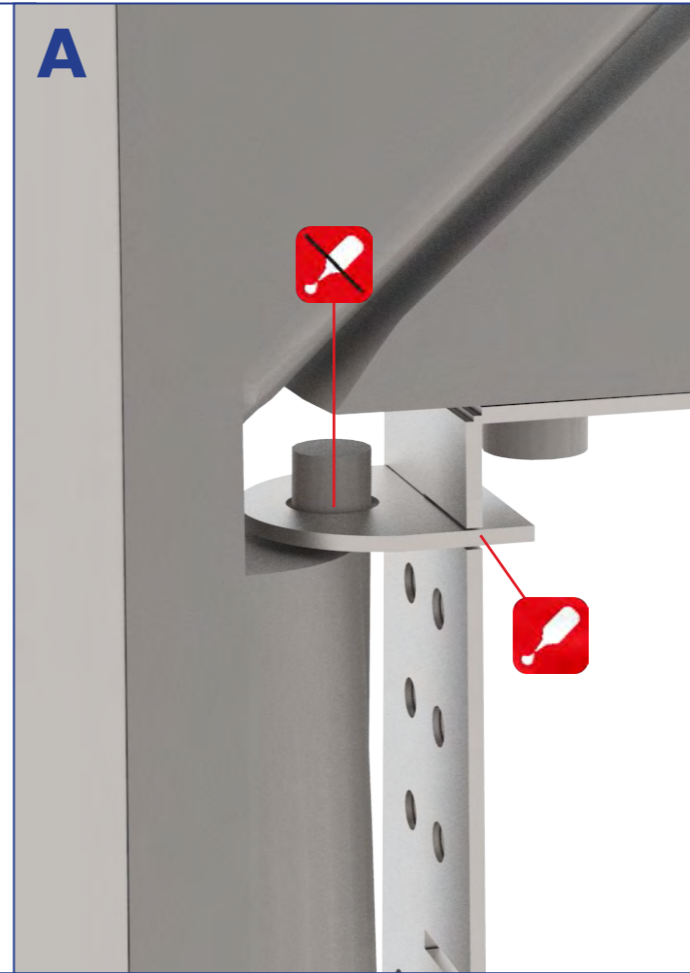
21



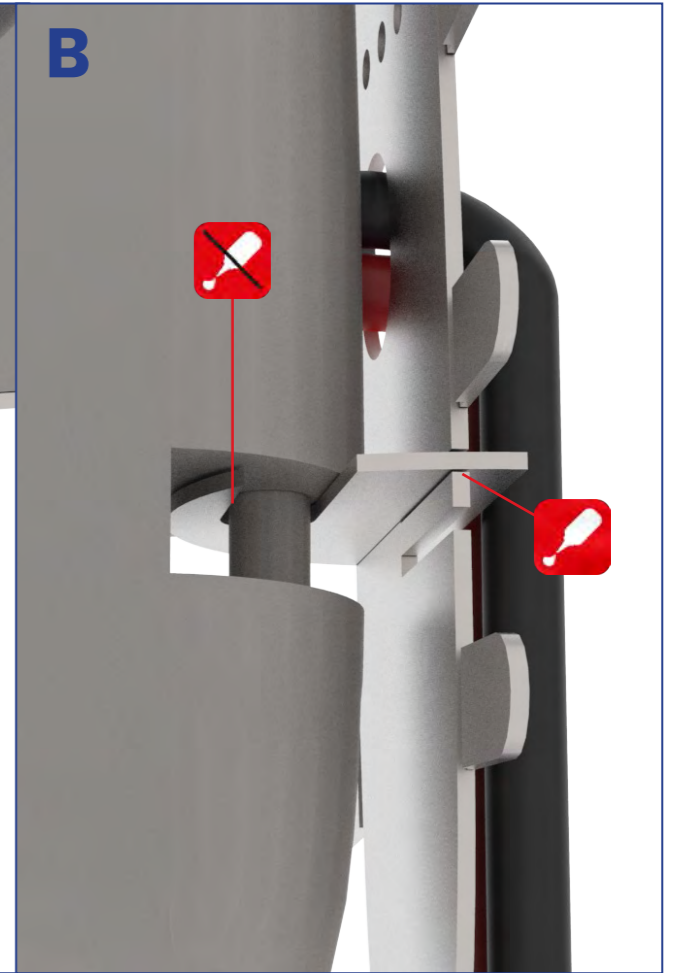
22



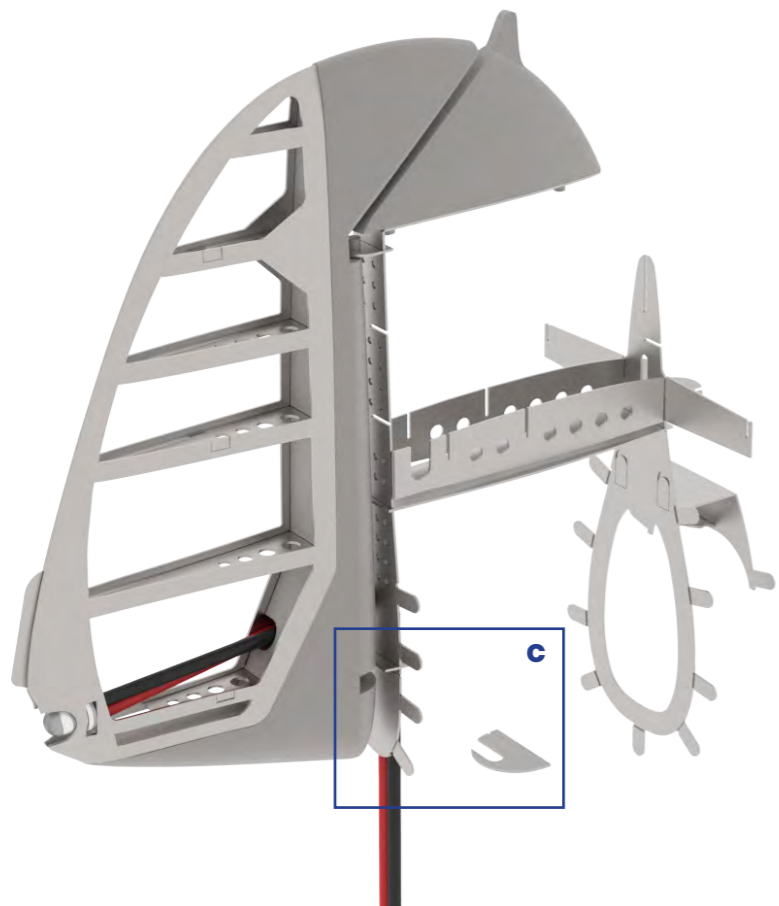
A



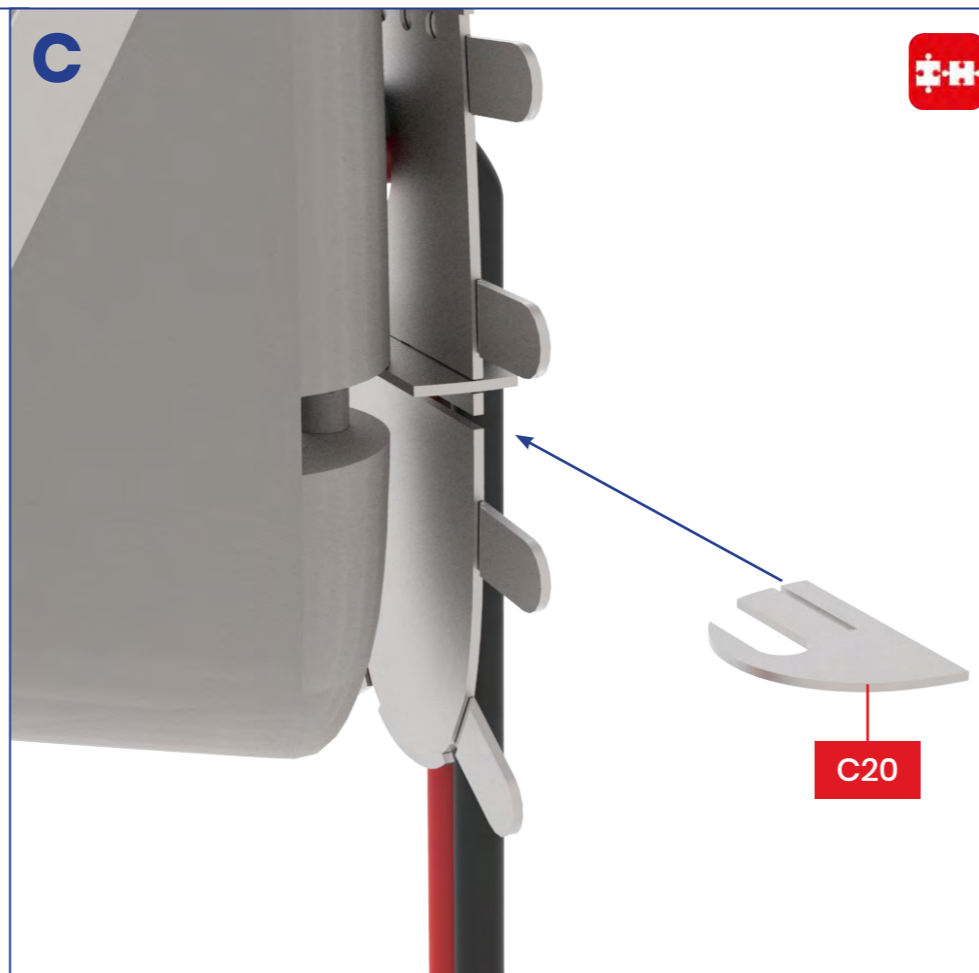
B



23



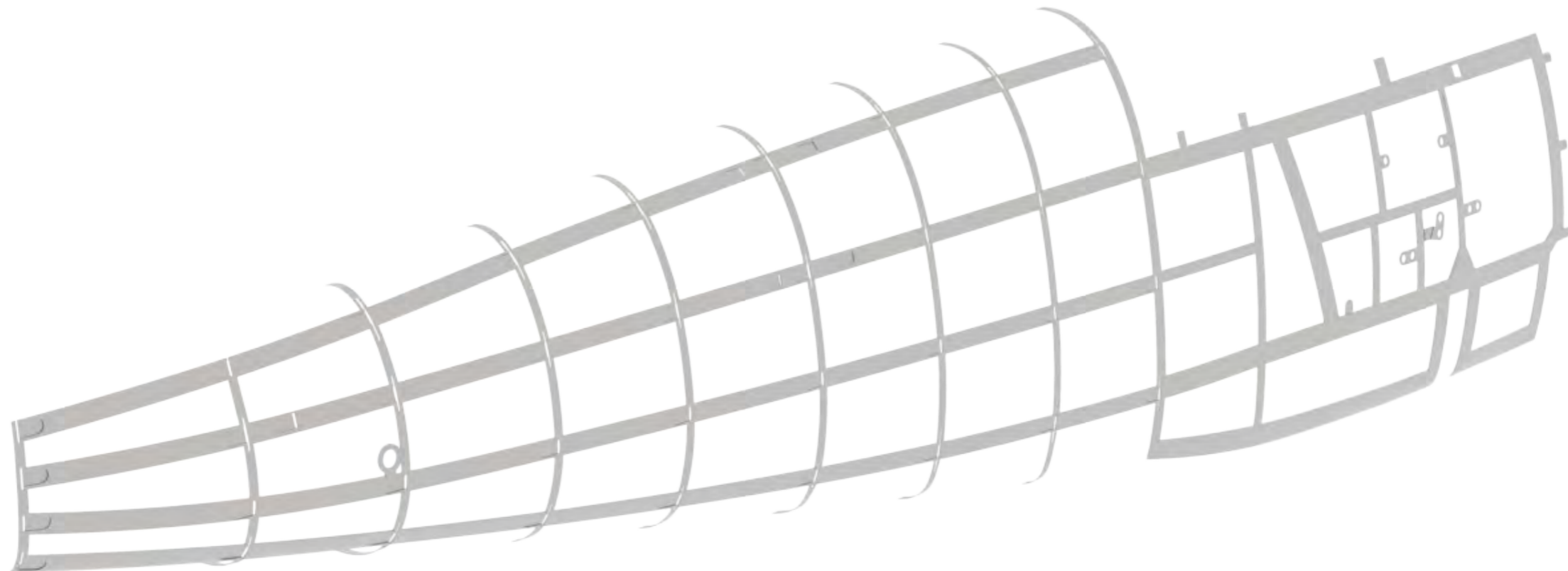
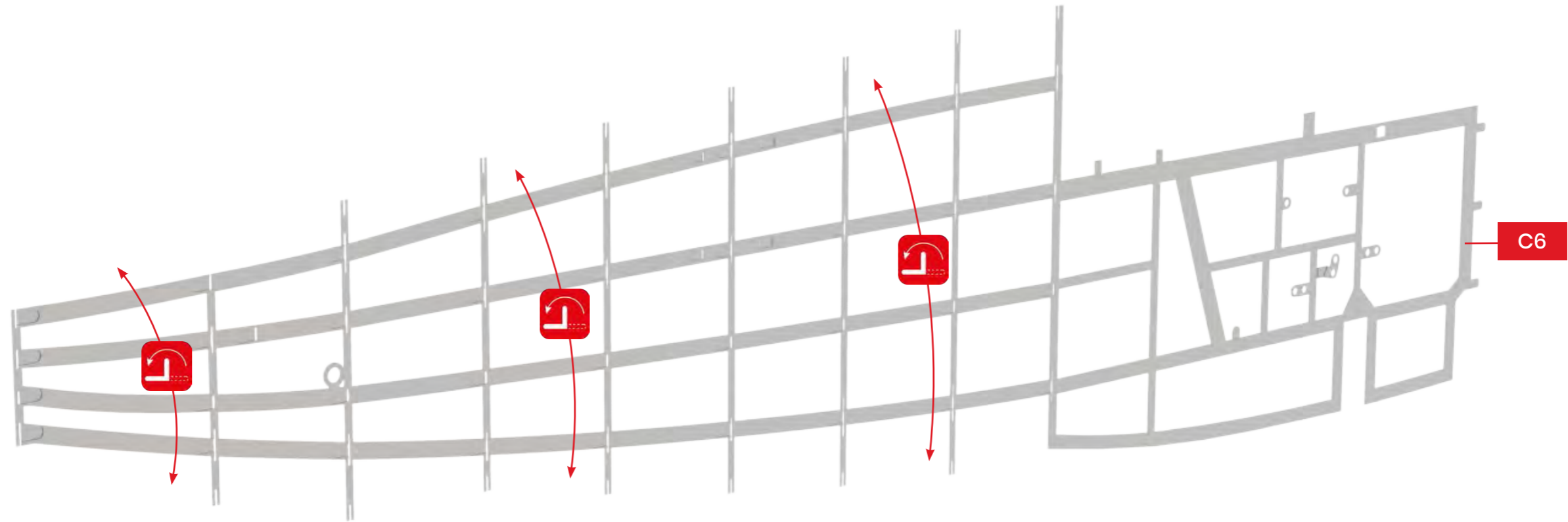
C



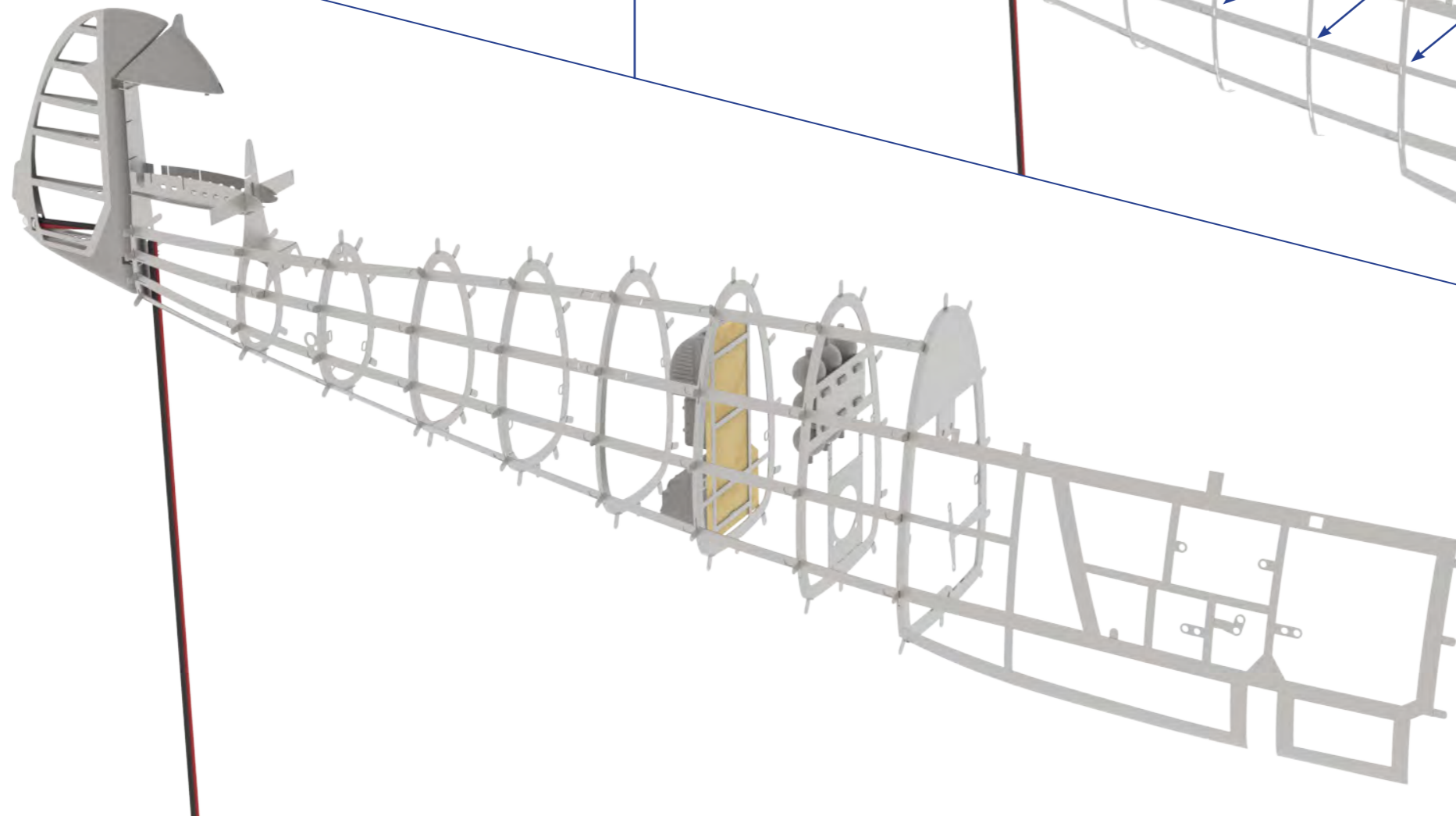
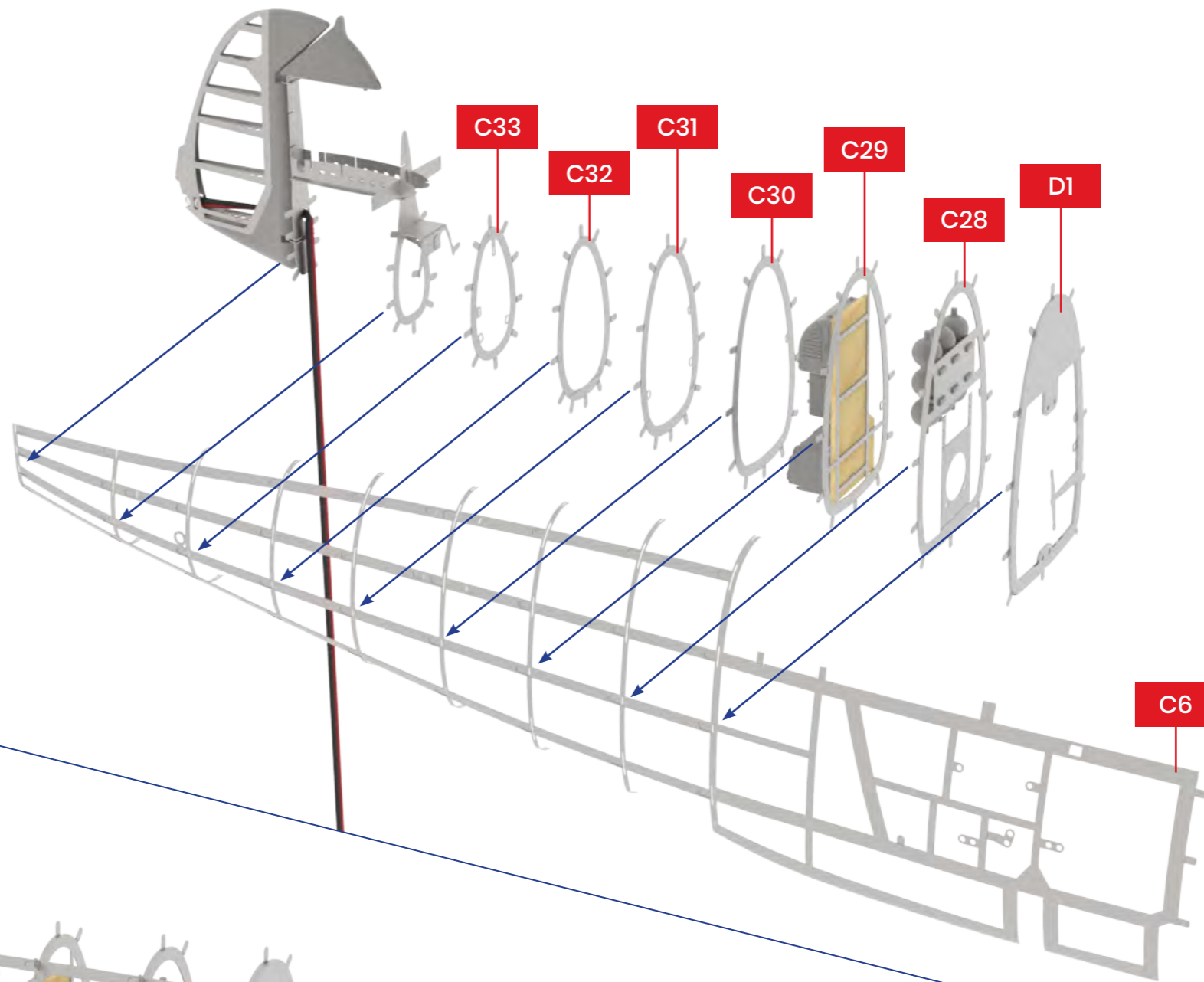
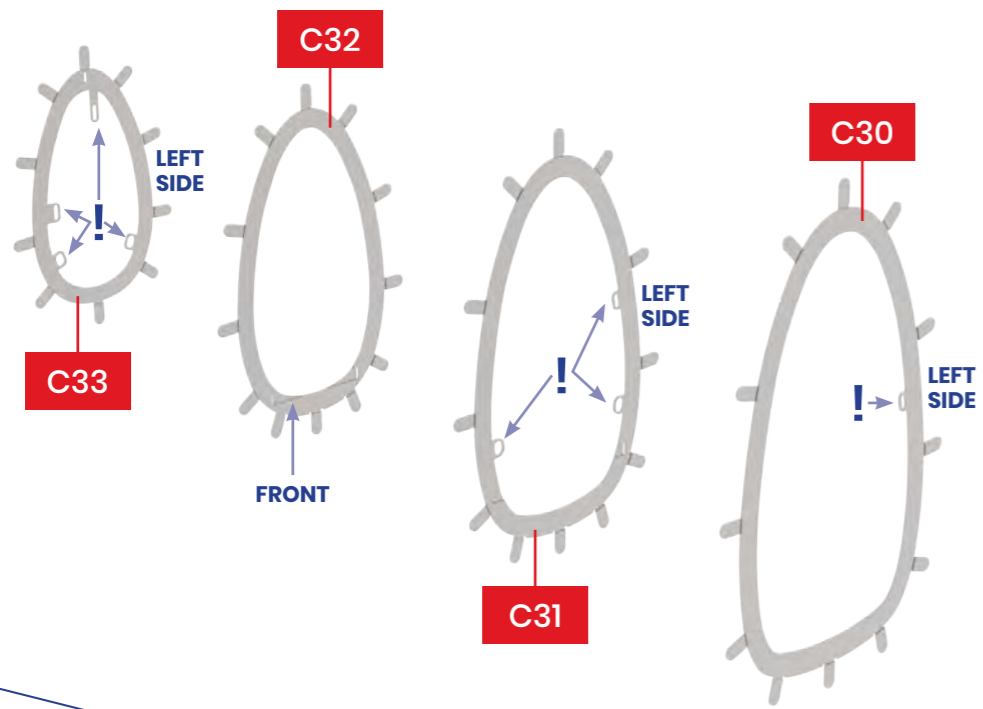
C



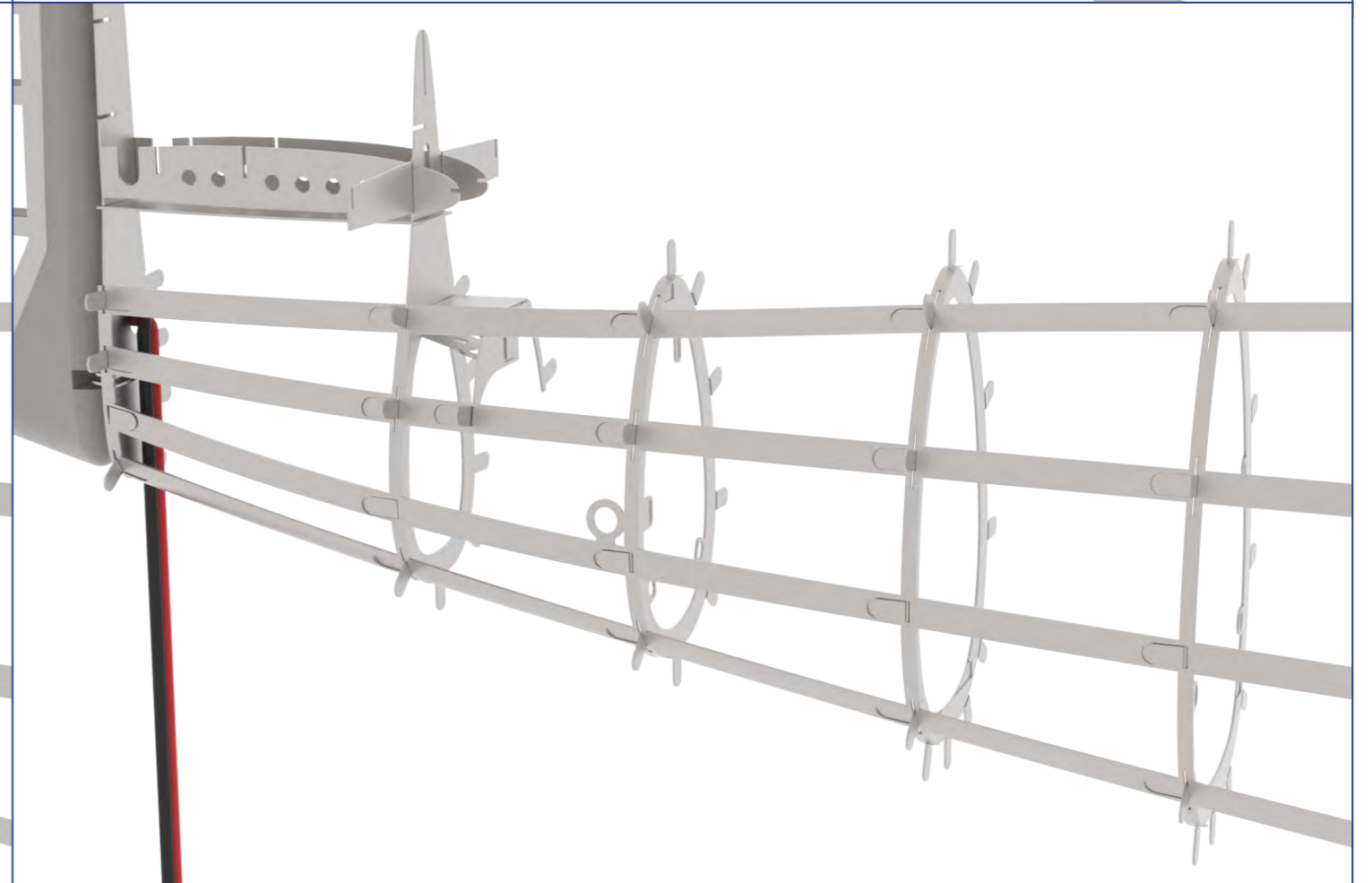
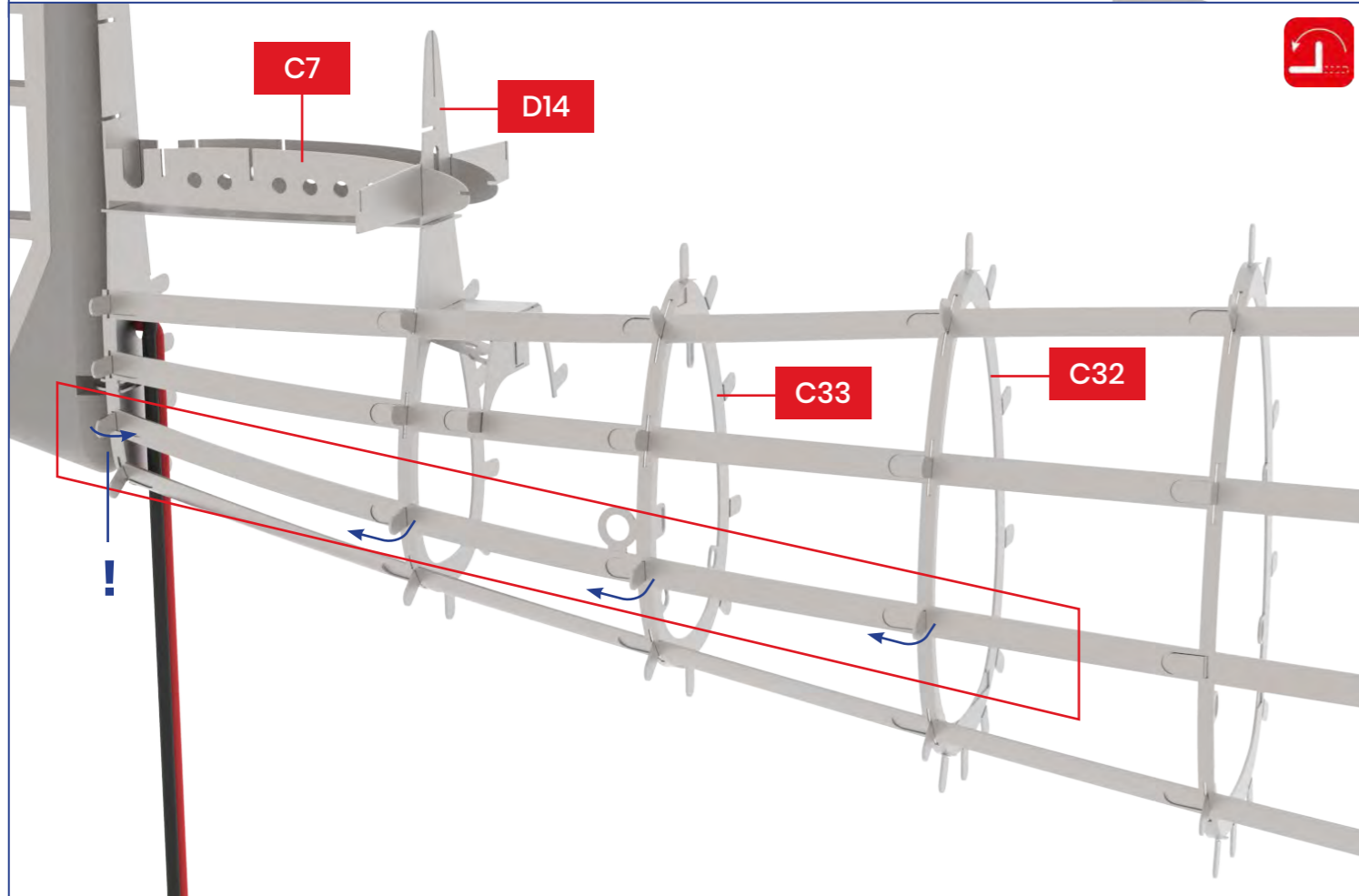
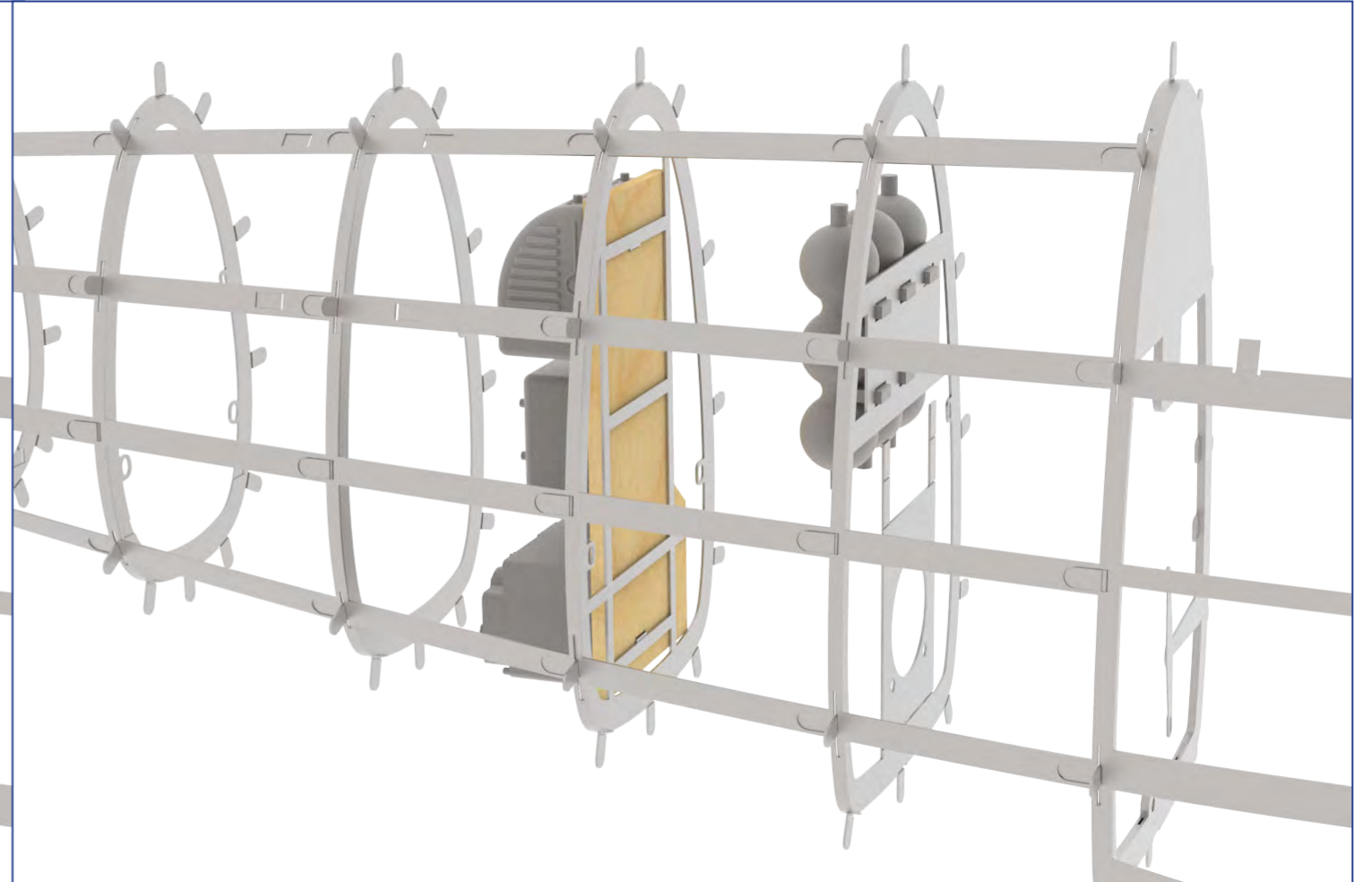
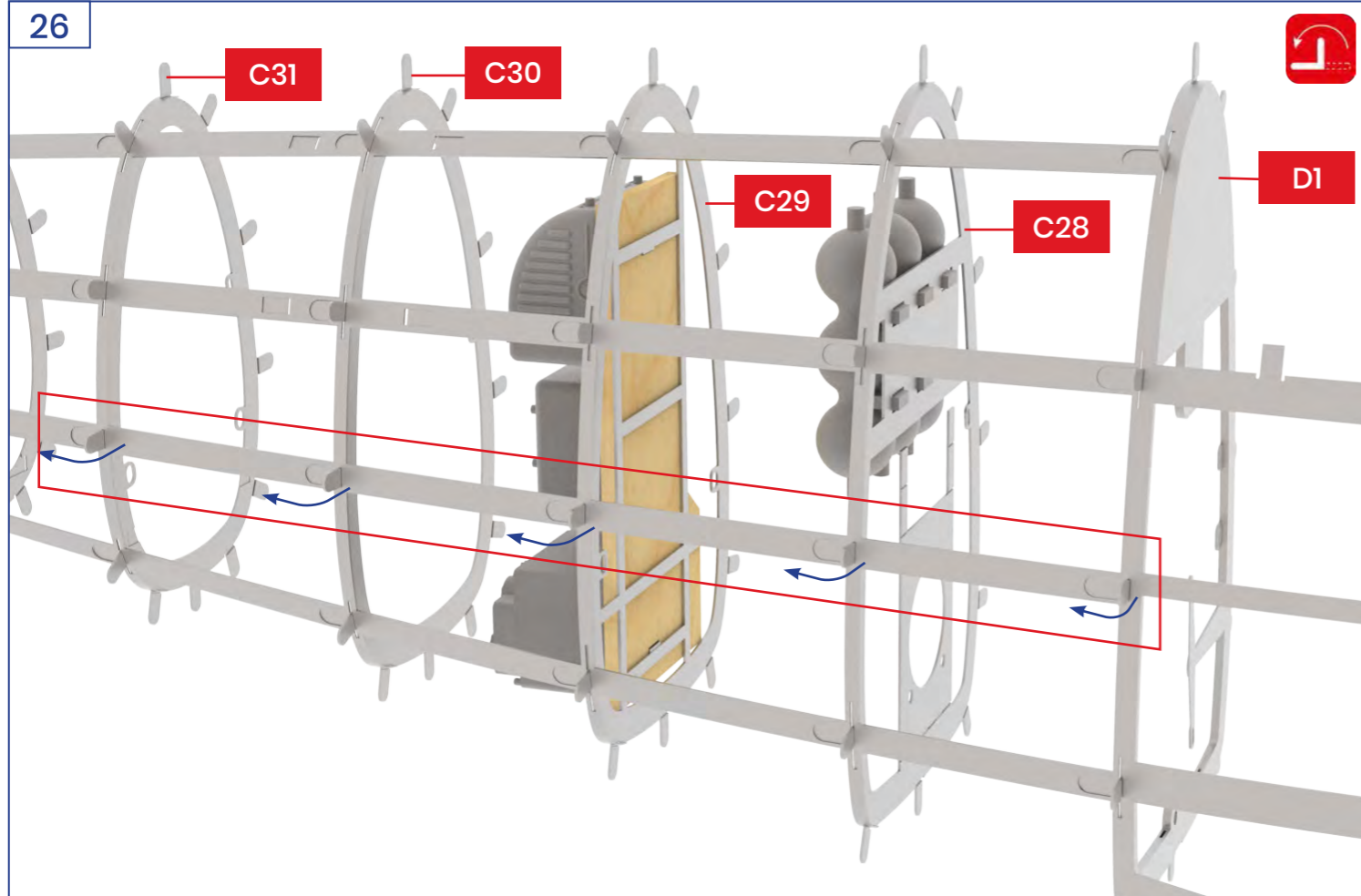
24

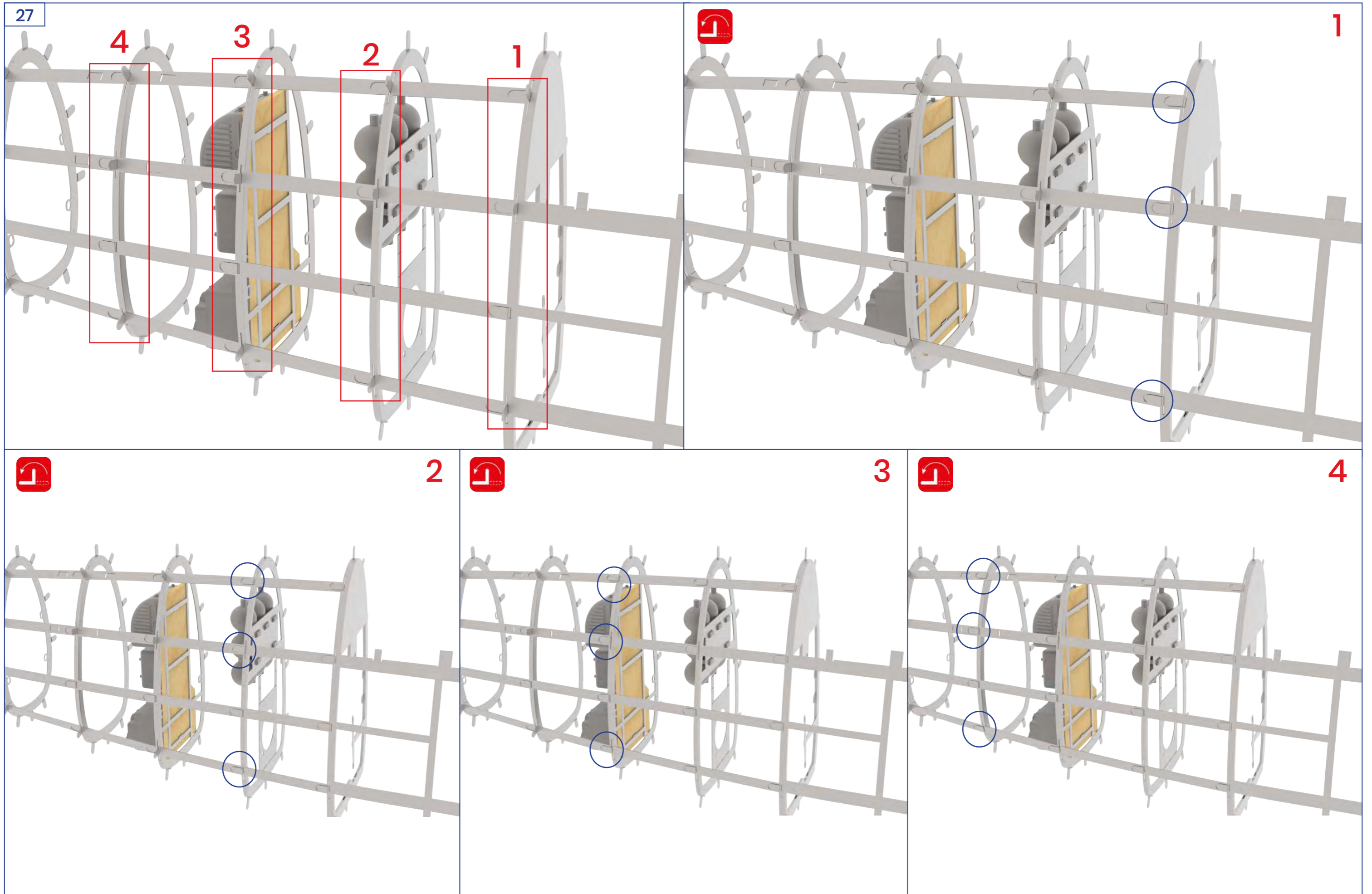


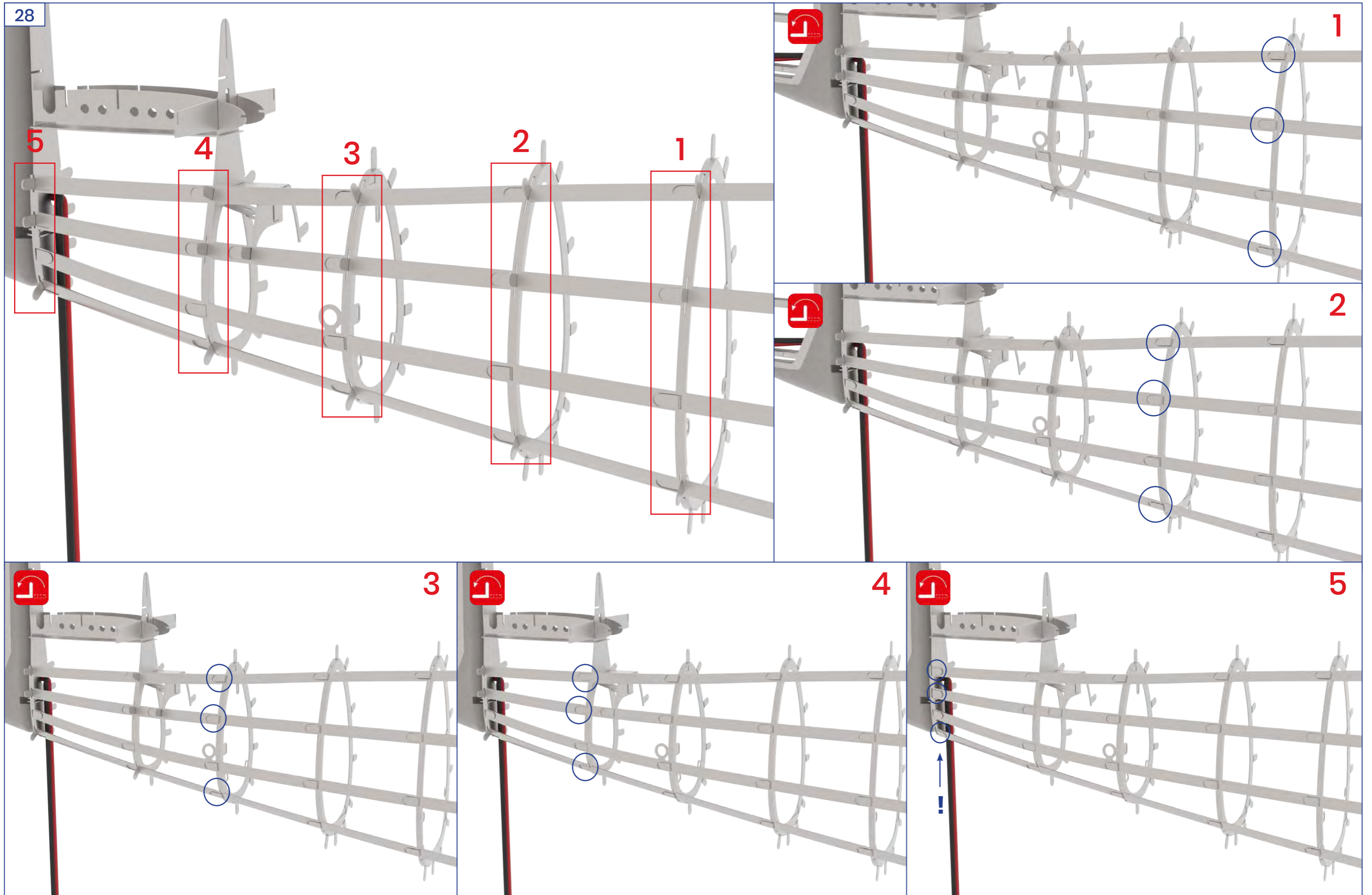
25

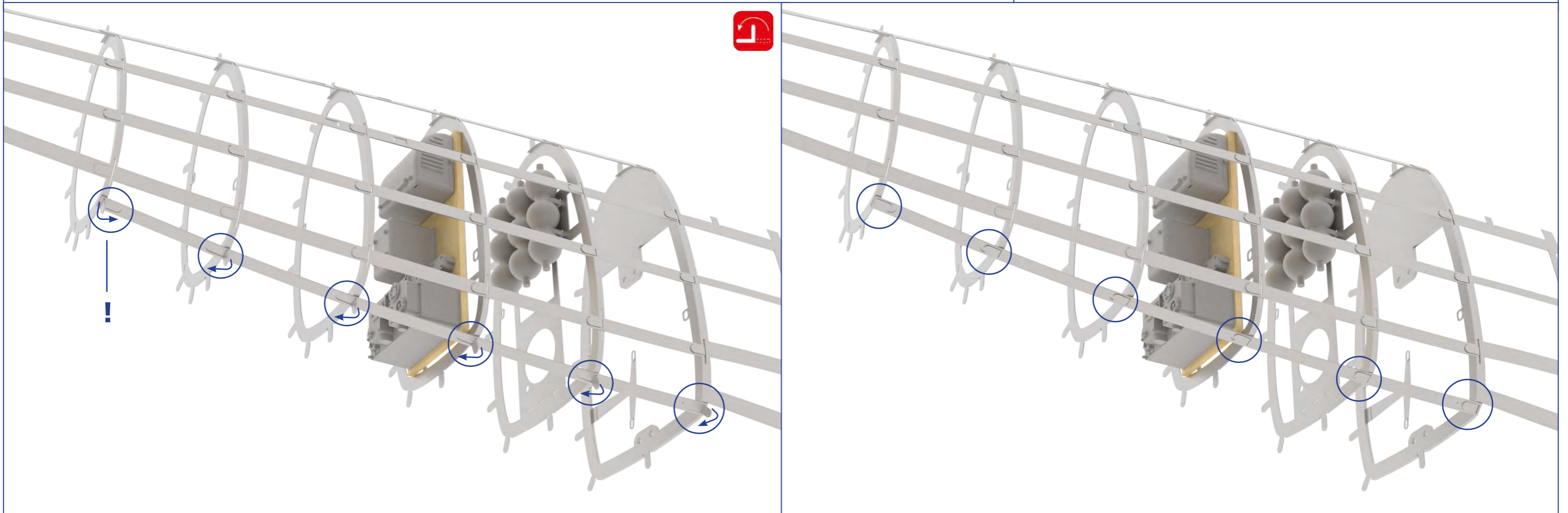
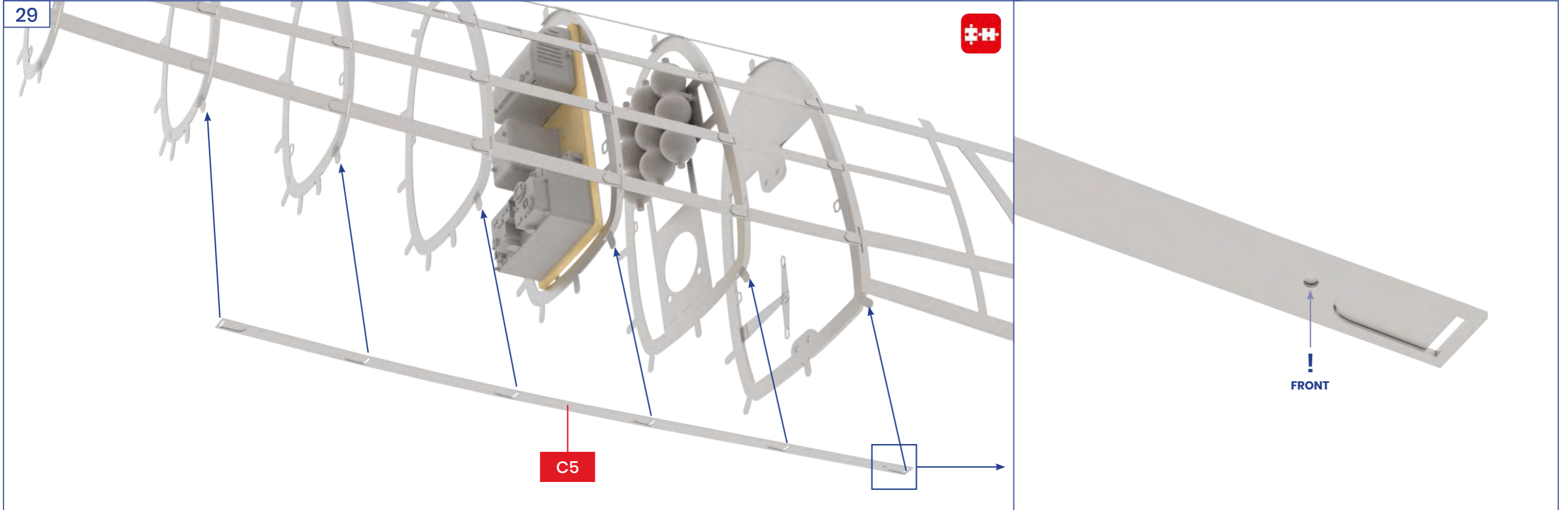


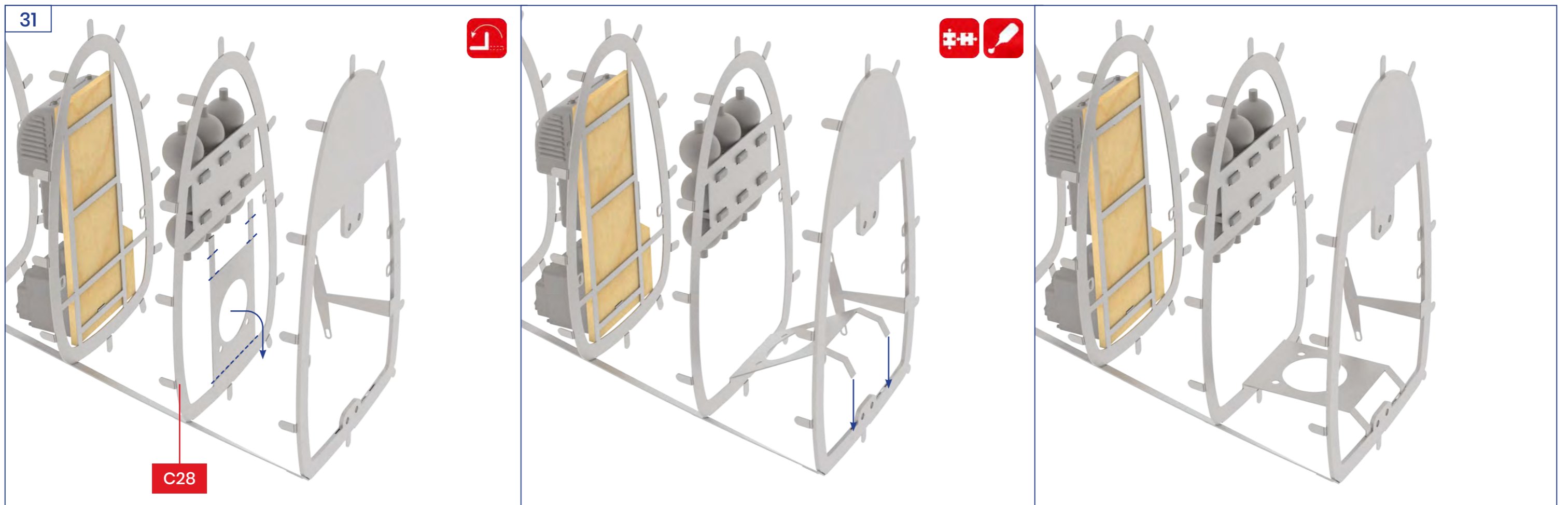
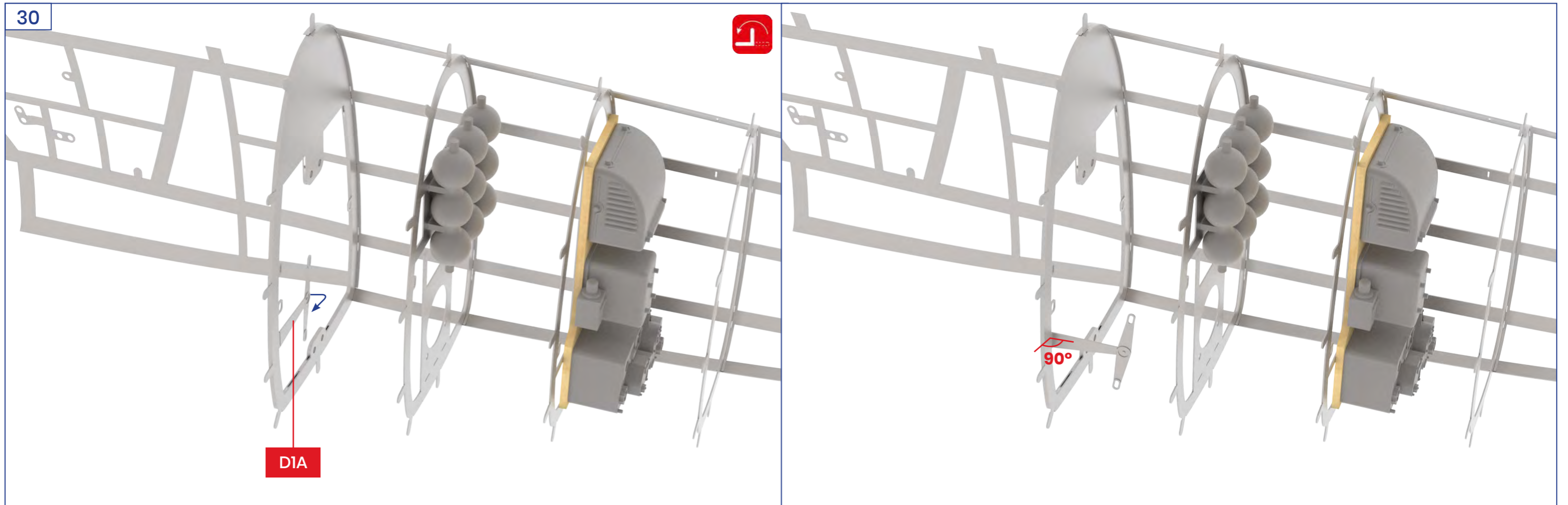
26



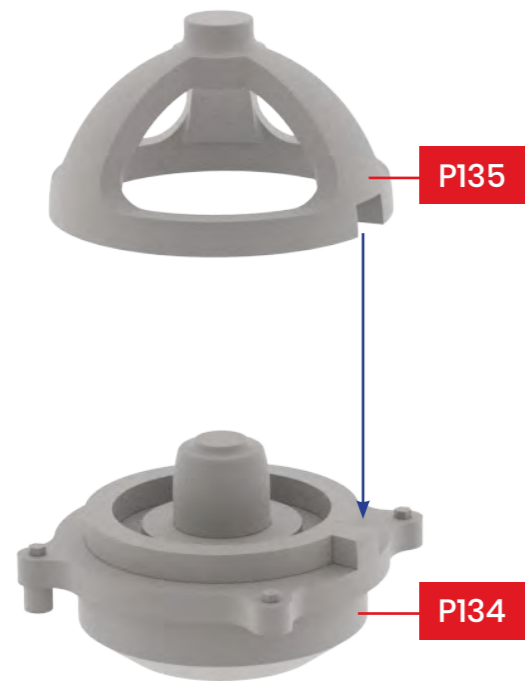




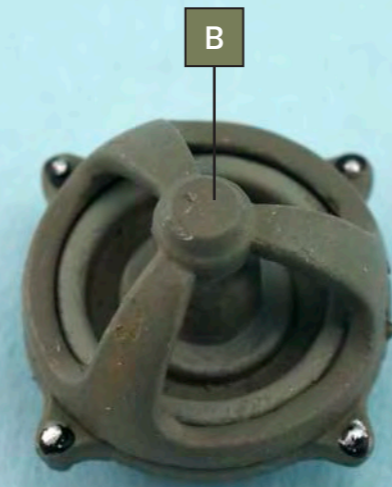




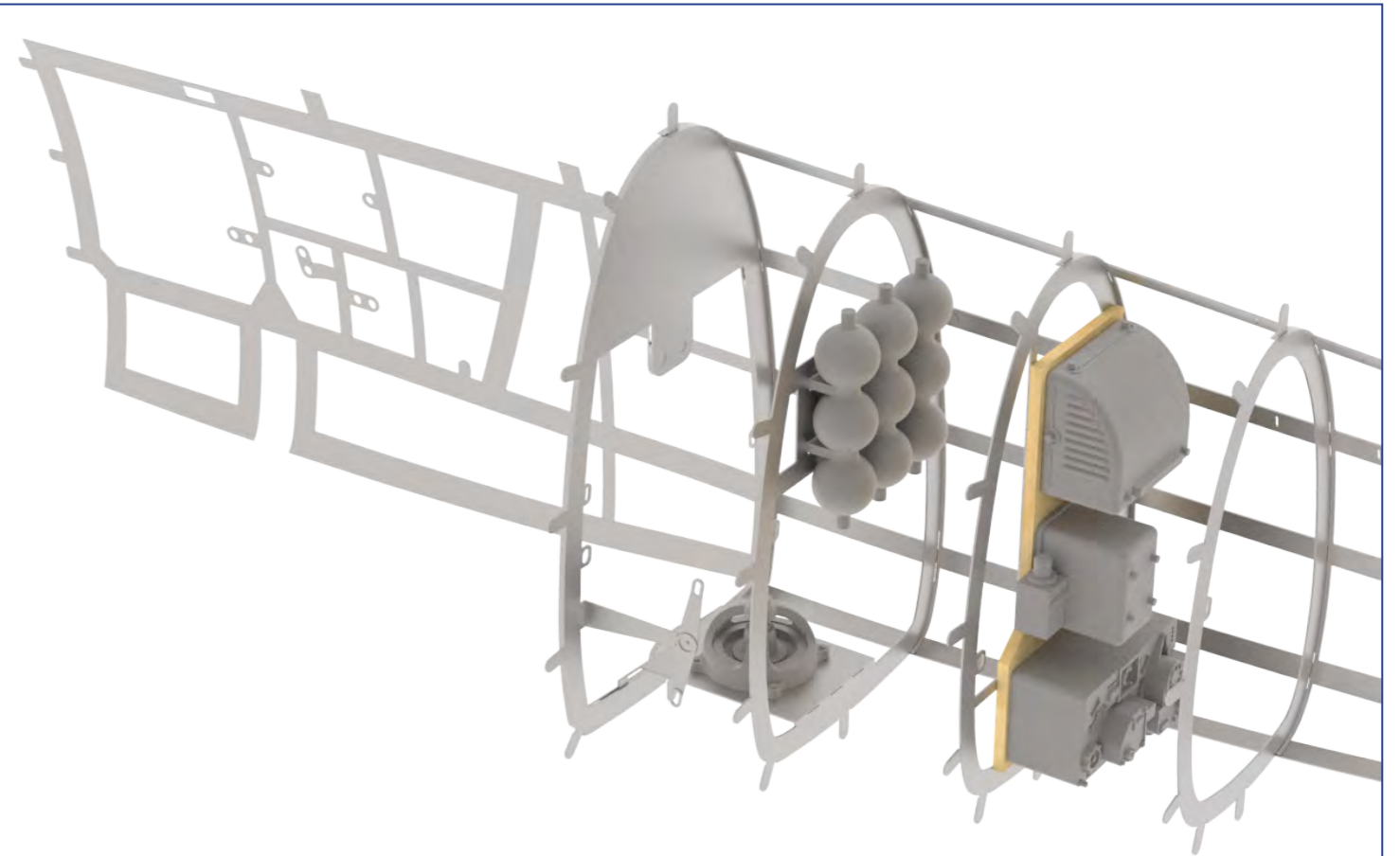
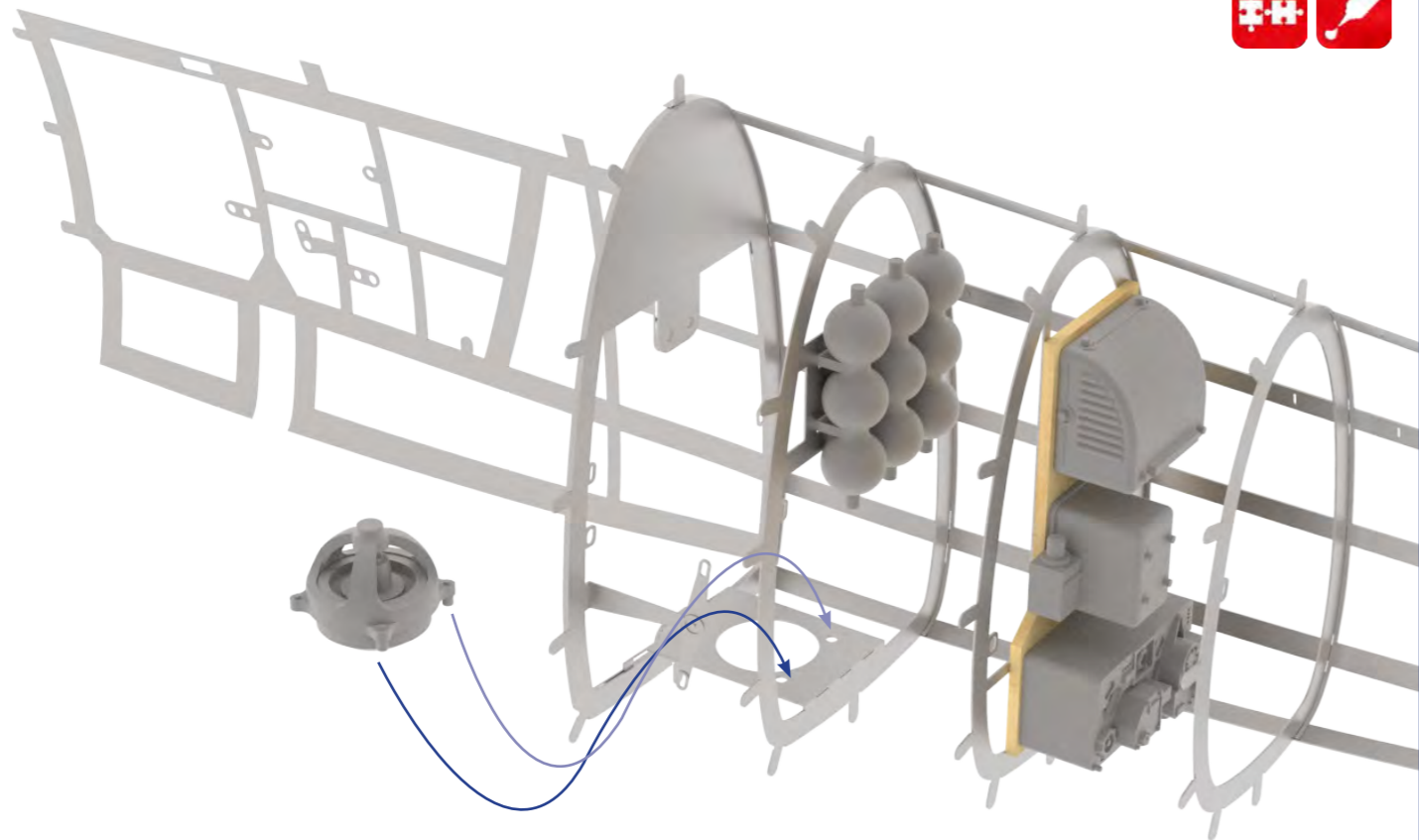
32



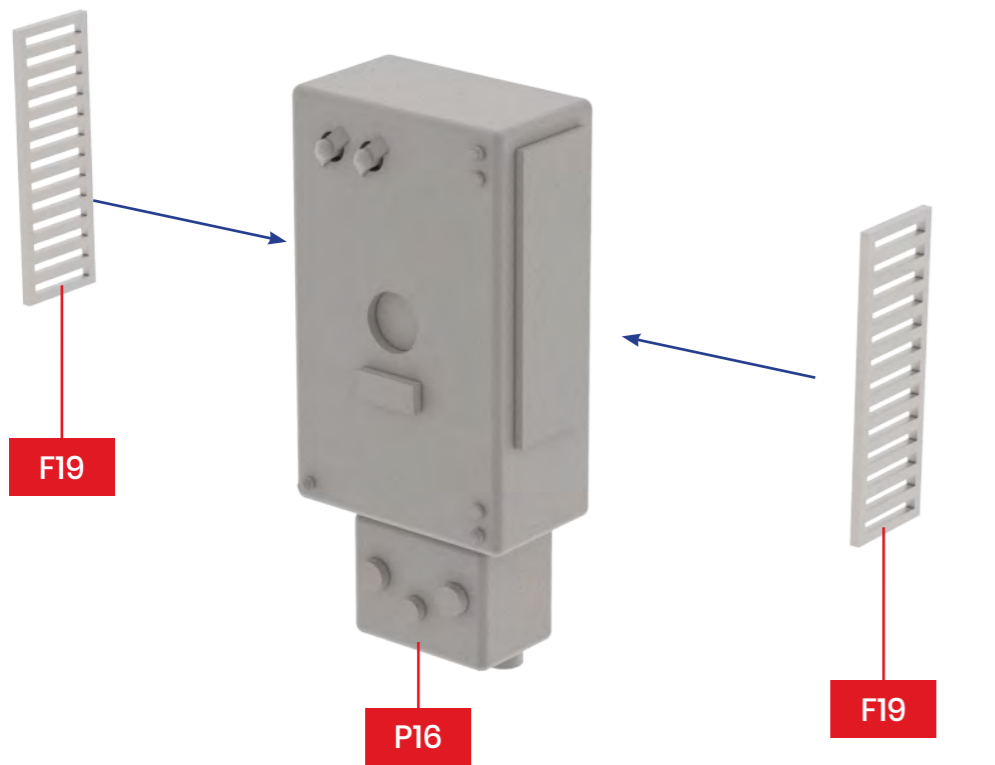
33



34



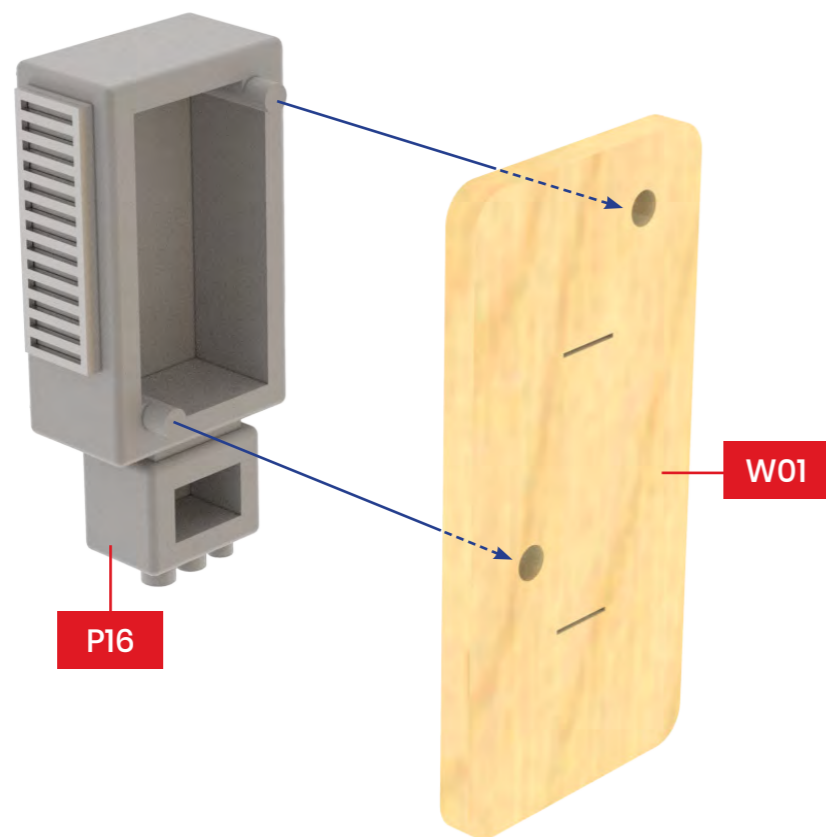
35



36



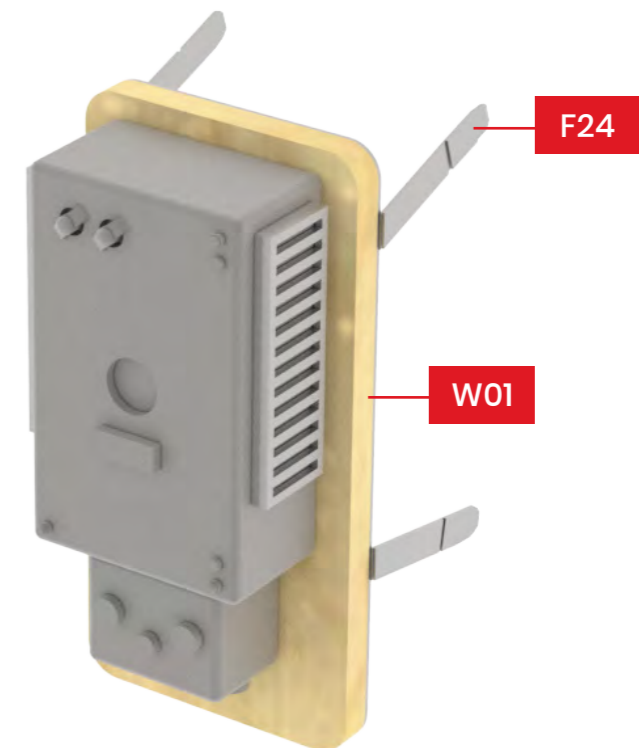
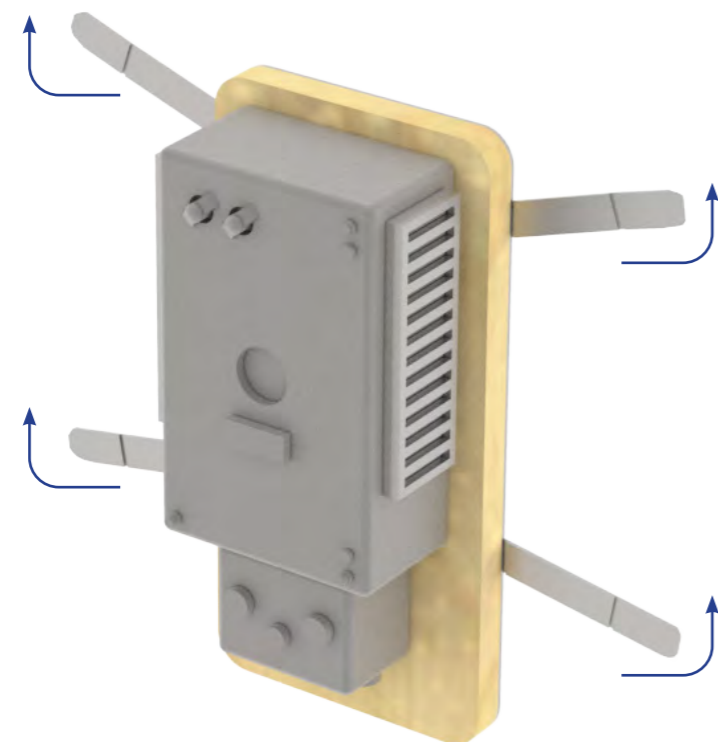
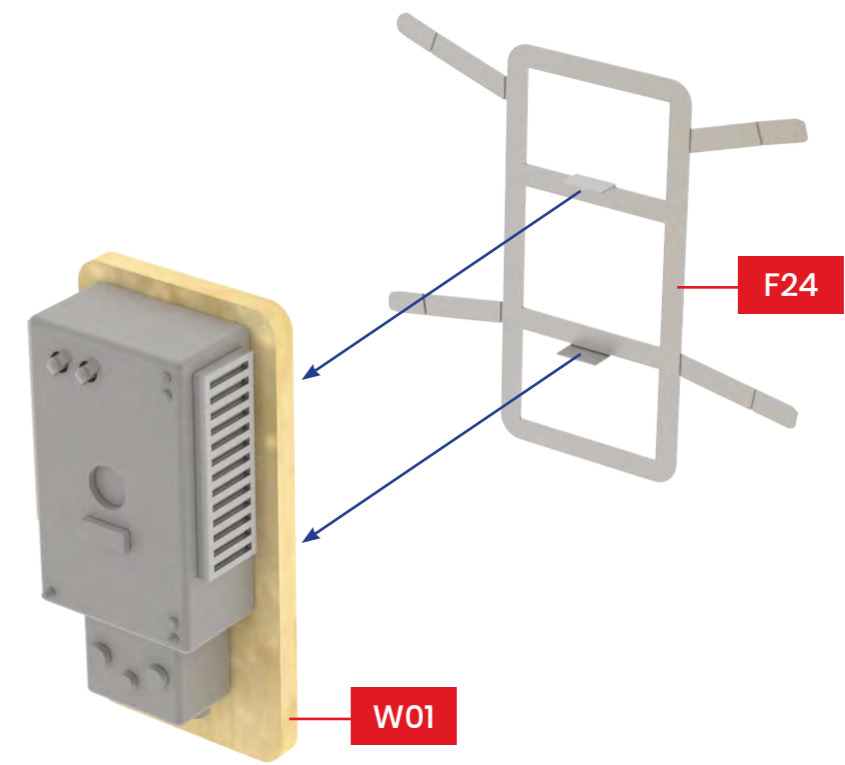
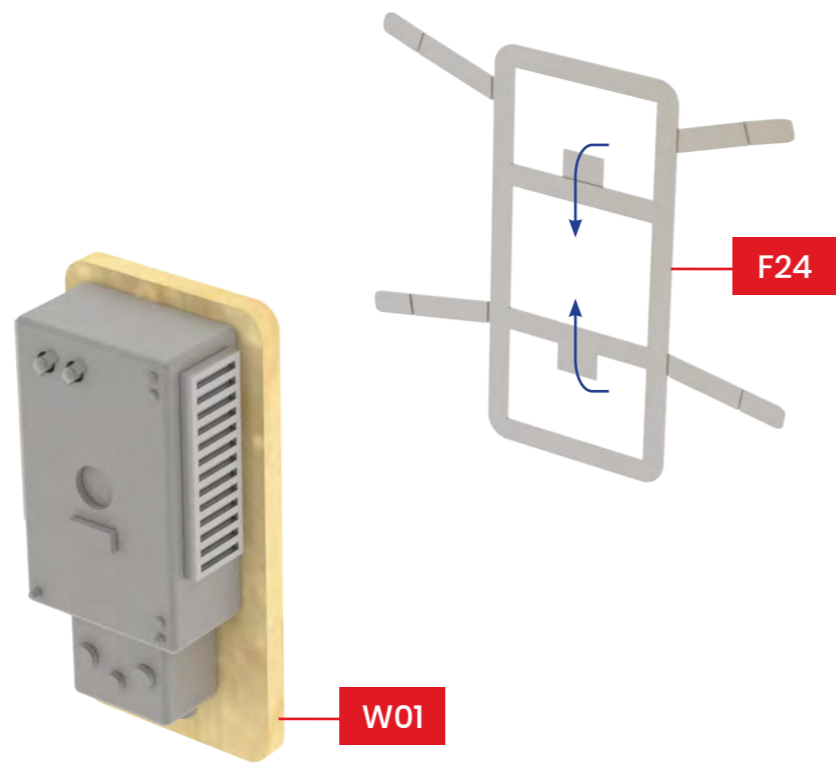
37



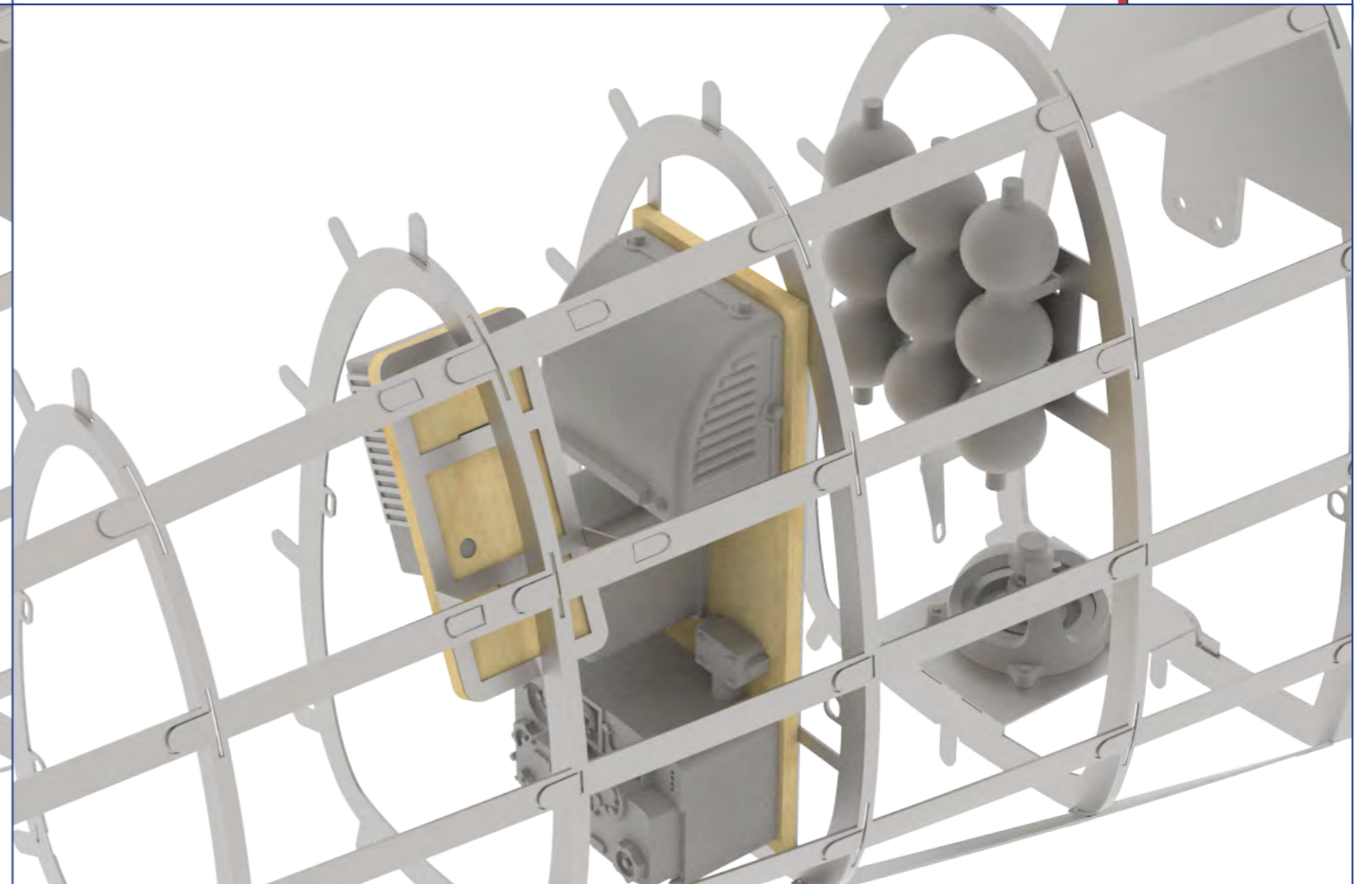
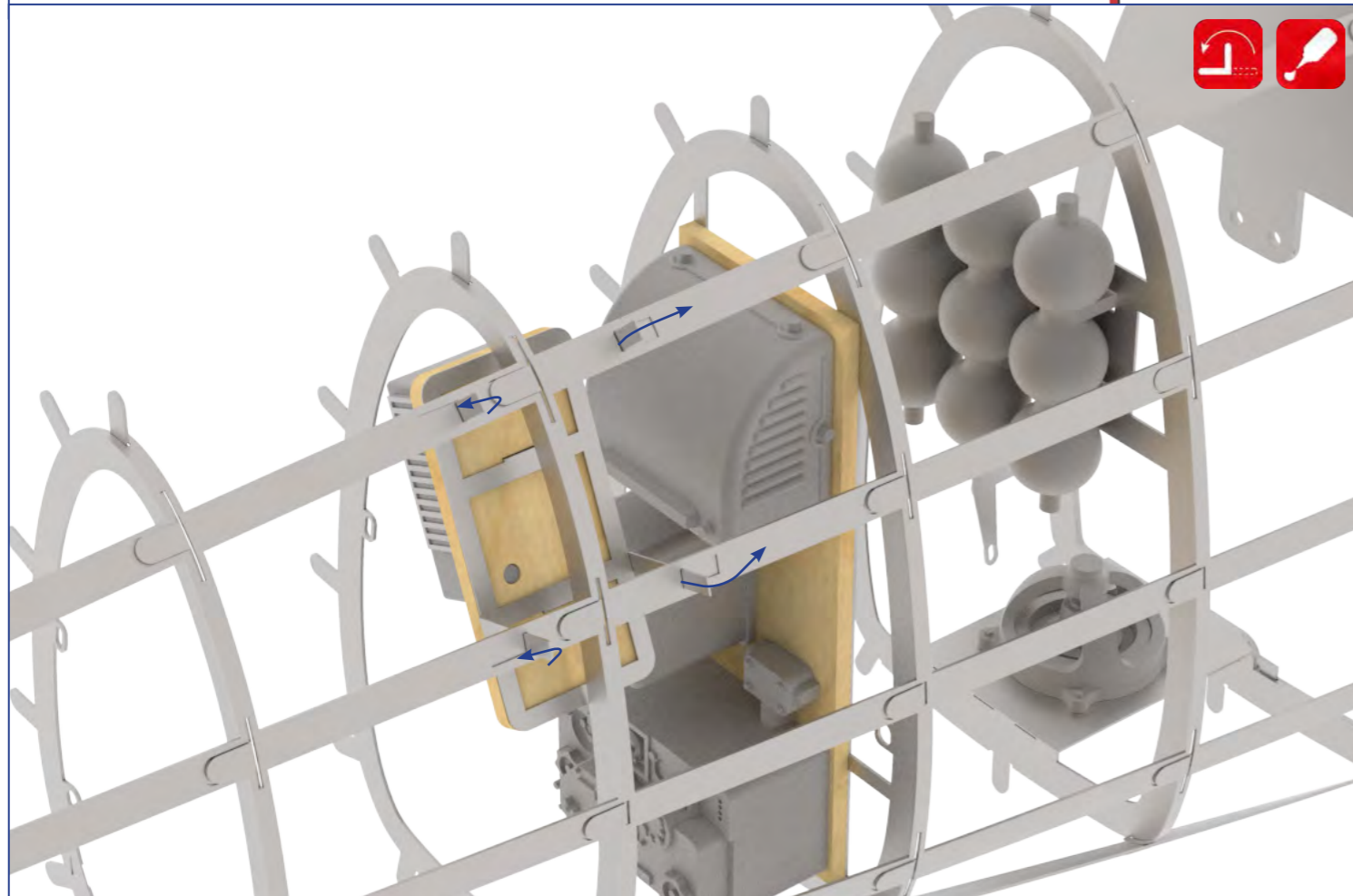
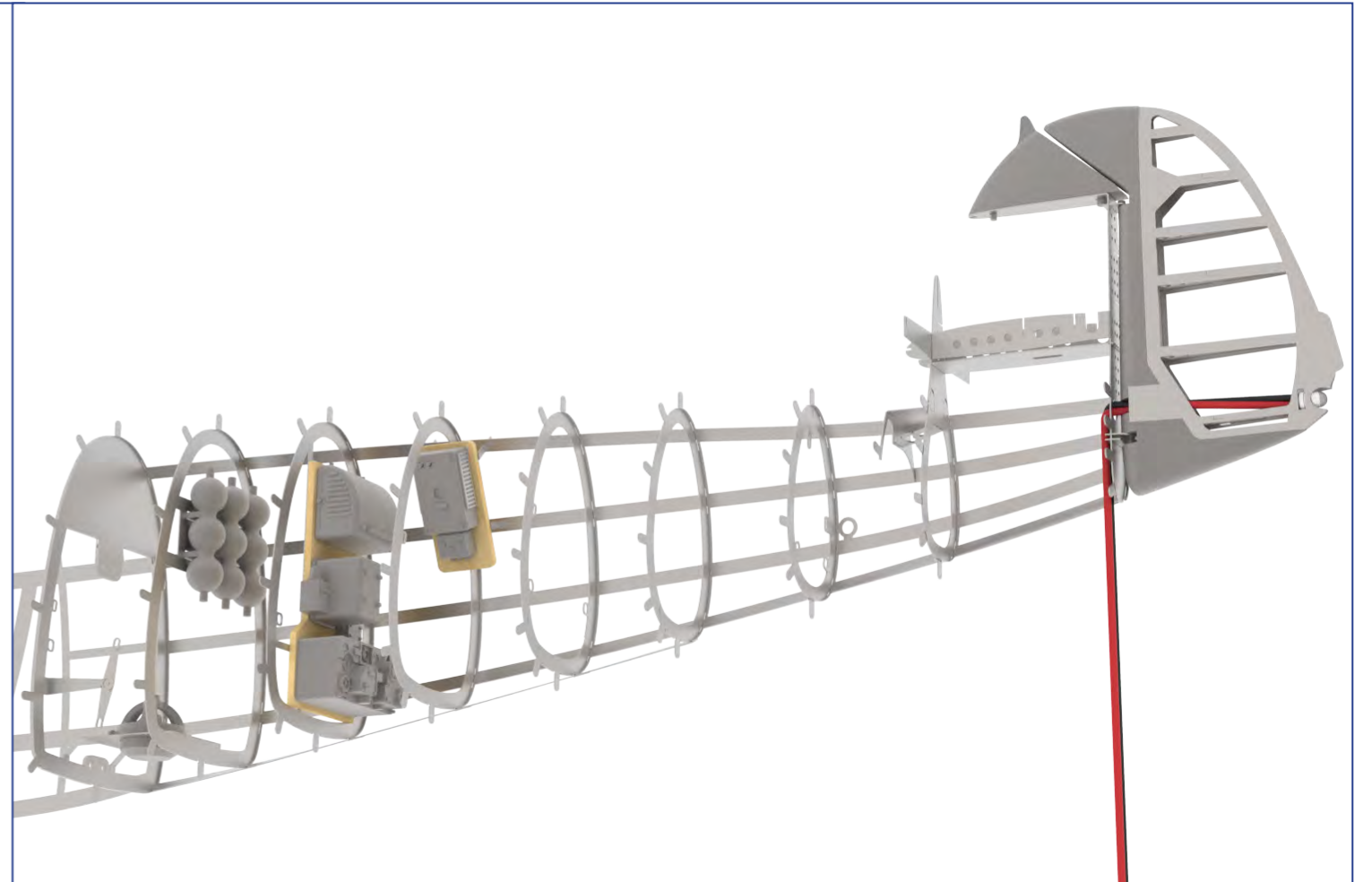
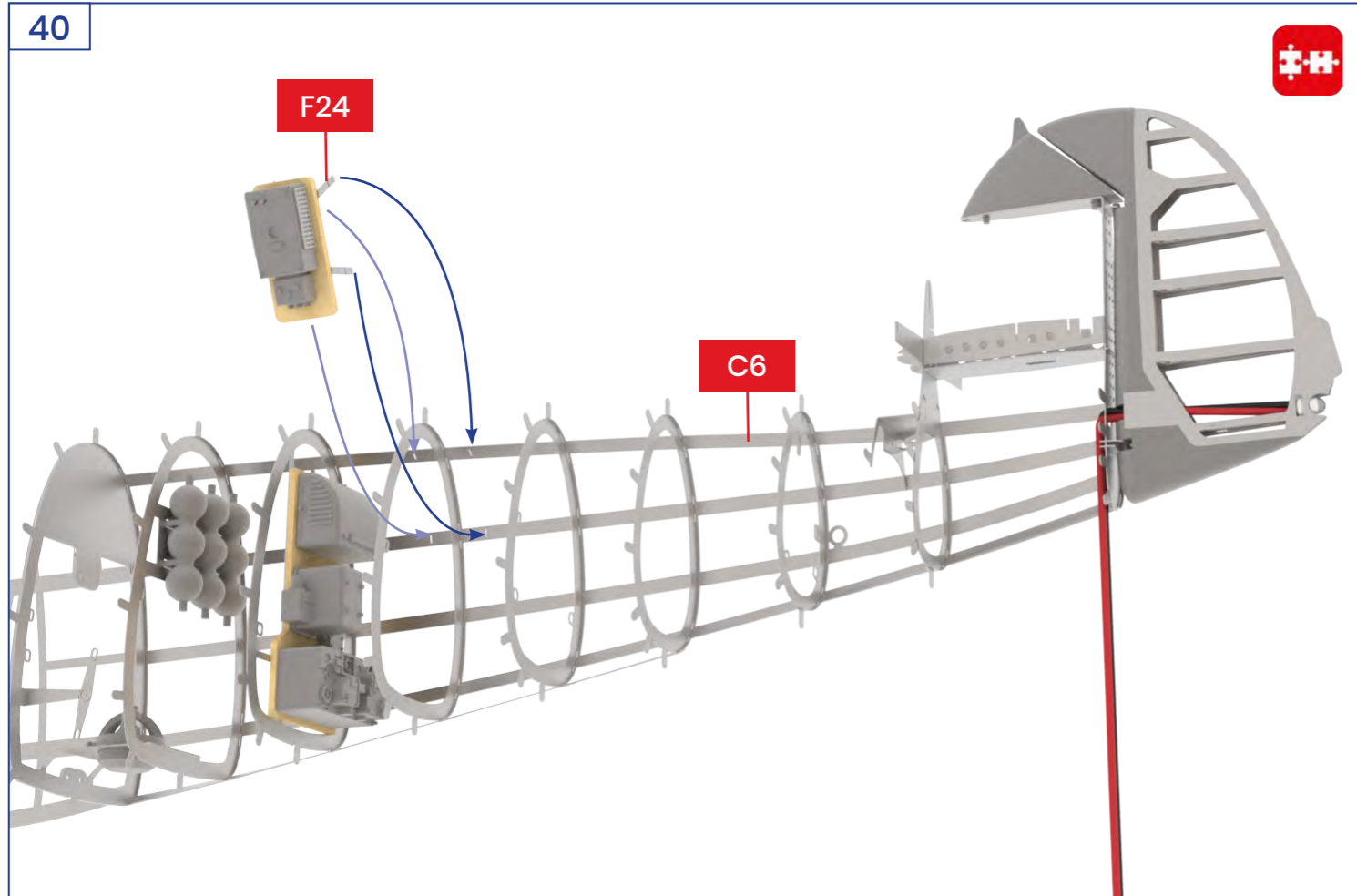
38



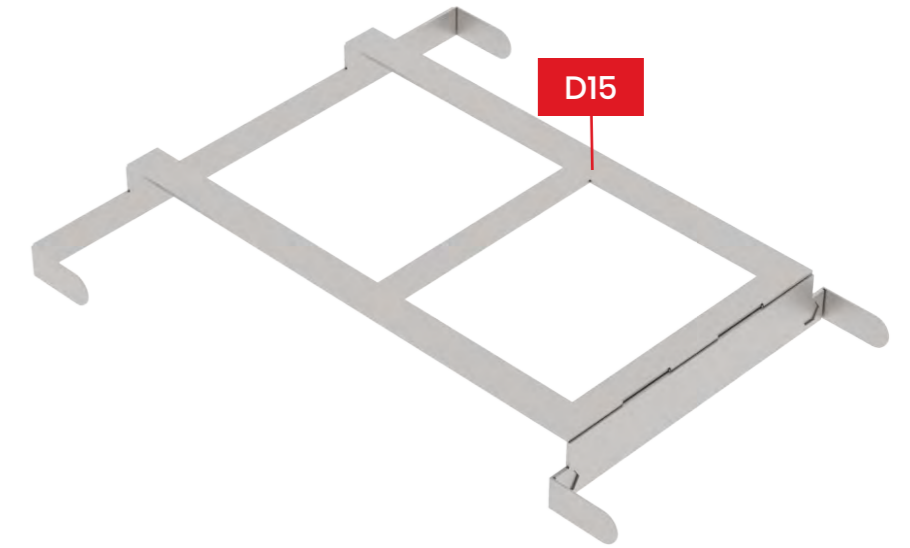
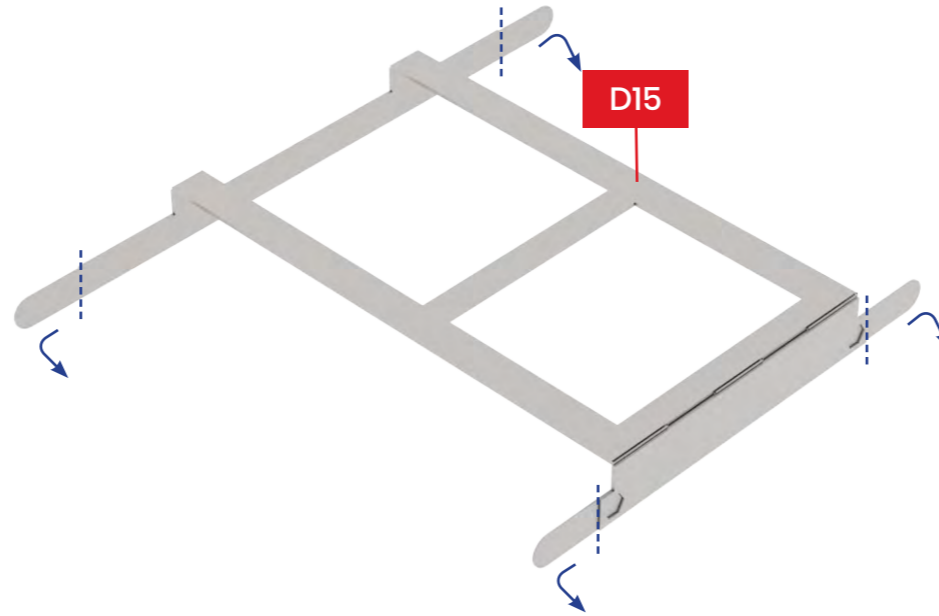
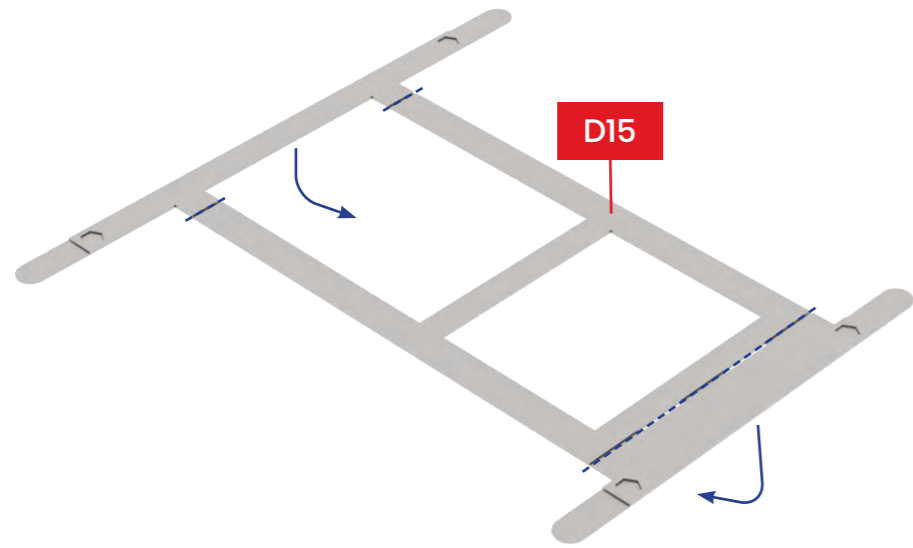
39



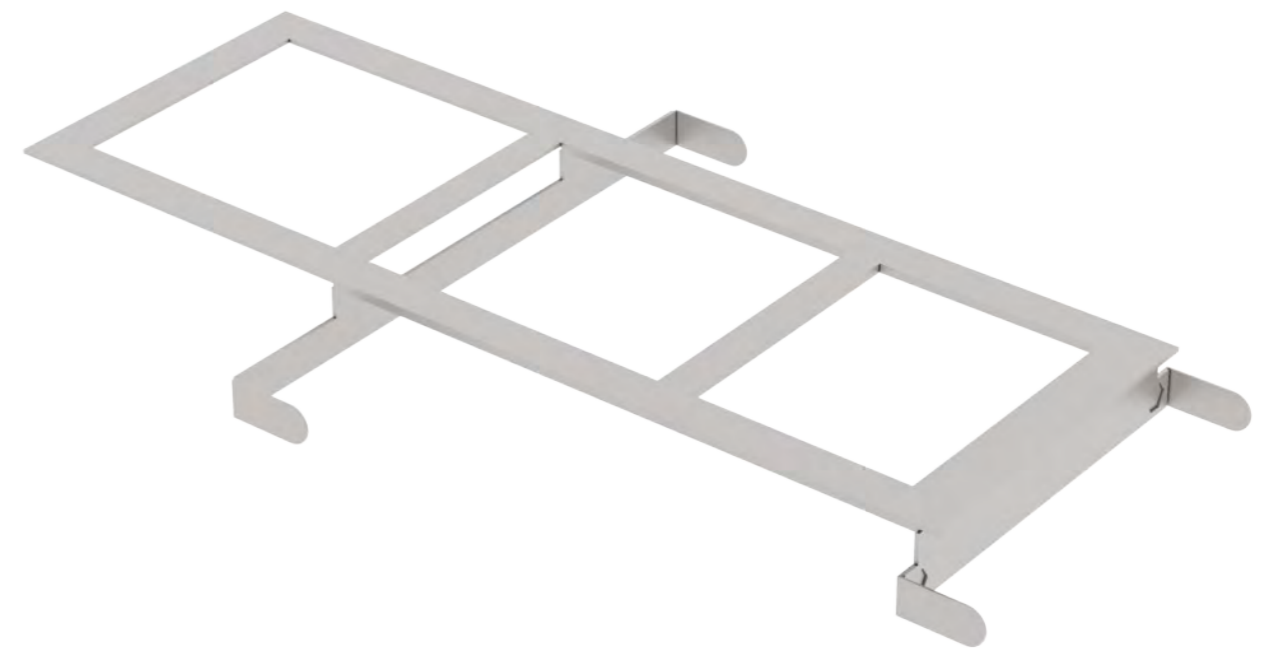
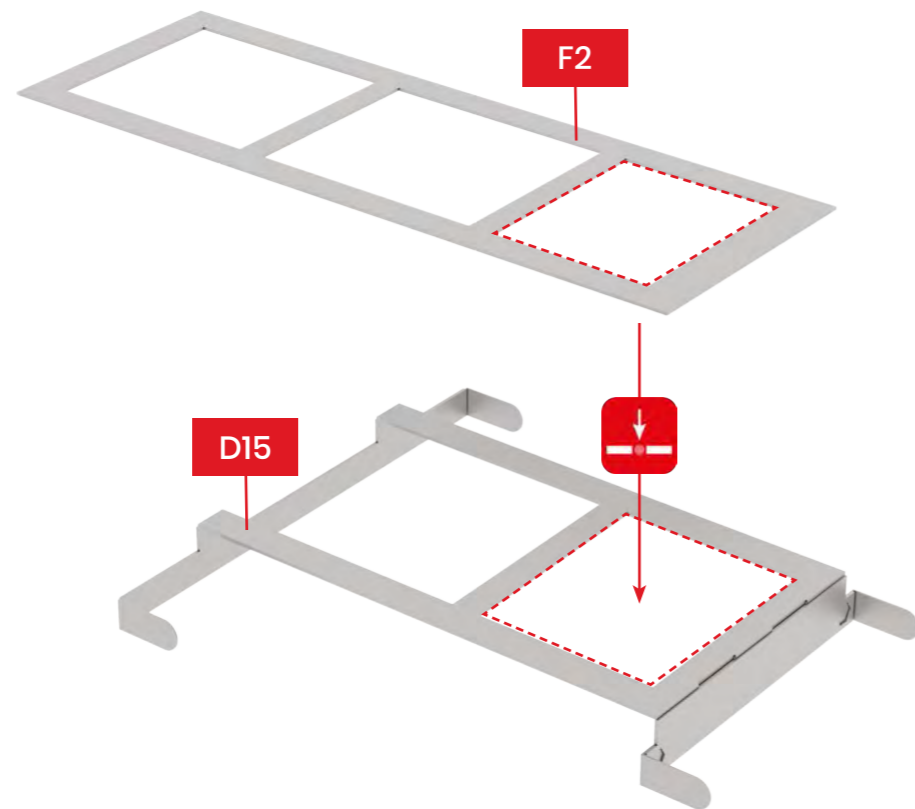
40



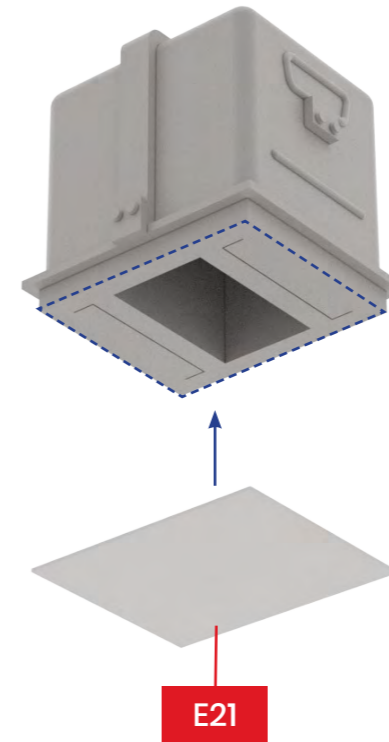
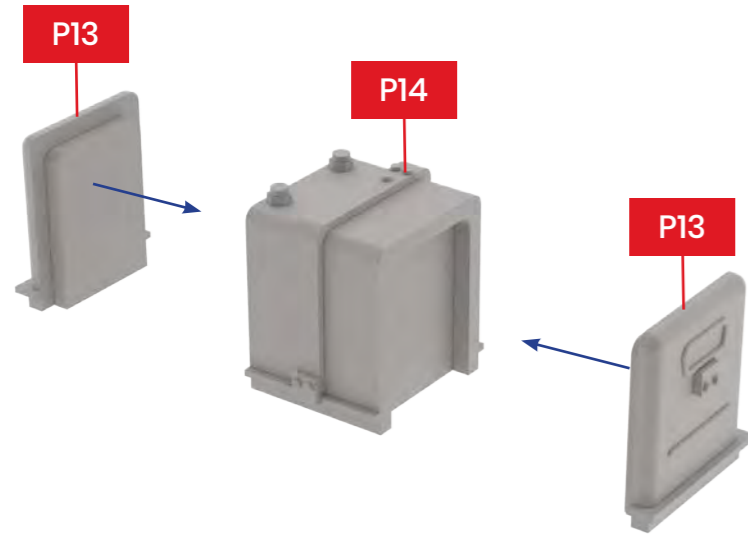
41



42



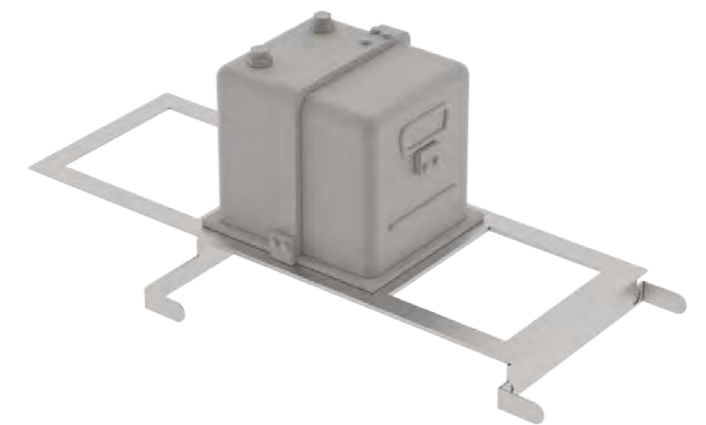
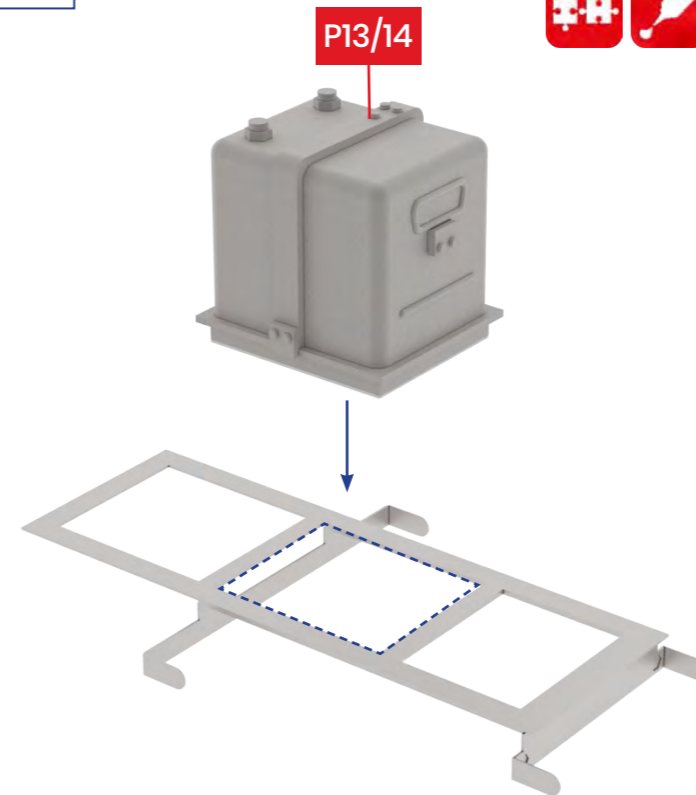
43



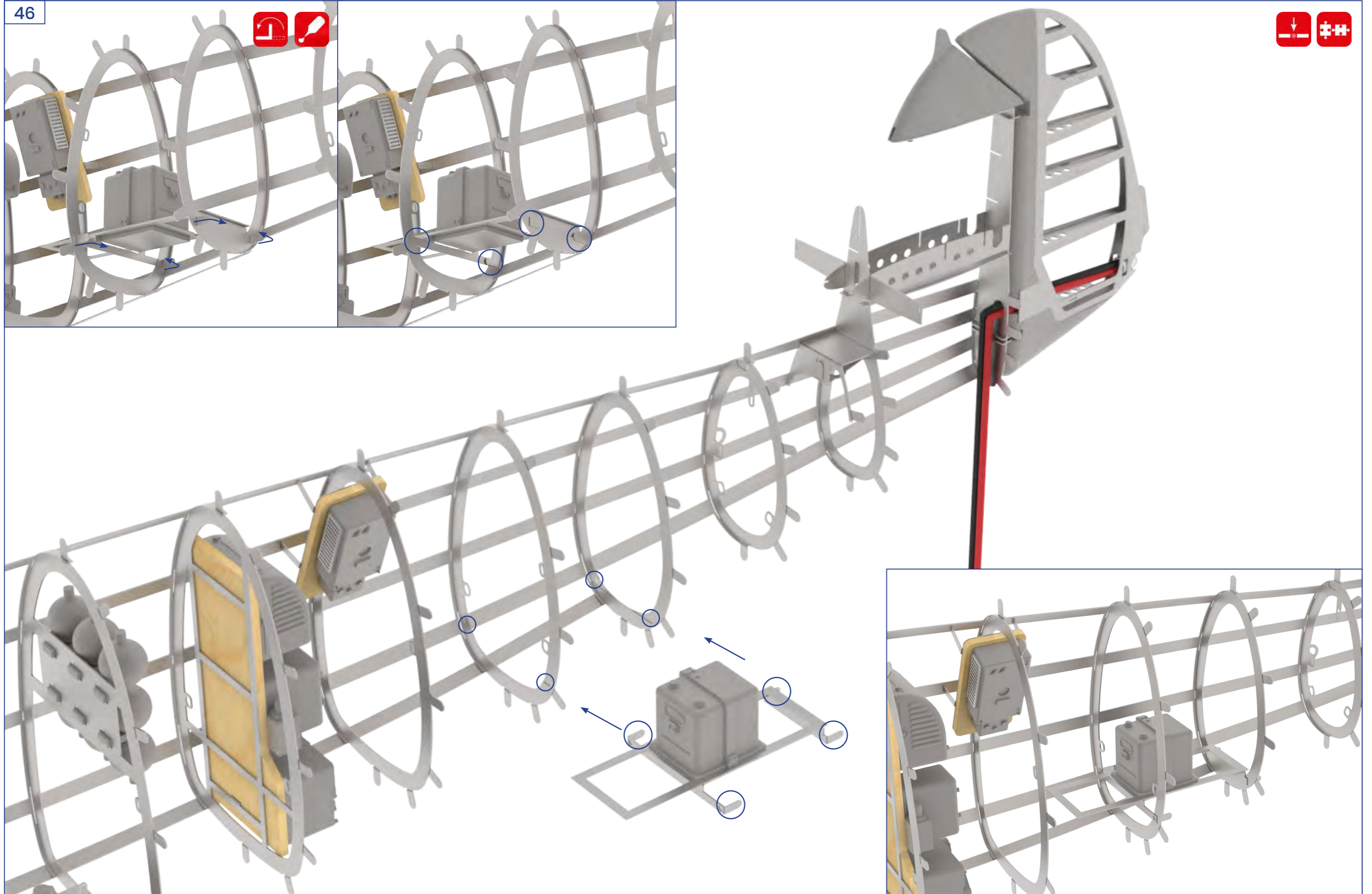
44



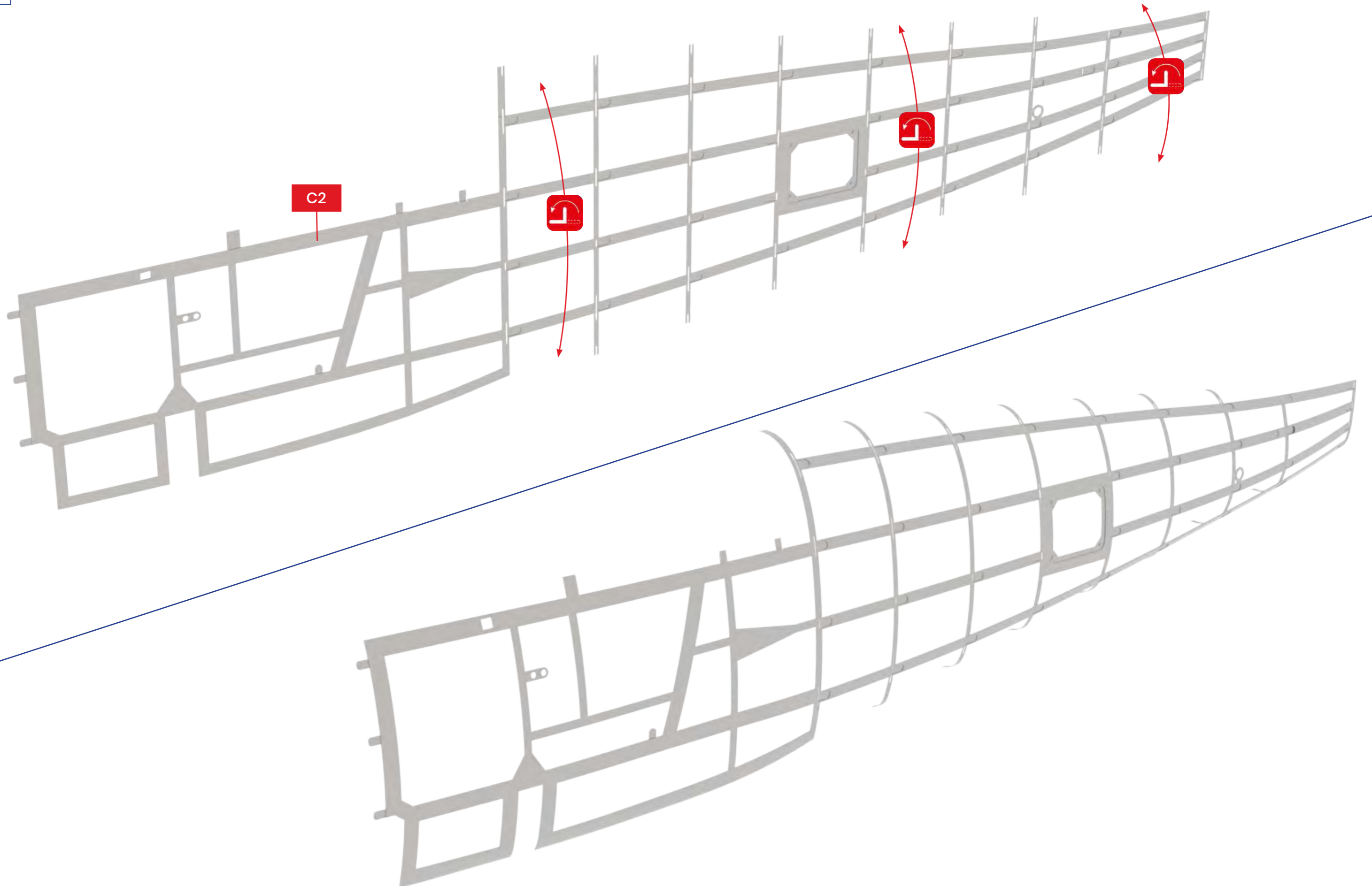
45



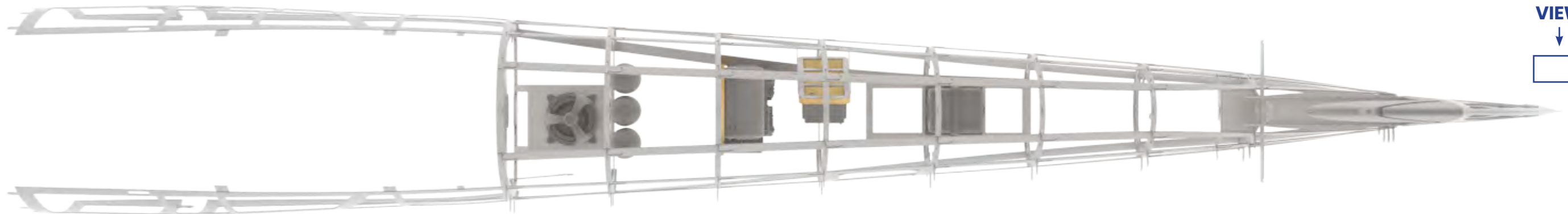
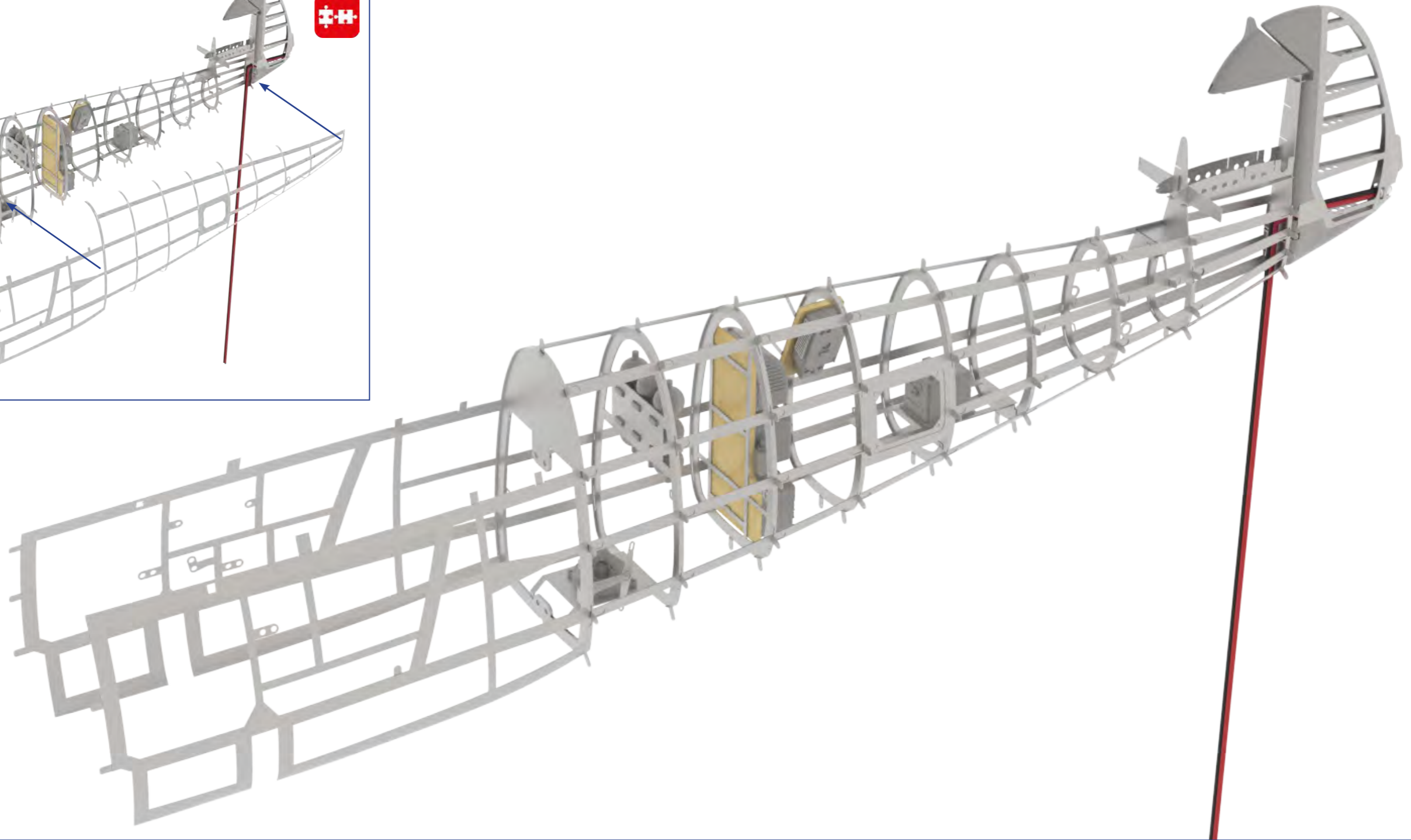
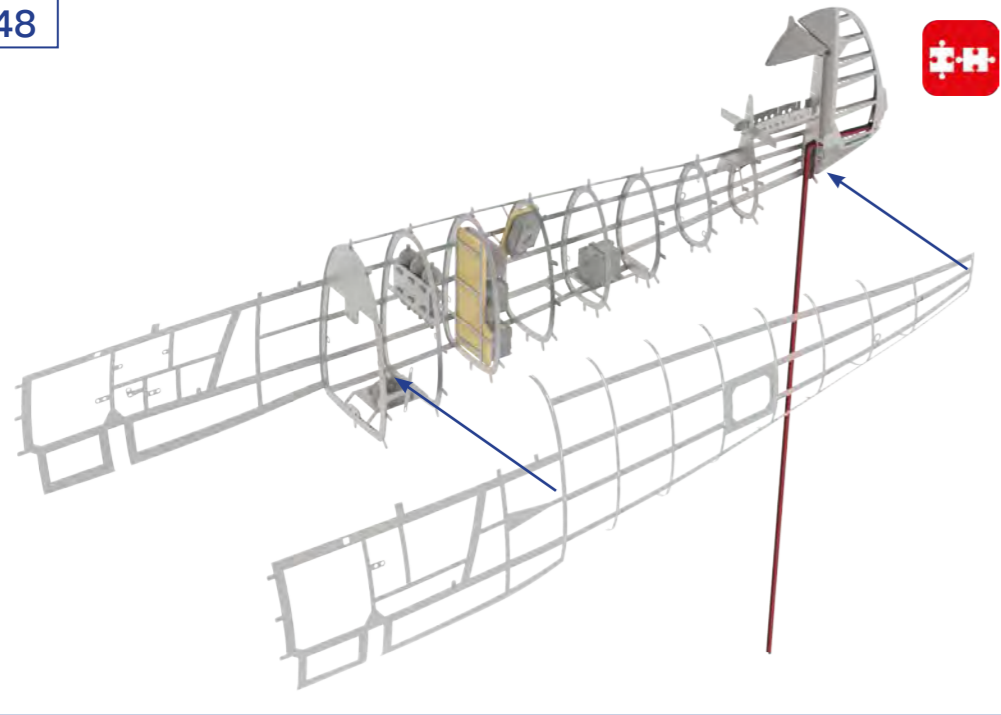
46



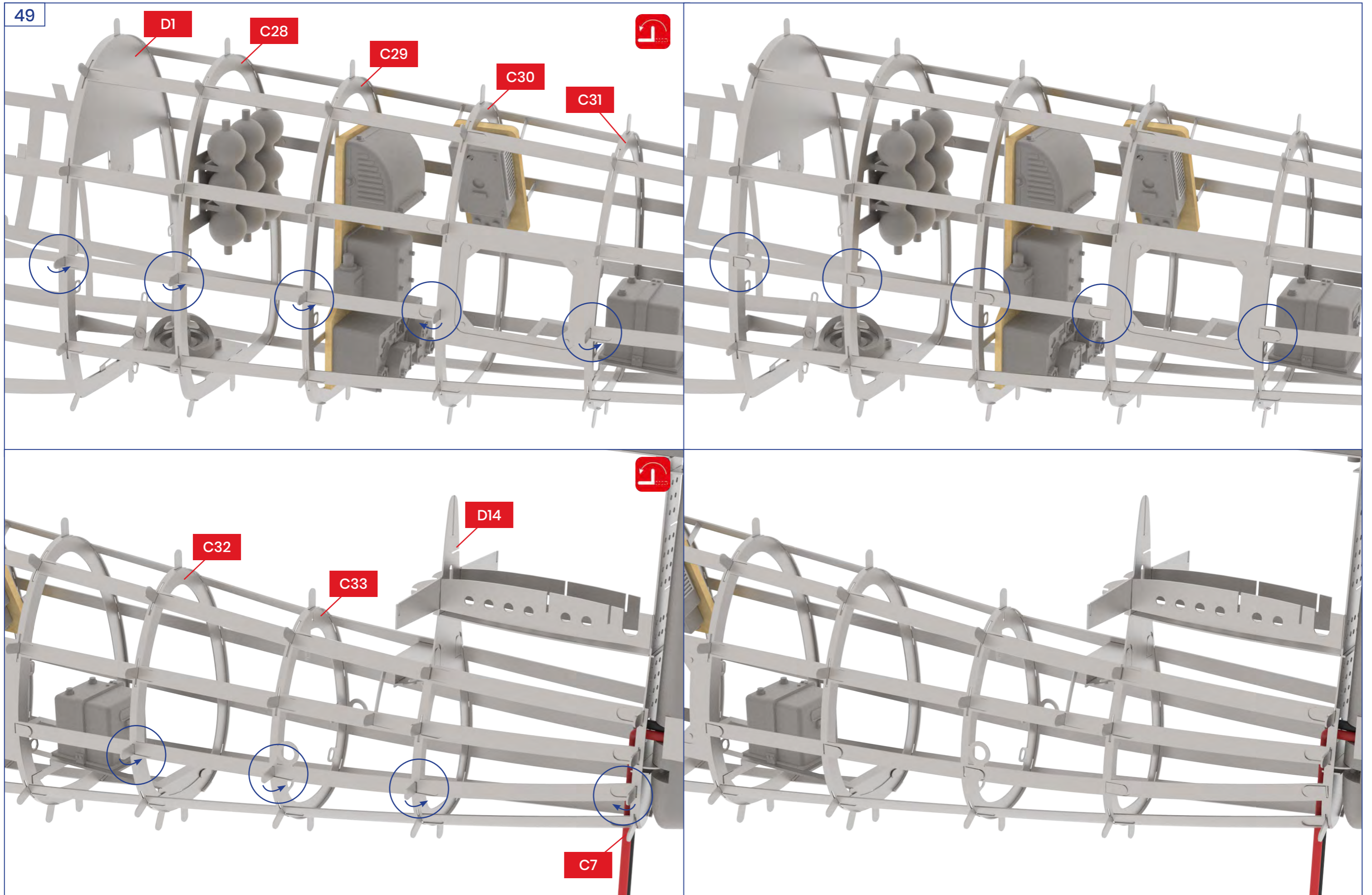
47



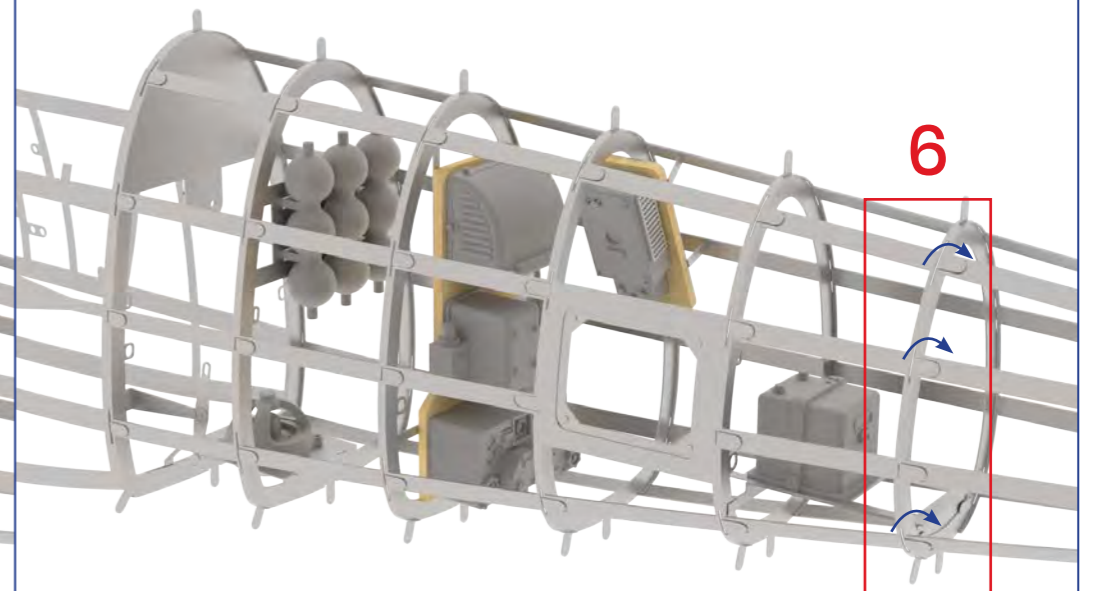
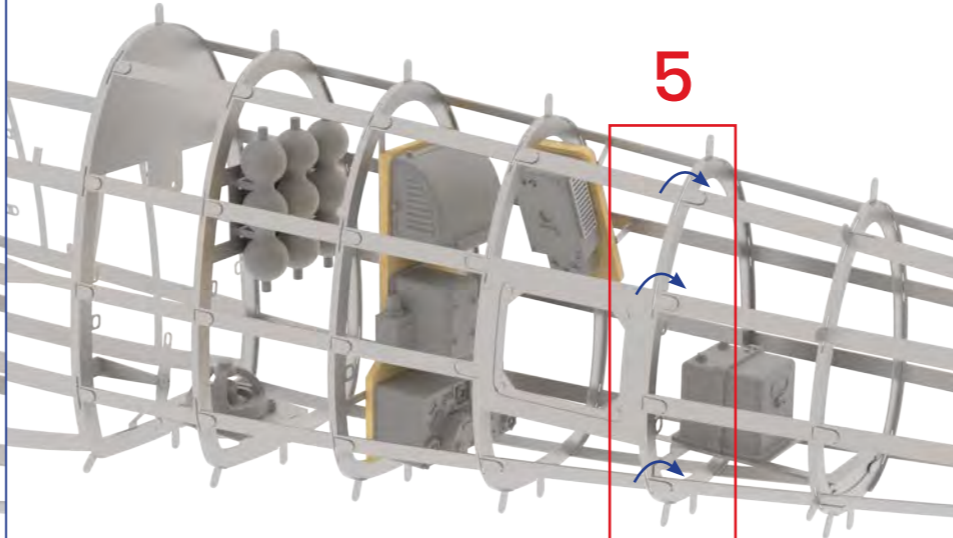
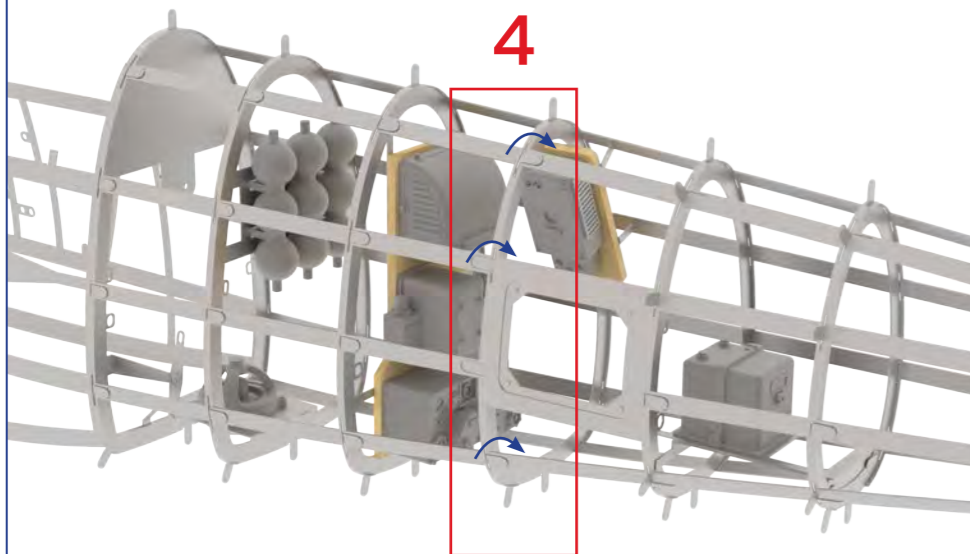
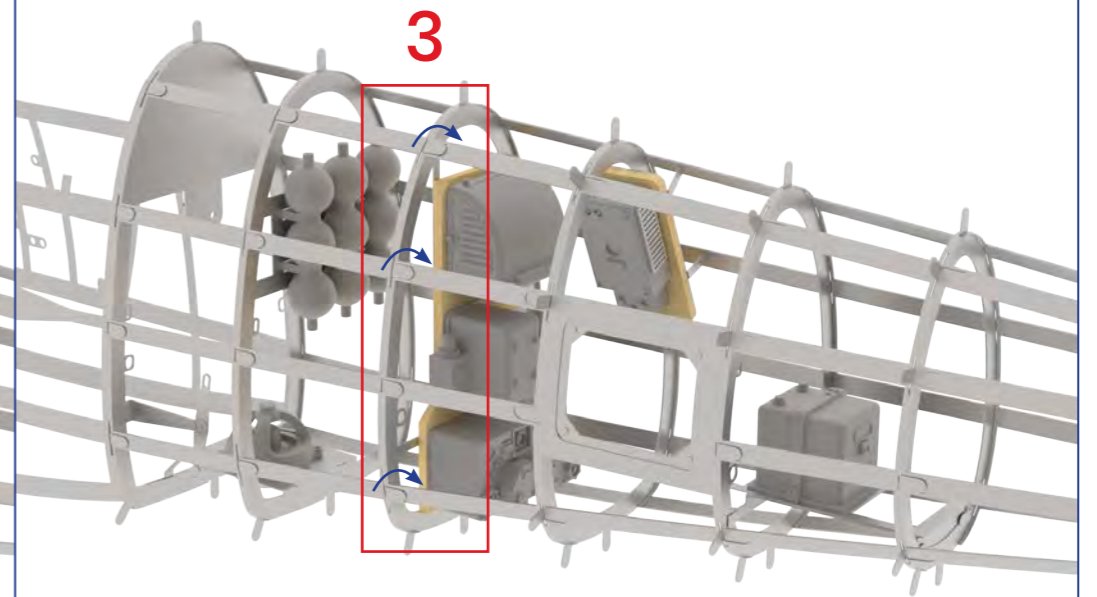
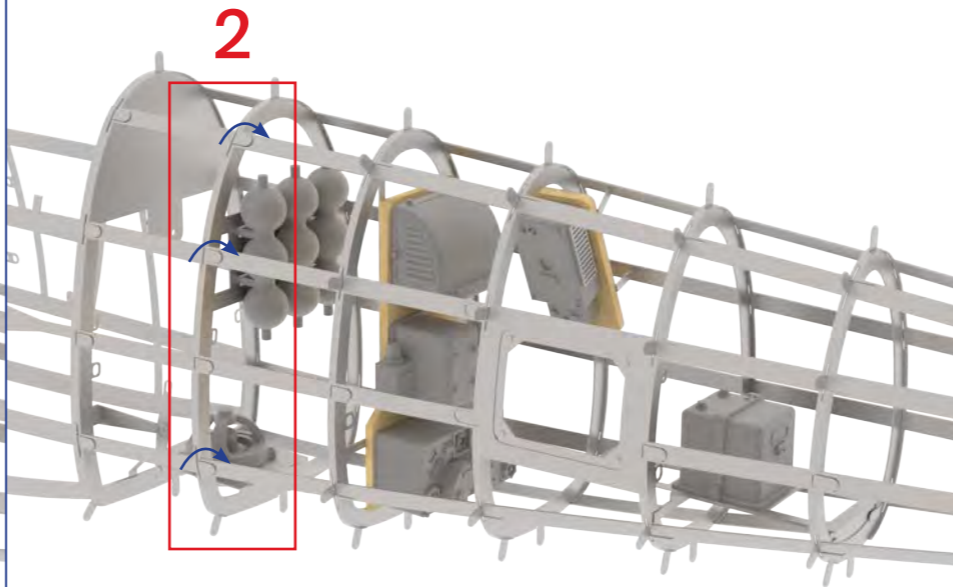
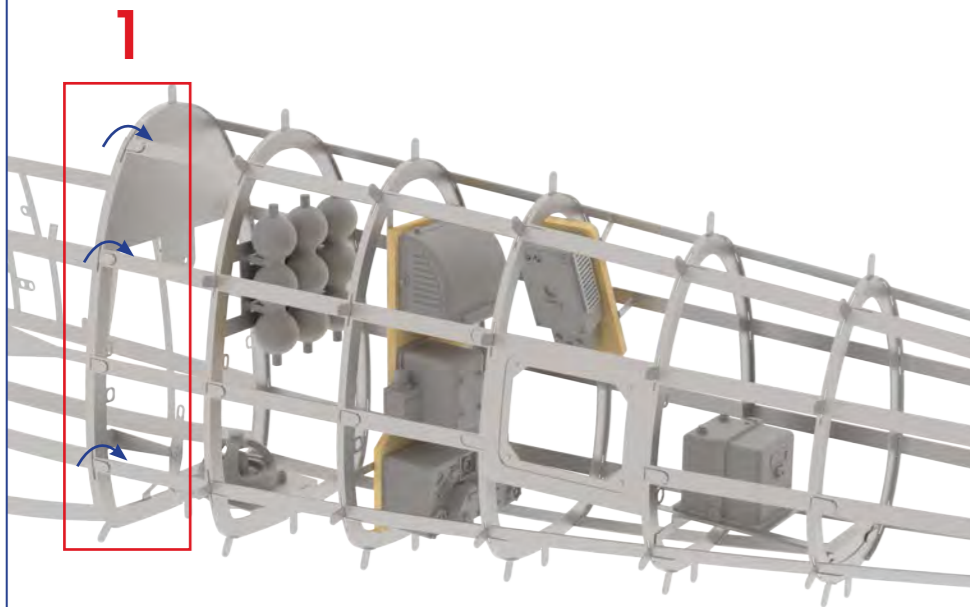
48

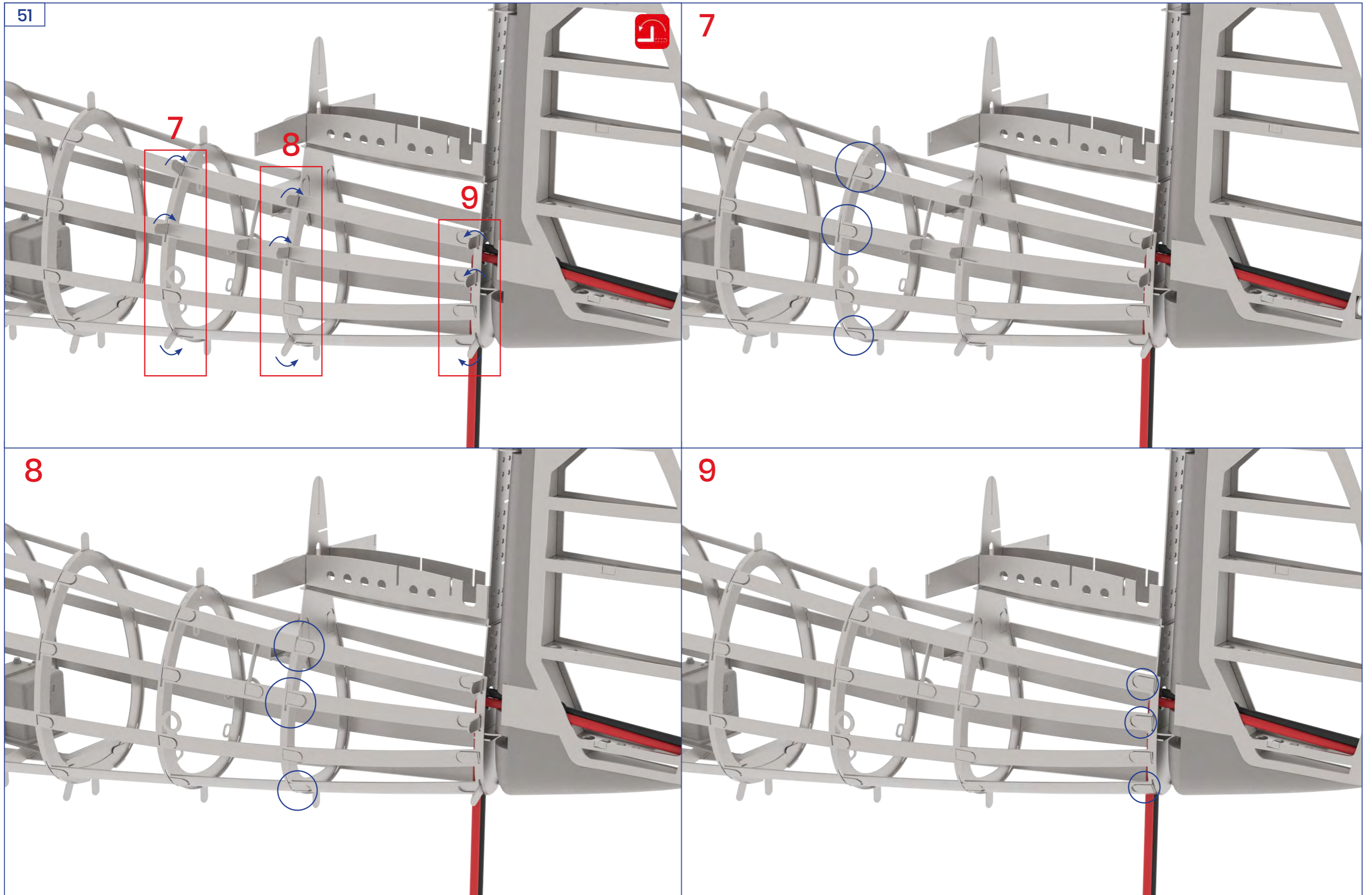


TOP
VIEW
↓
□



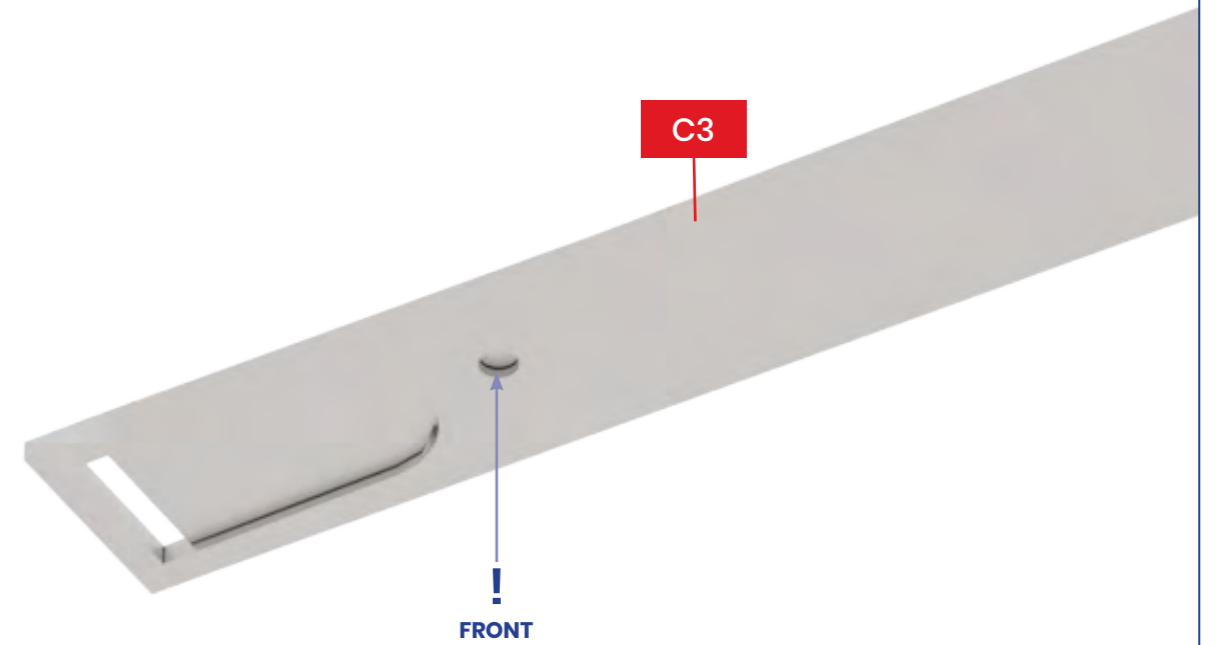
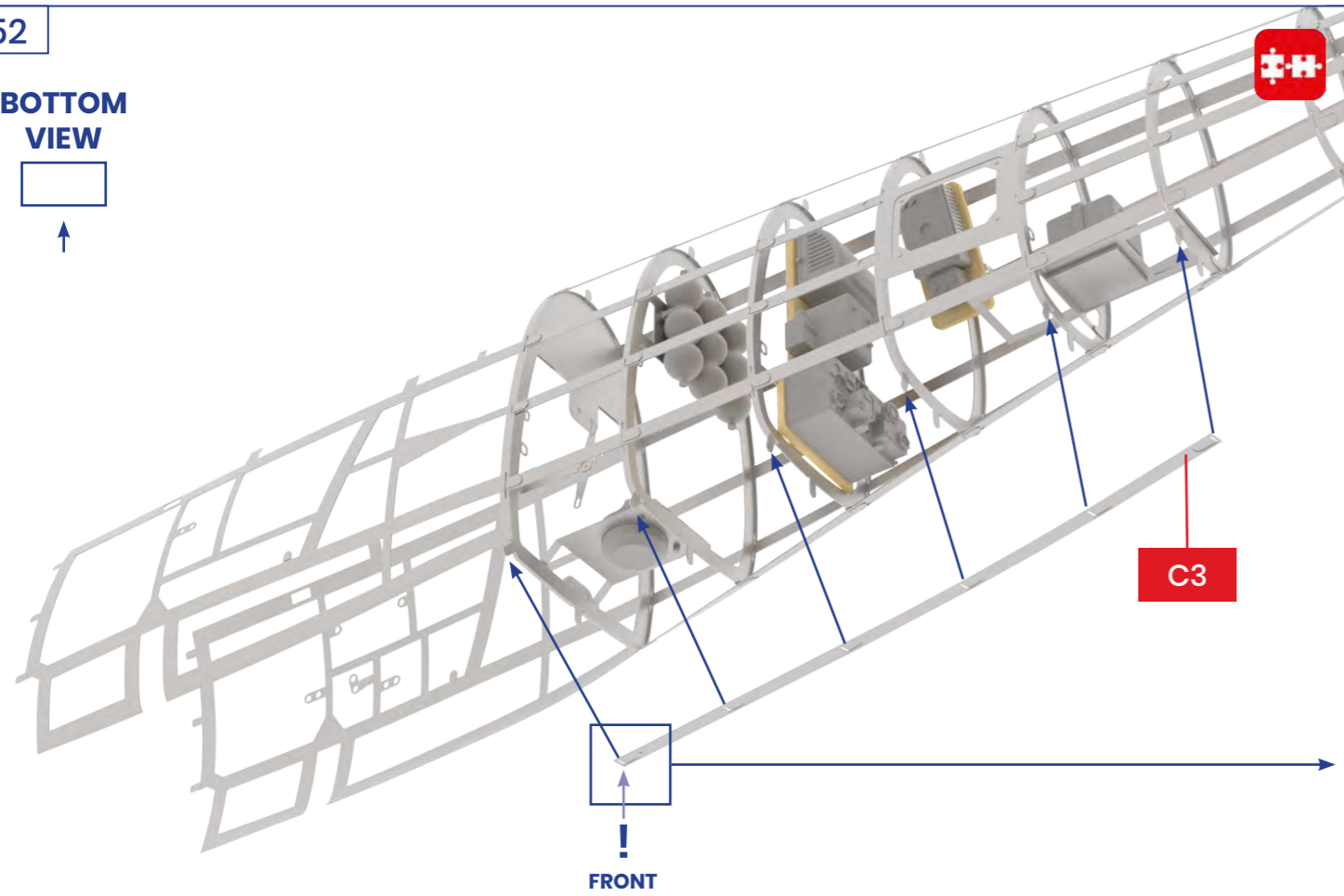
50



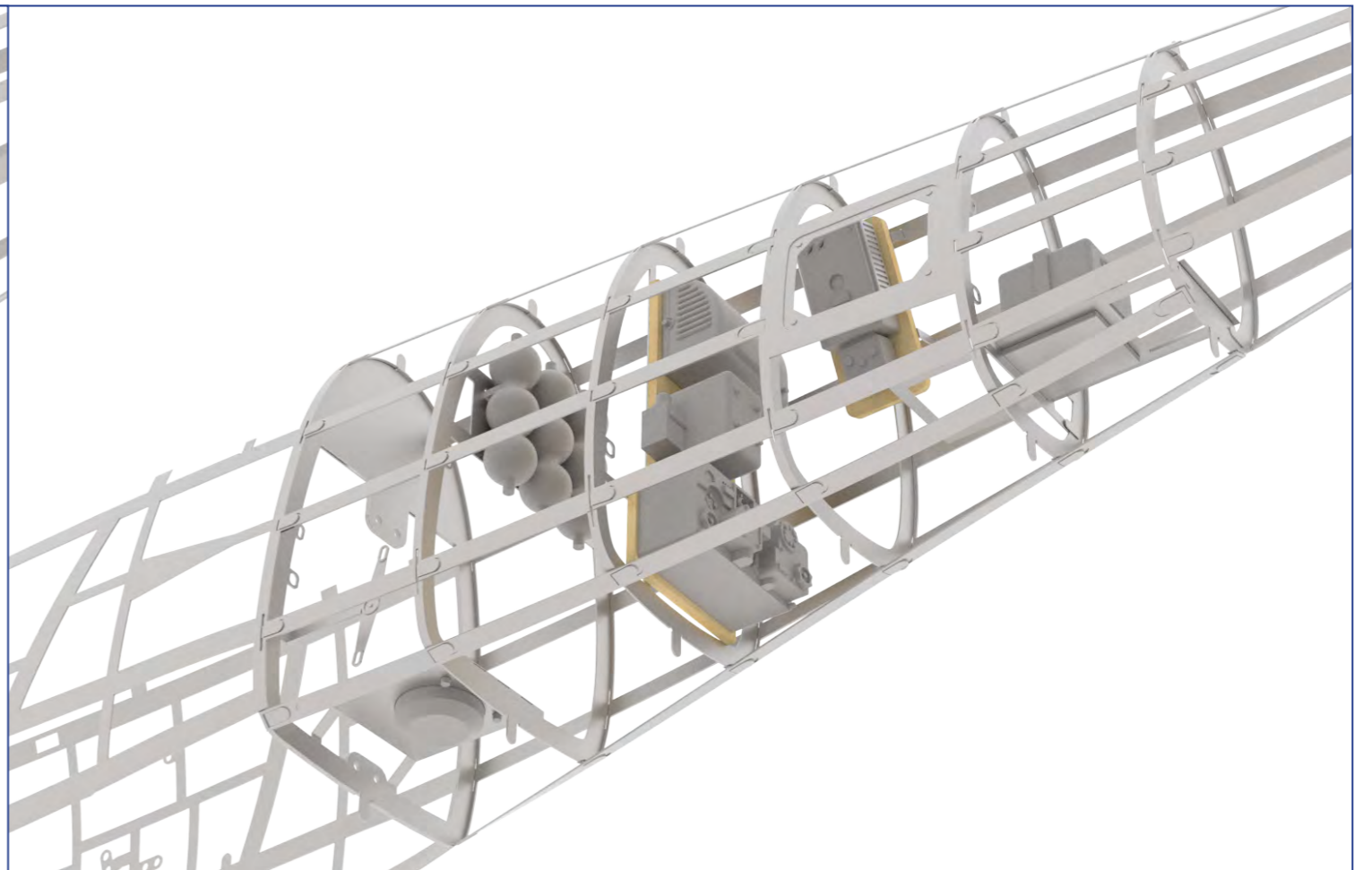
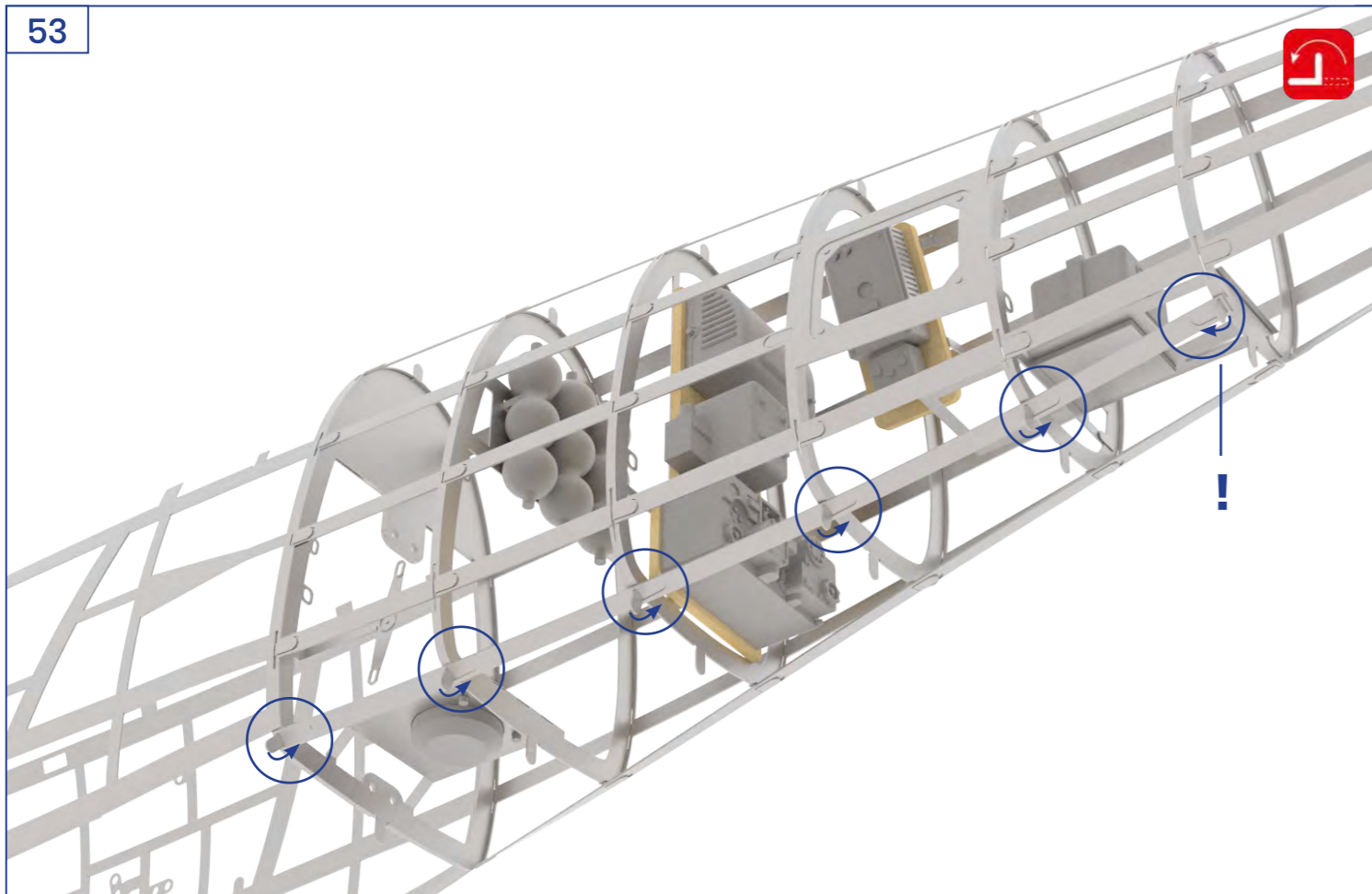


52

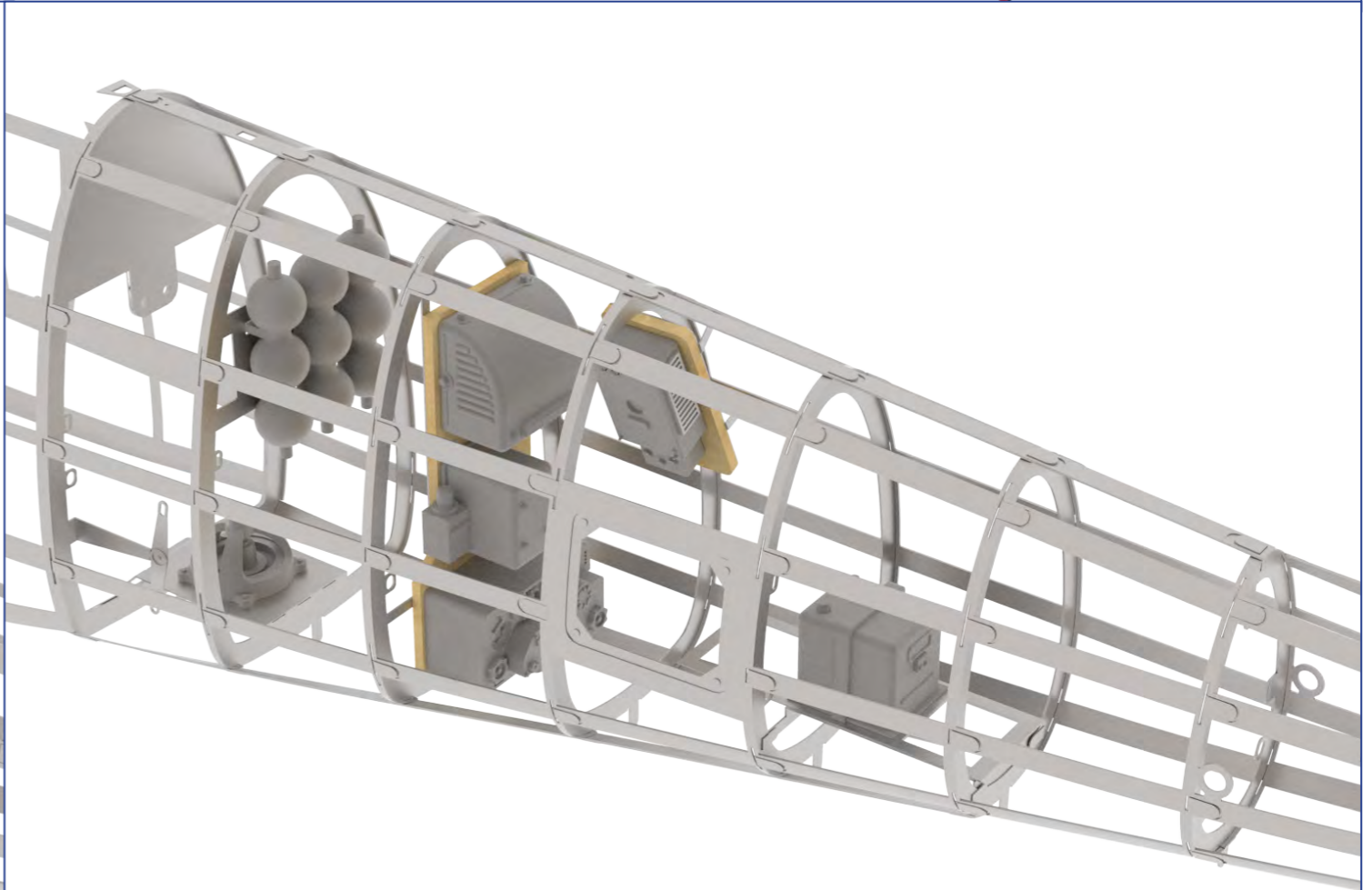
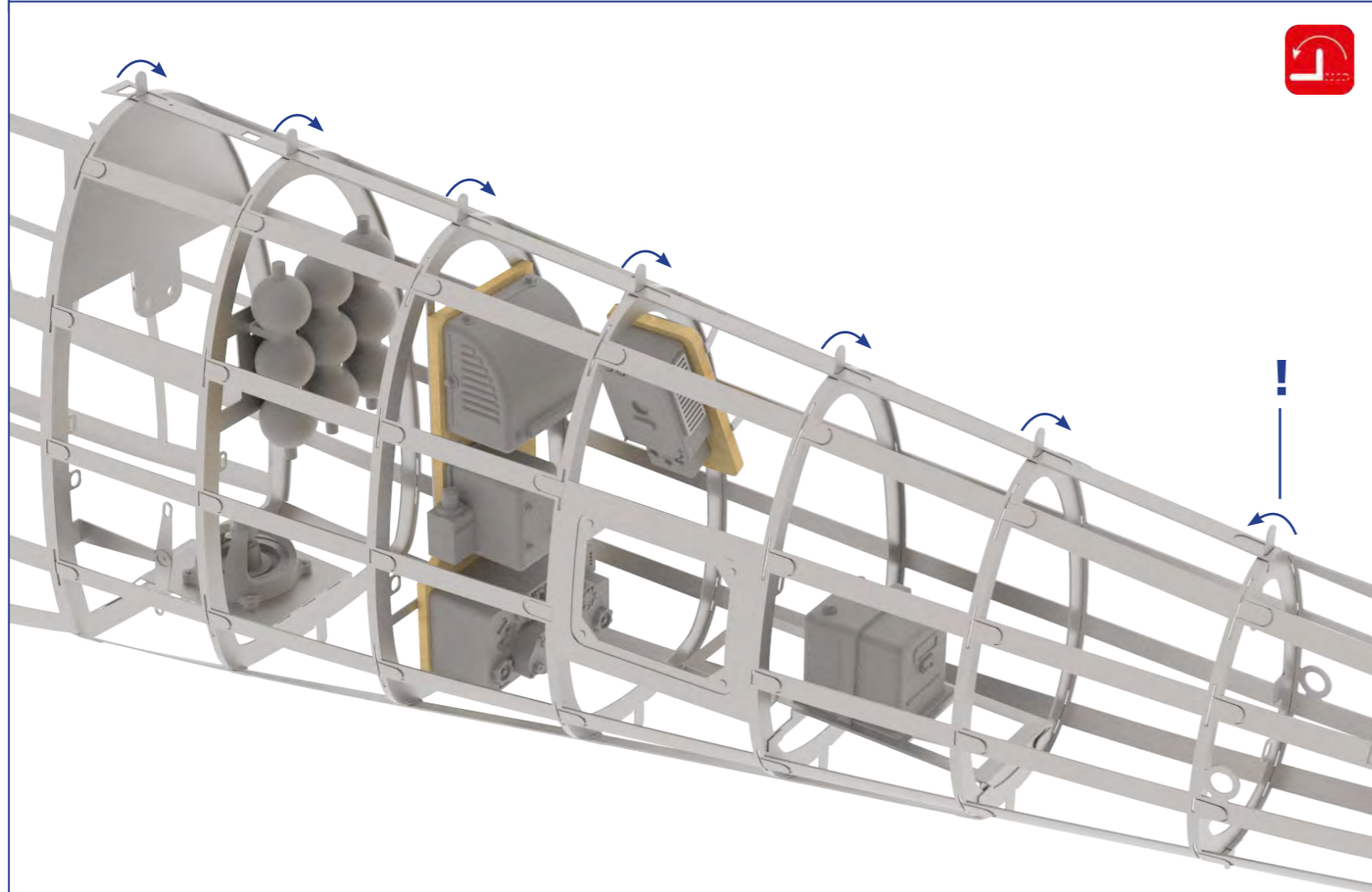
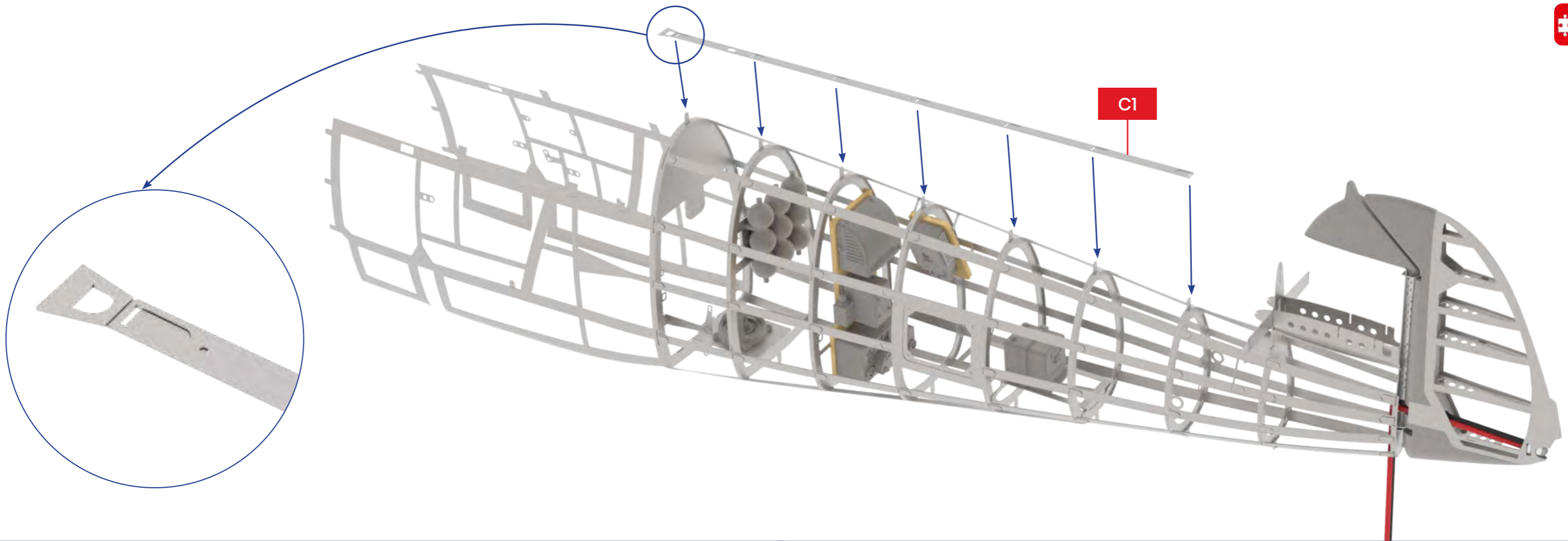
**BOTTOM
VIEW**



53



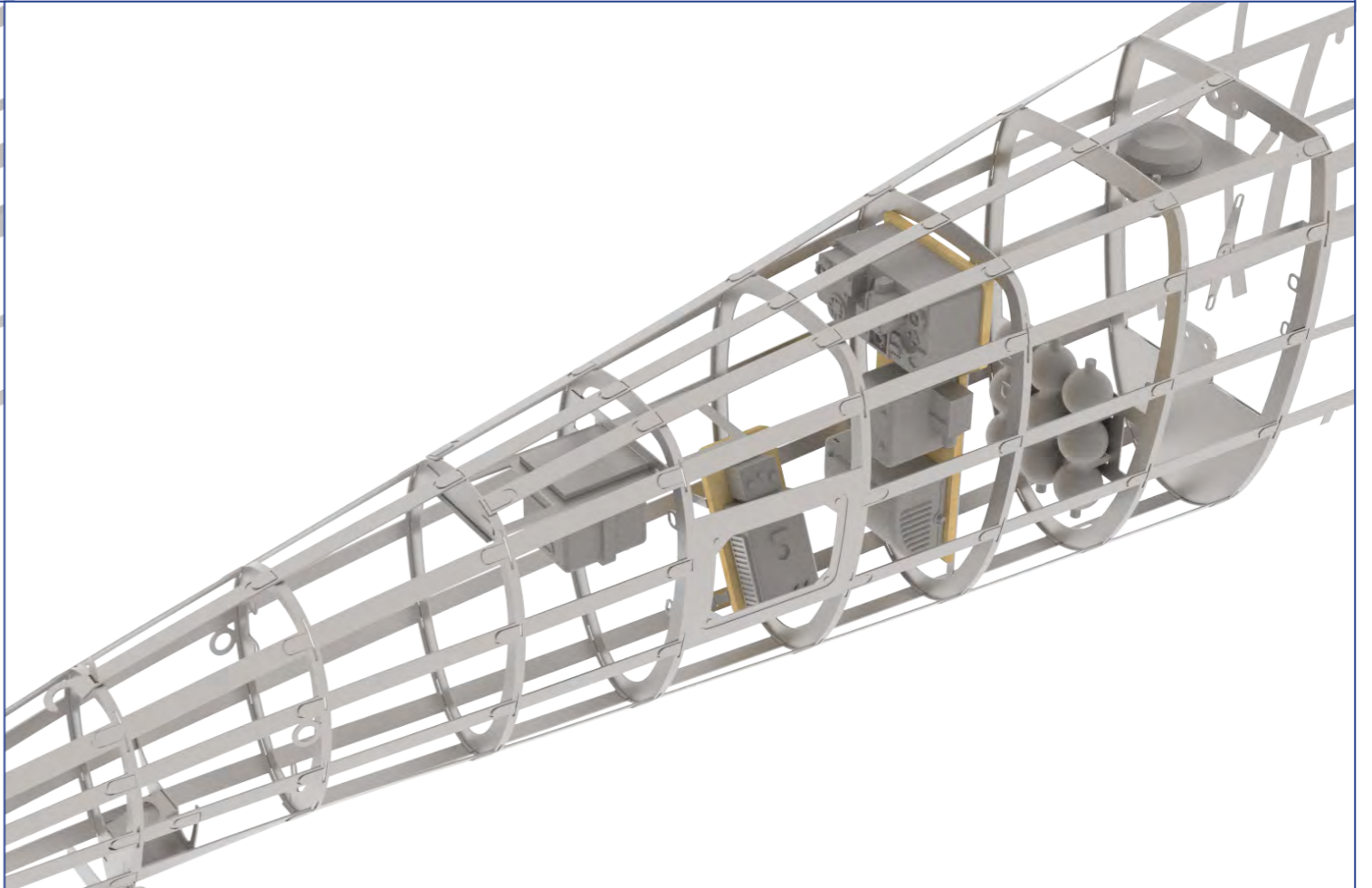
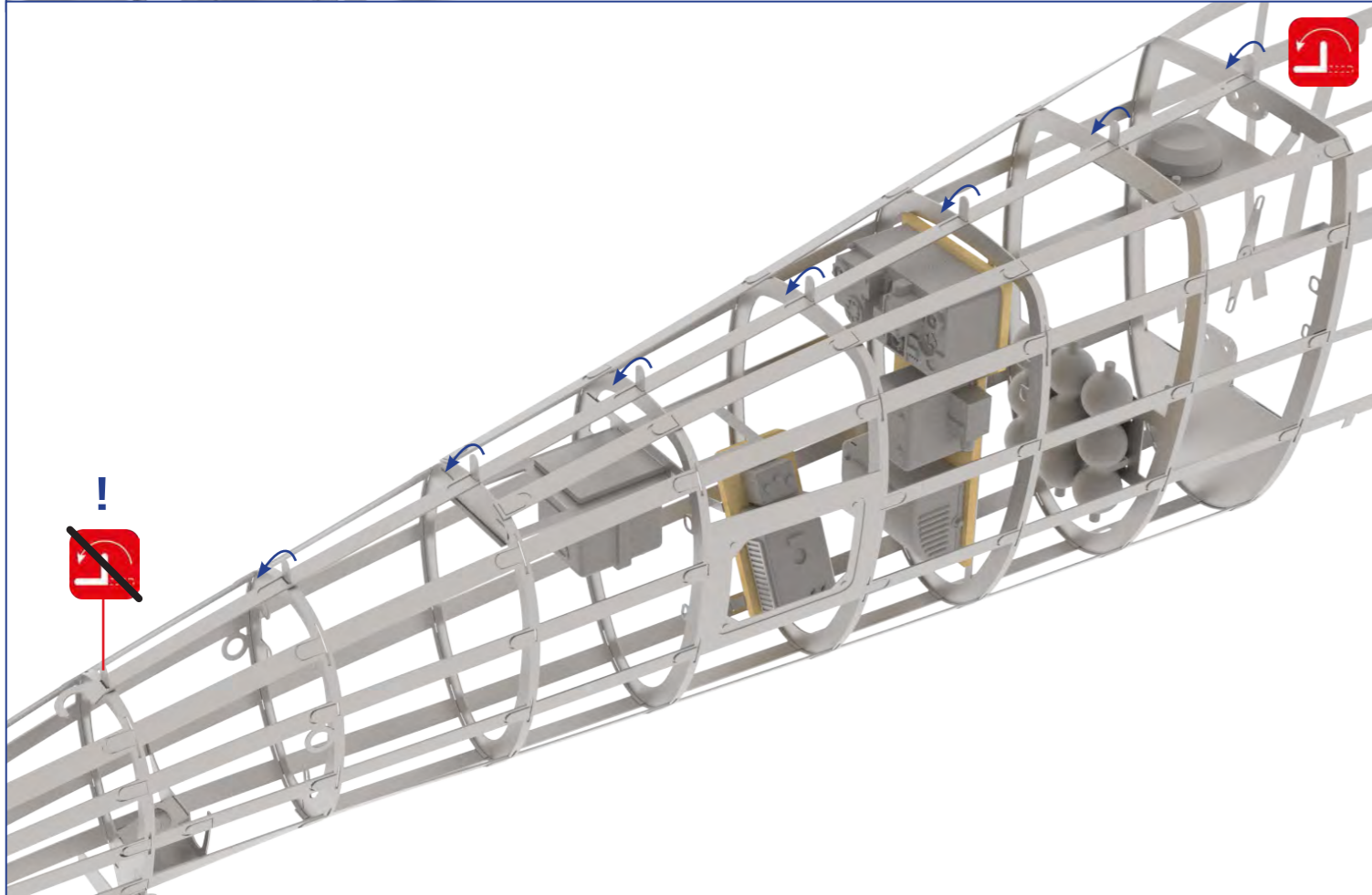
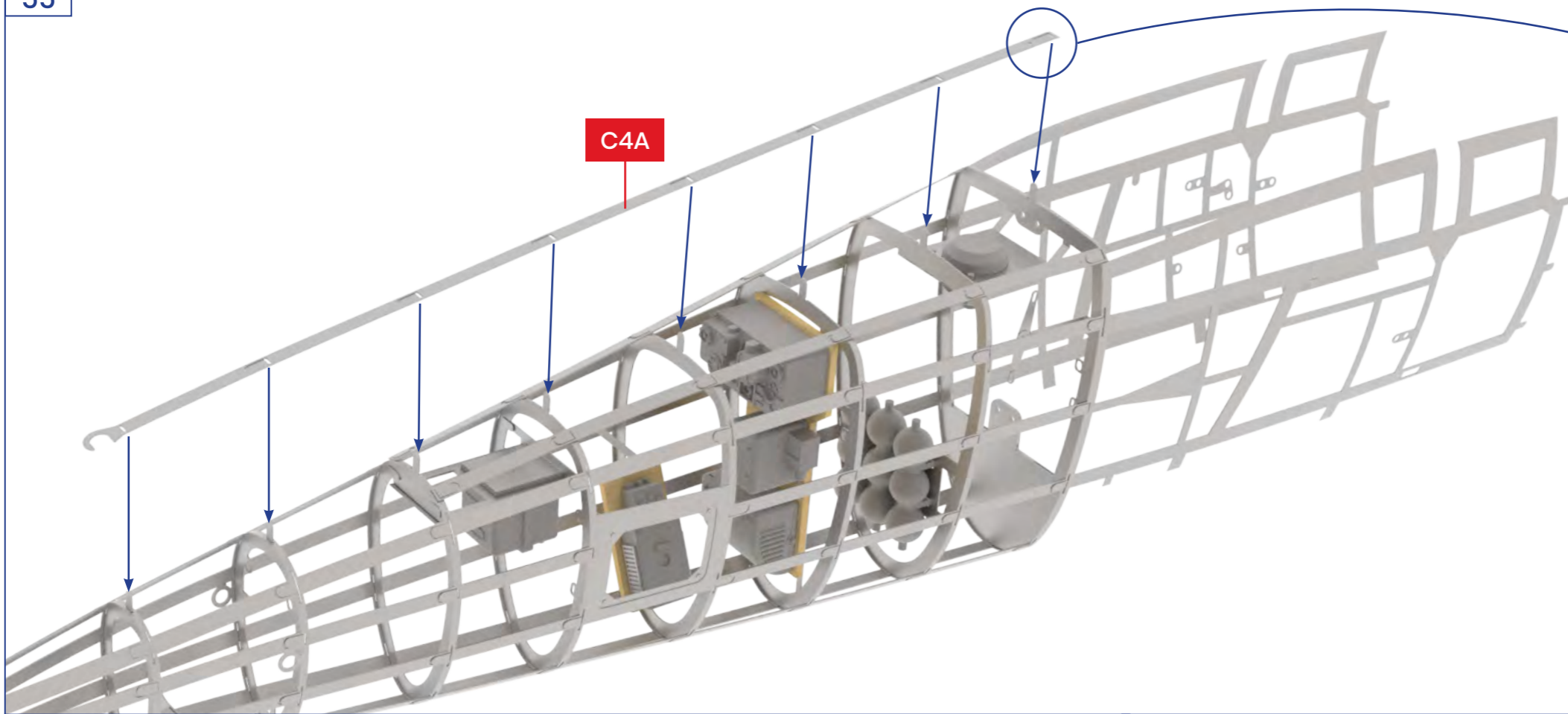
54



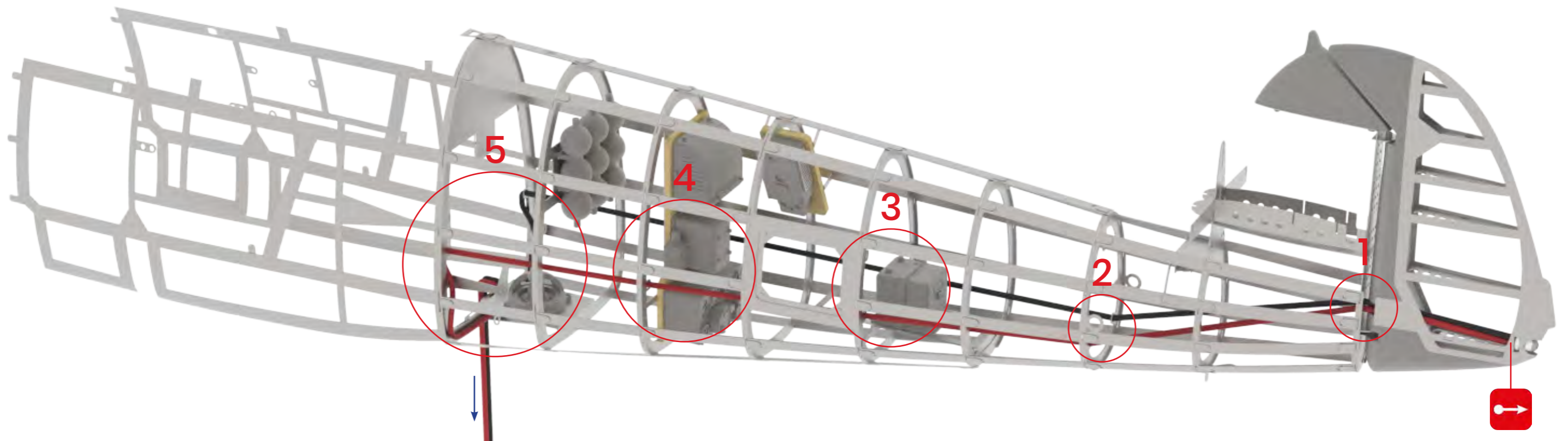
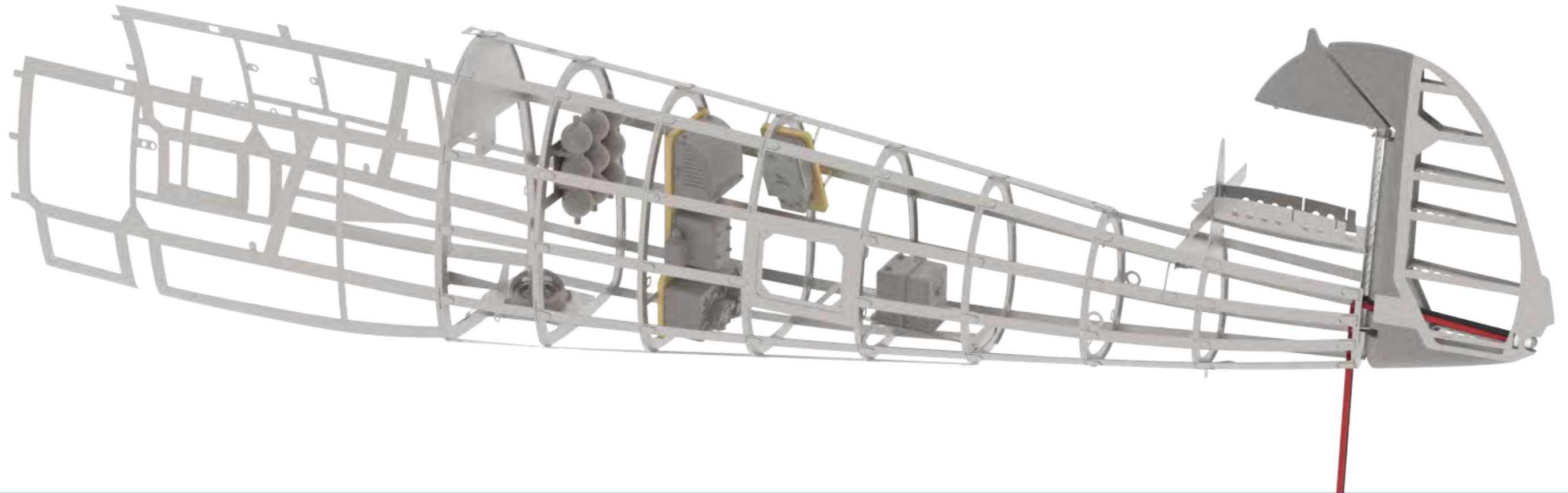
55

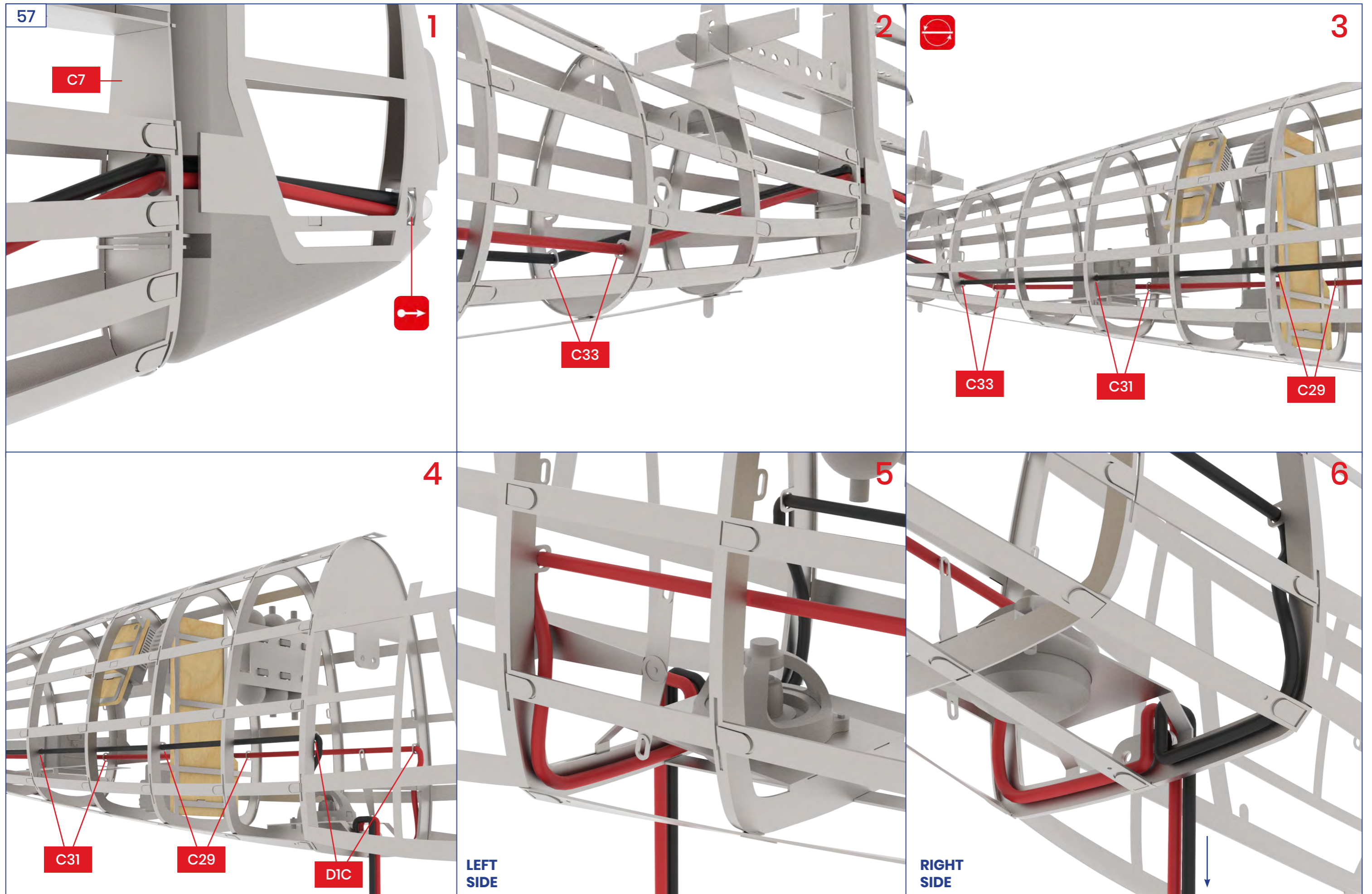


**BOTTOM
VIEW**

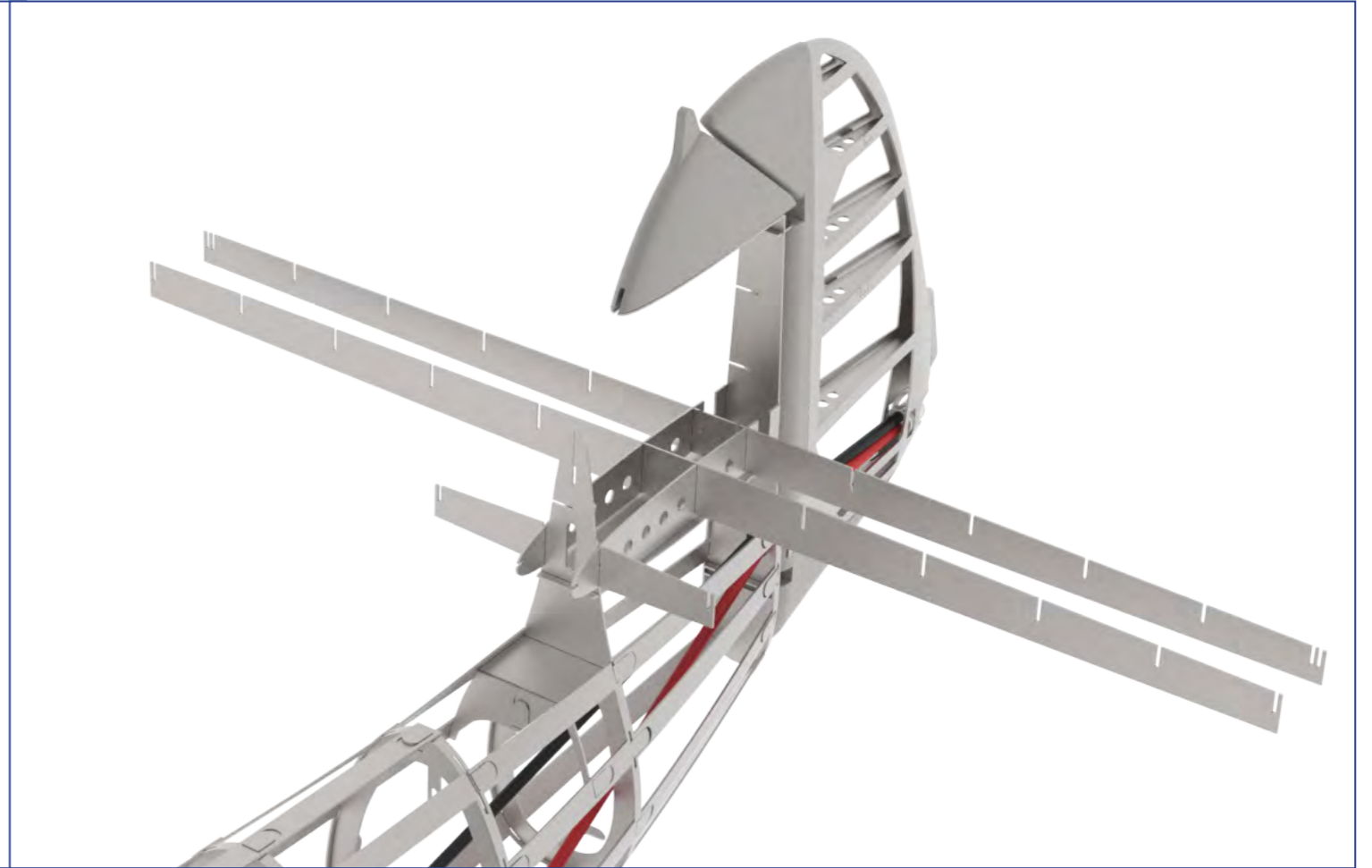
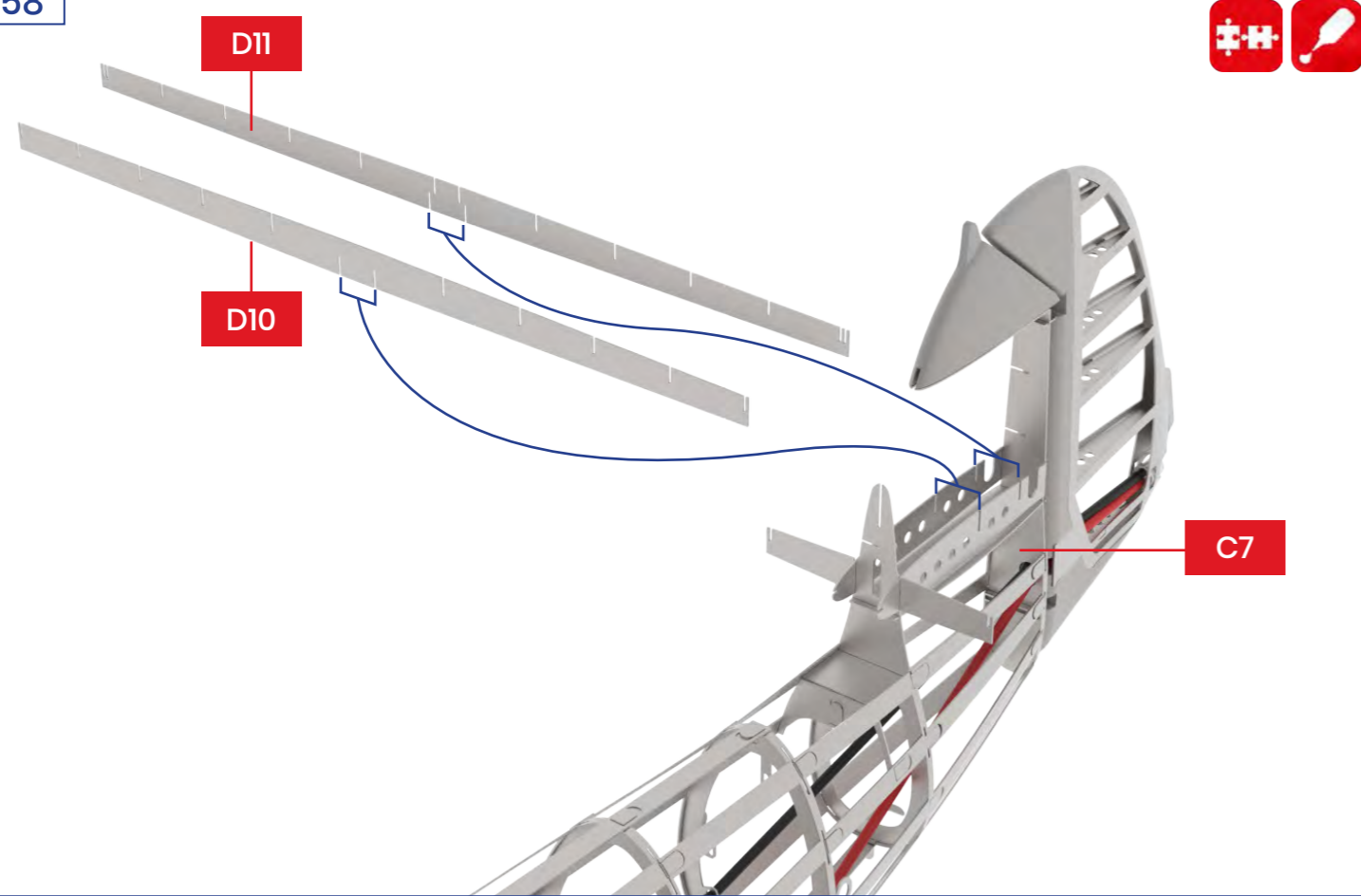


56

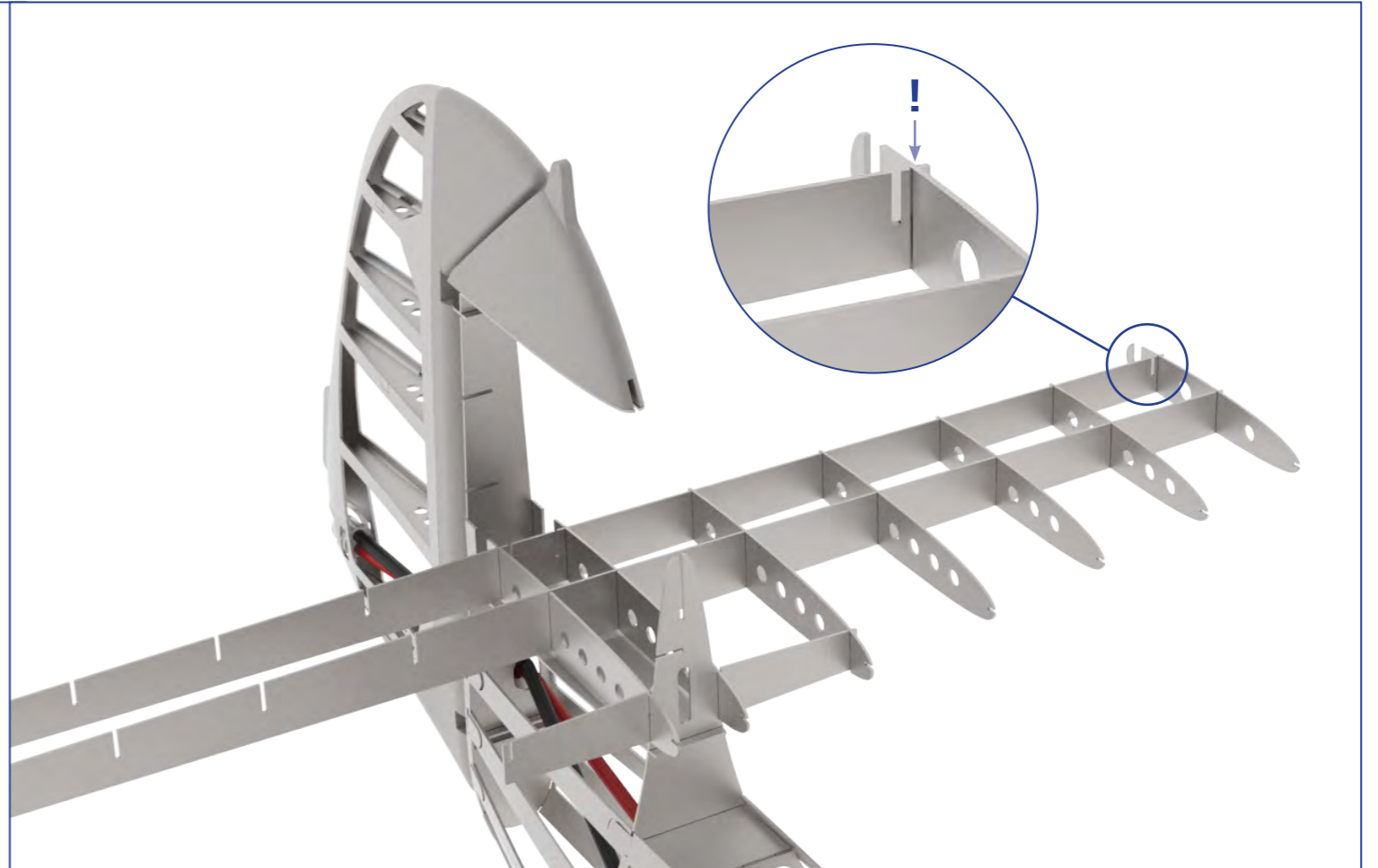
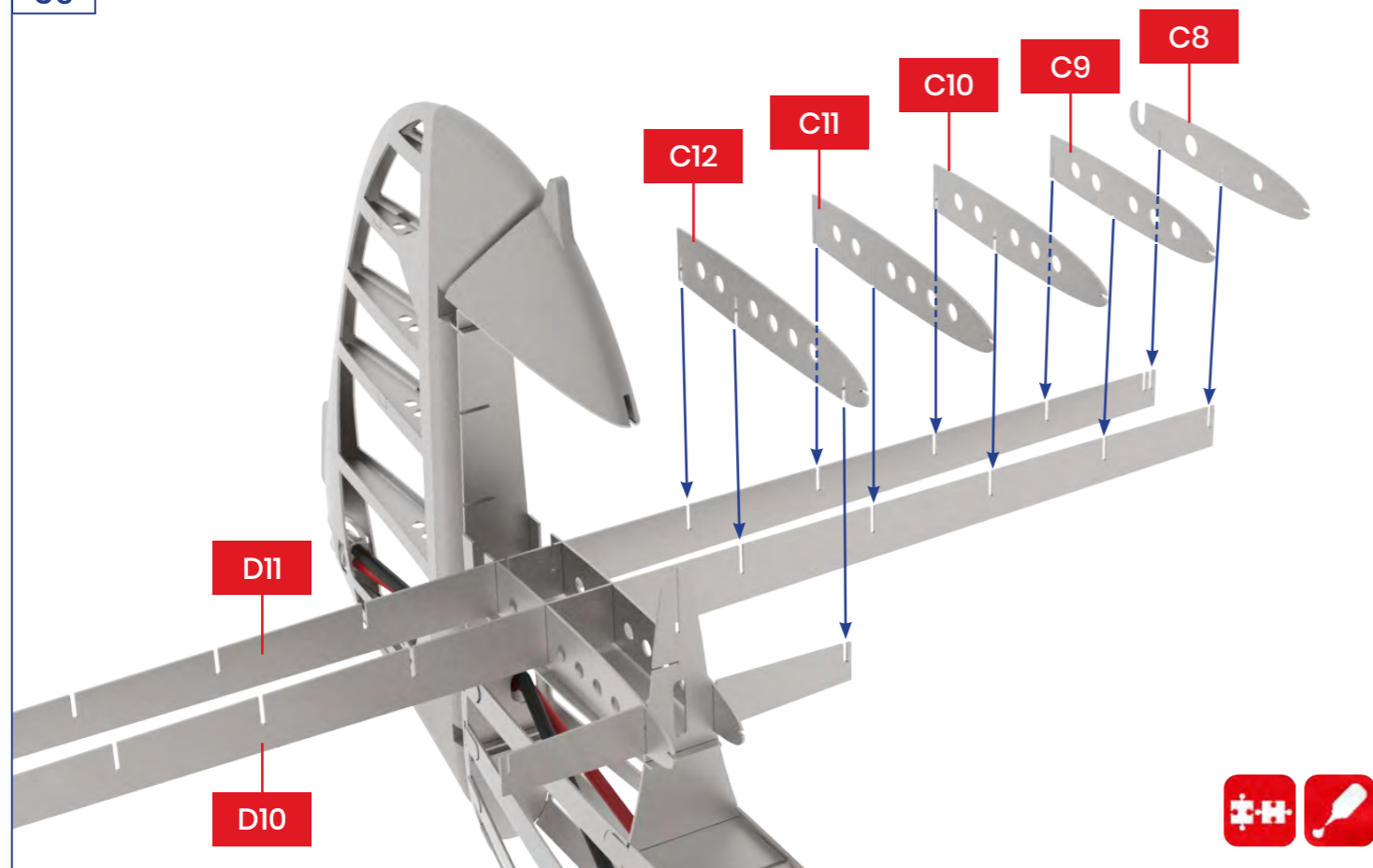




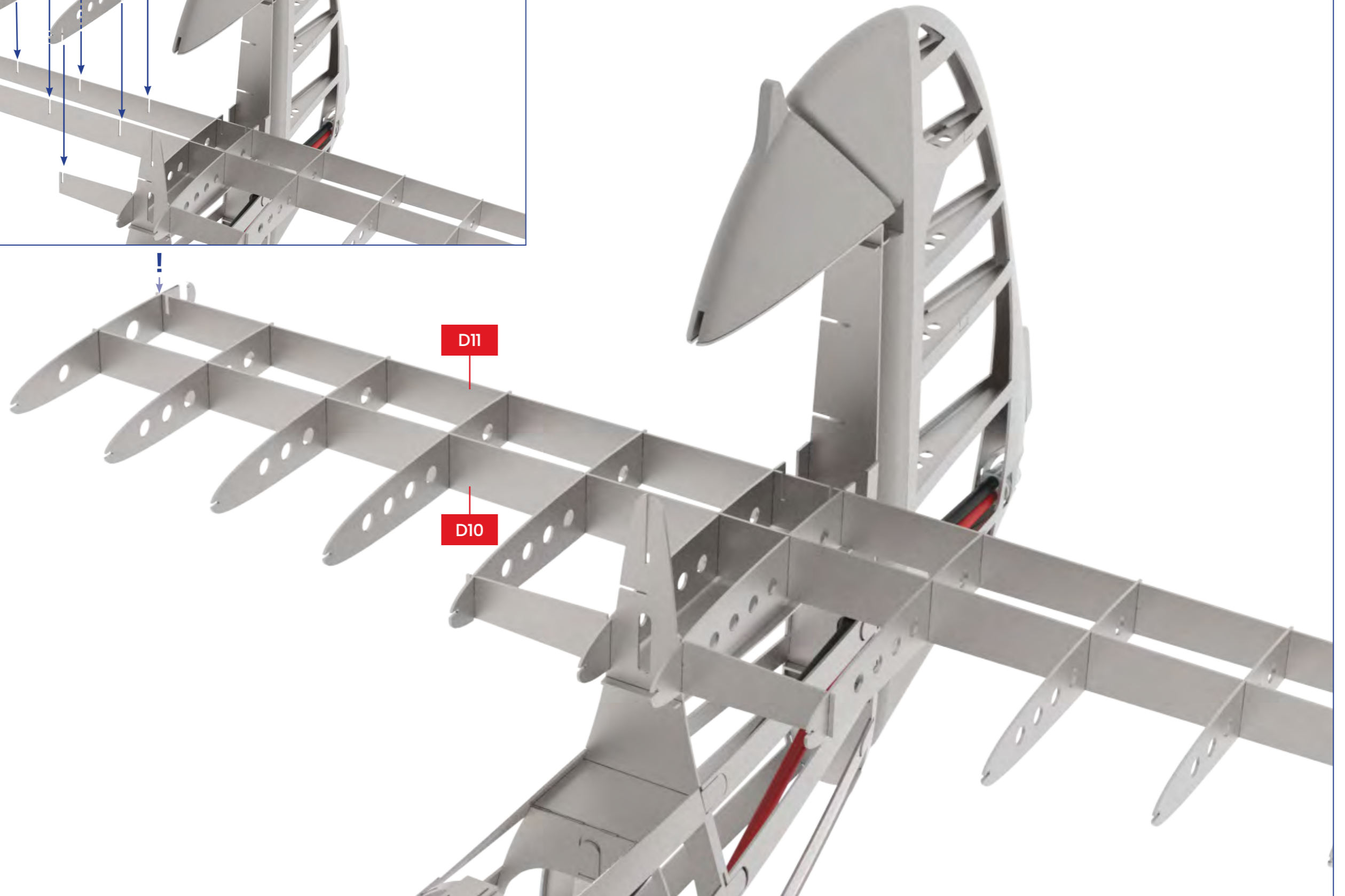
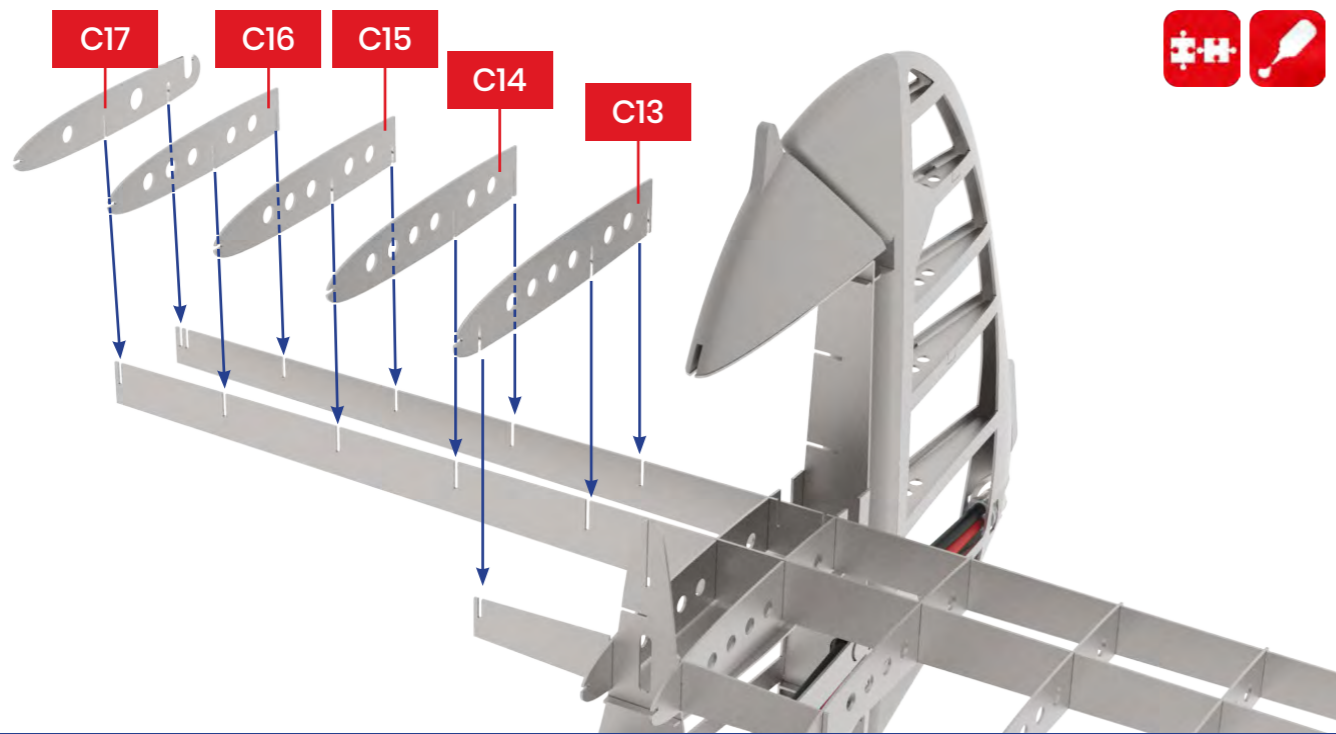
58



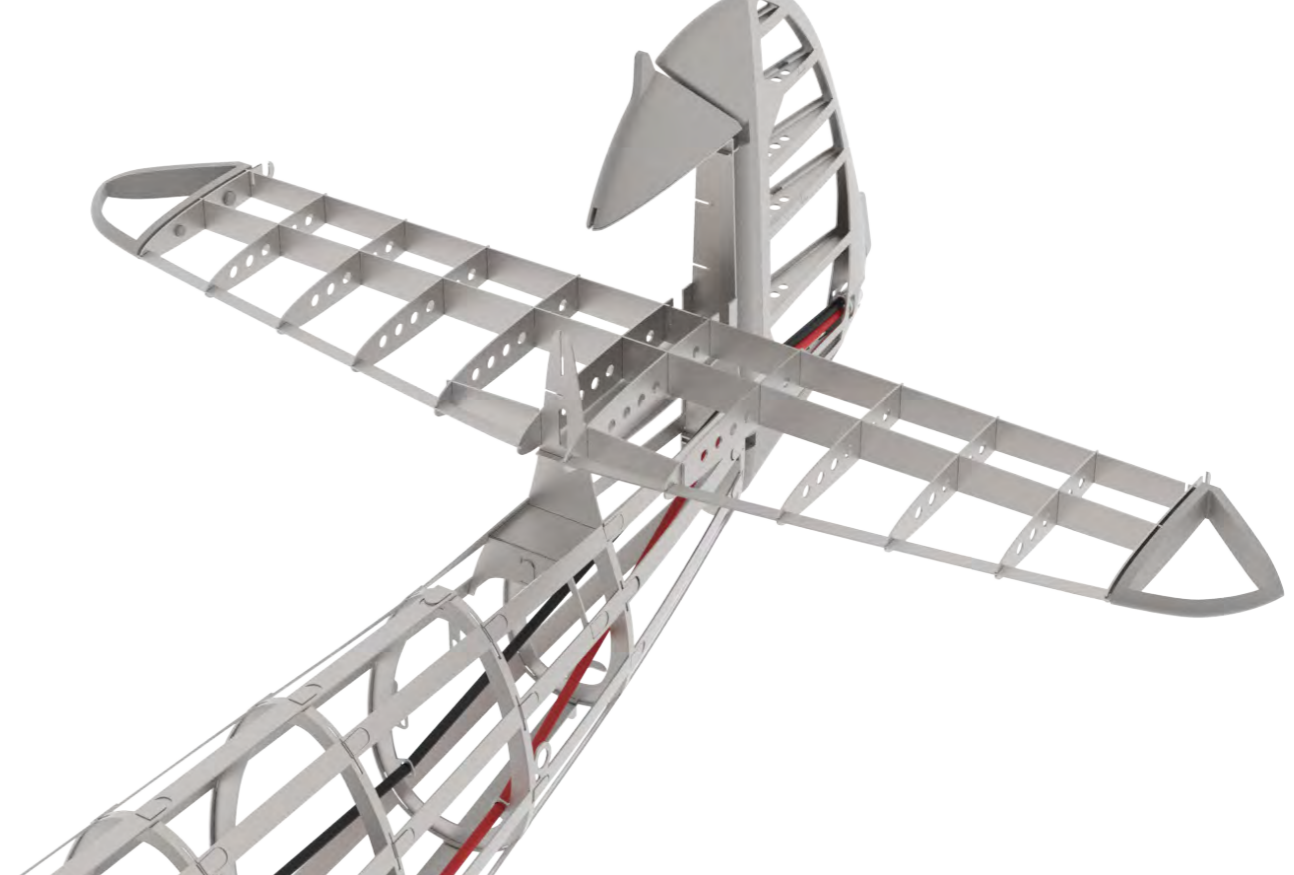
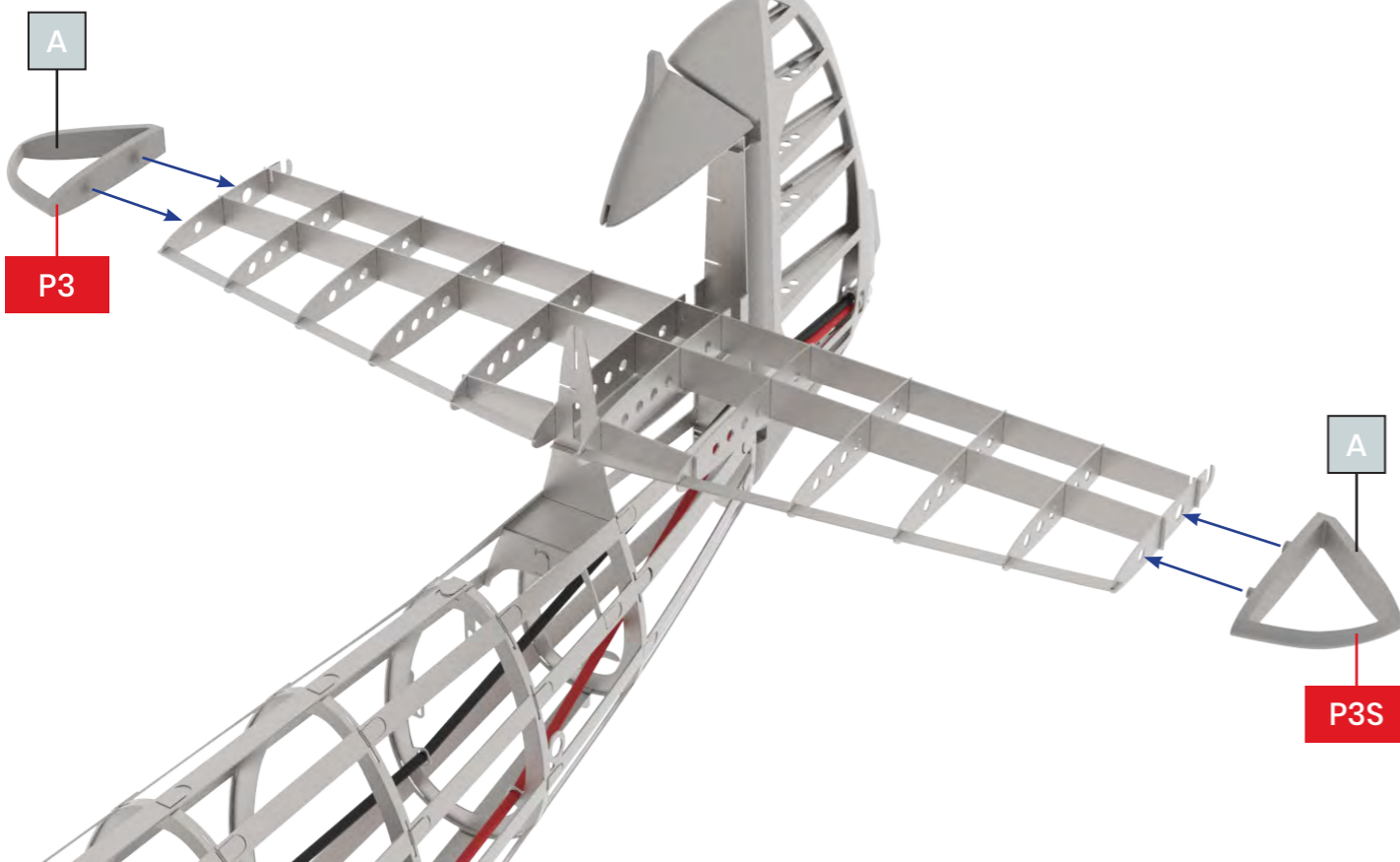
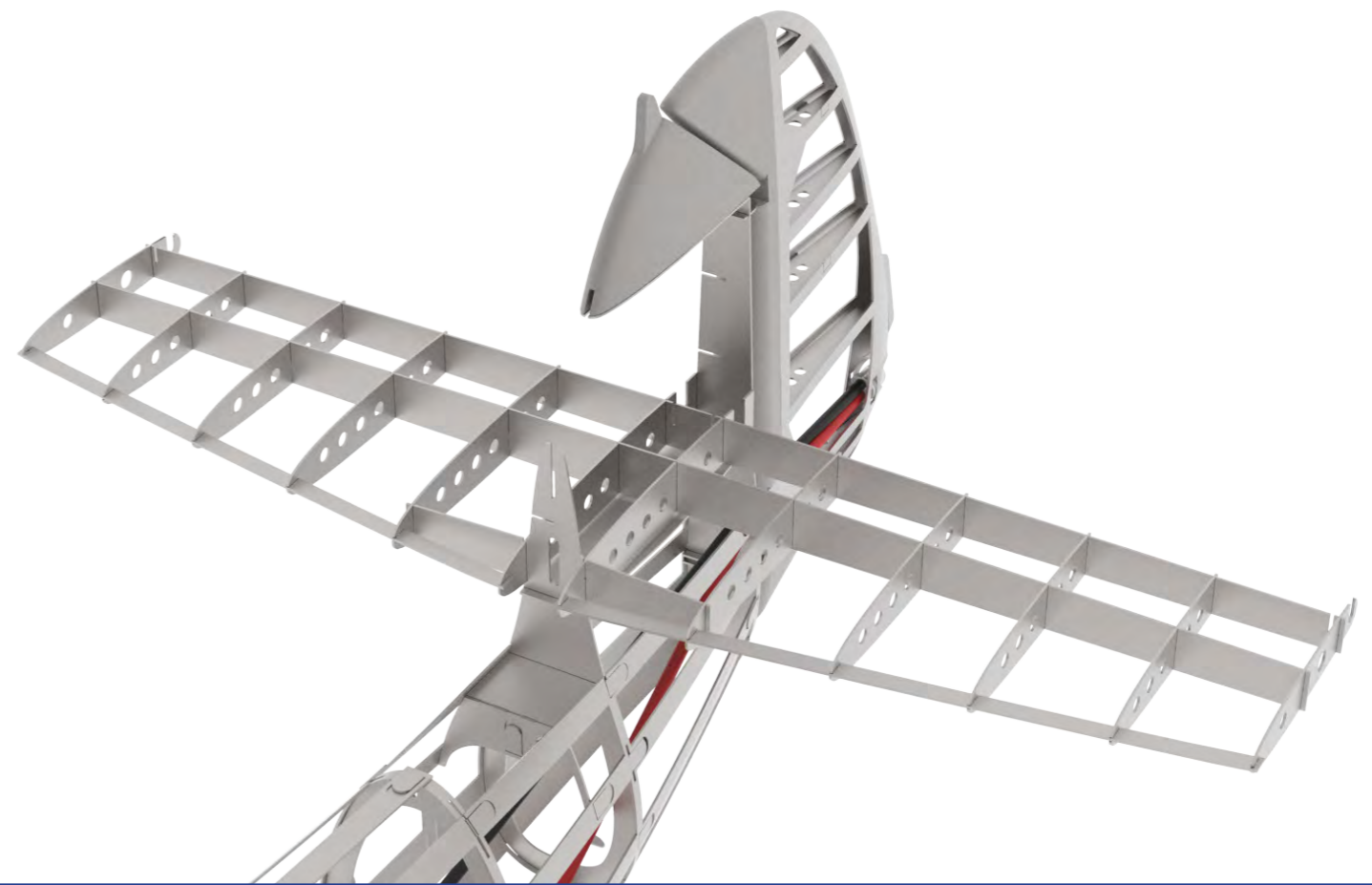
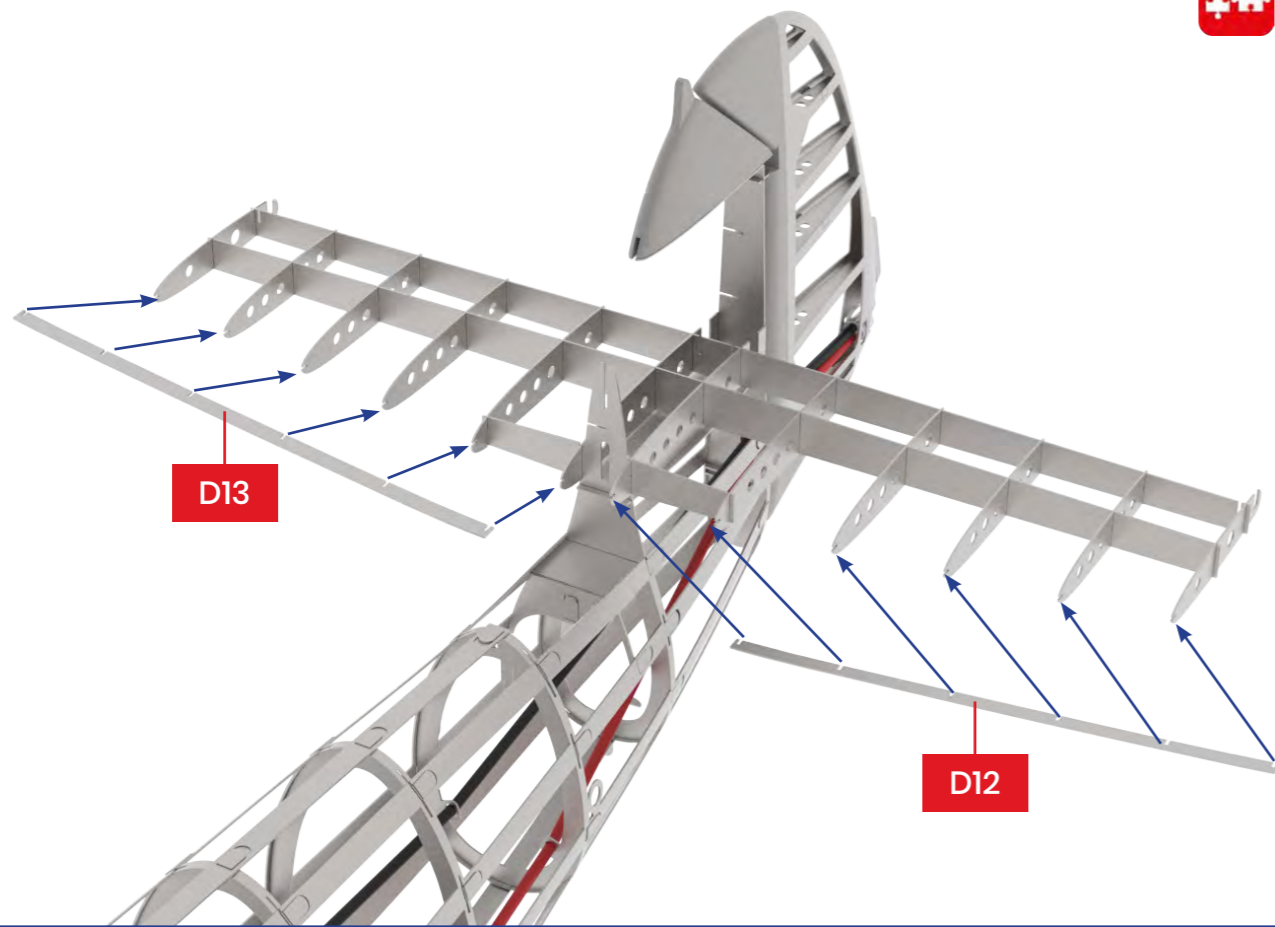
59



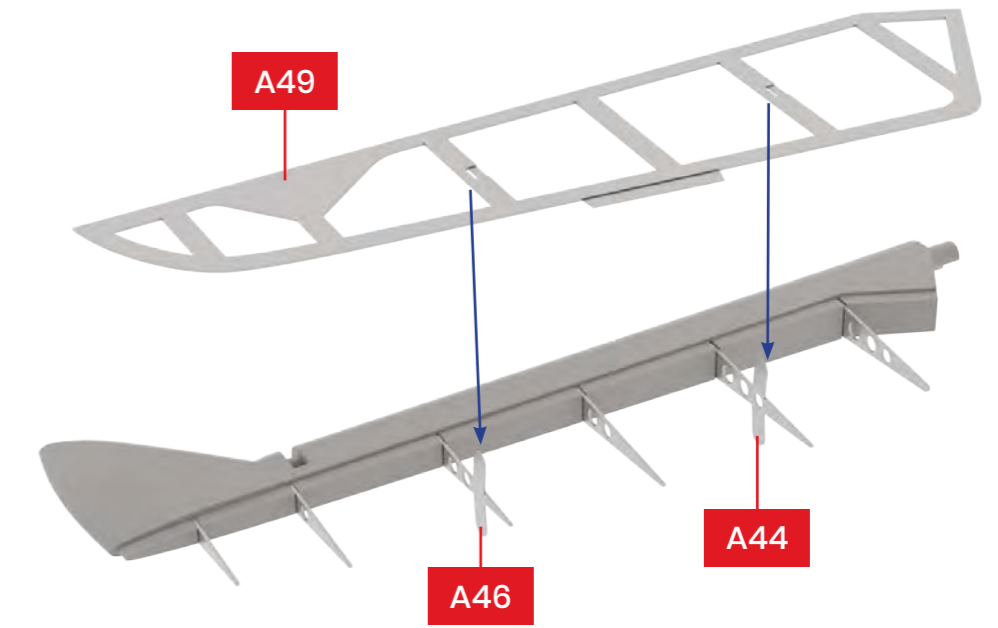
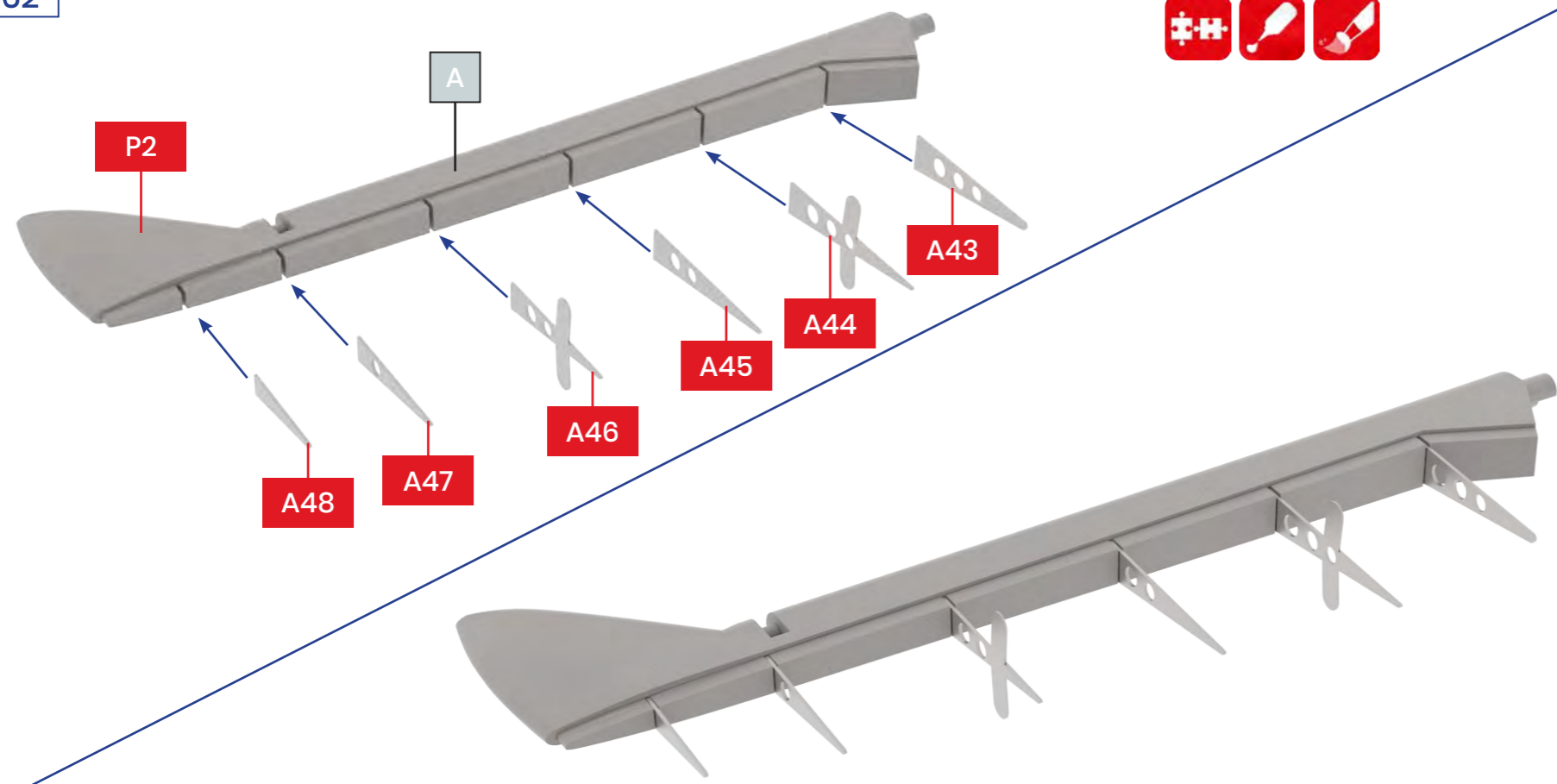
60



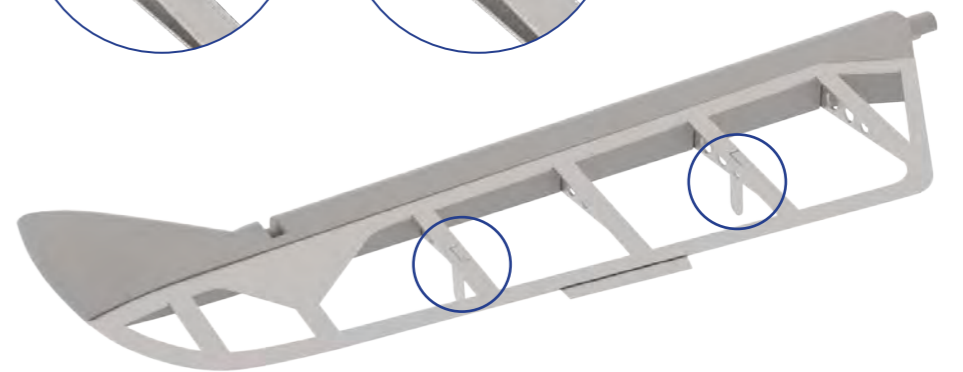
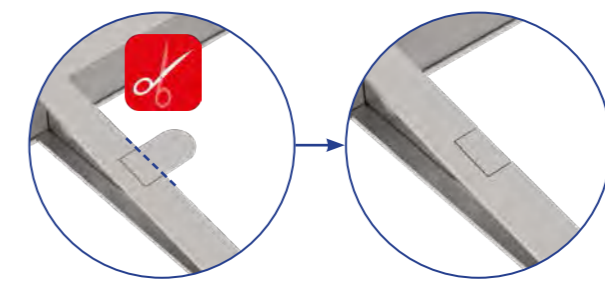
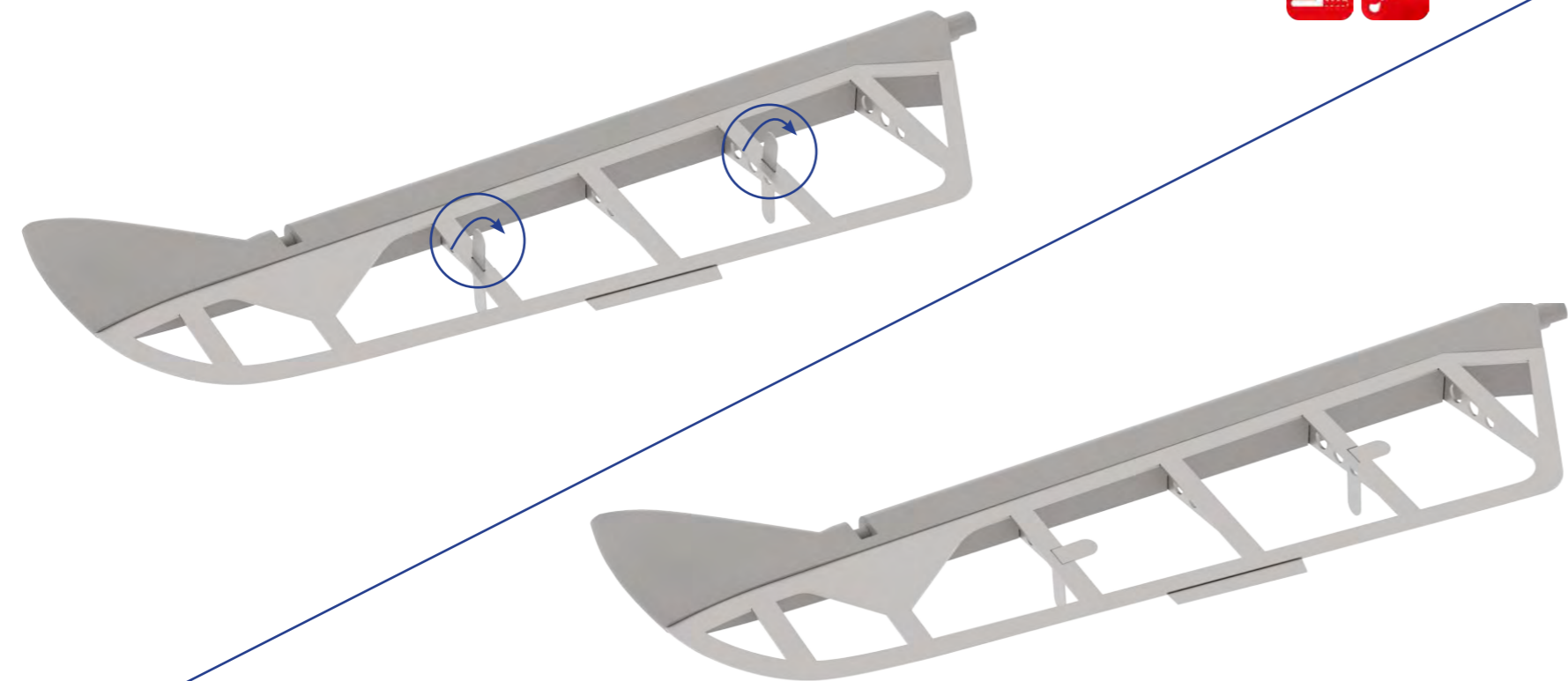
61



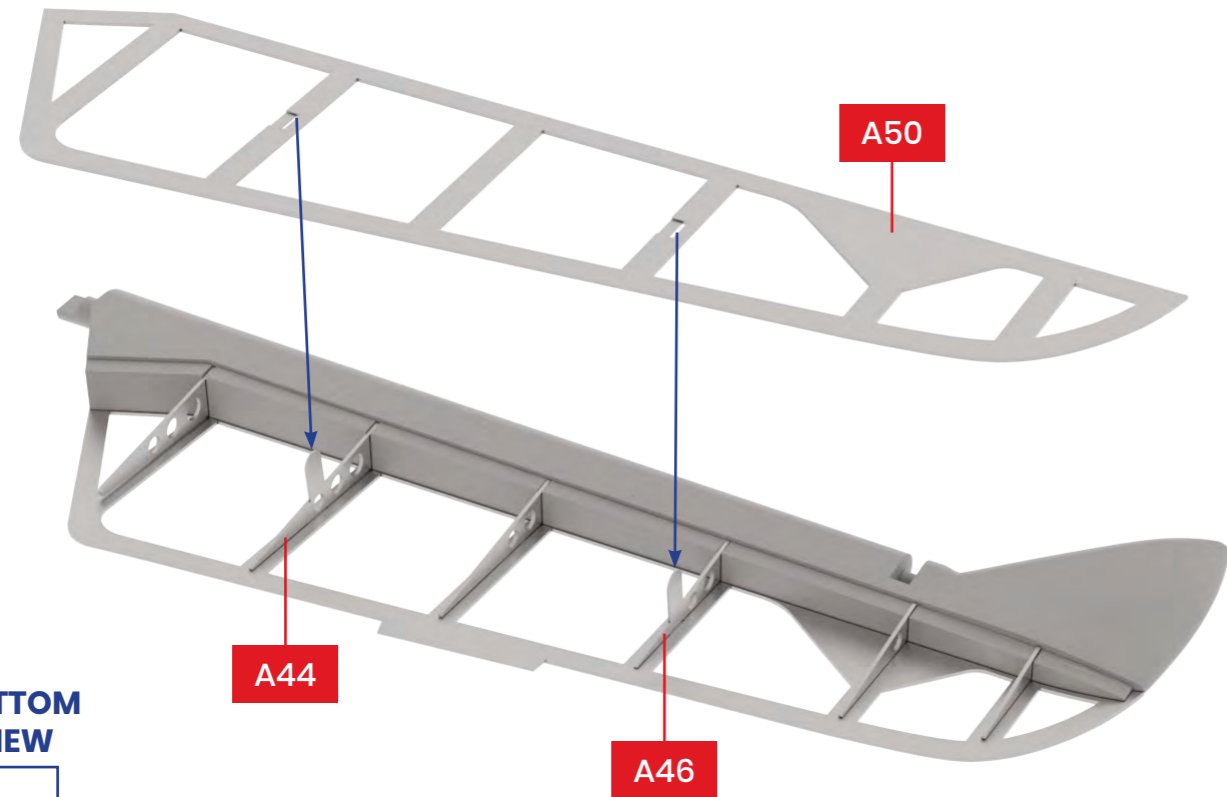
62



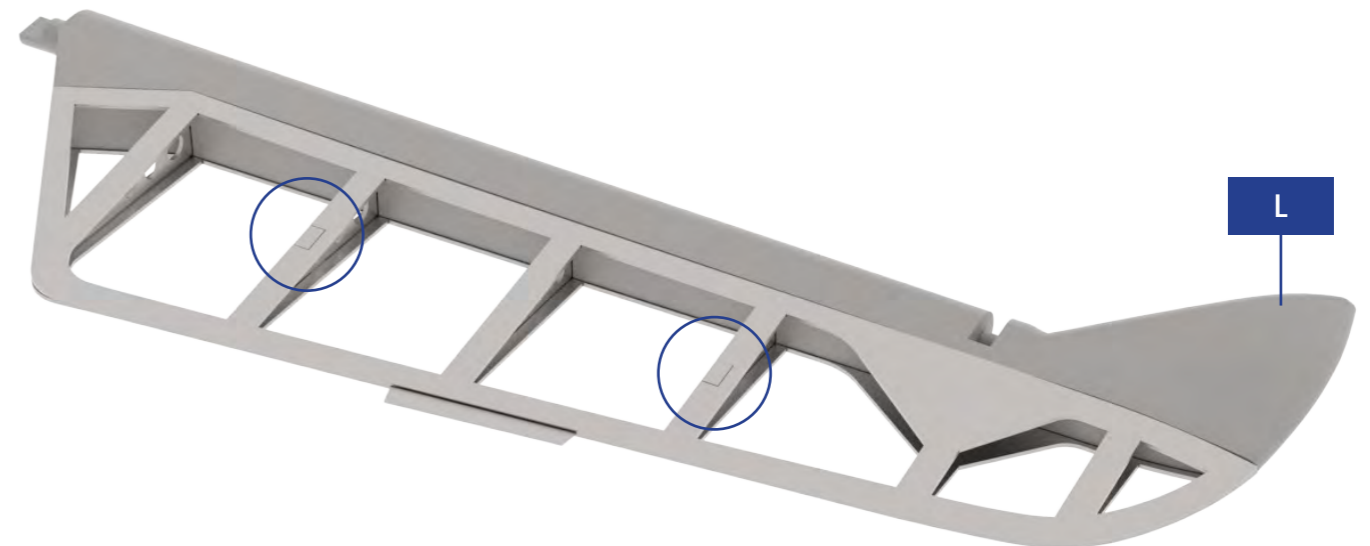
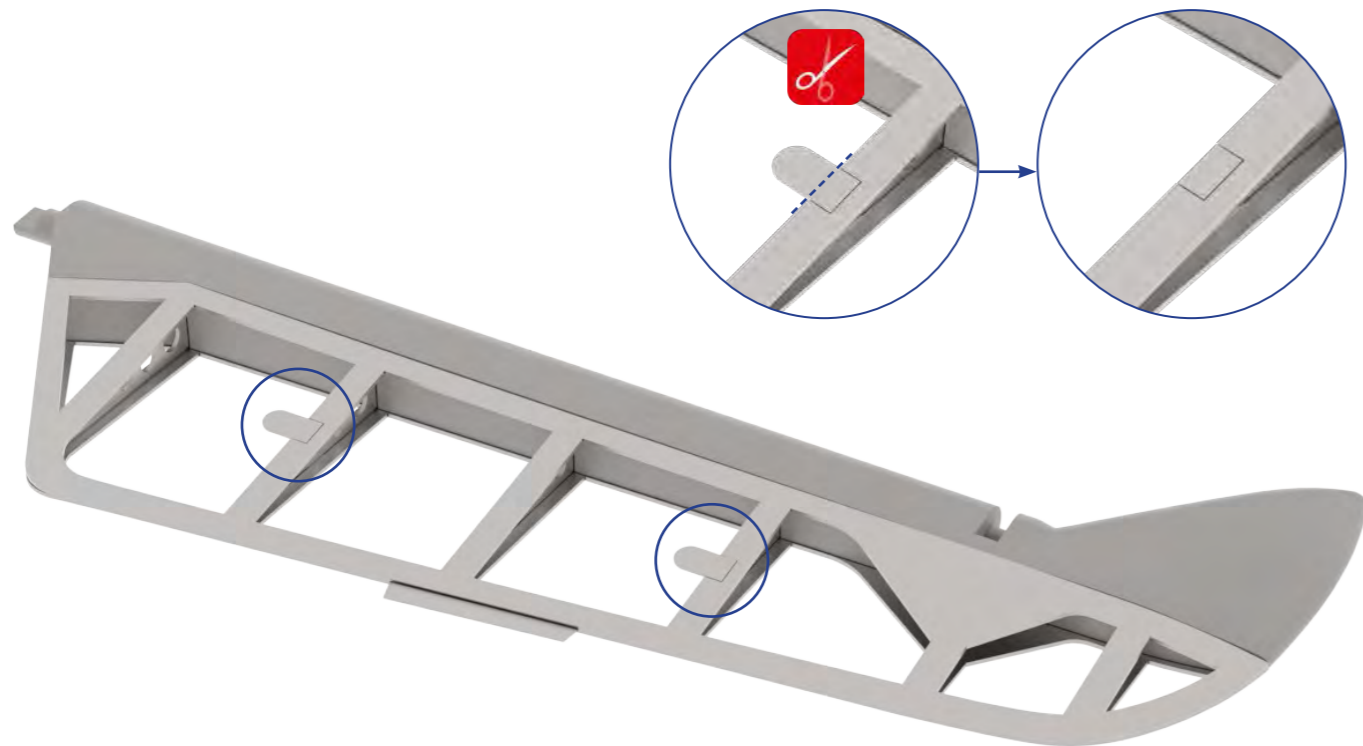
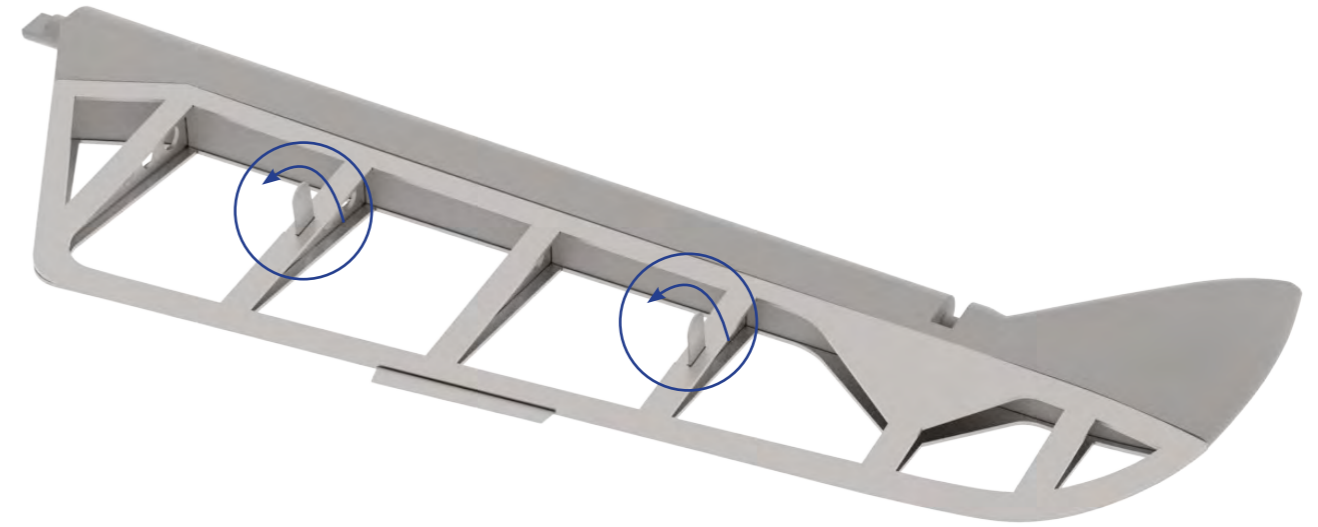
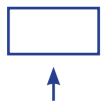
63



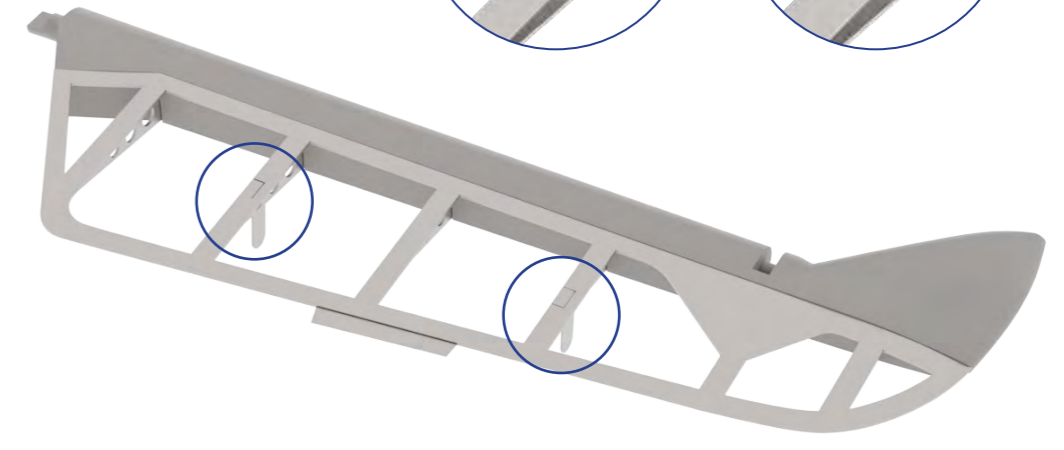
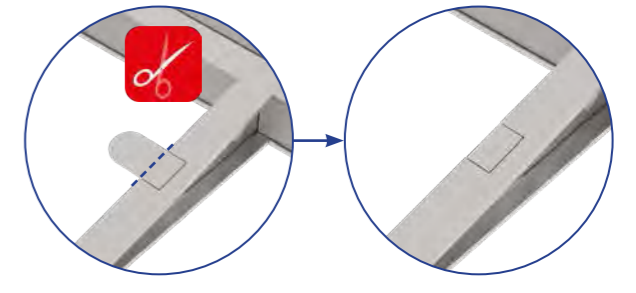
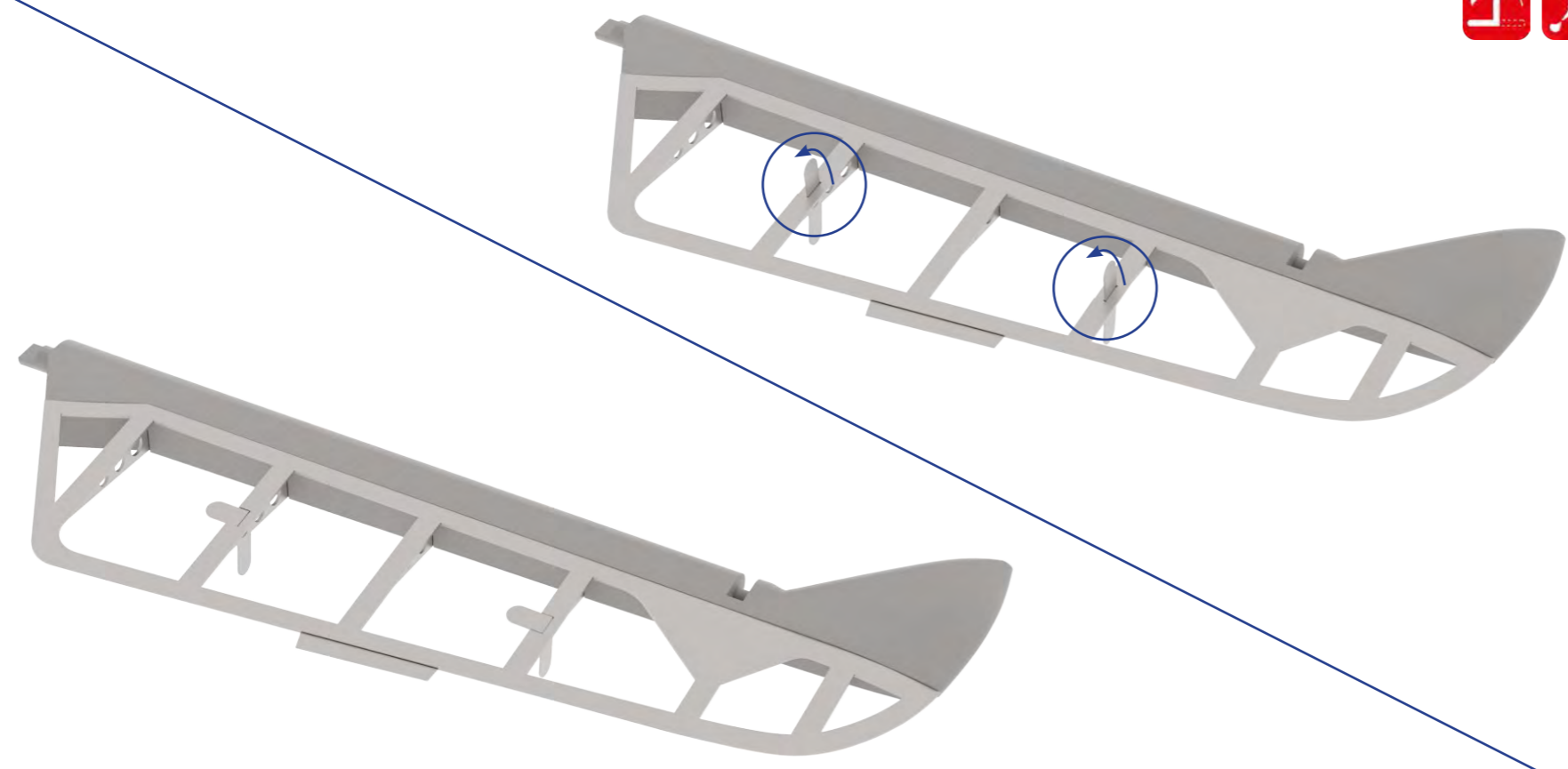
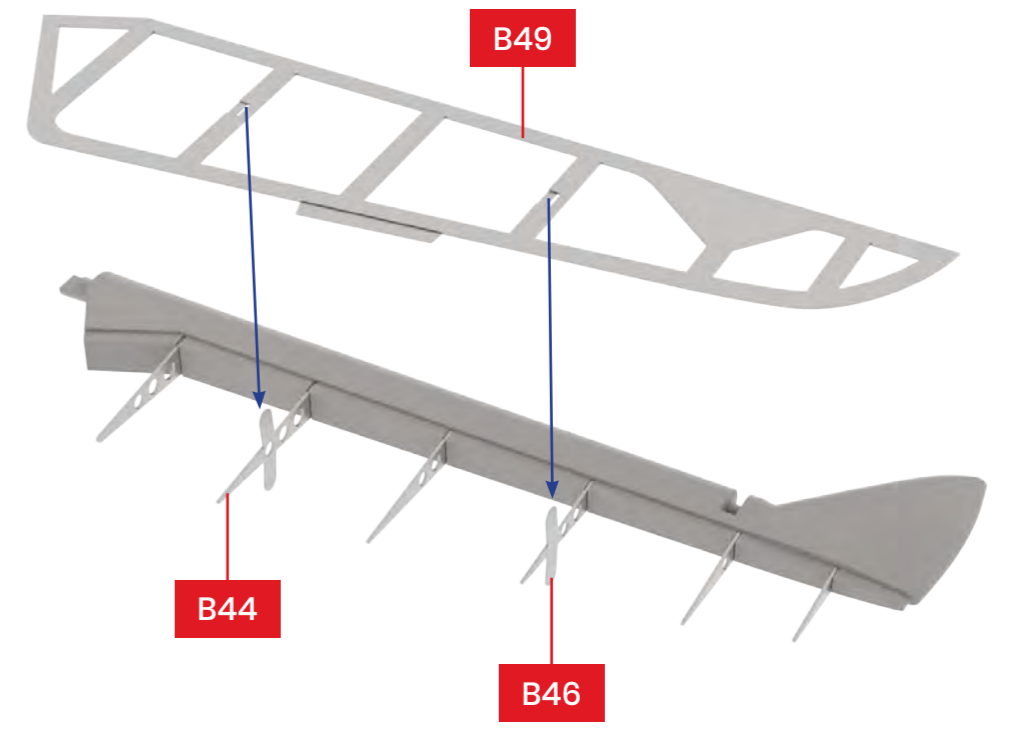
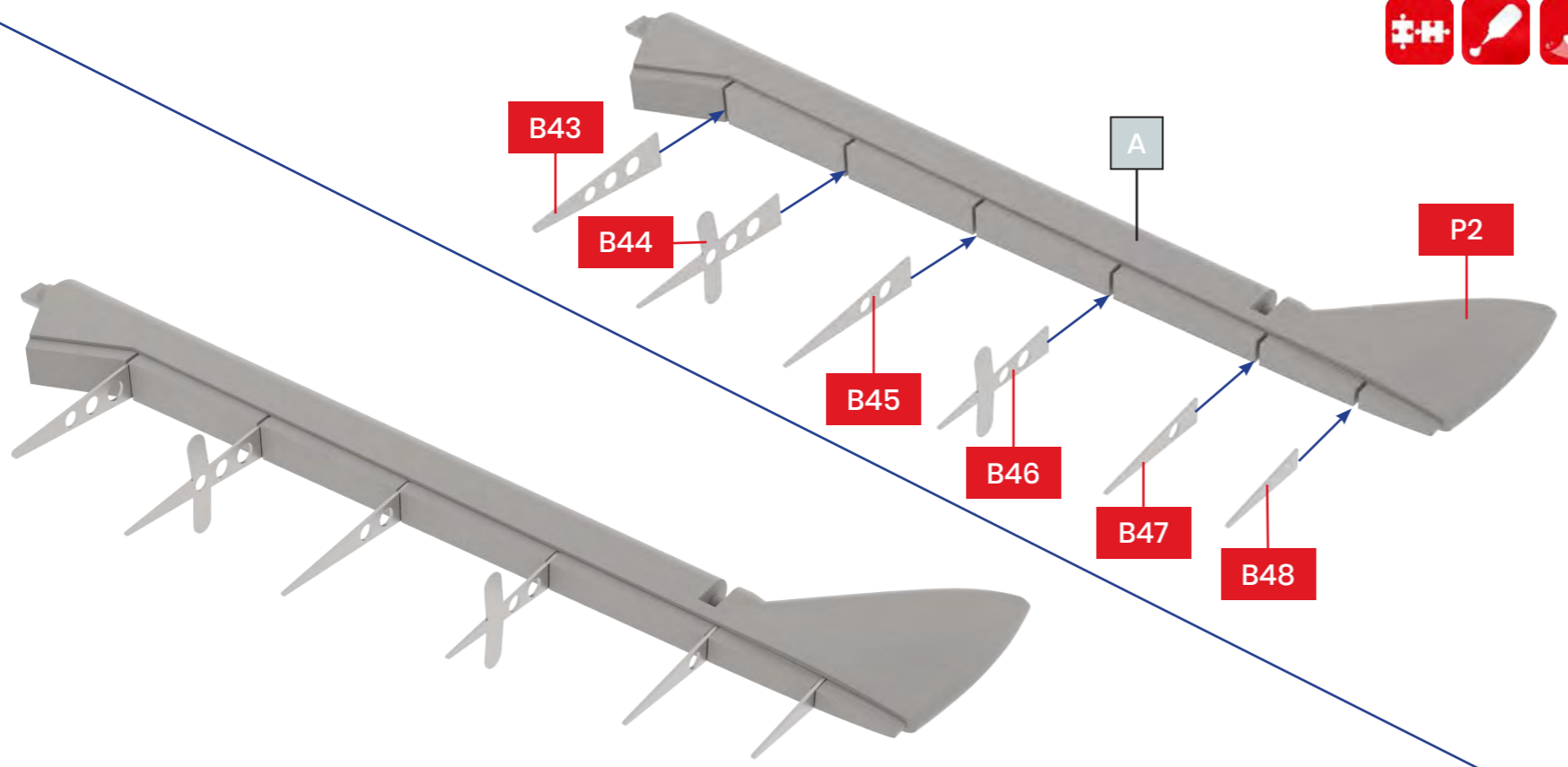
64



**BOTTOM
VIEW**

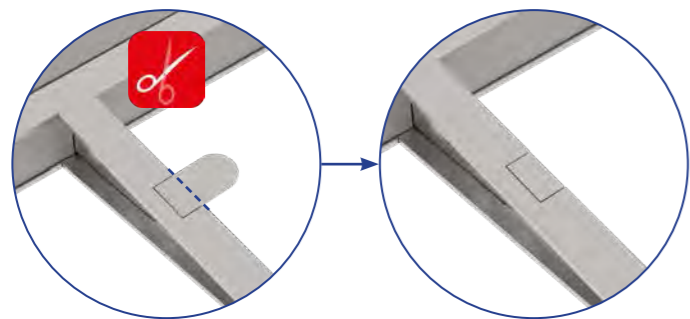
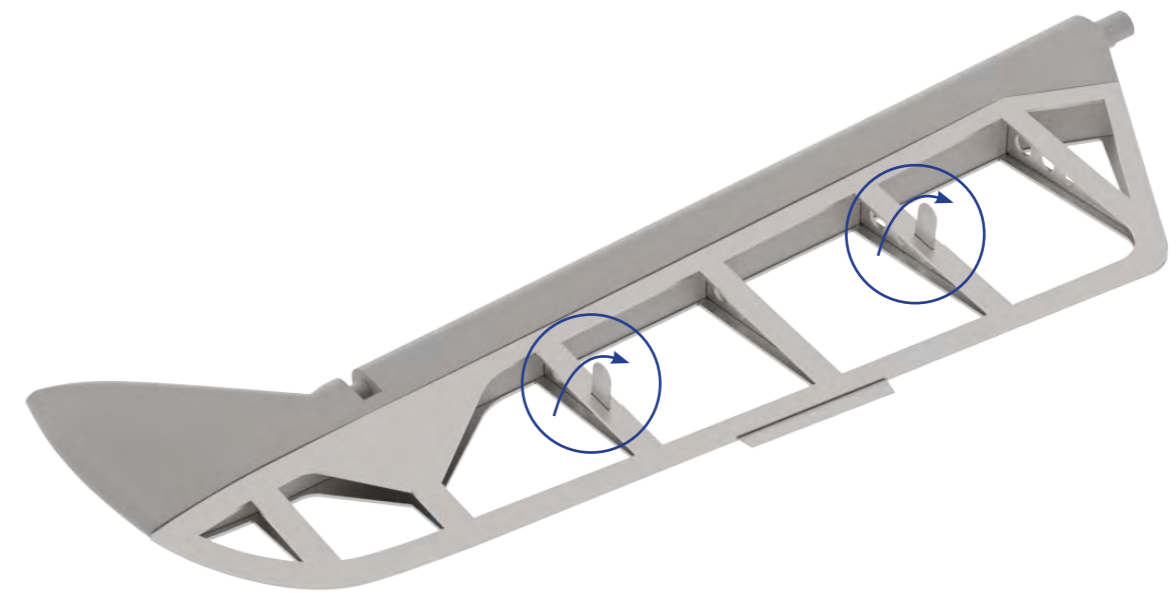
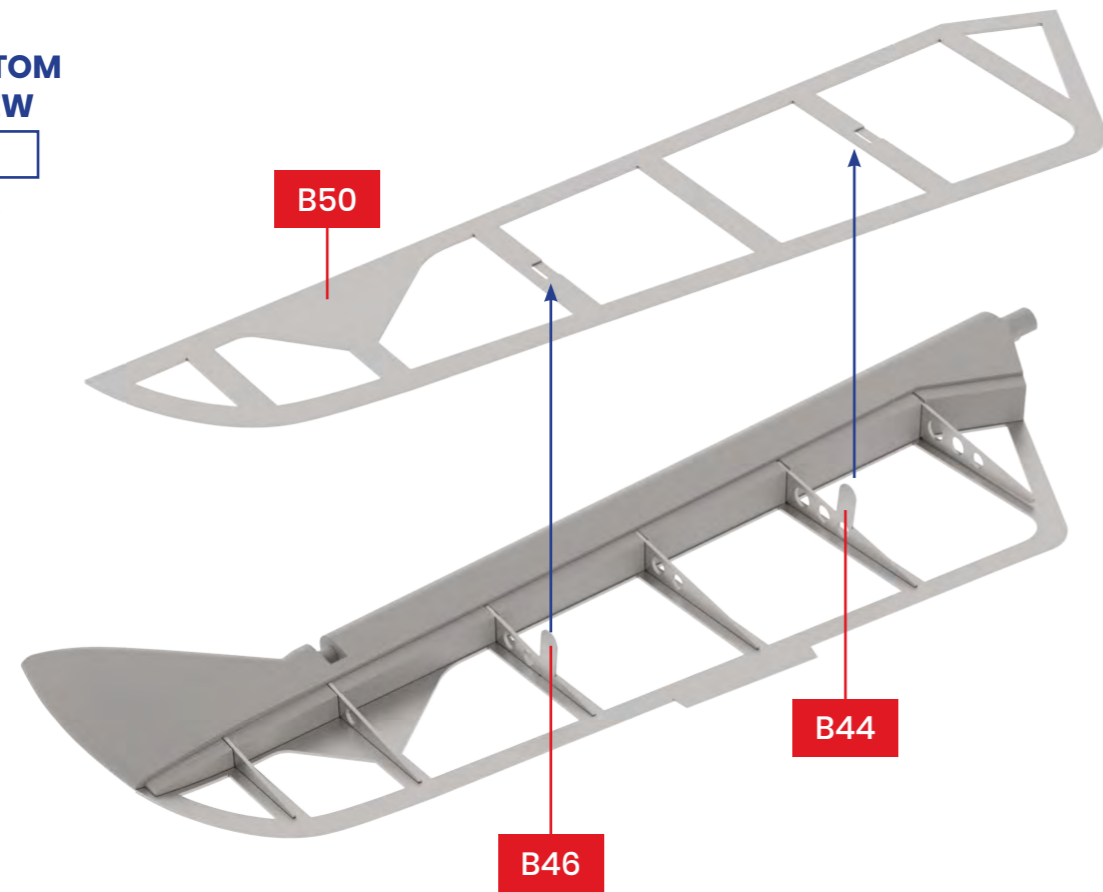


65



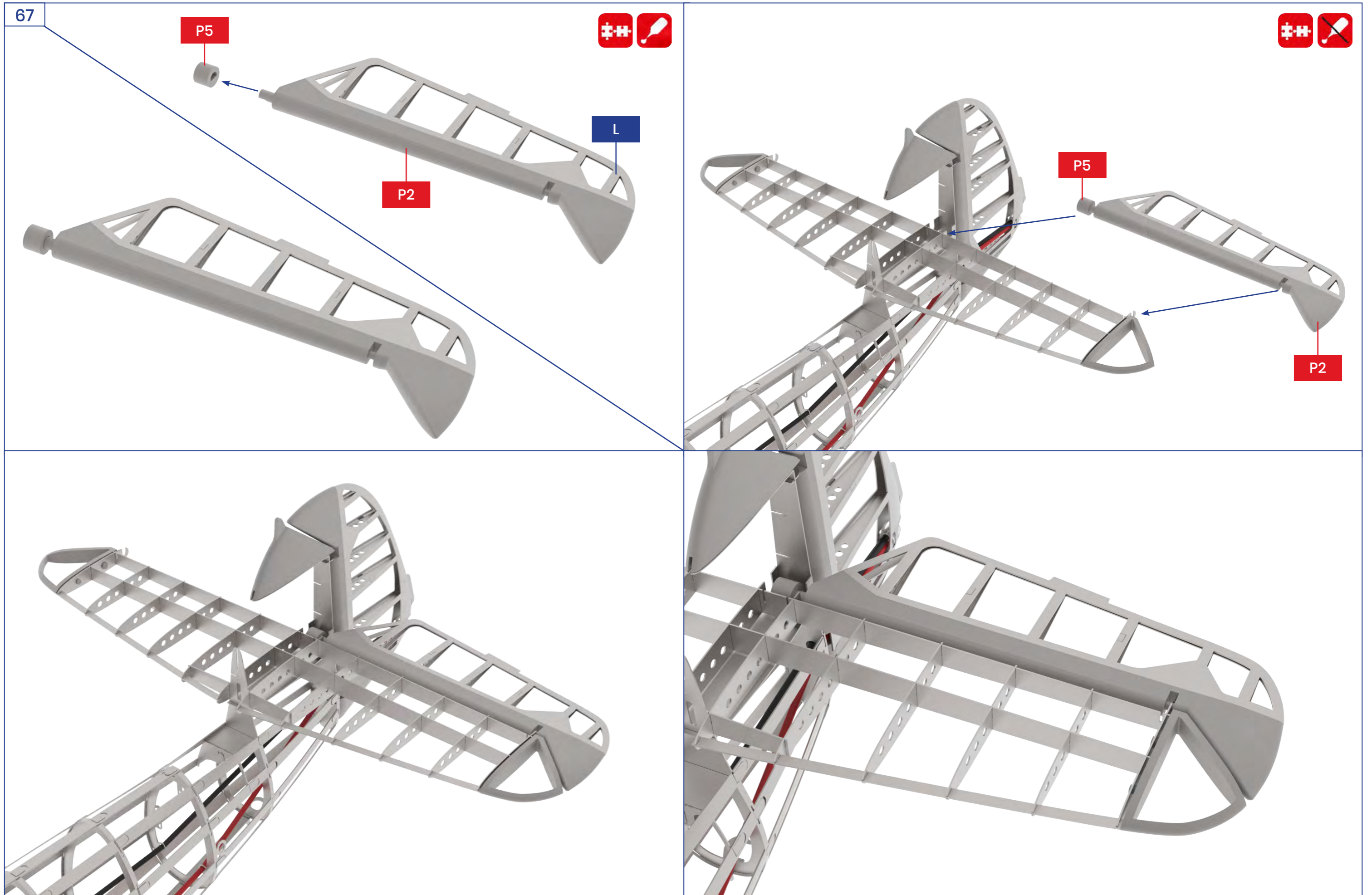
66

**BOTTOM
VIEW**

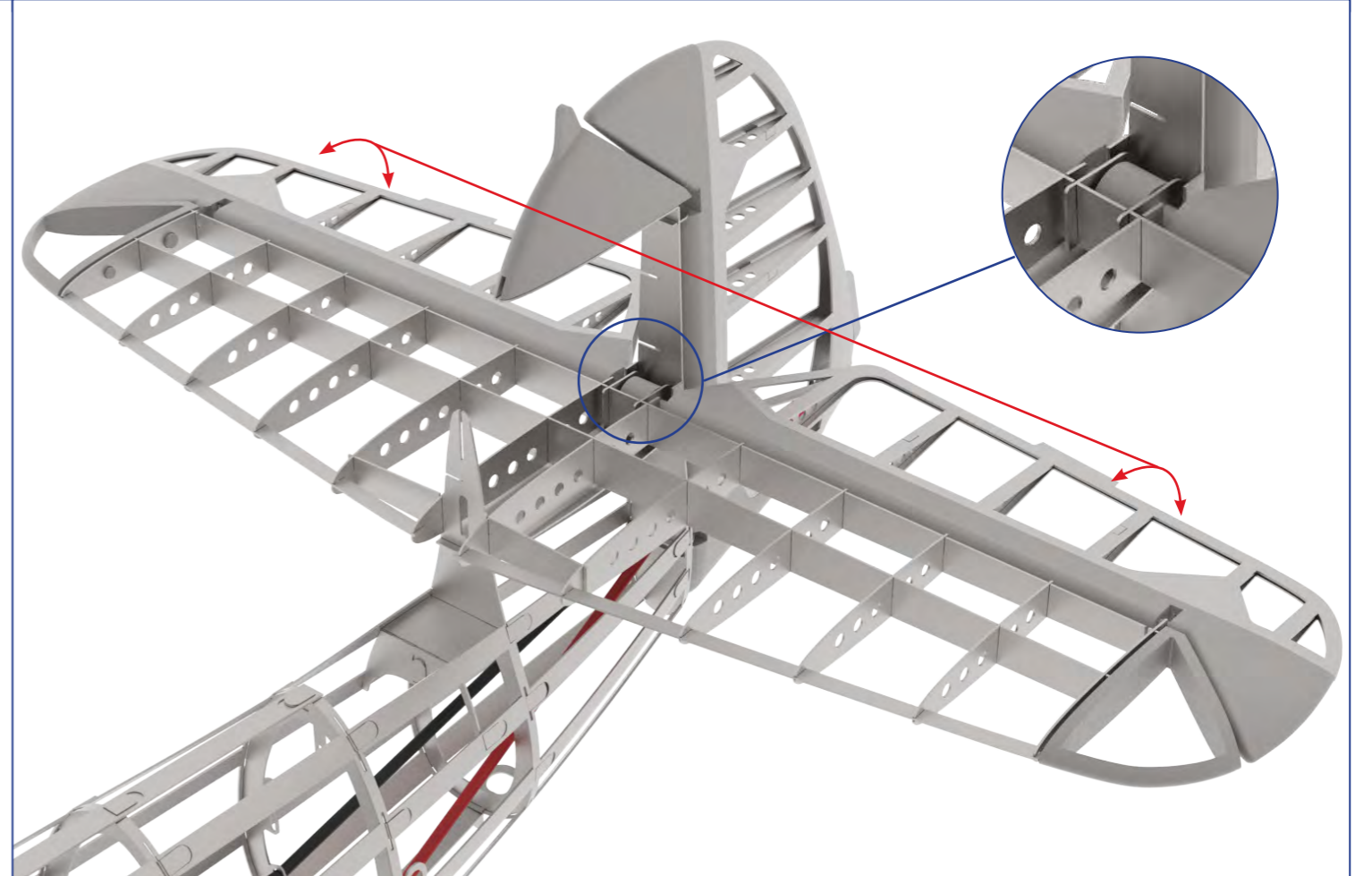
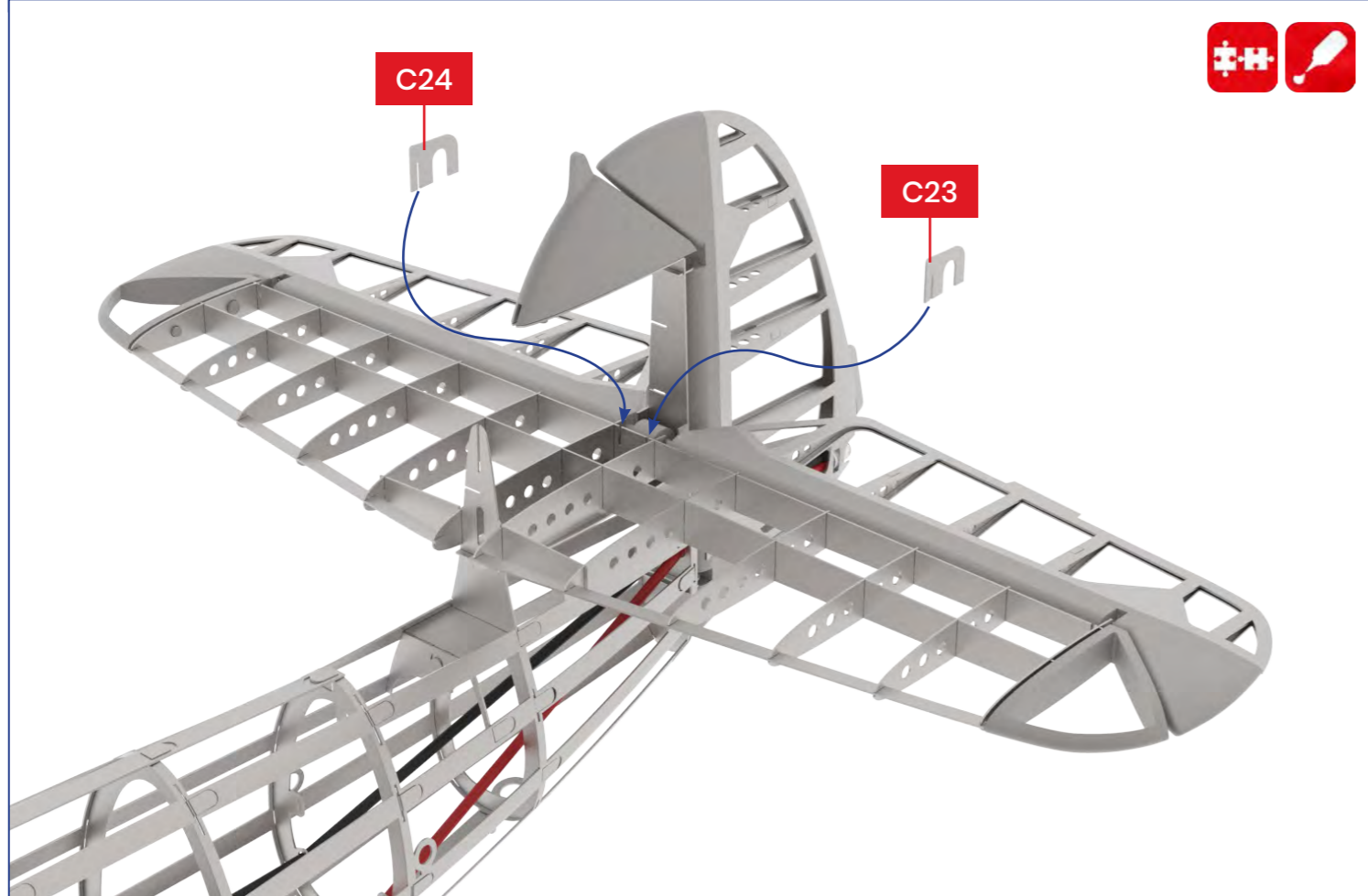
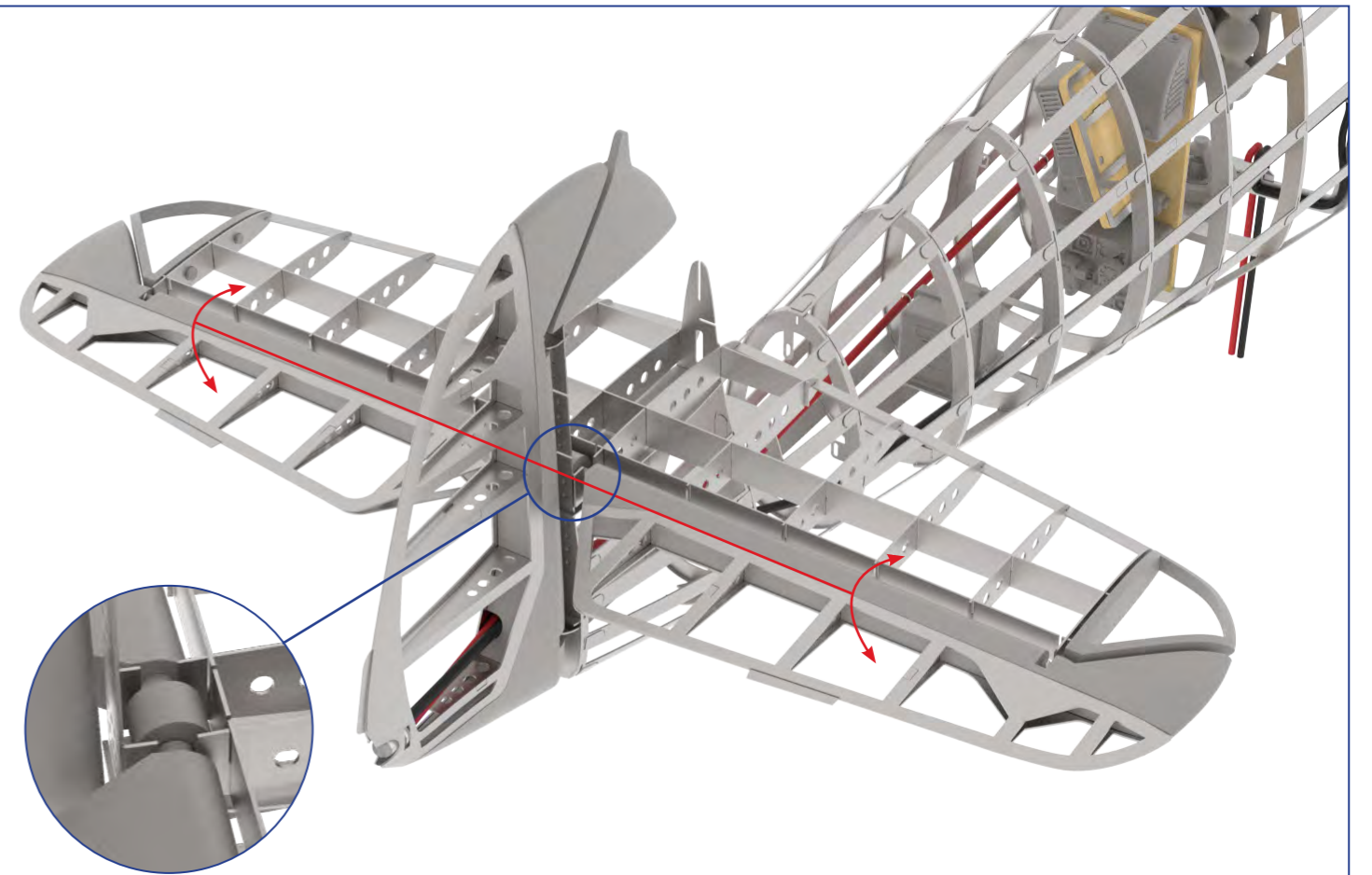
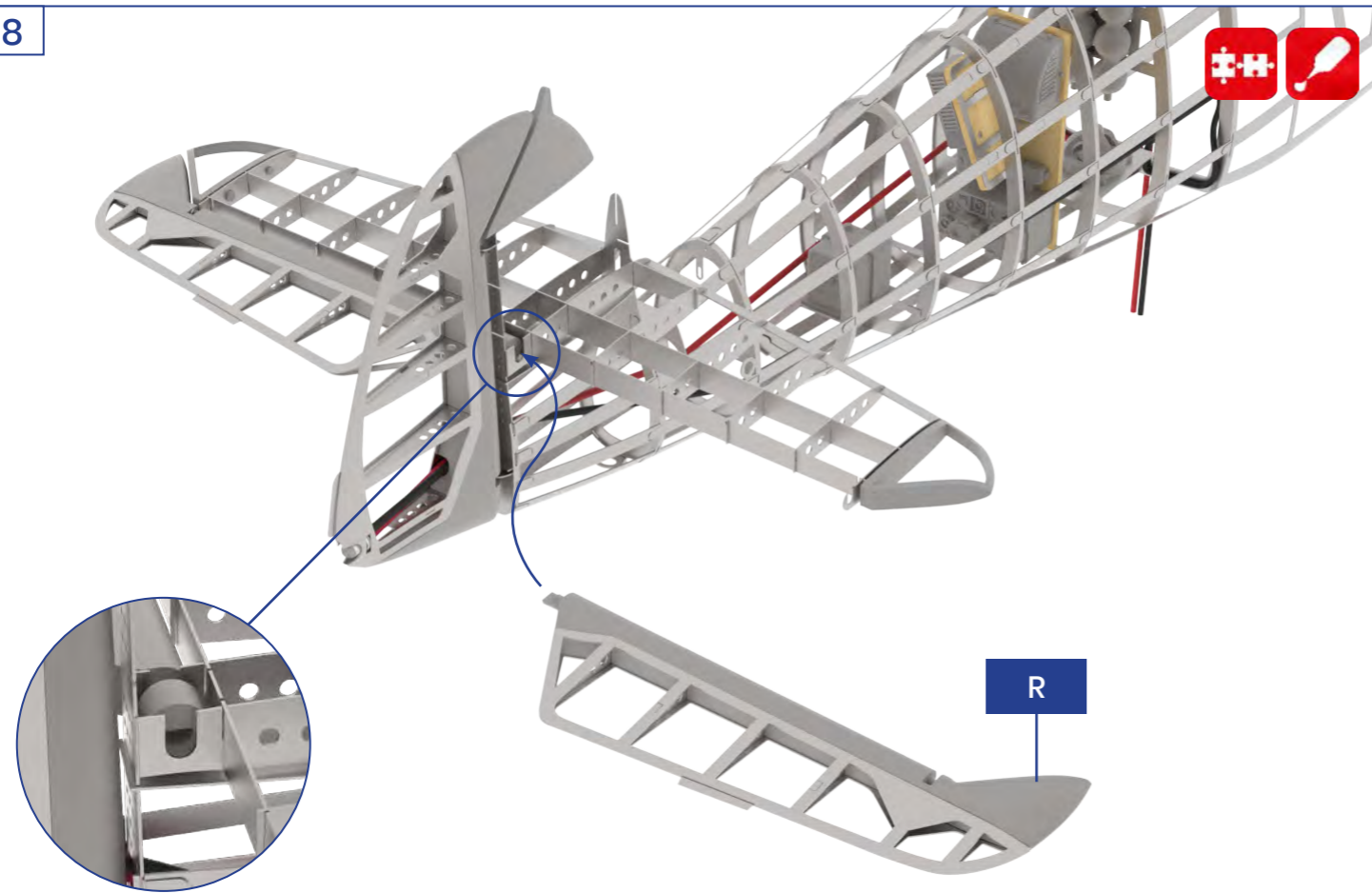


R

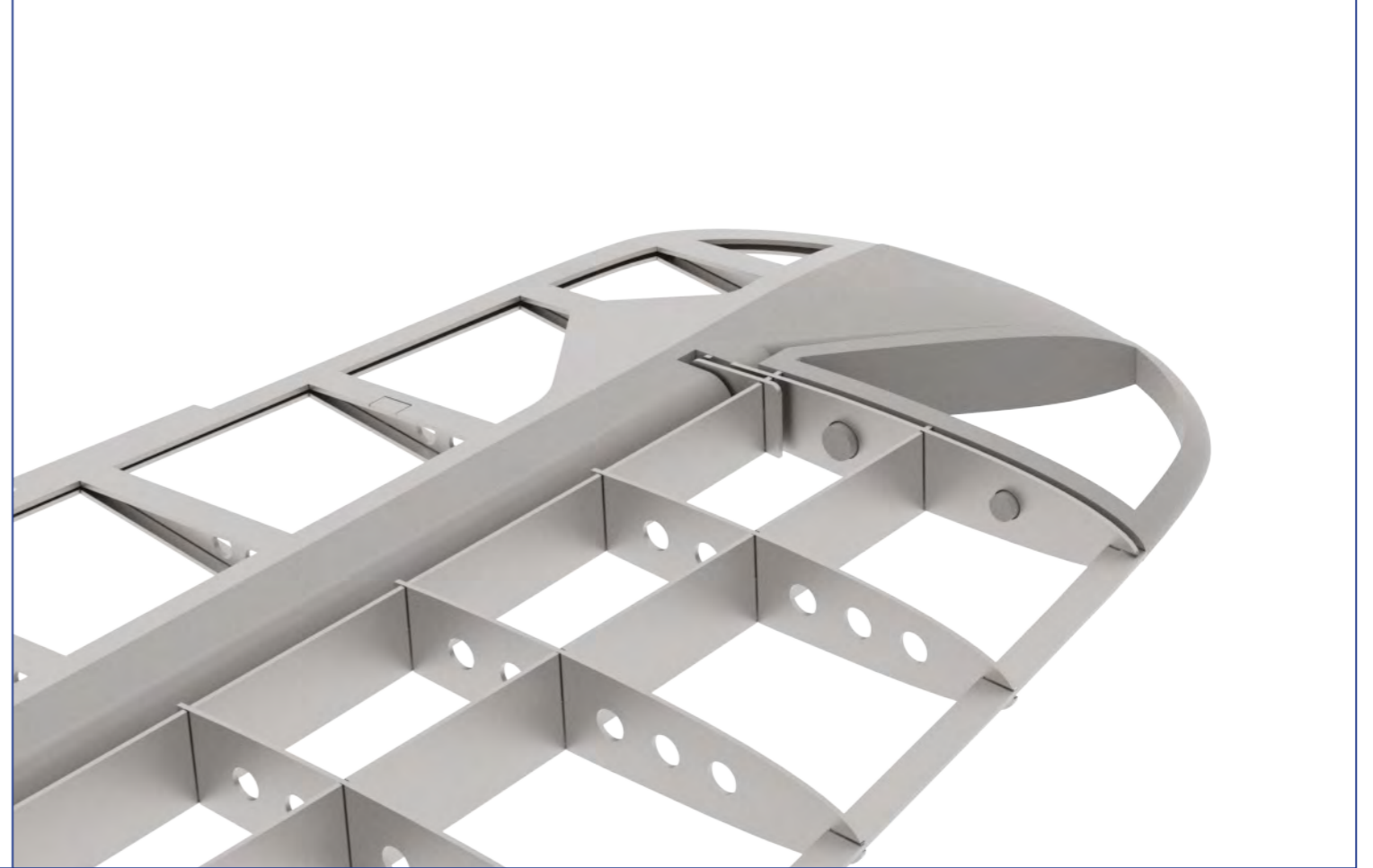
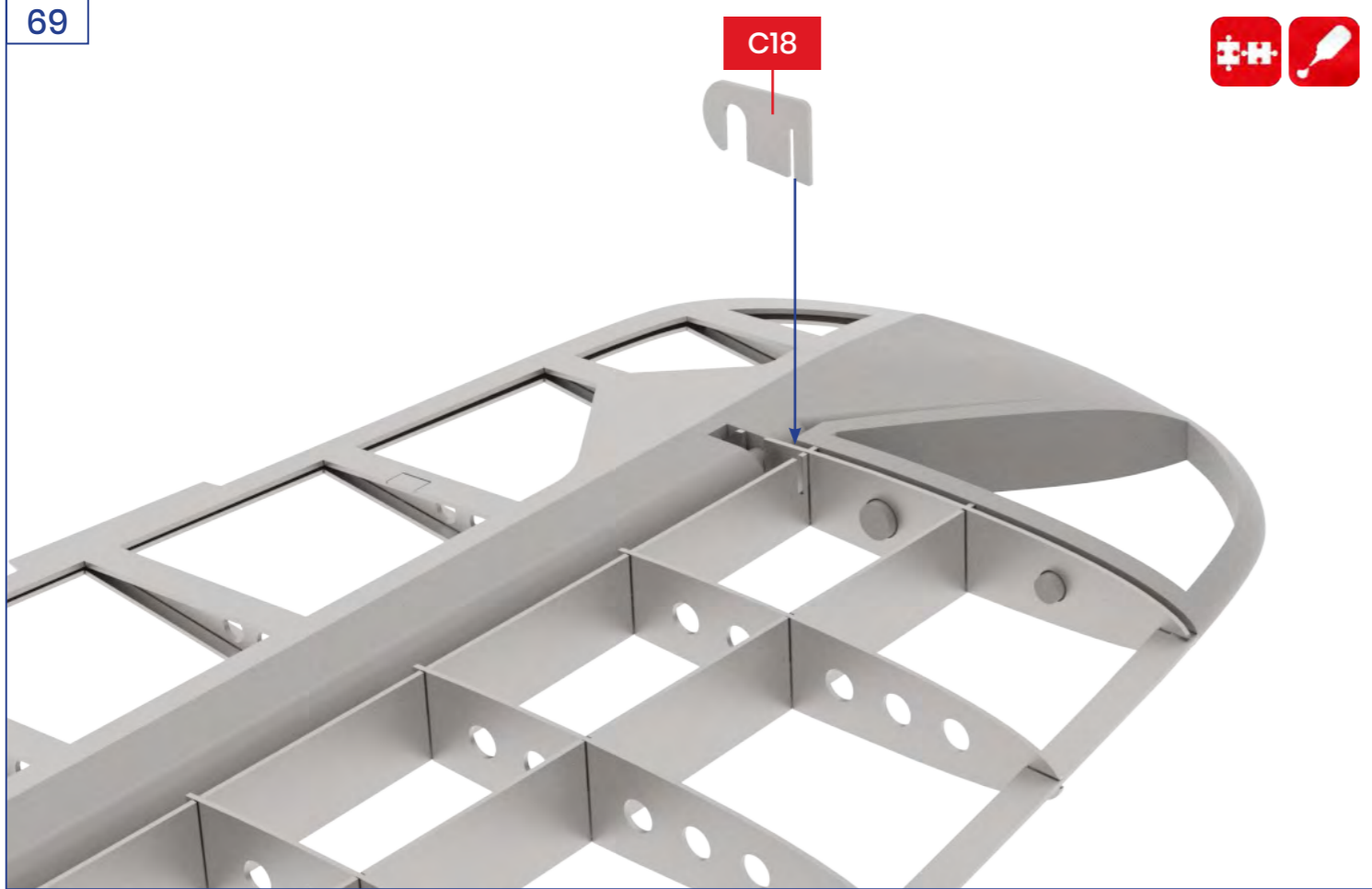




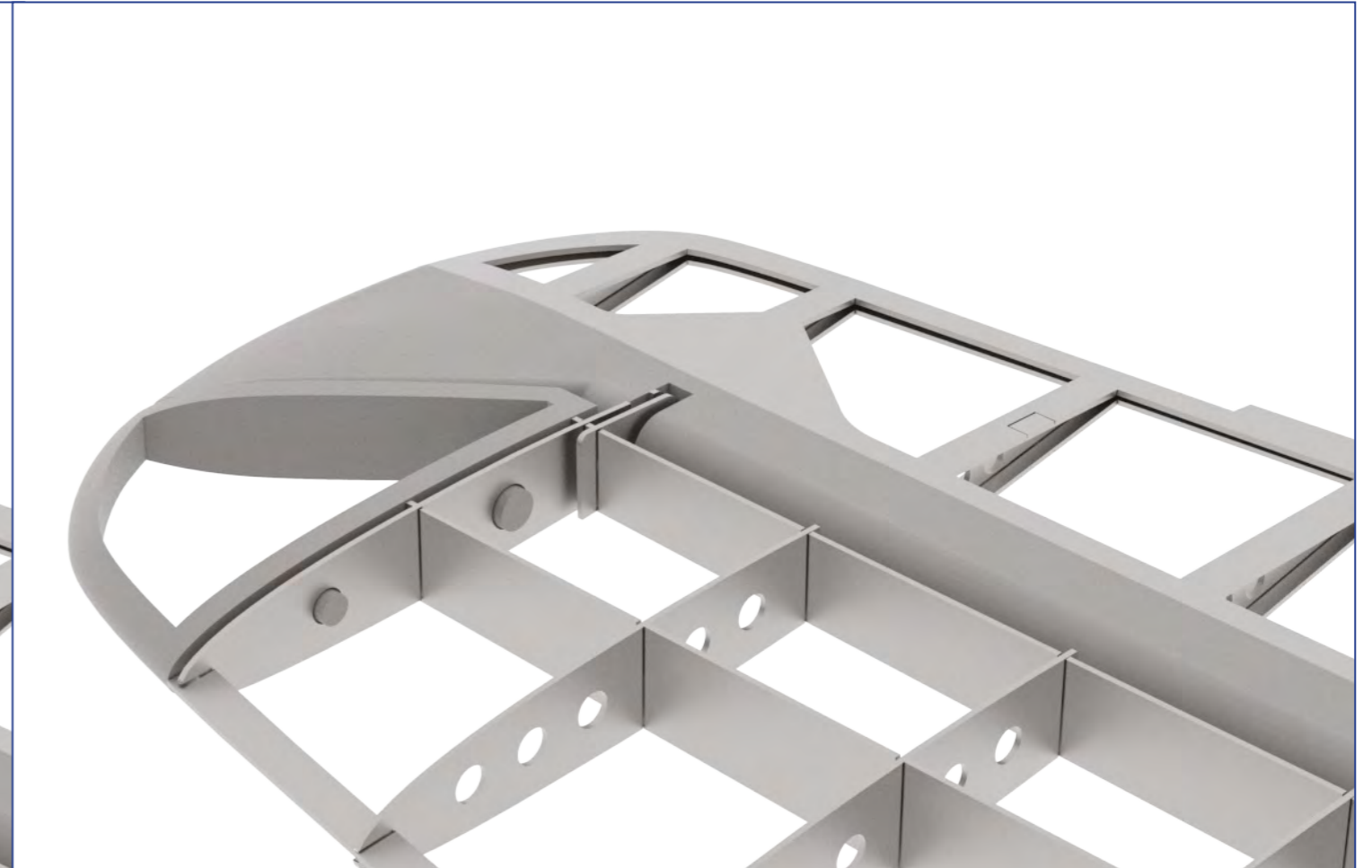
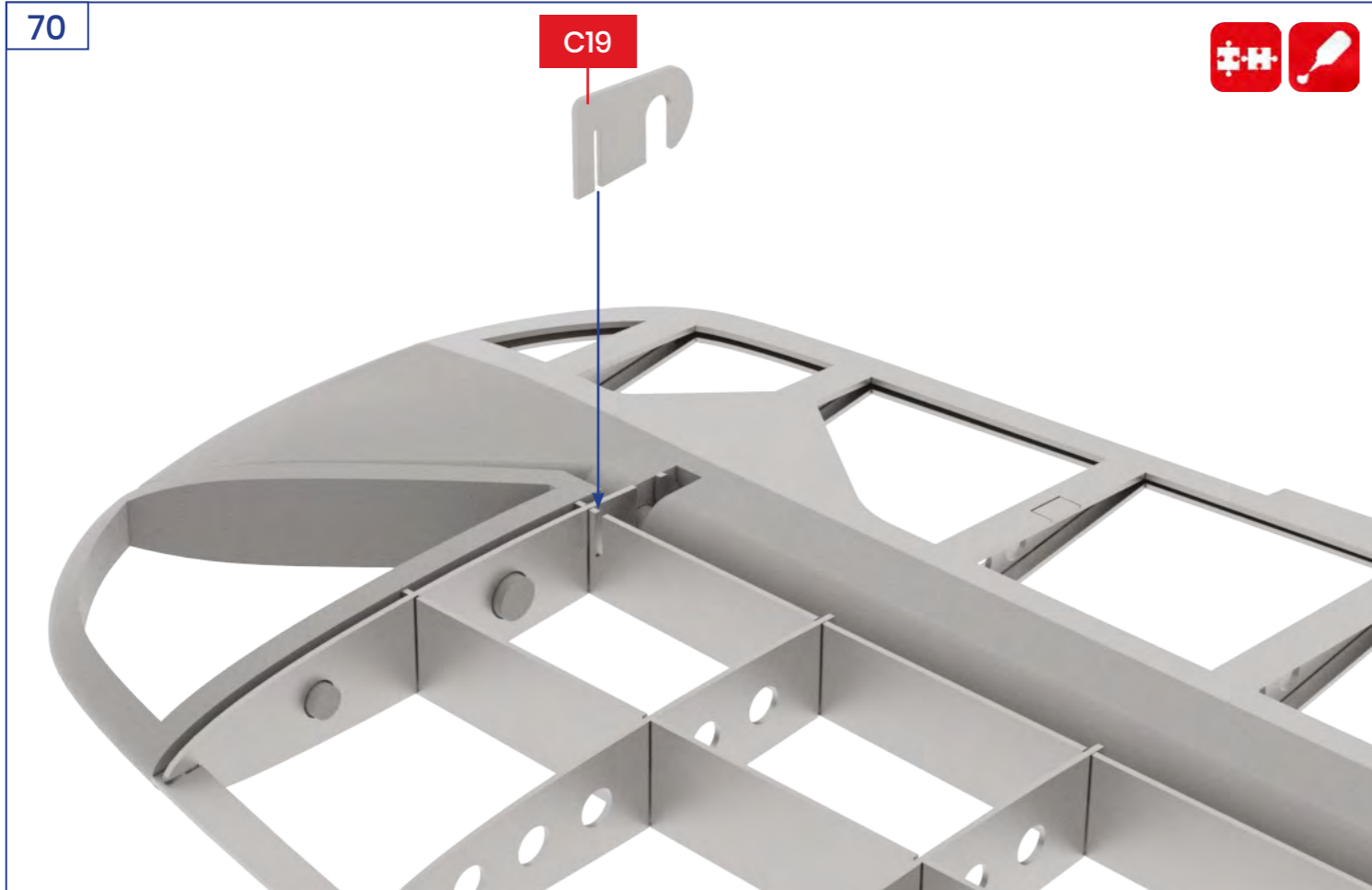
68



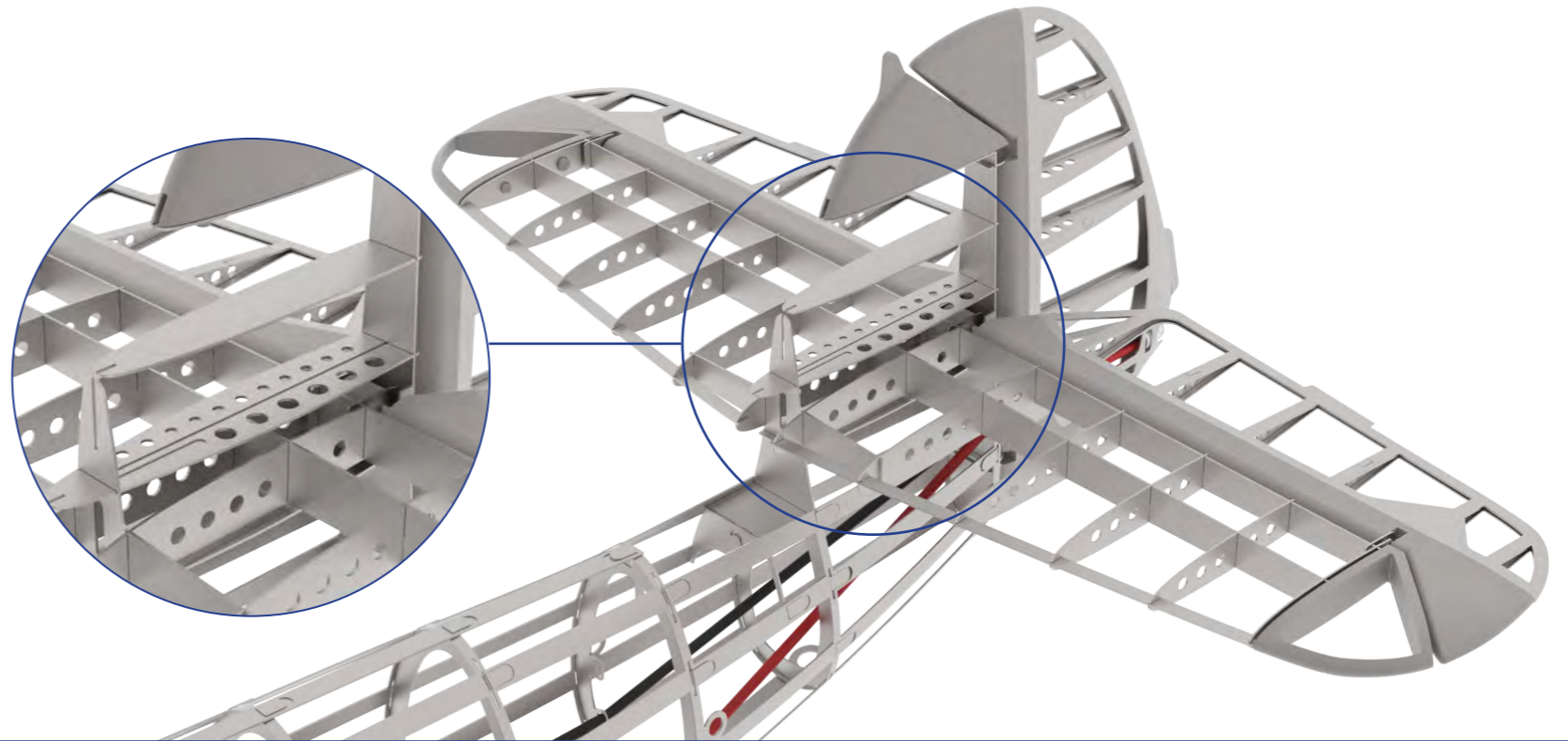
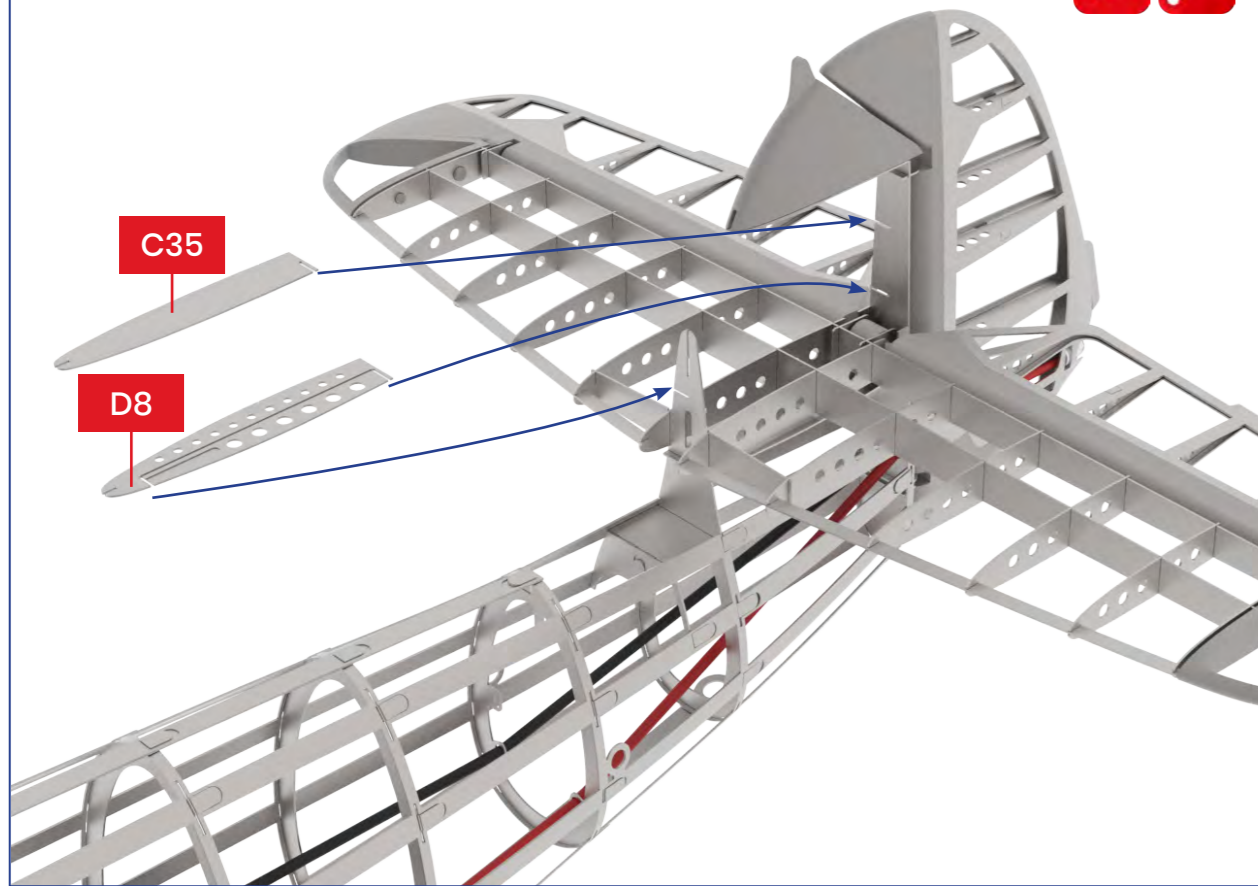
69



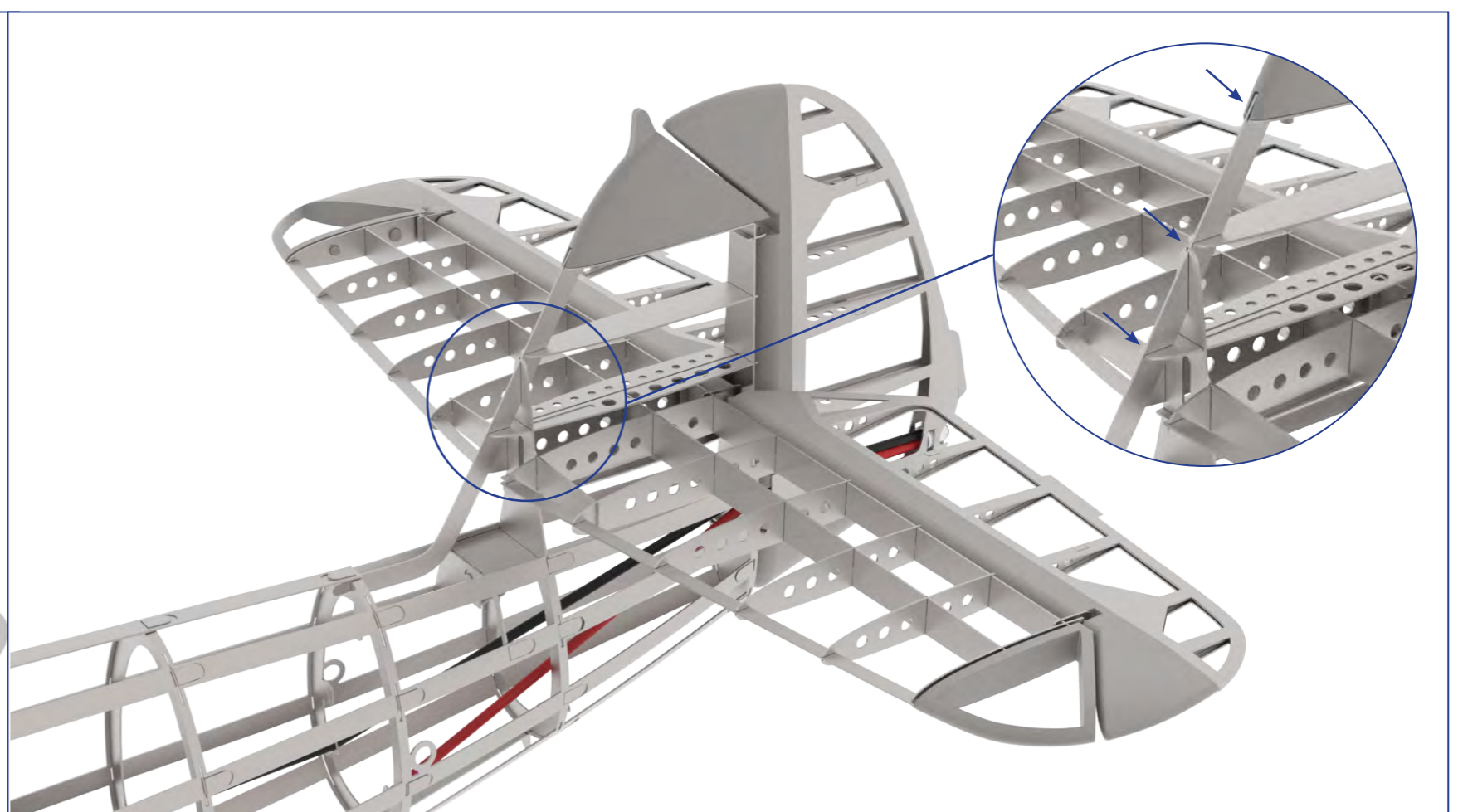
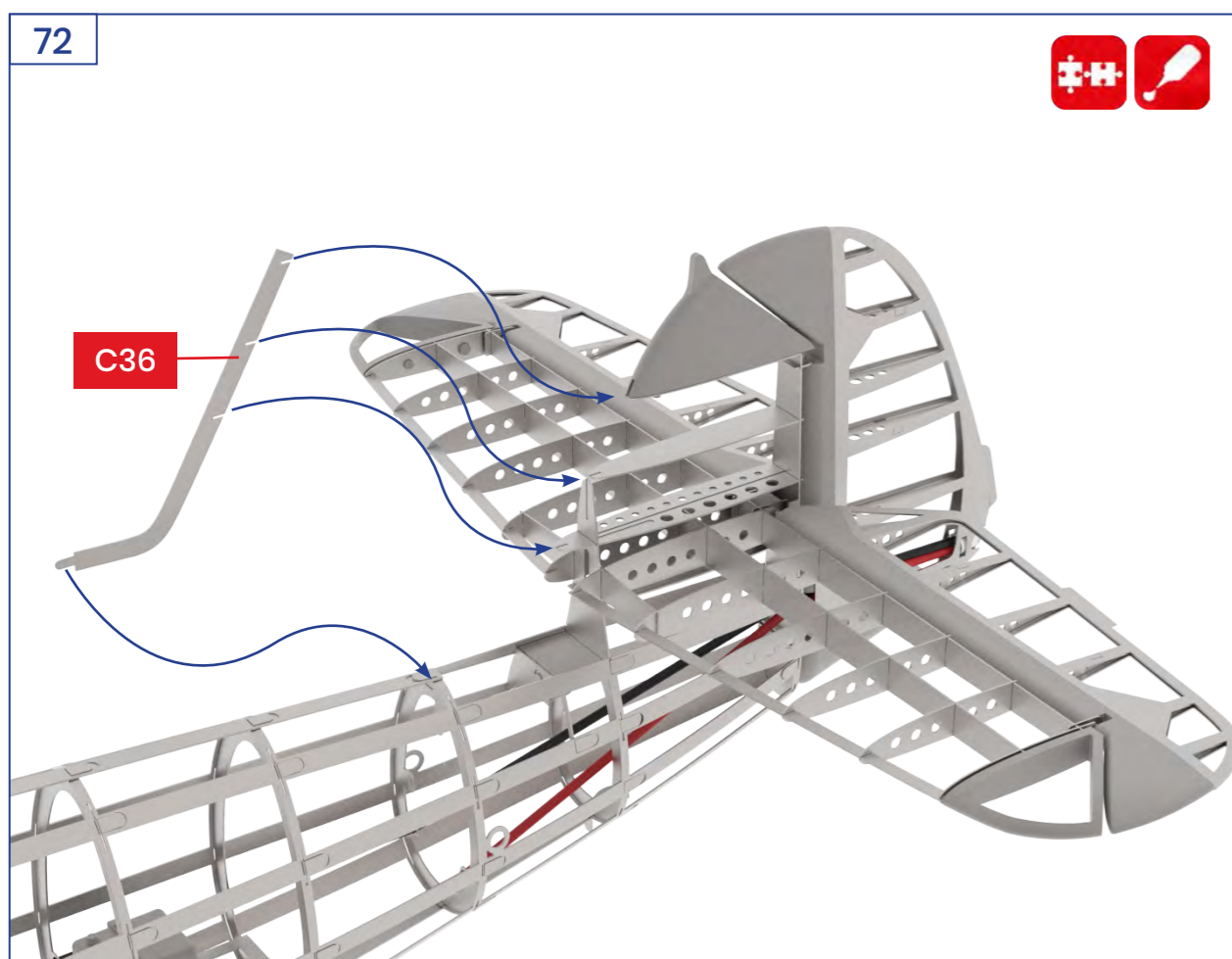
70



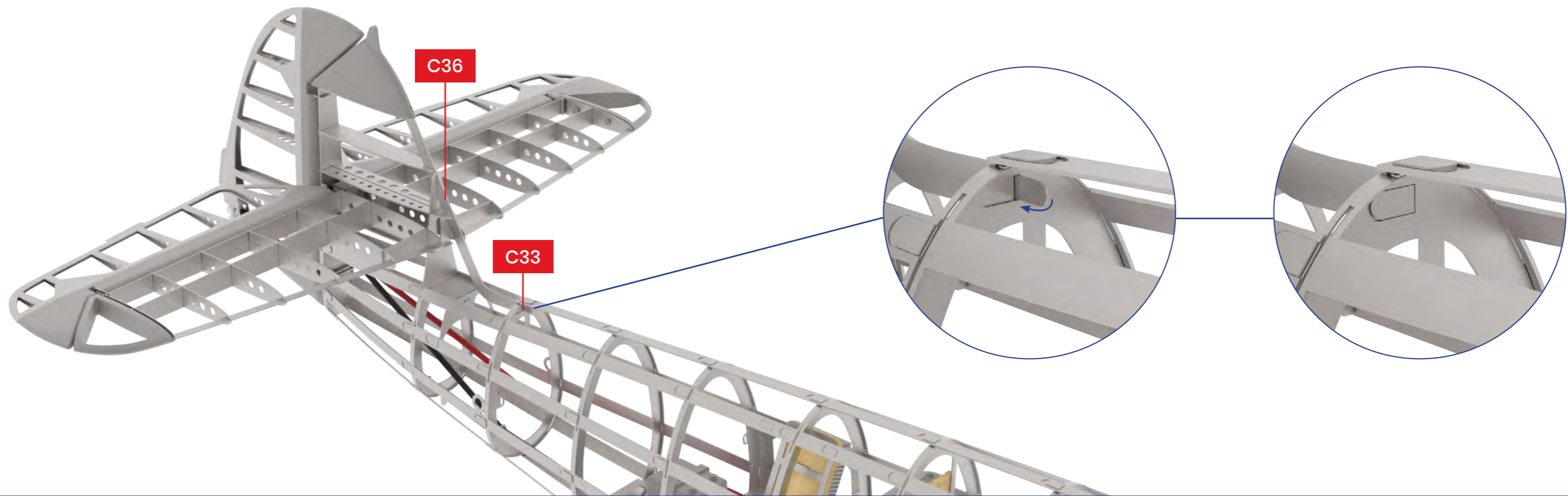
71



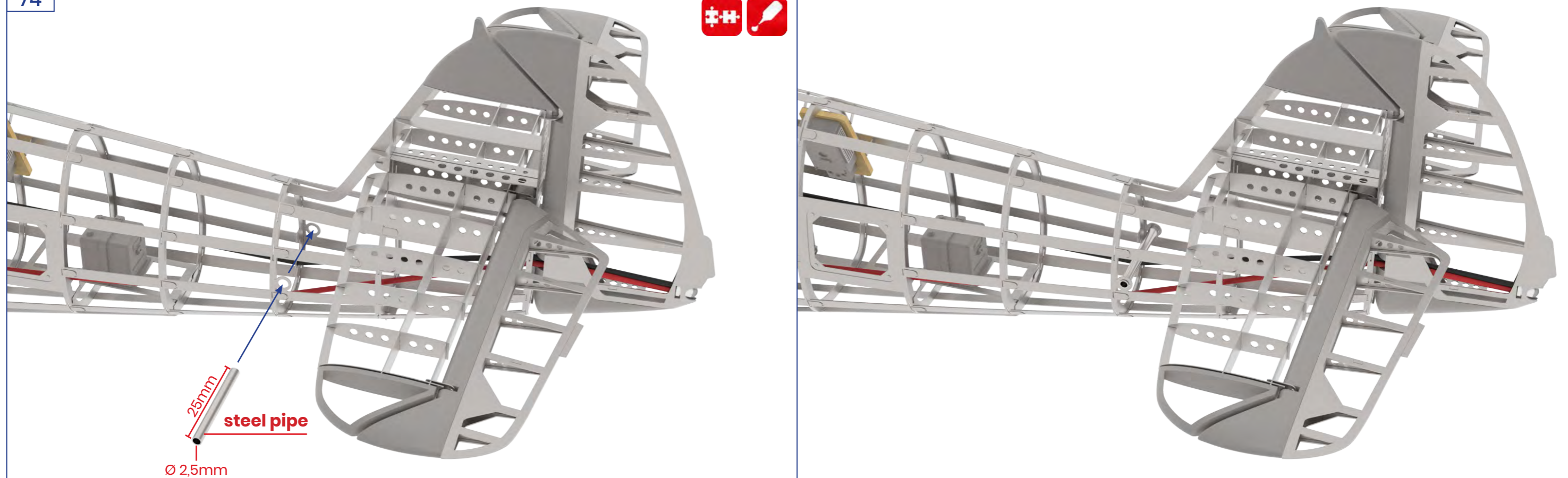
72



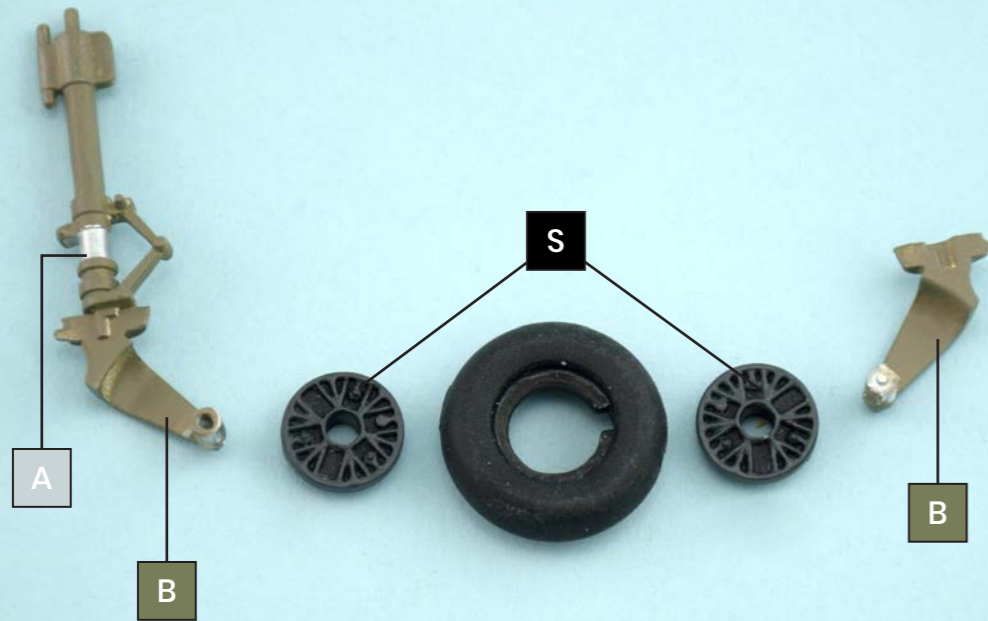
73



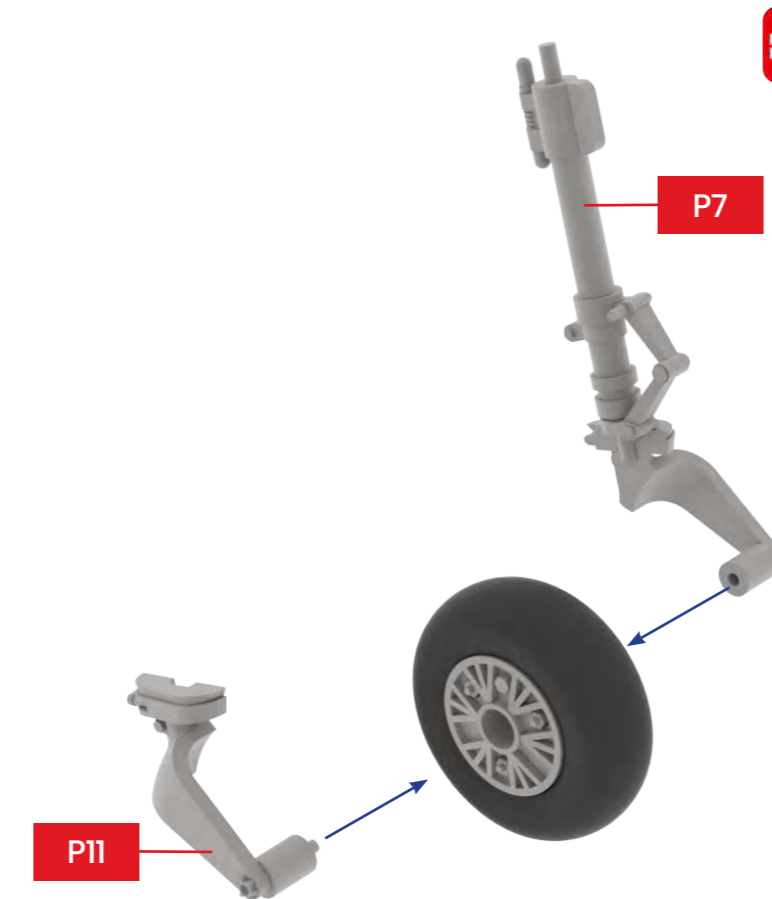
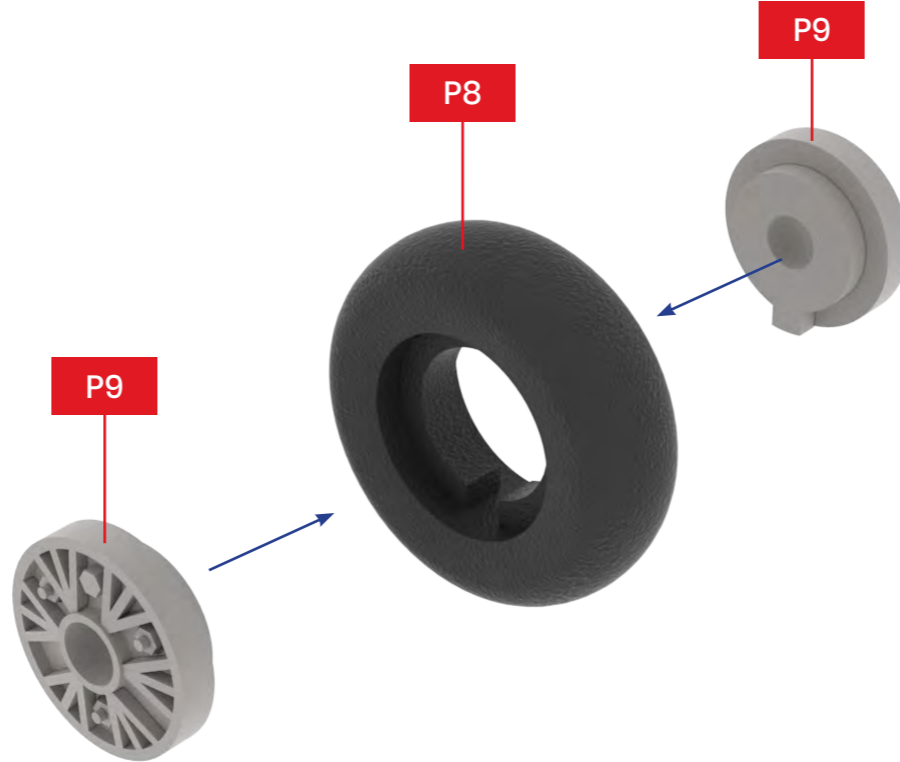
74



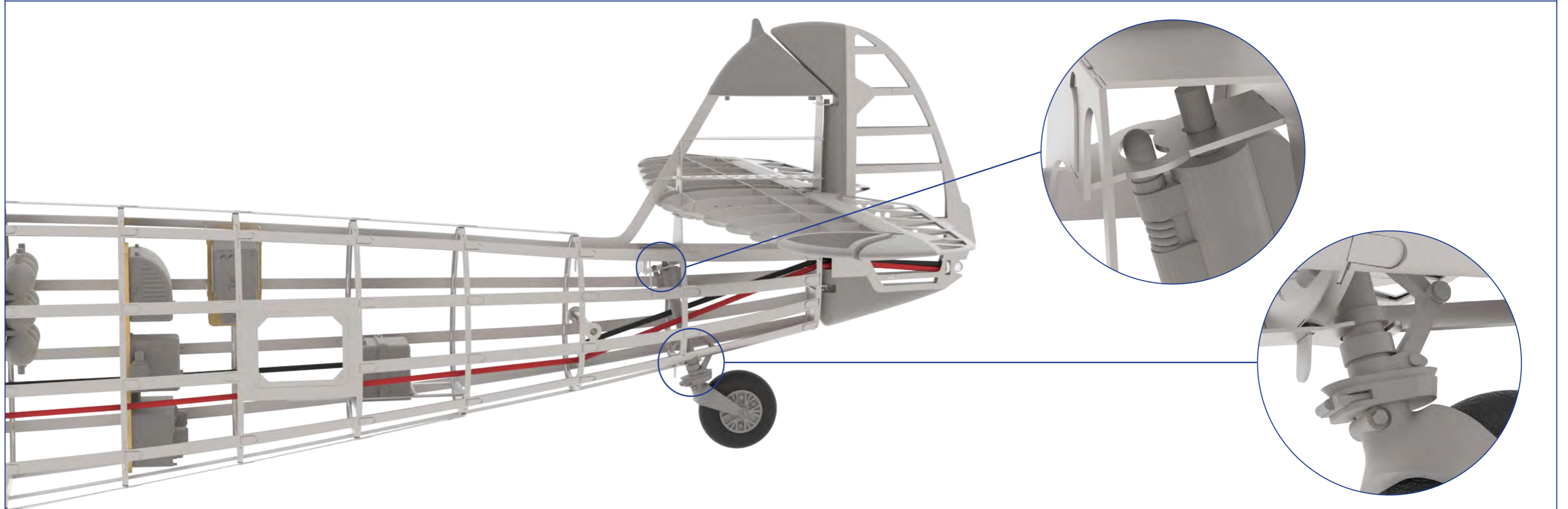
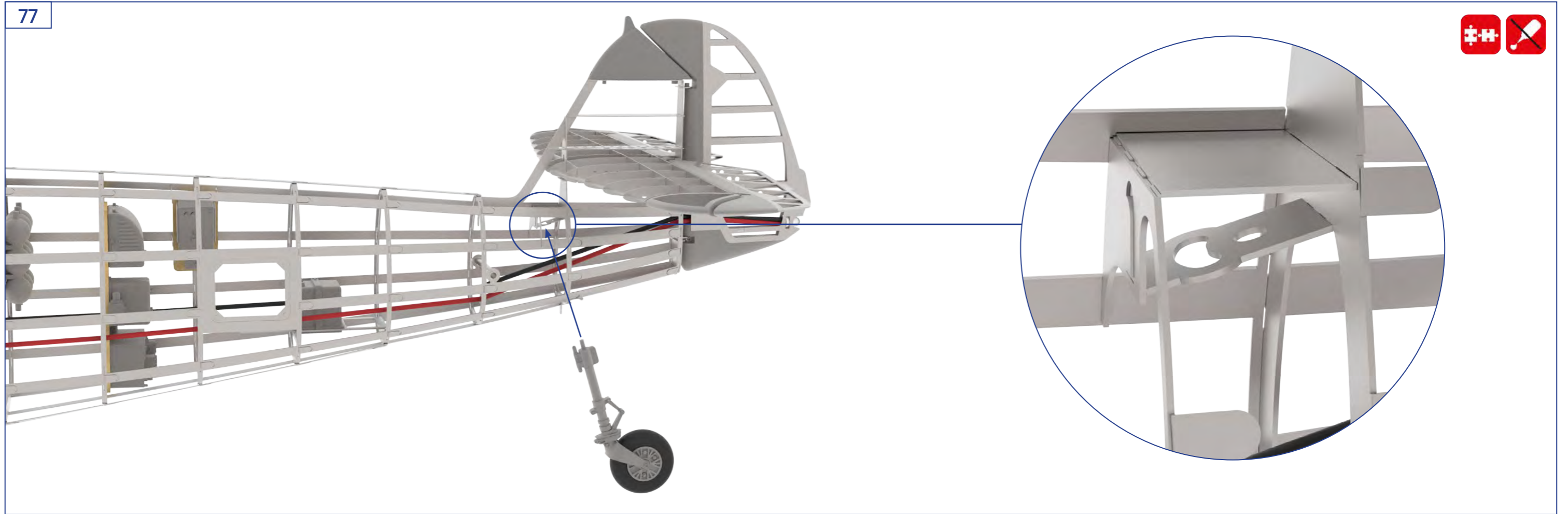
75

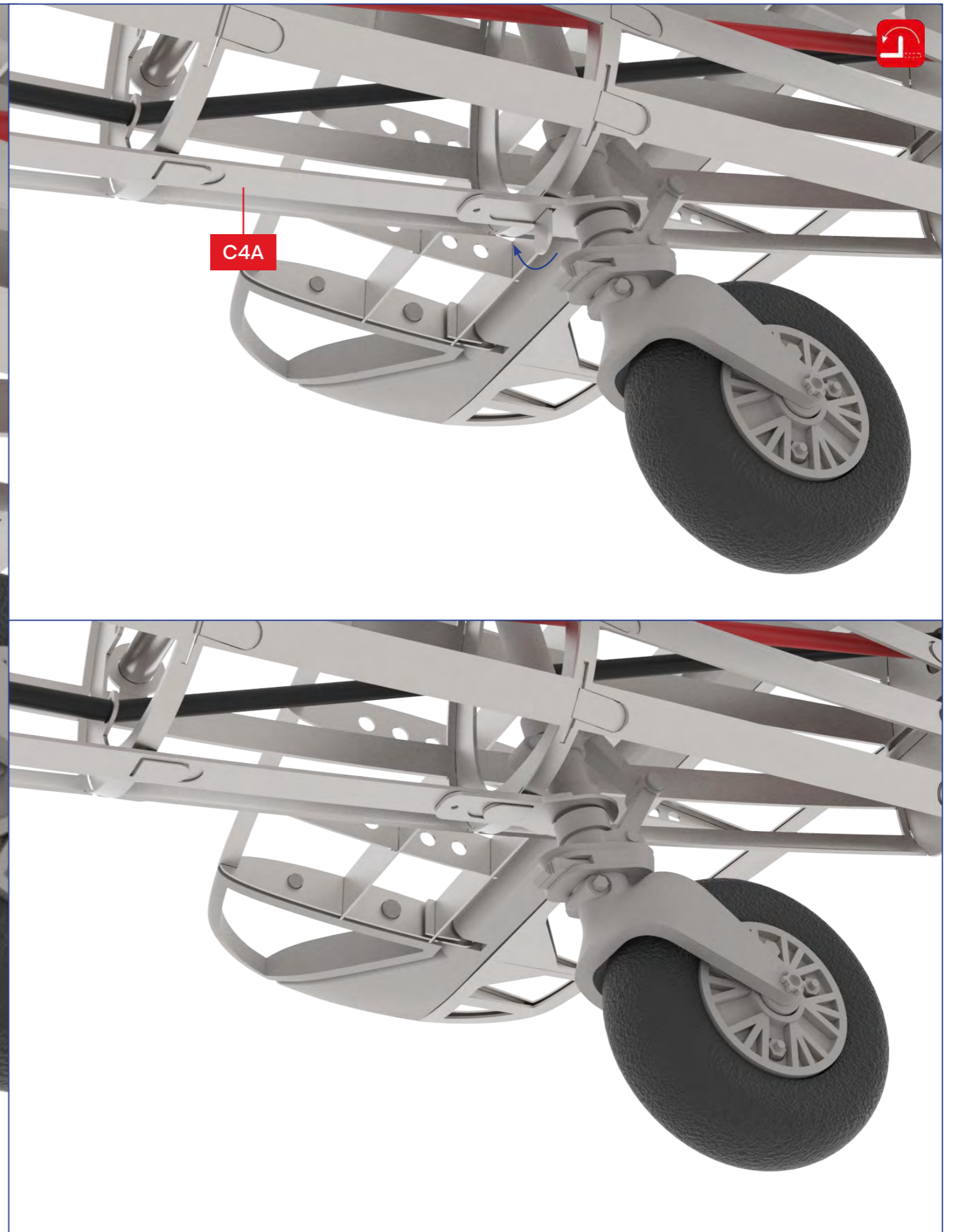
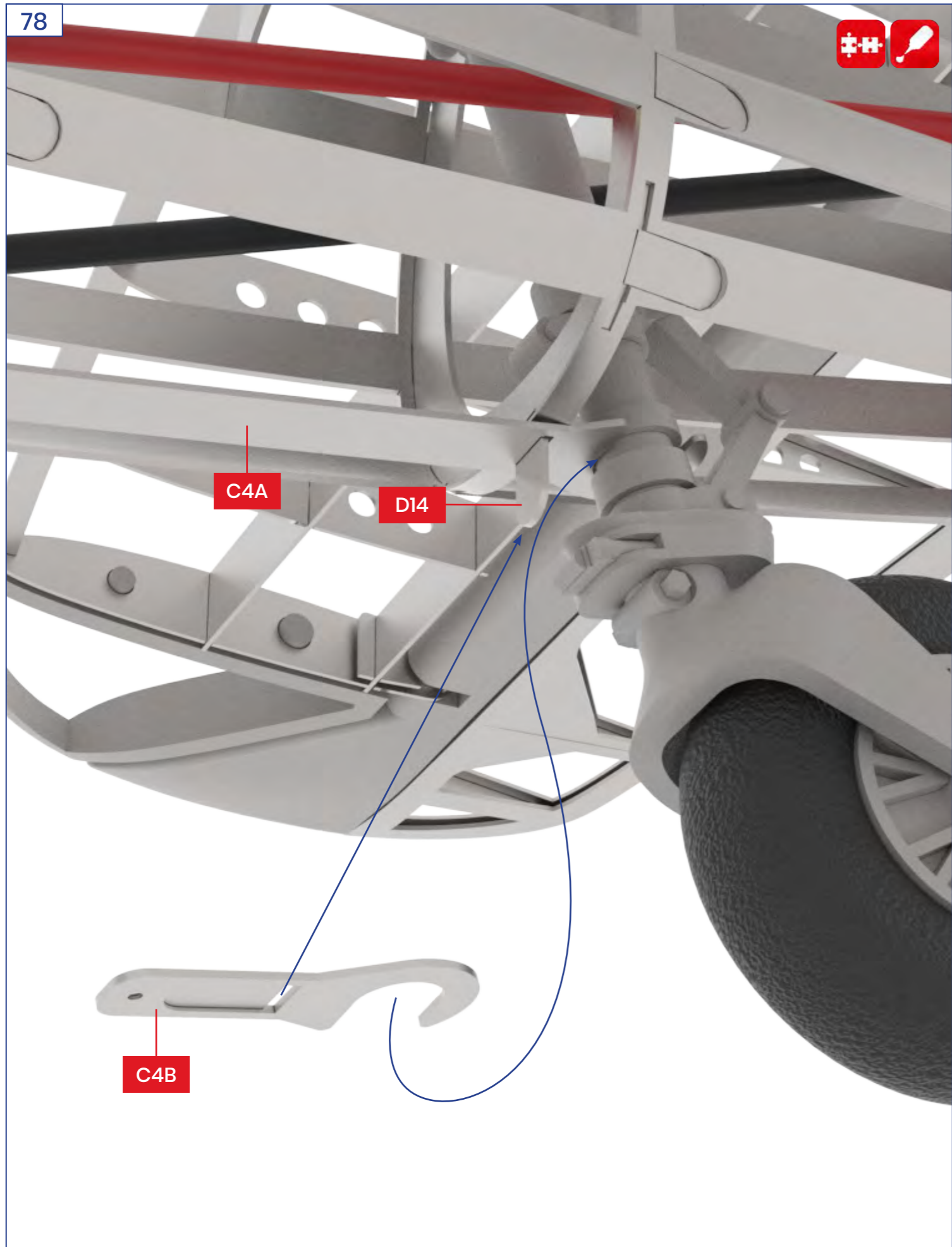


76

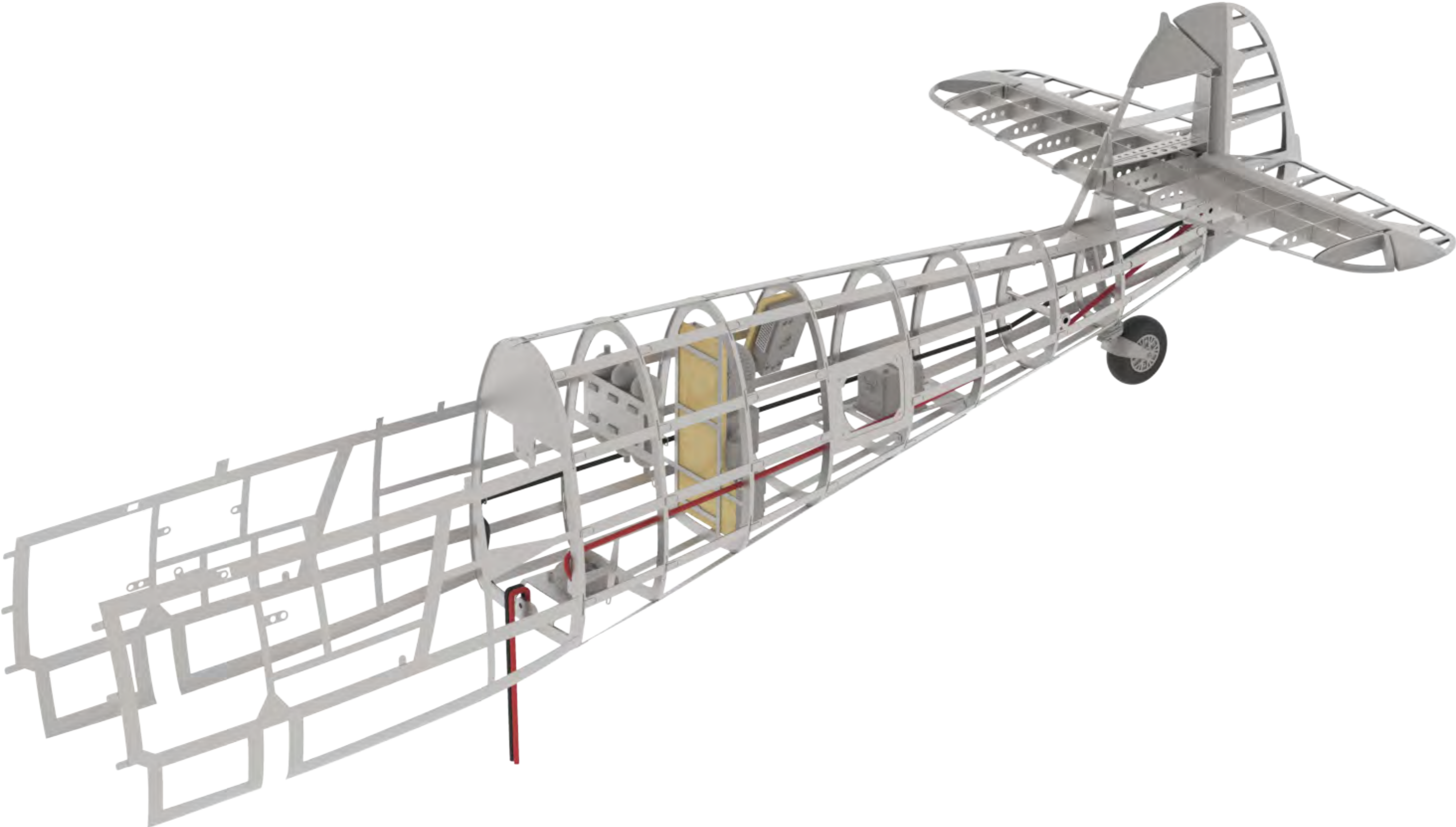


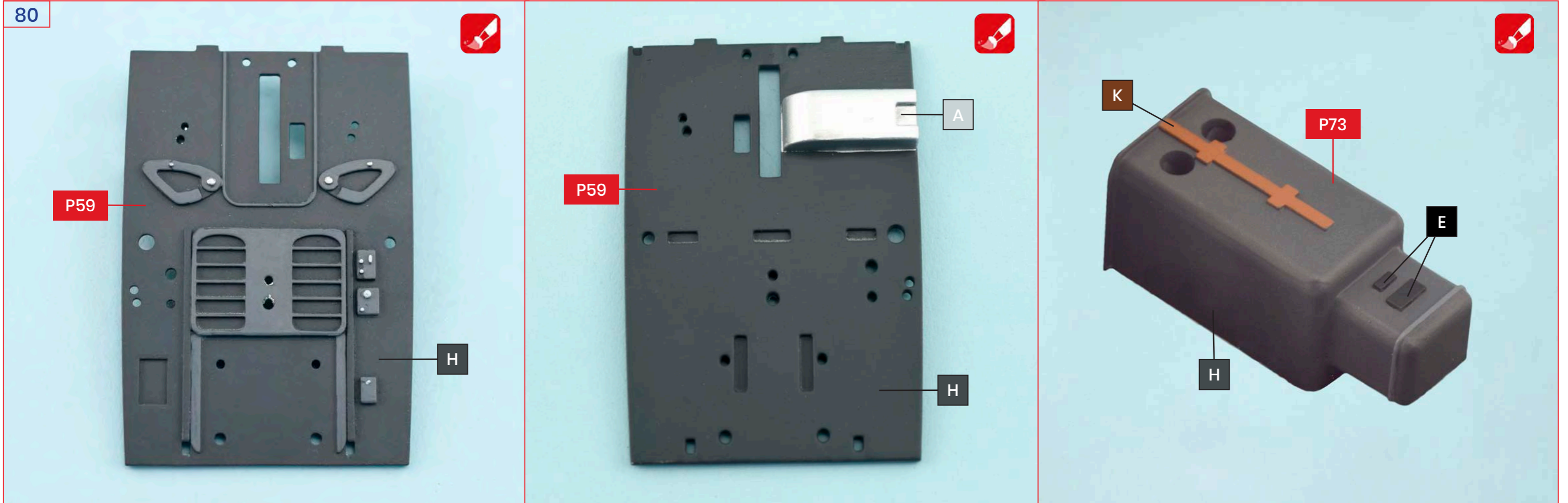
77



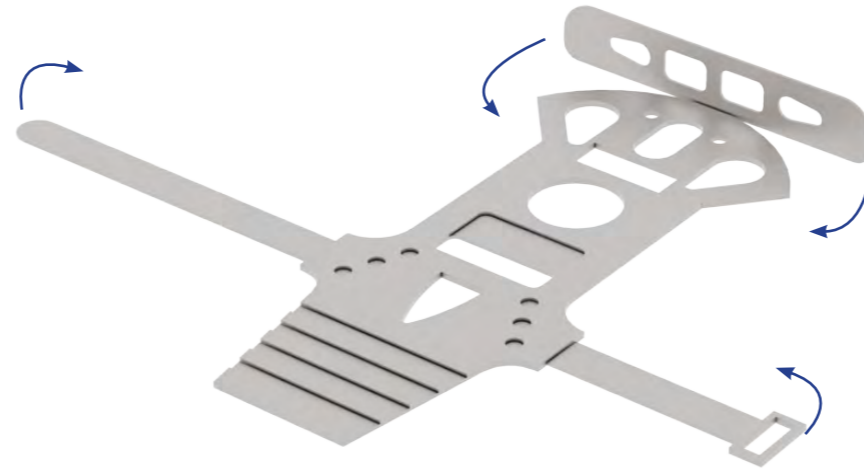
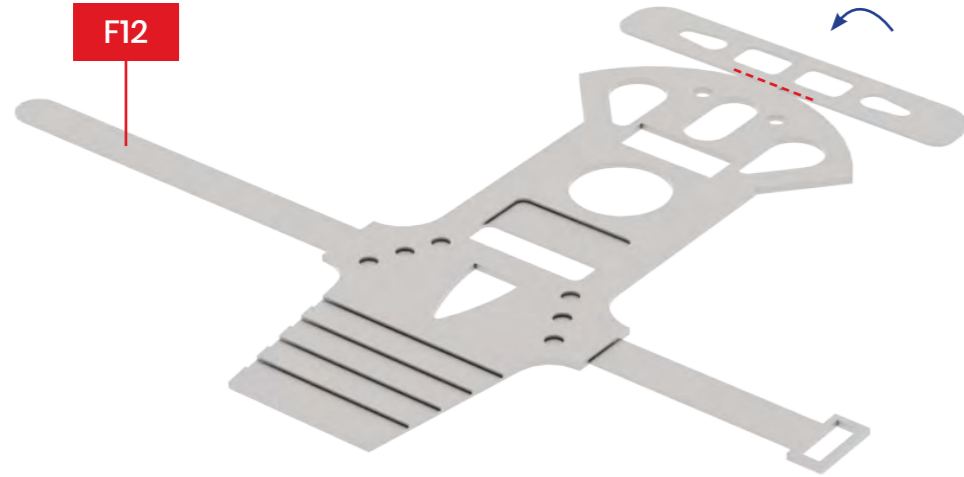


79

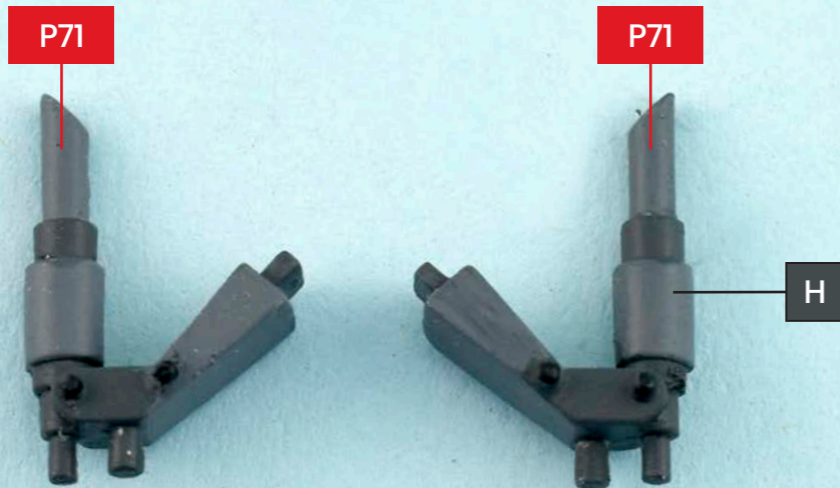




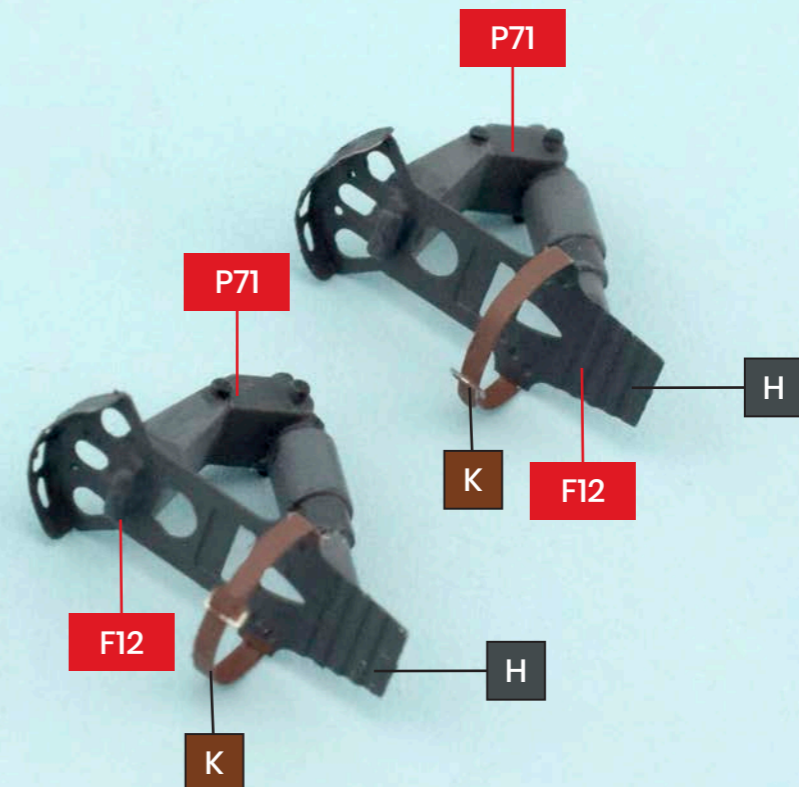
82



83



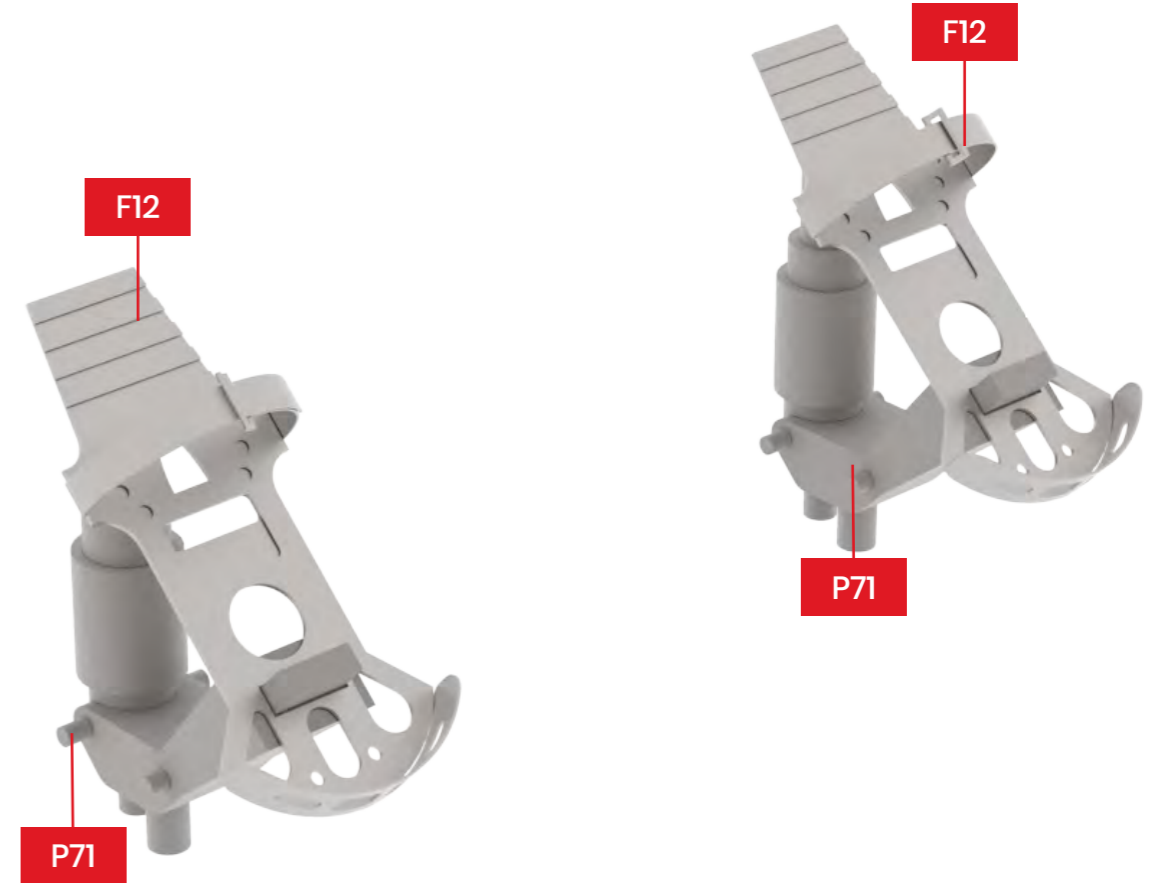
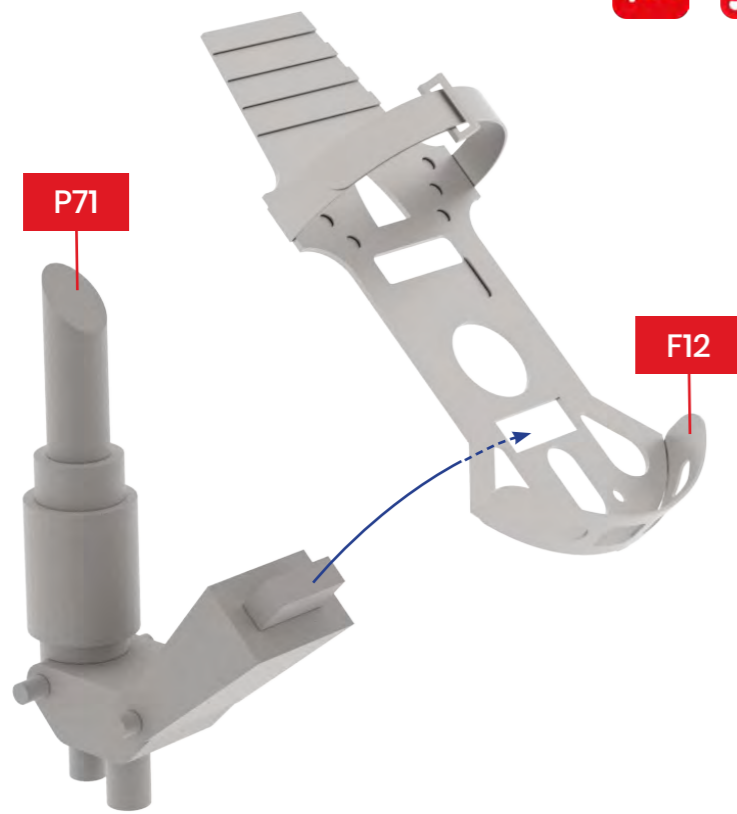
84



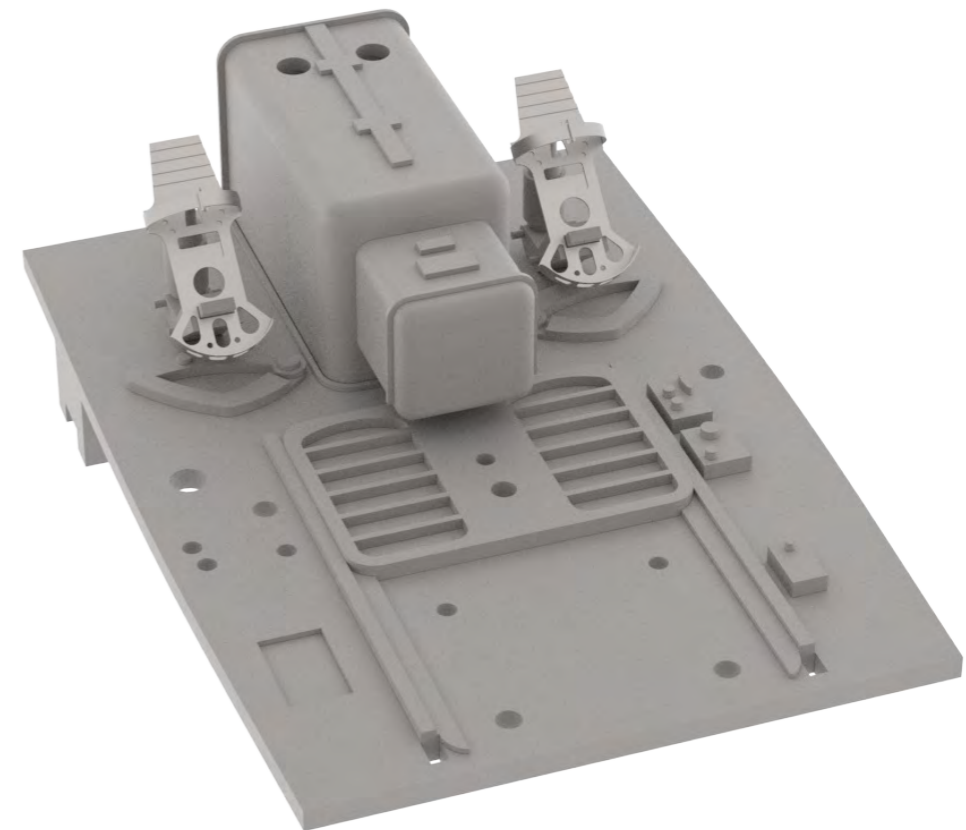
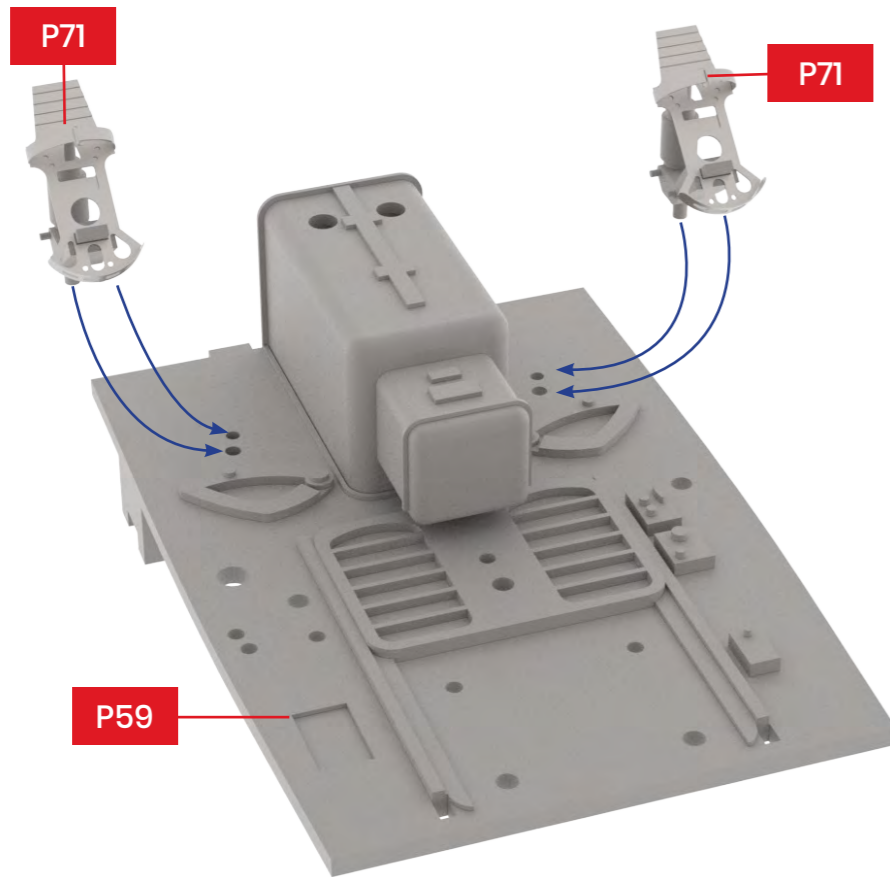
85



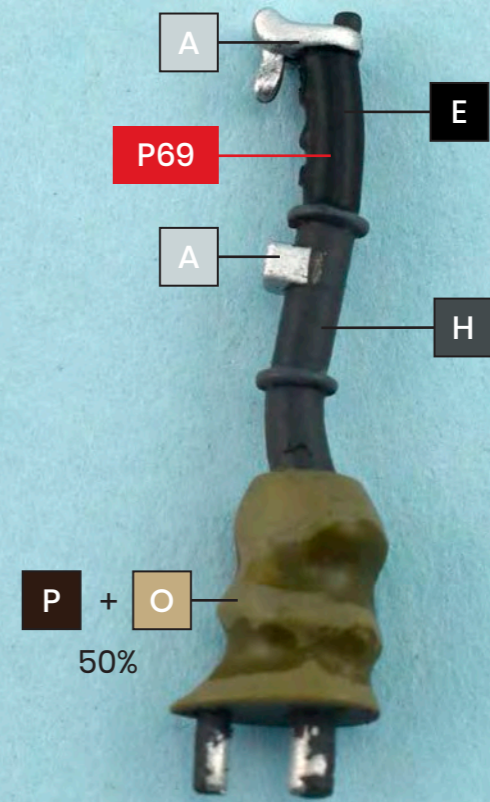
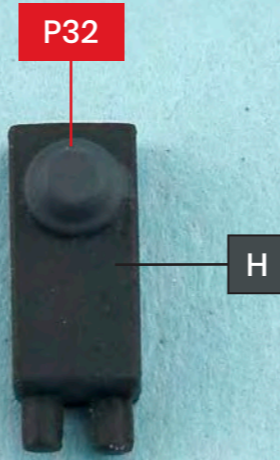
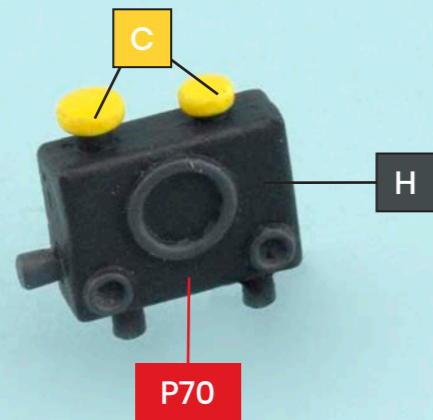
R



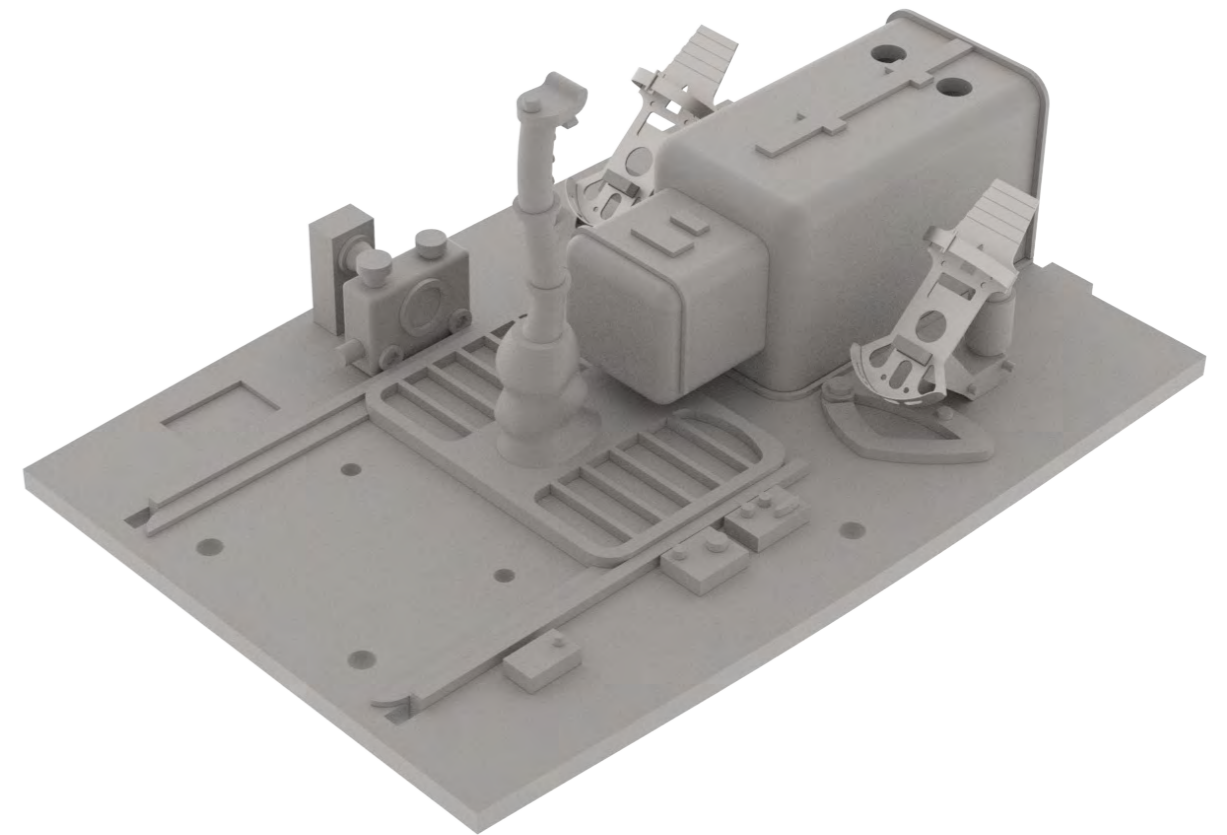
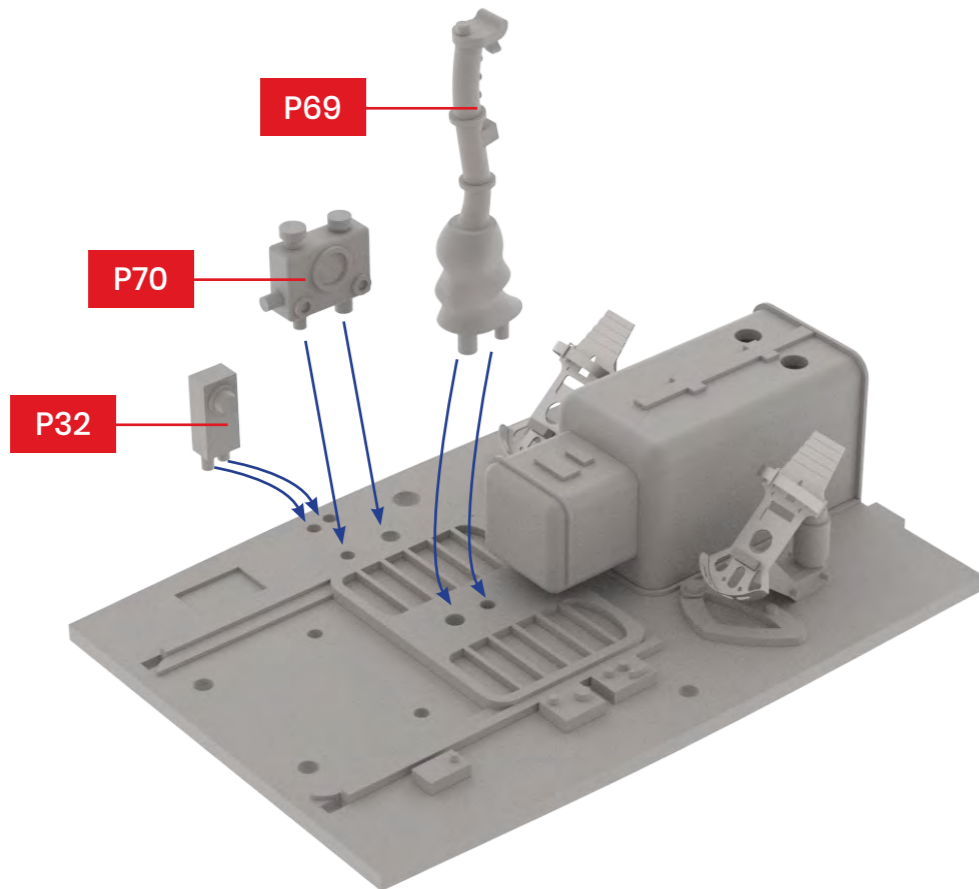
86



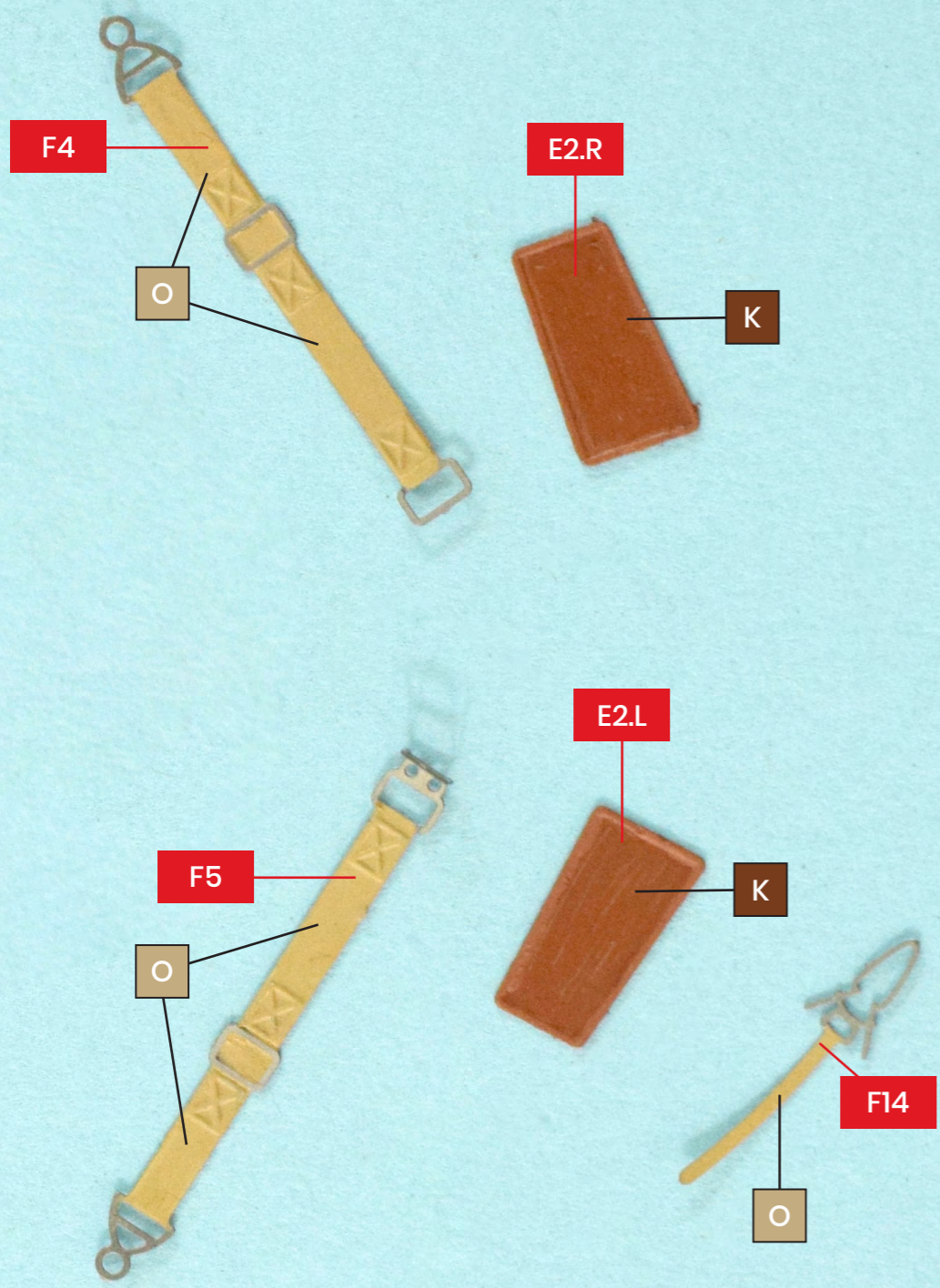
87



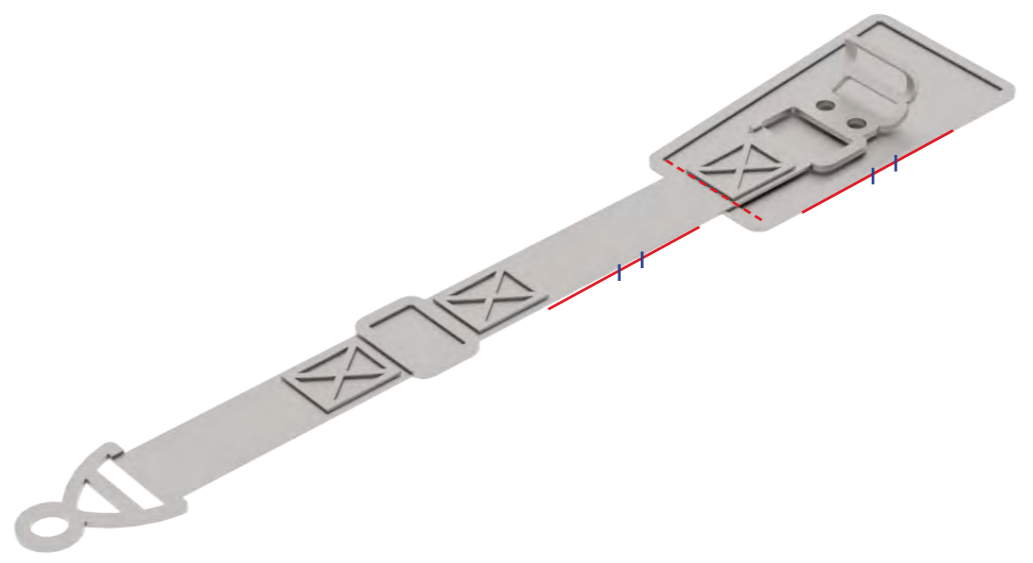
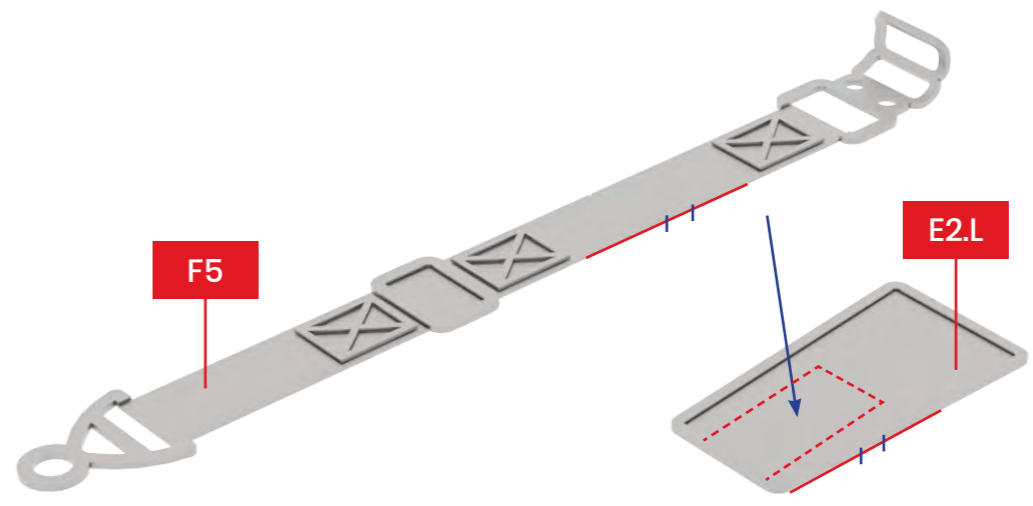
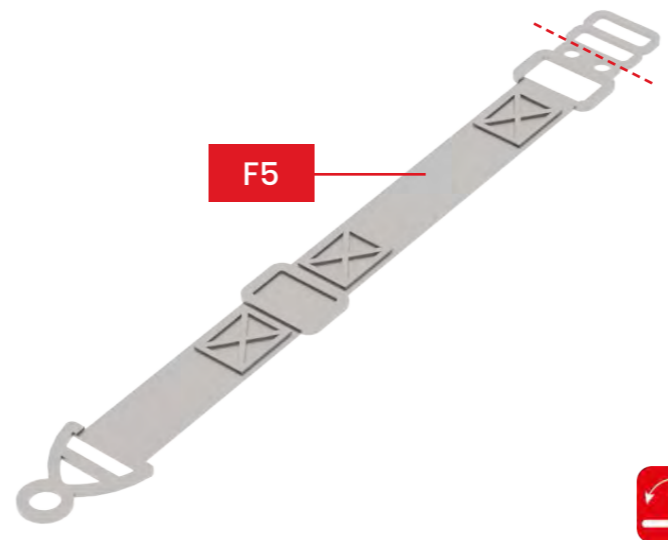
88



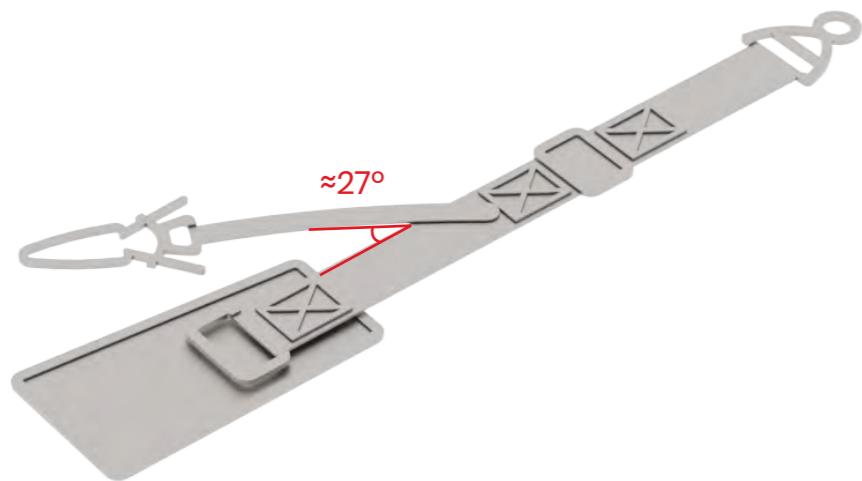
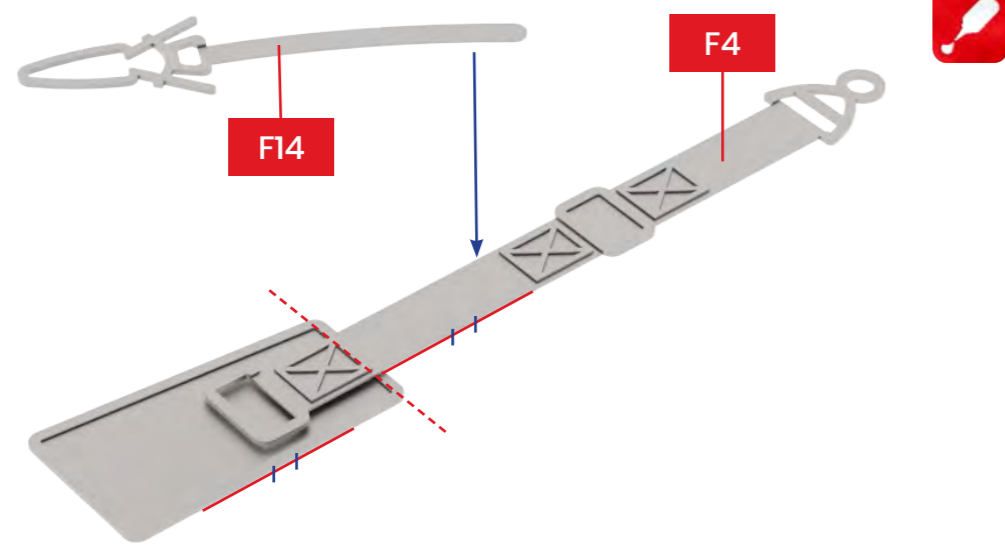
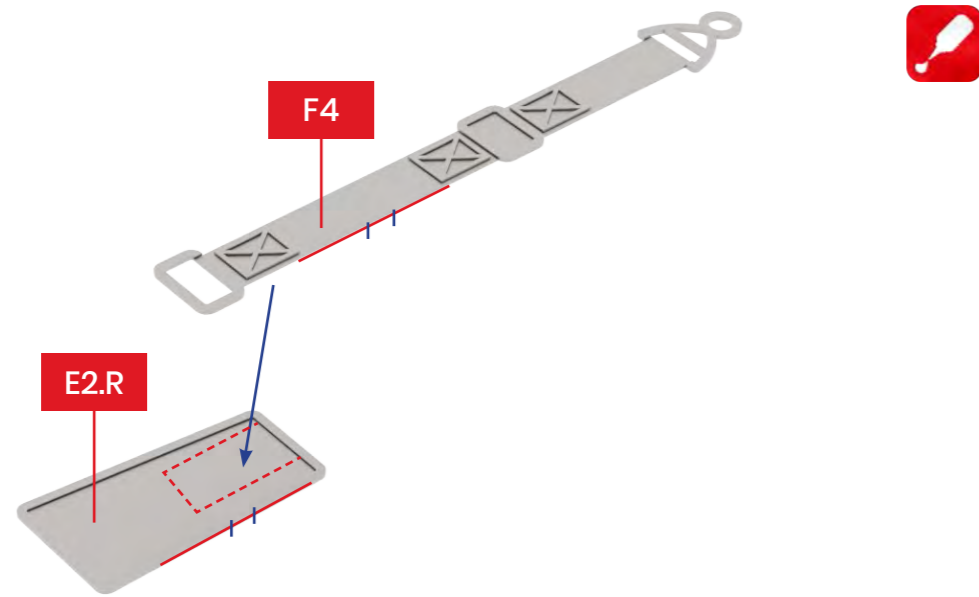
89



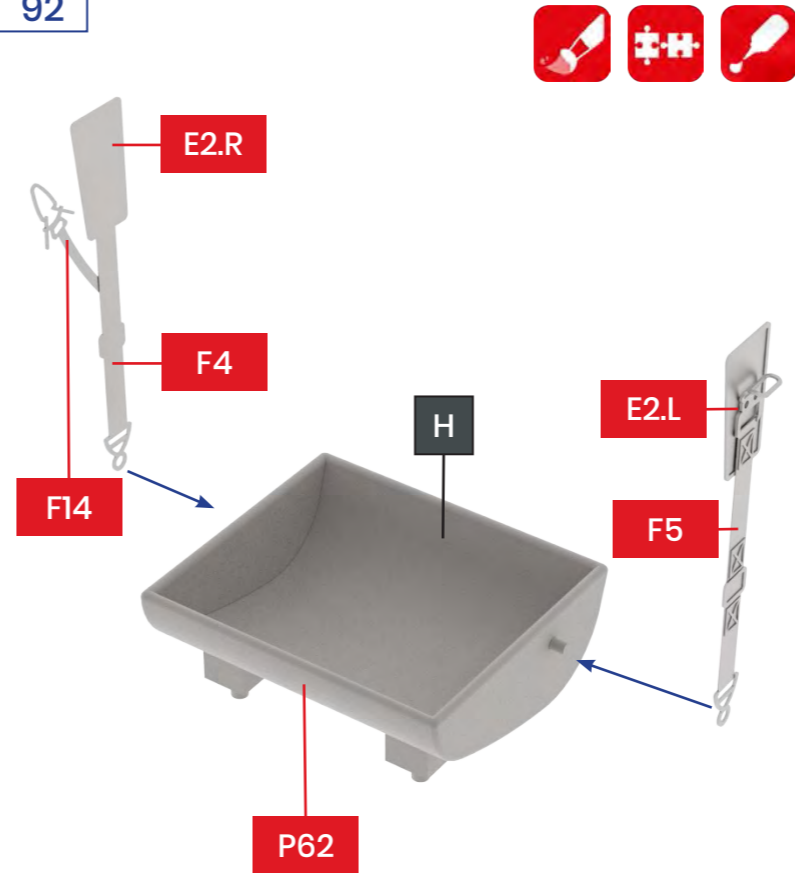
90

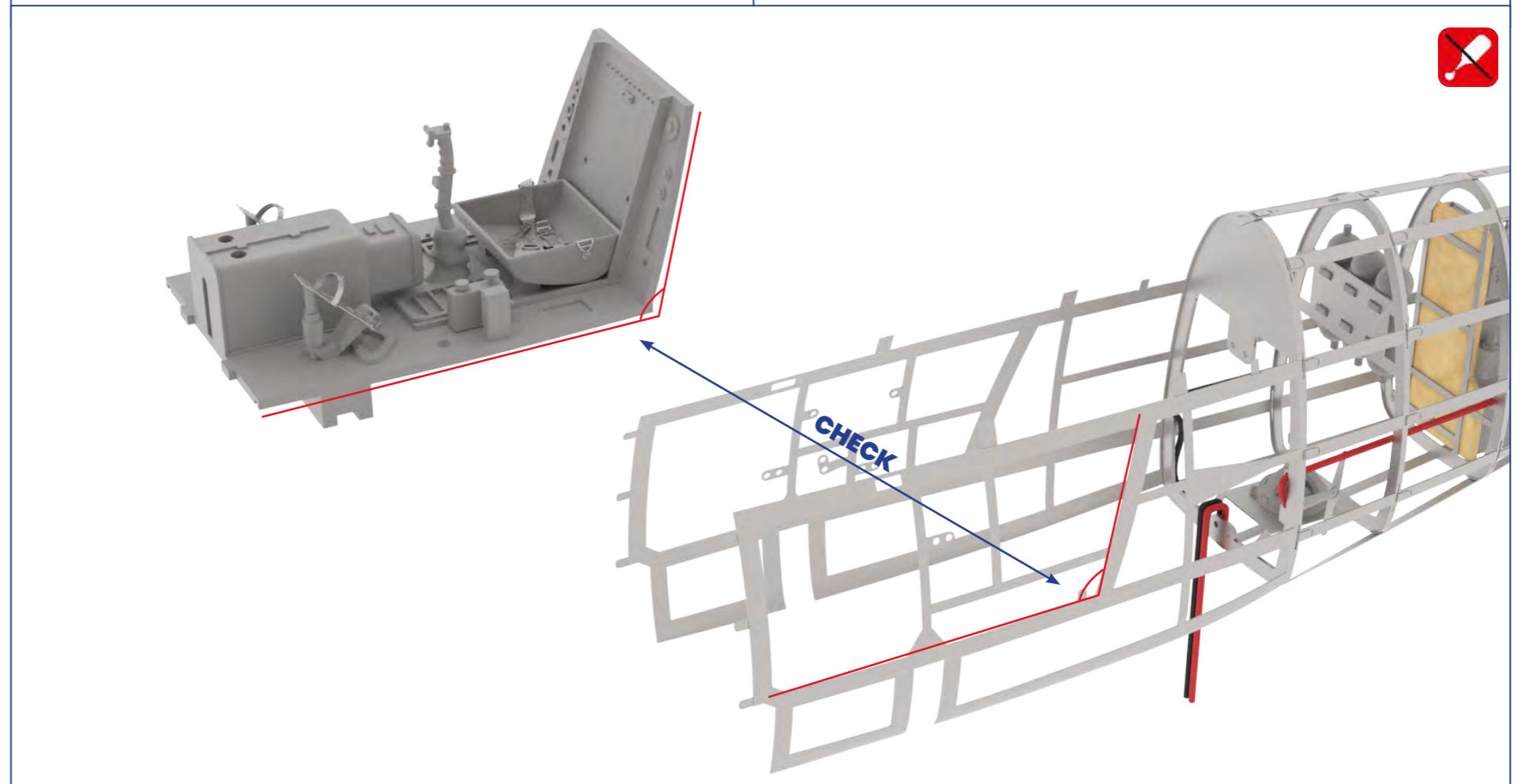
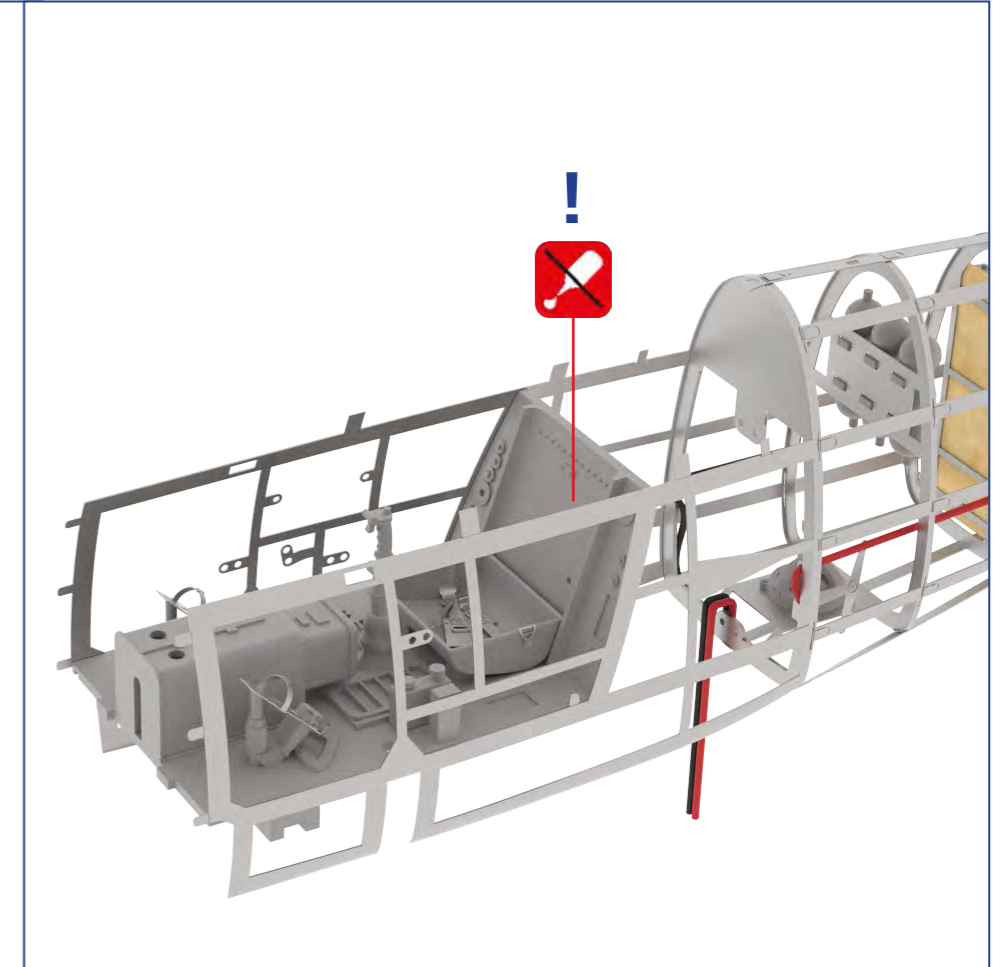
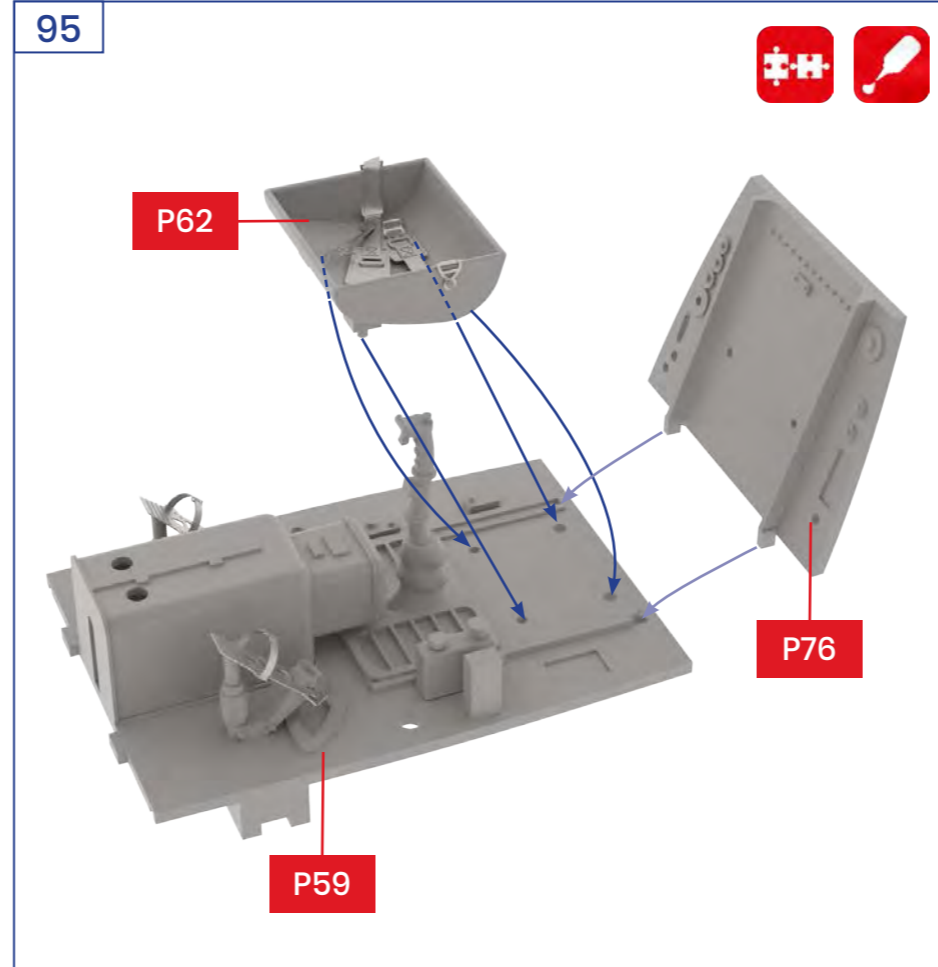
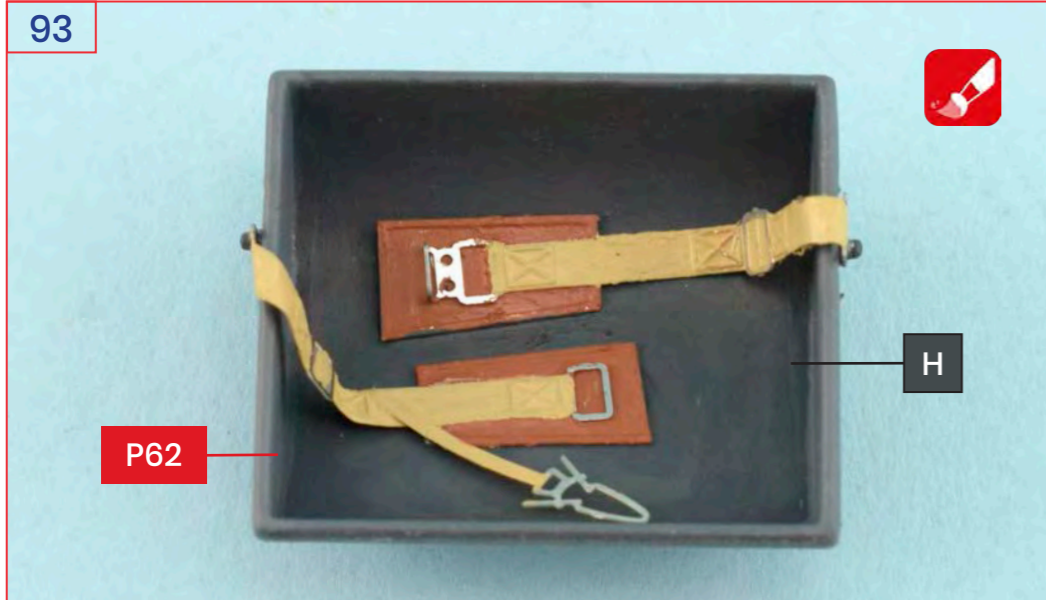


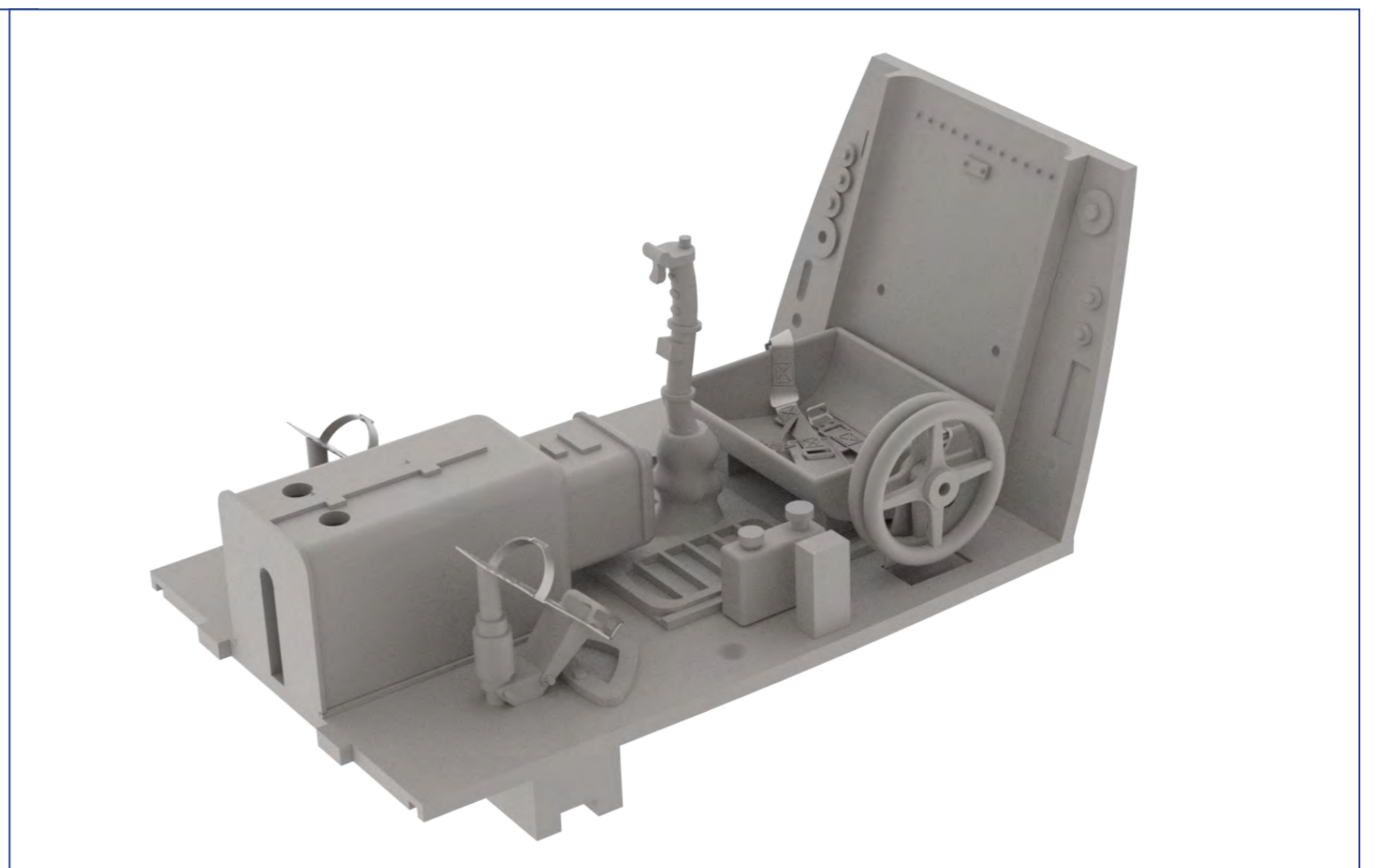
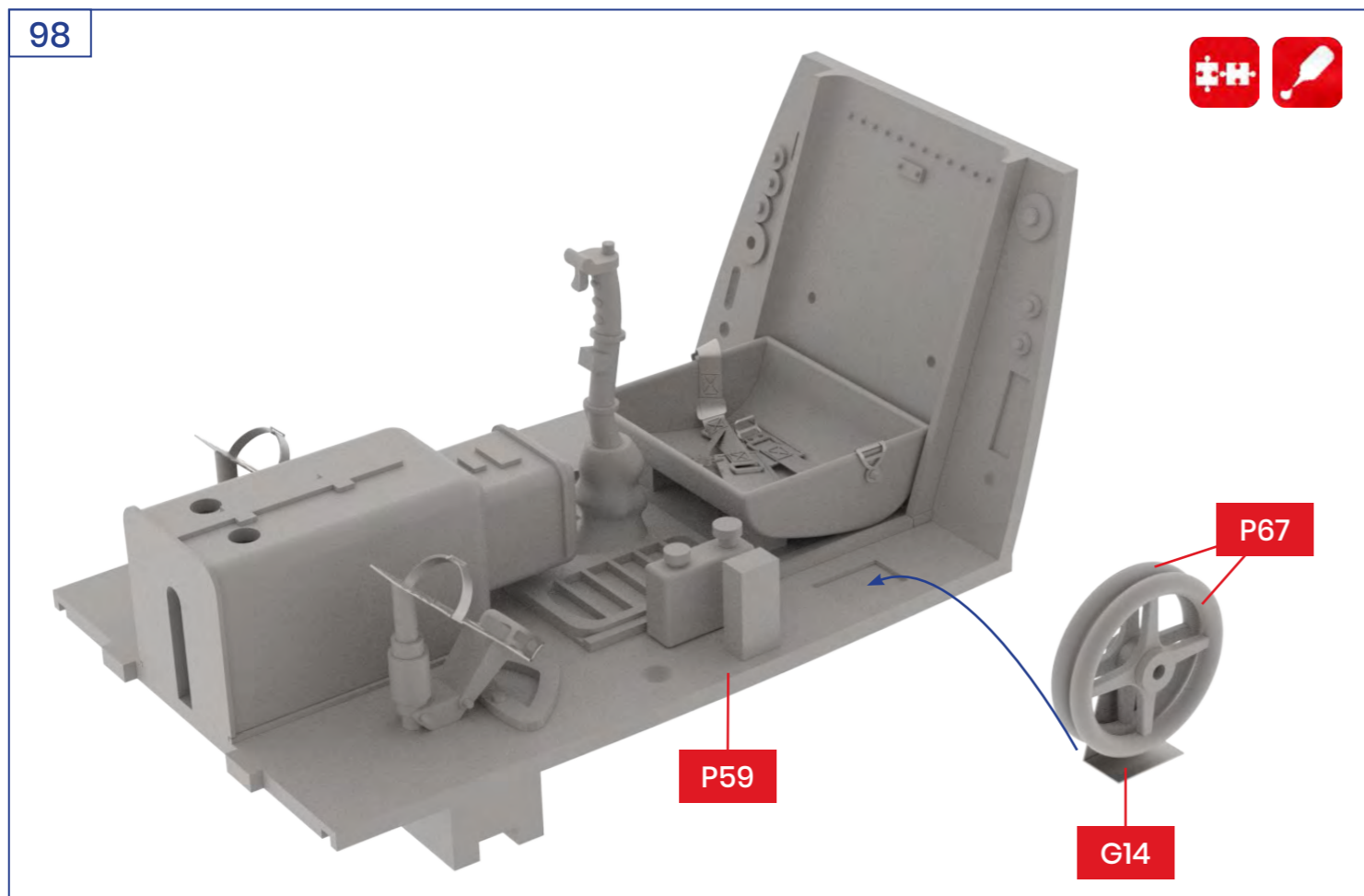
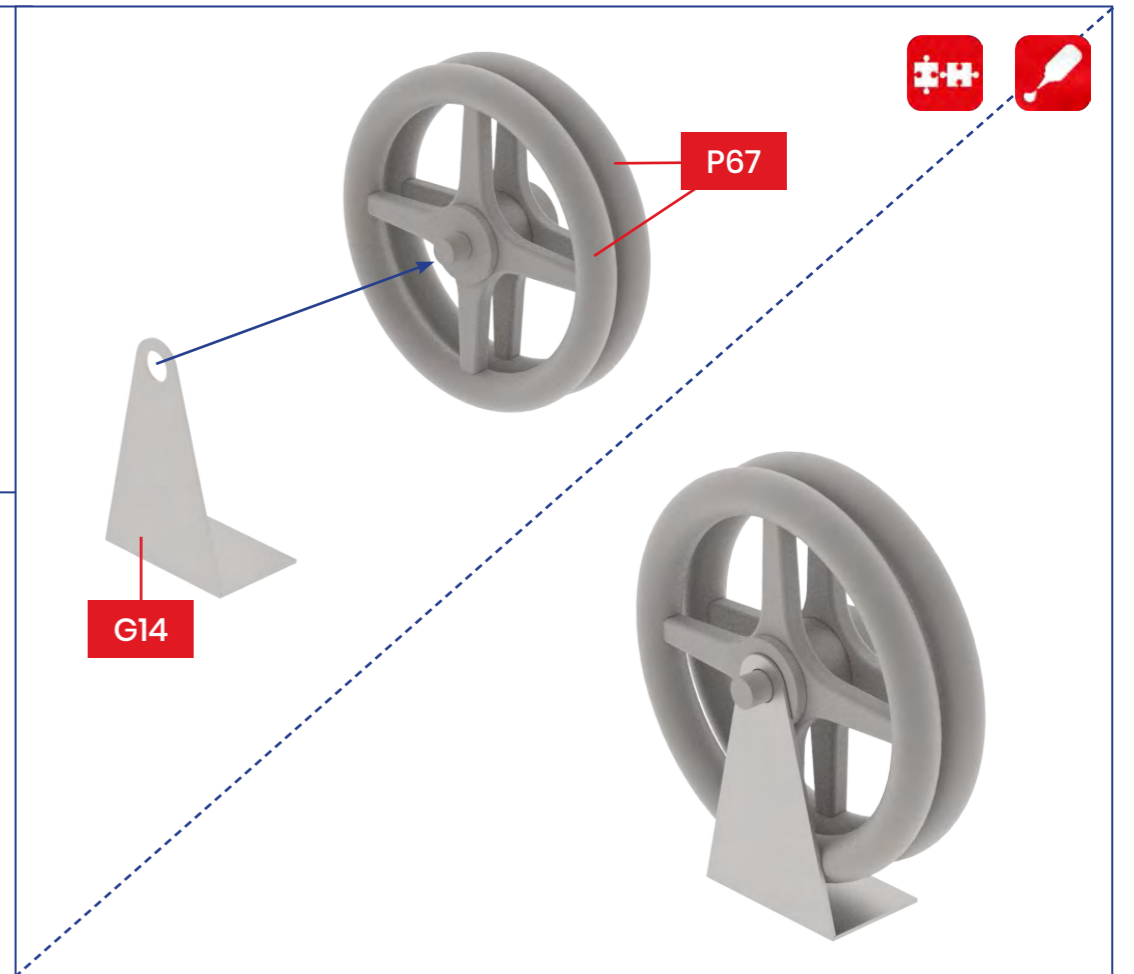
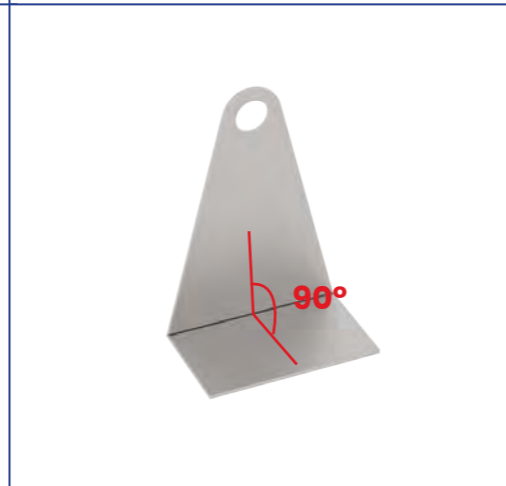
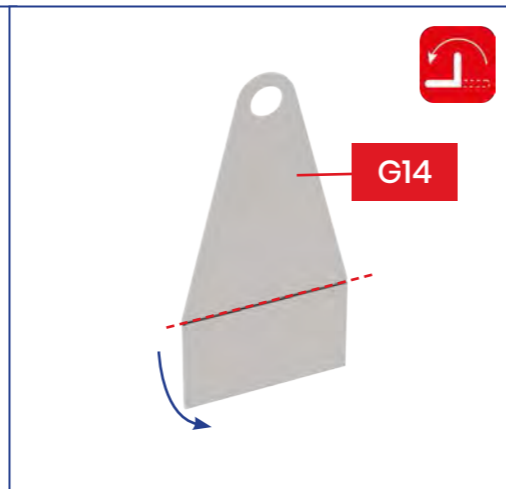
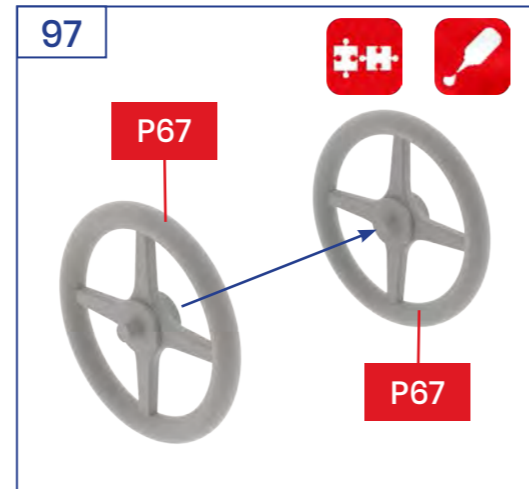
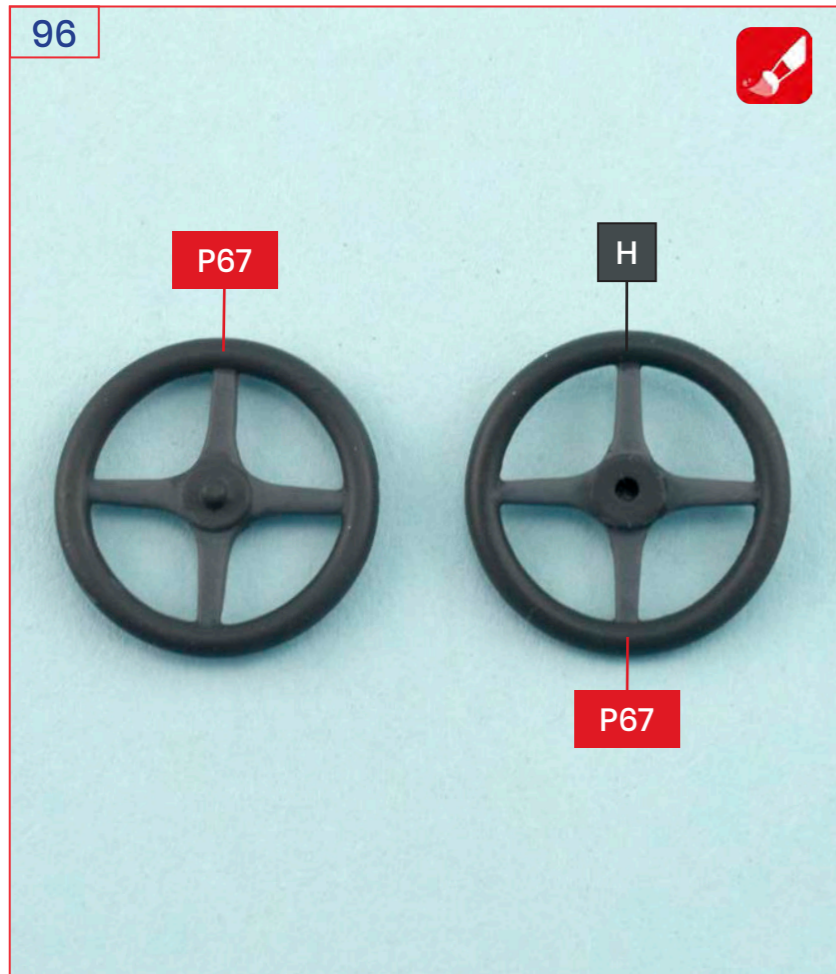
91



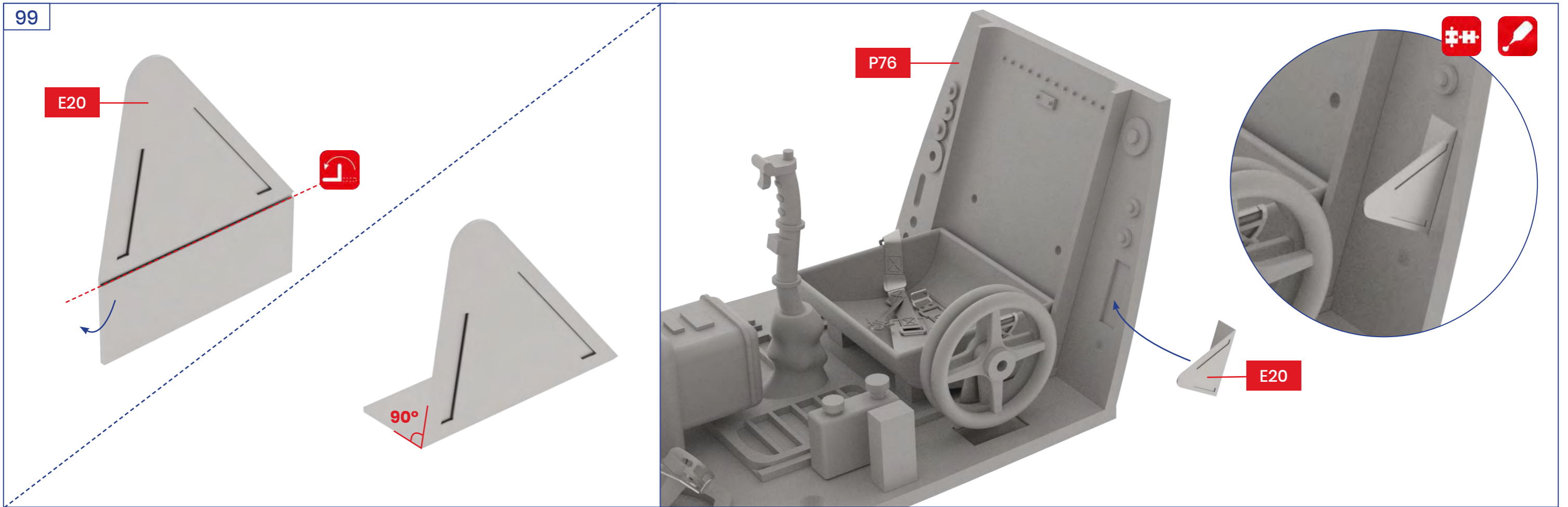
92



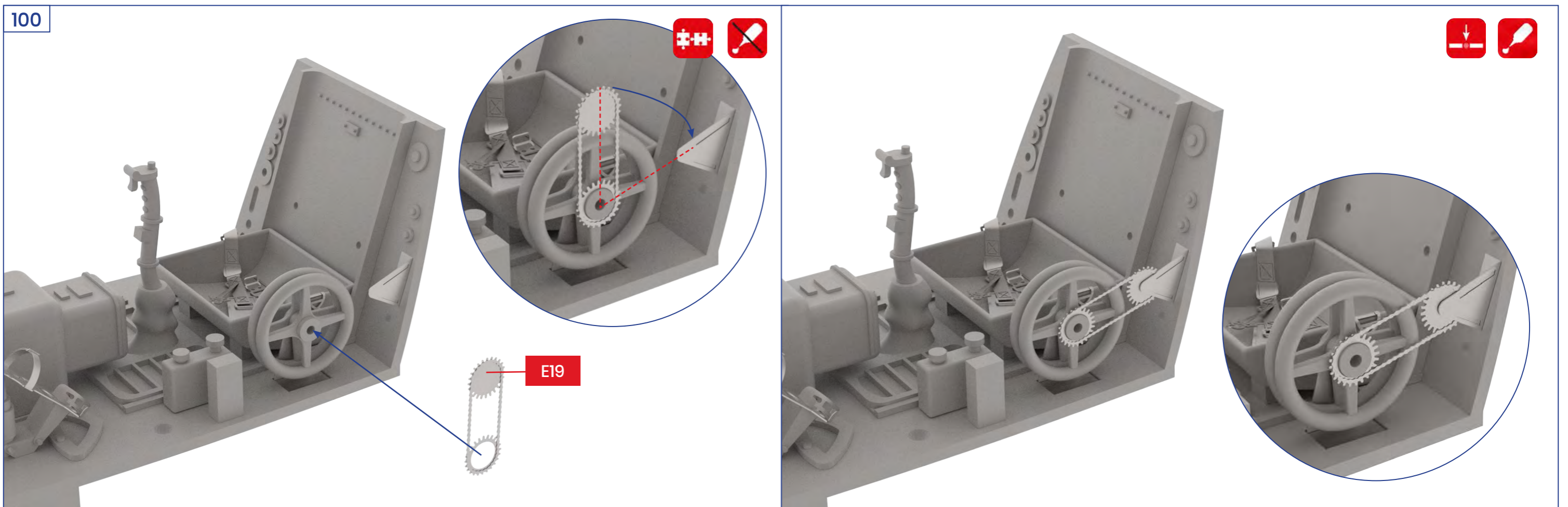




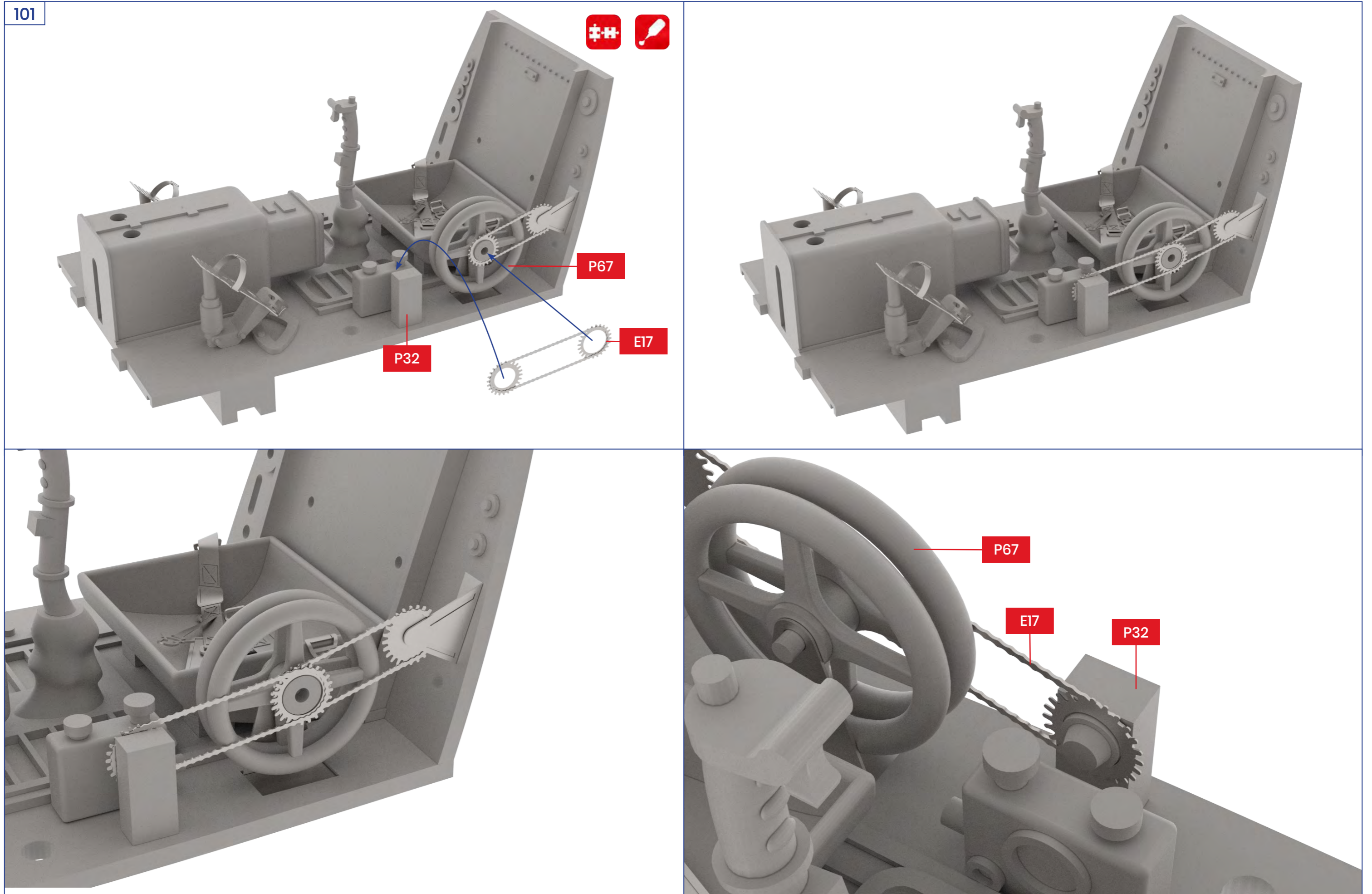
99



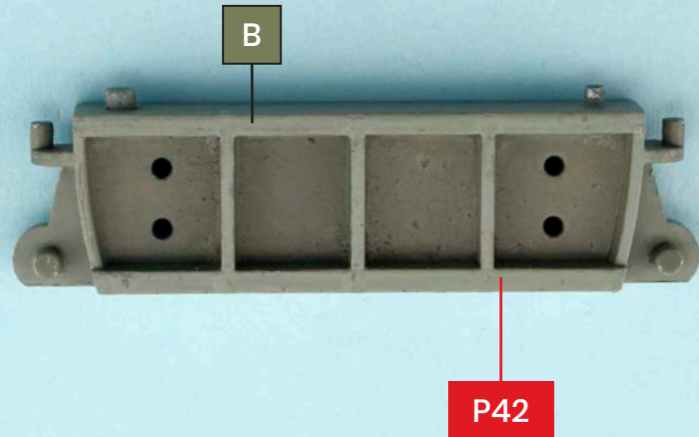
100



101

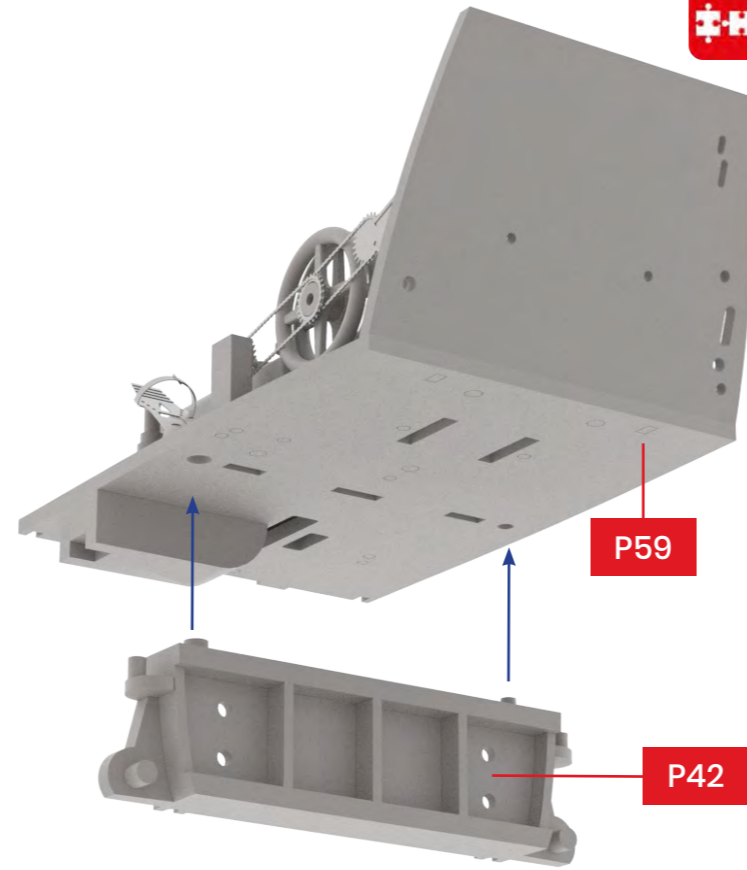


102



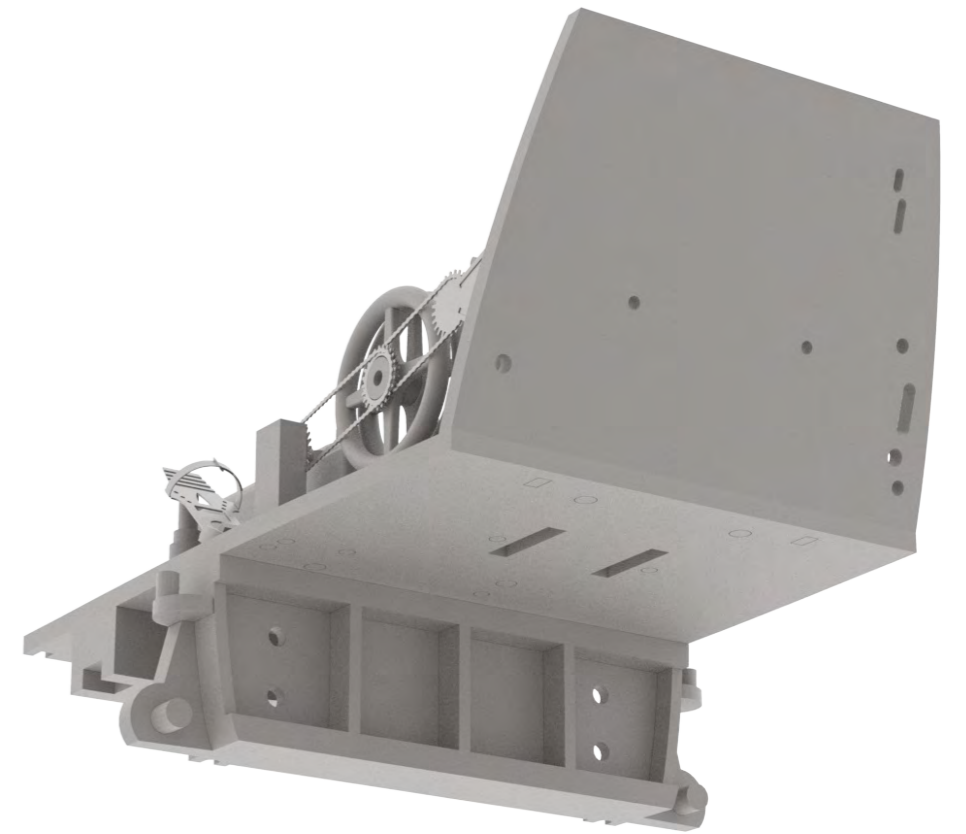
P42

103

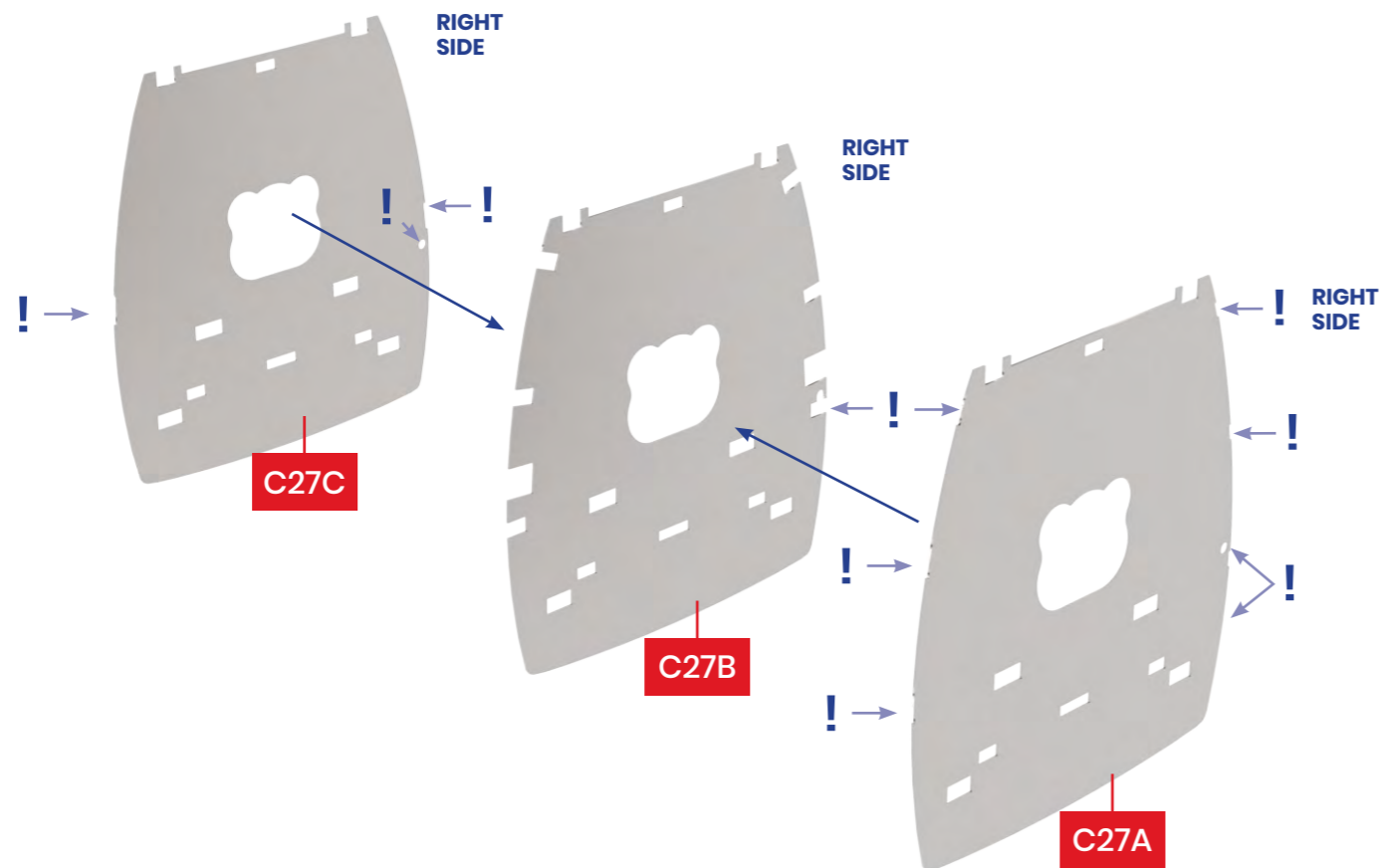


P59

P42



104



C27C

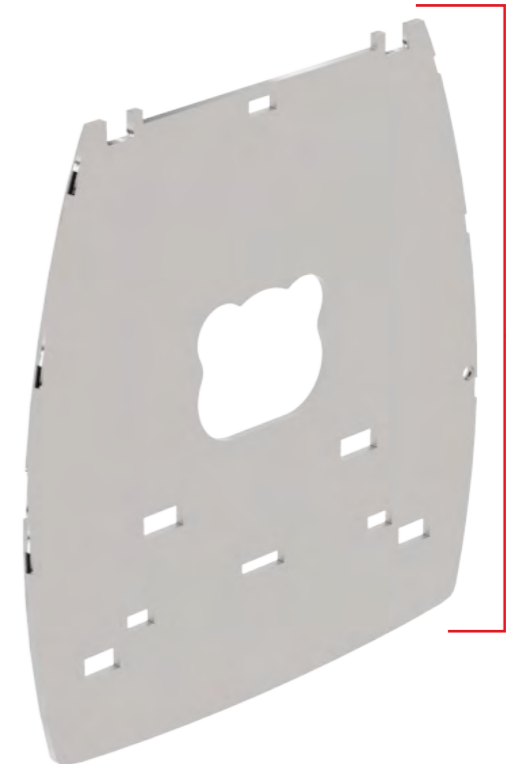
C27B

C27A

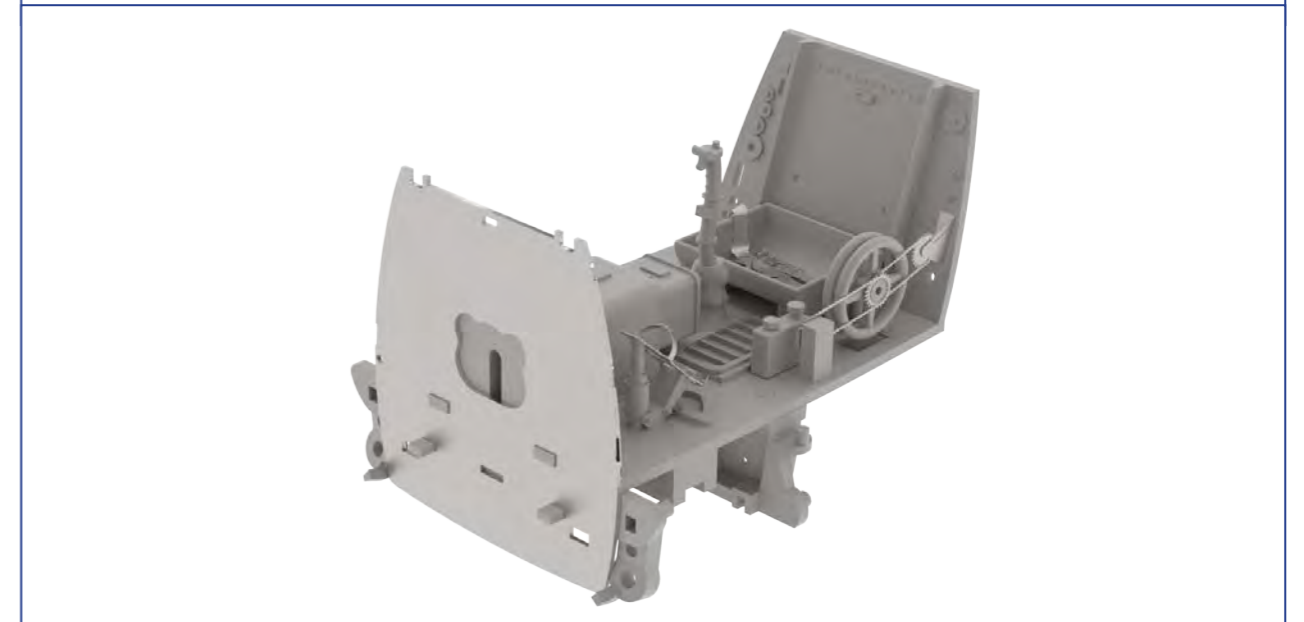
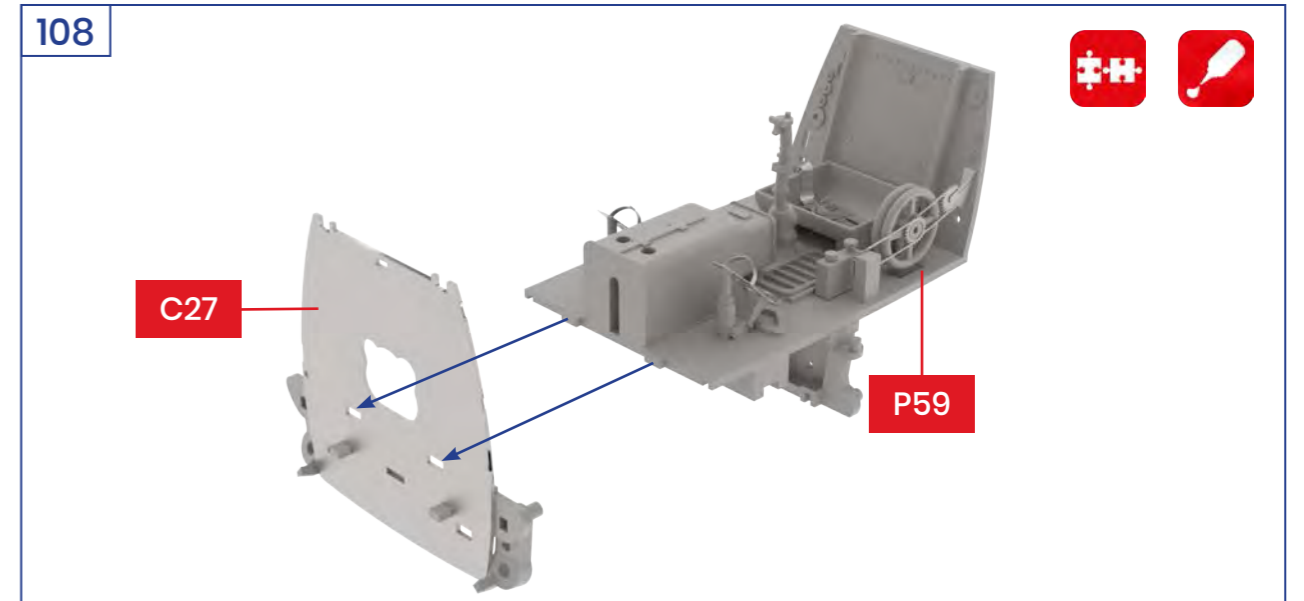
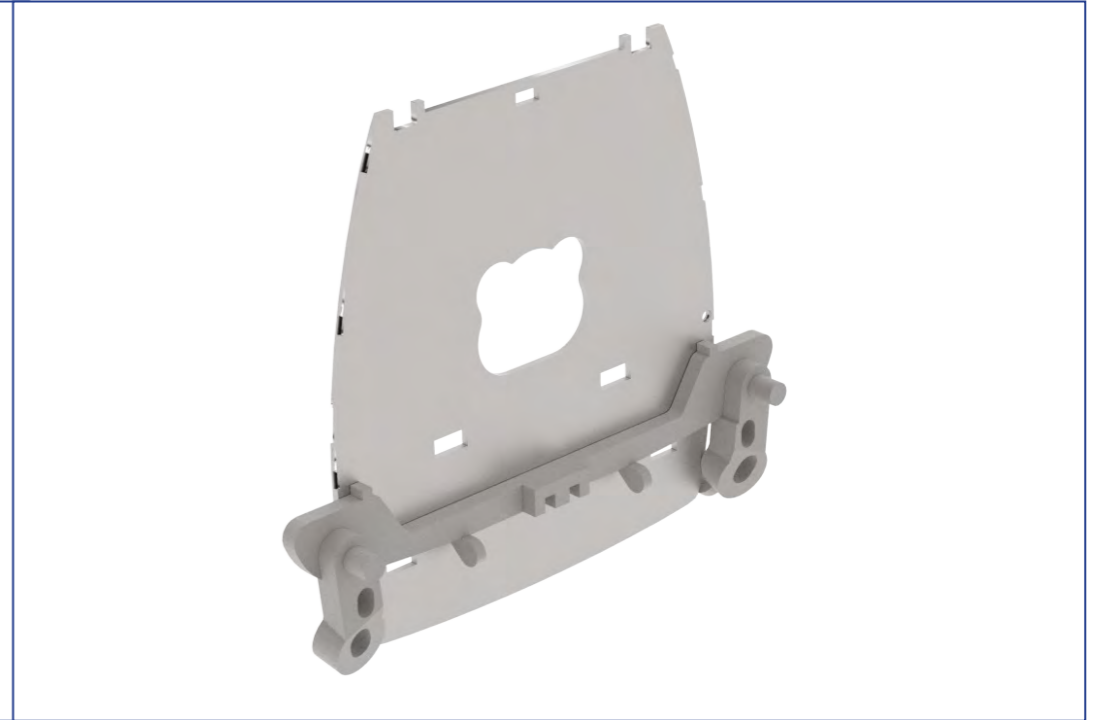
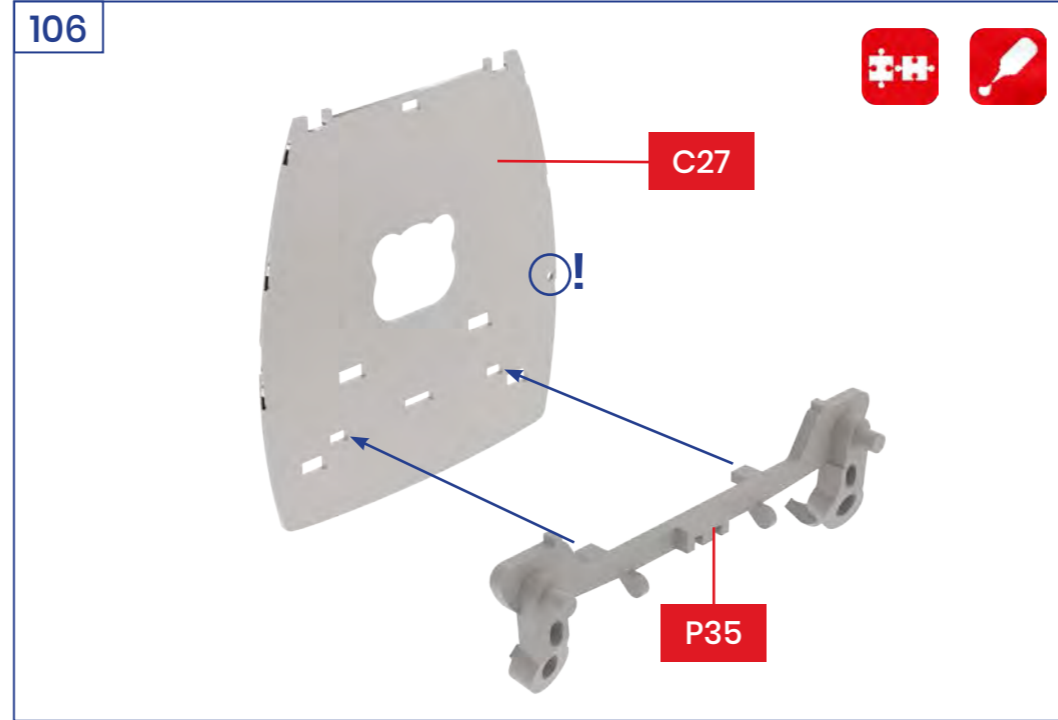
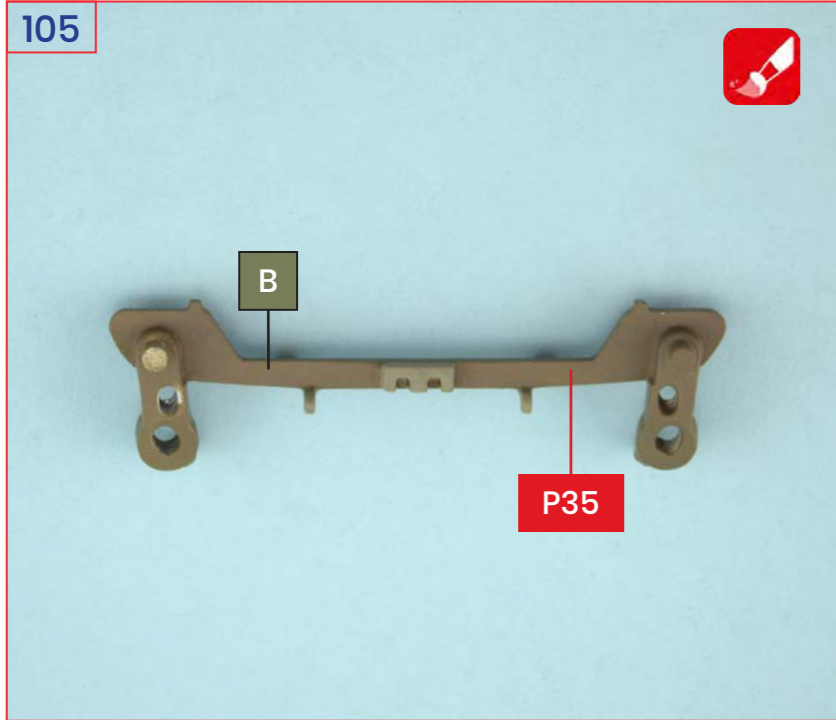
RIGHT SIDE

RIGHT SIDE

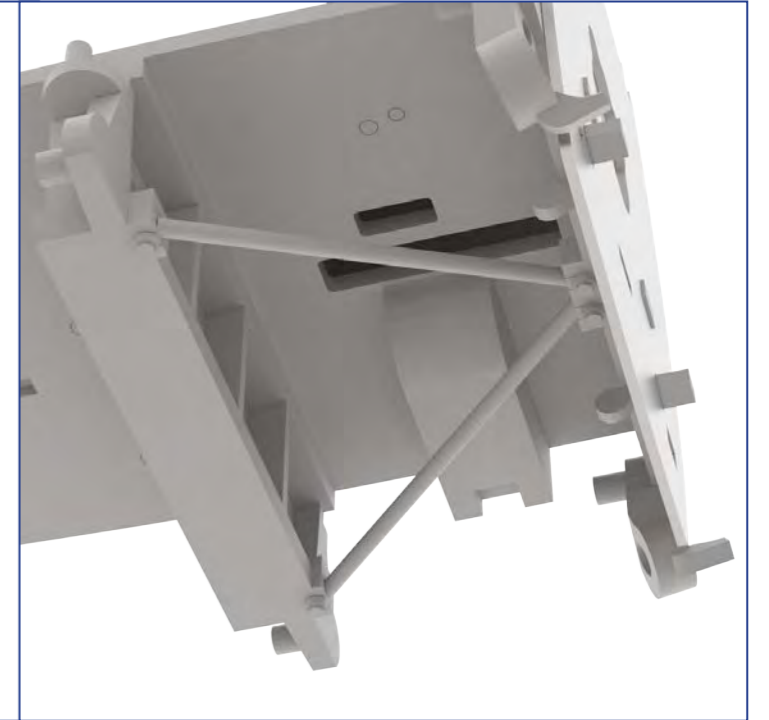
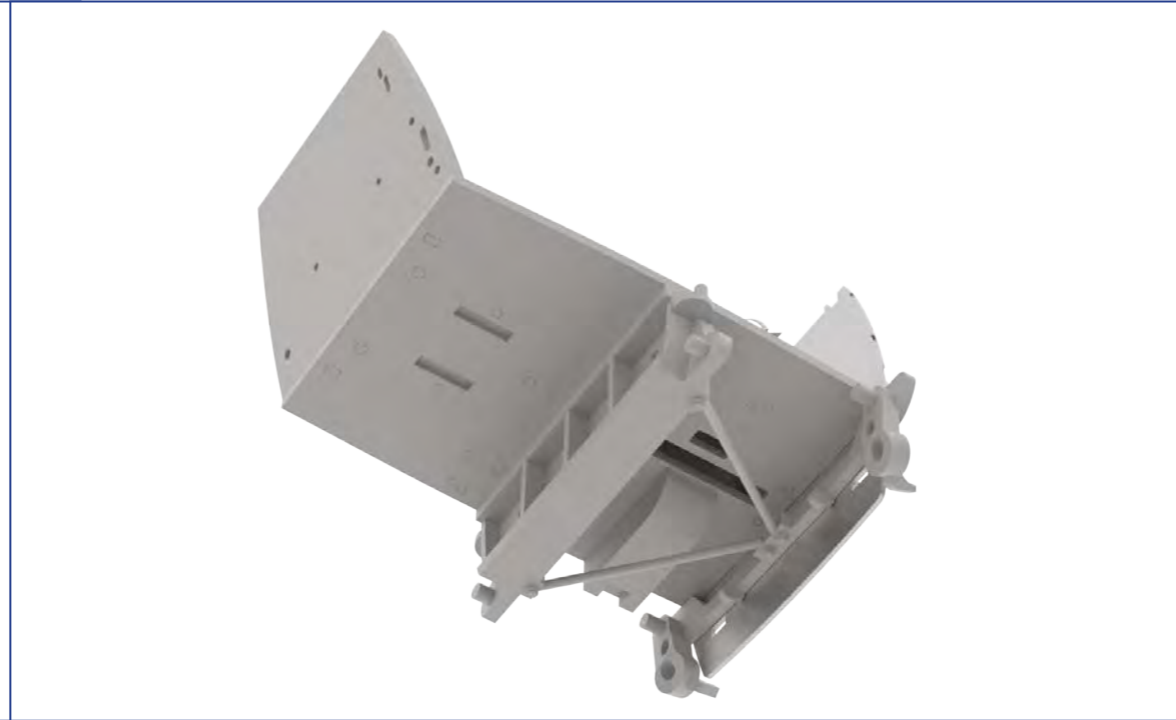
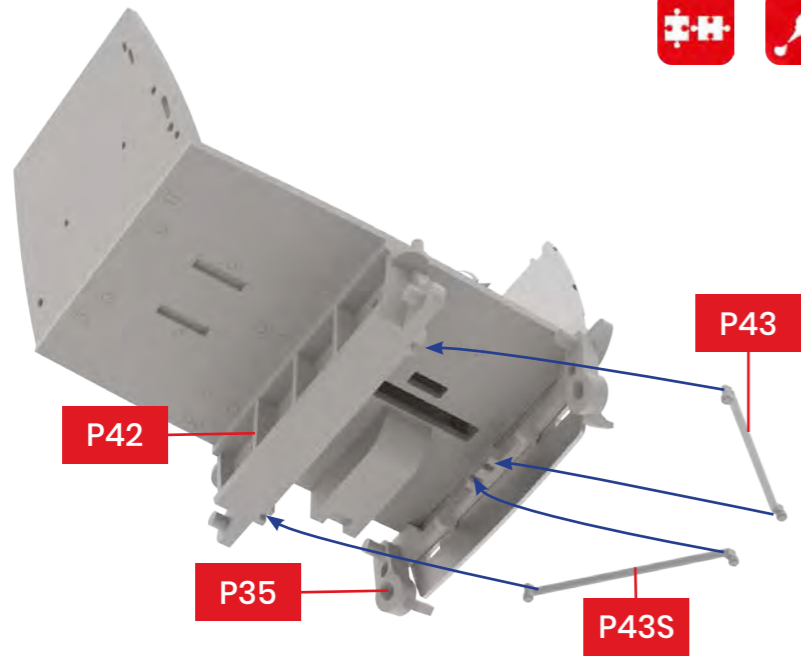
RIGHT SIDE



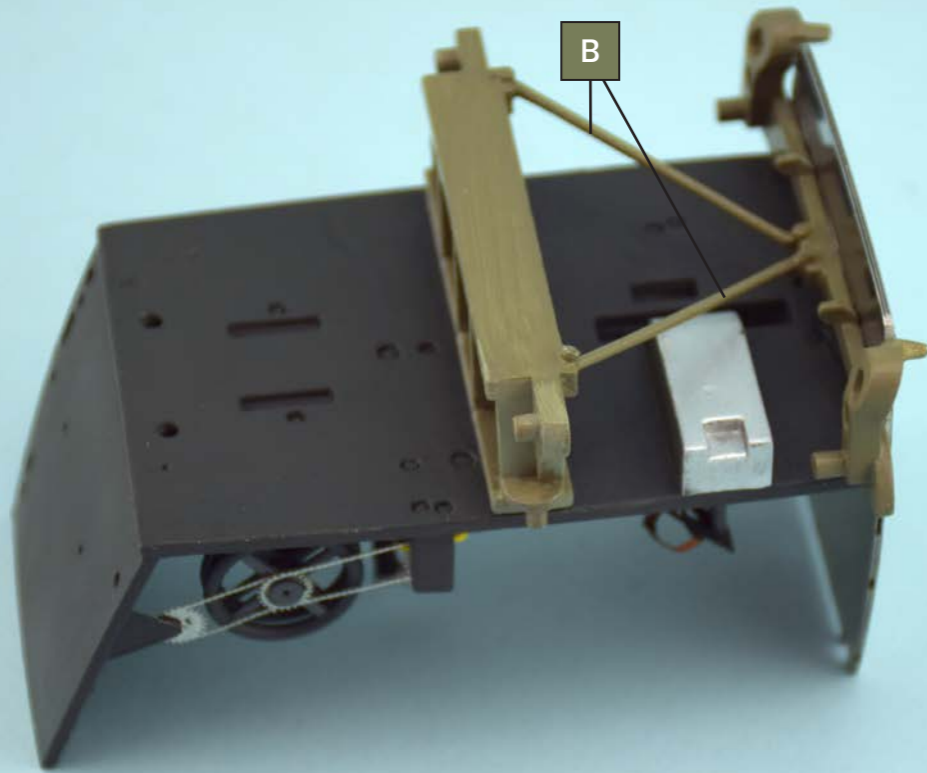
C27



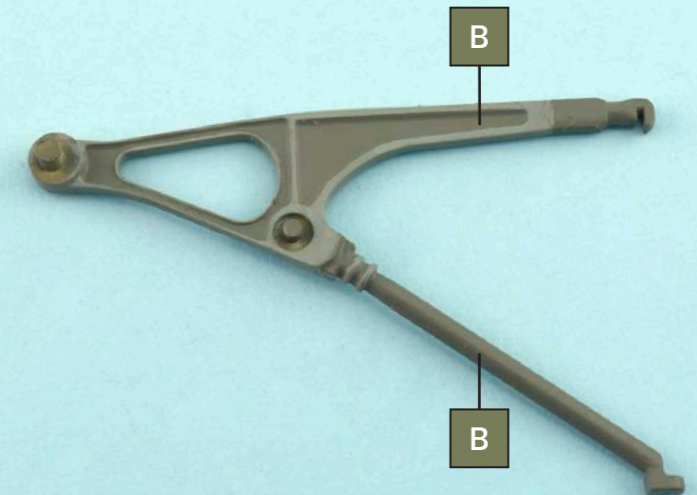
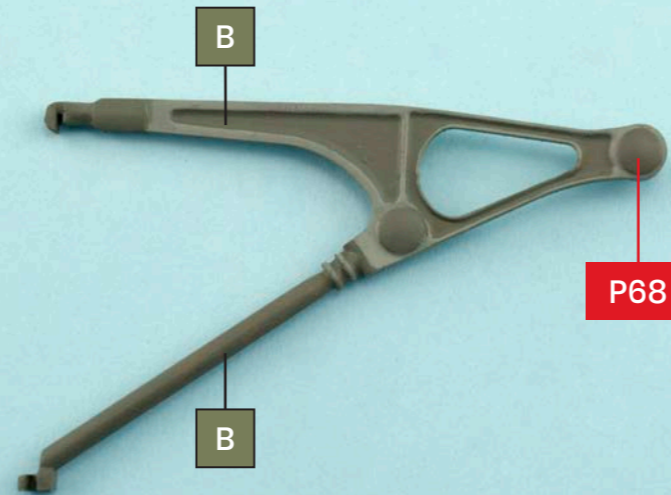
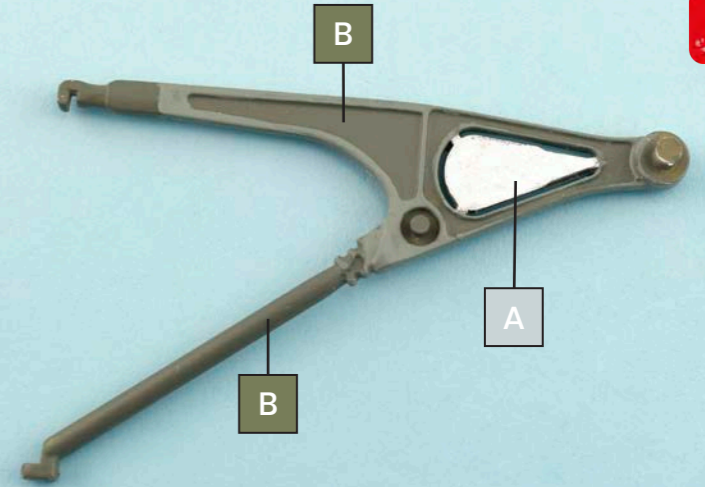
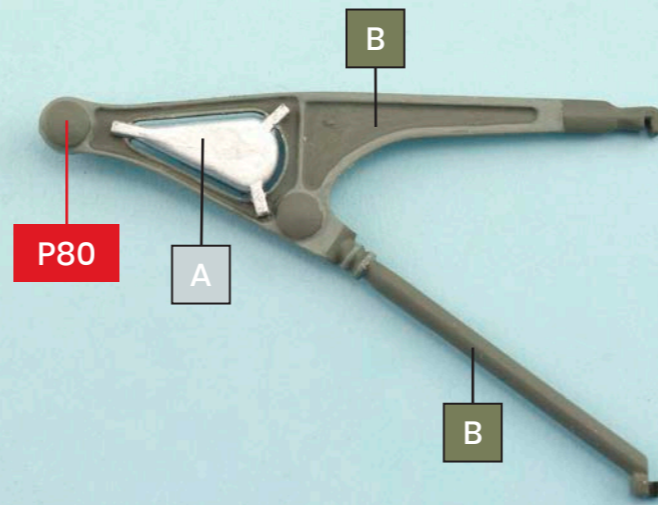
109



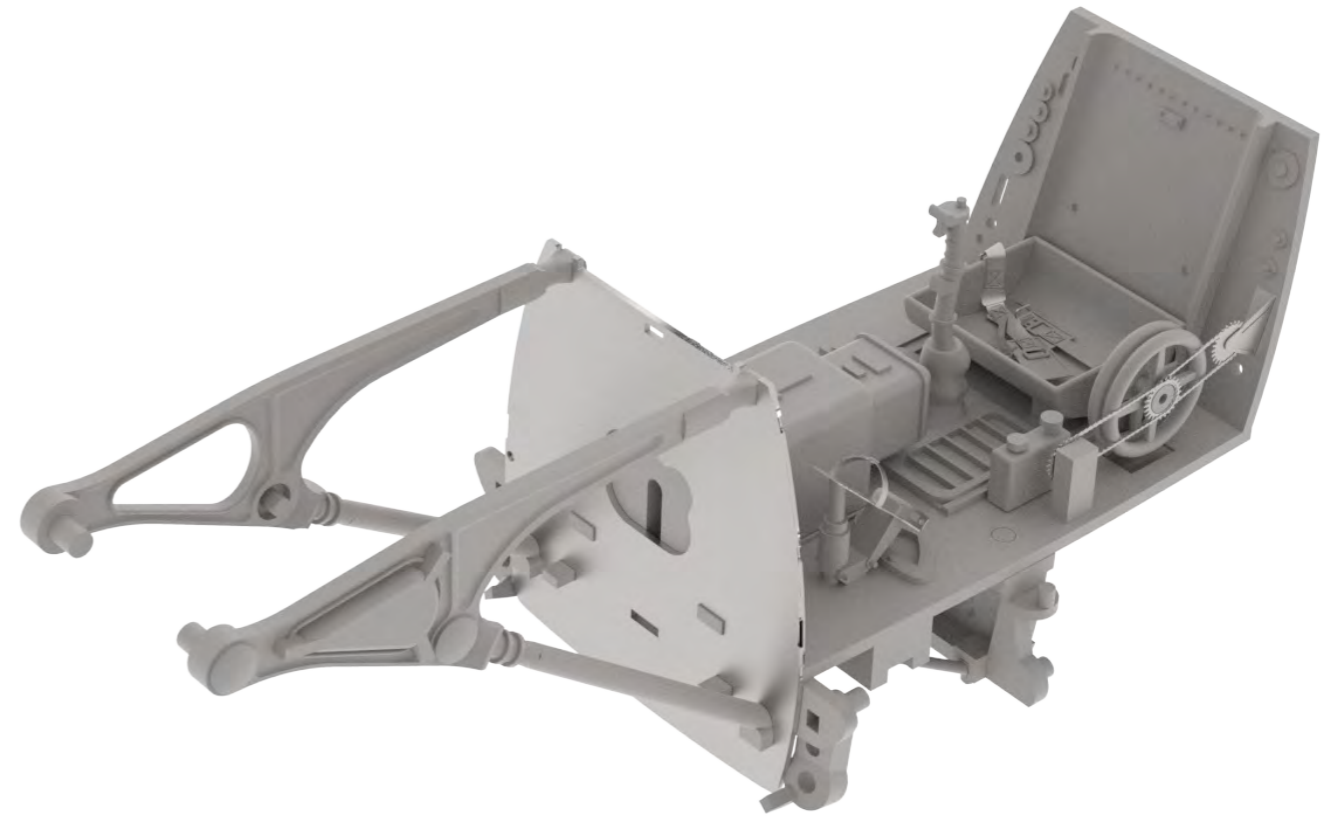
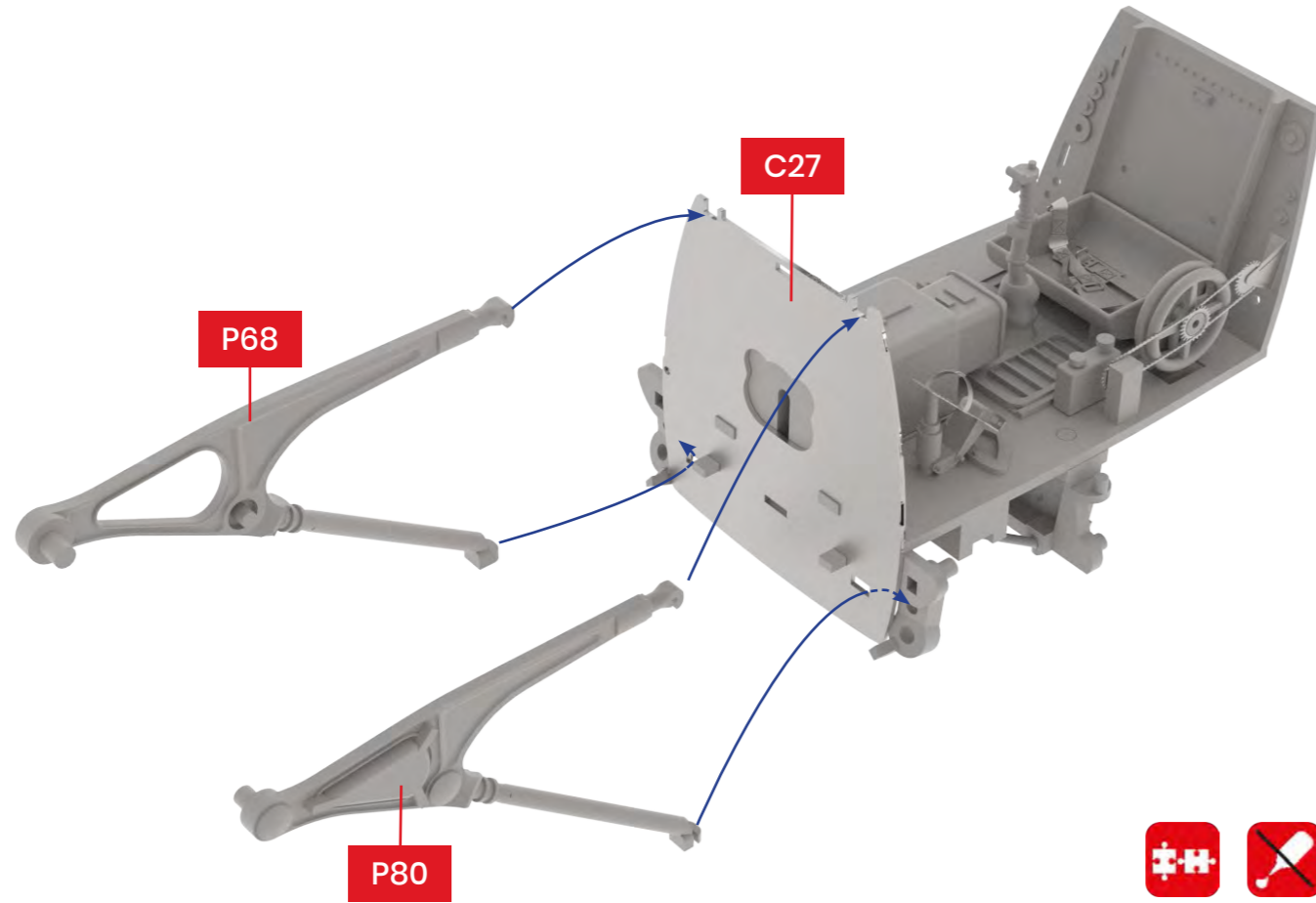
110



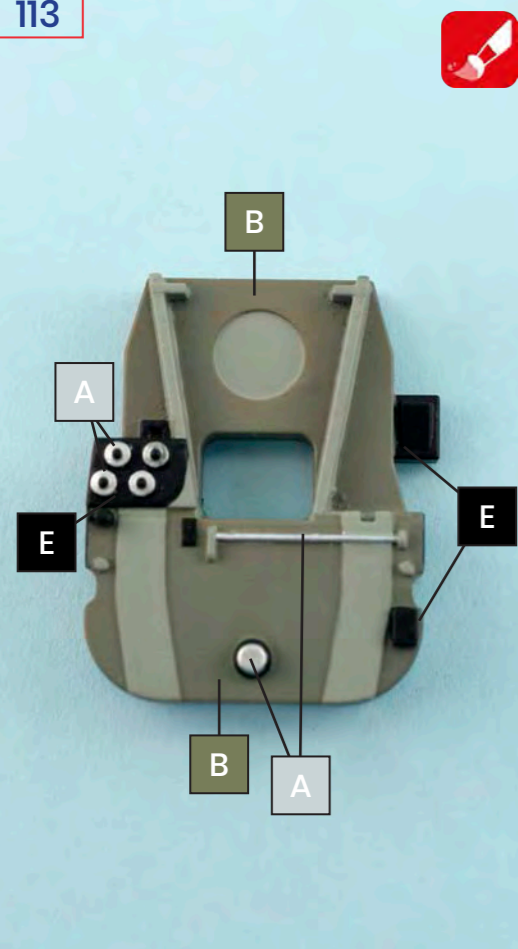
111



112



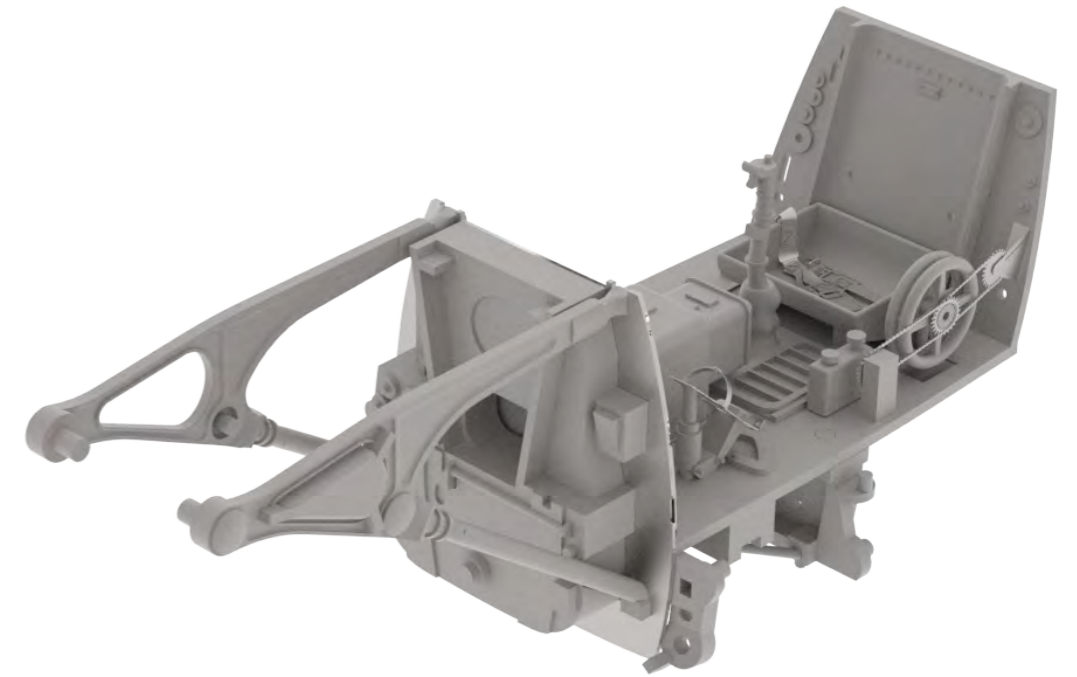
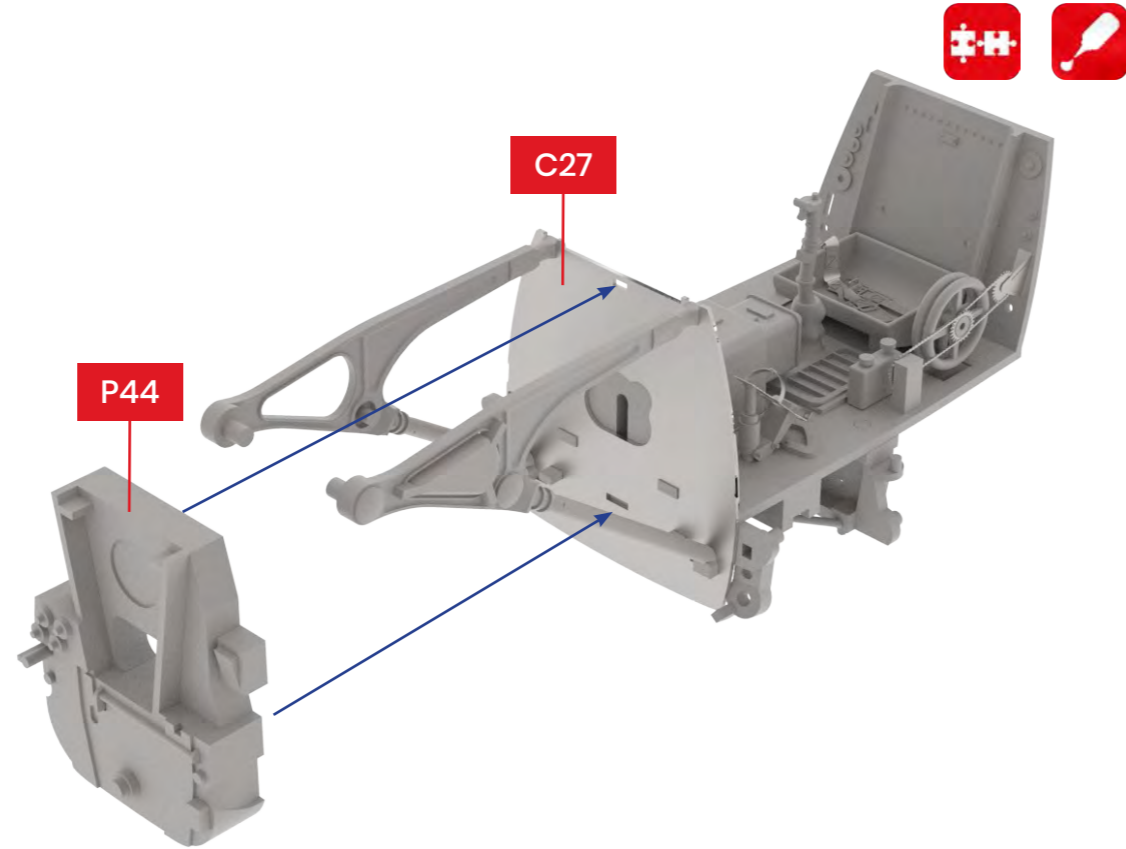
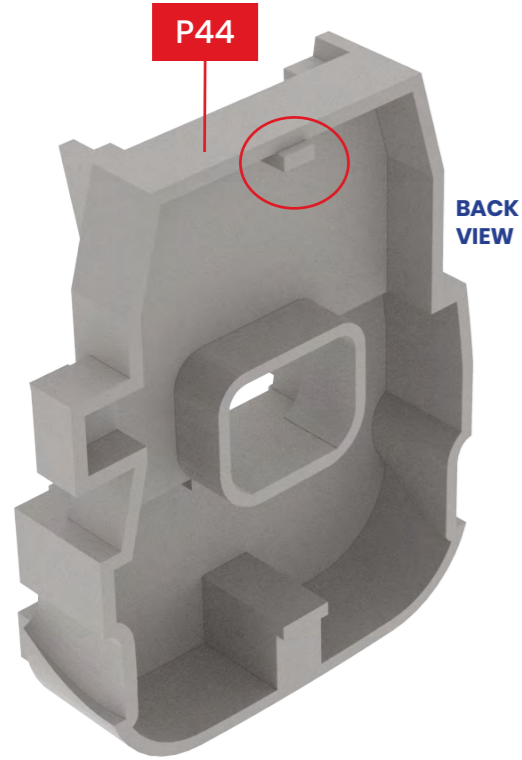
113



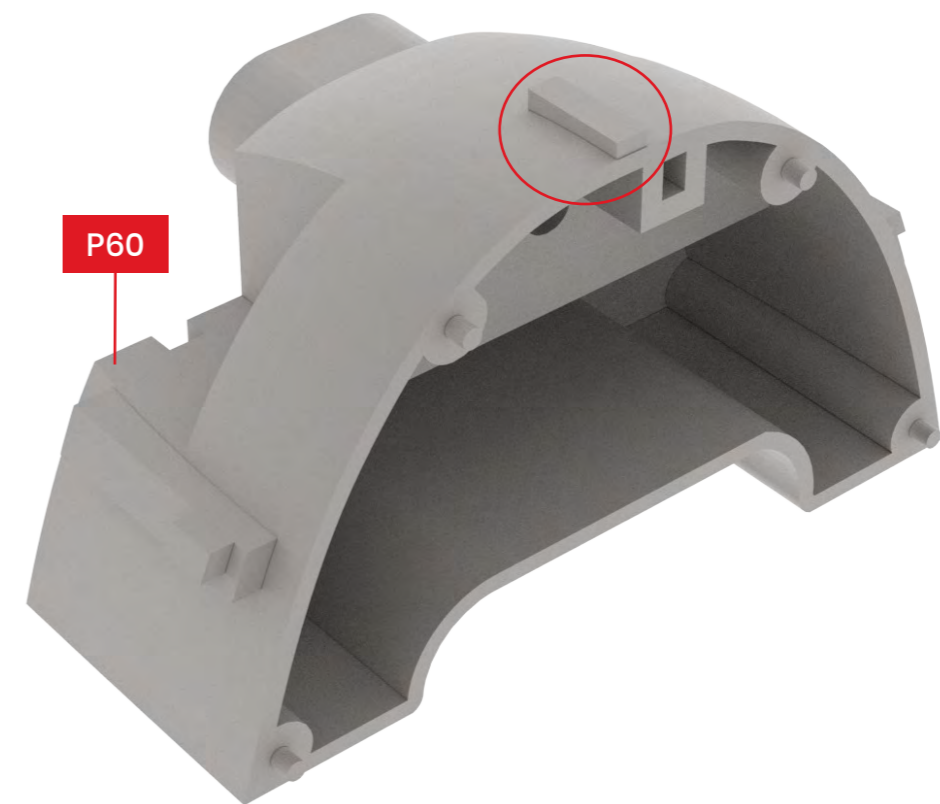
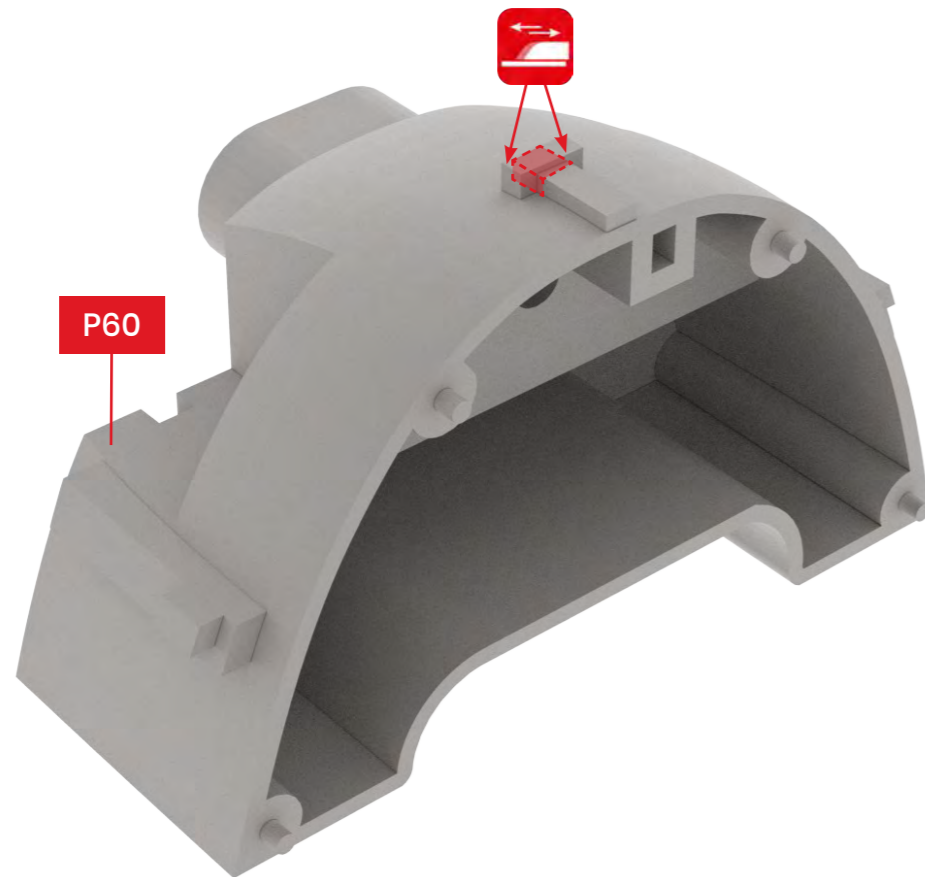
114



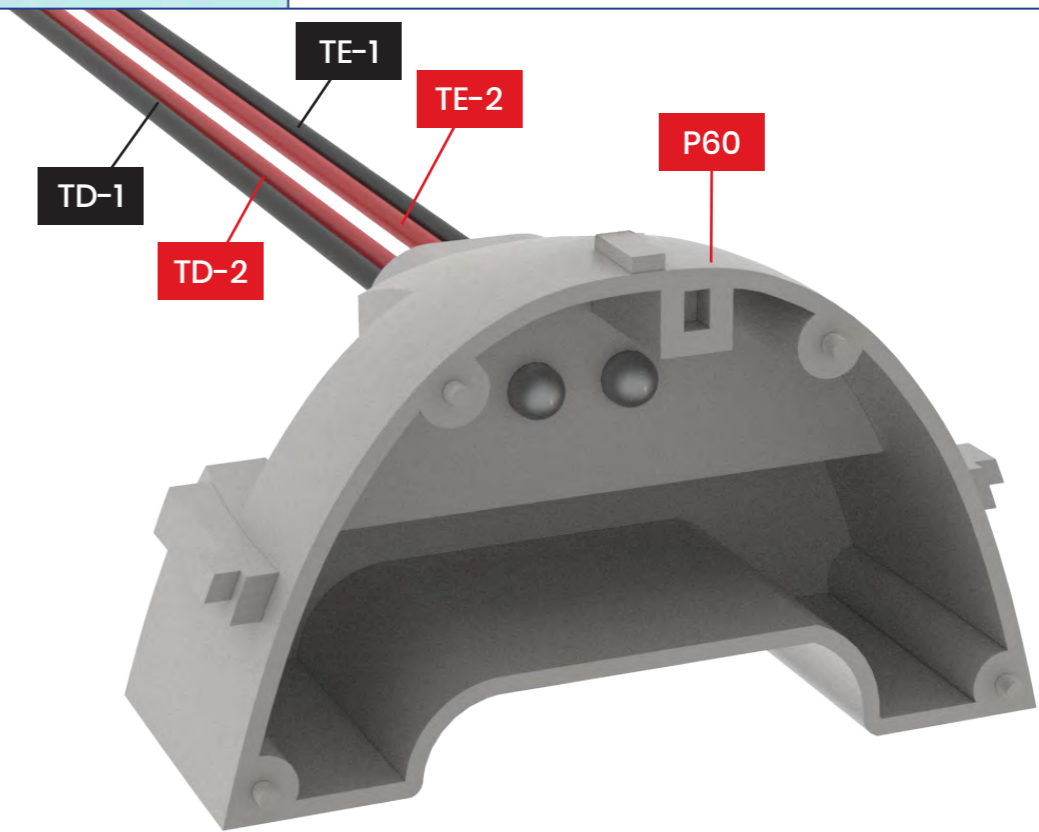
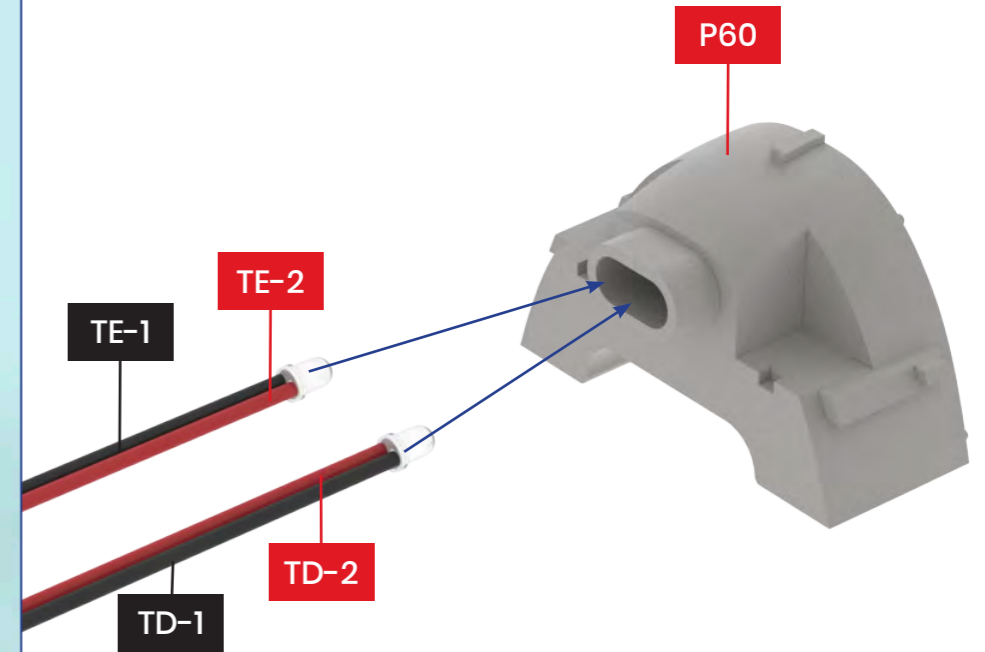
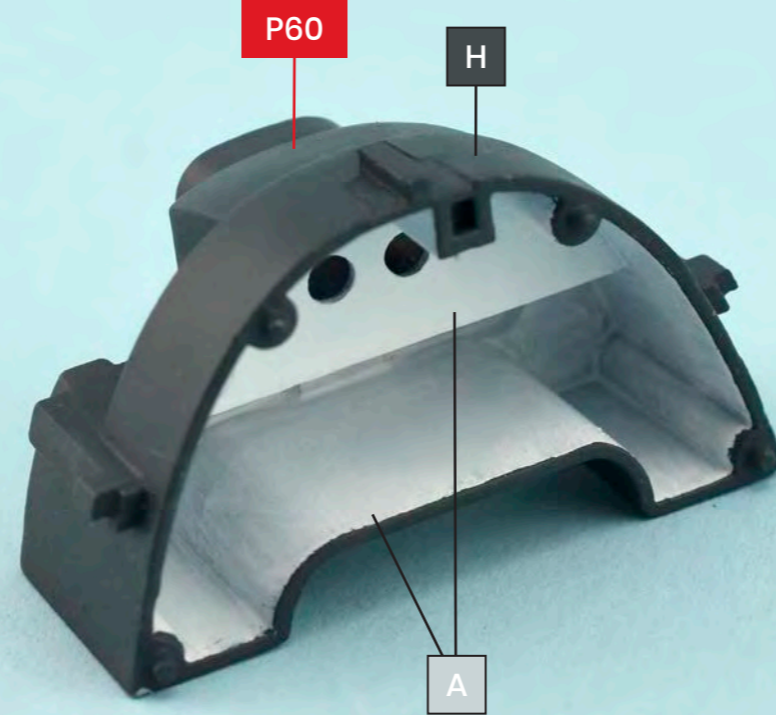
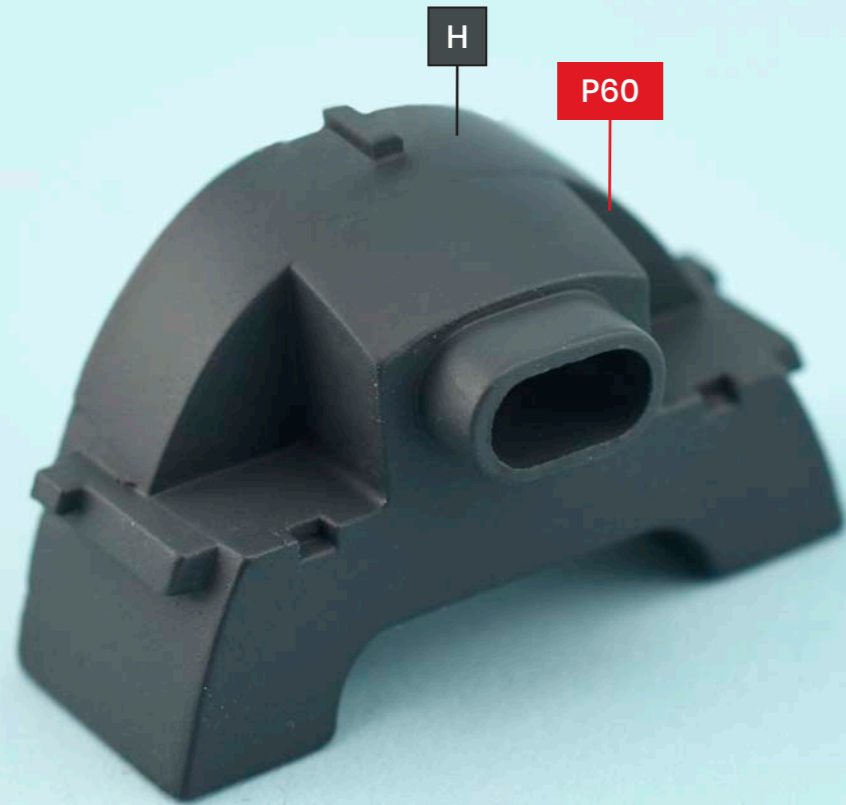
115



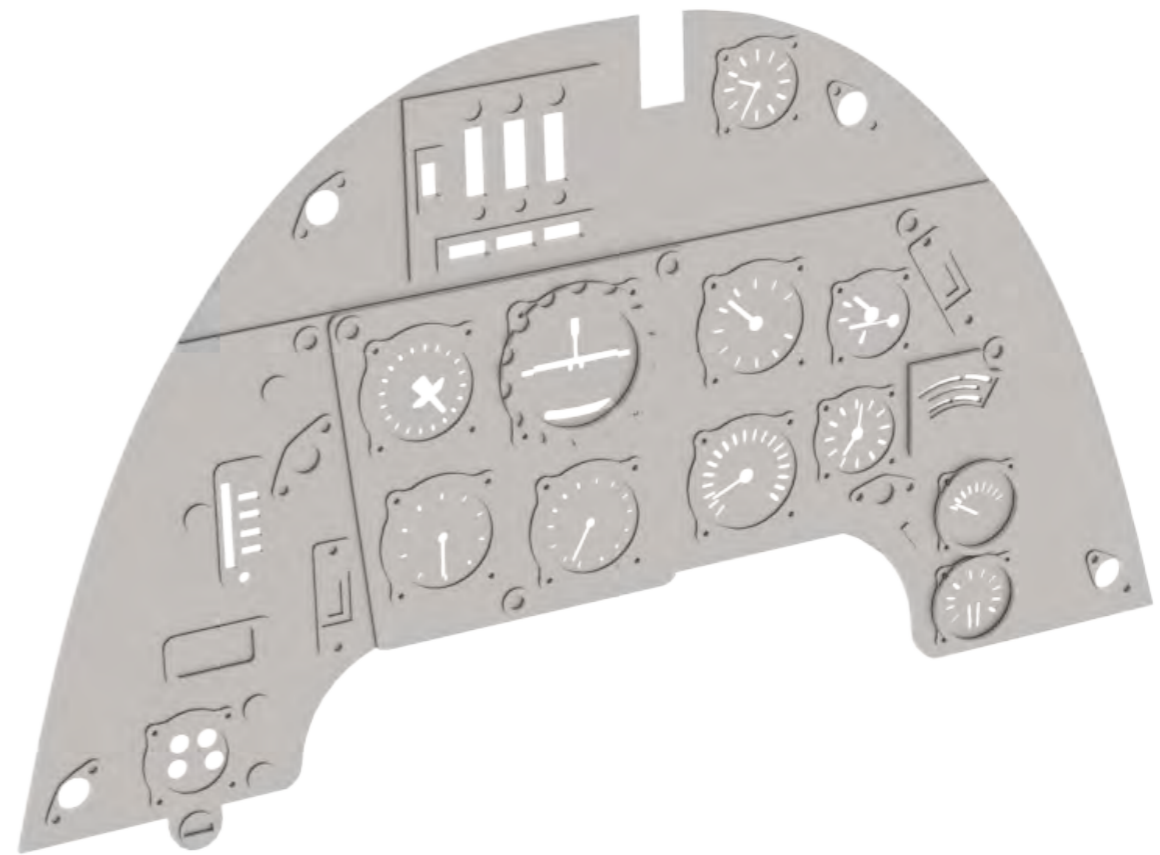
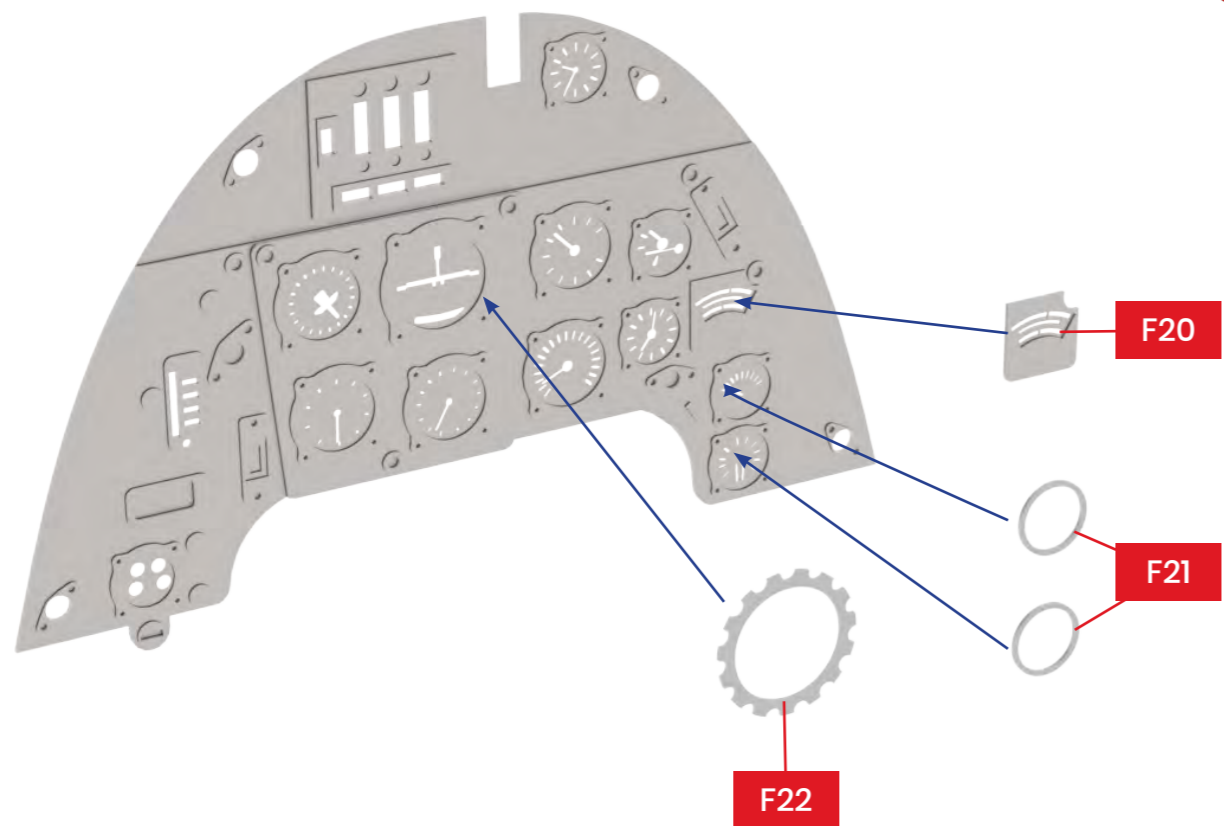
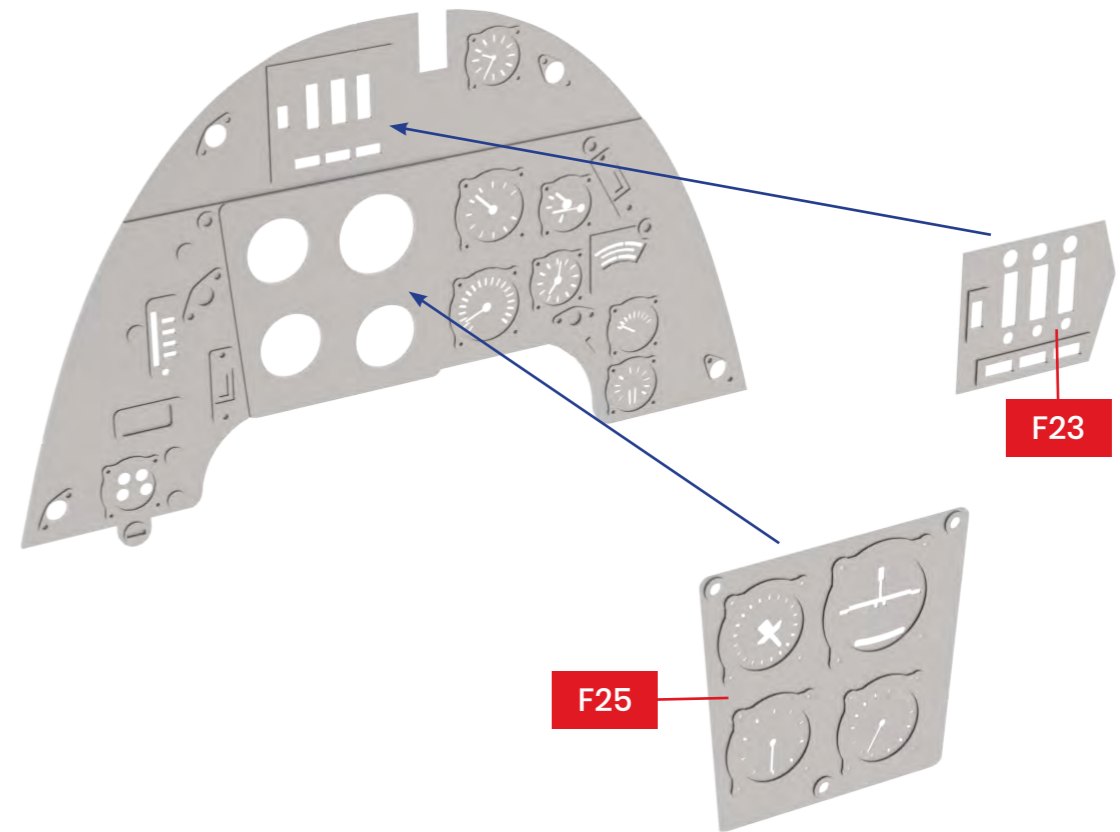
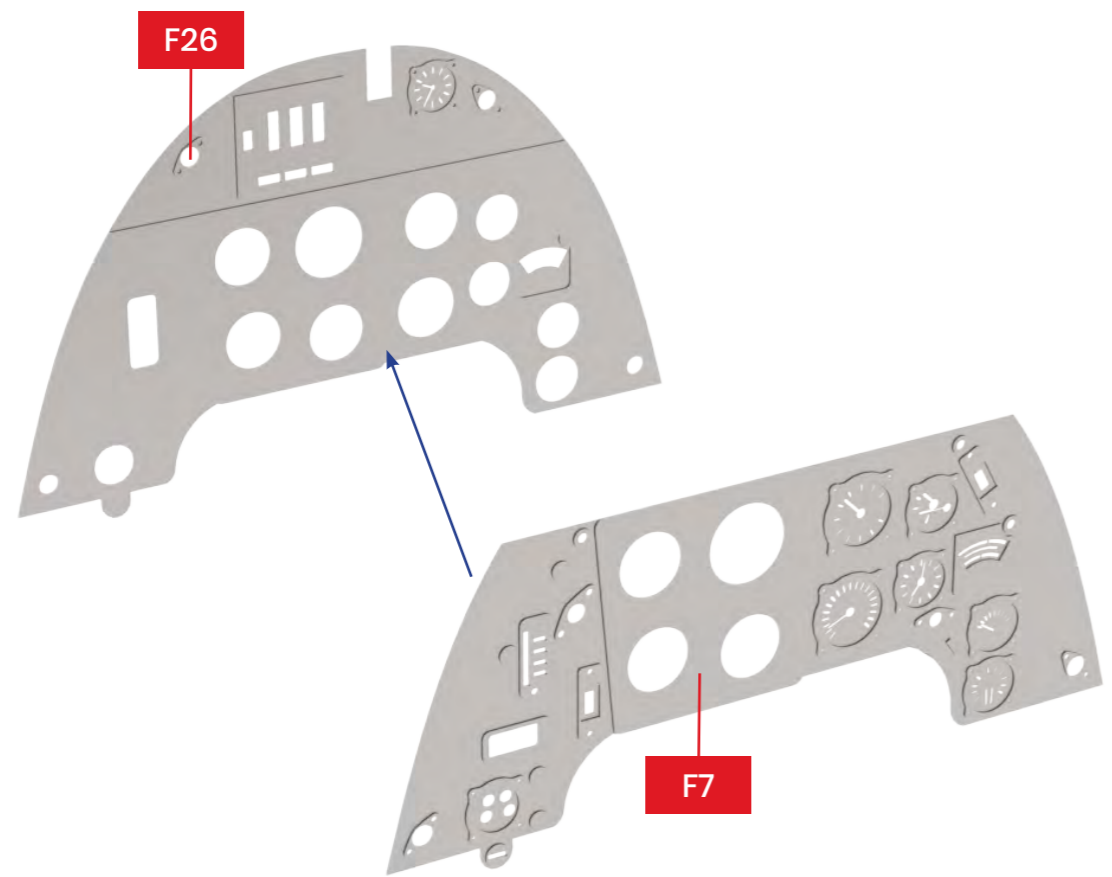
116



117



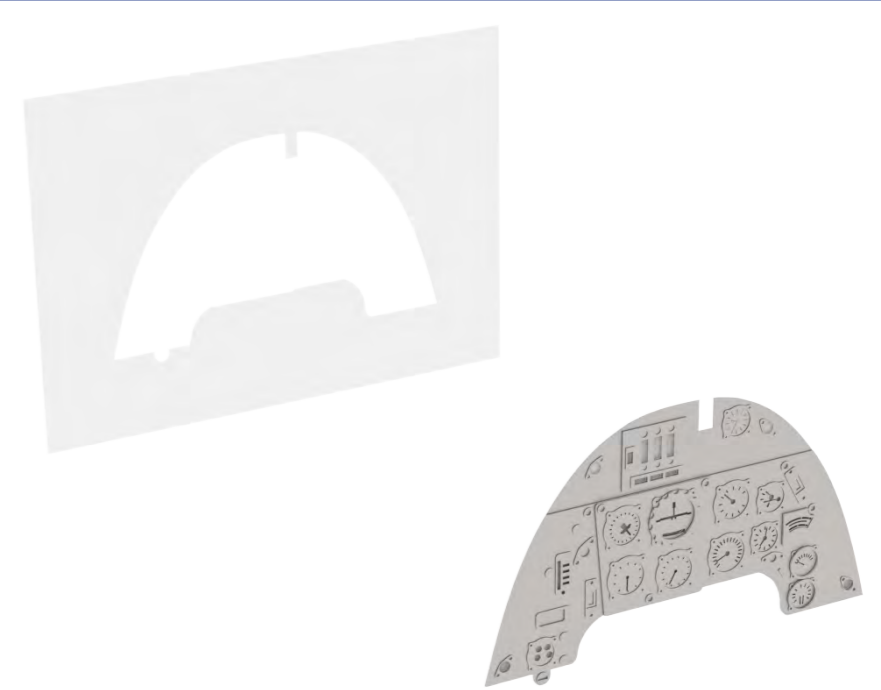
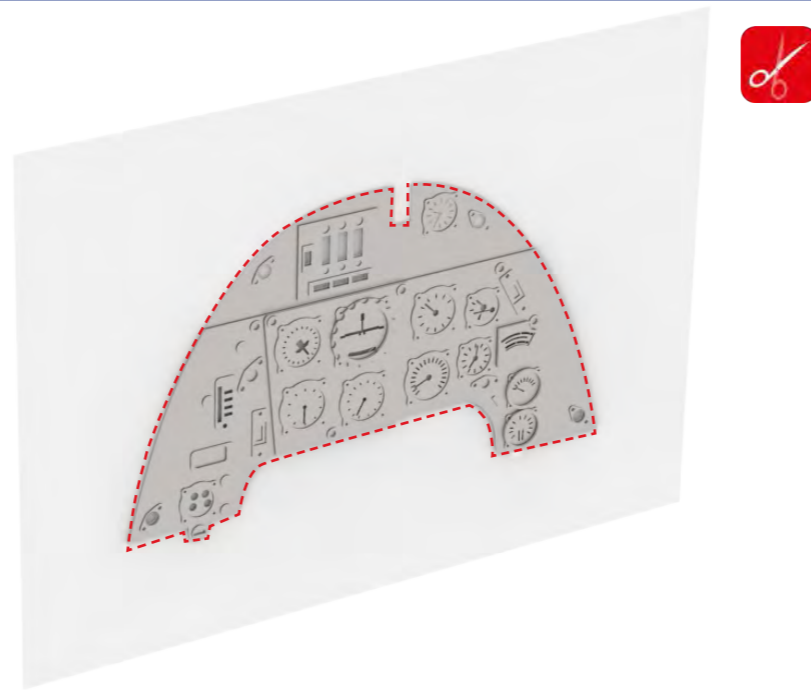
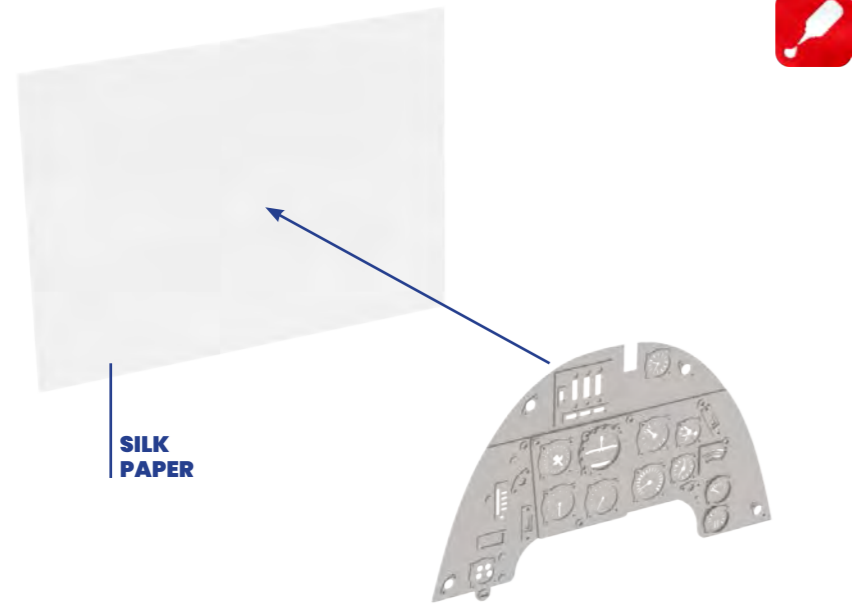
118



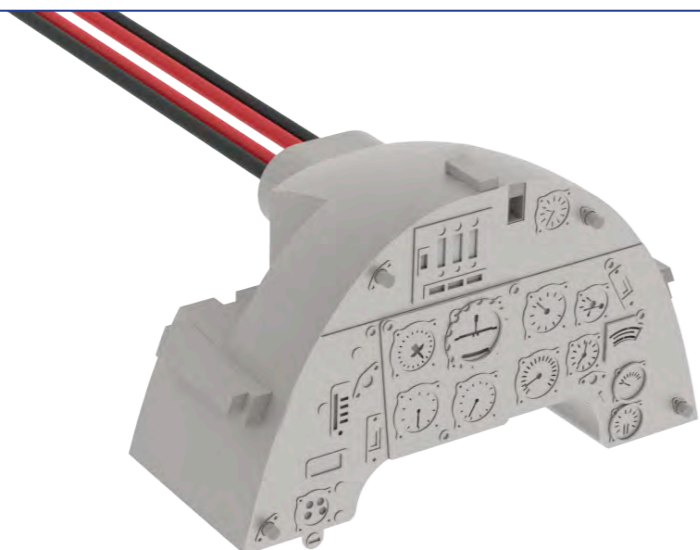
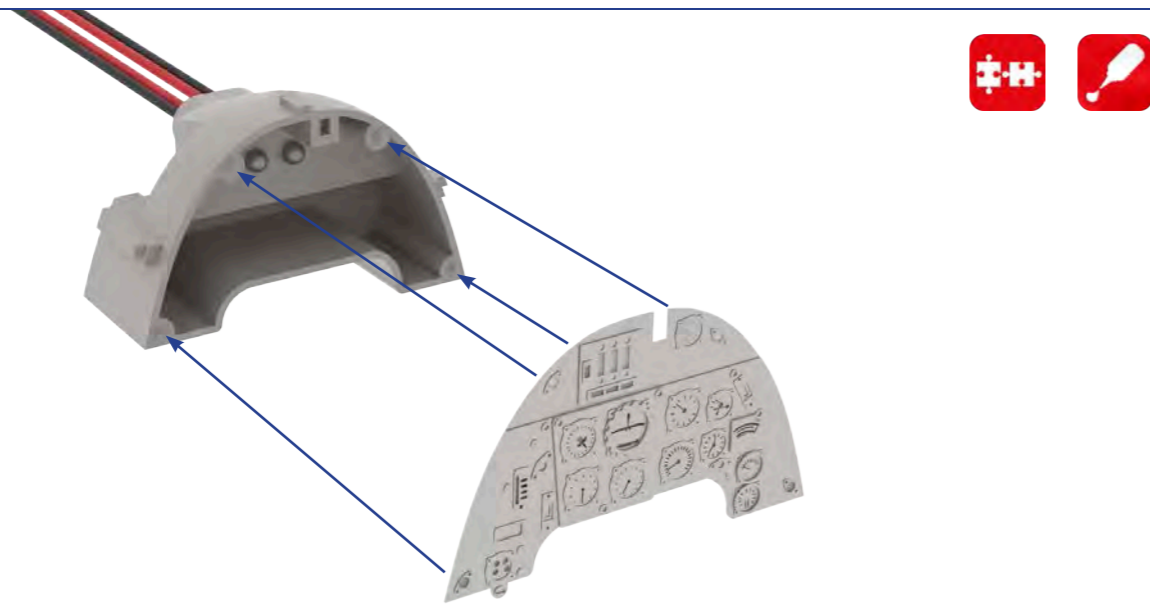
119



120



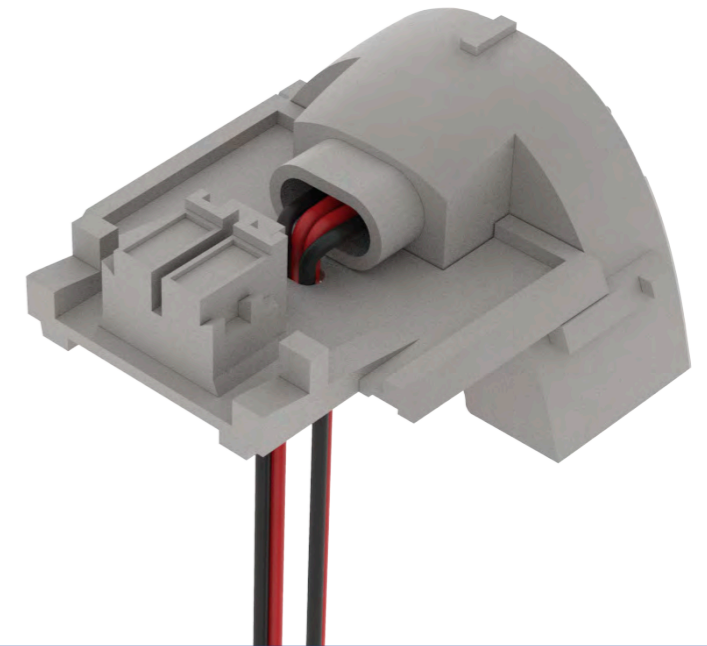
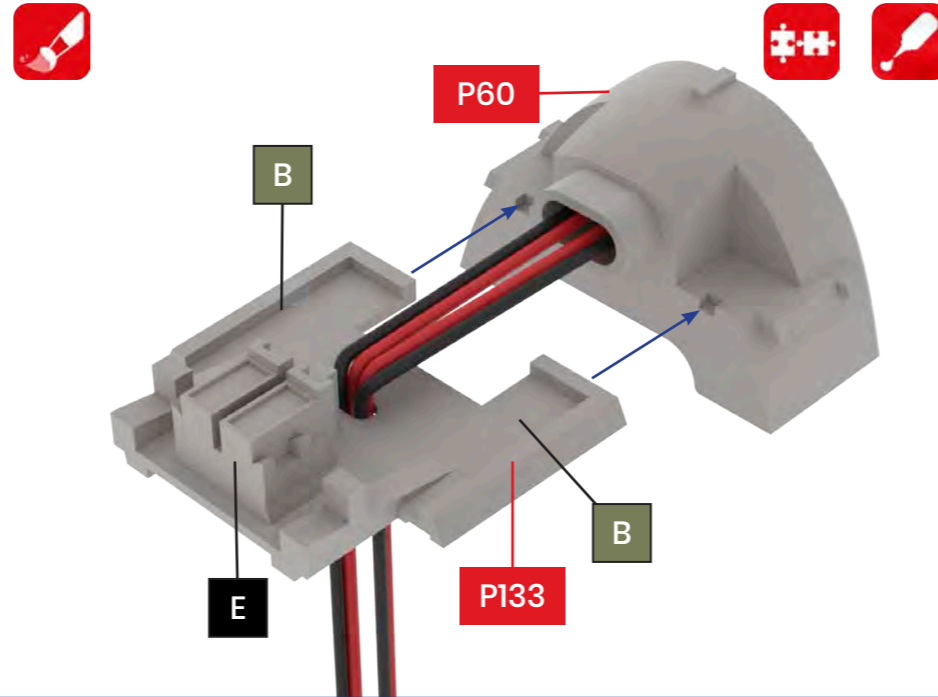
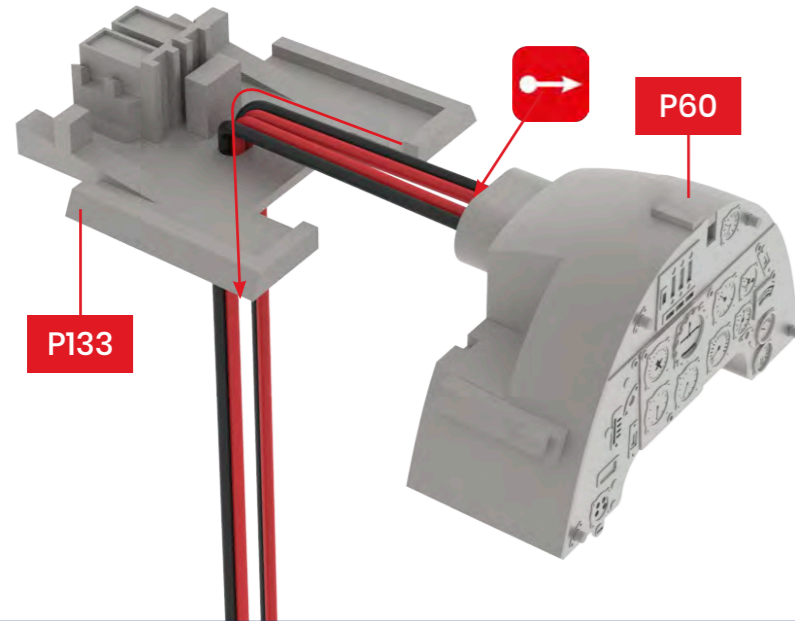
121



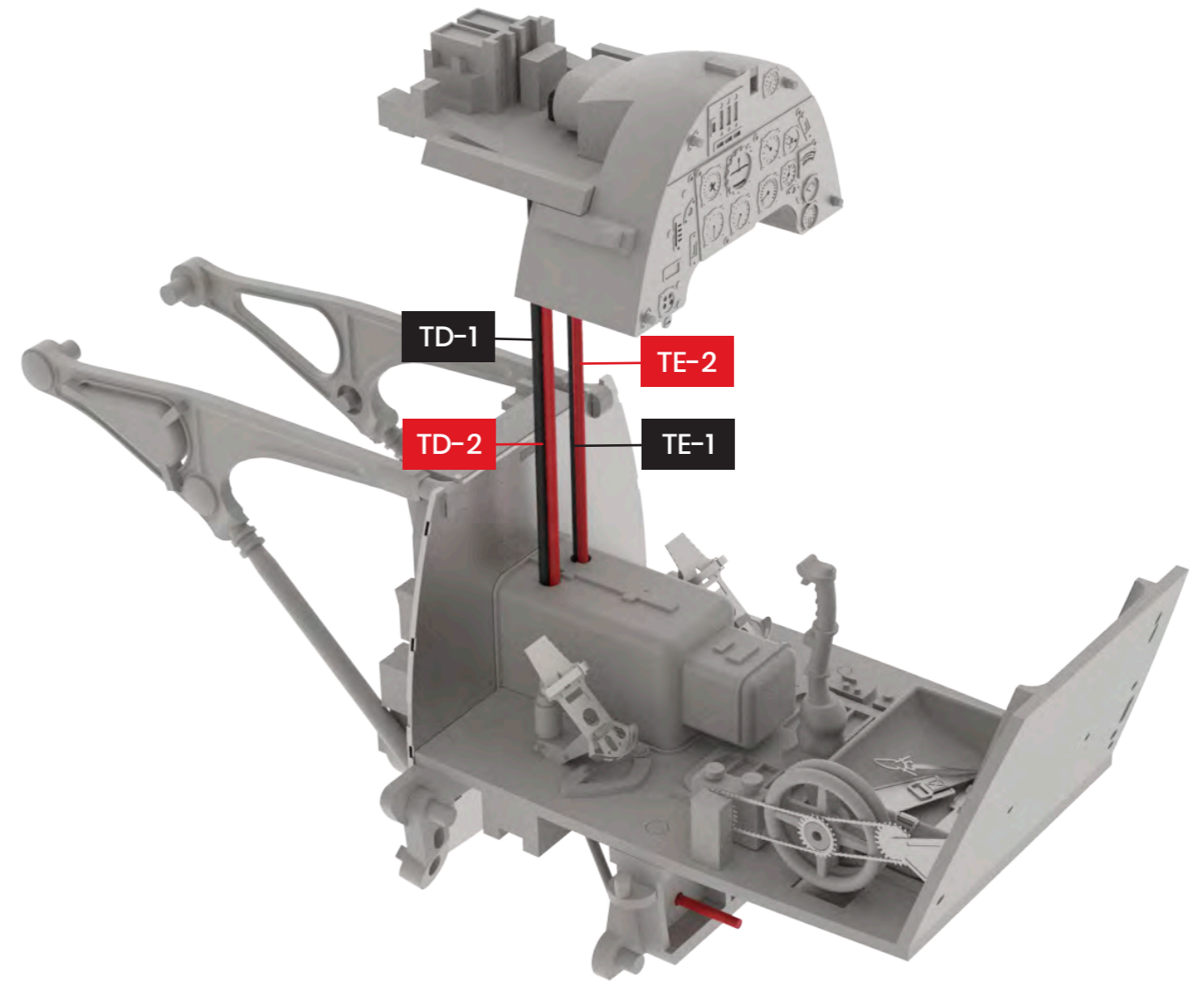
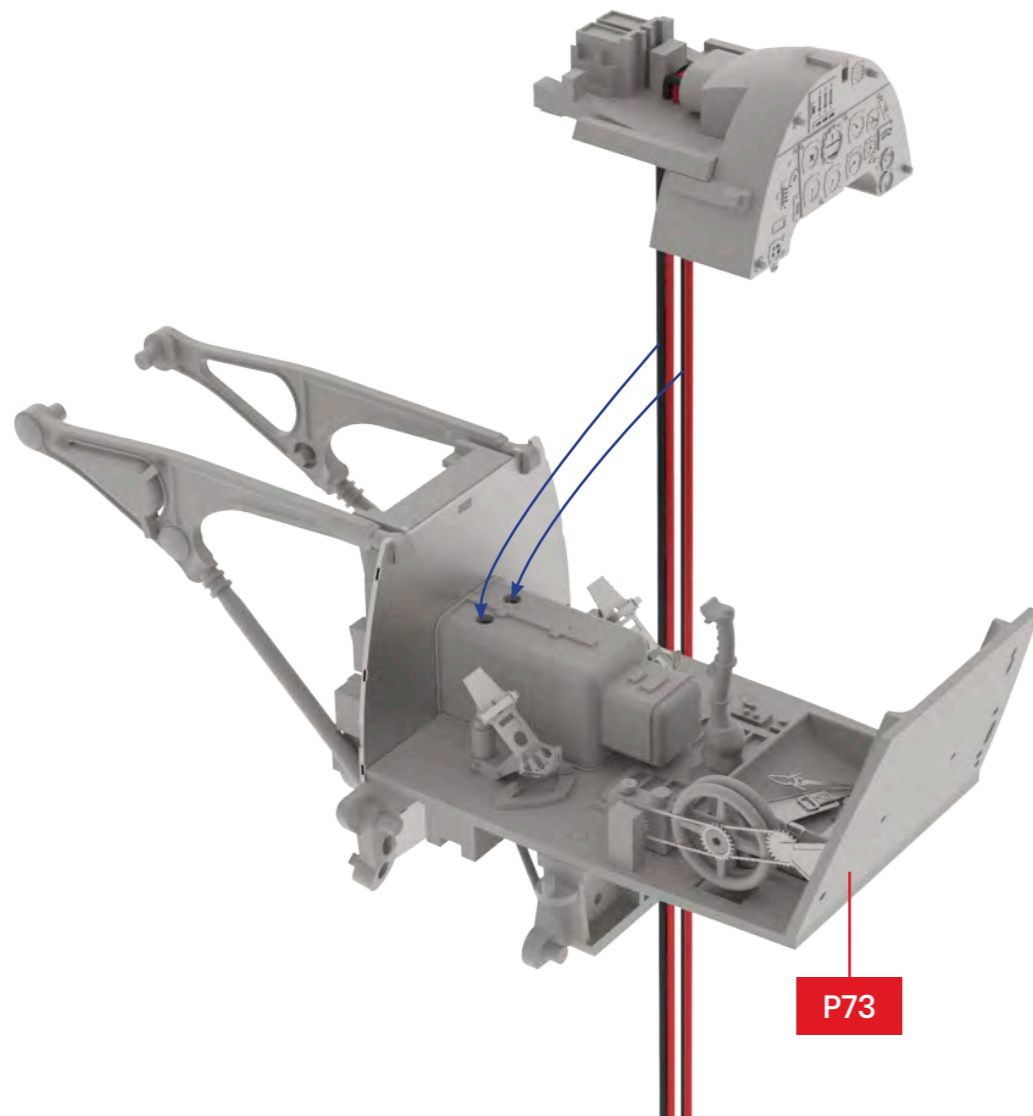
122



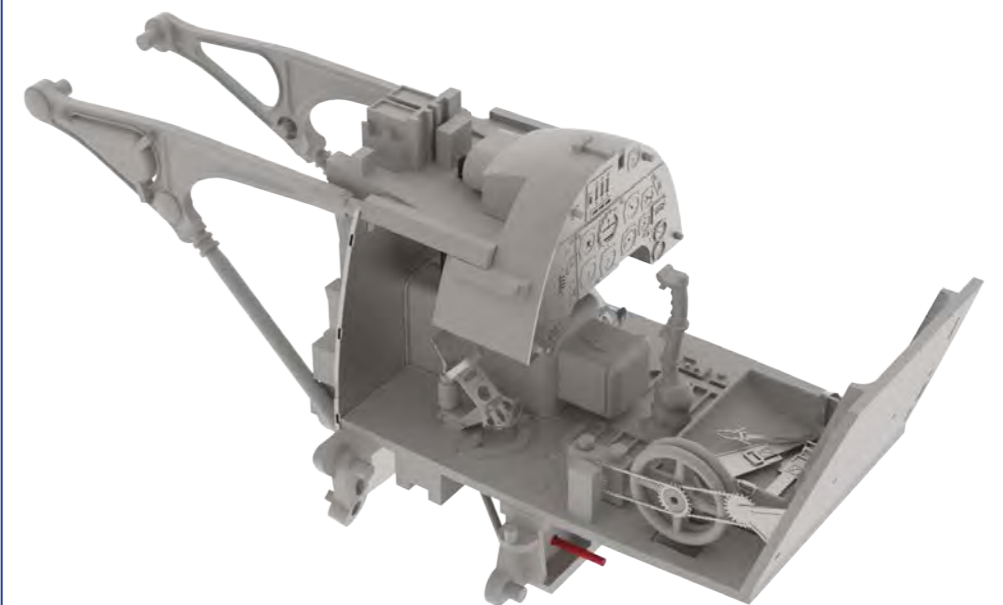
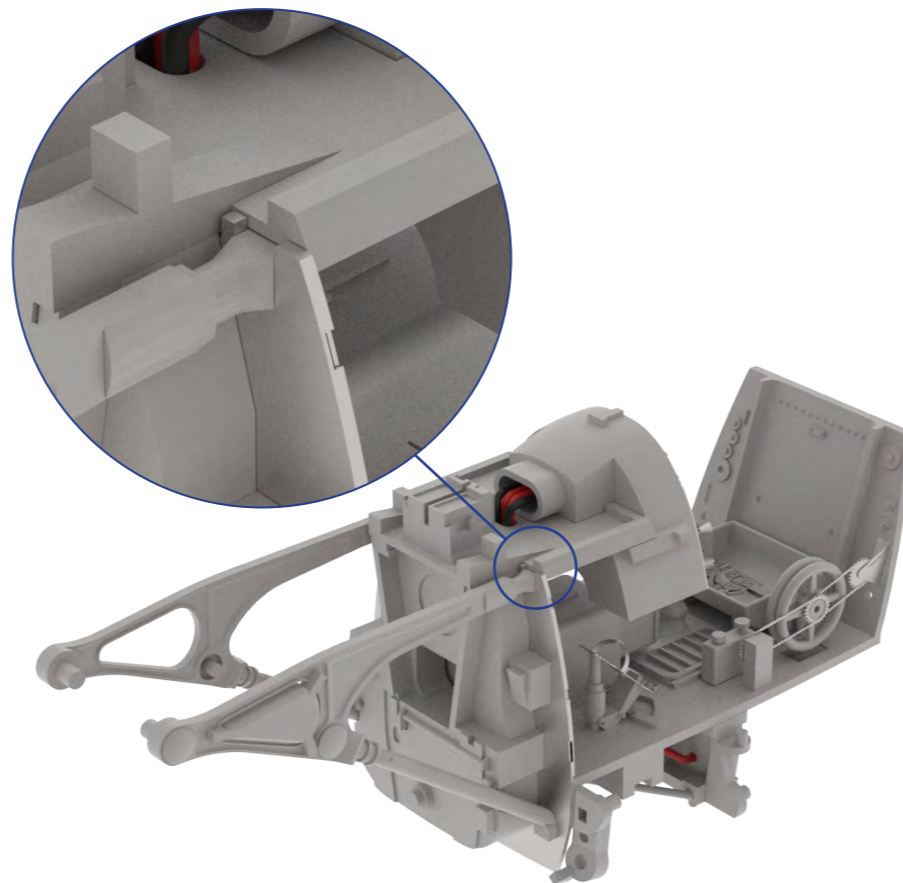
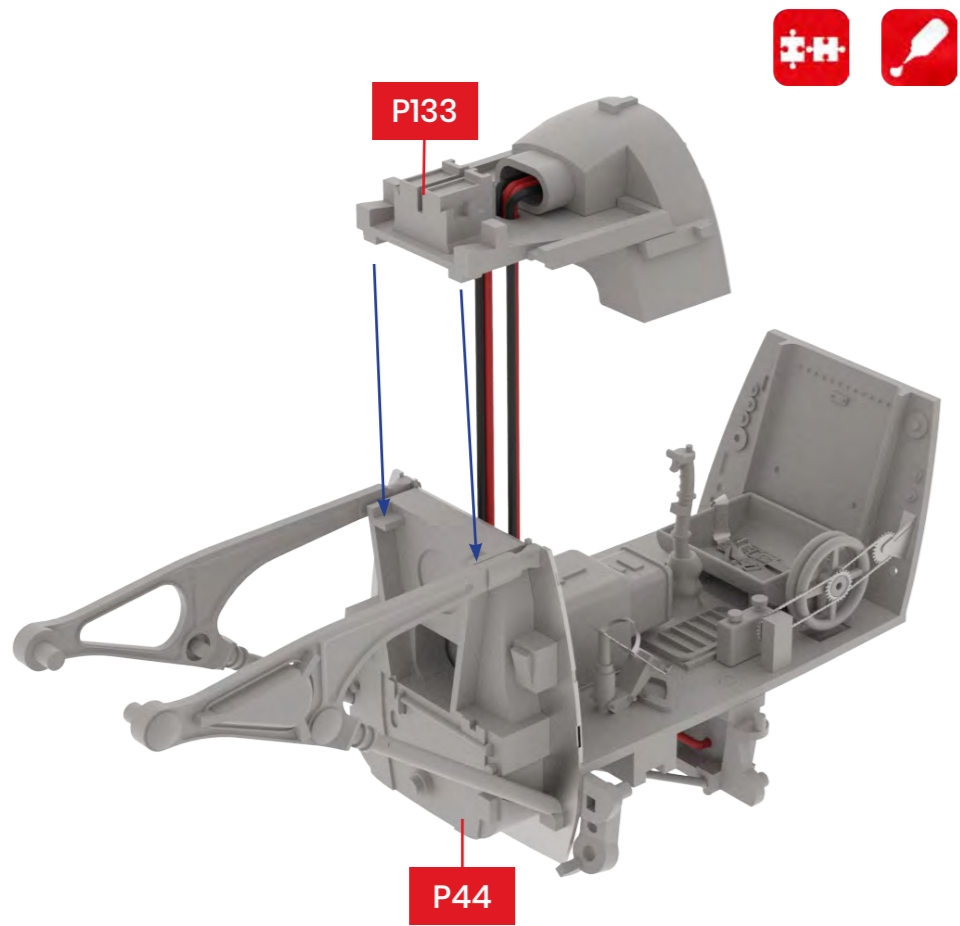
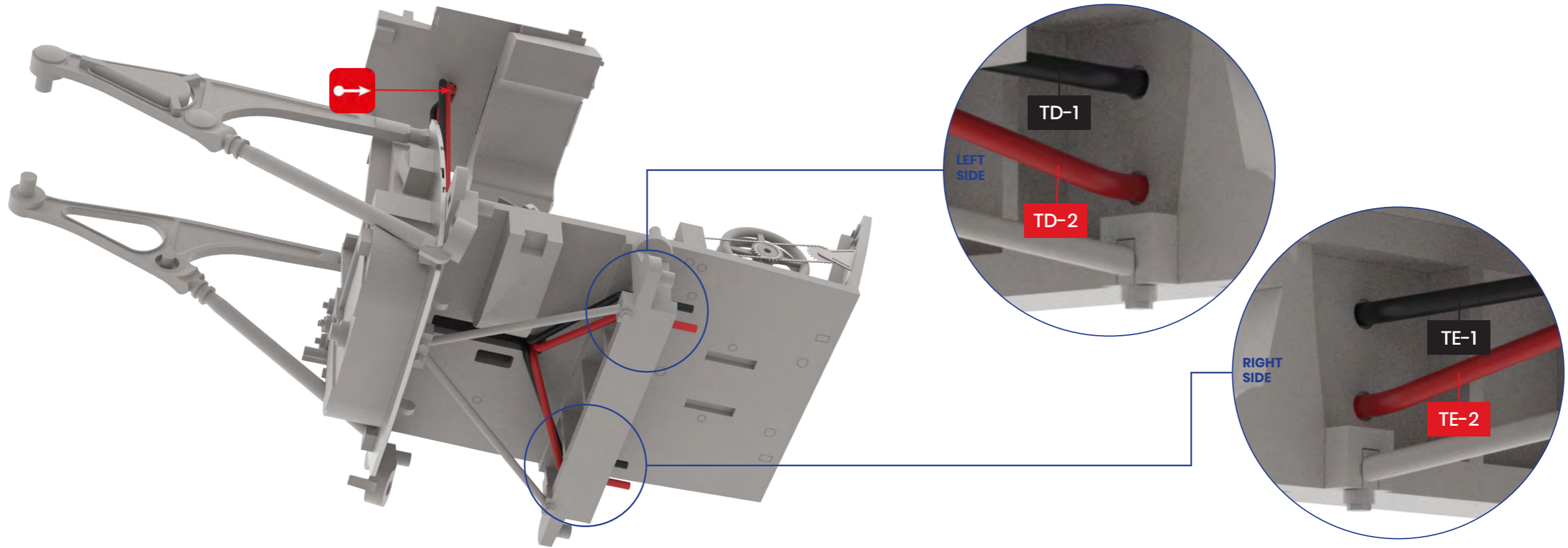
123



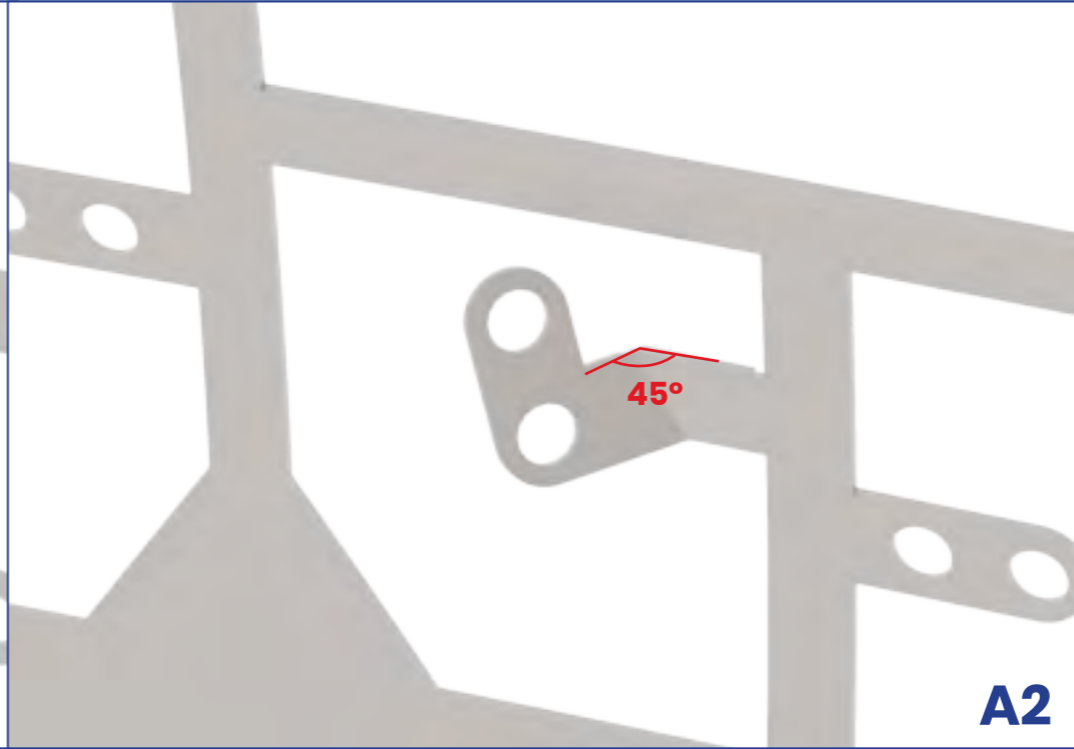
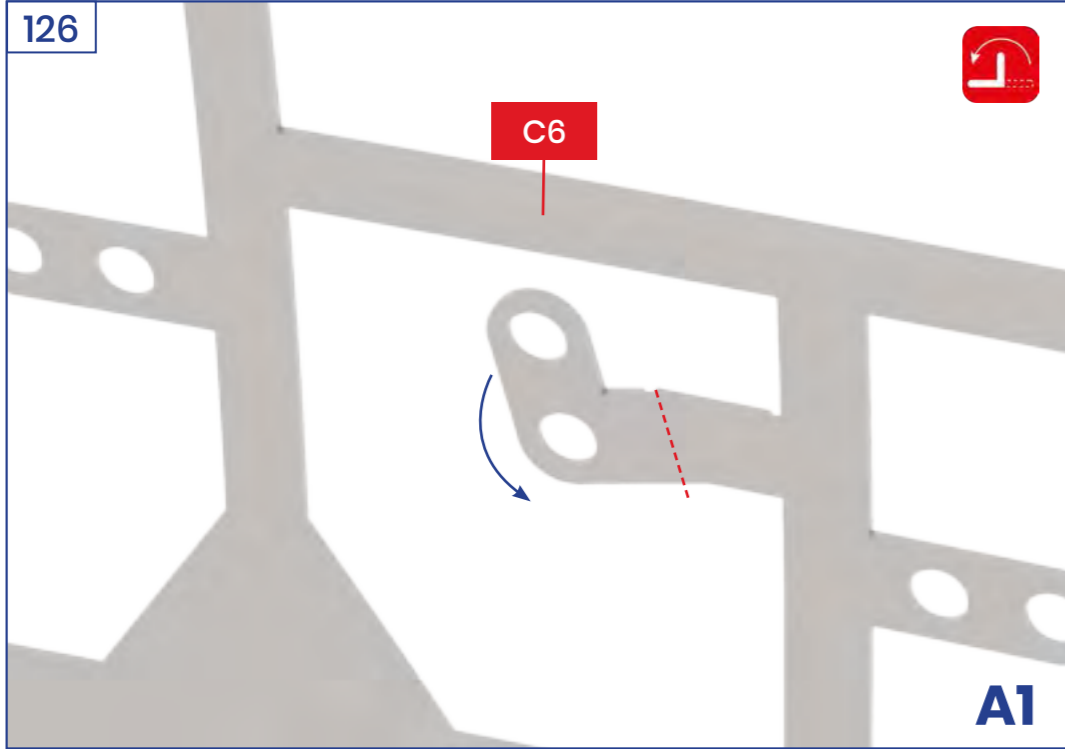
124



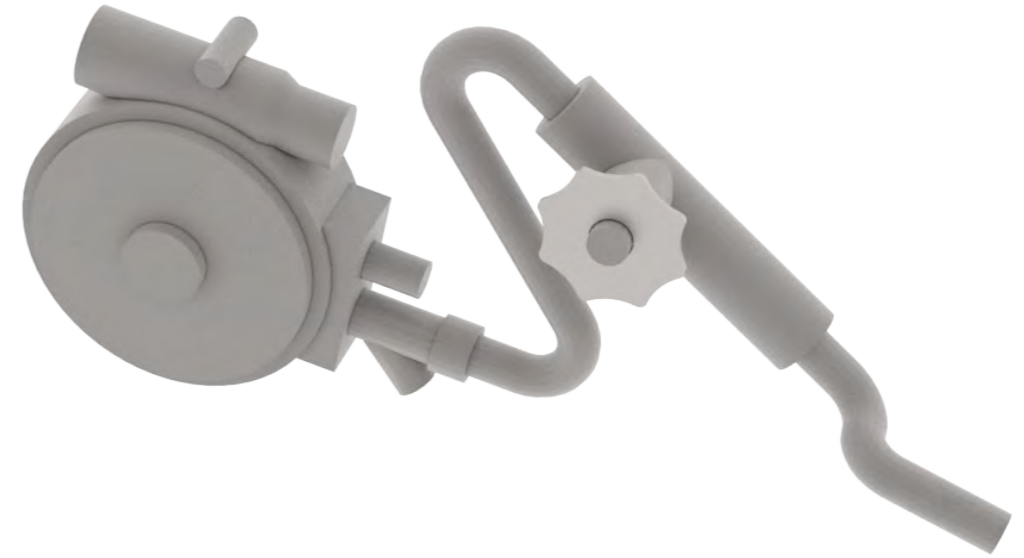
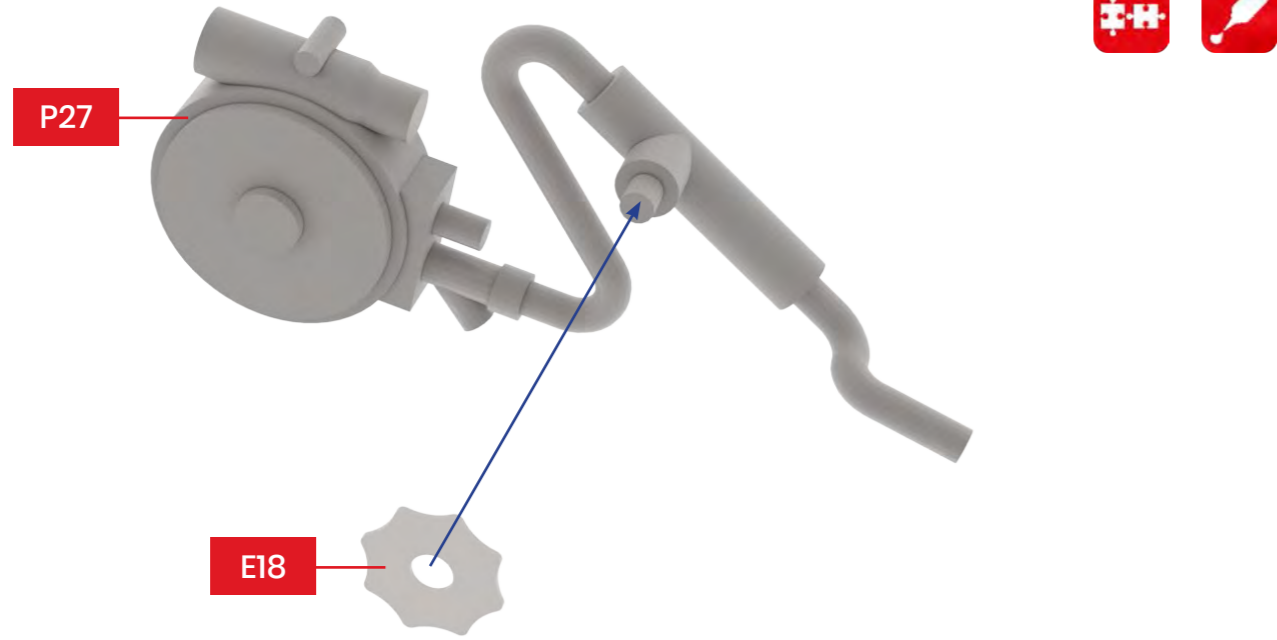
125



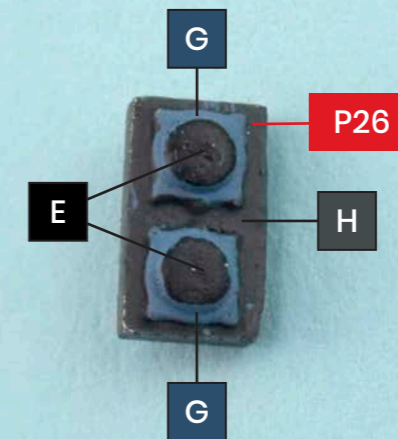
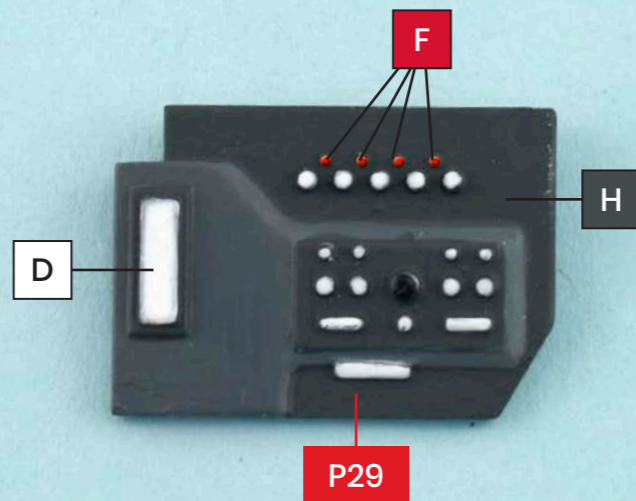
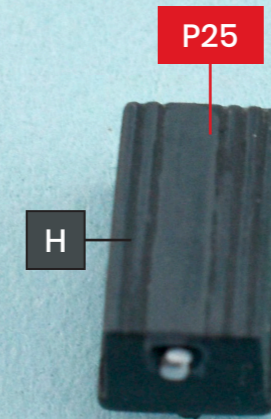
126



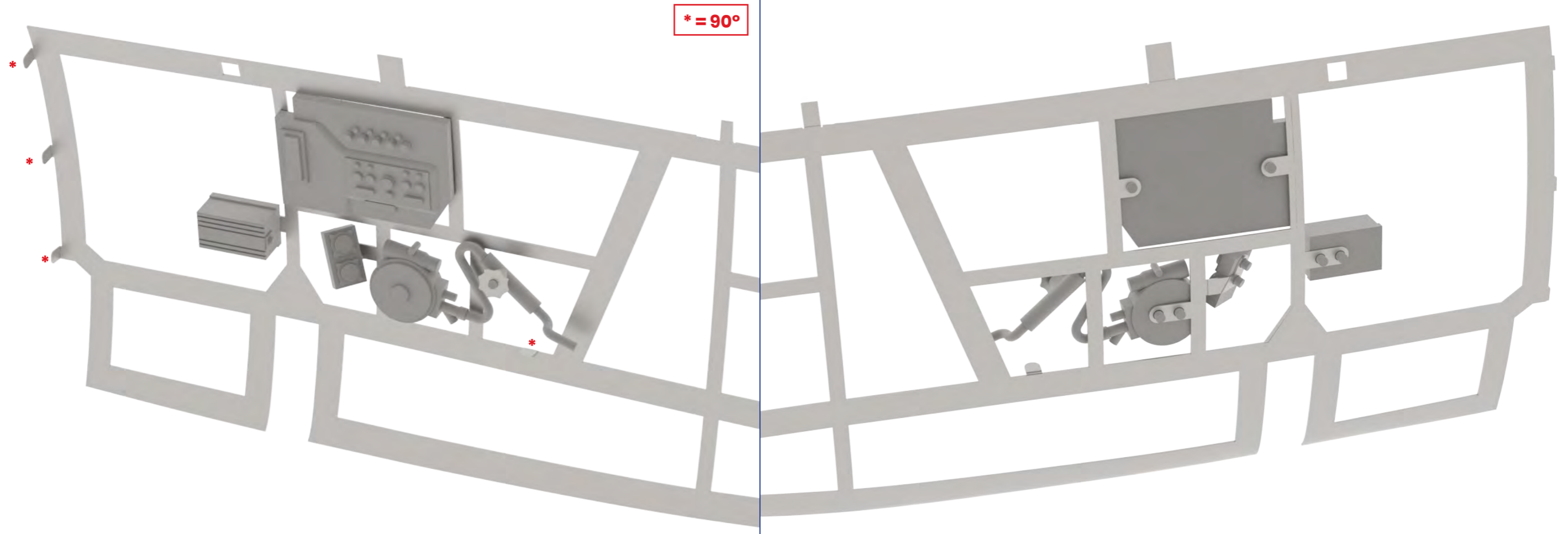
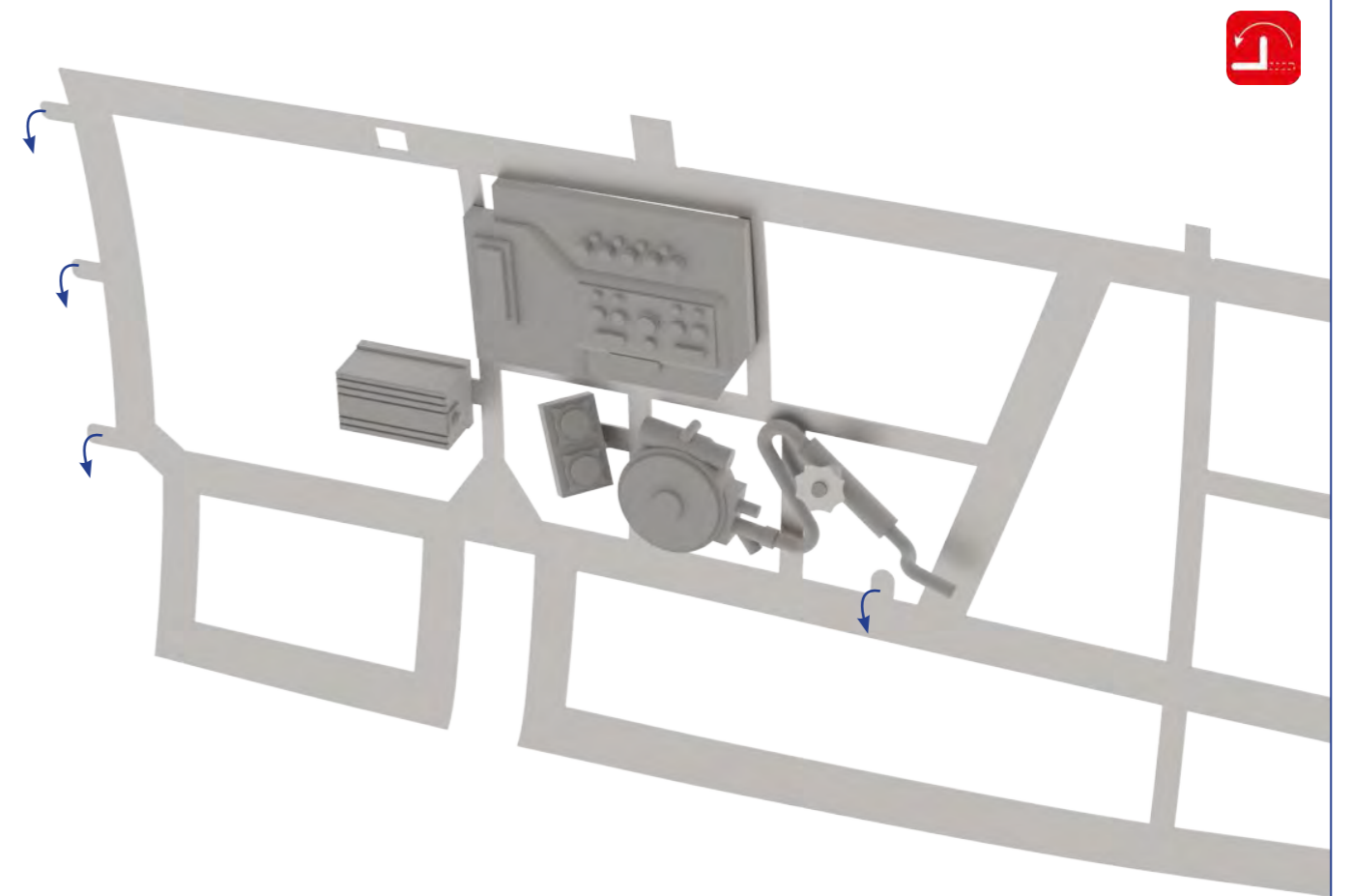
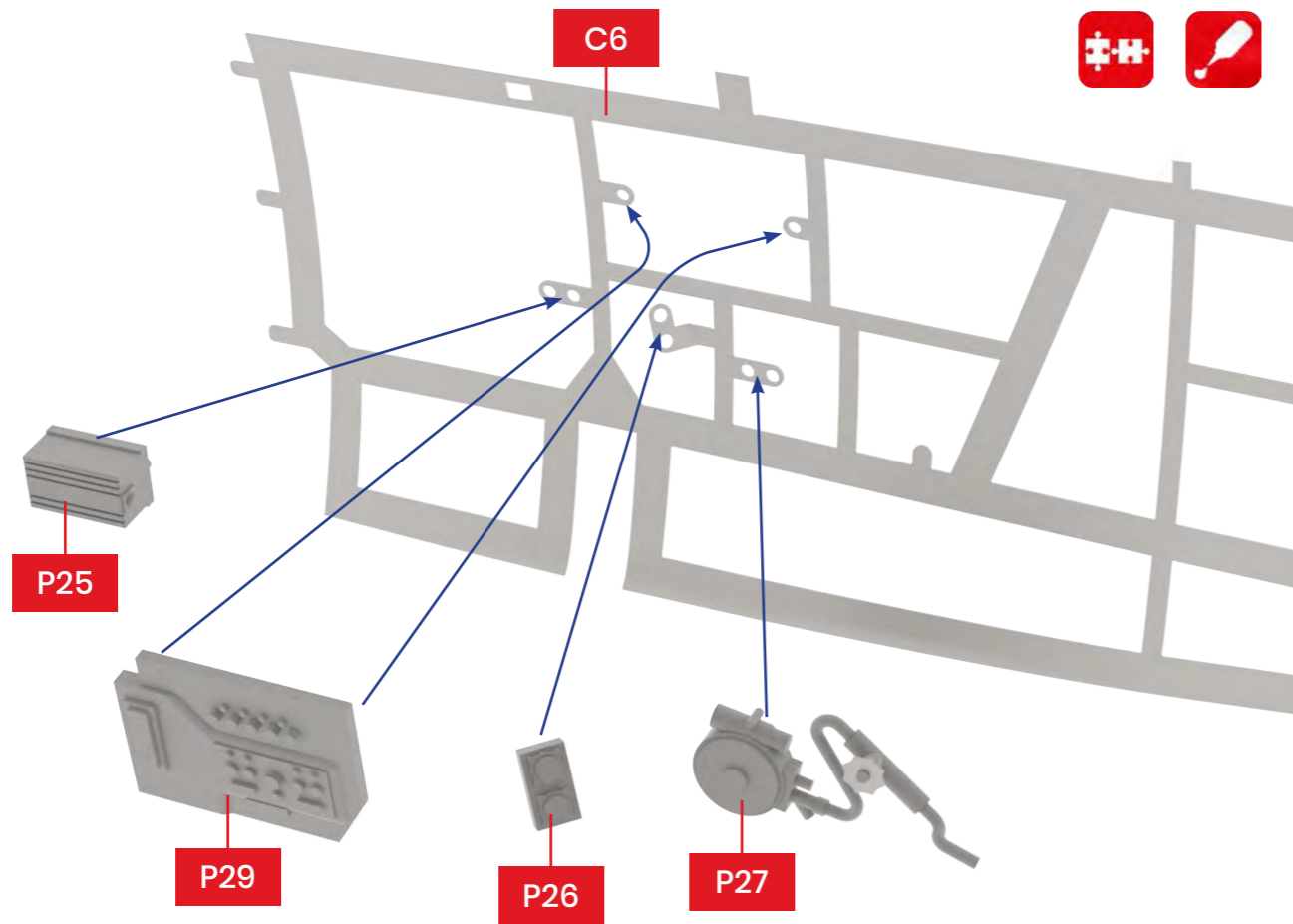
127

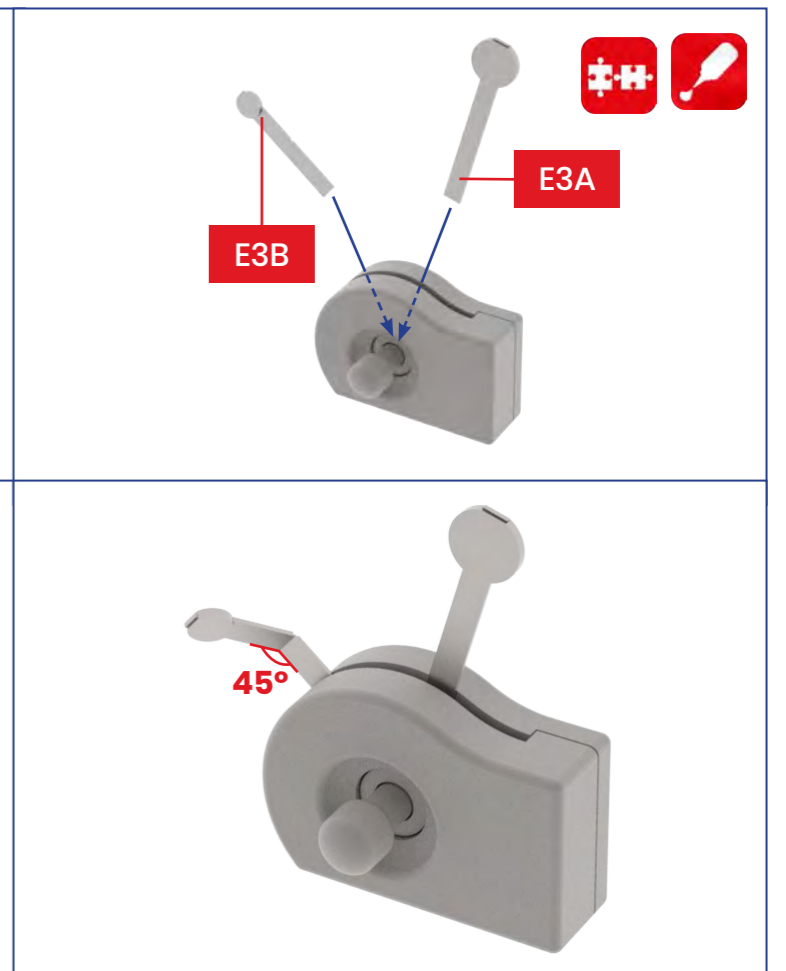
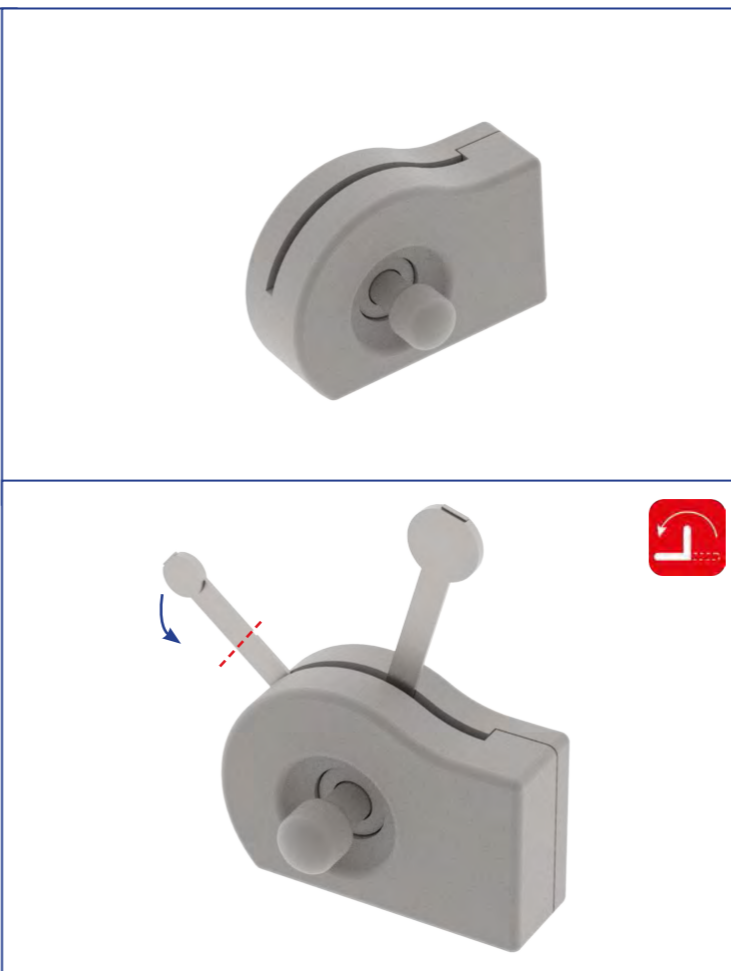
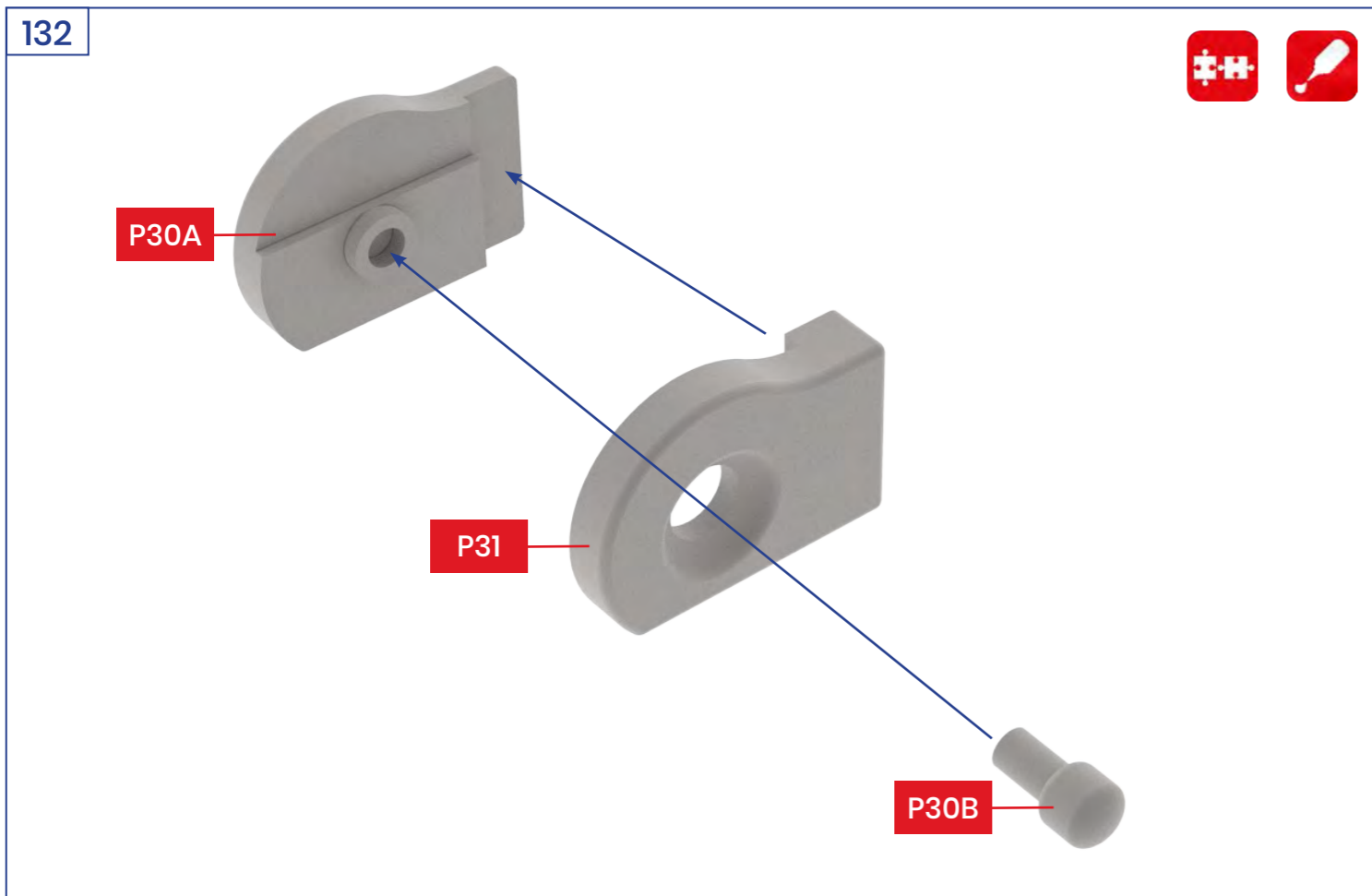
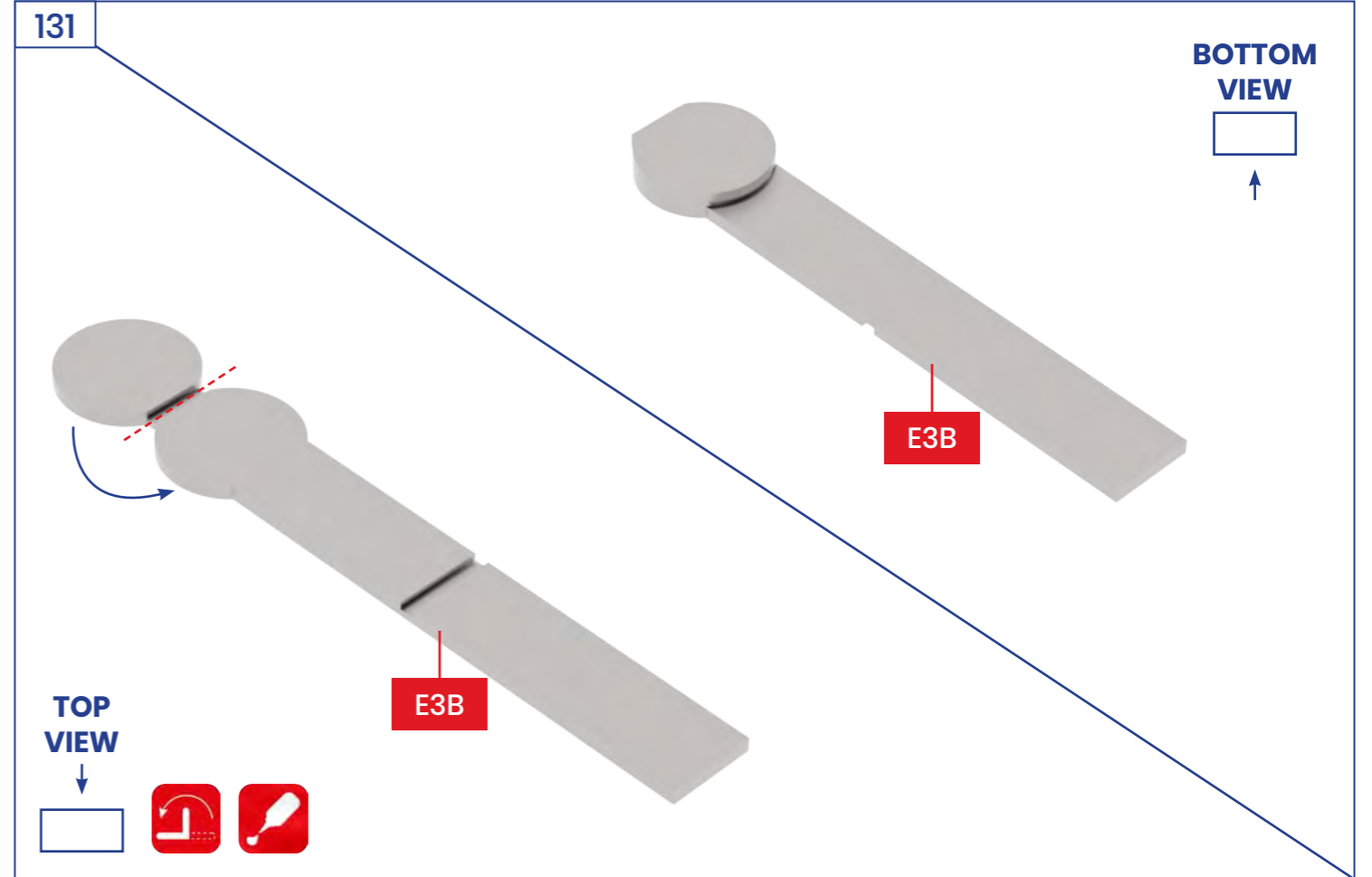
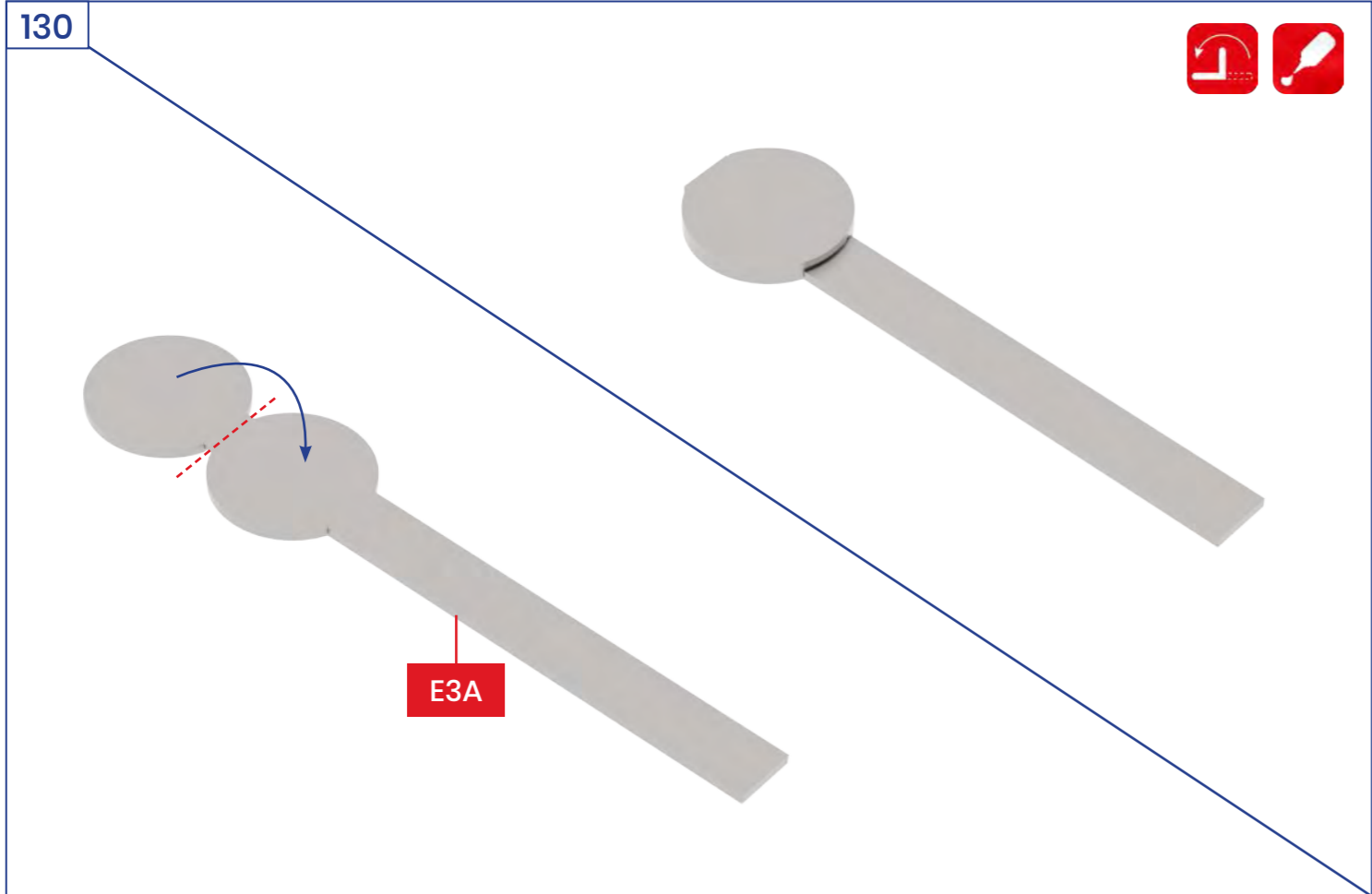


128

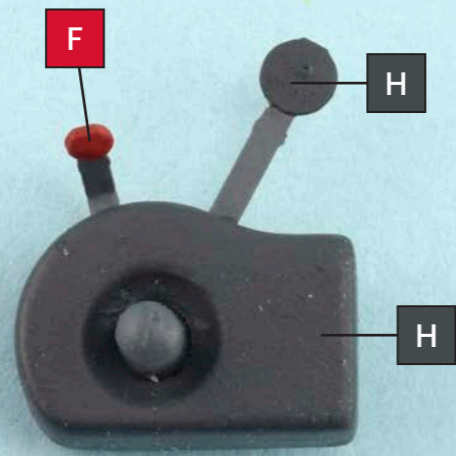


129

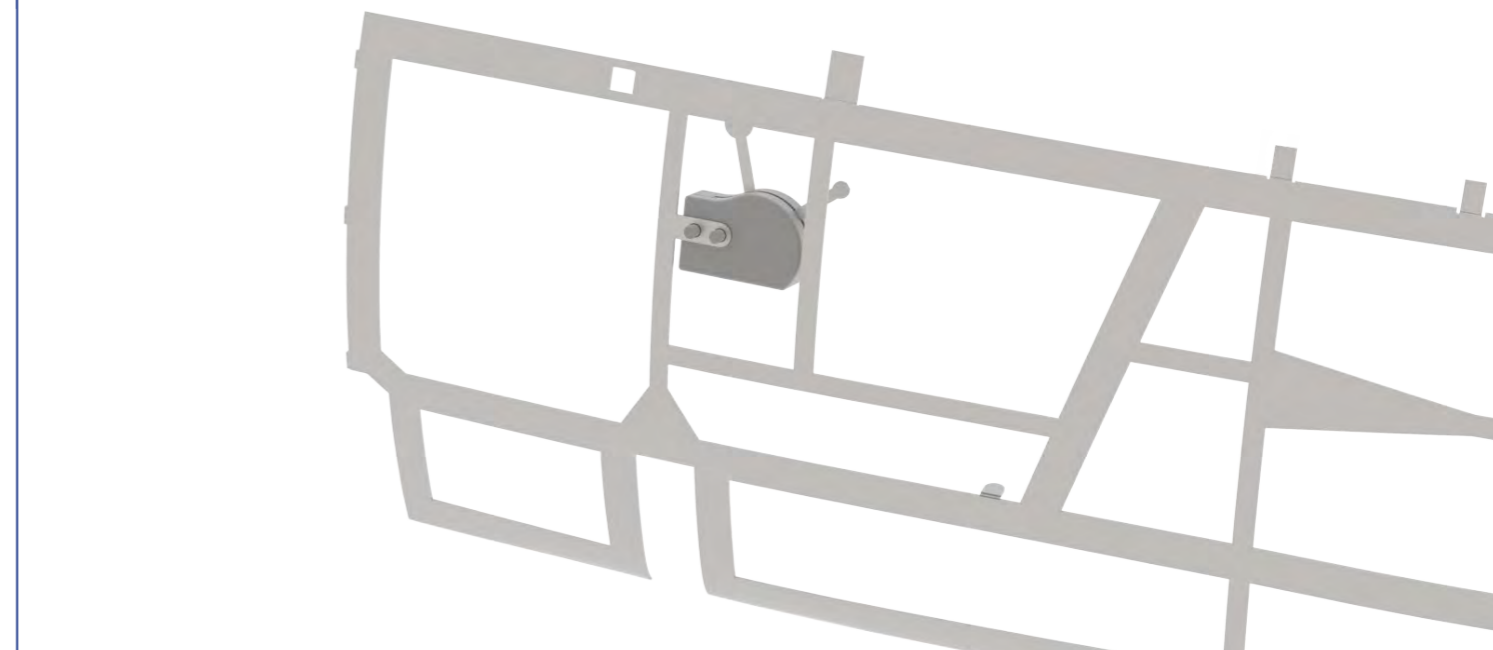
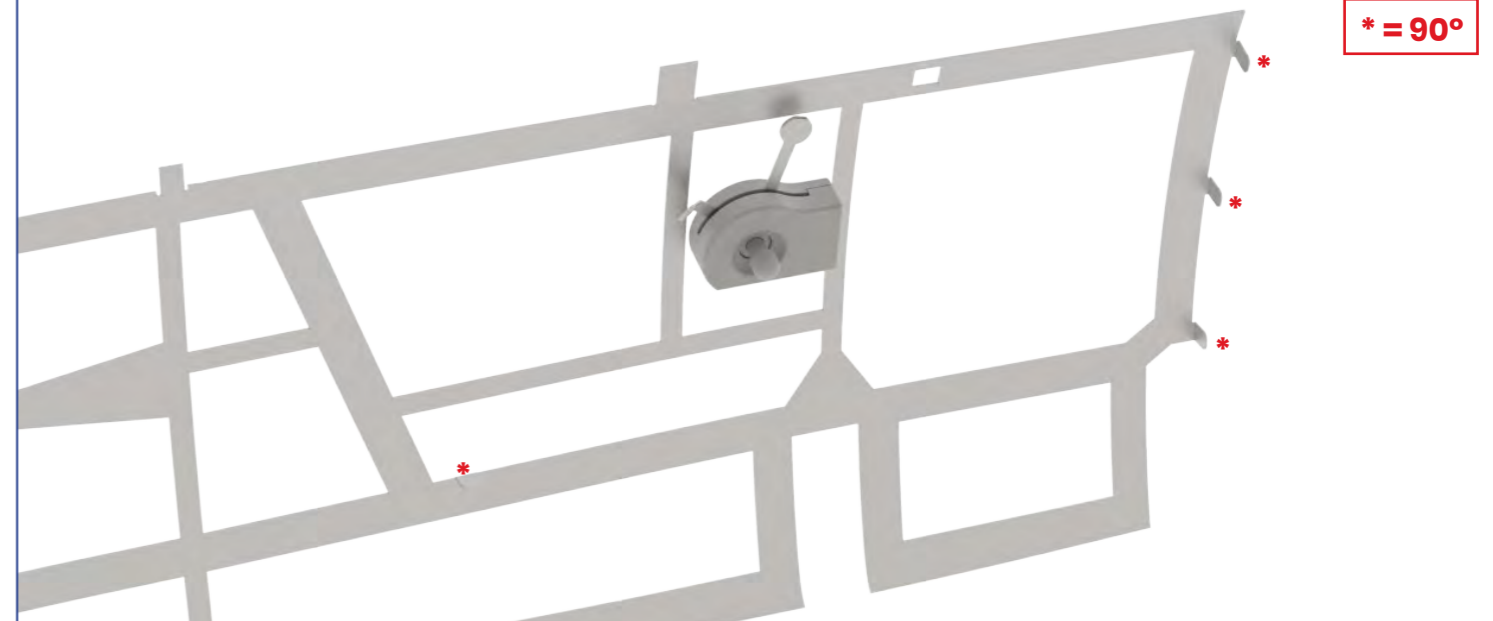
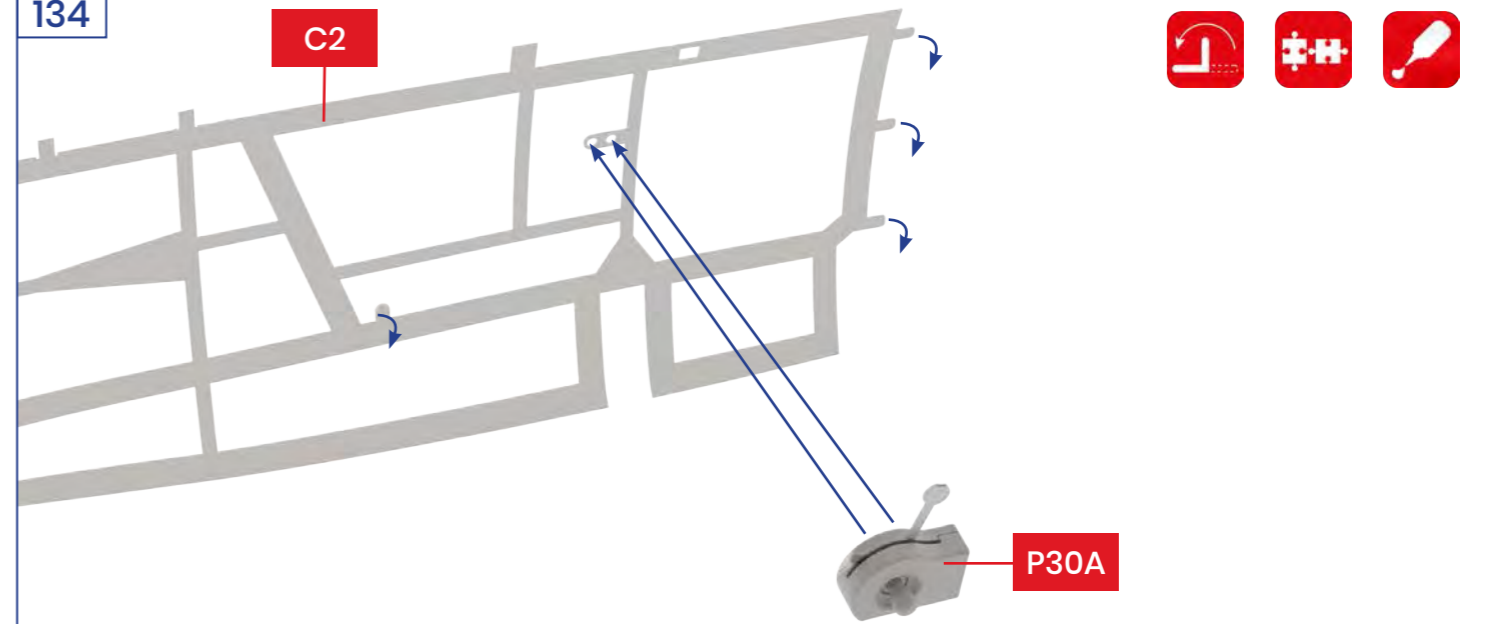




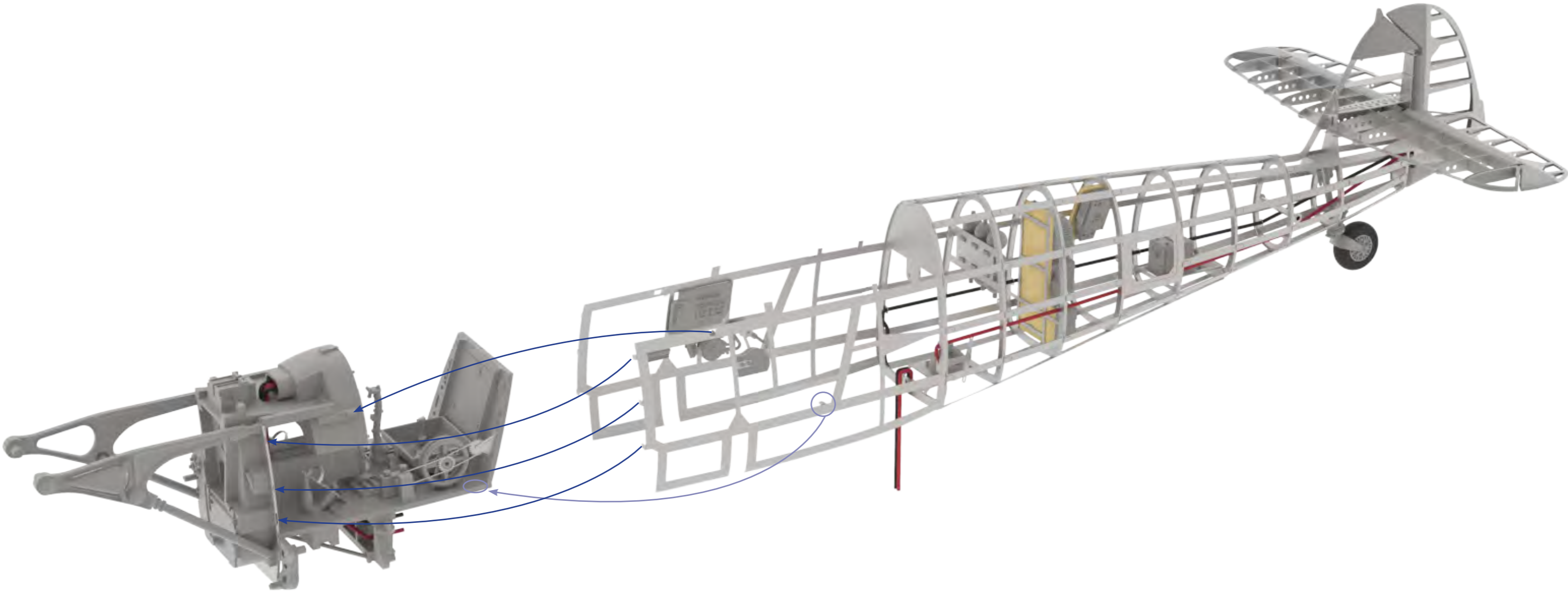
133

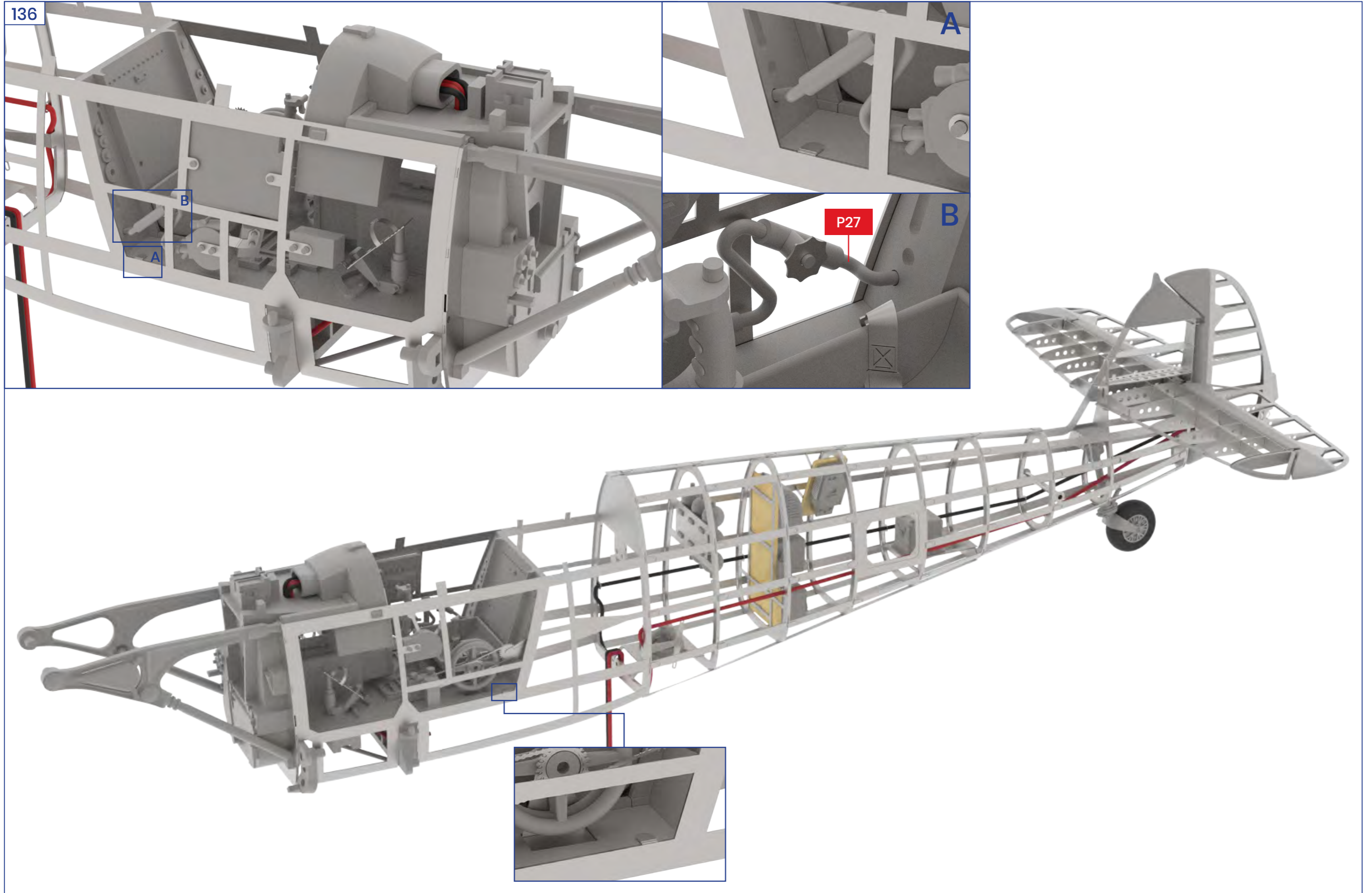


134



135

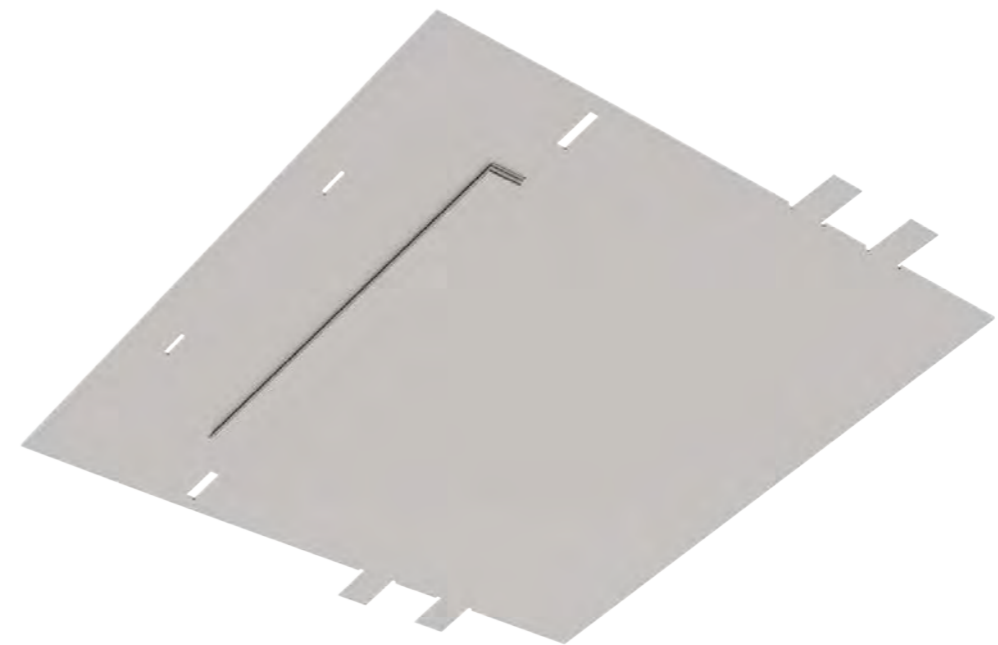
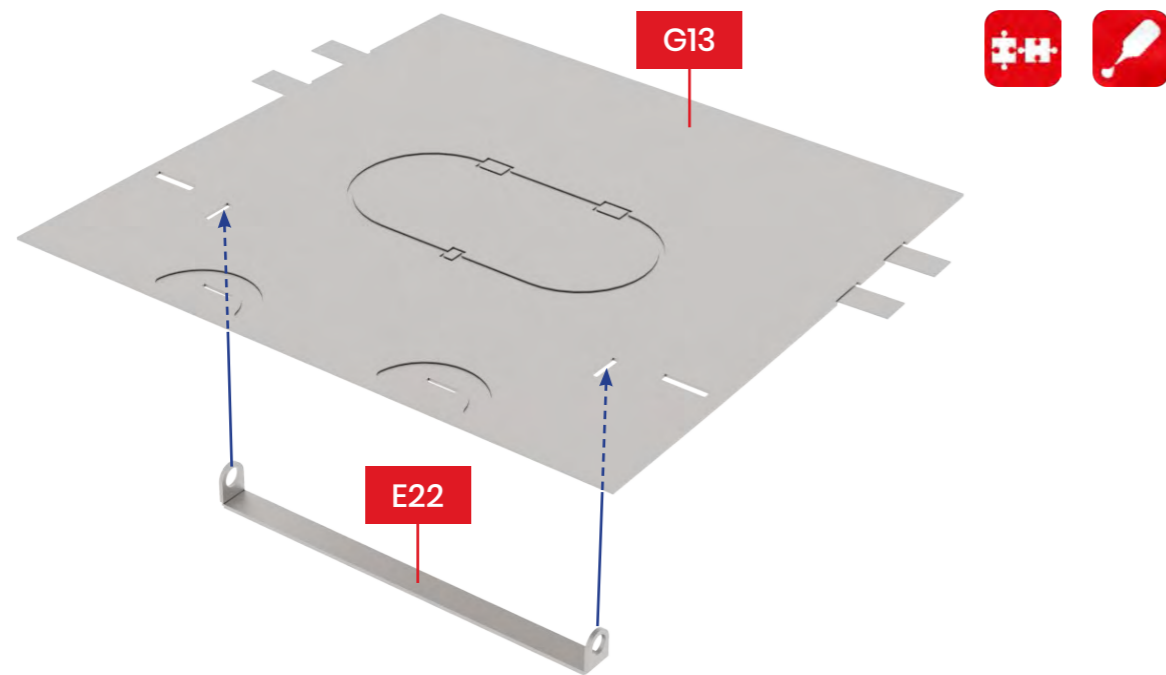




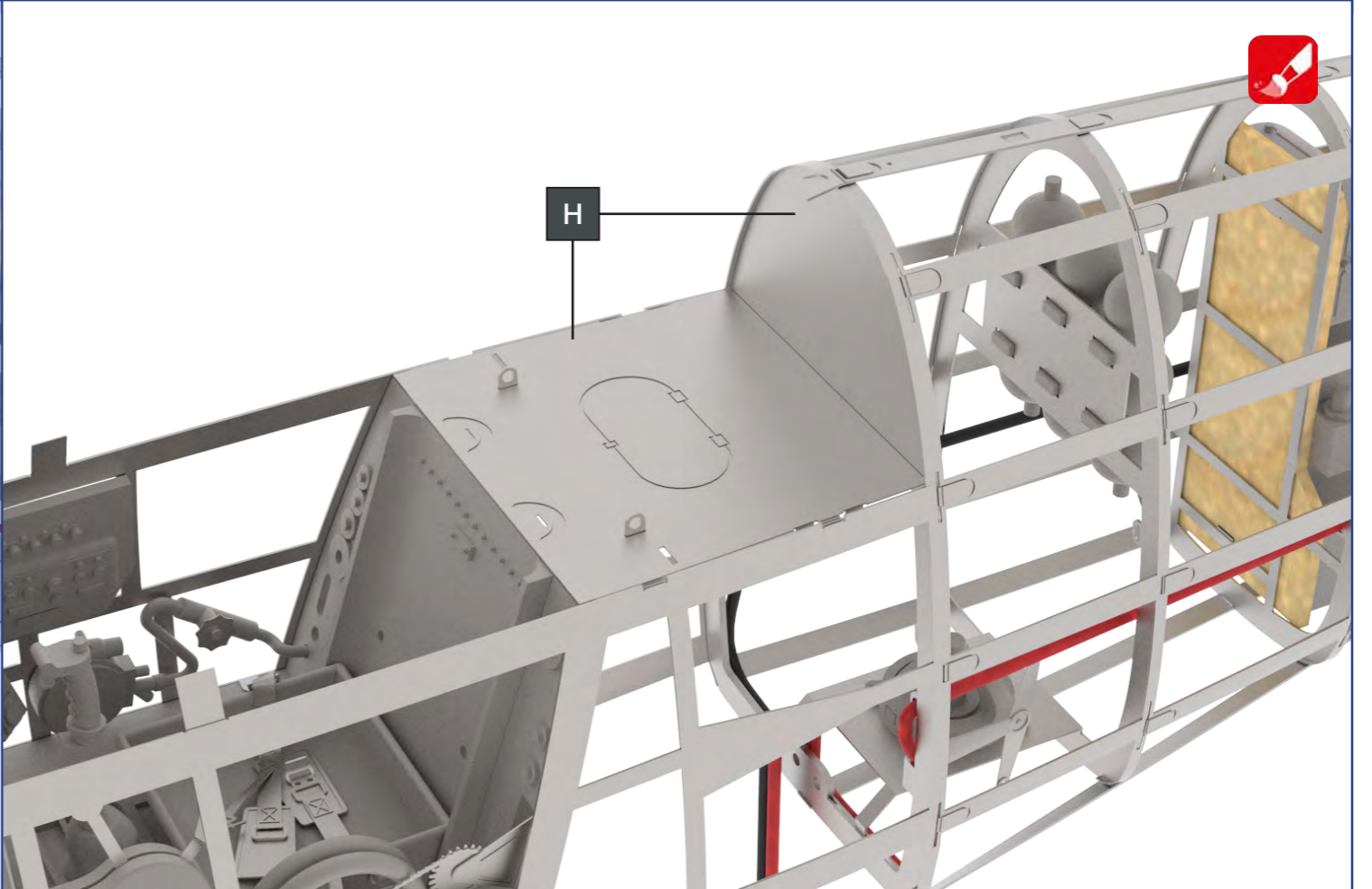
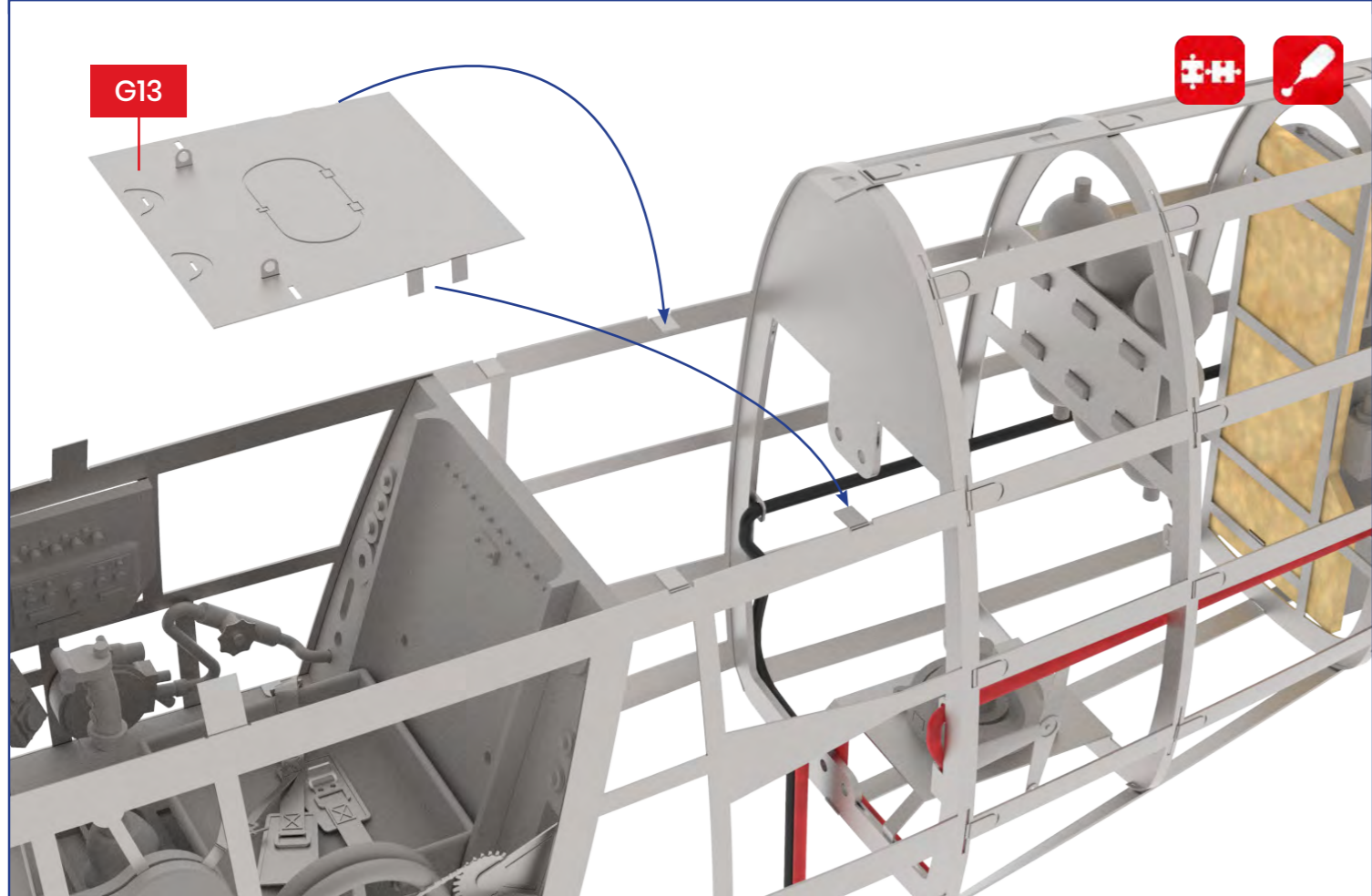
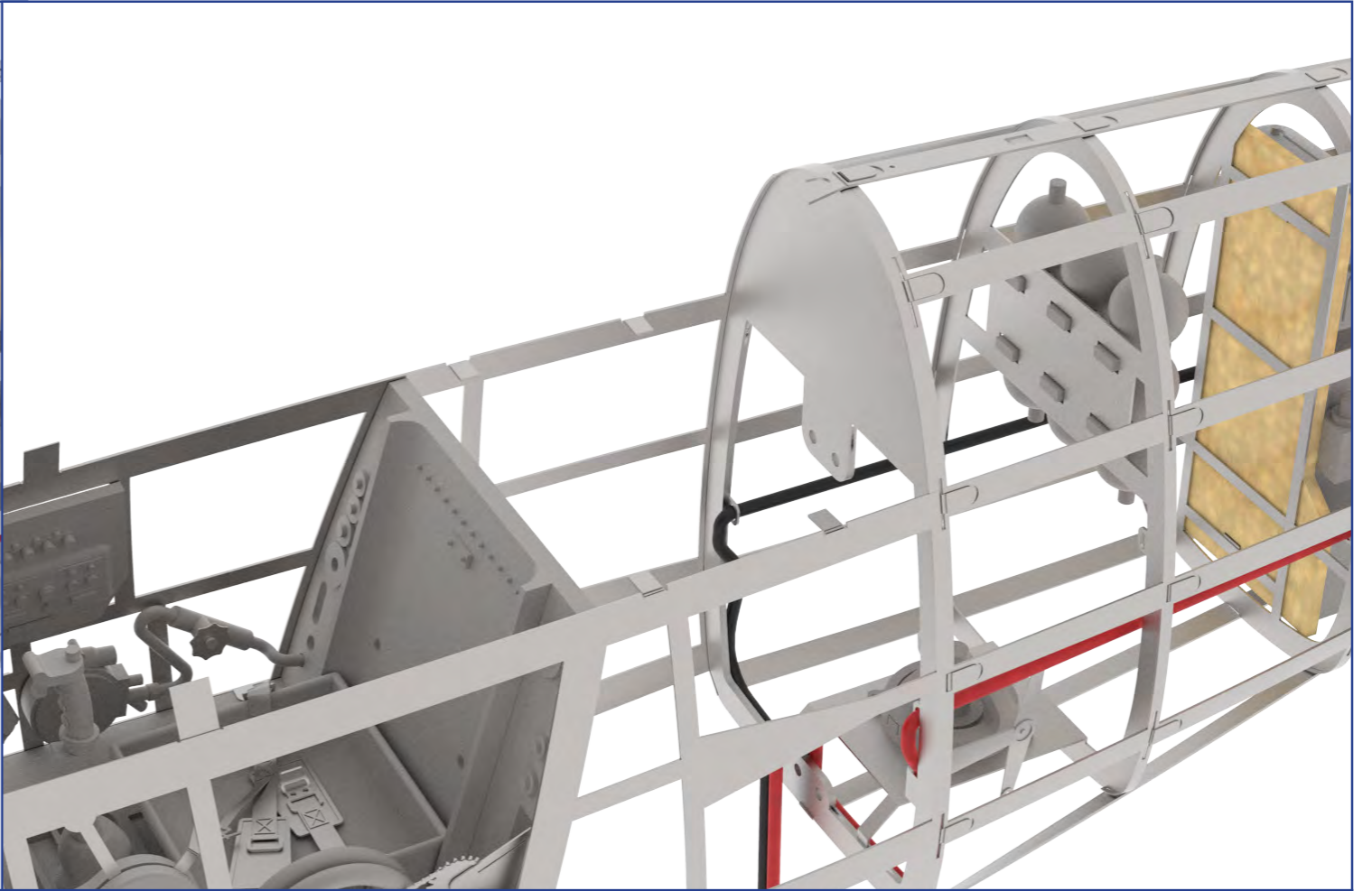
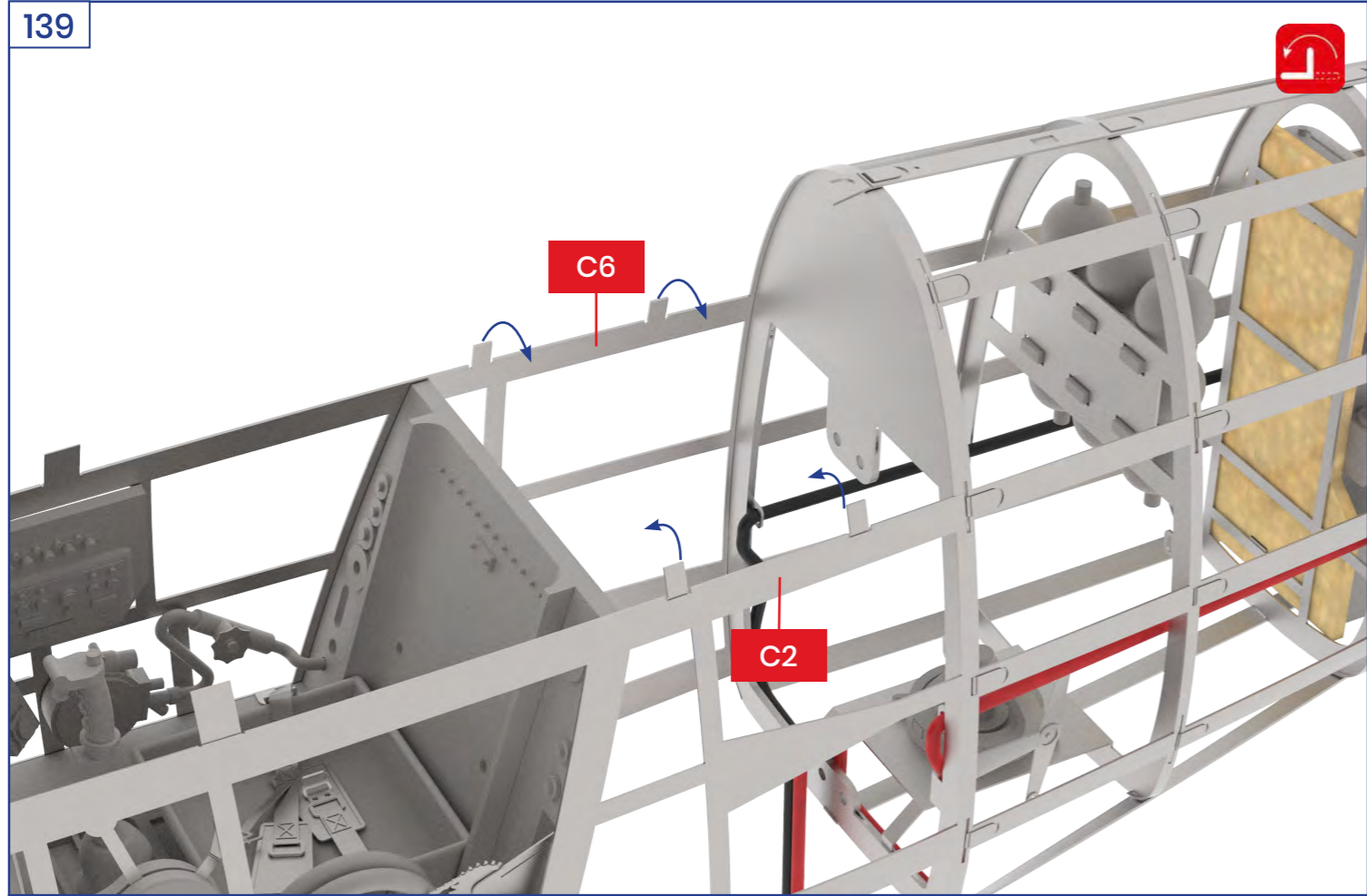
137

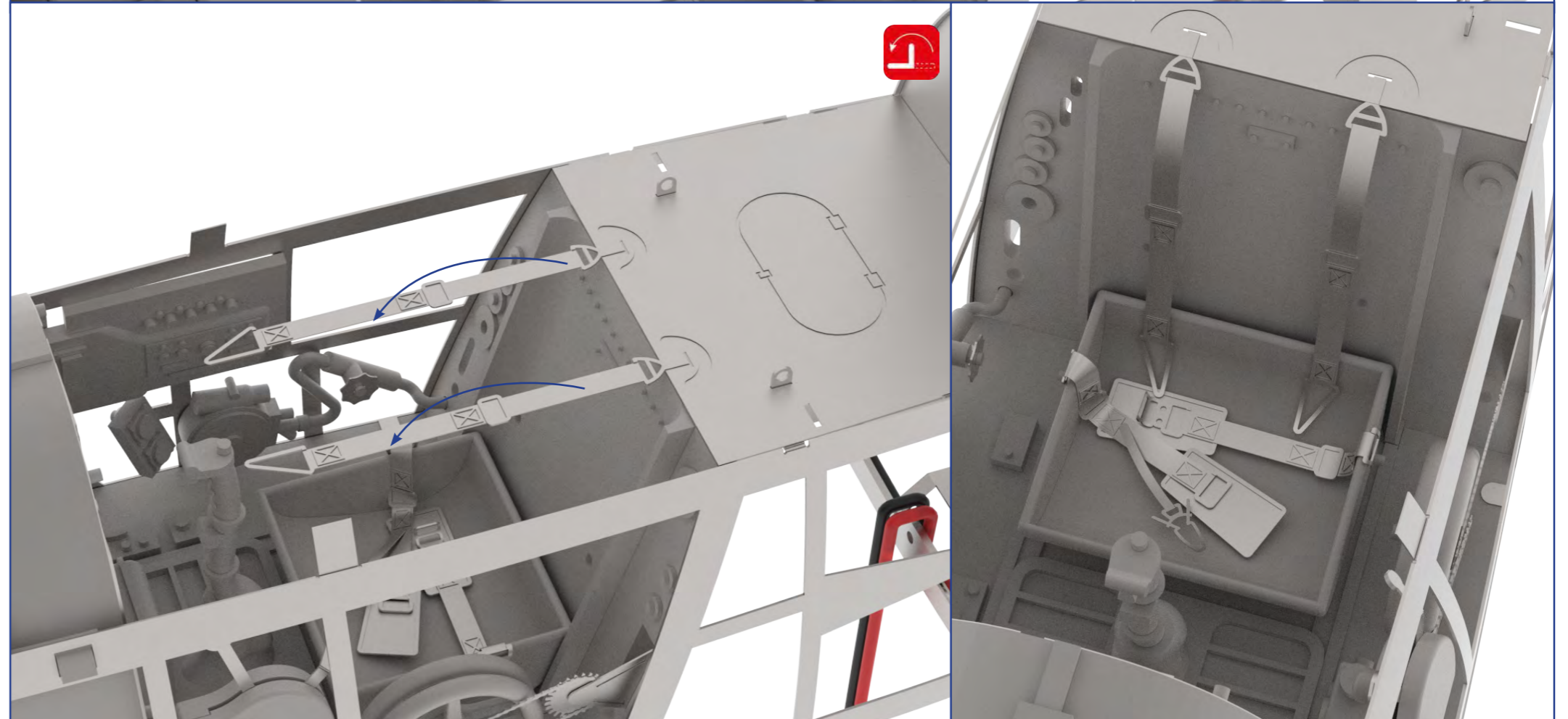
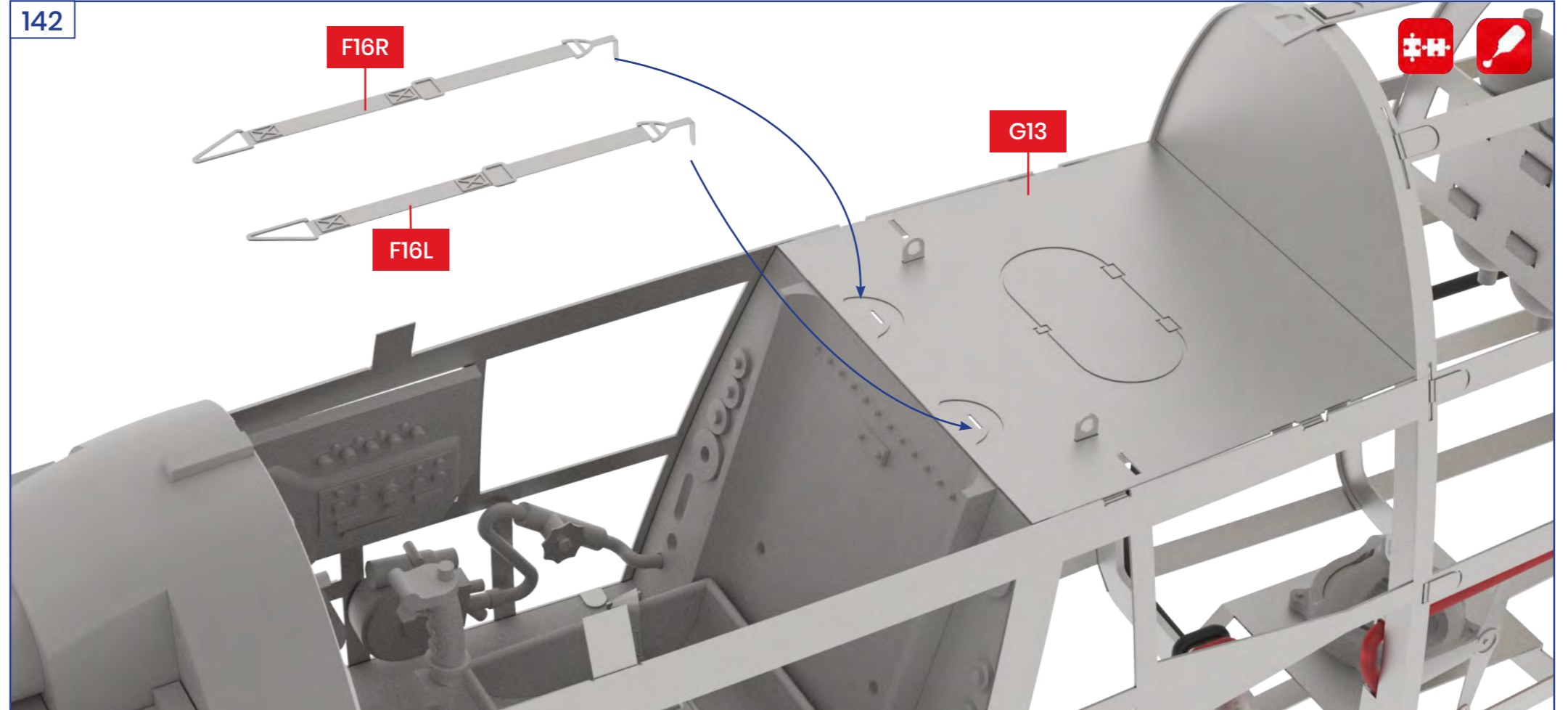
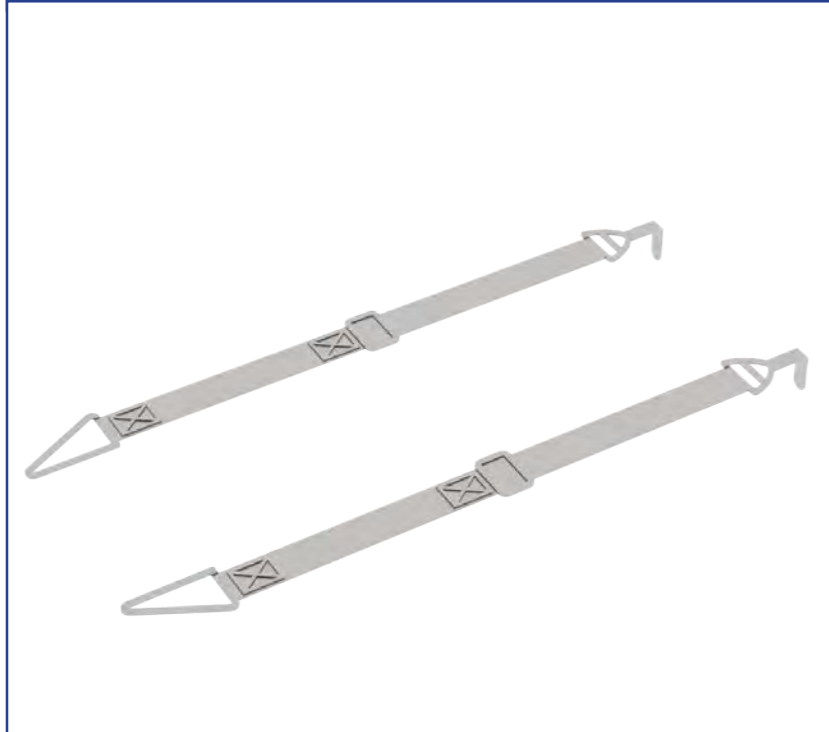
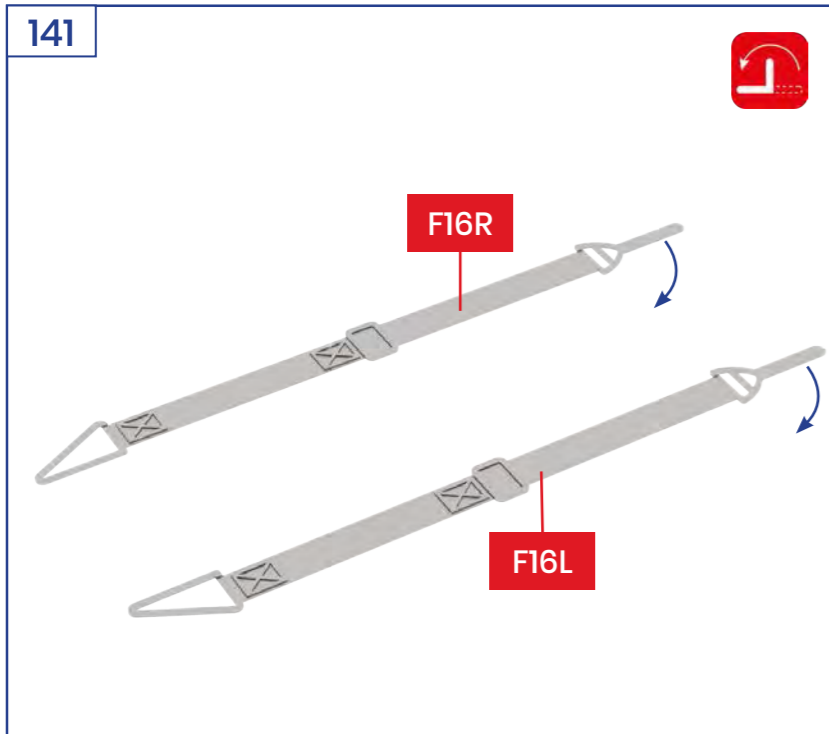
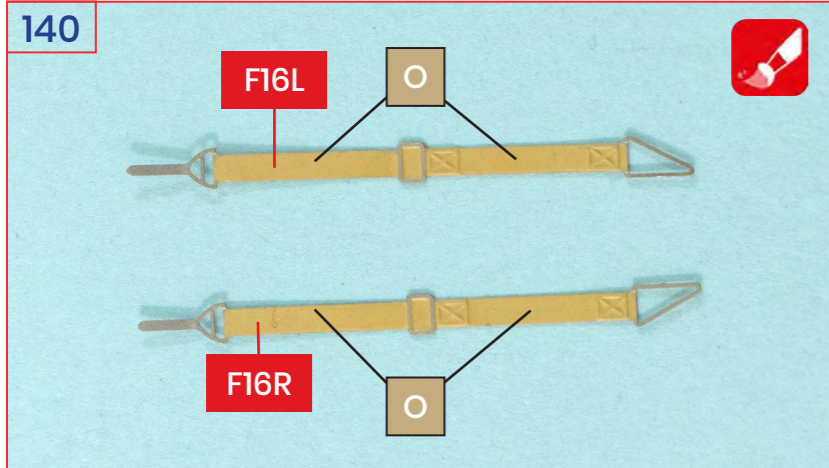


138

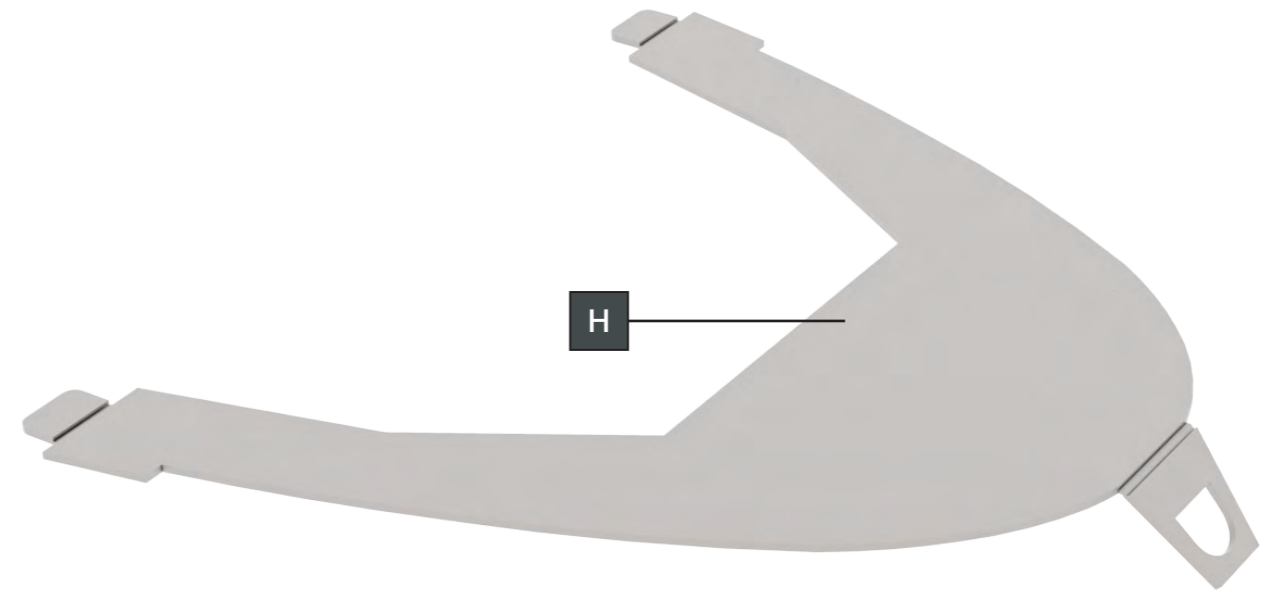
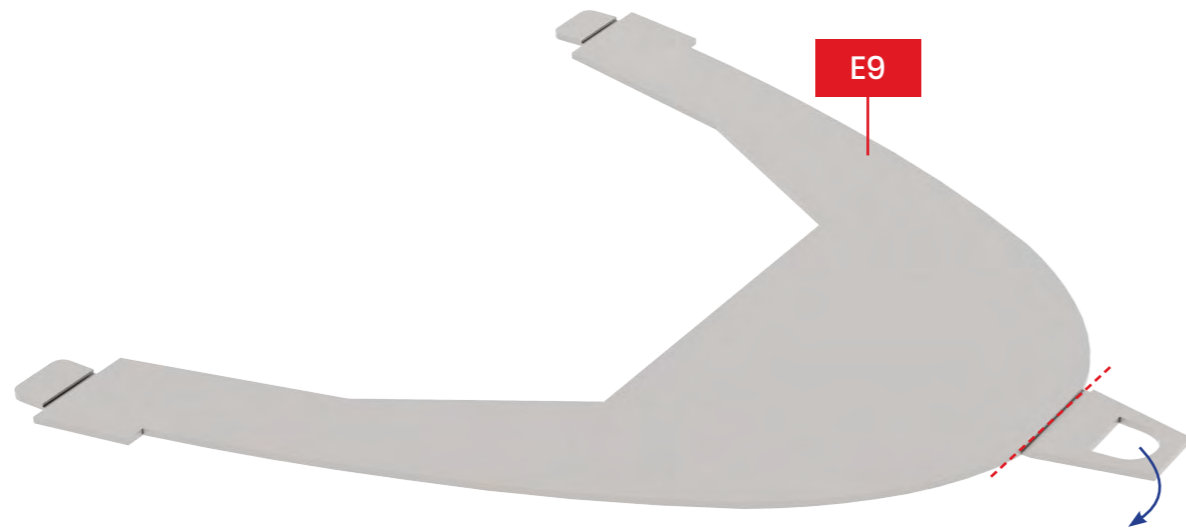


139



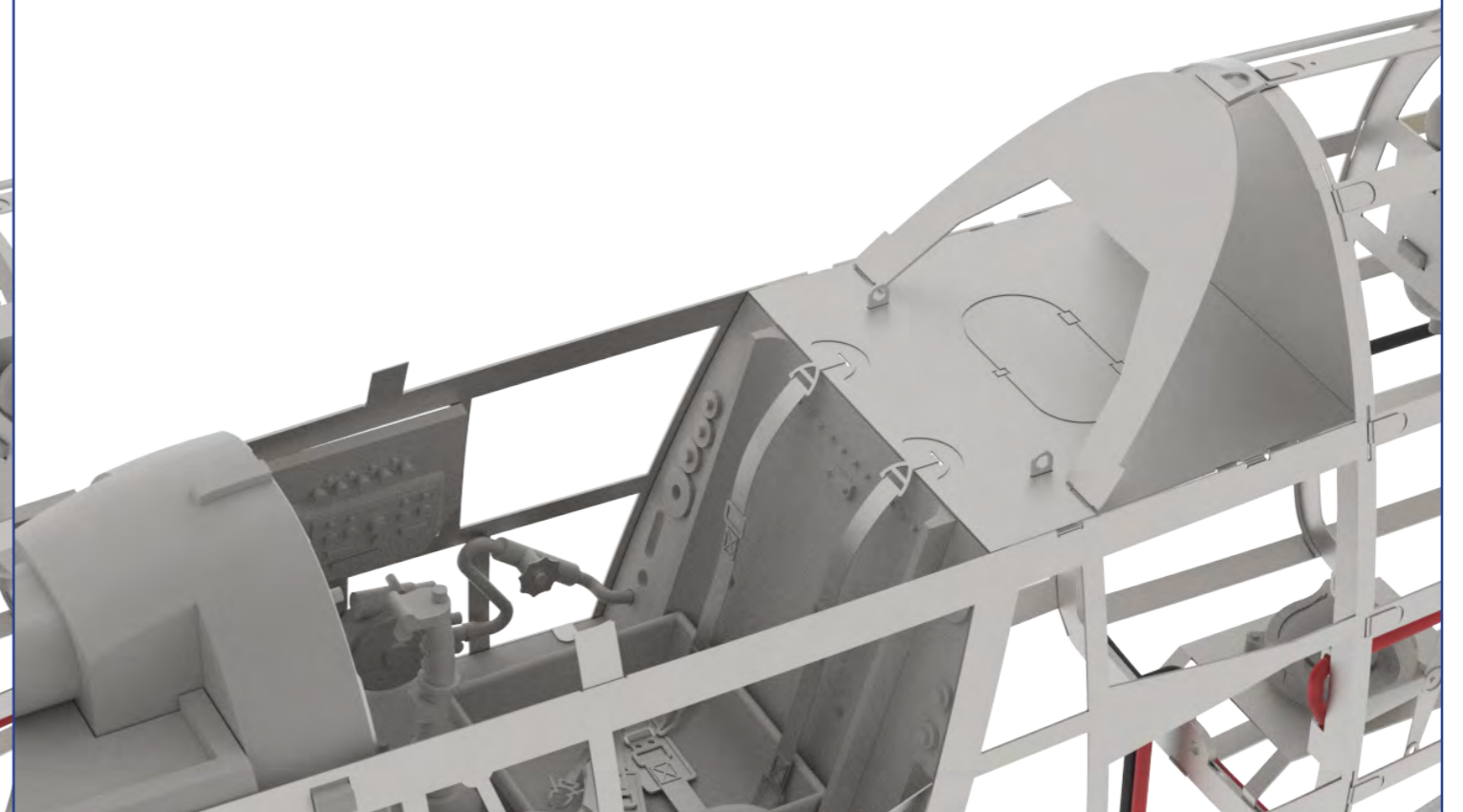
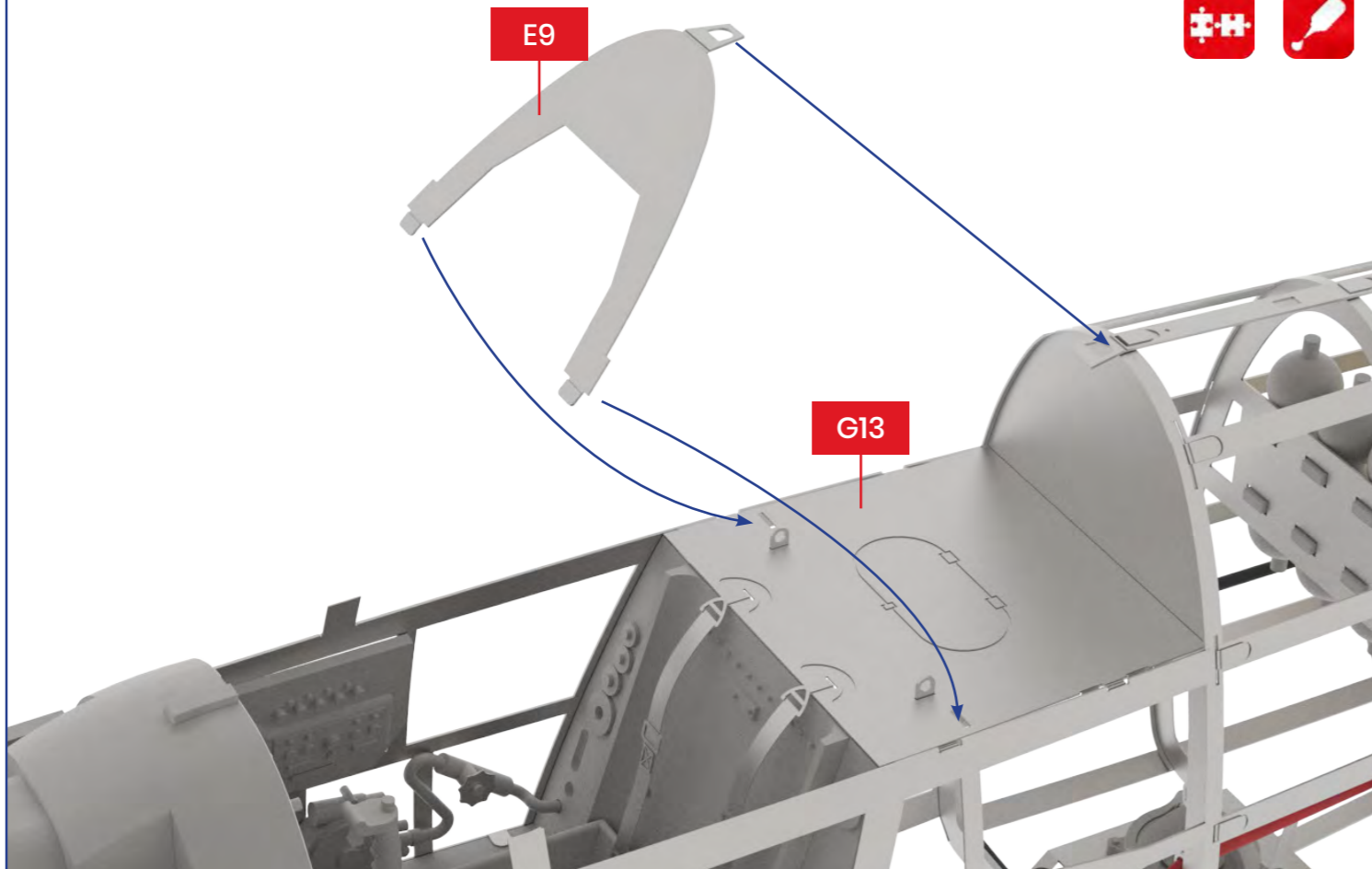


143

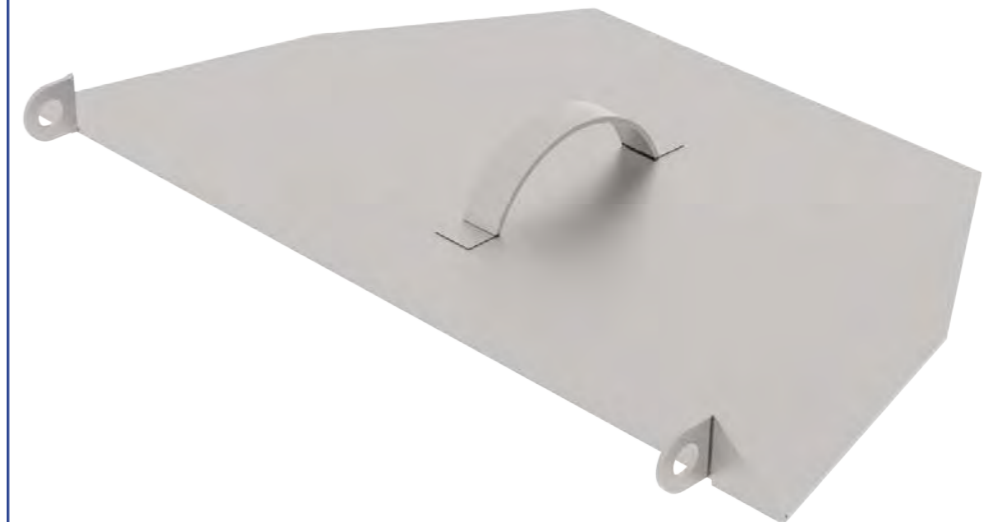
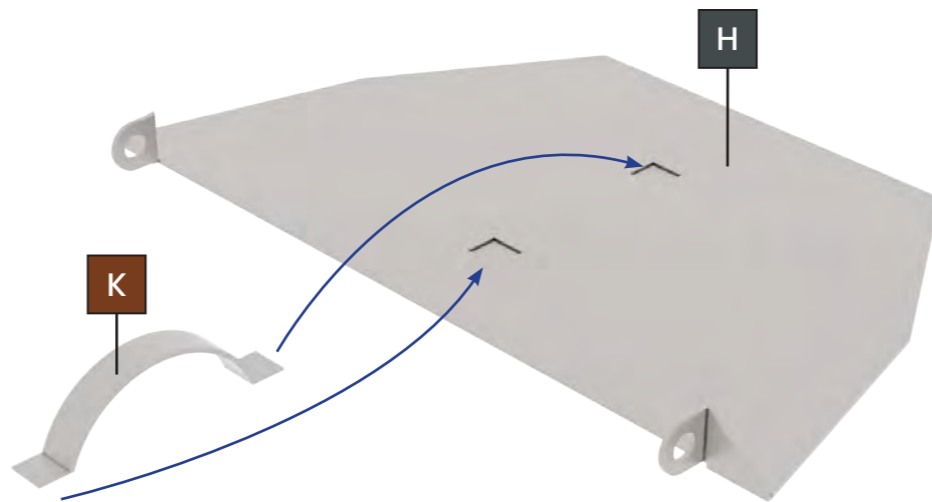
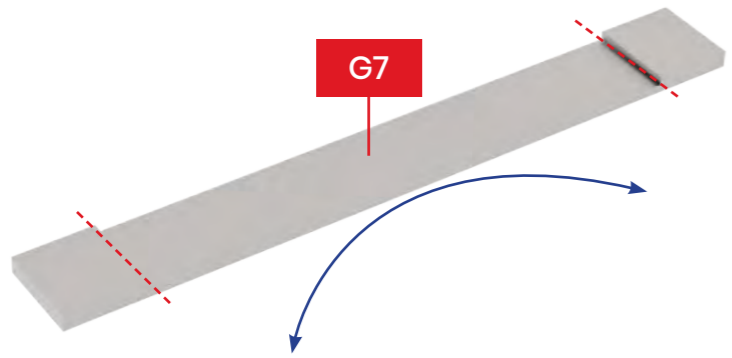
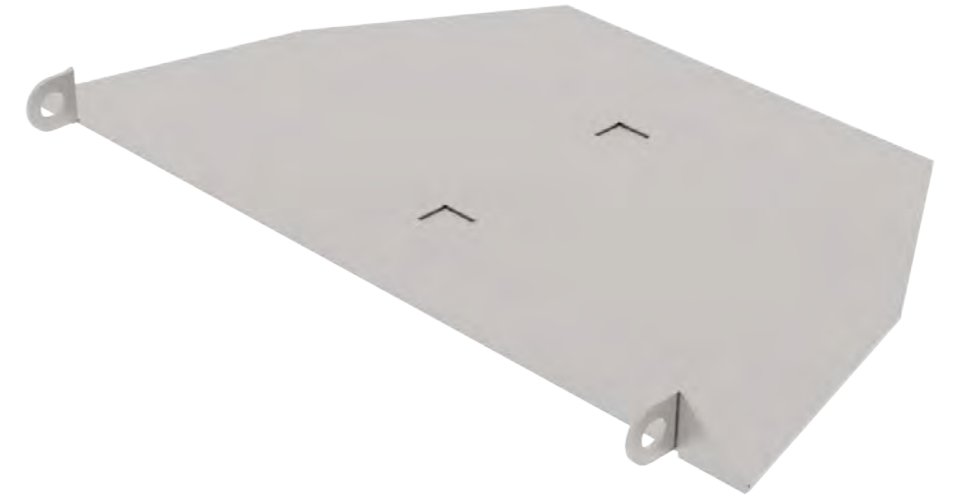
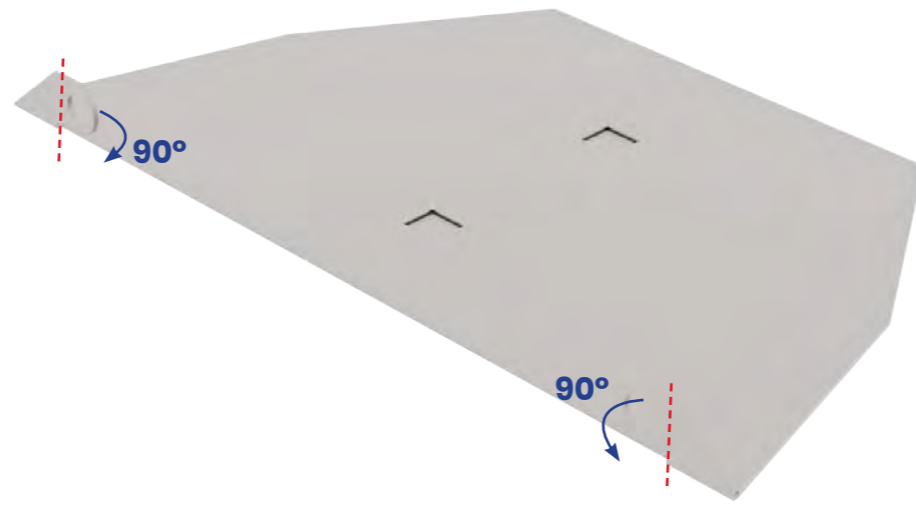
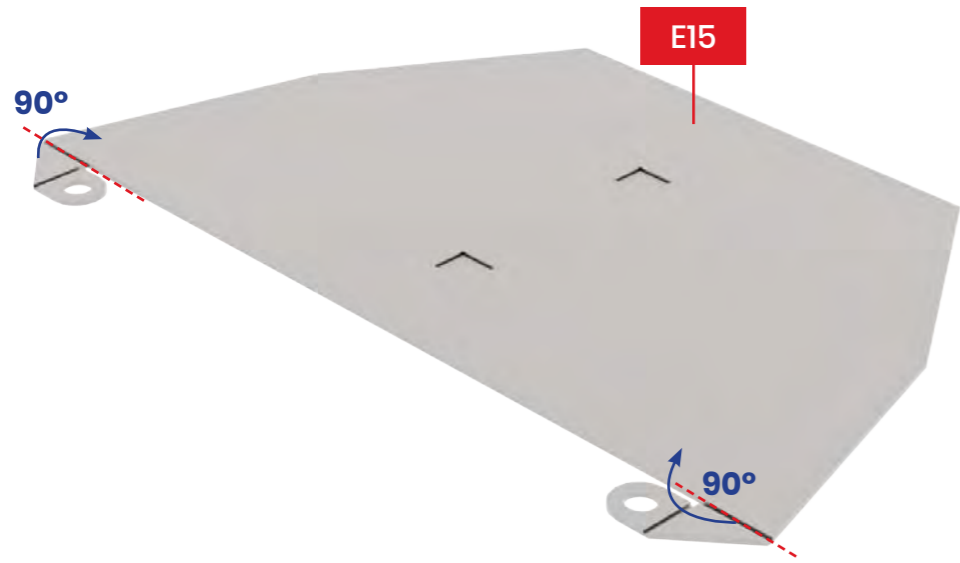


E9

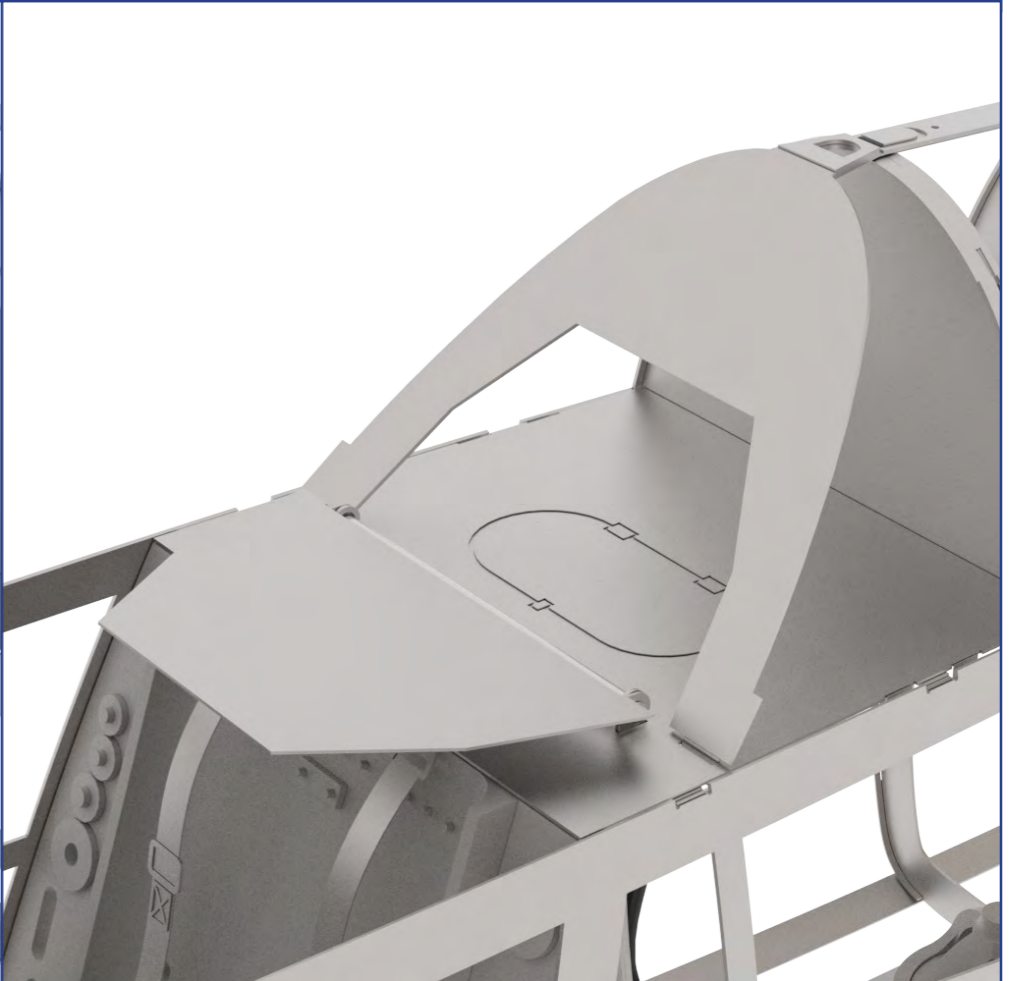
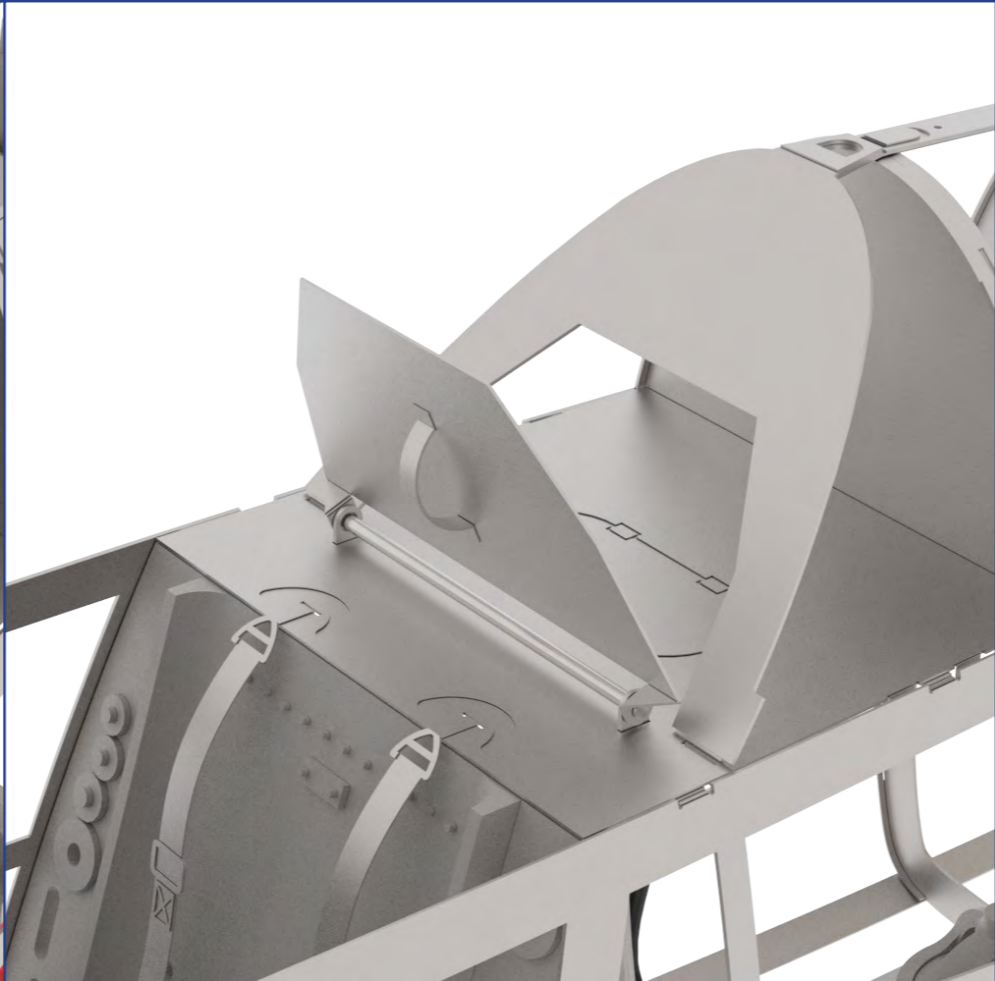
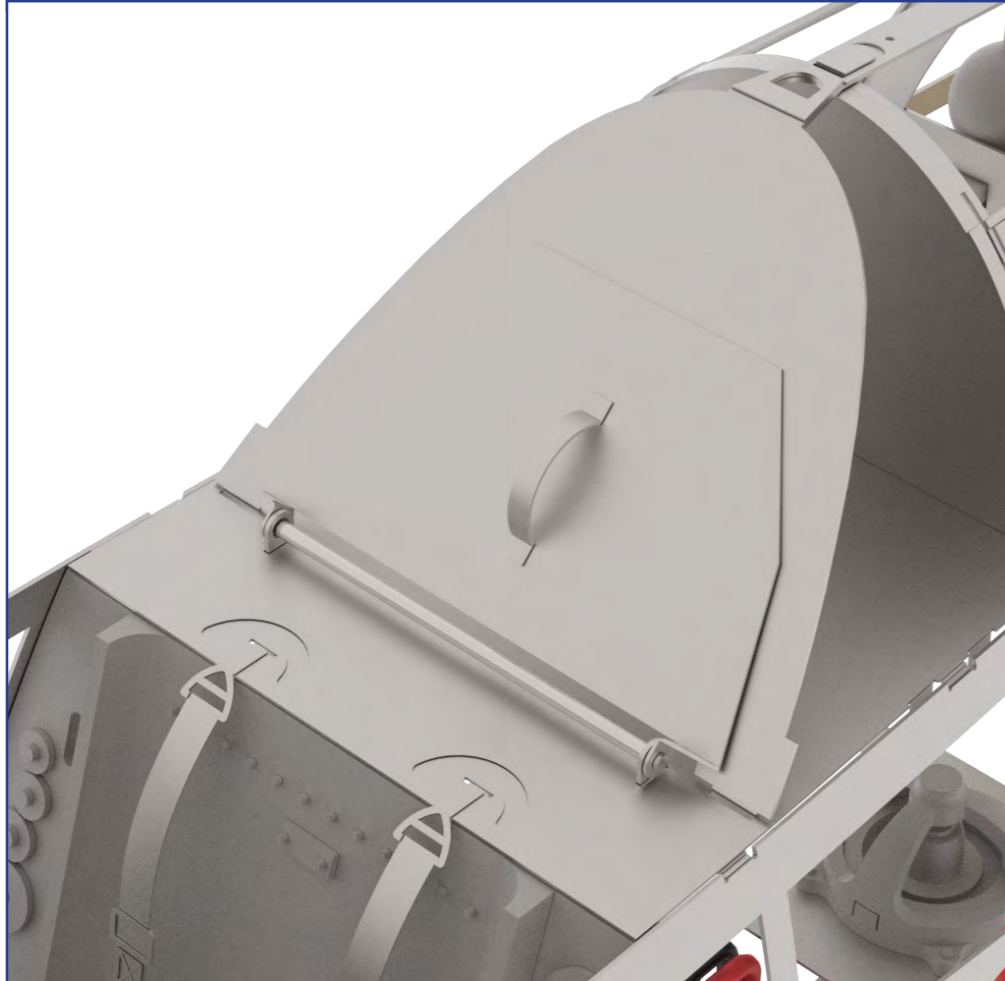
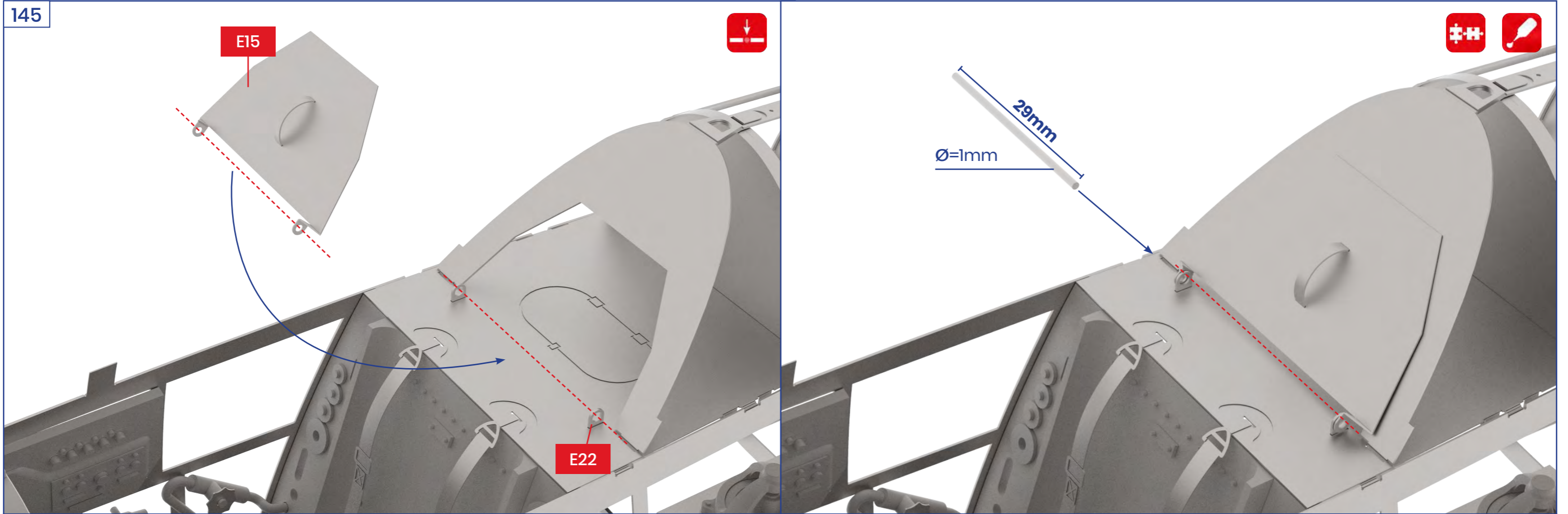
G13



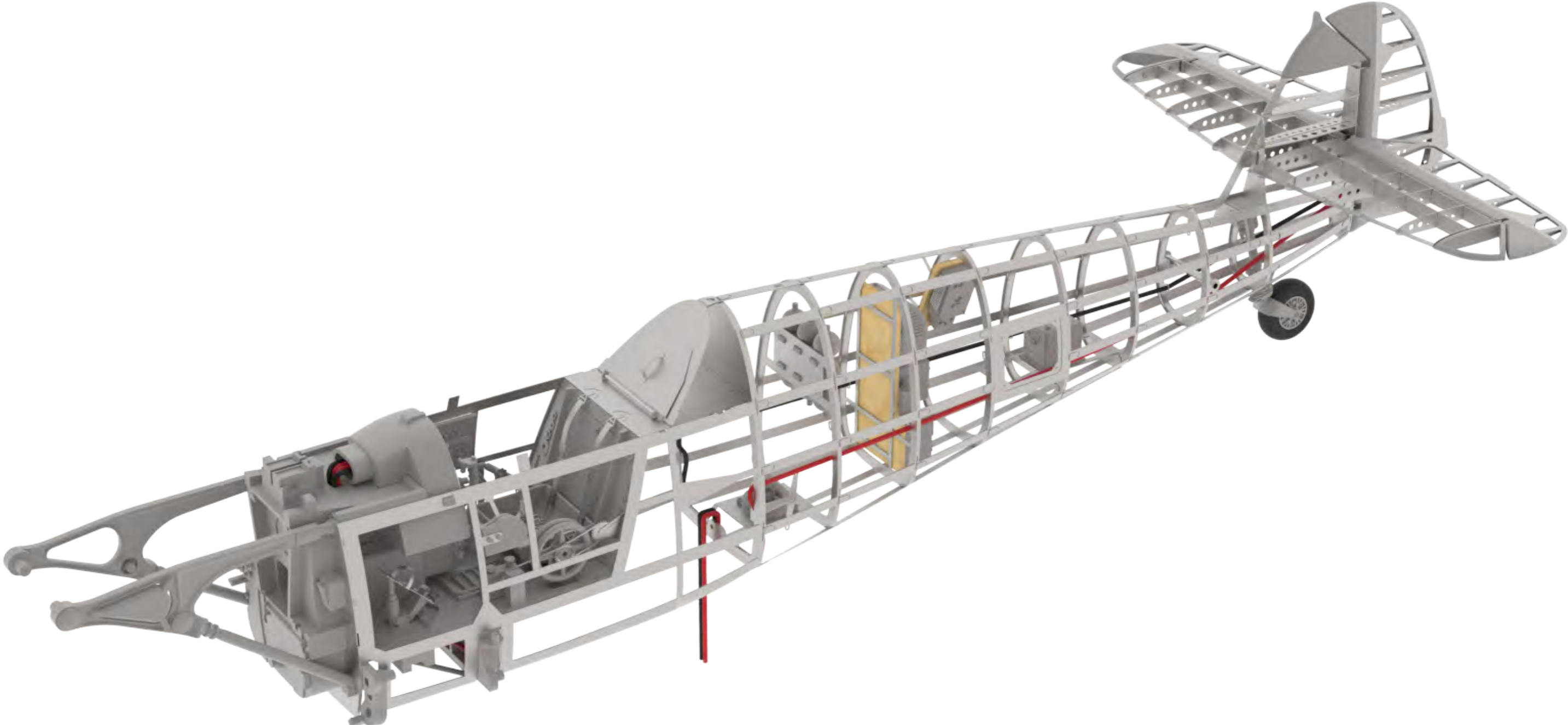
144



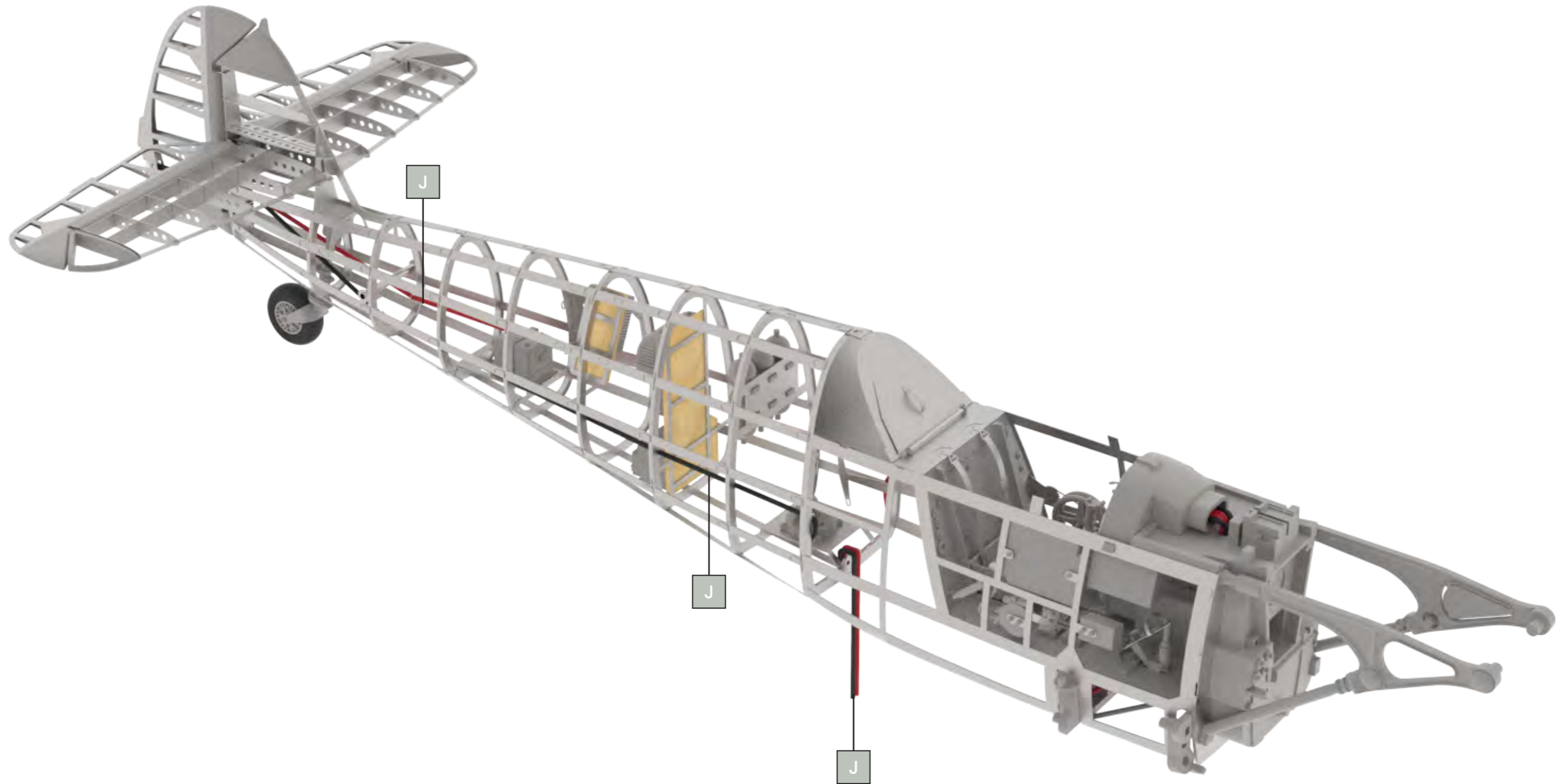
145



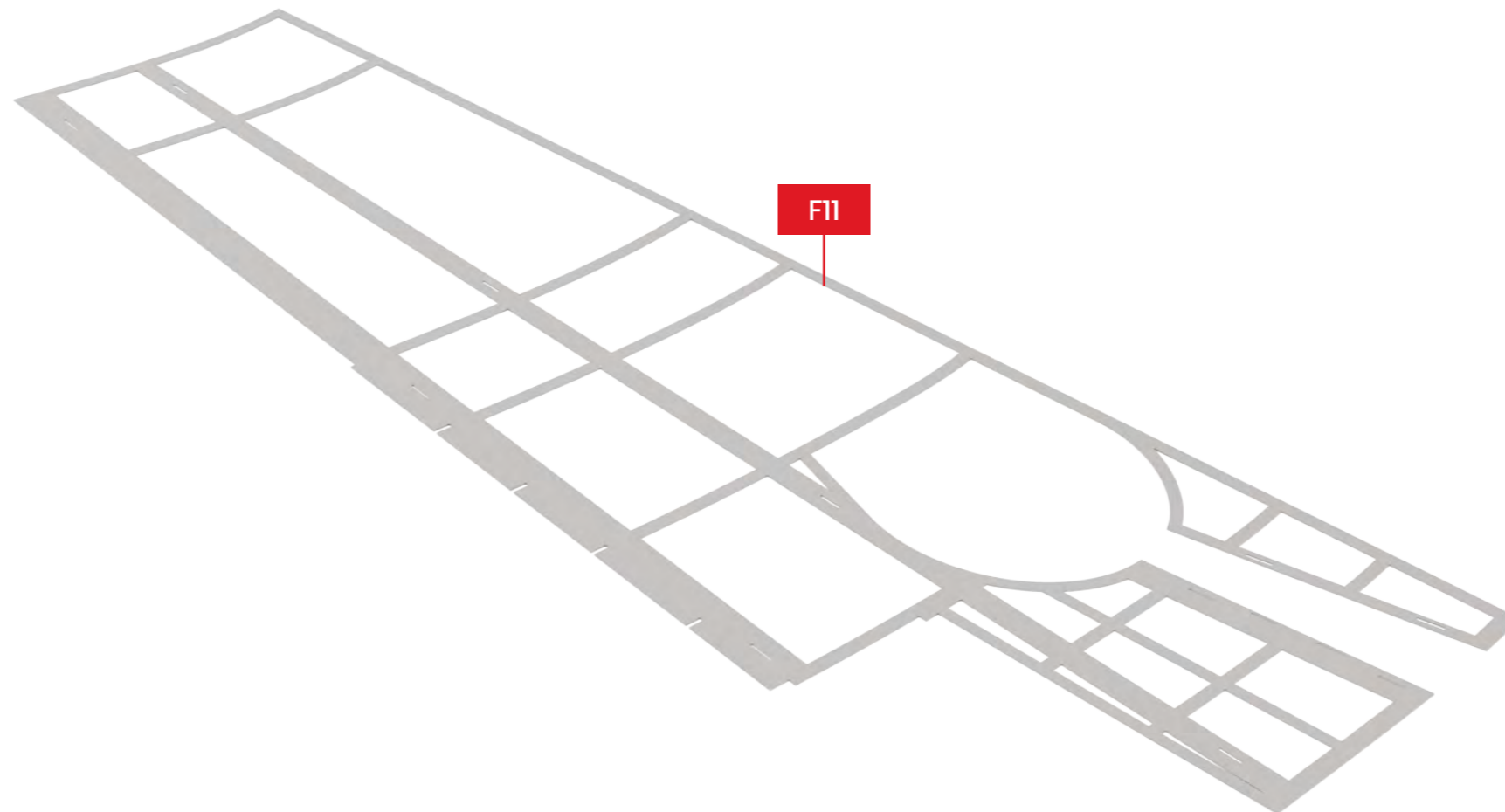
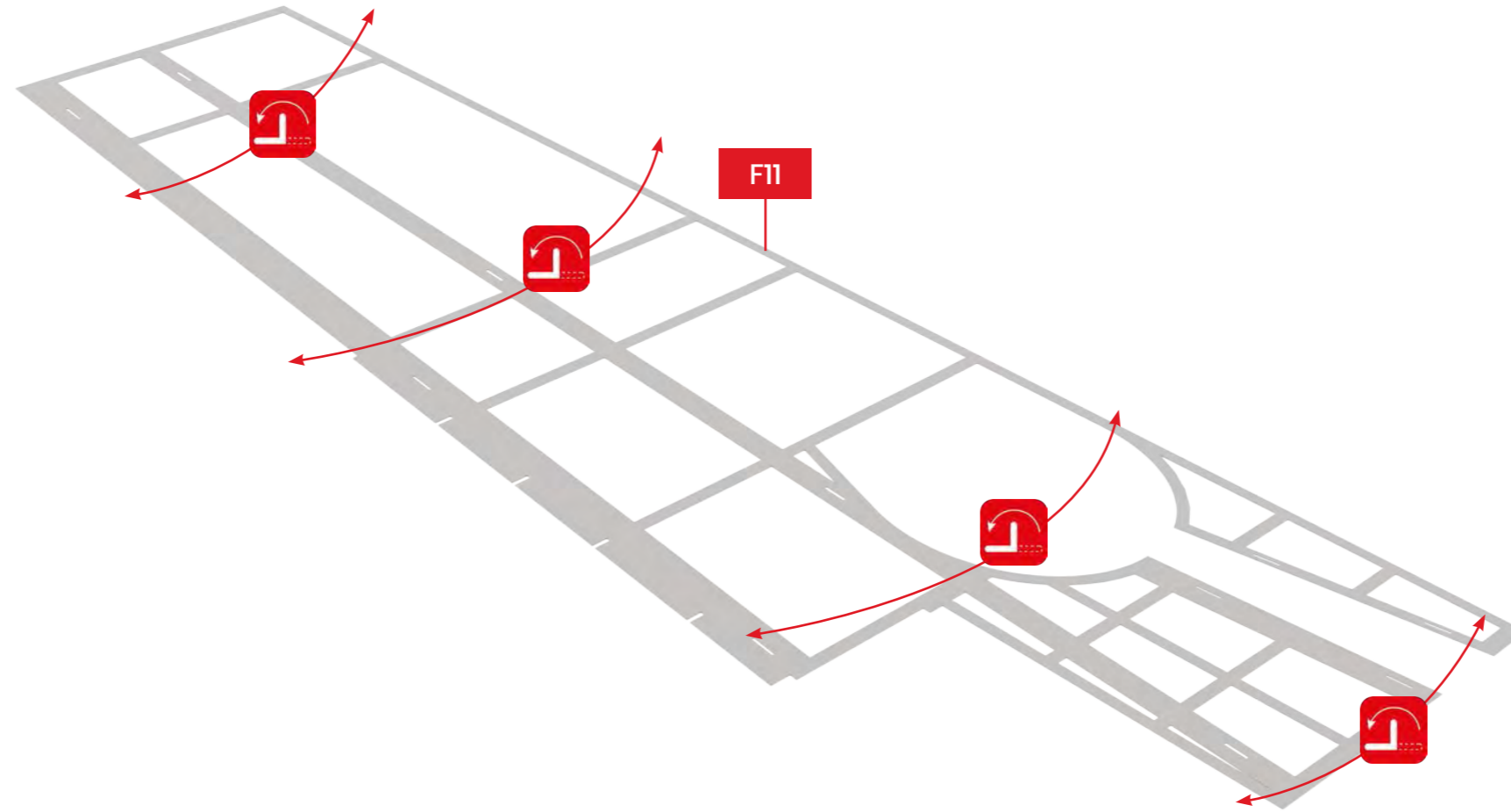
146



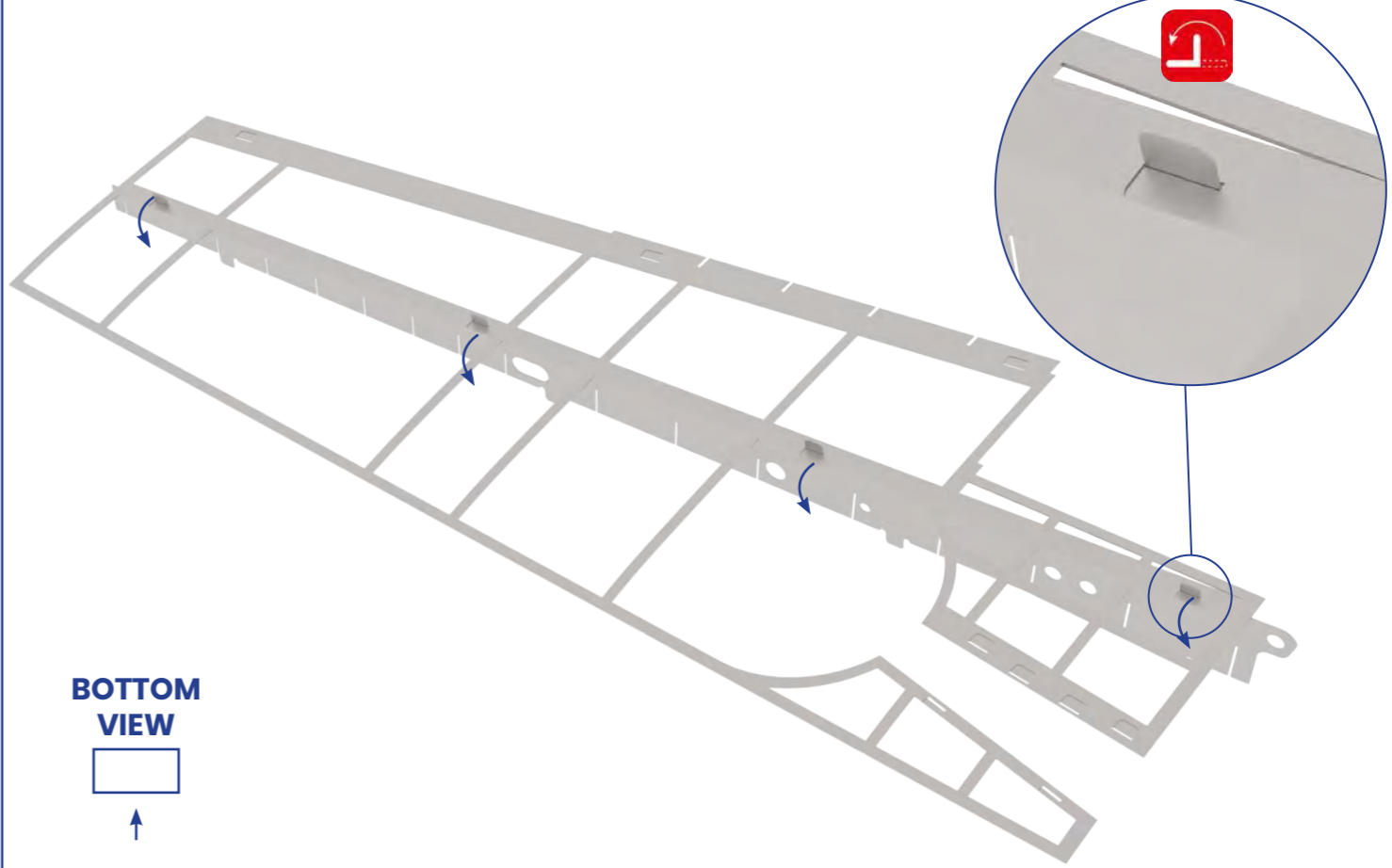
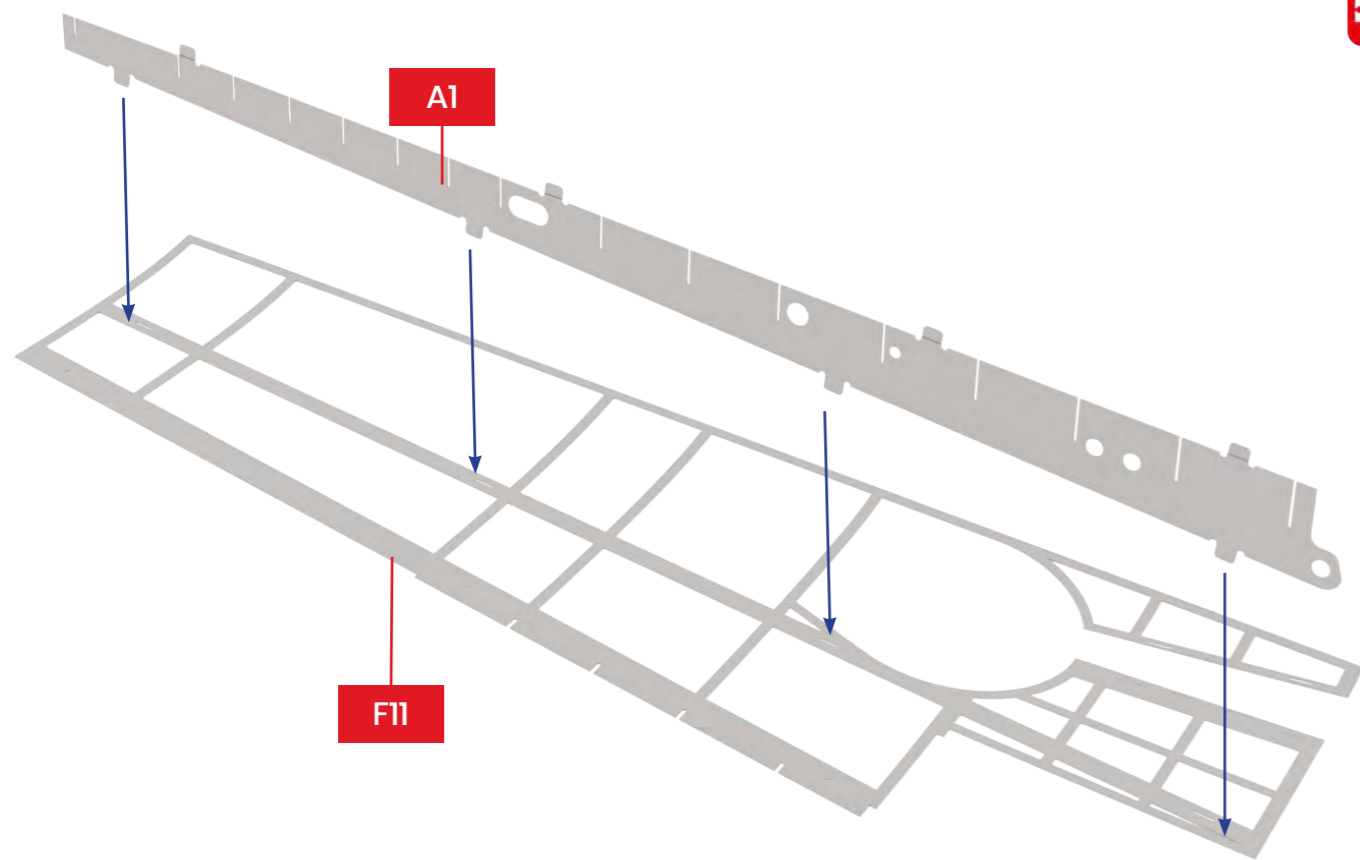
147



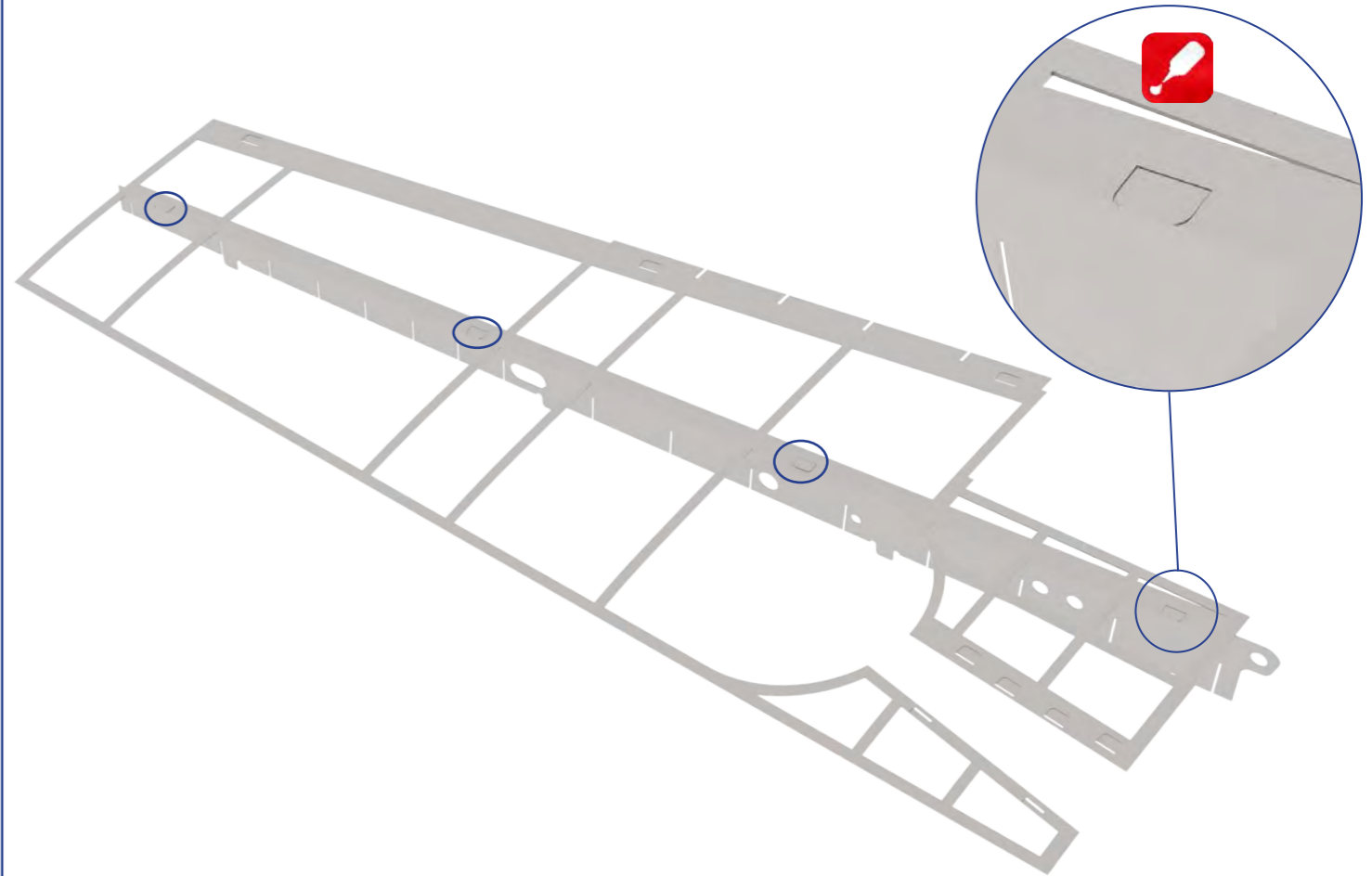
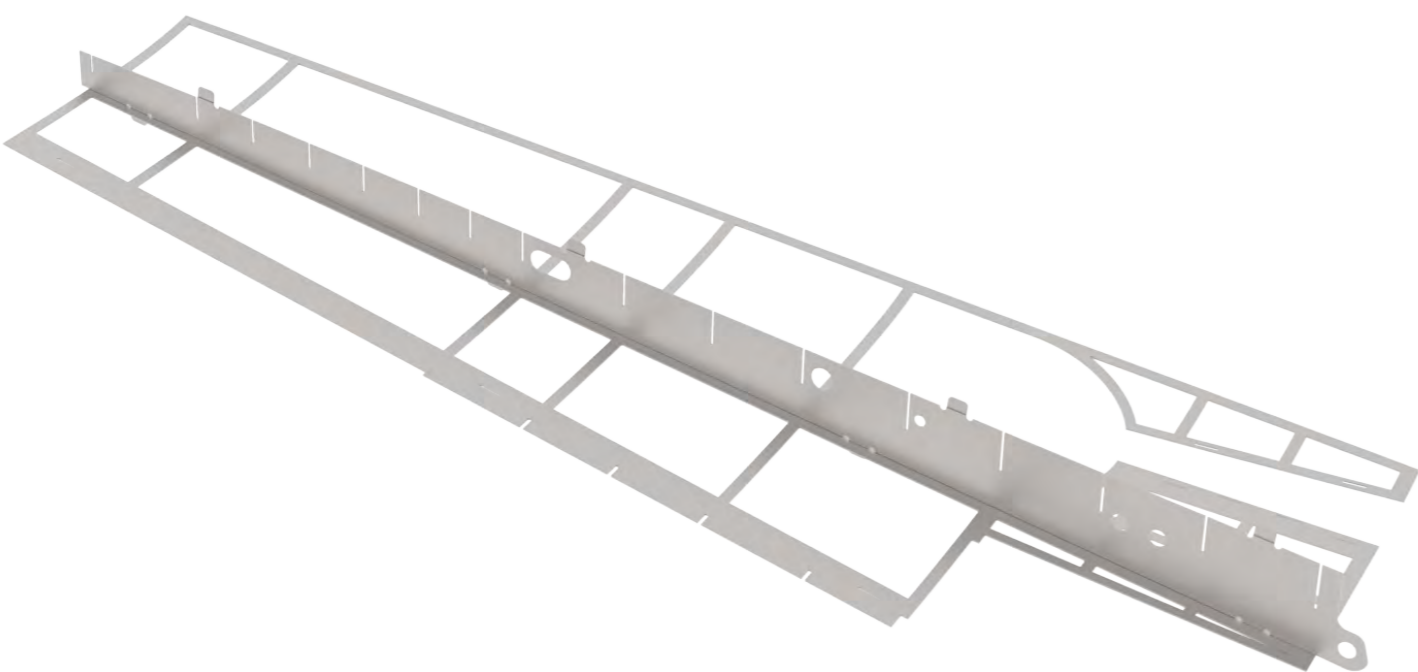
148



149

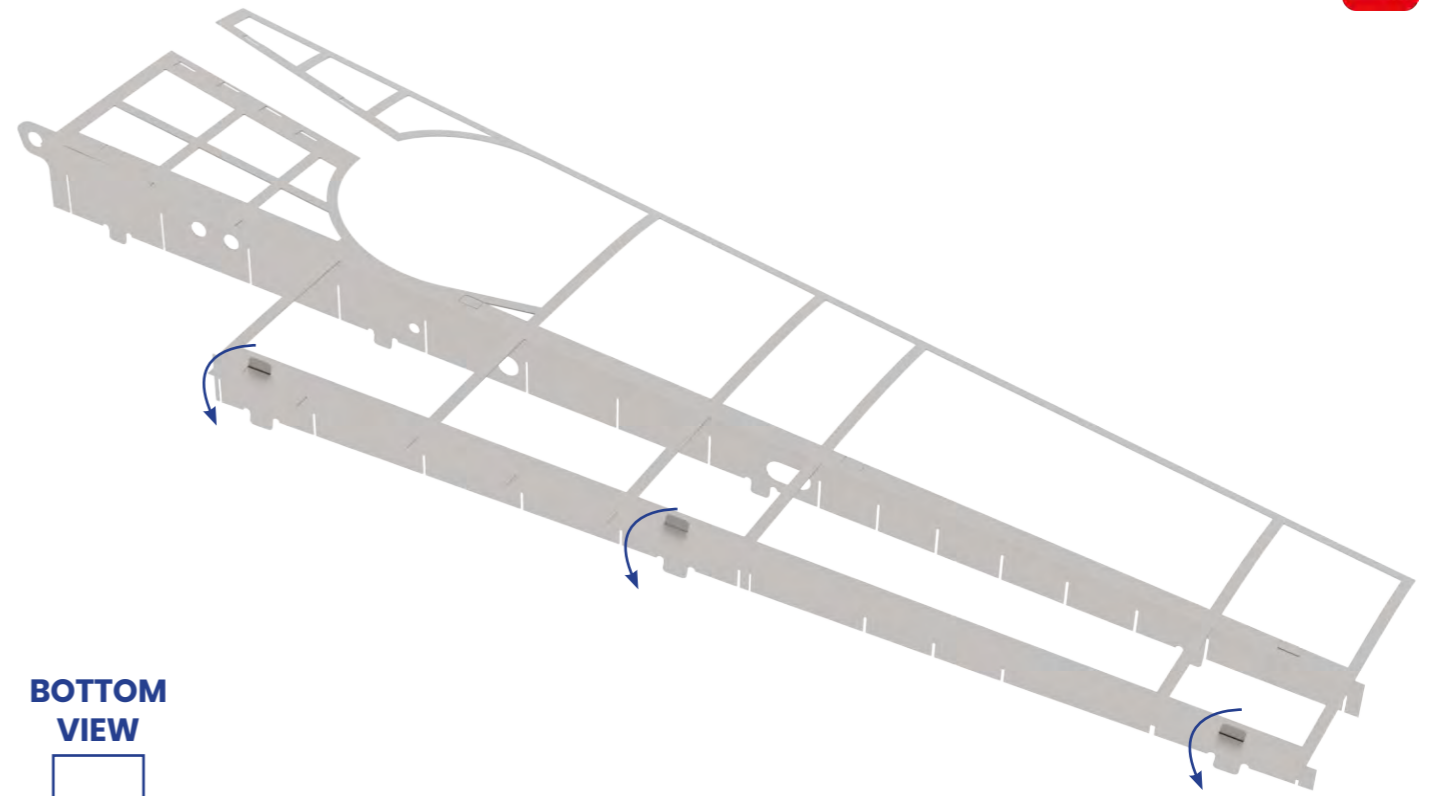
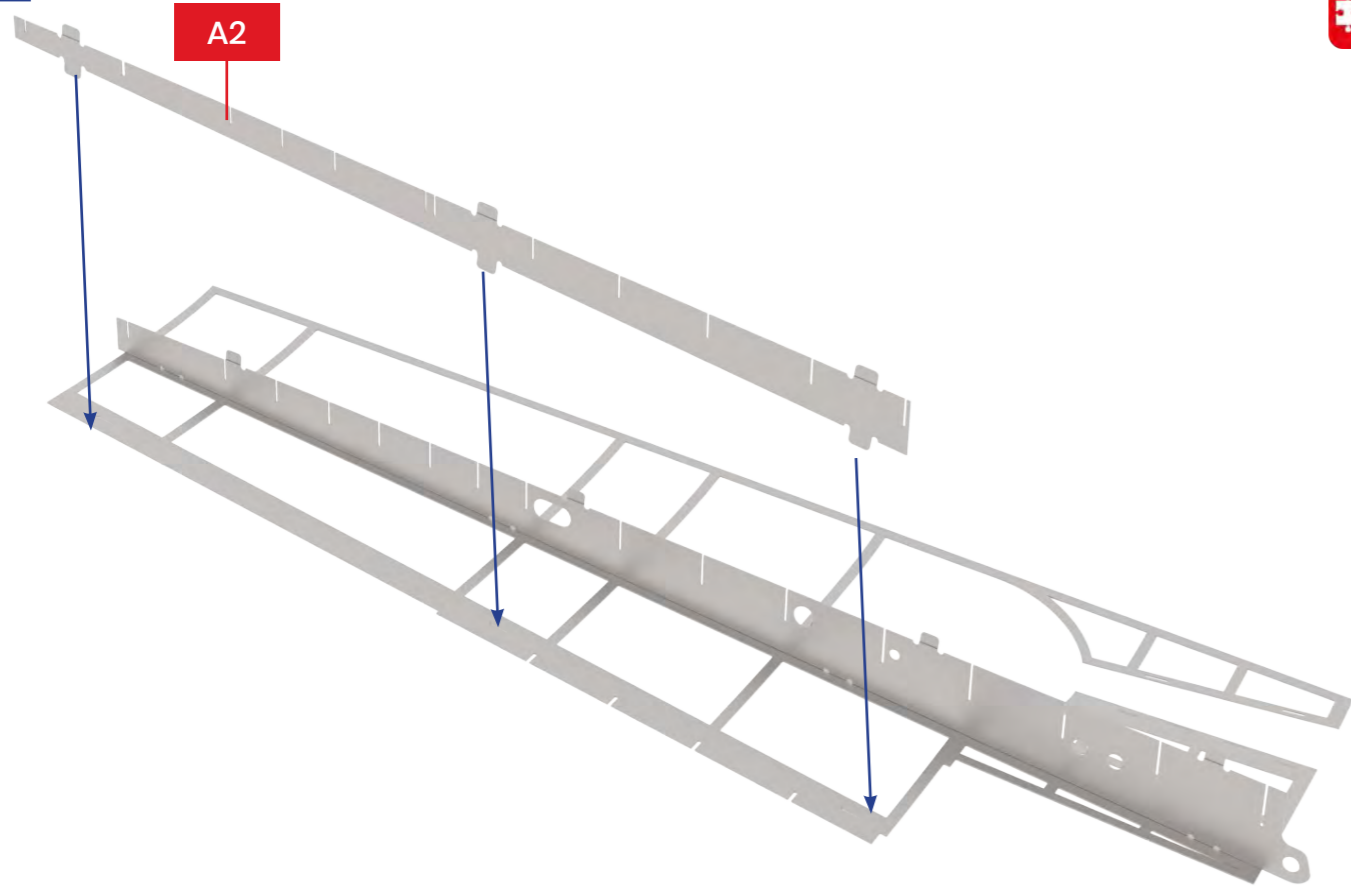


**BOTTOM
VIEW**

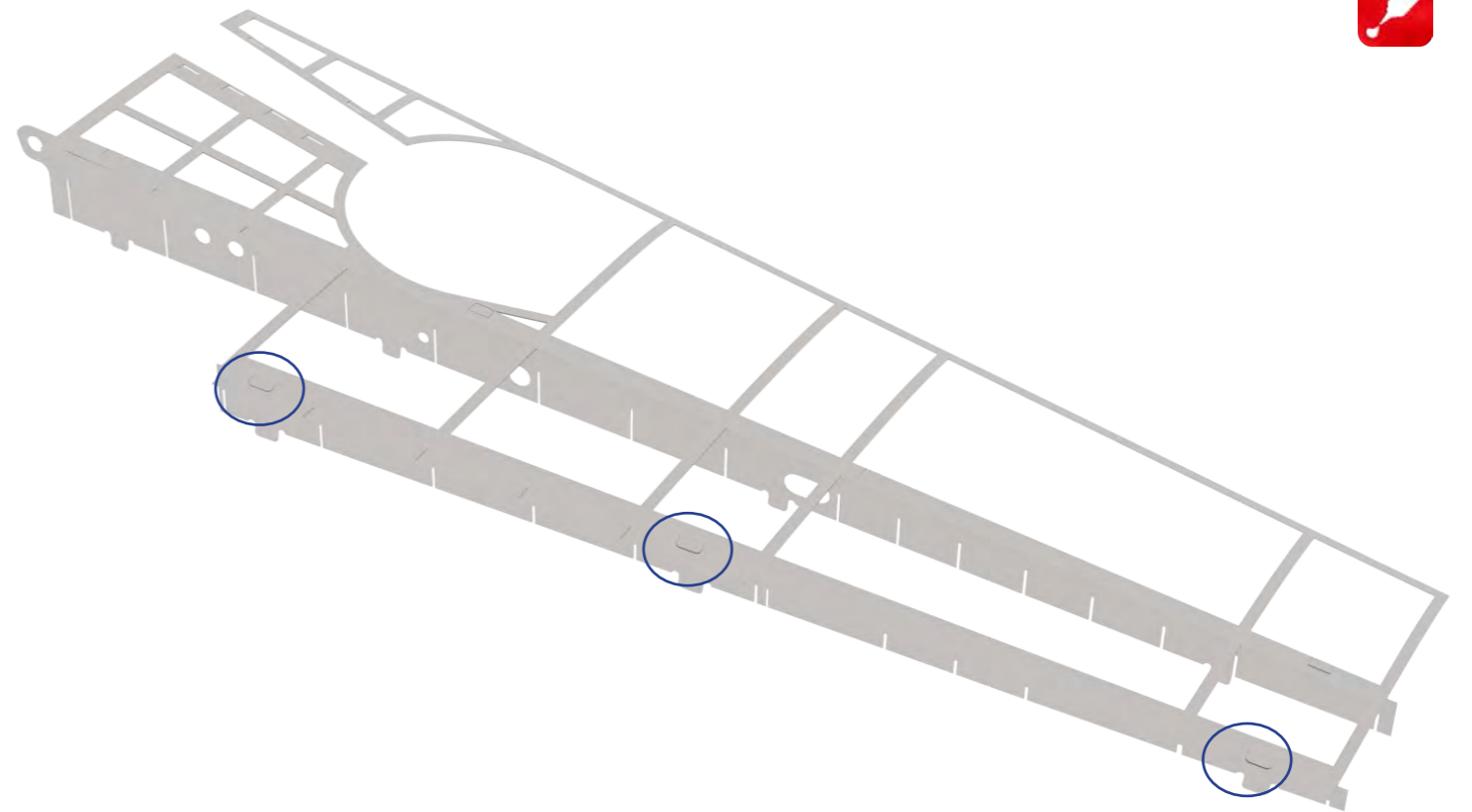
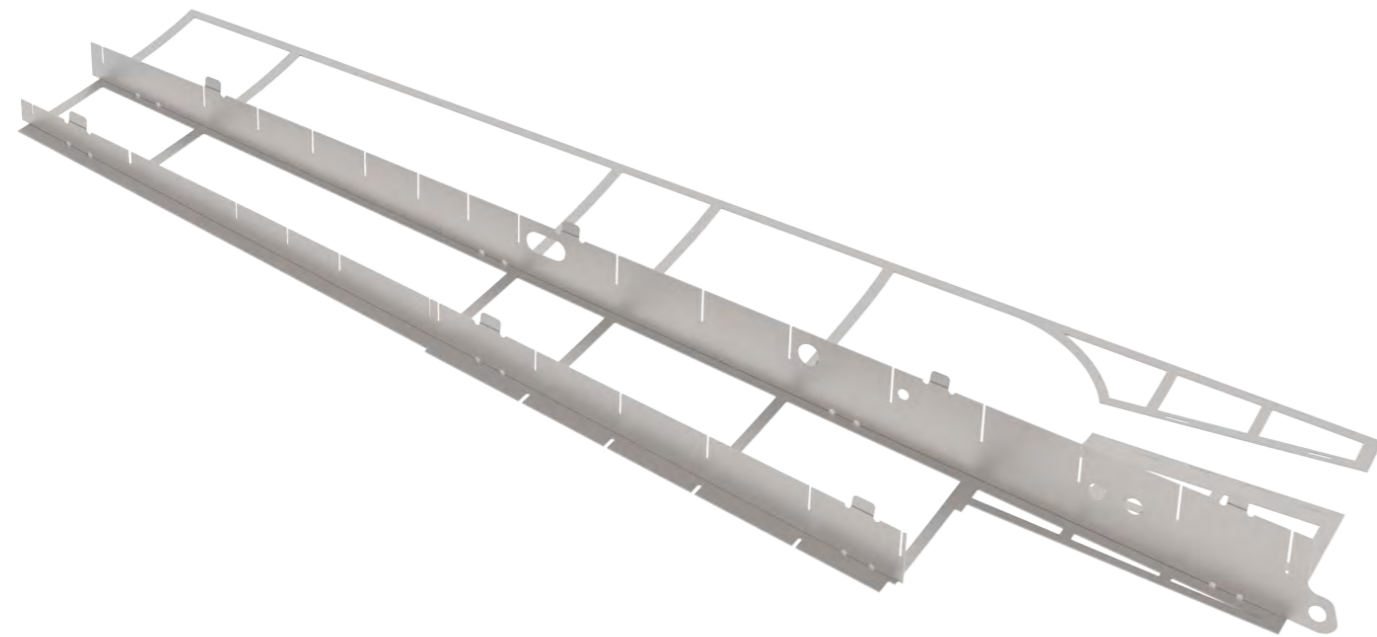


150

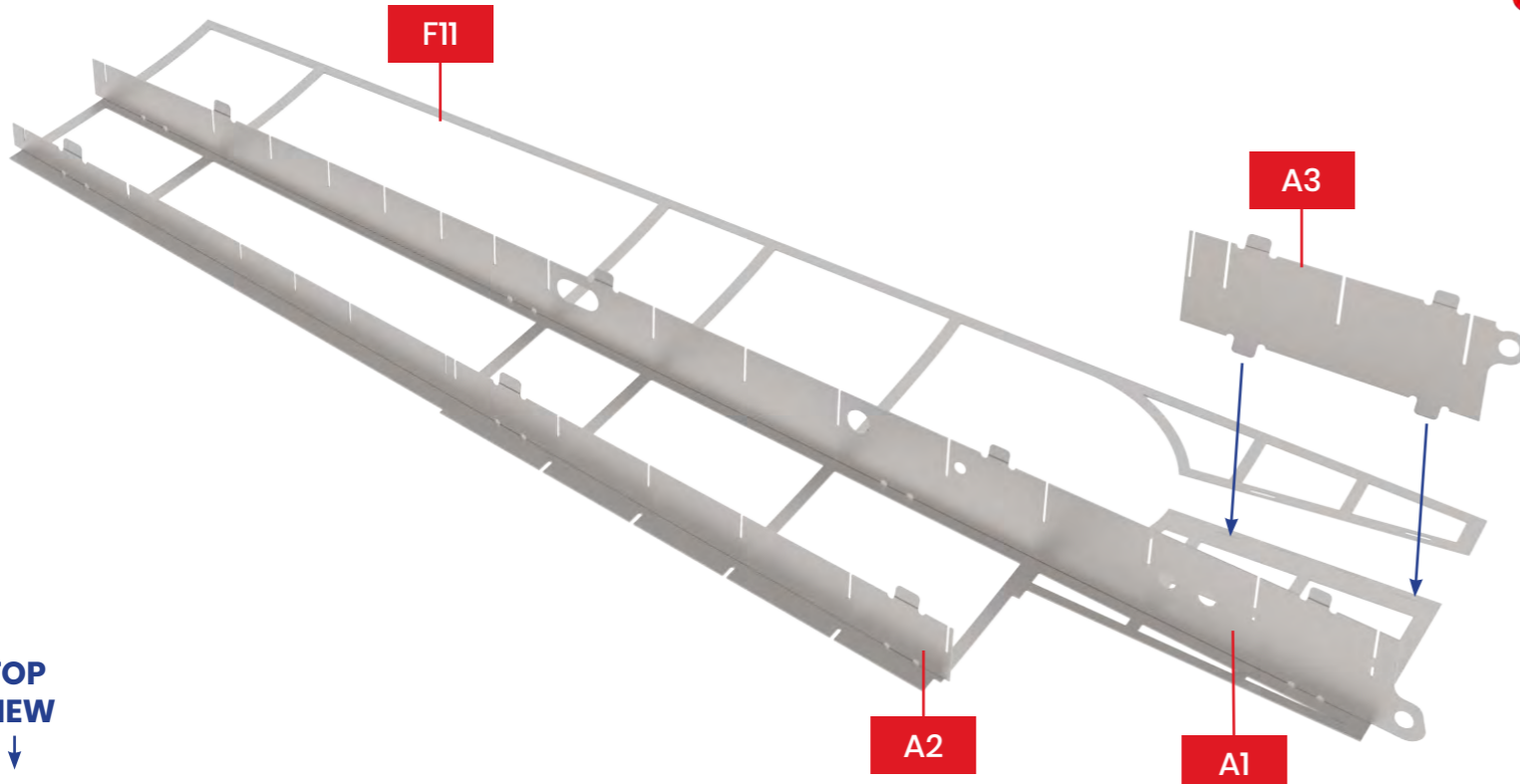
A2



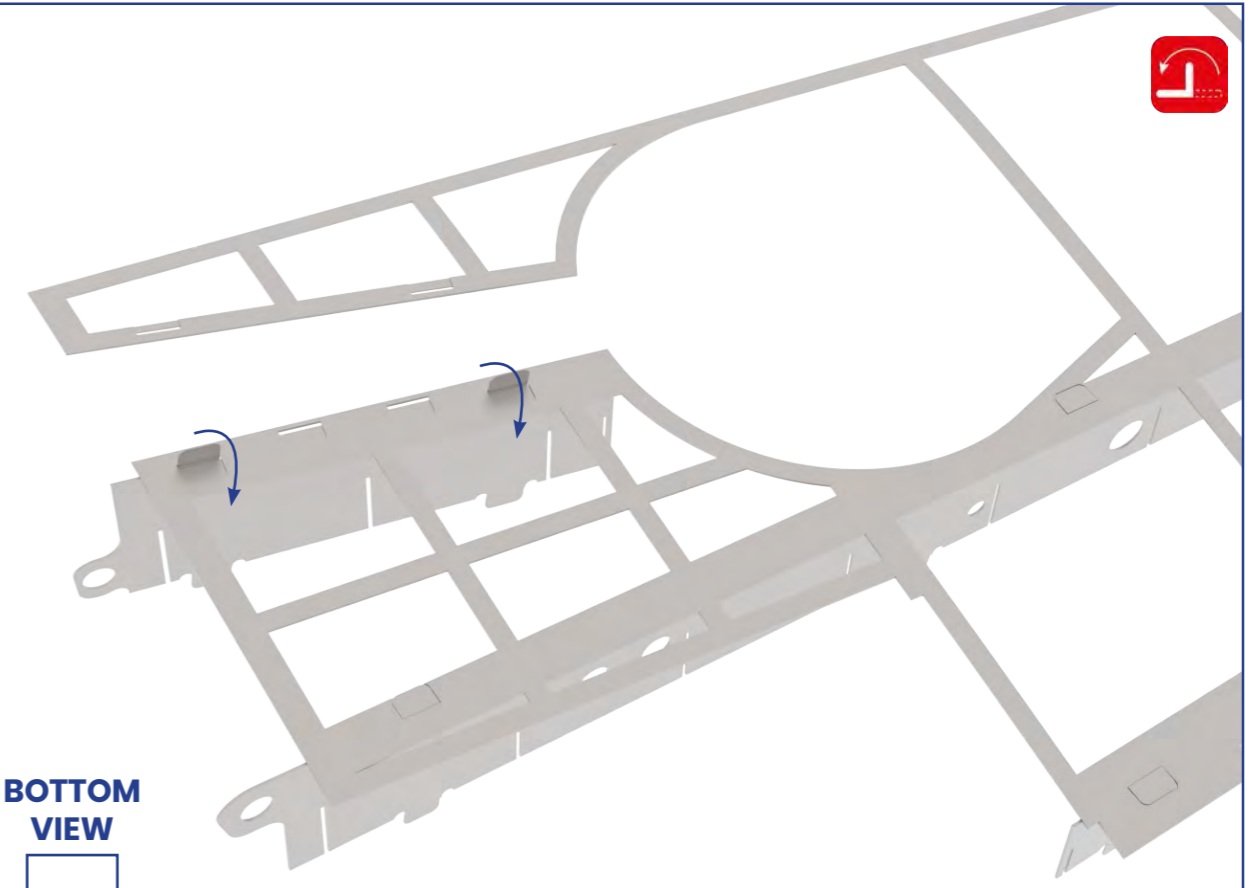
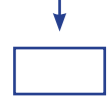
**BOTTOM
VIEW**



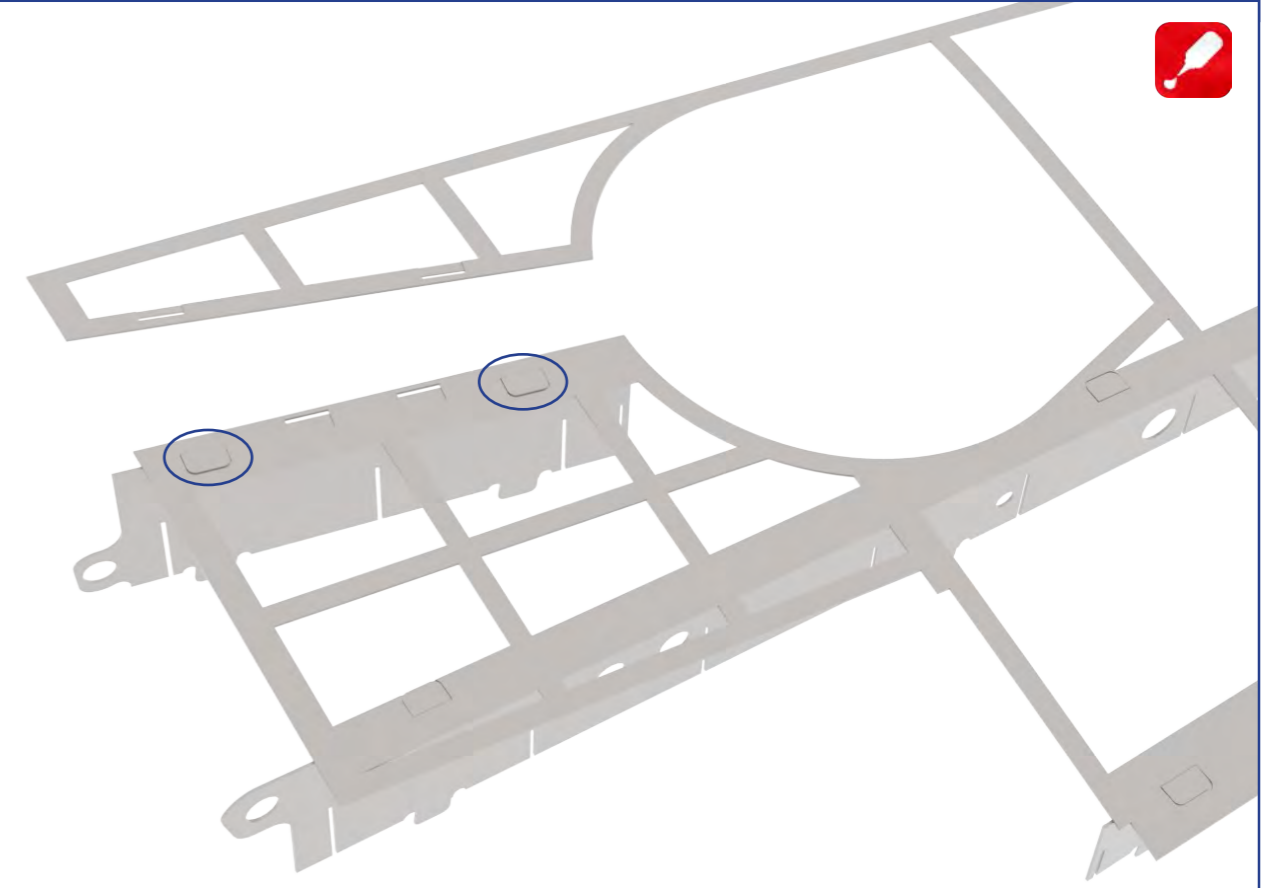
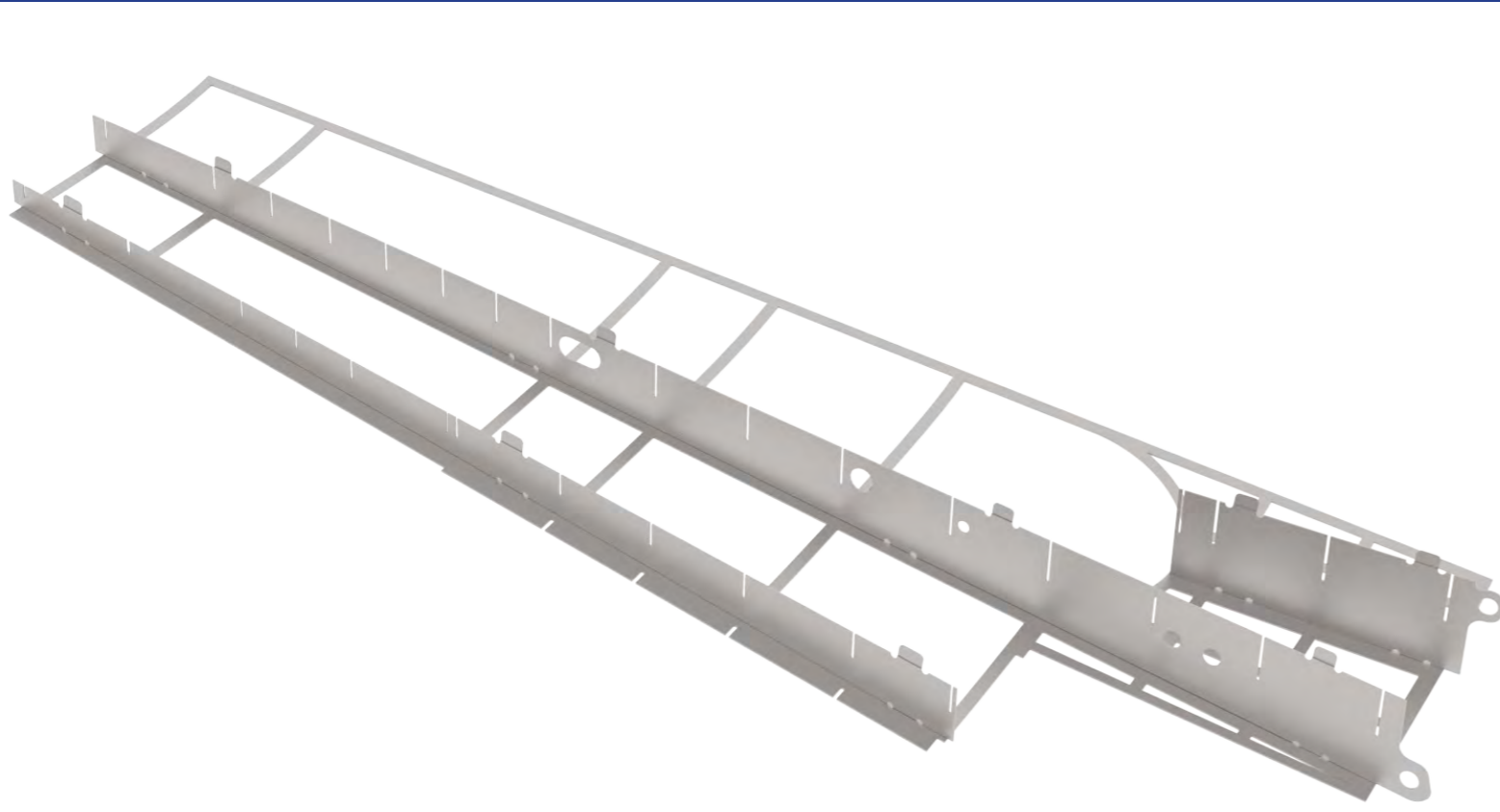
151



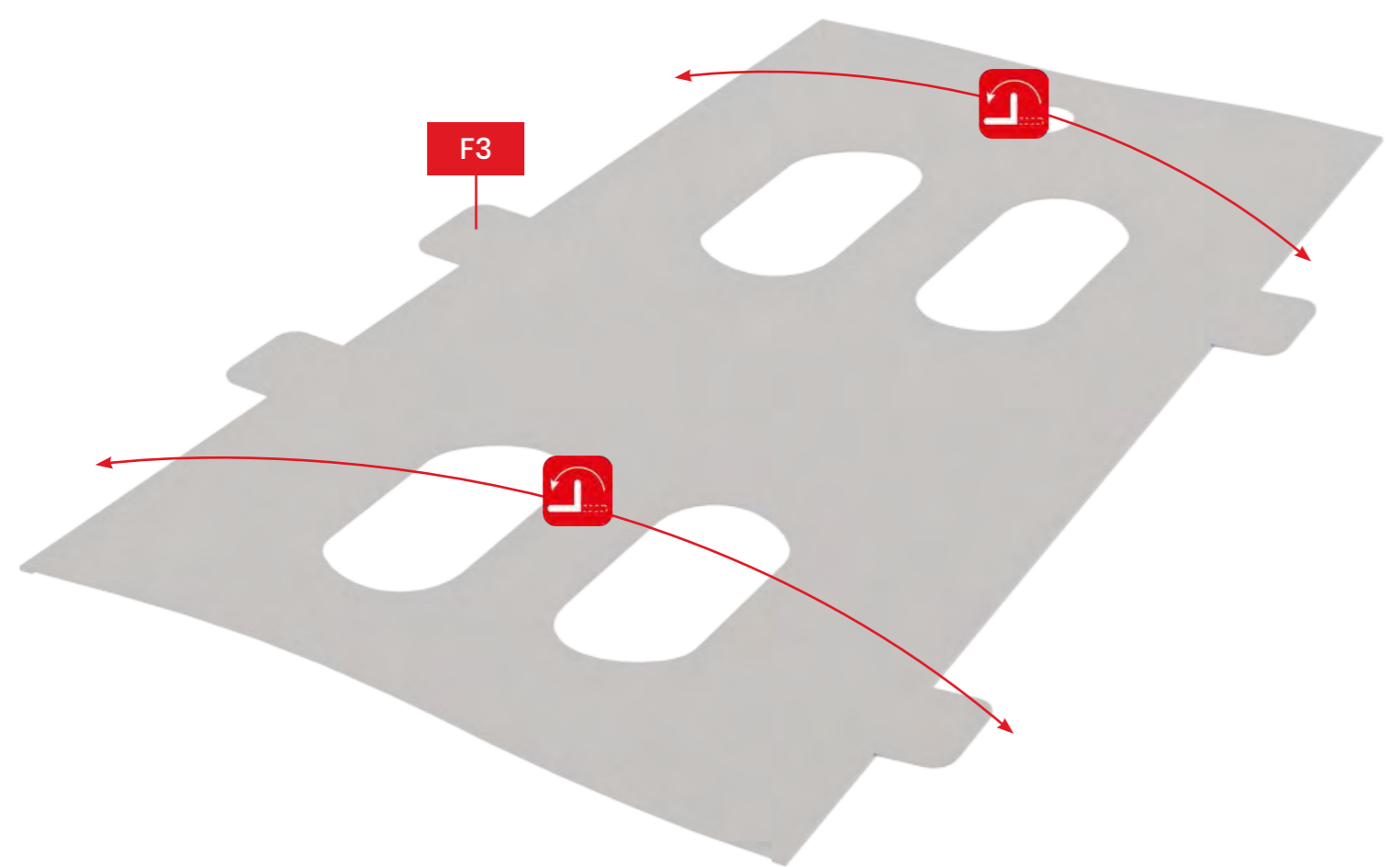
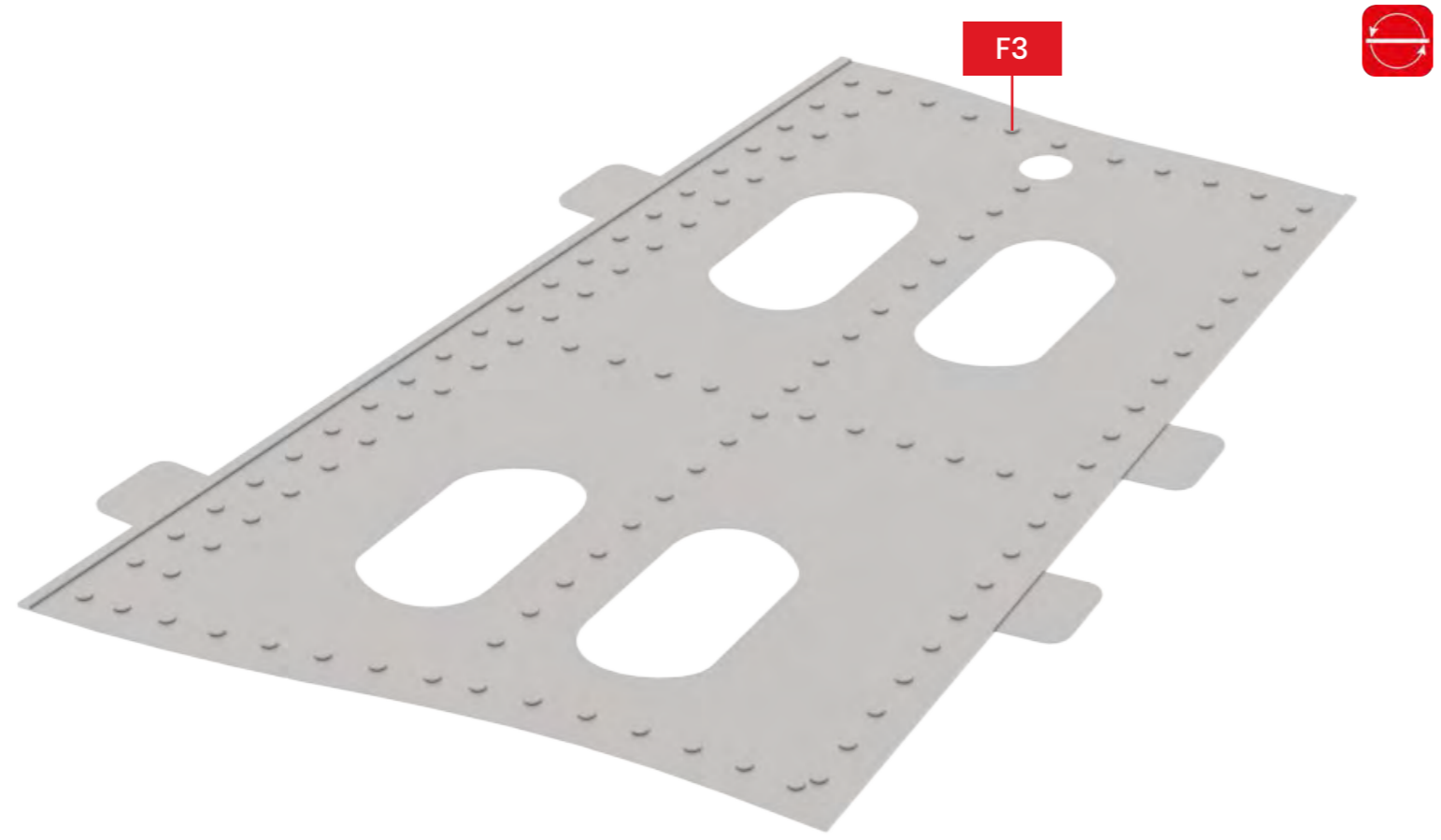
TOP
VIEW



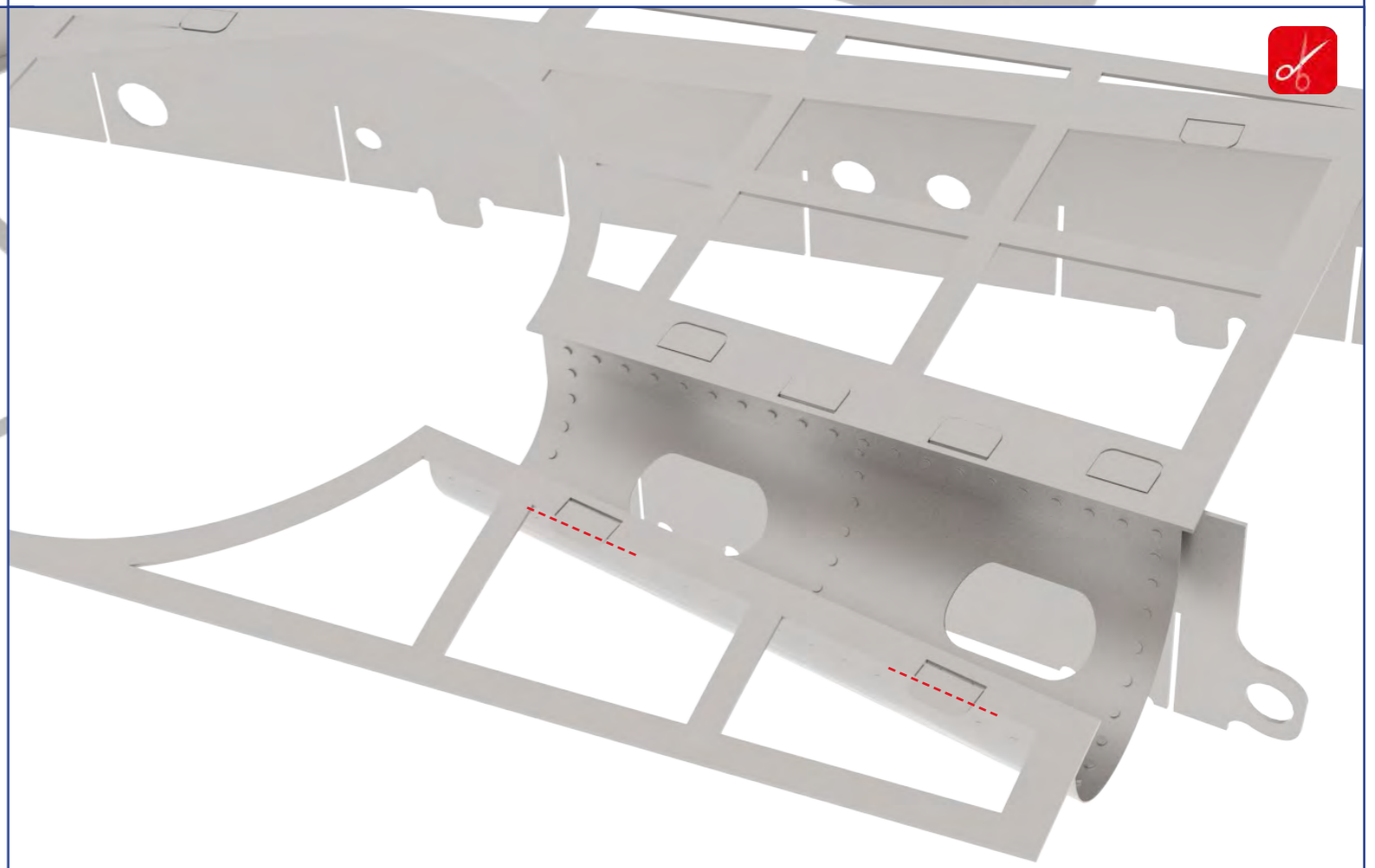
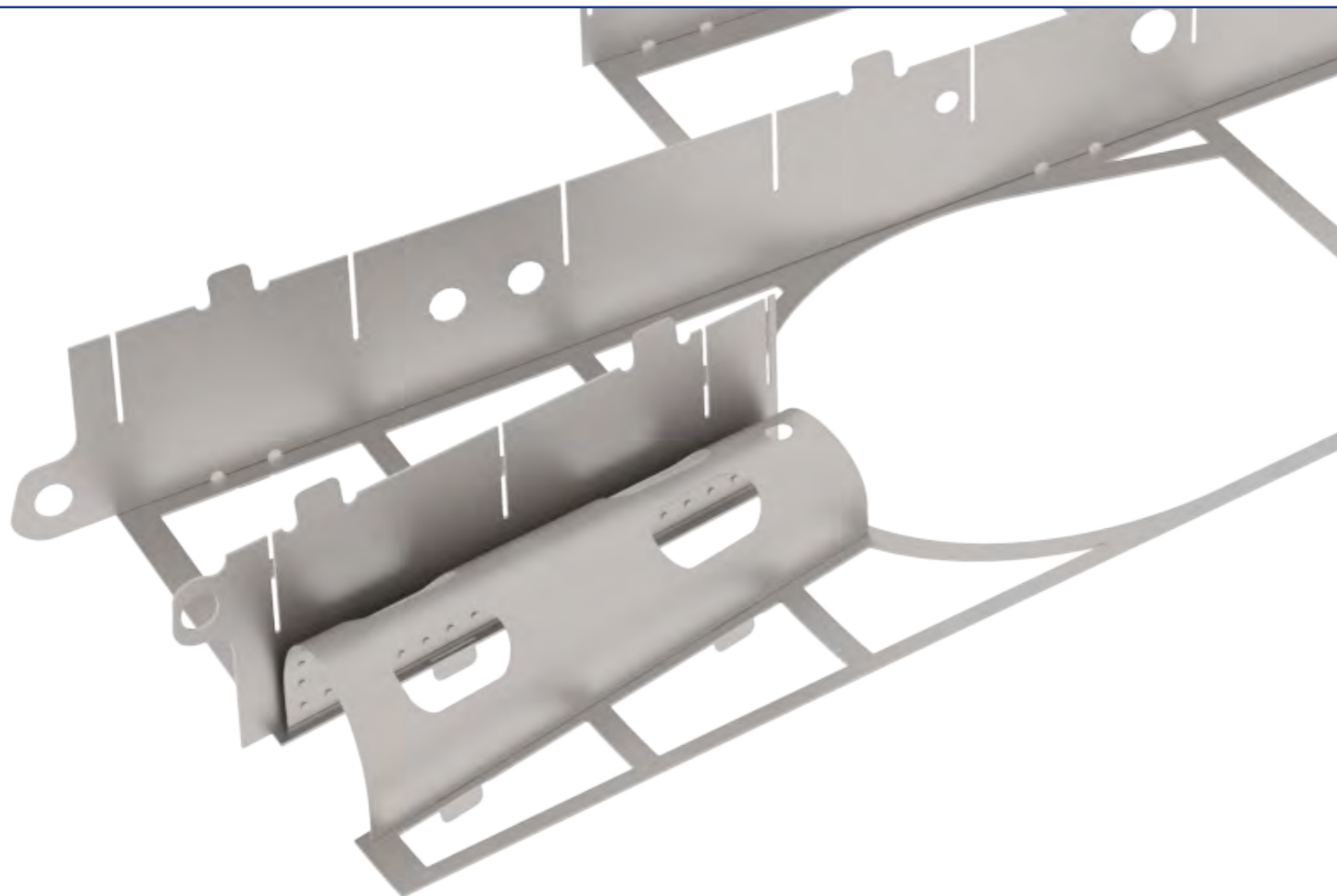
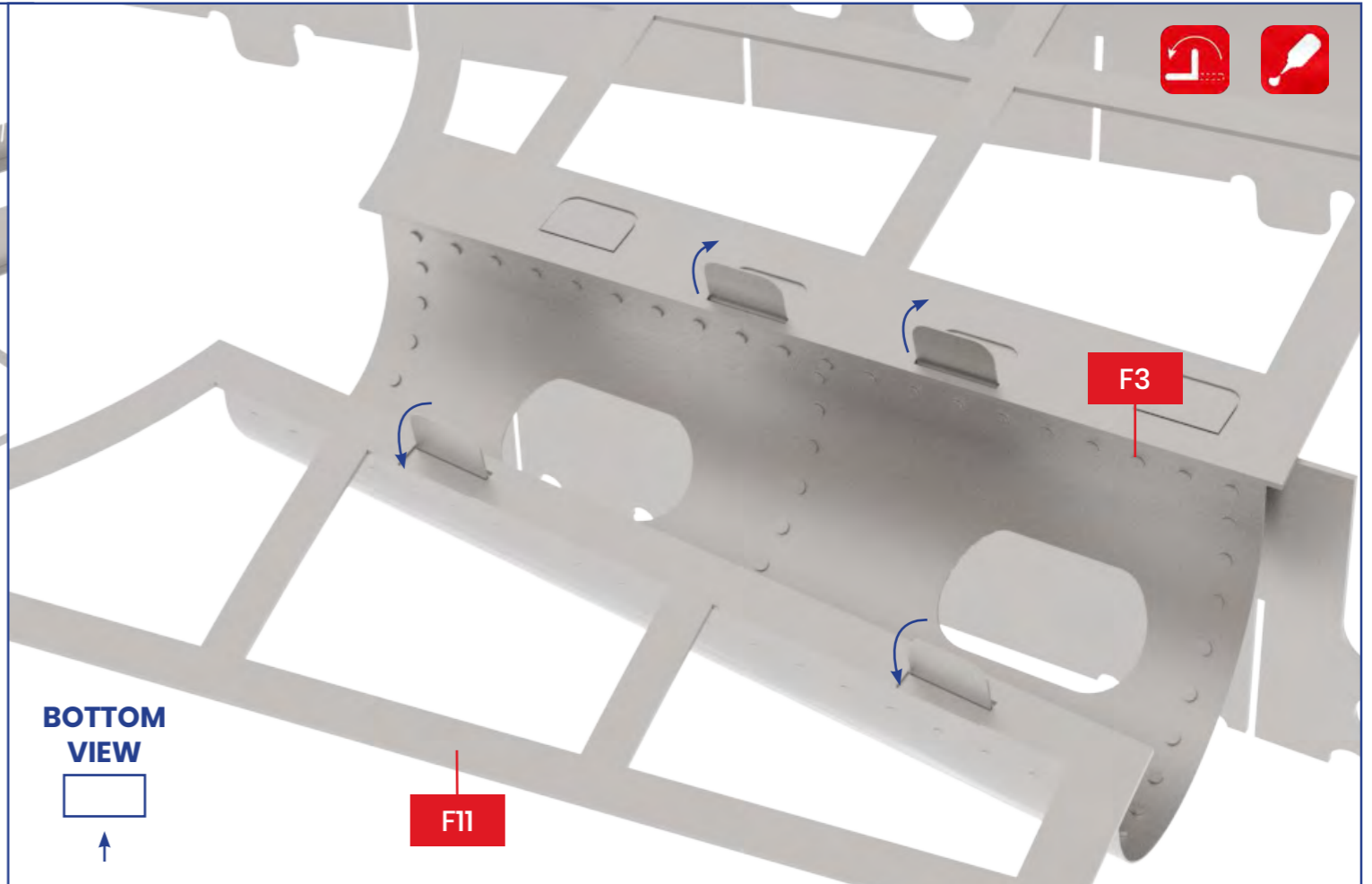
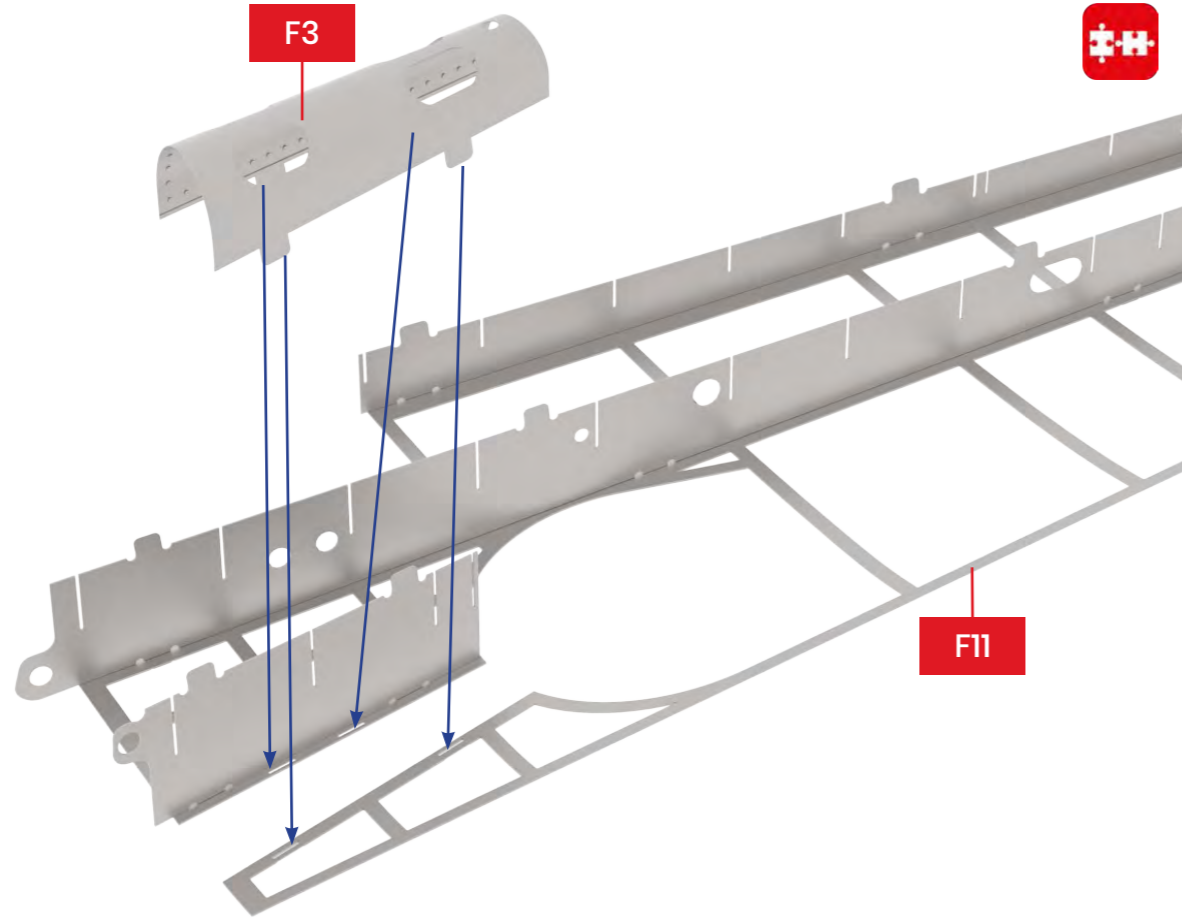
BOTTOM
VIEW



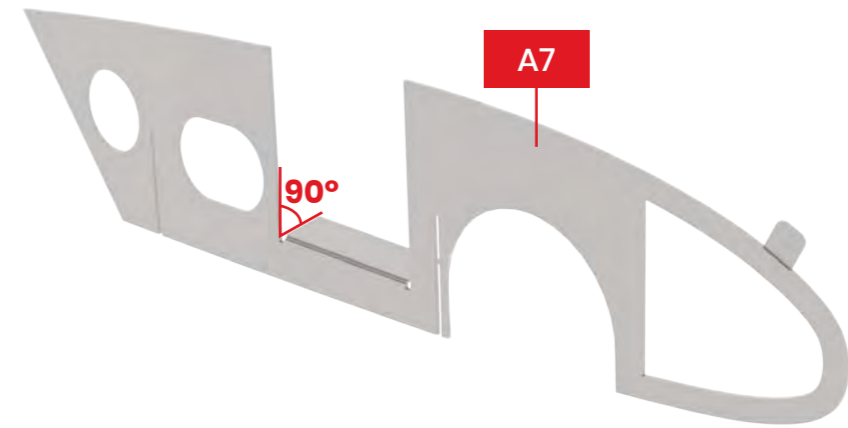
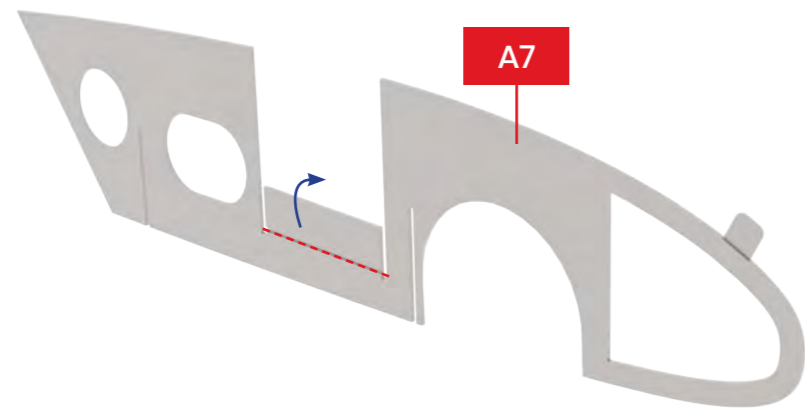
152



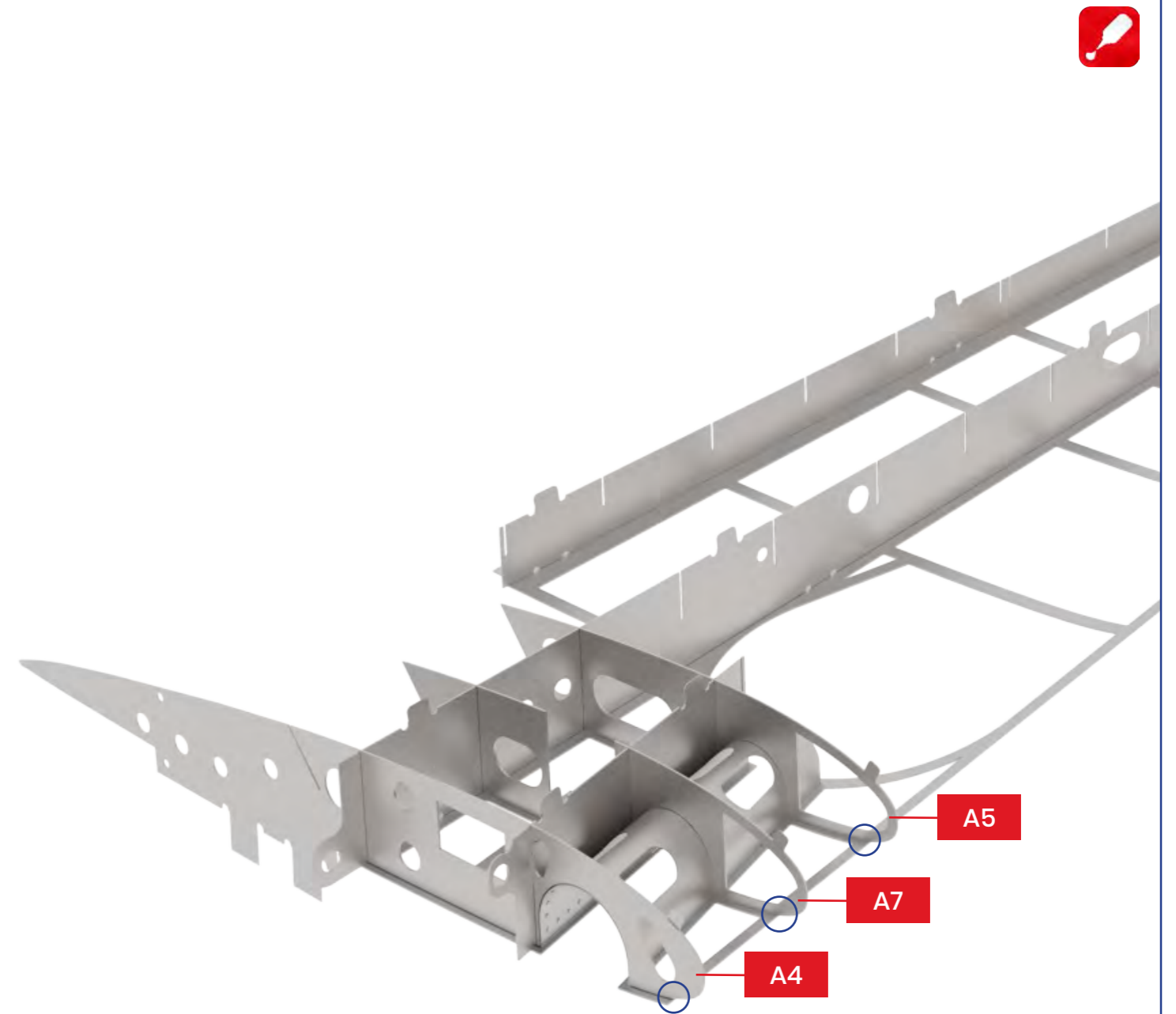
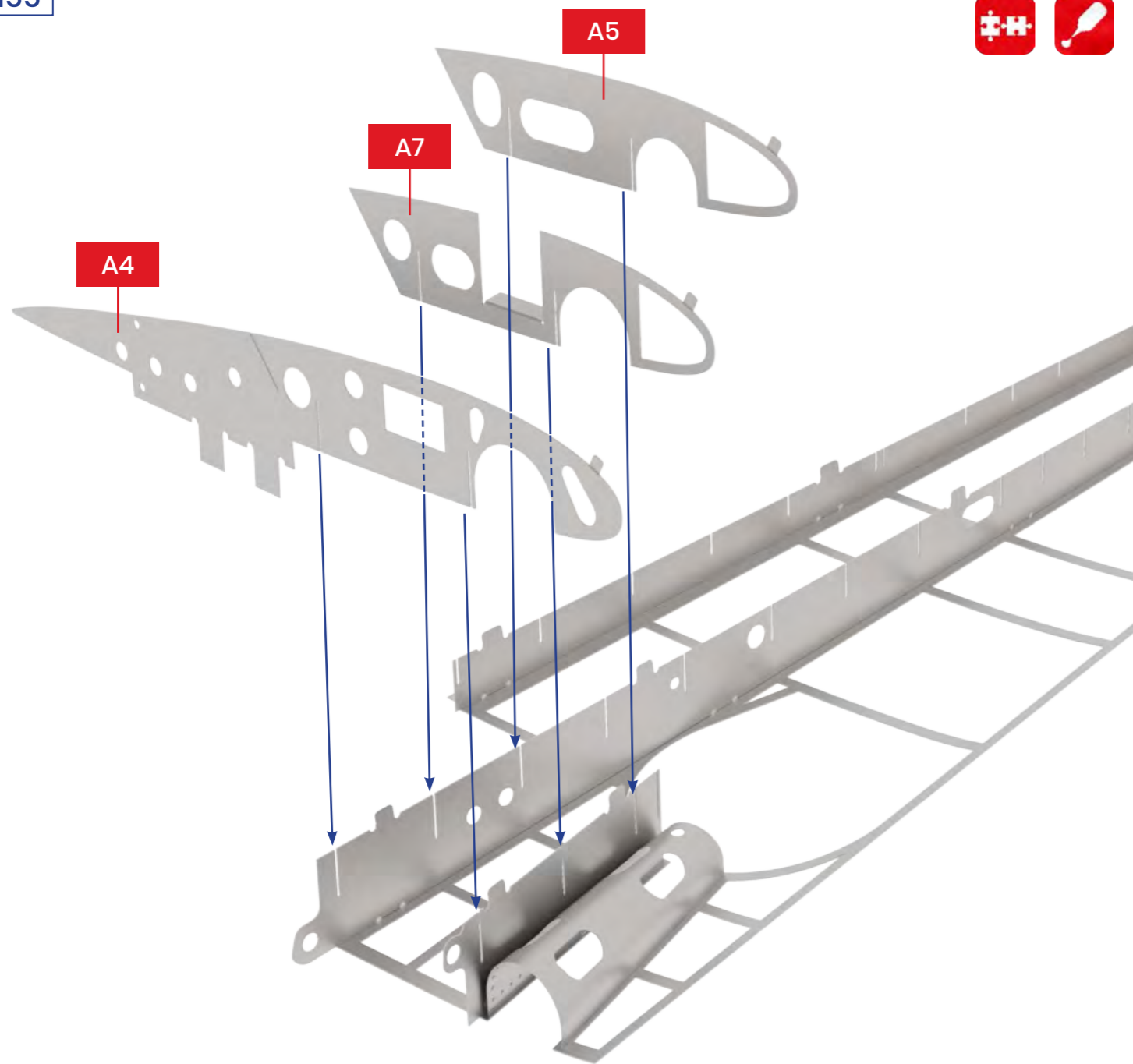
153



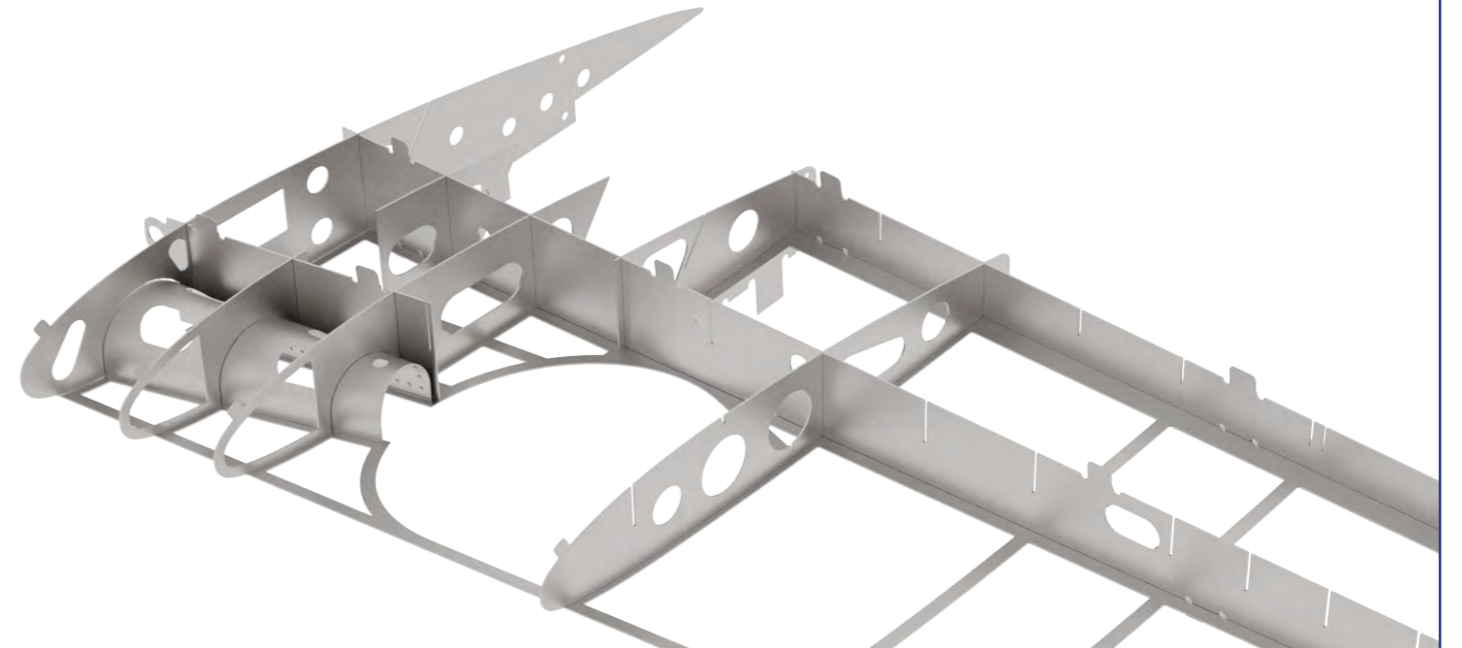
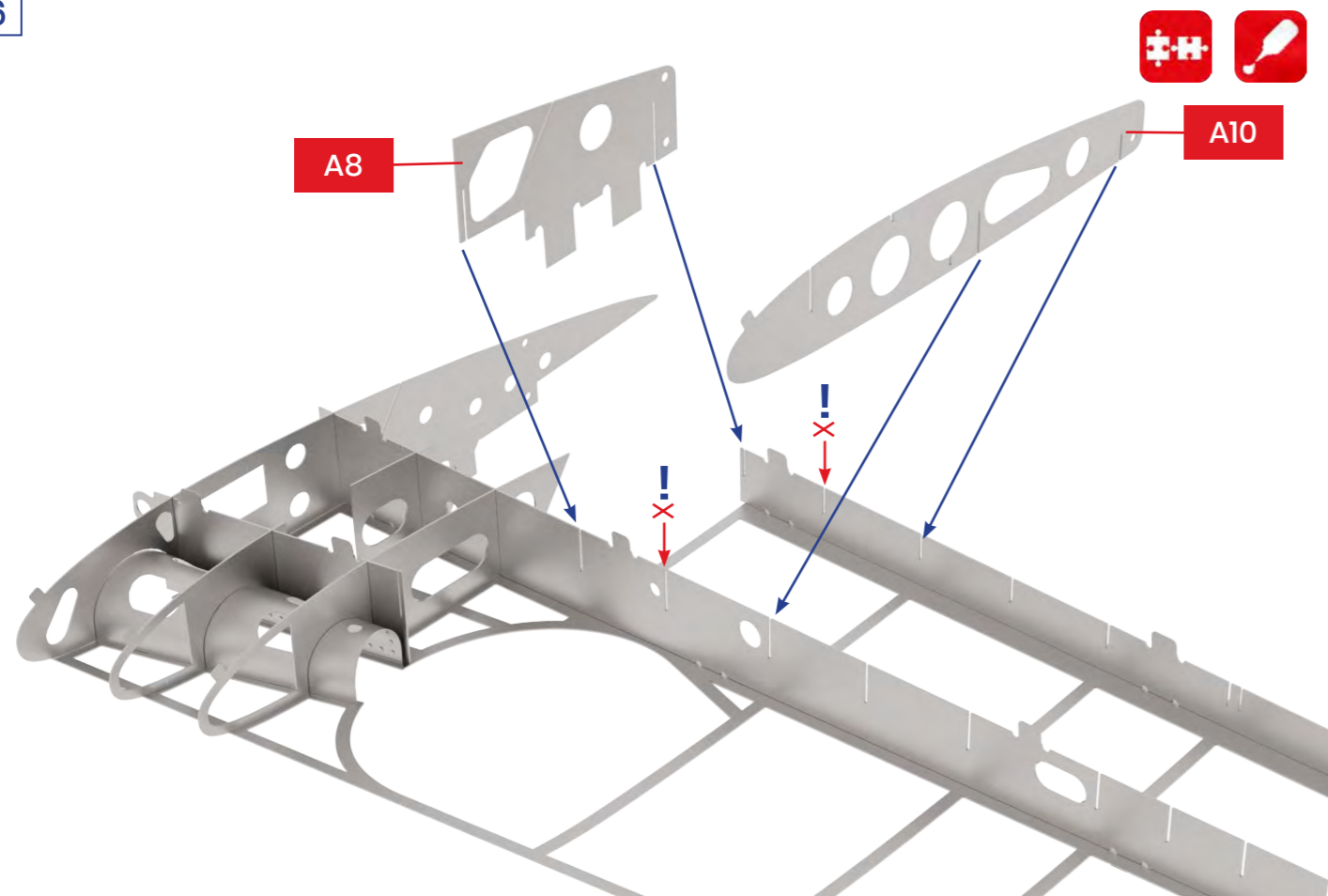
154



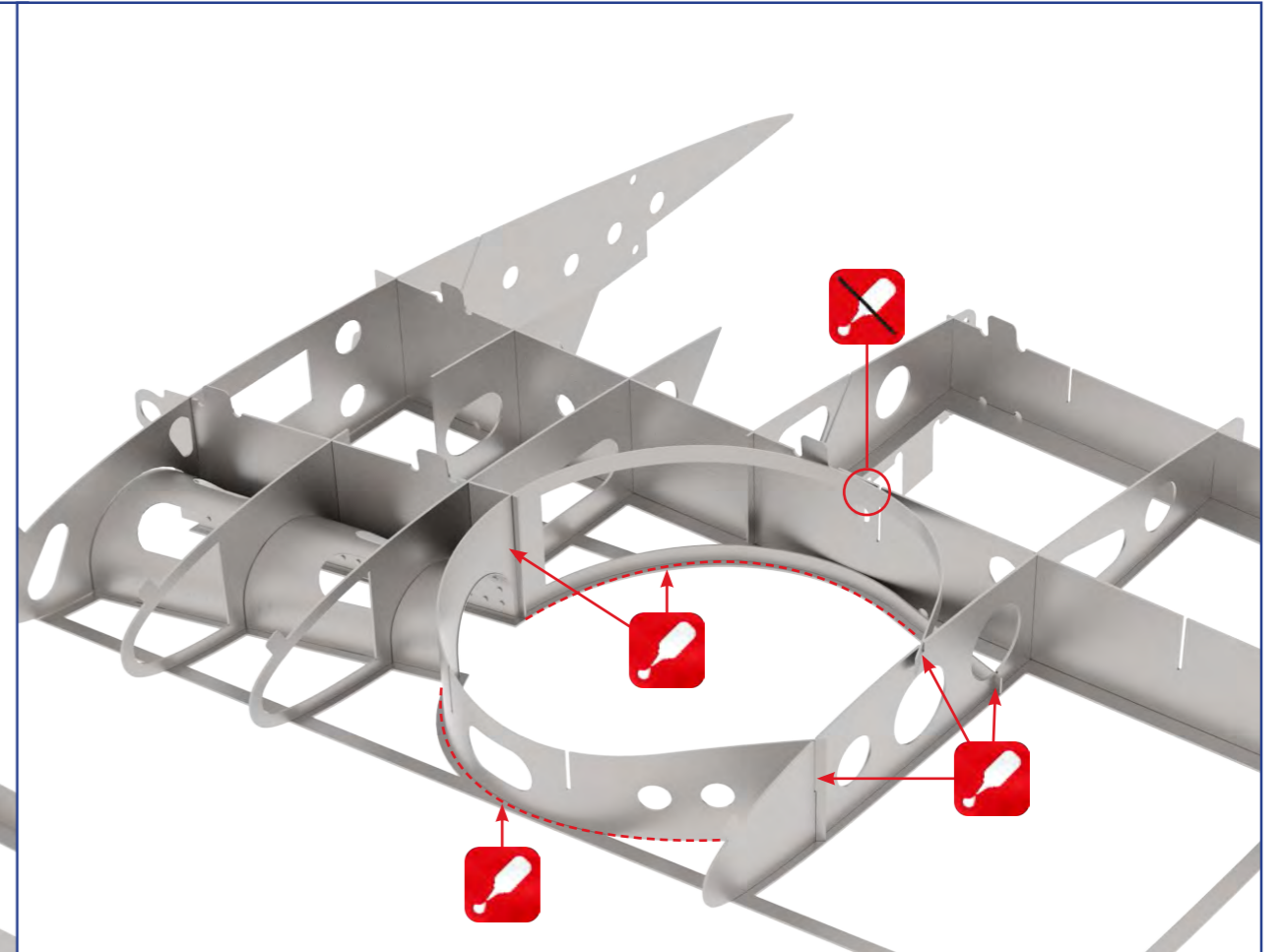
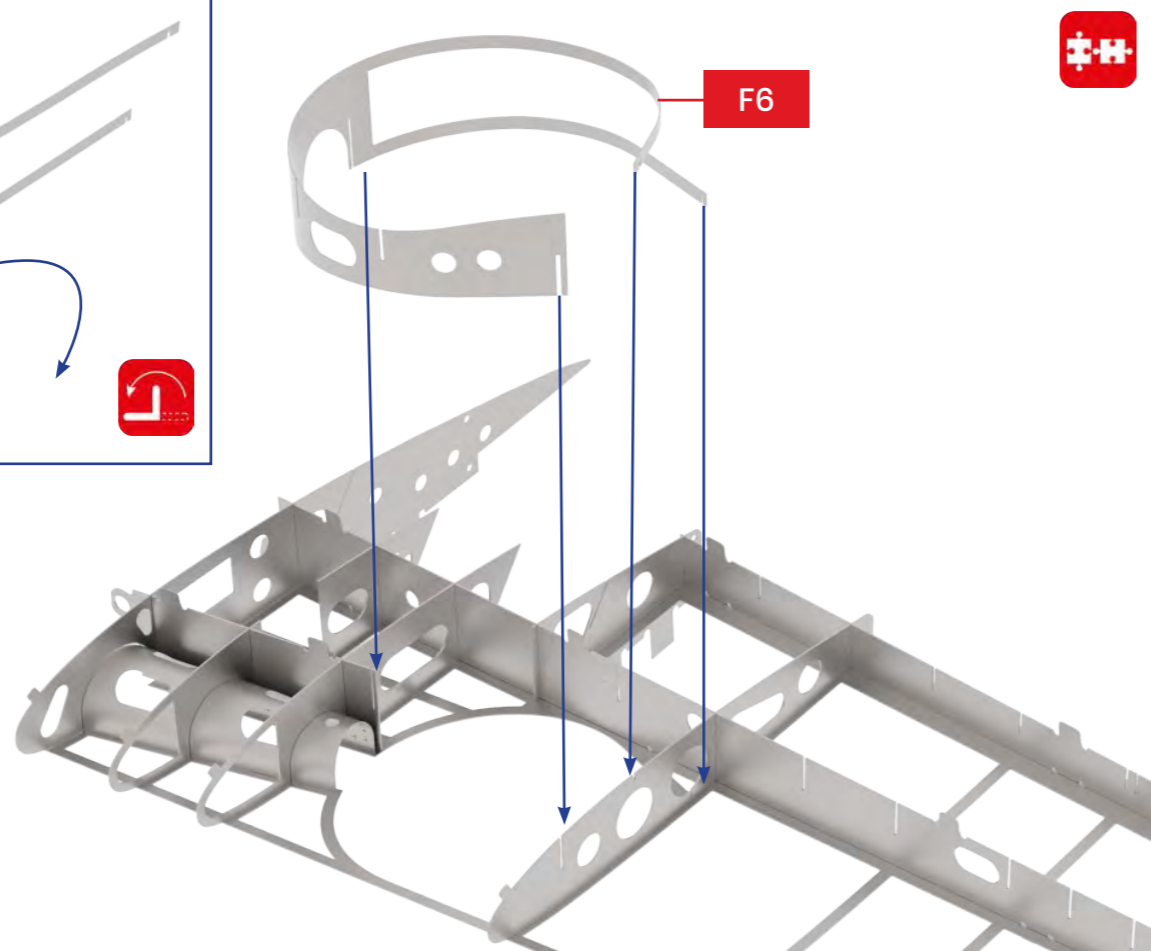
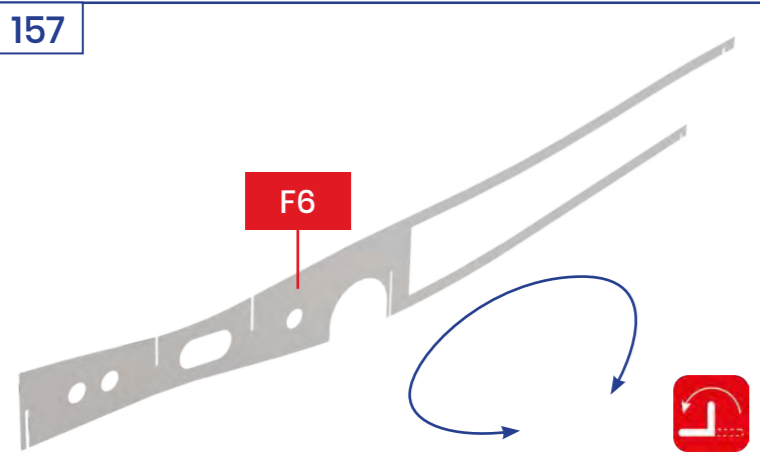
155



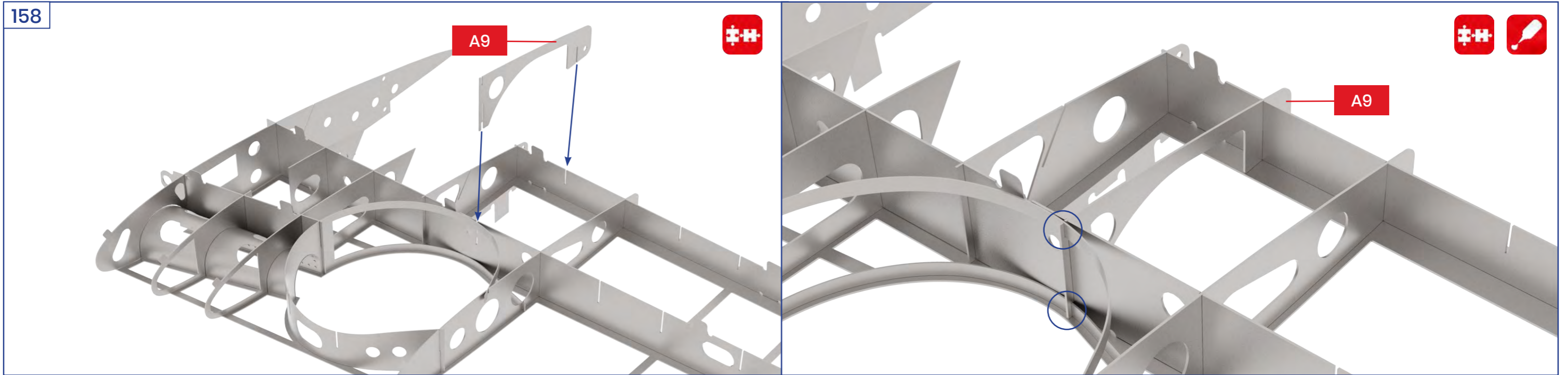
156



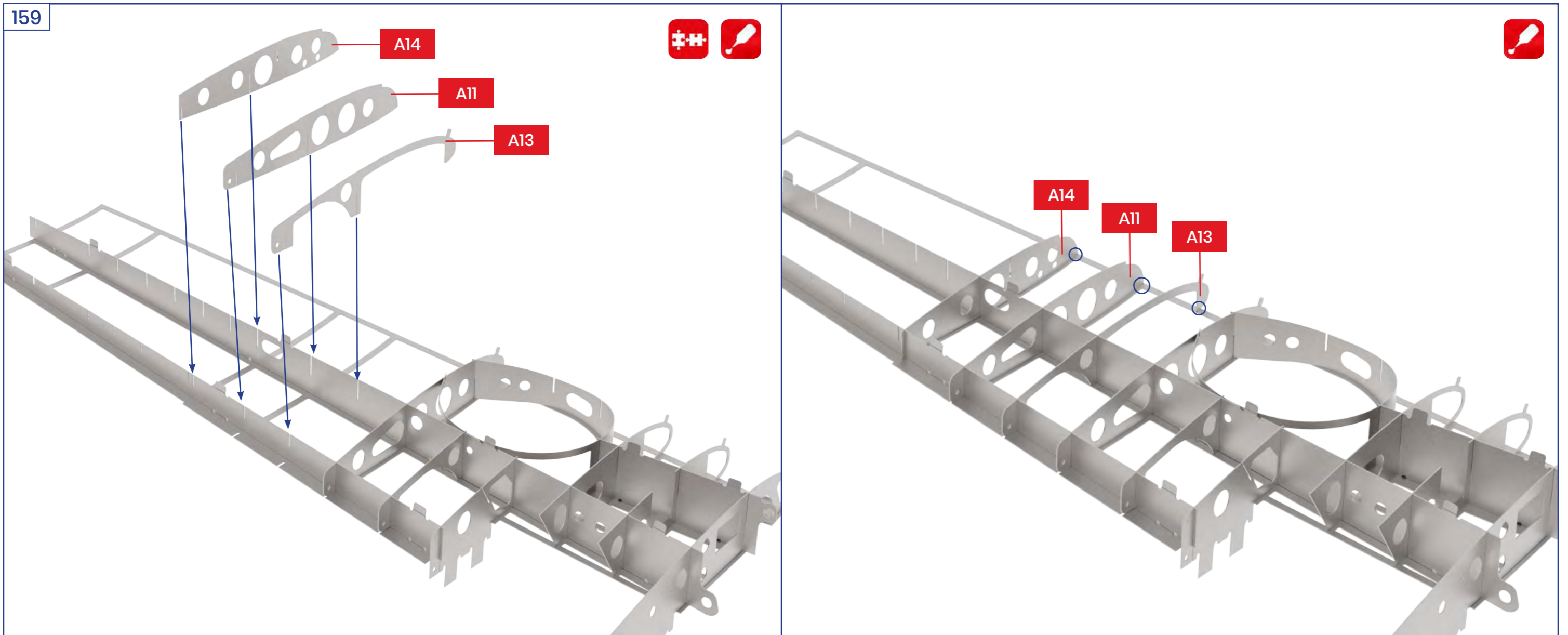
157



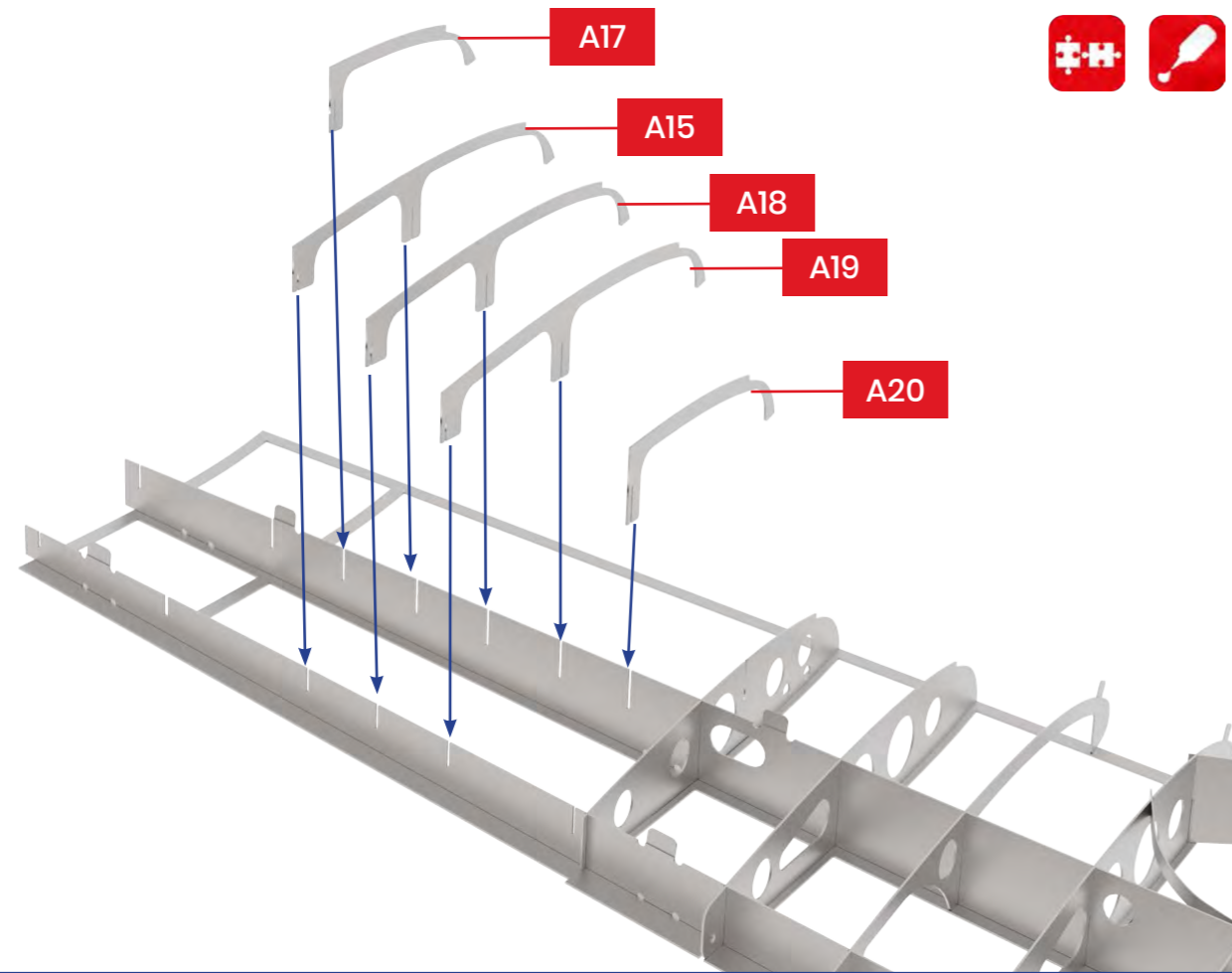
158



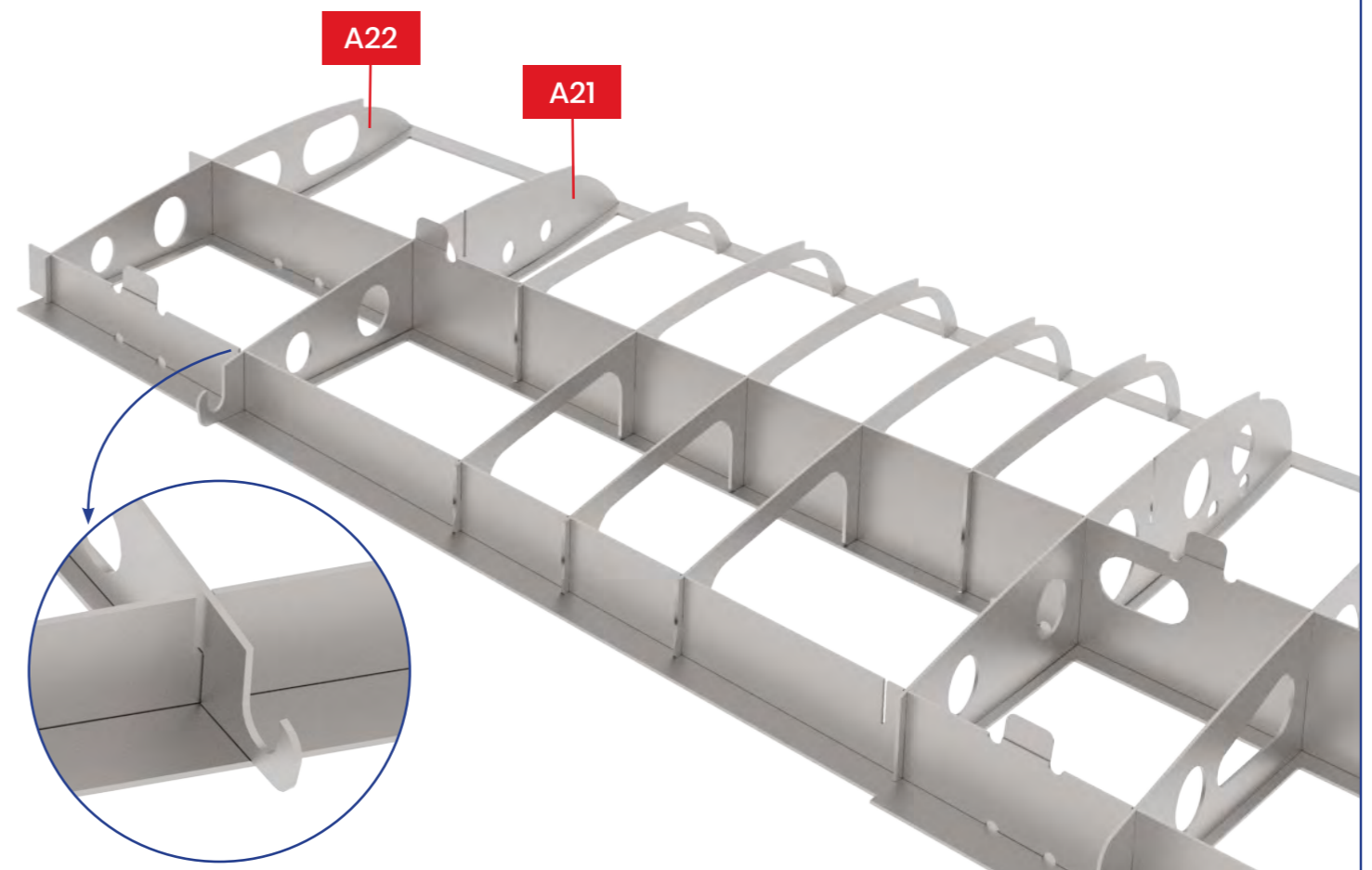
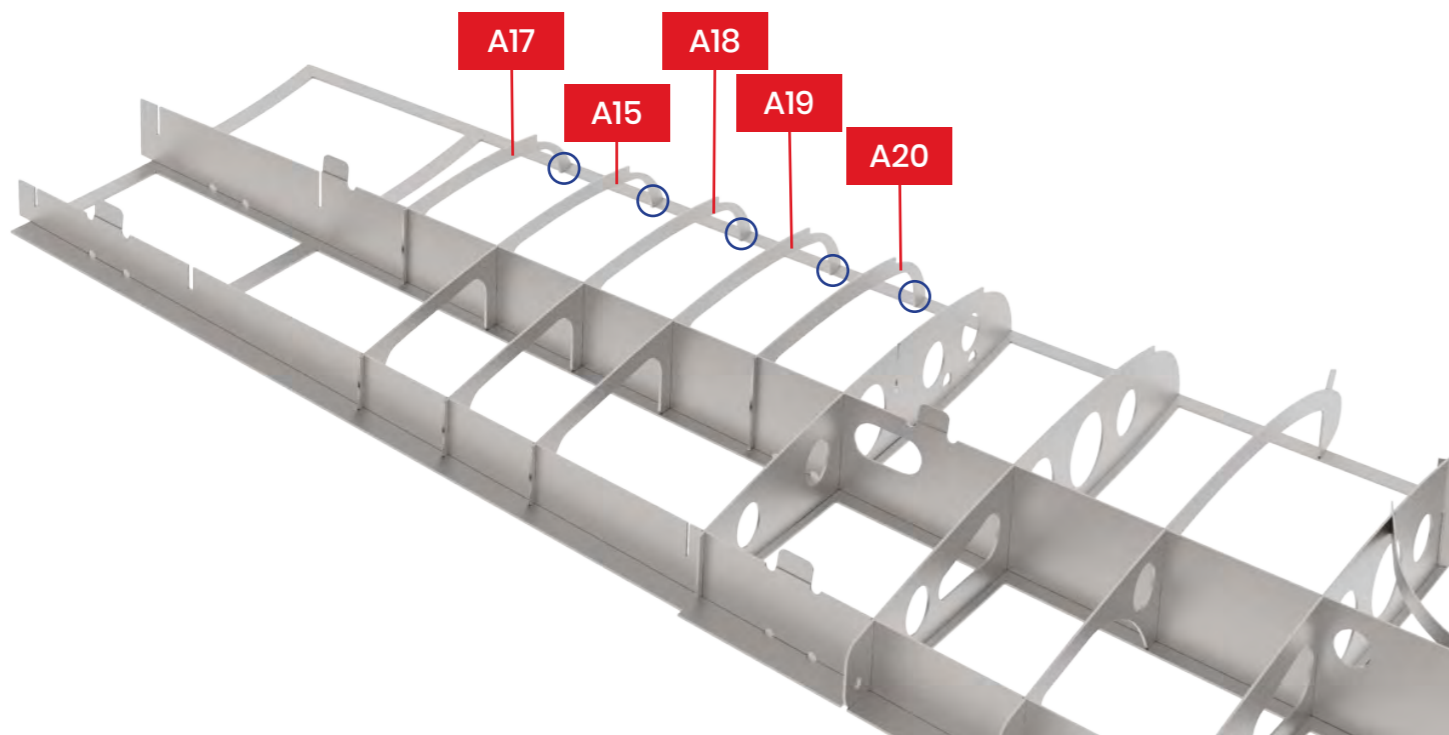
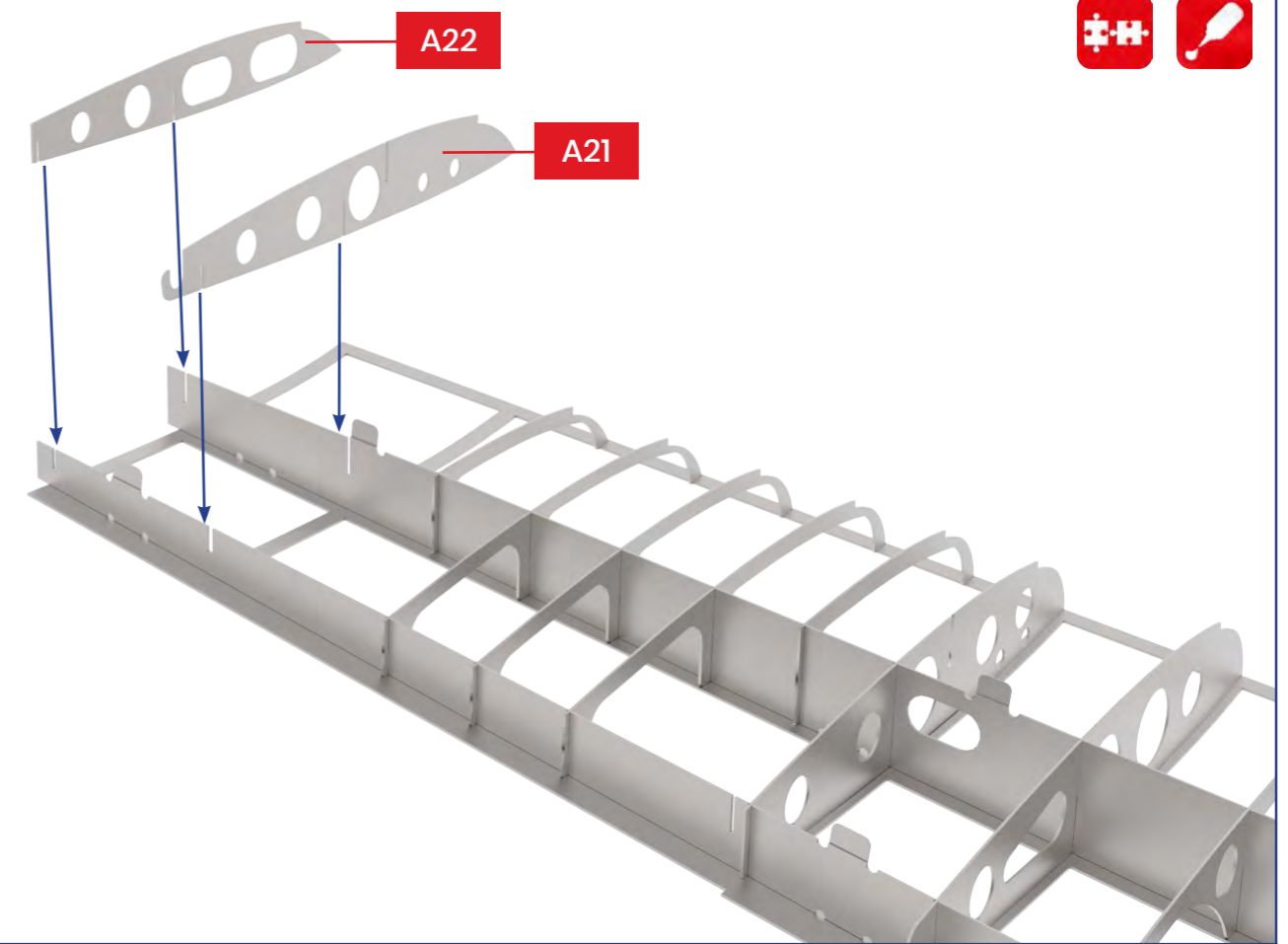
159



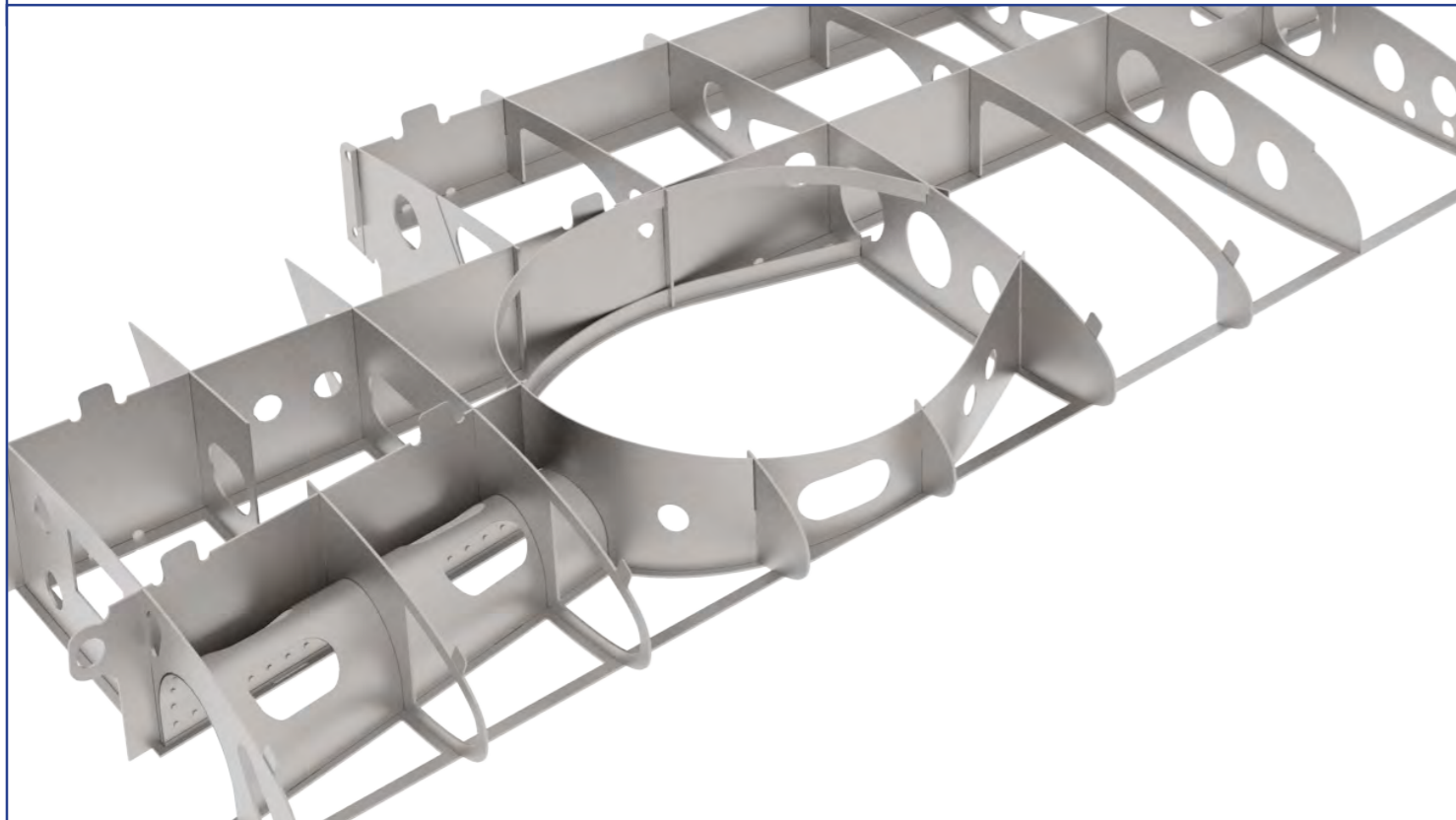
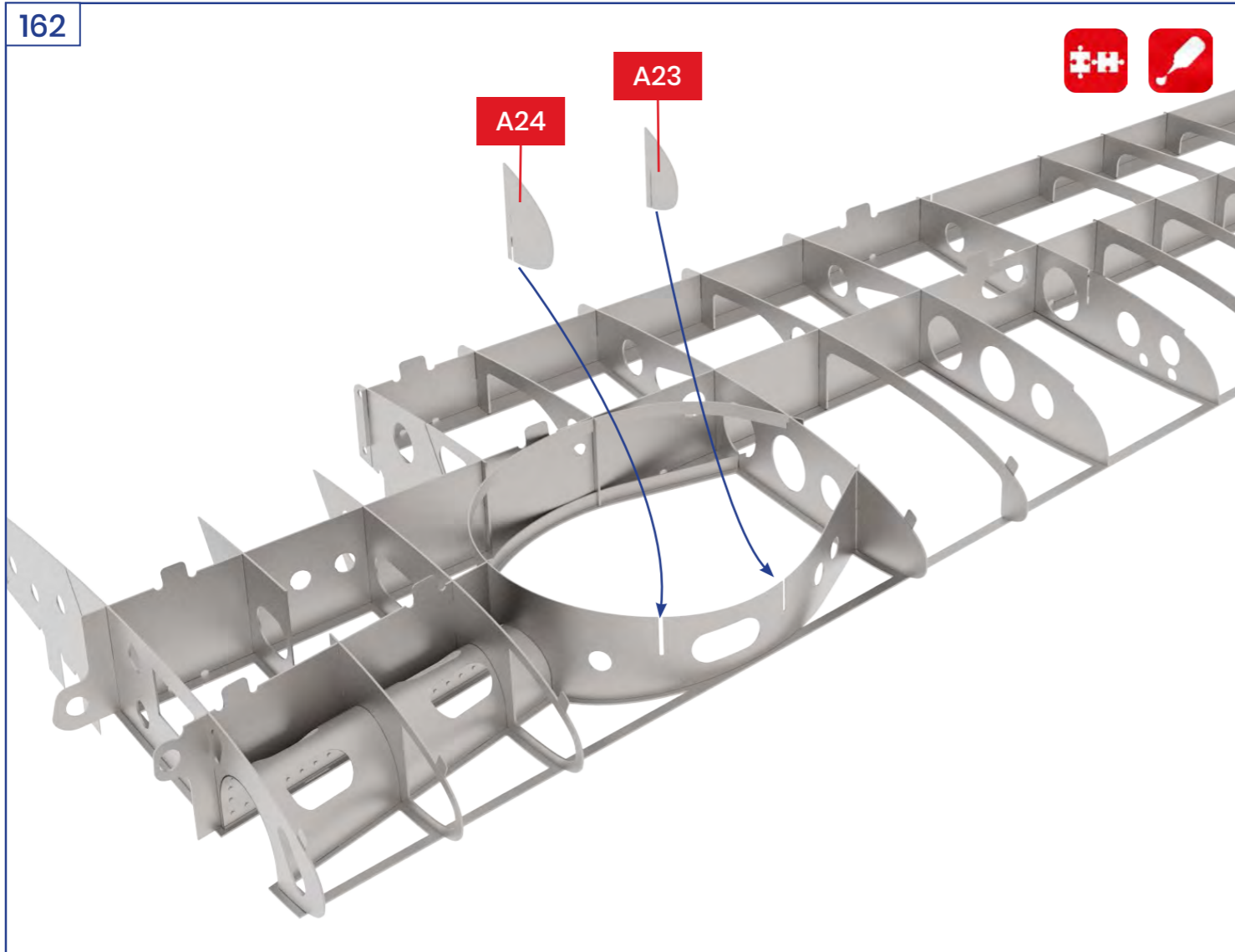
160



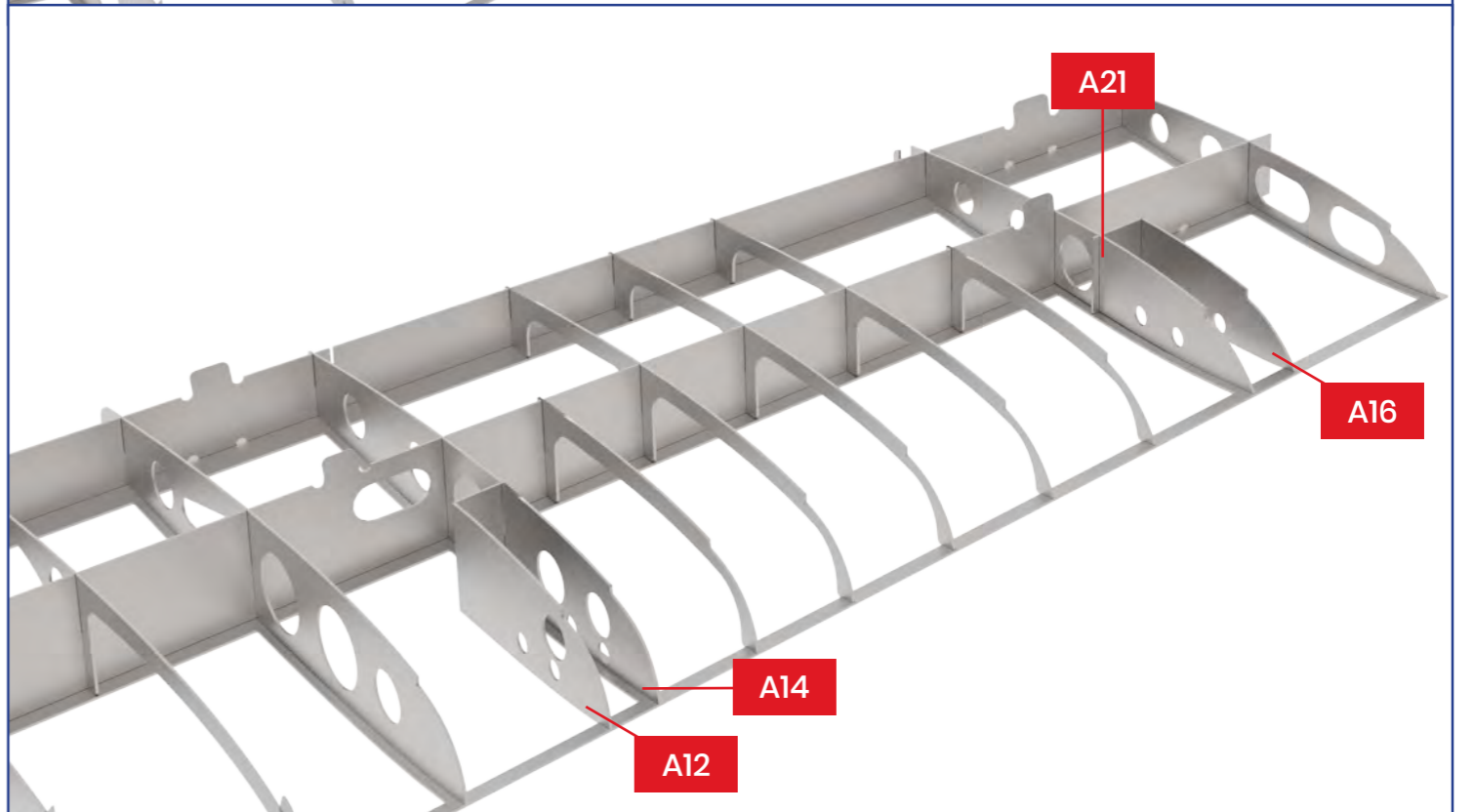
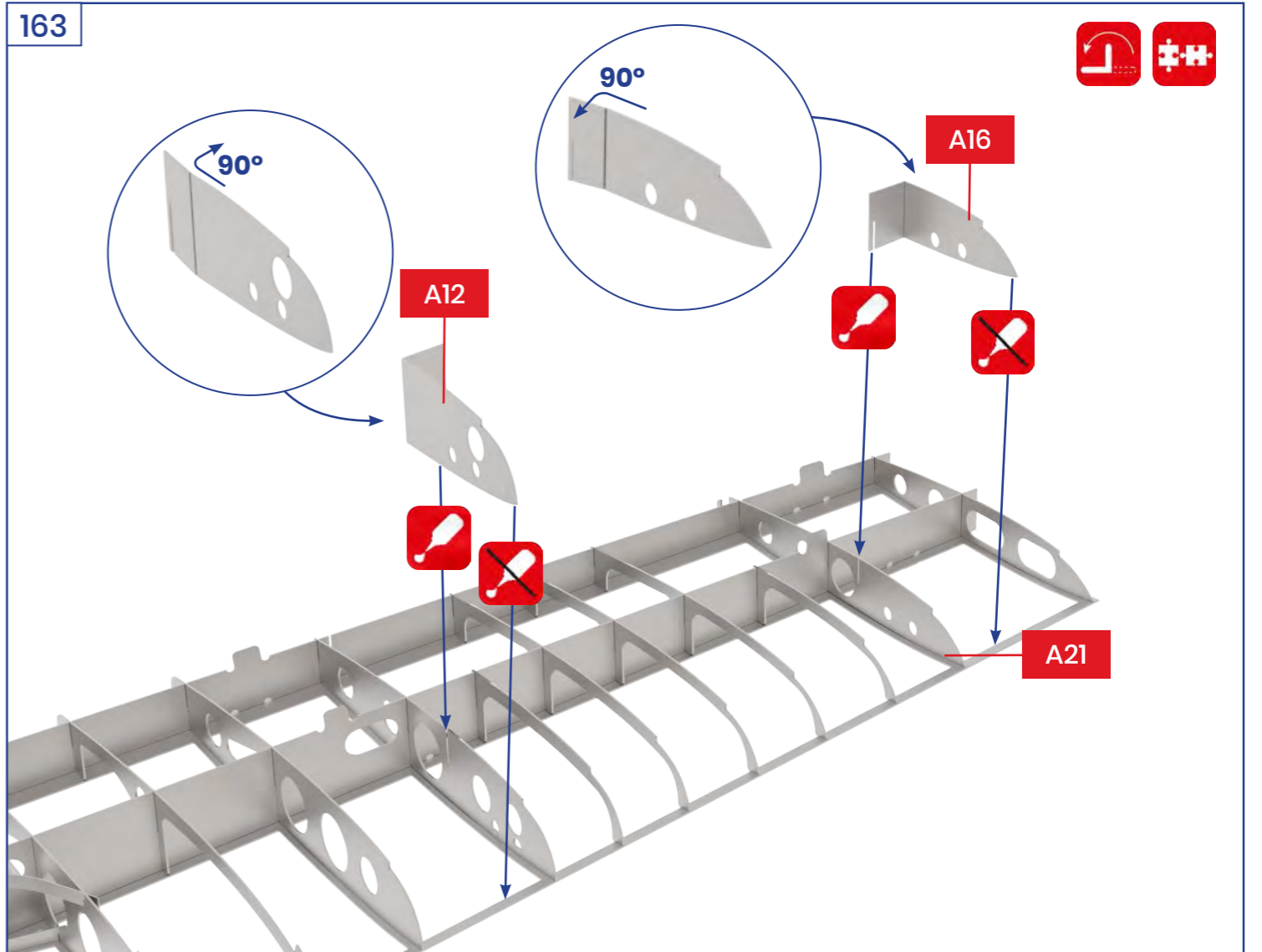
161



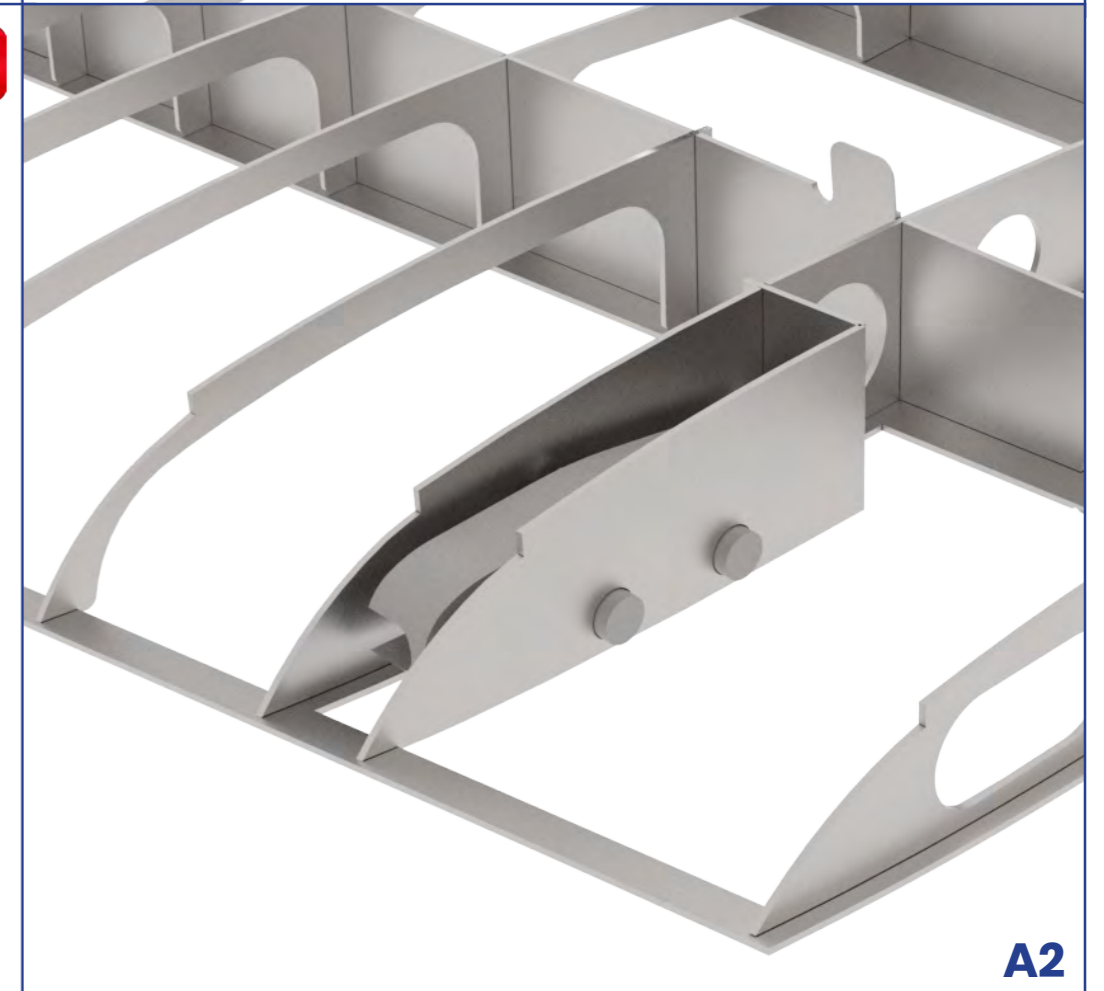
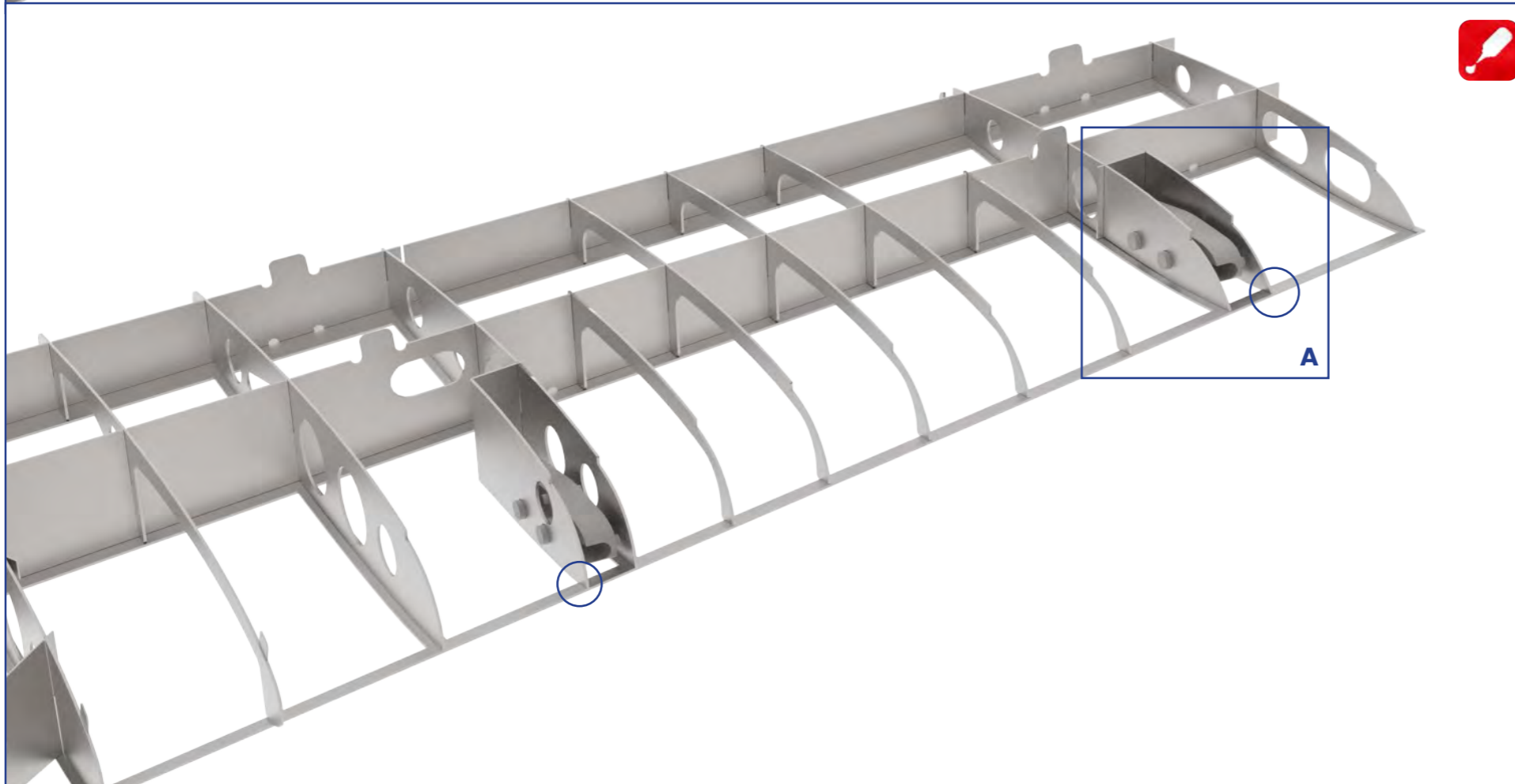
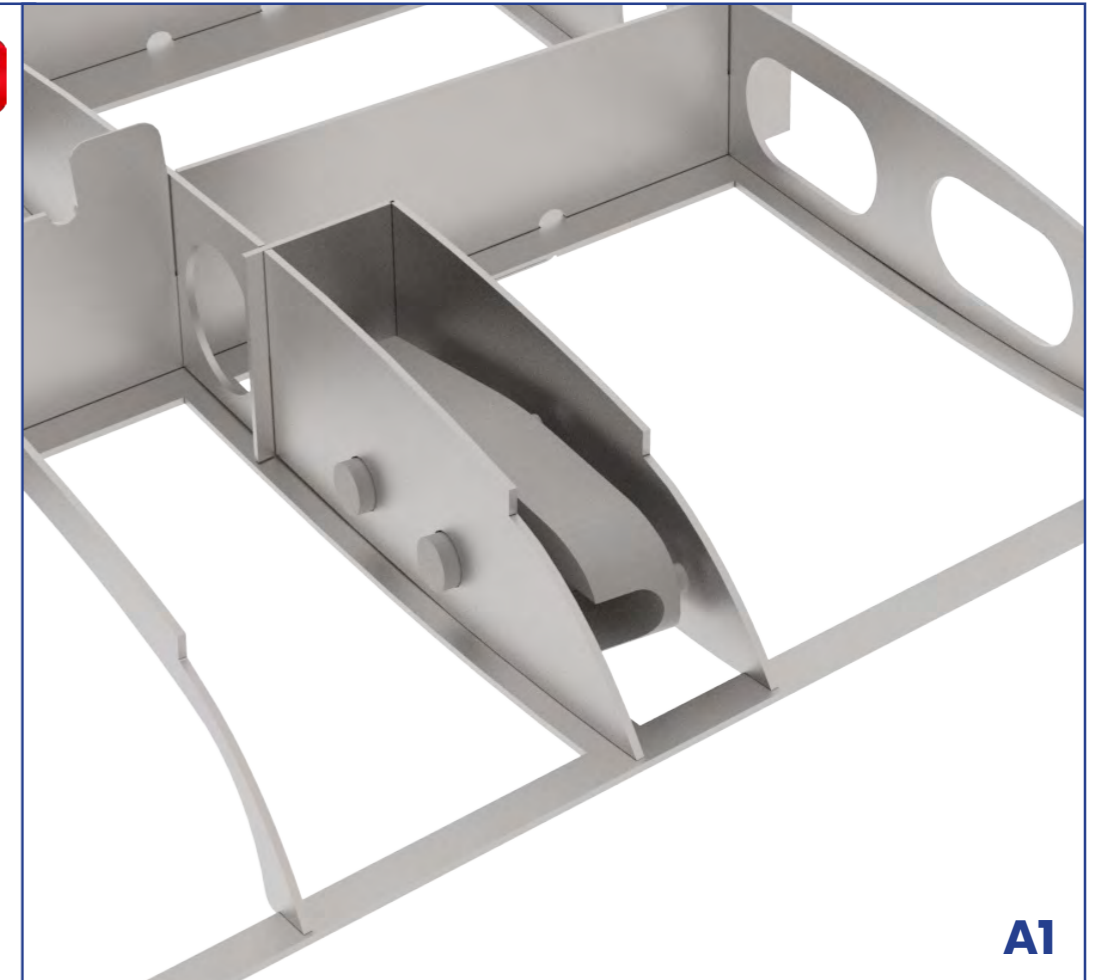
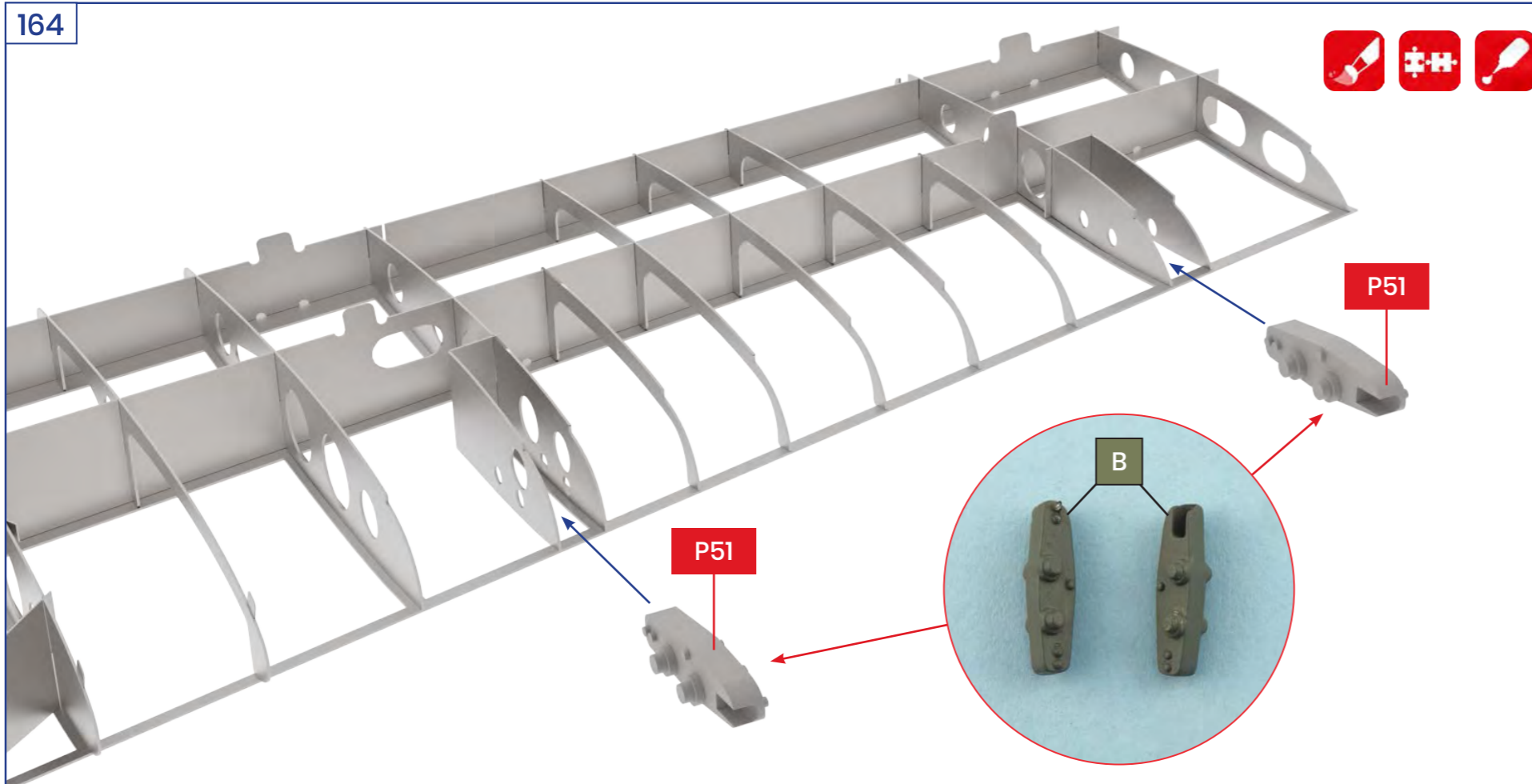
162



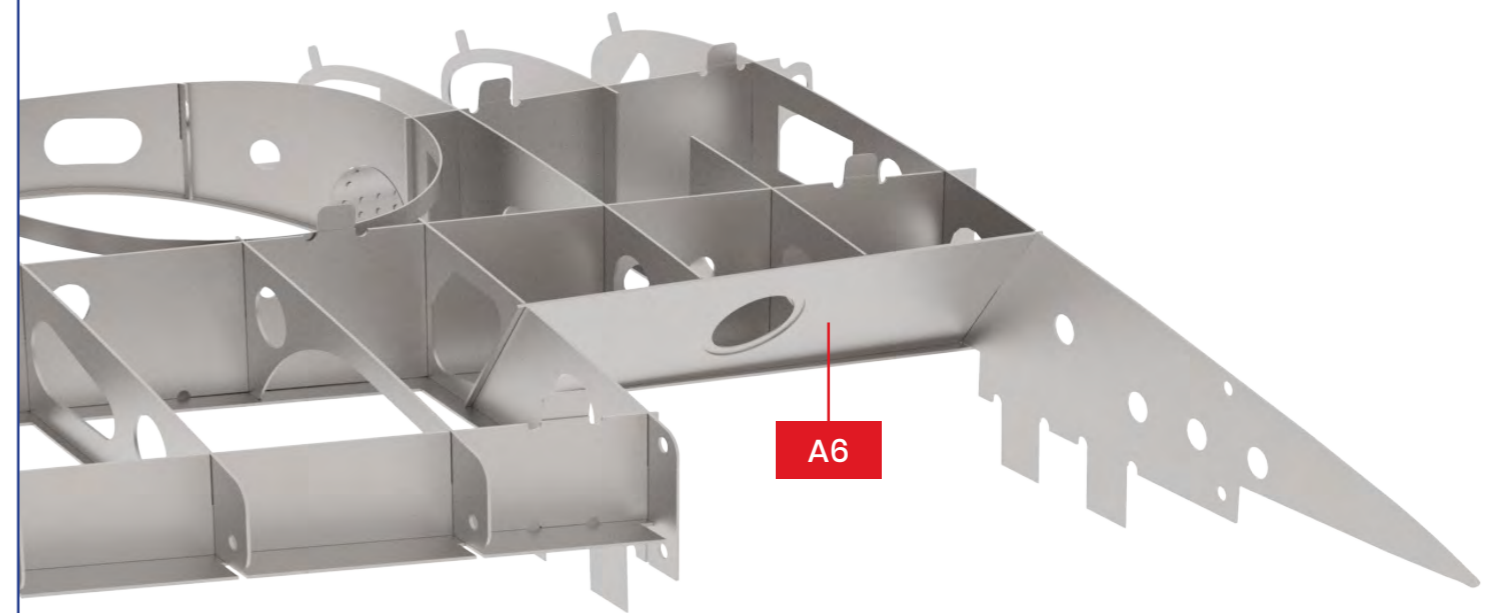
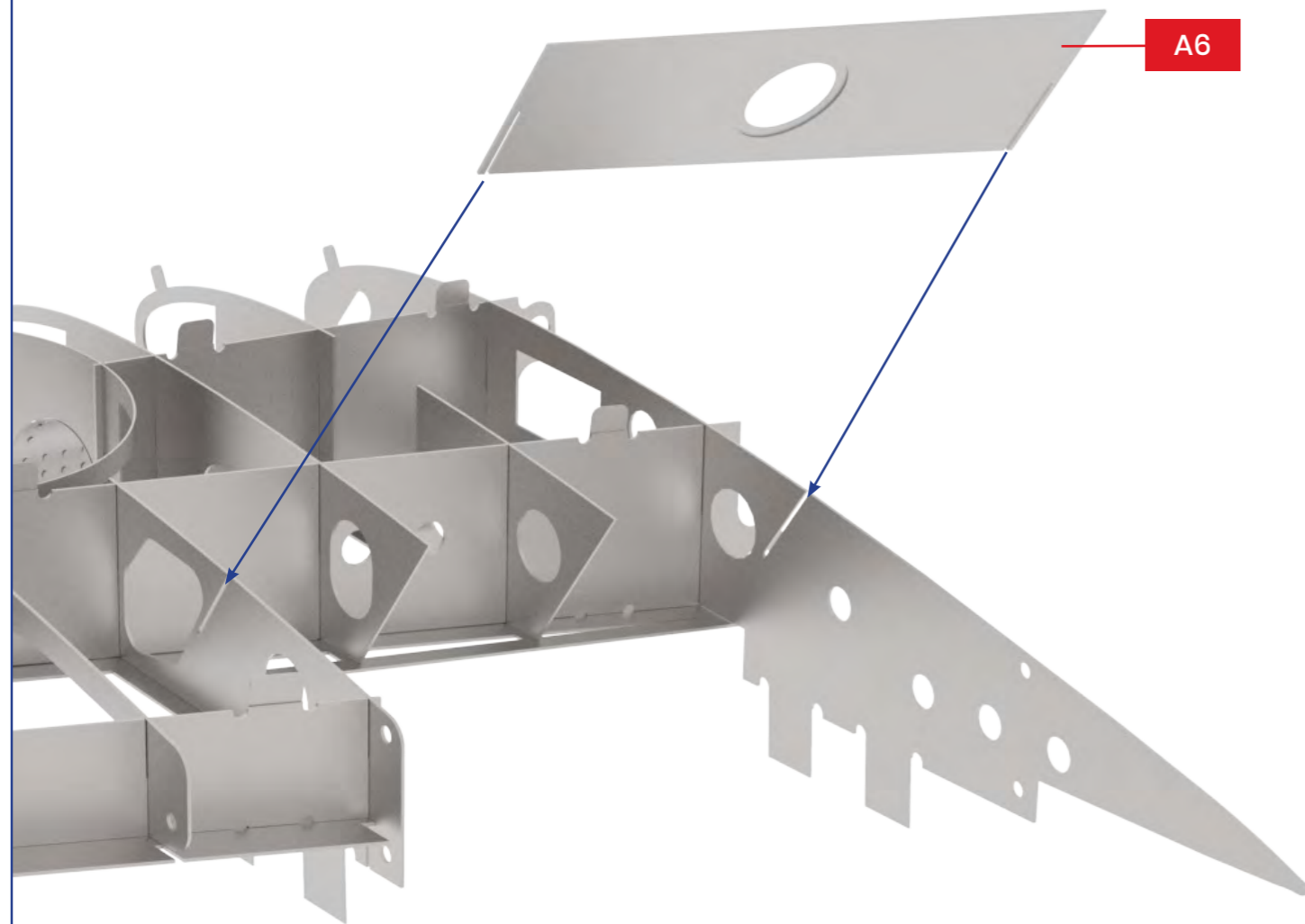
163



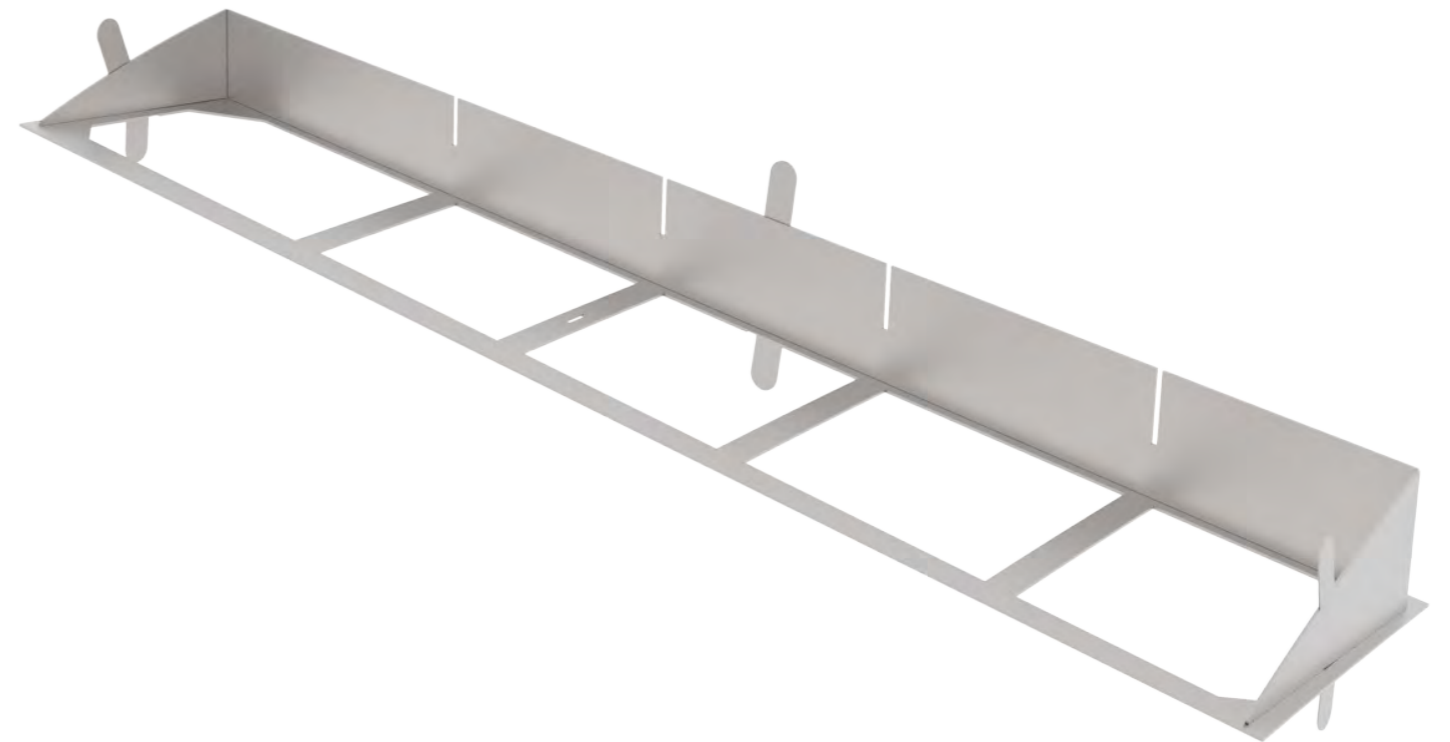
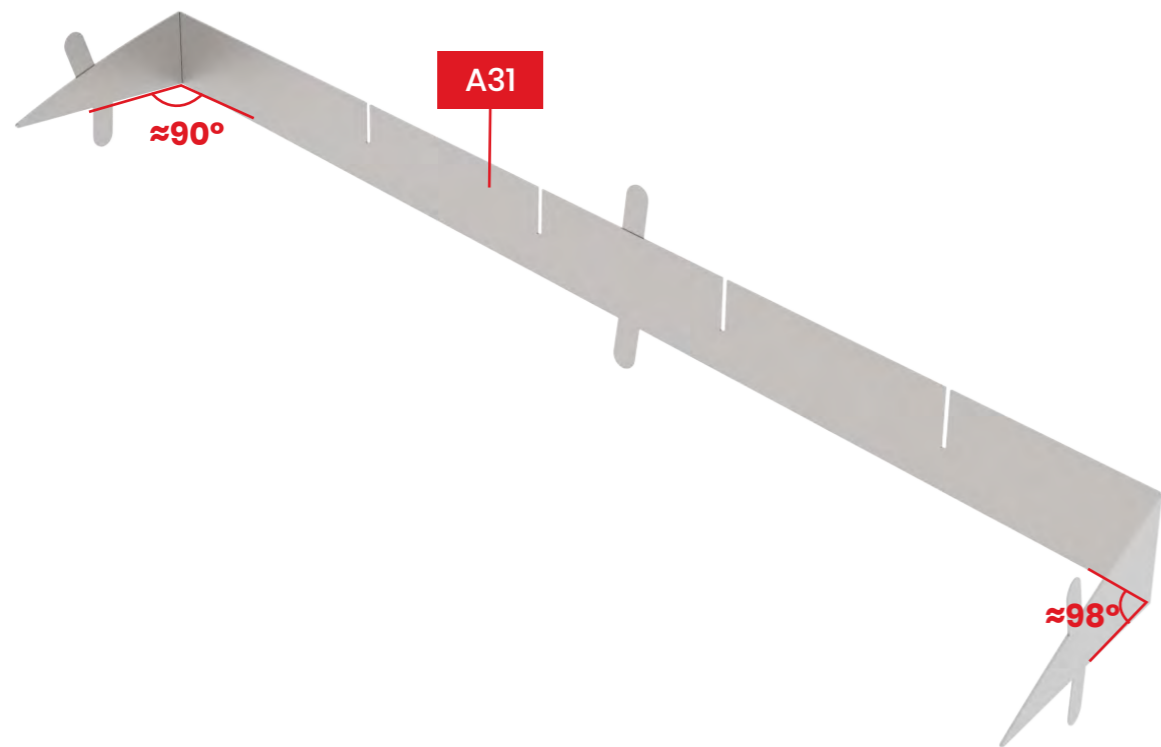
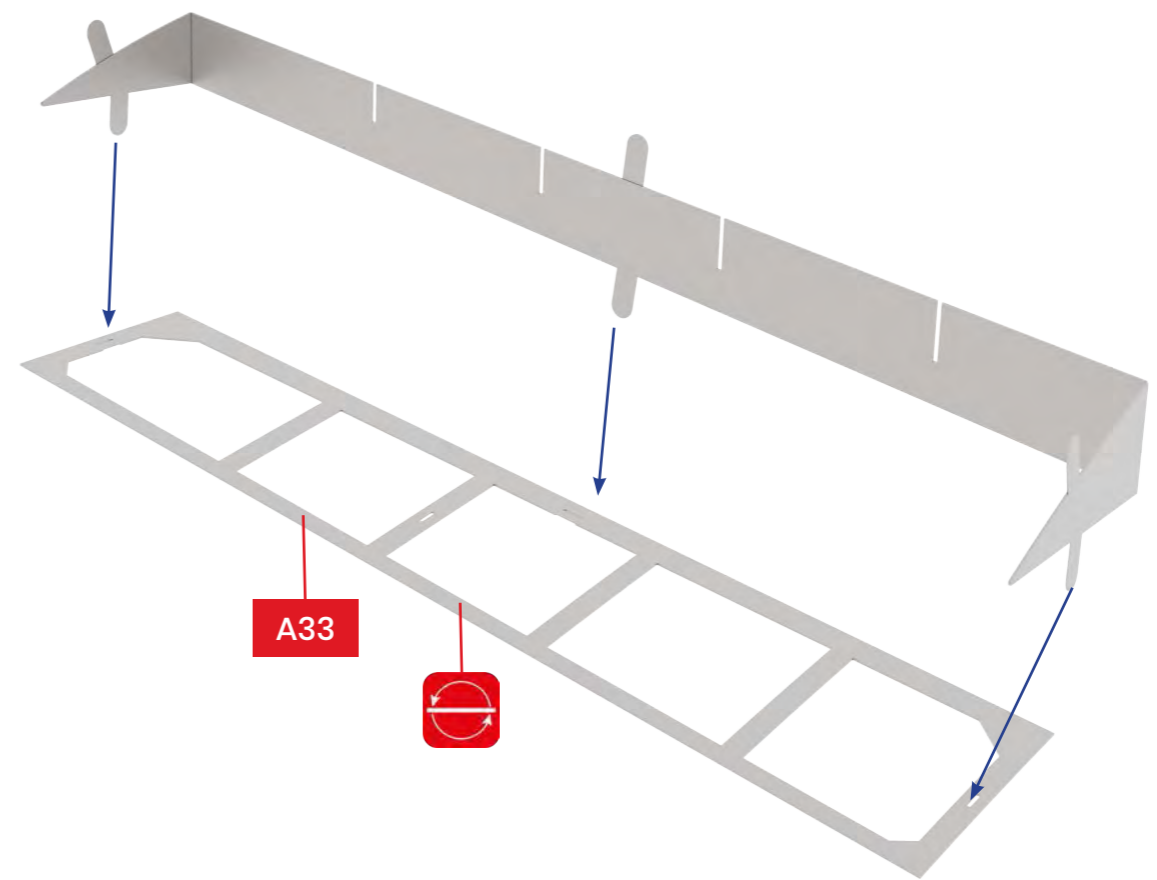
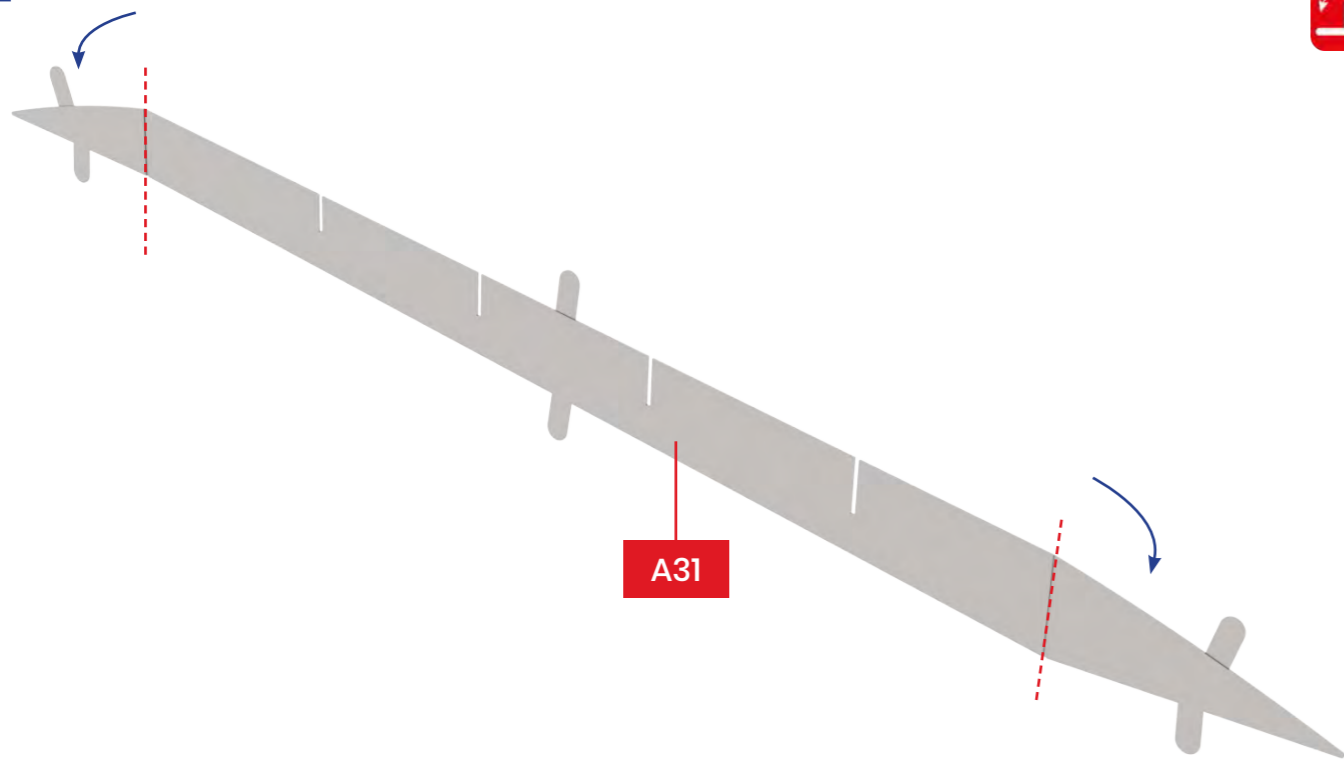
164



165

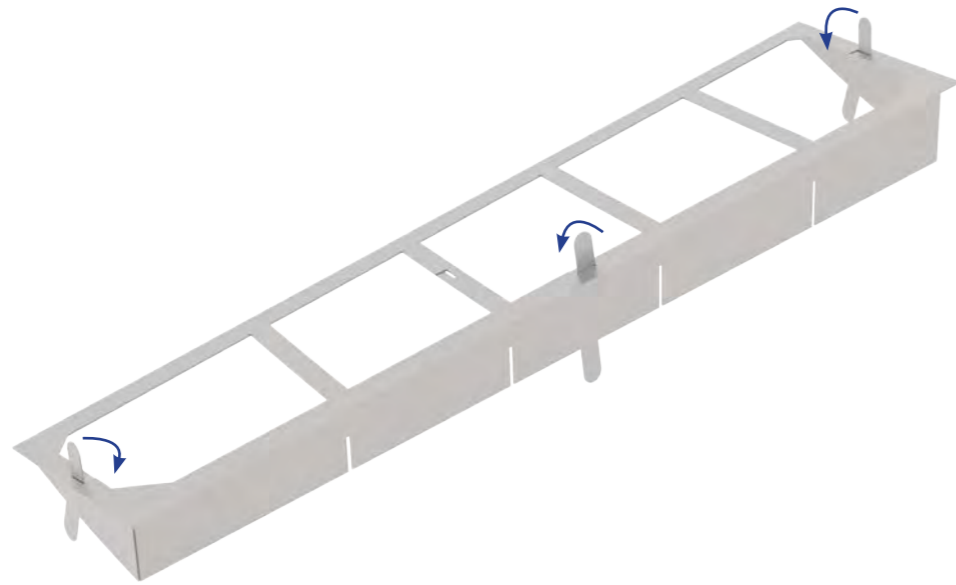


166

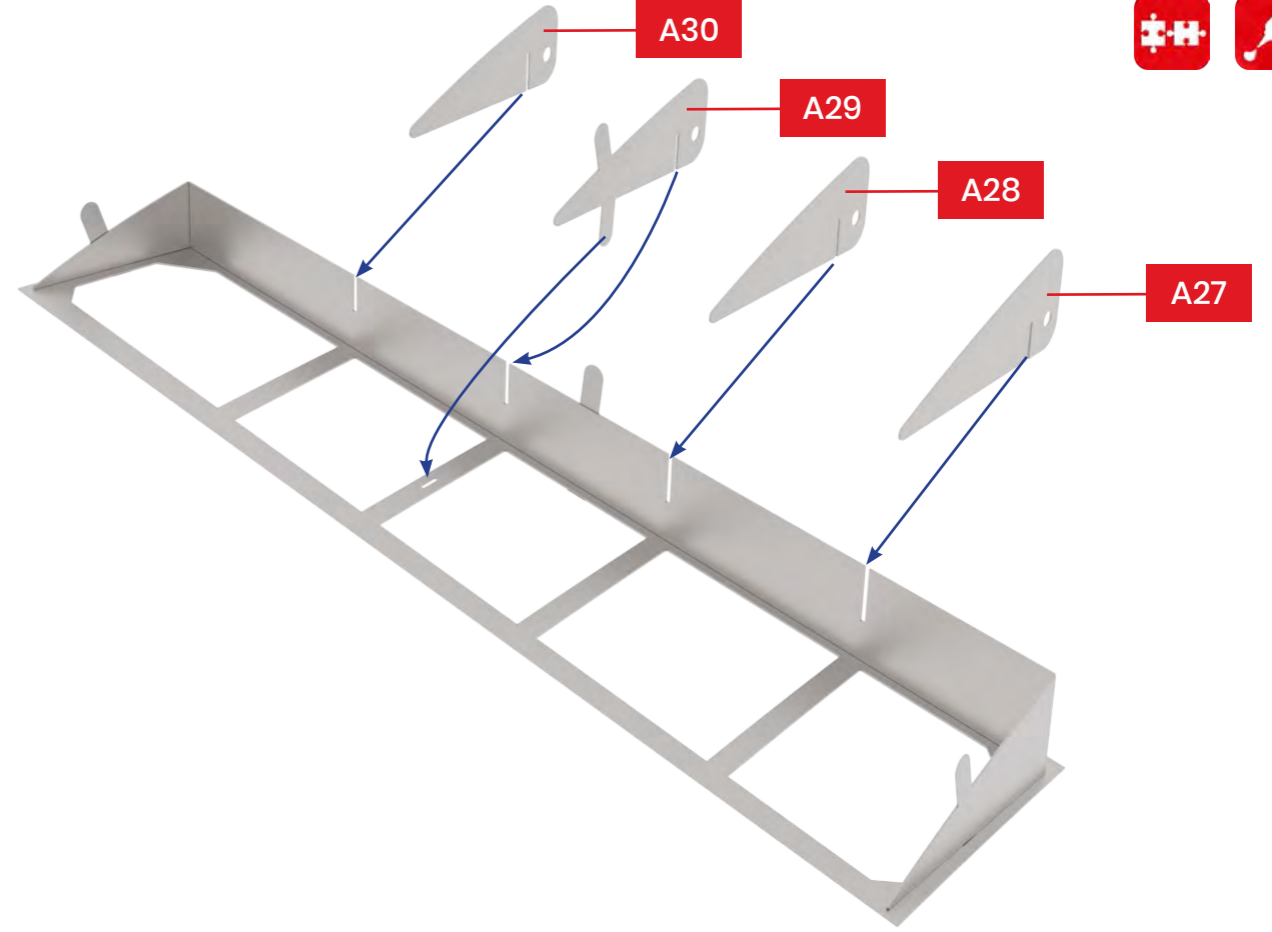


167

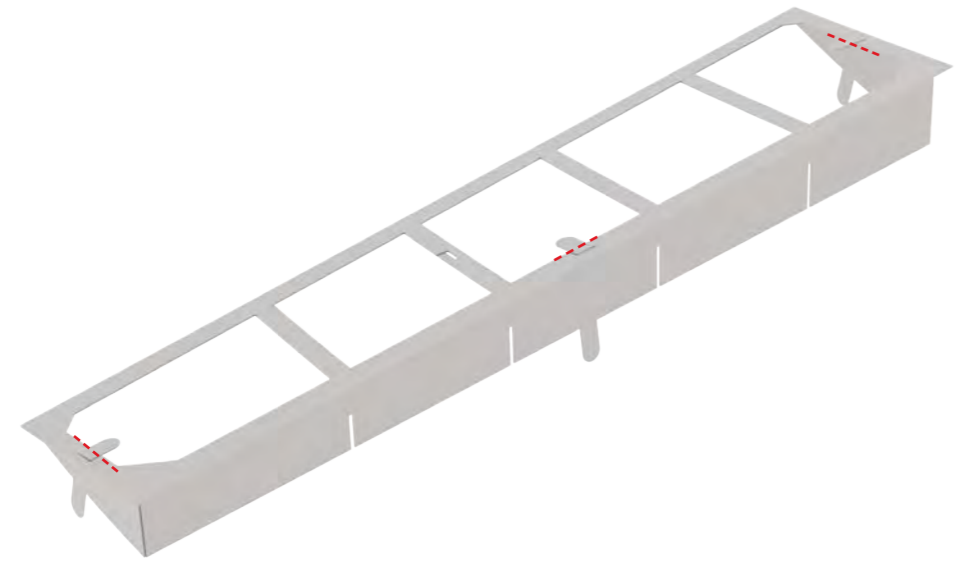
**BOTTOM
VIEW**



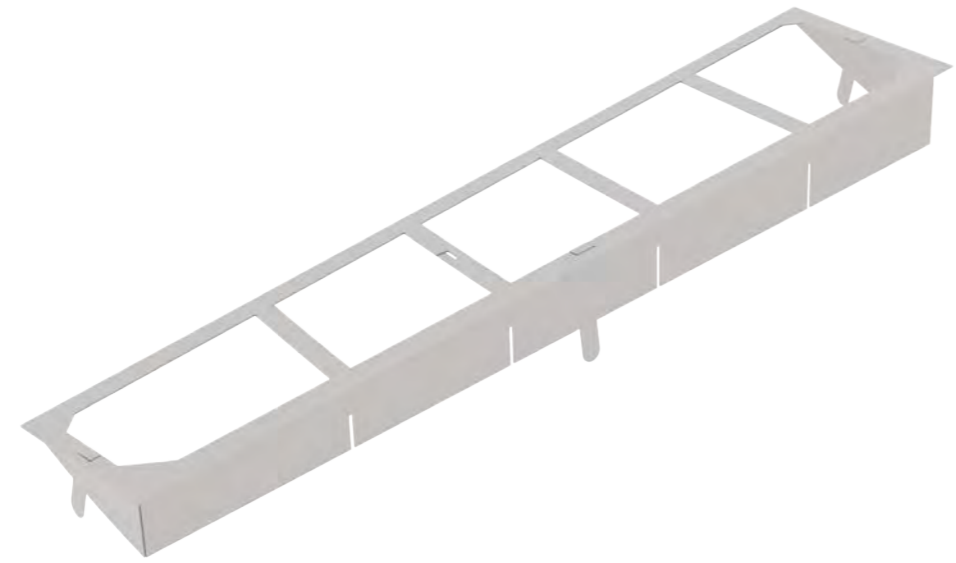
168



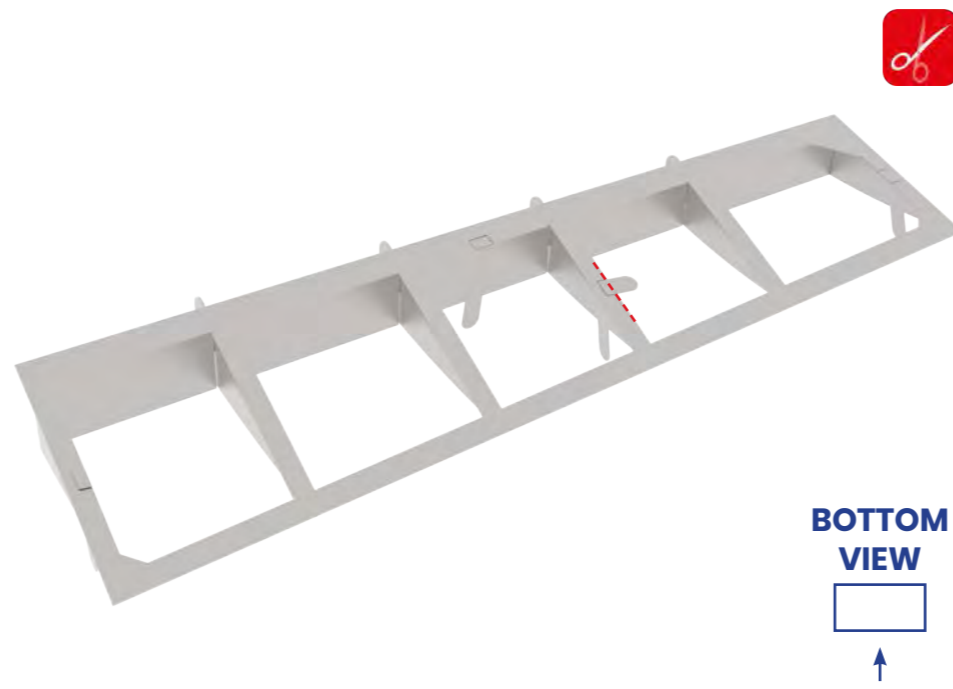
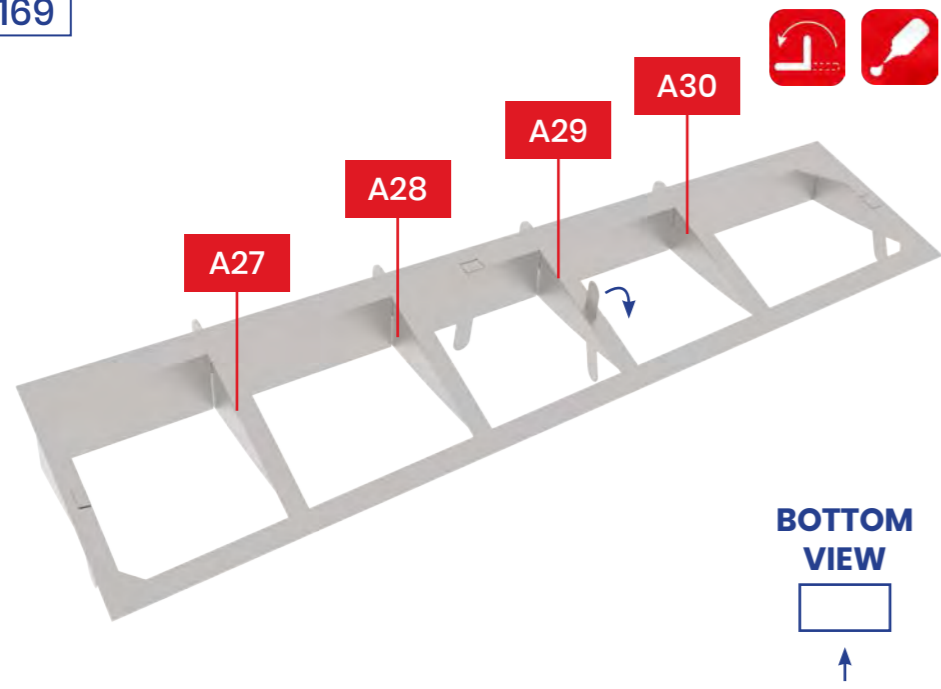
**BOTTOM
VIEW**



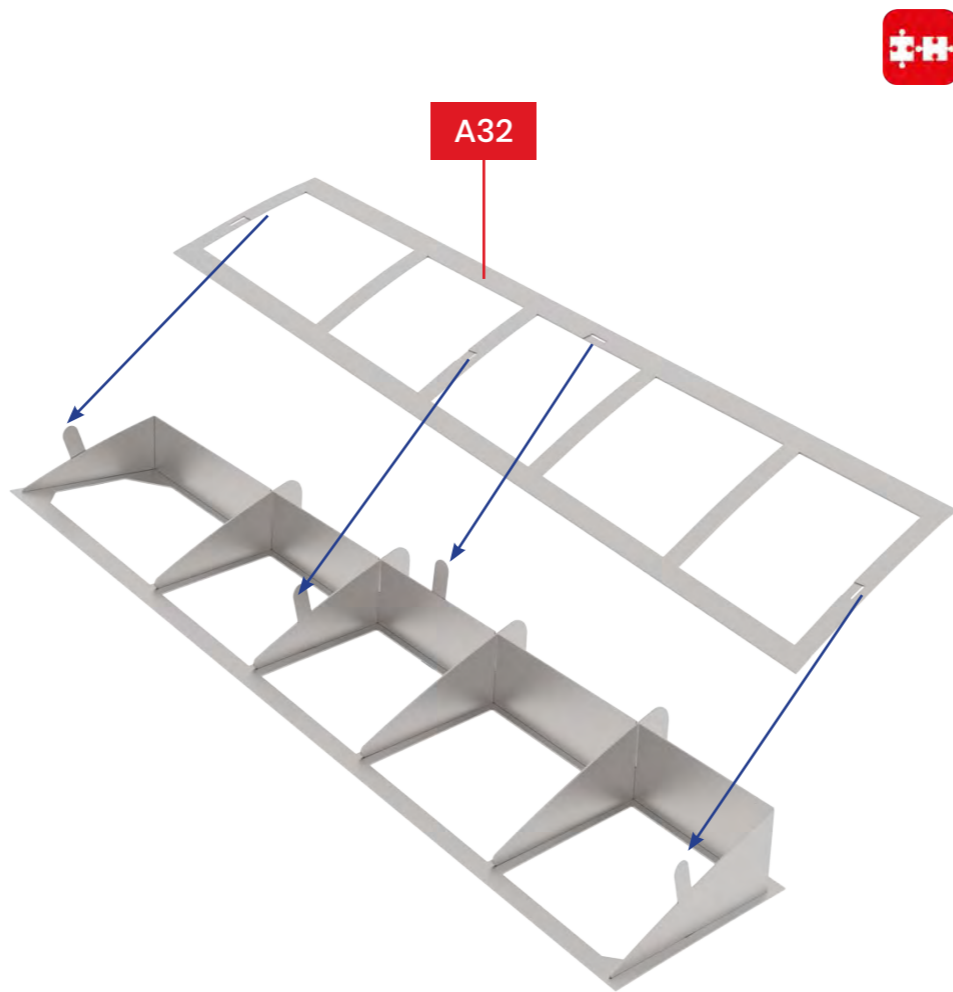
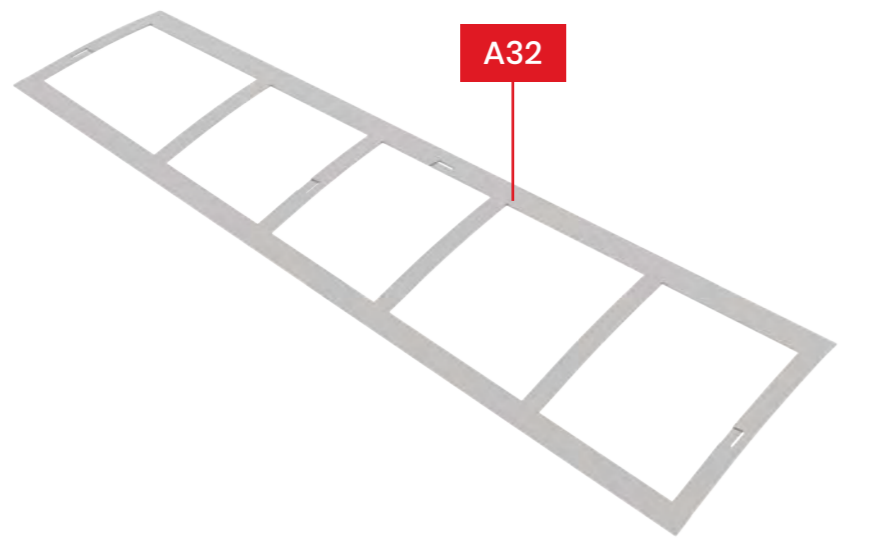
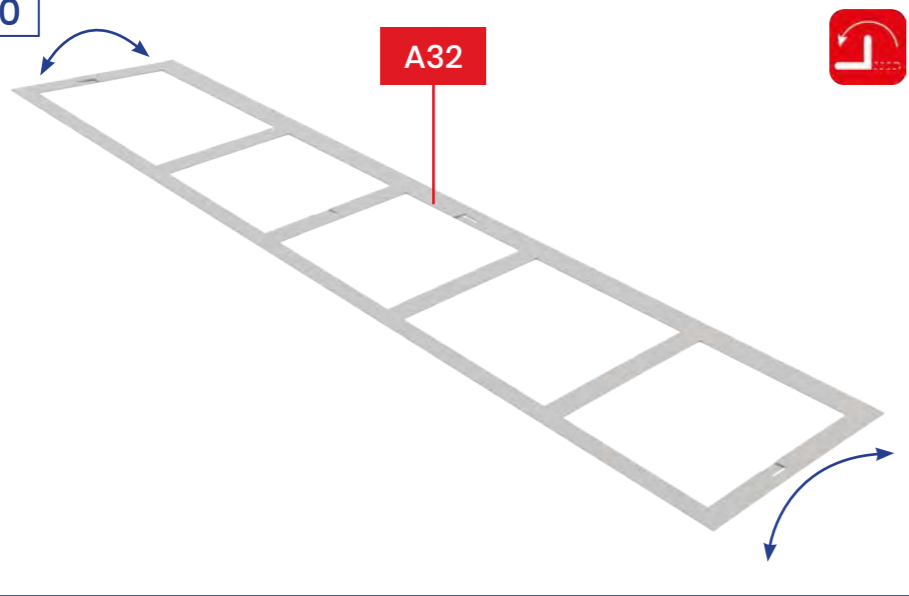
**BOTTOM
VIEW**



169



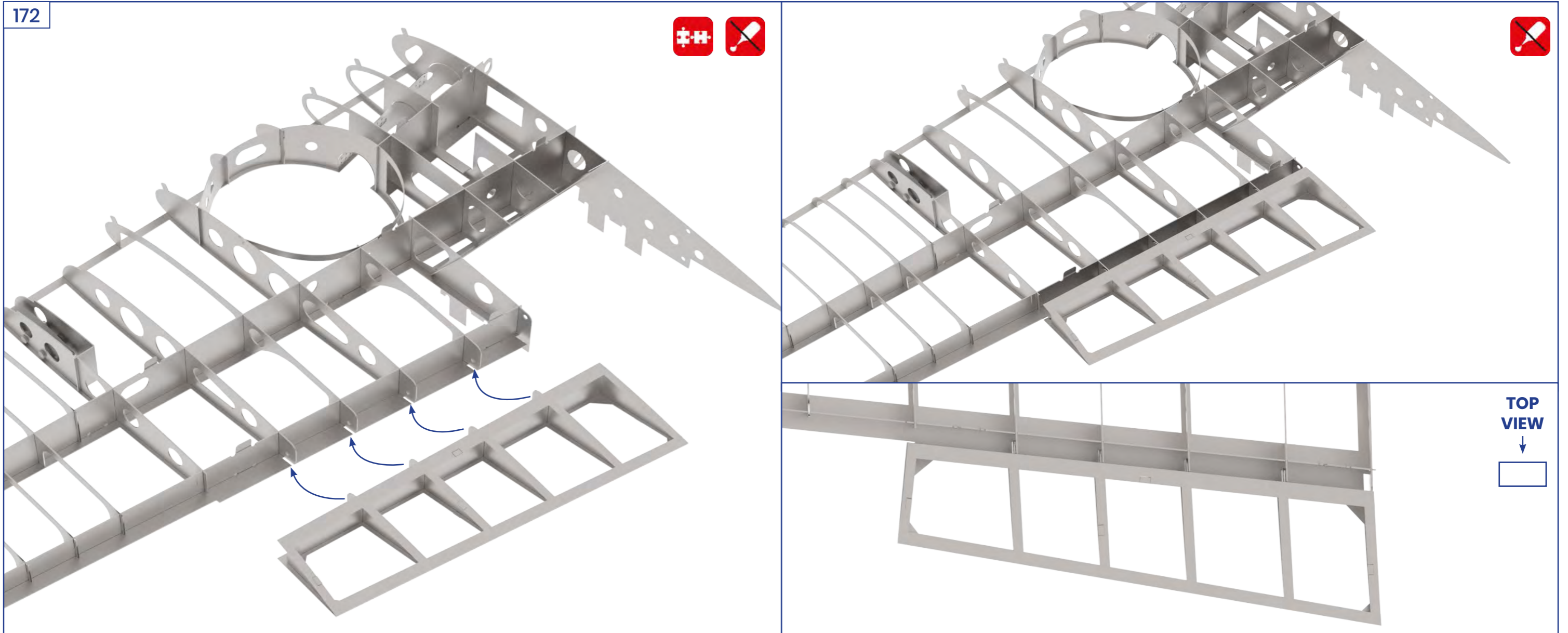
170



171

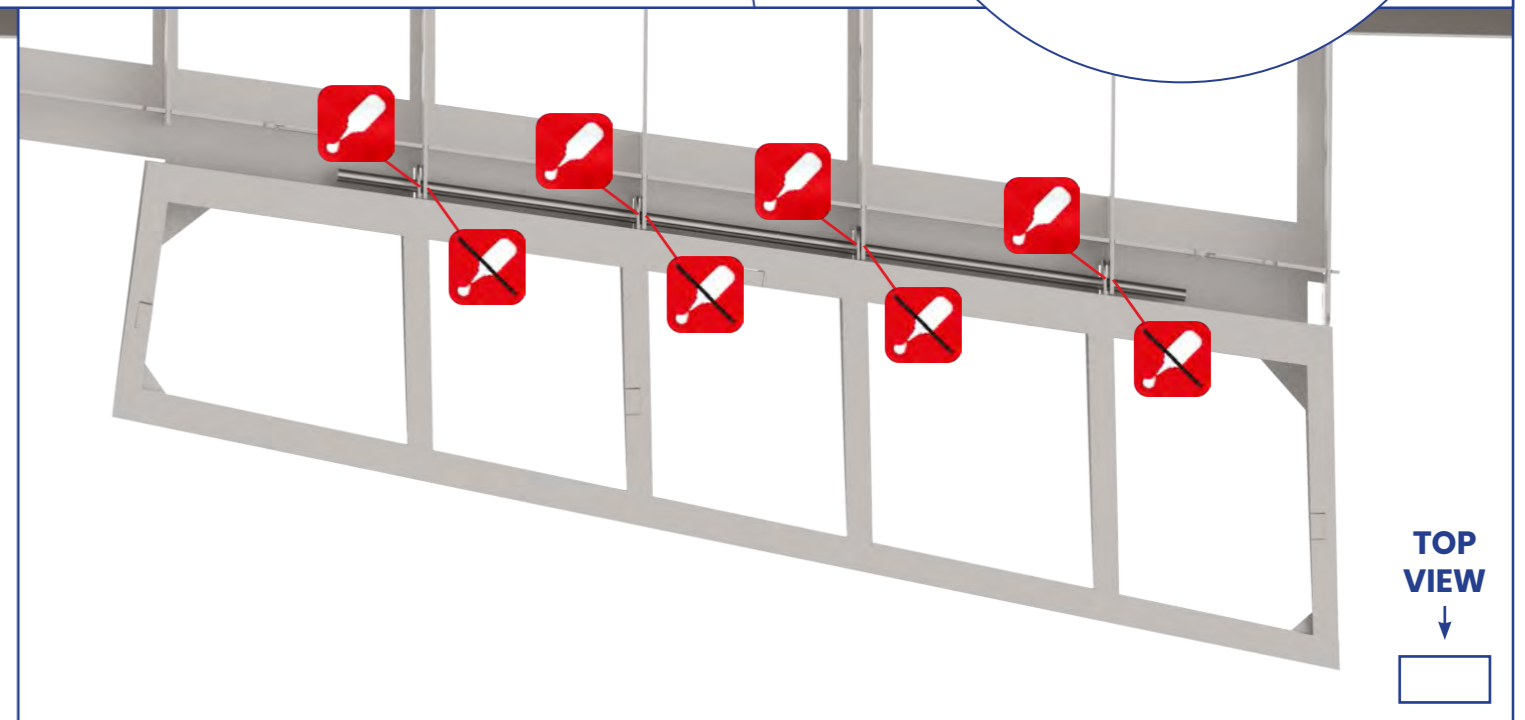
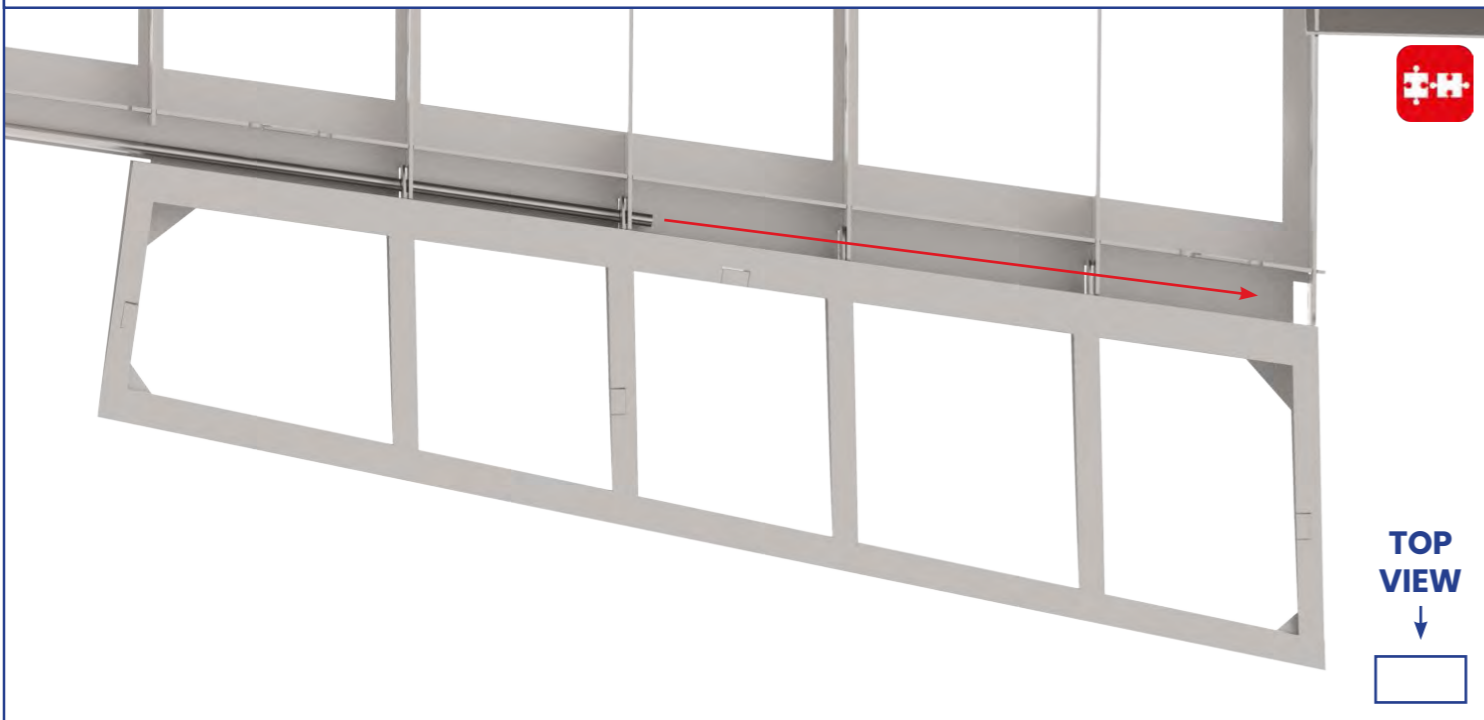
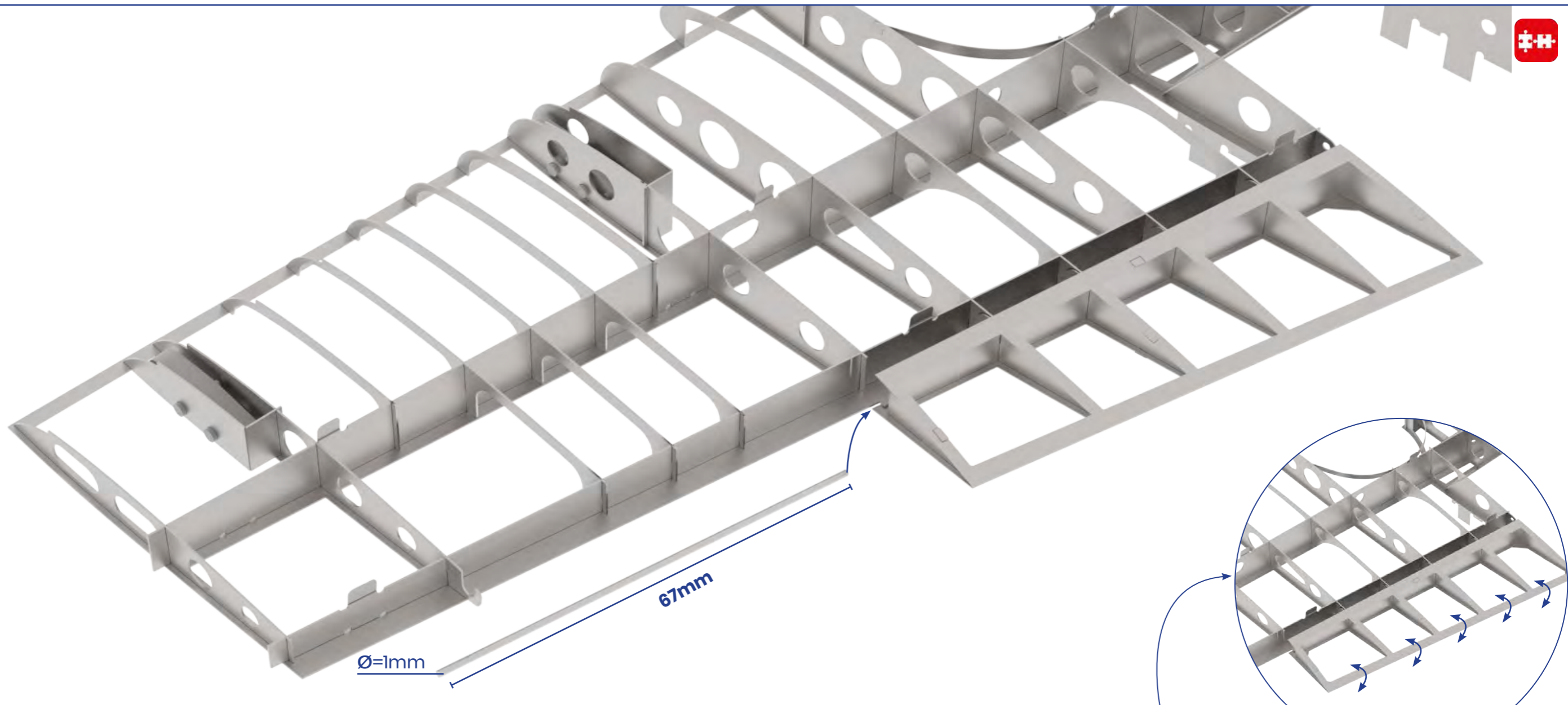


172

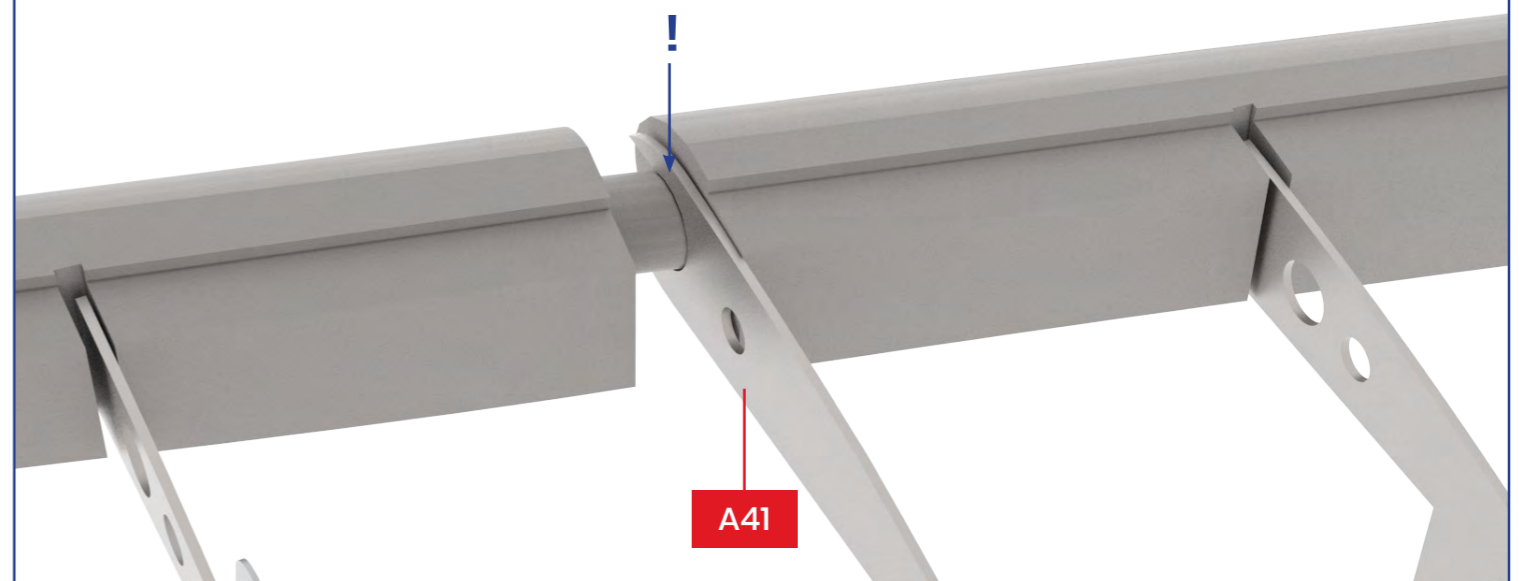
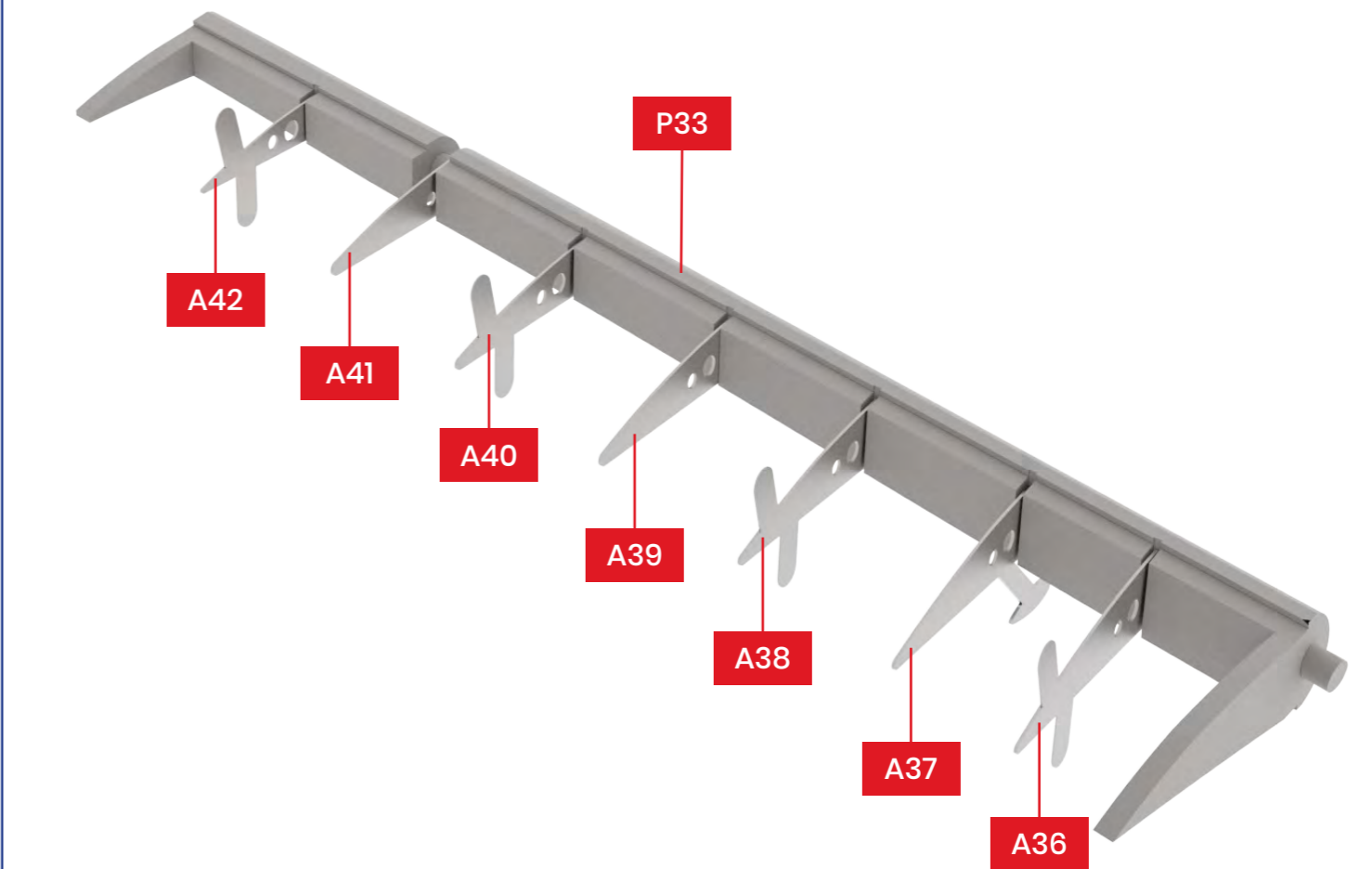
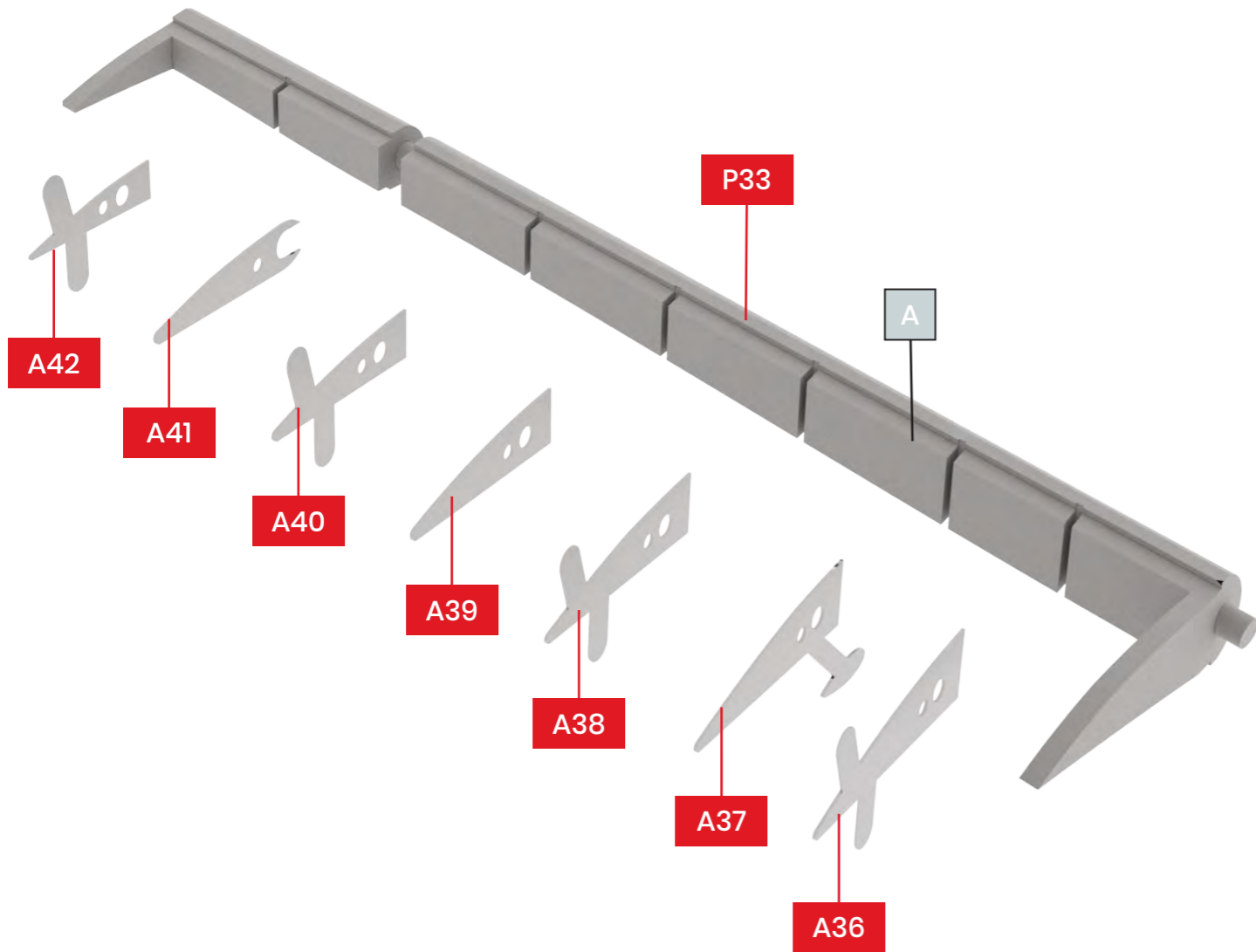


TOP
VIEW
↓
□

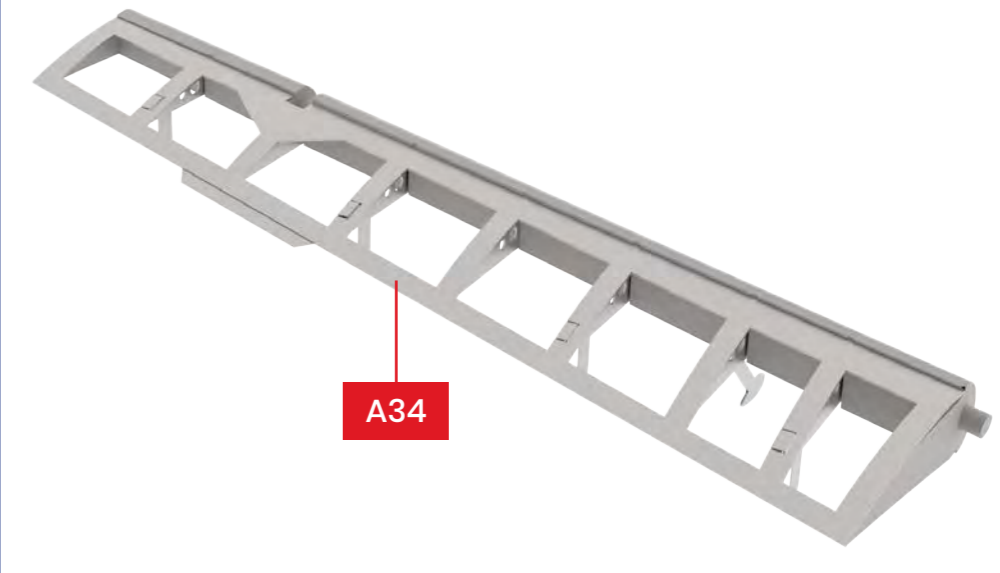
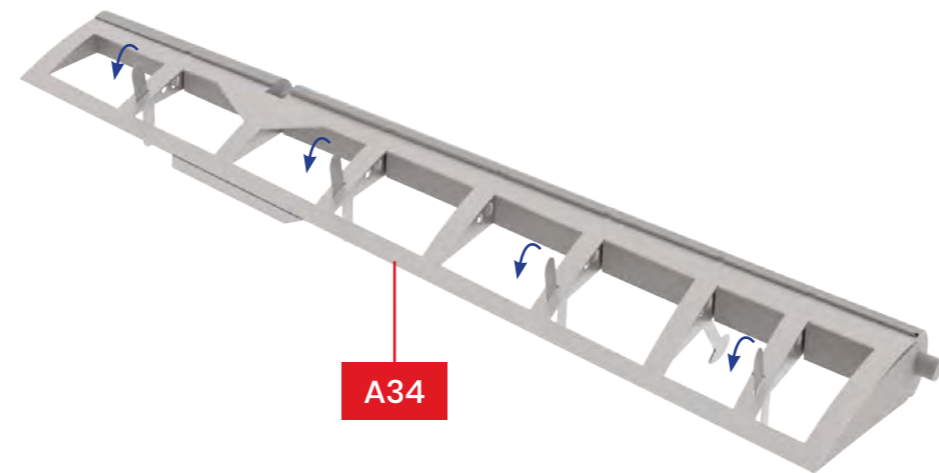
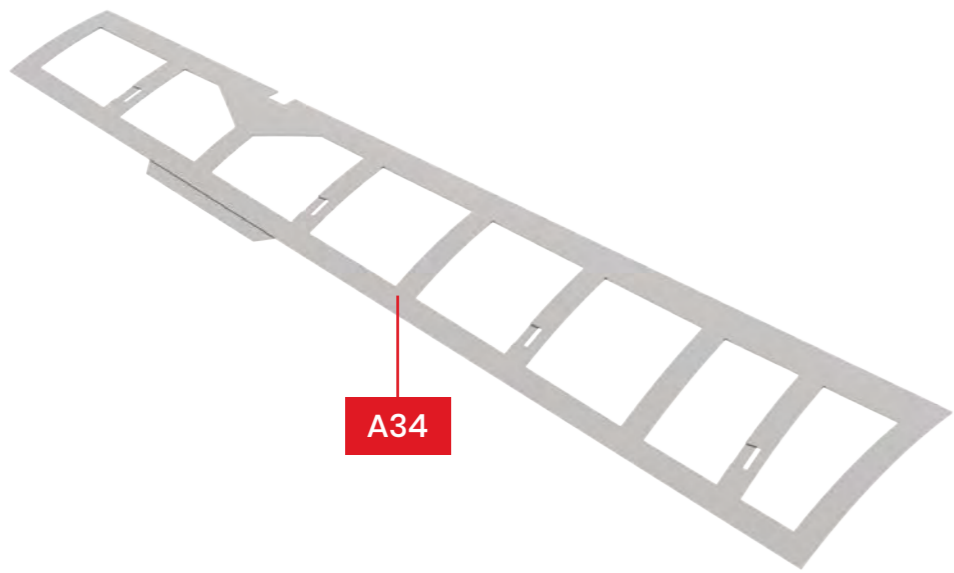
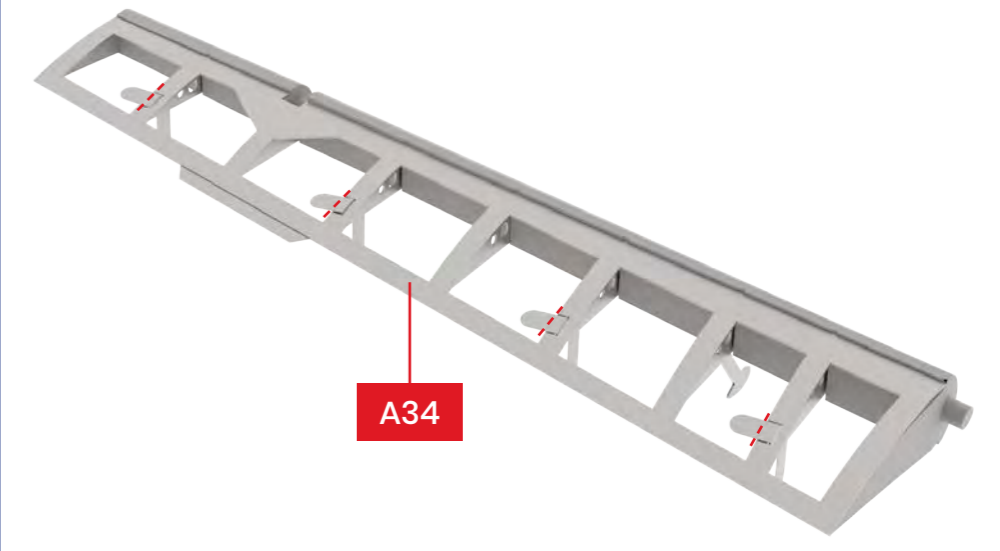
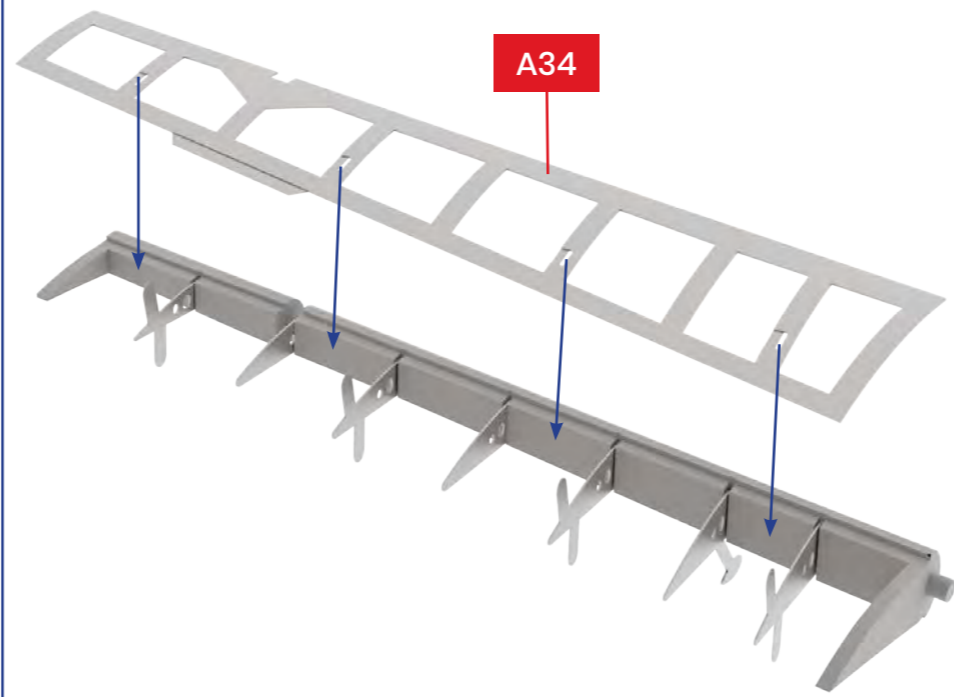
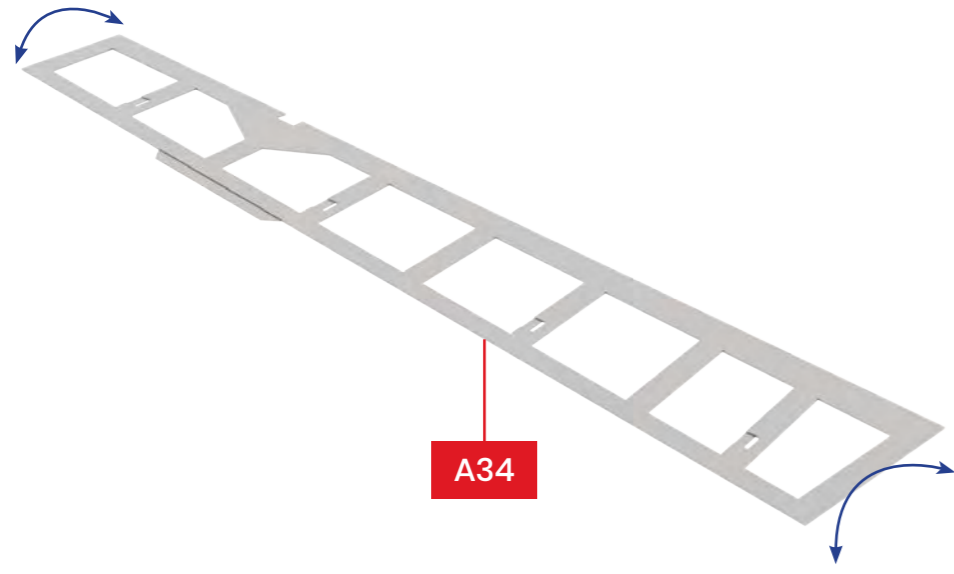
173



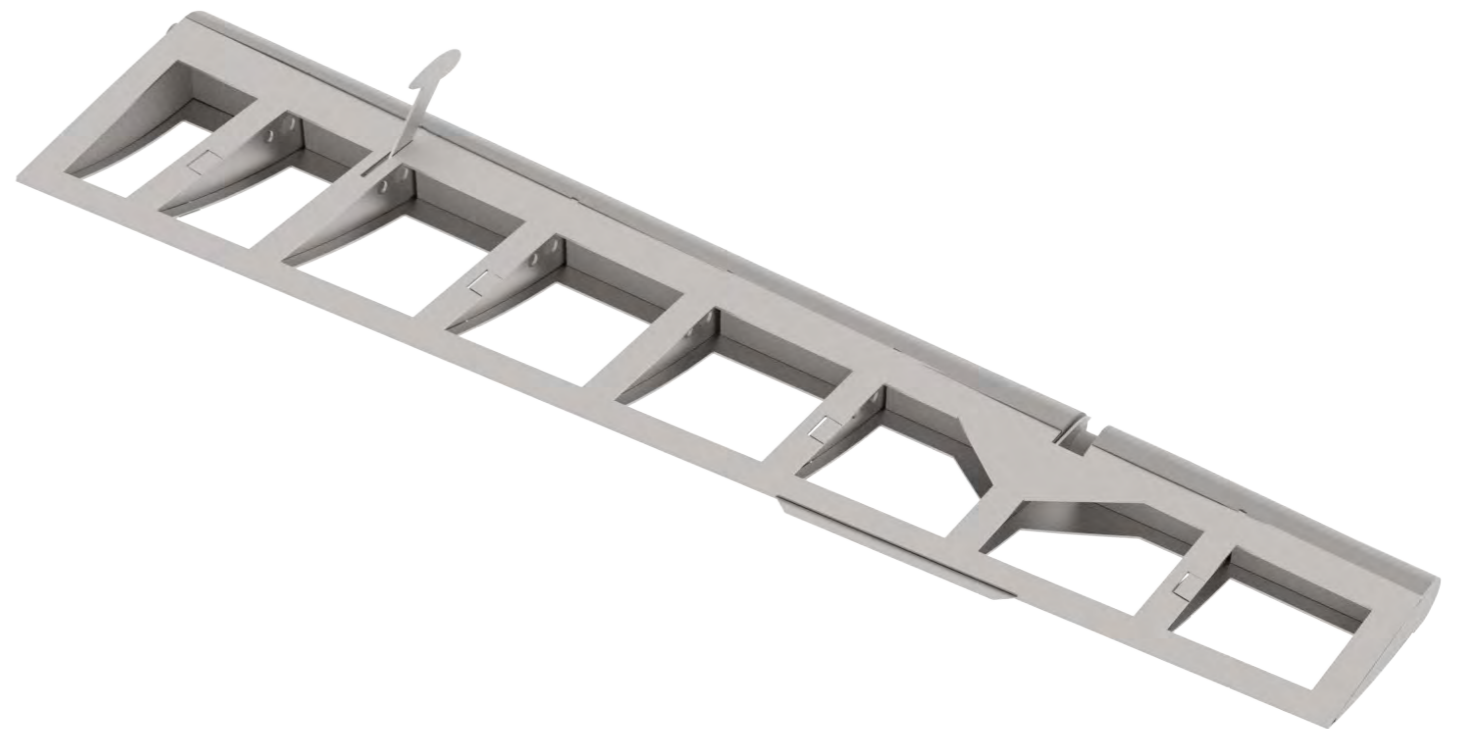
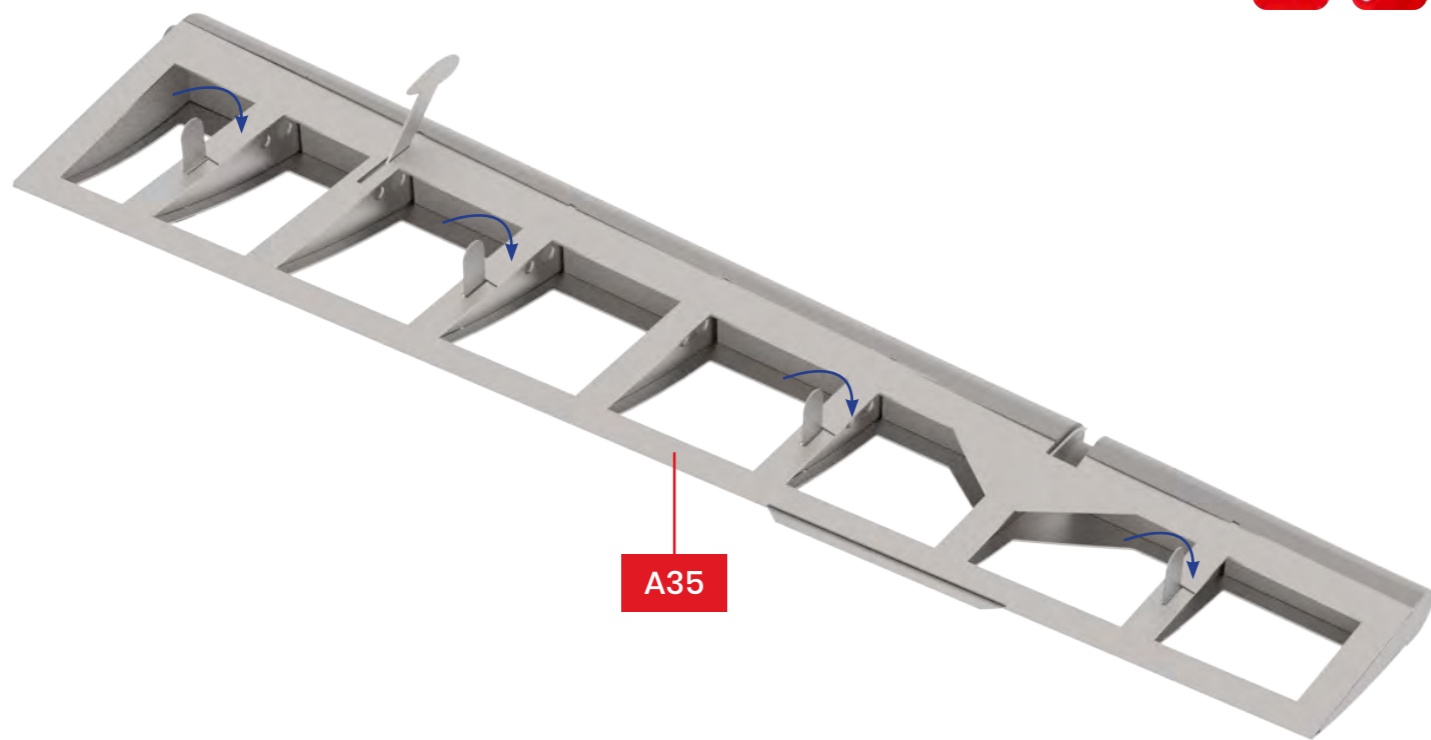
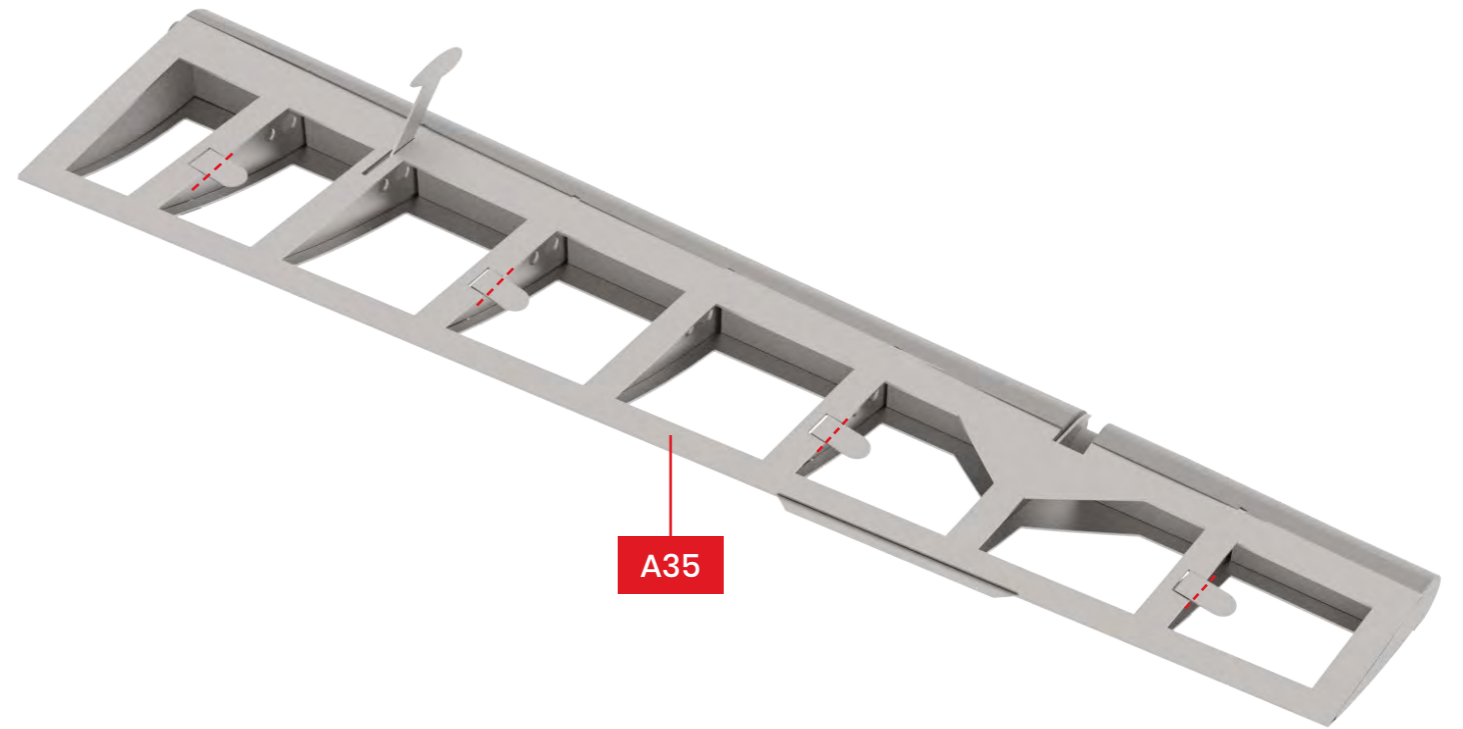
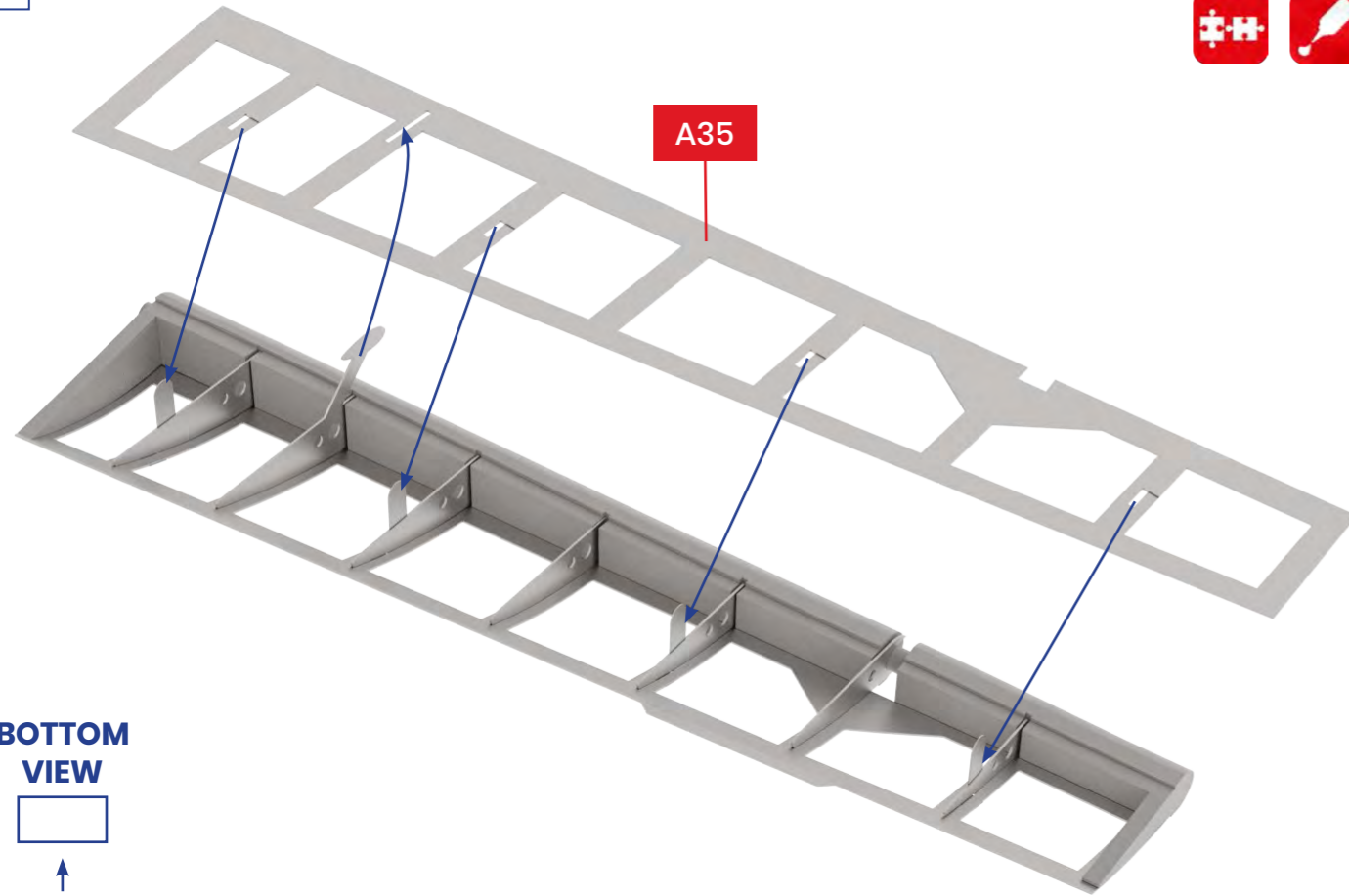
174



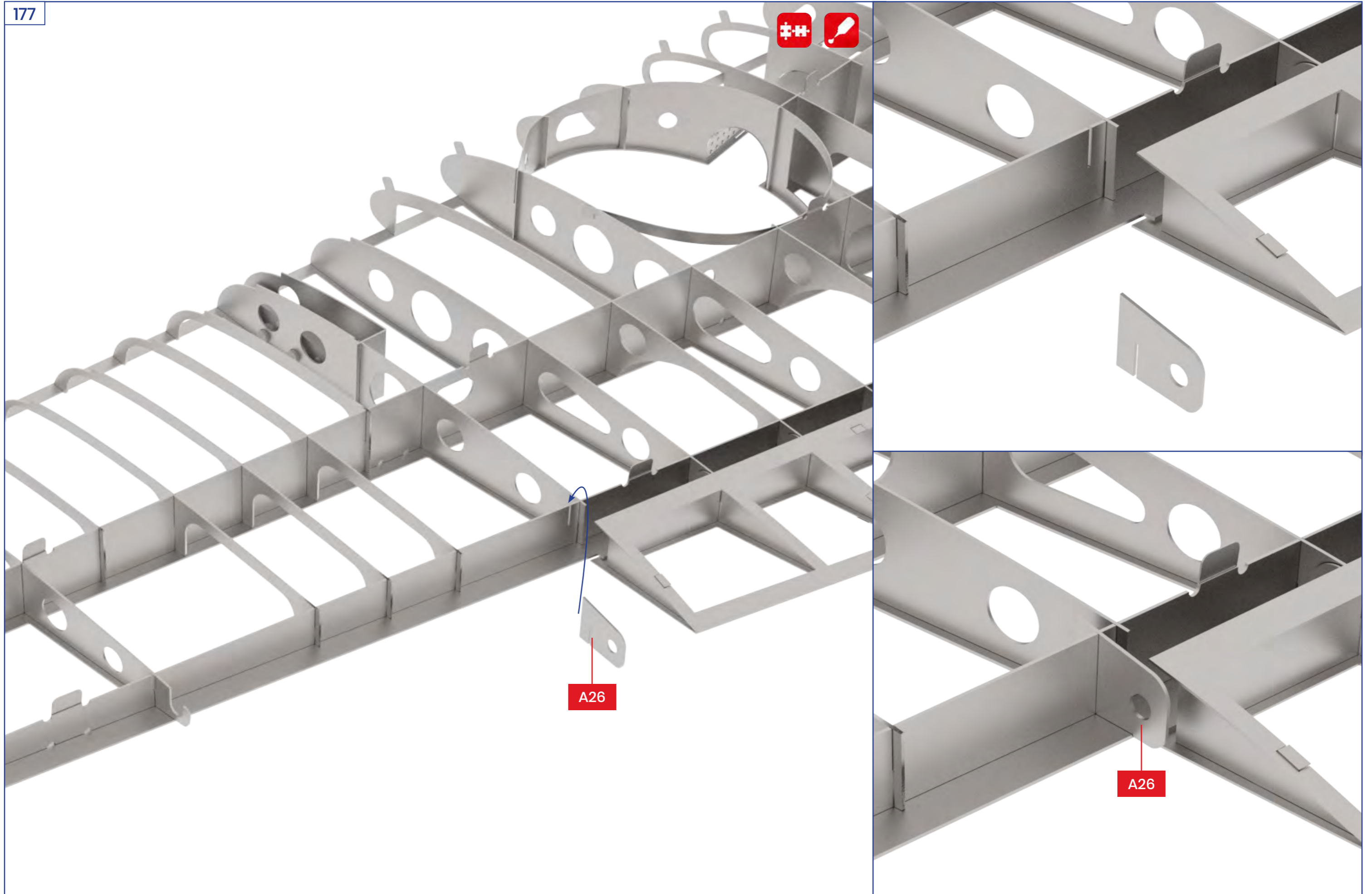
175



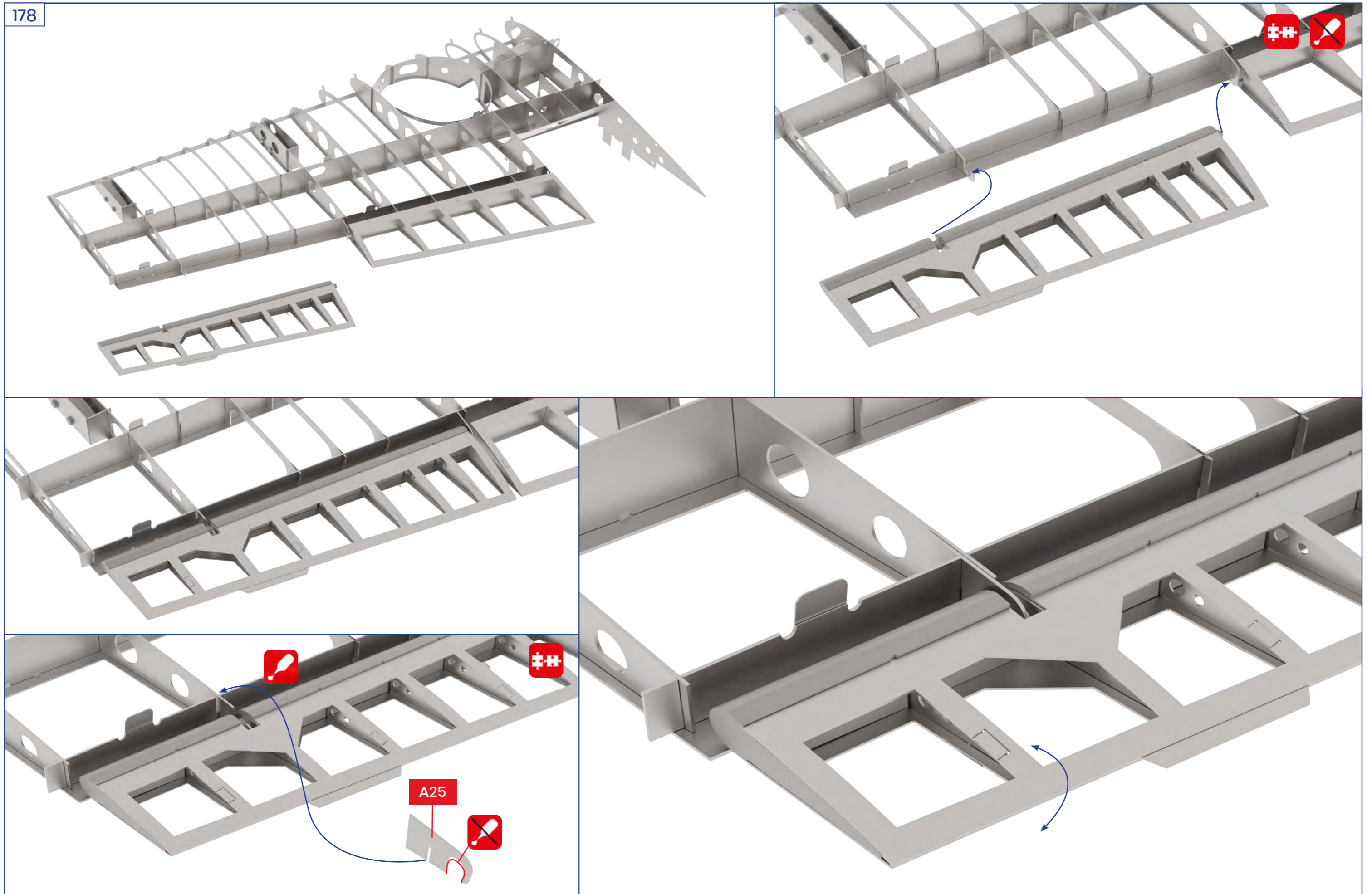
176



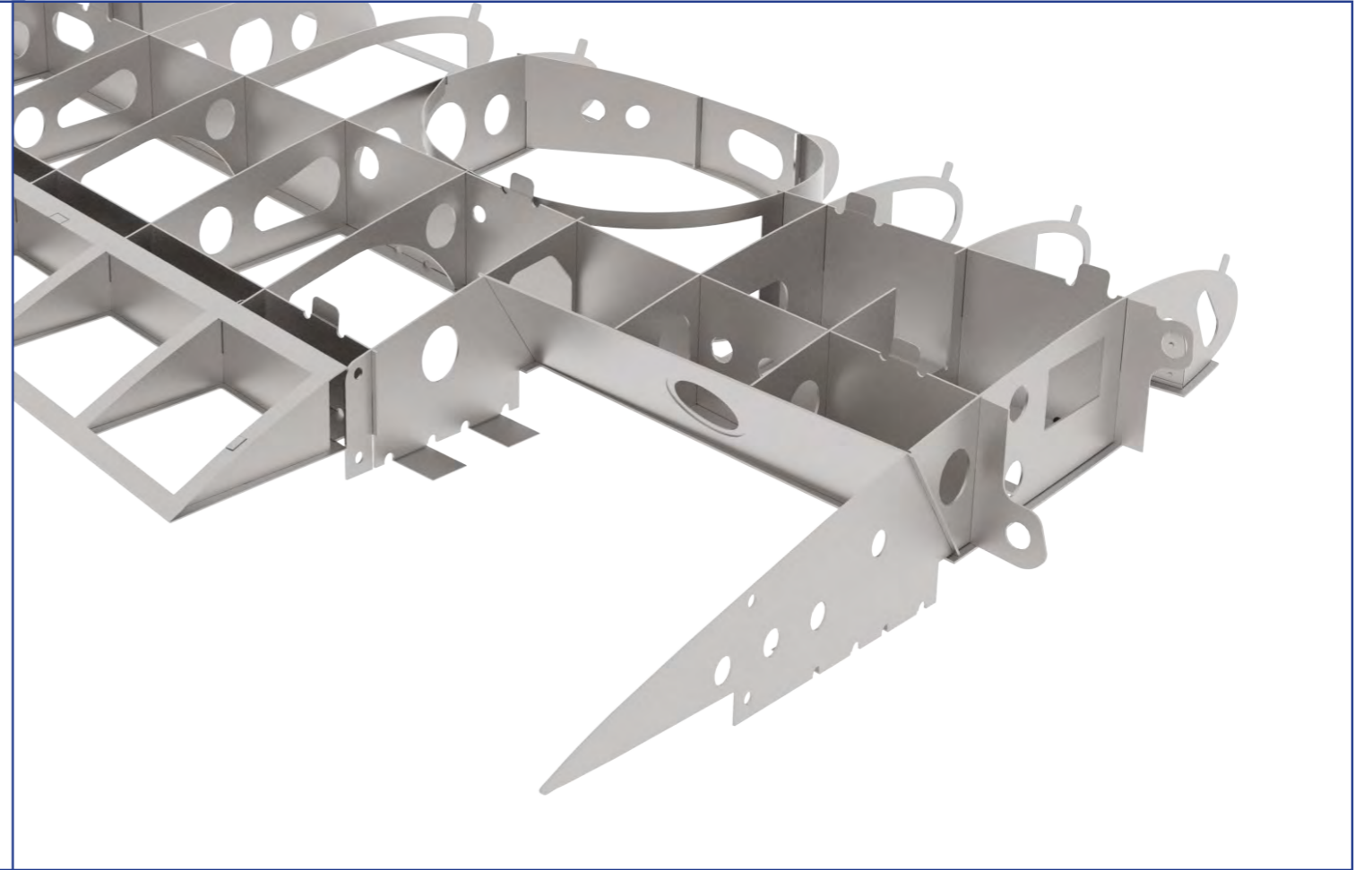
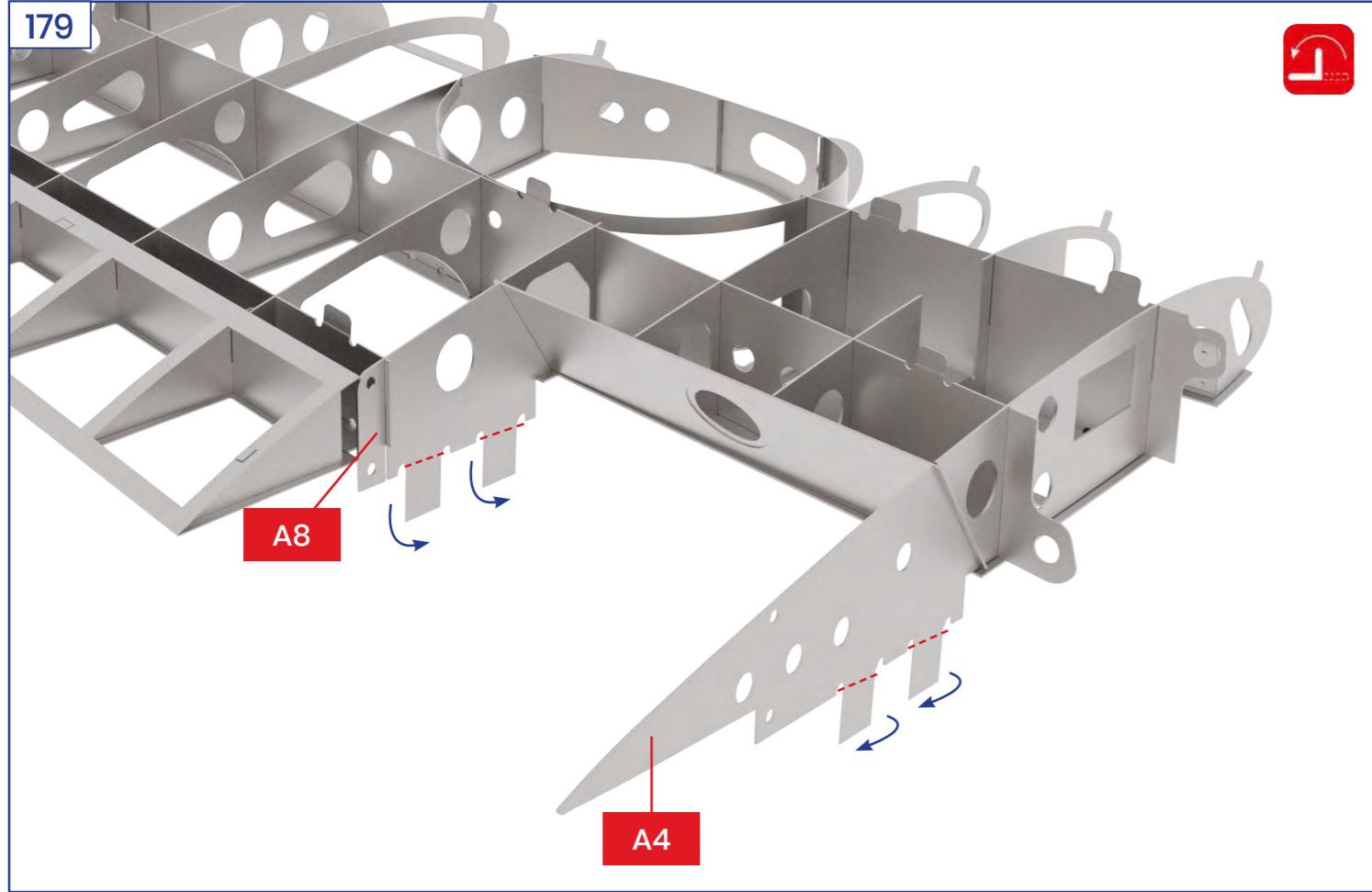
177



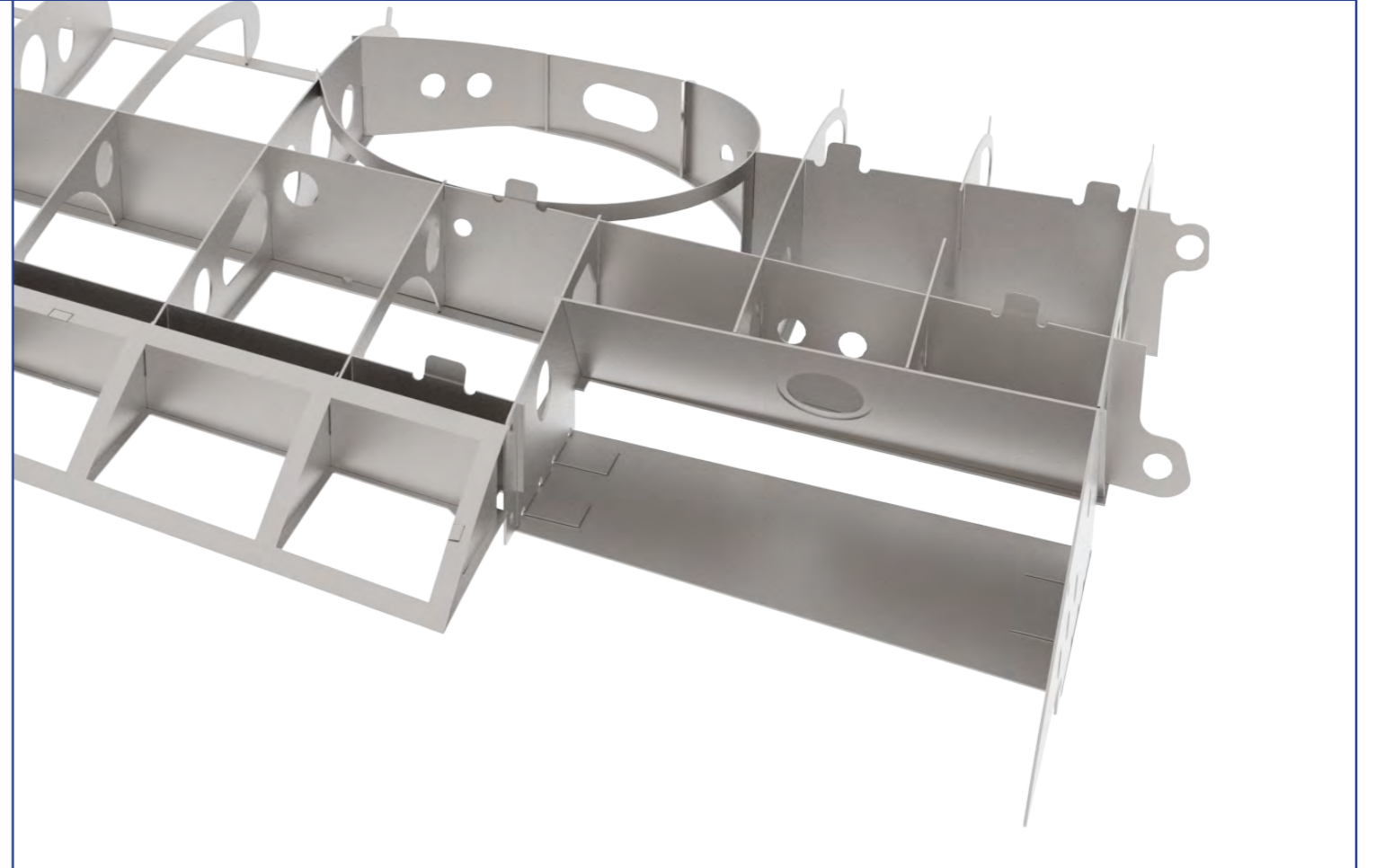
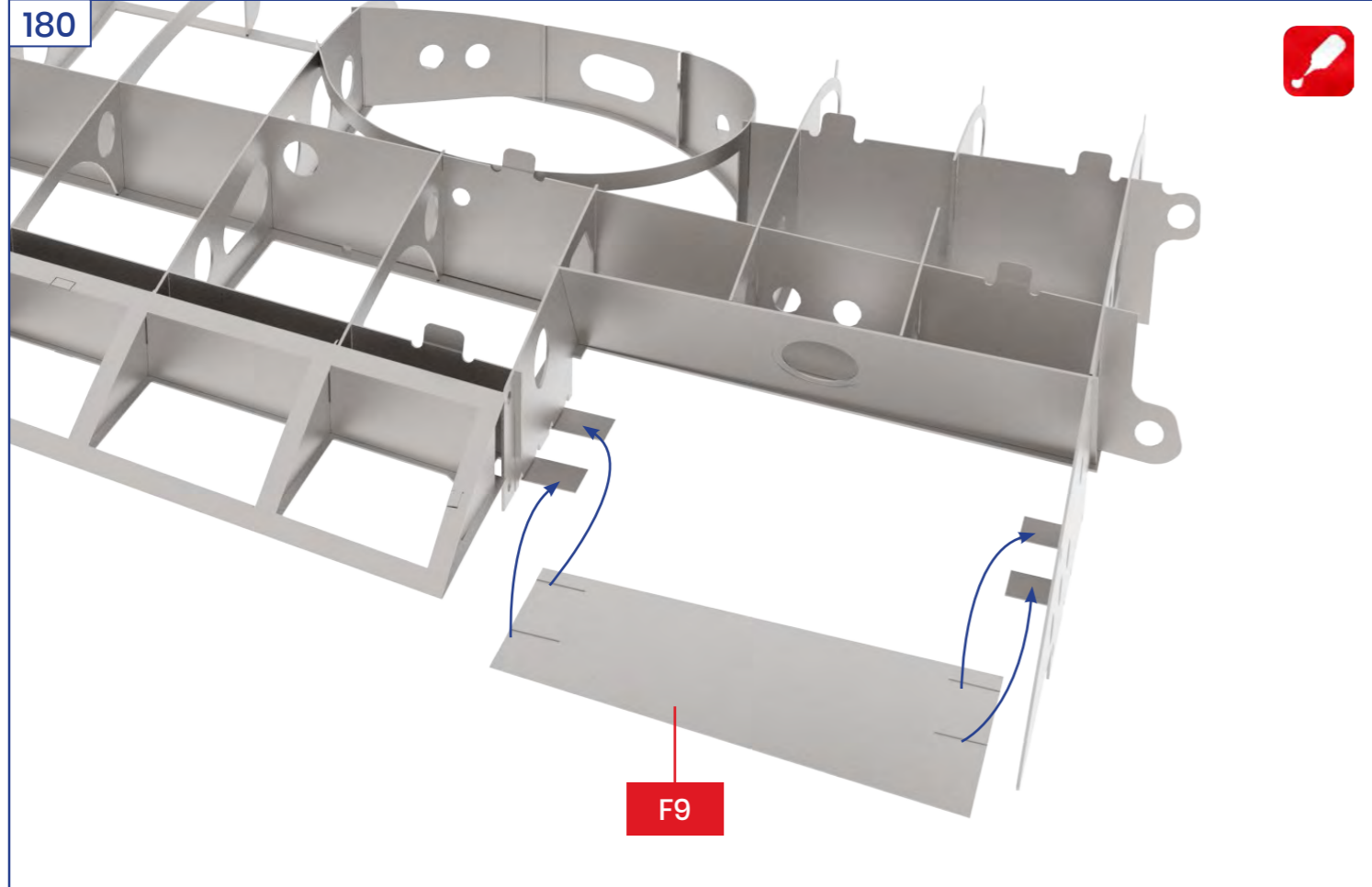
178



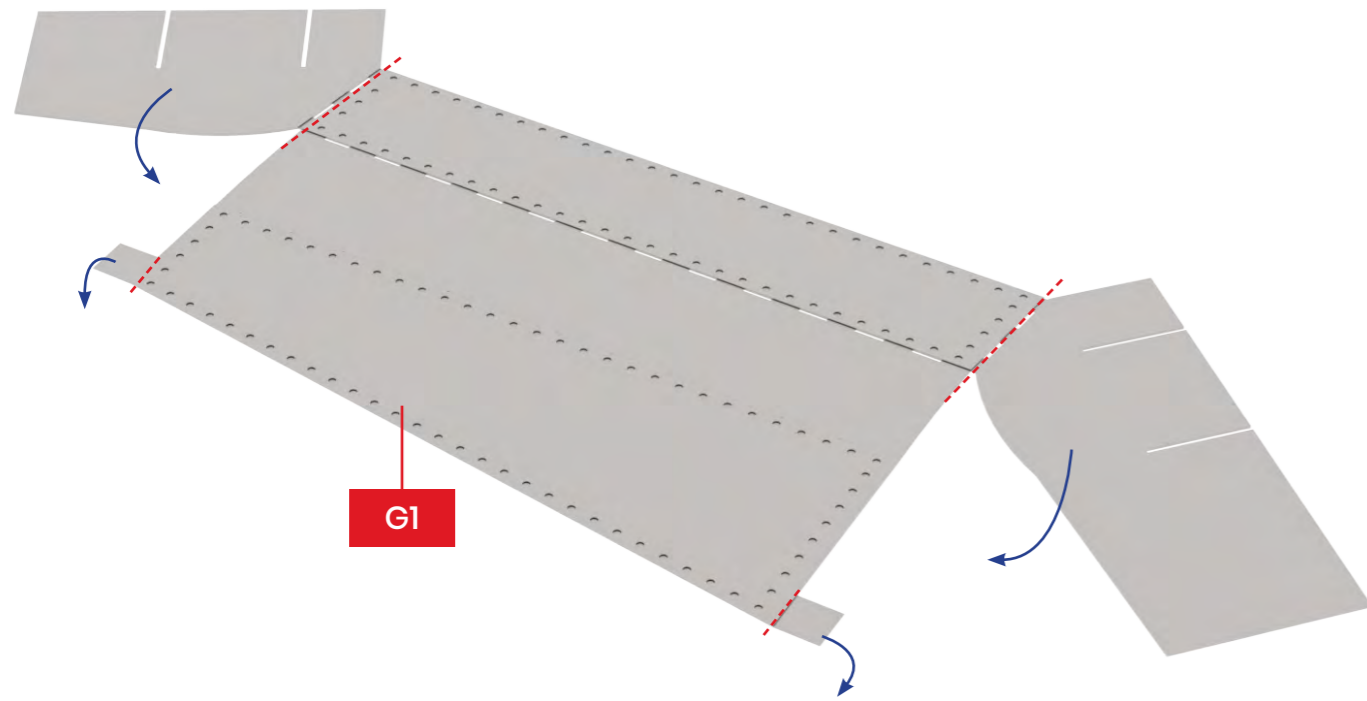
179



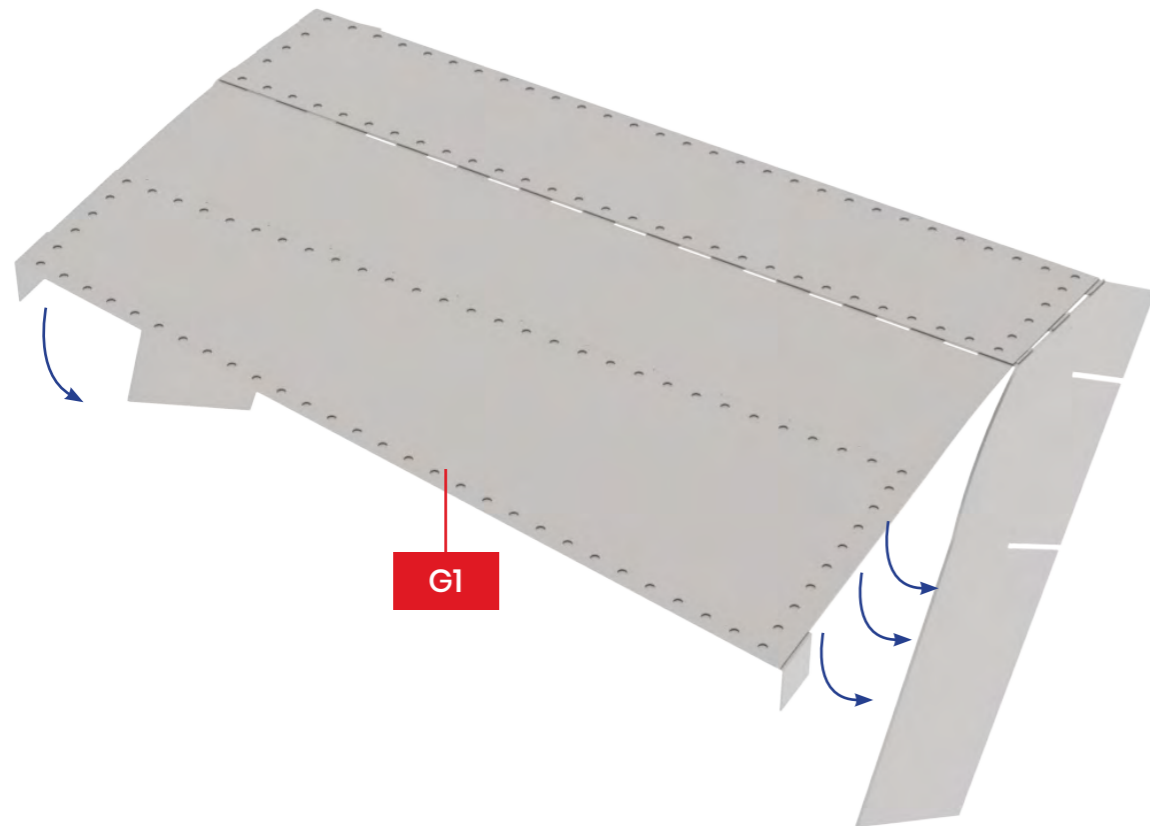
180



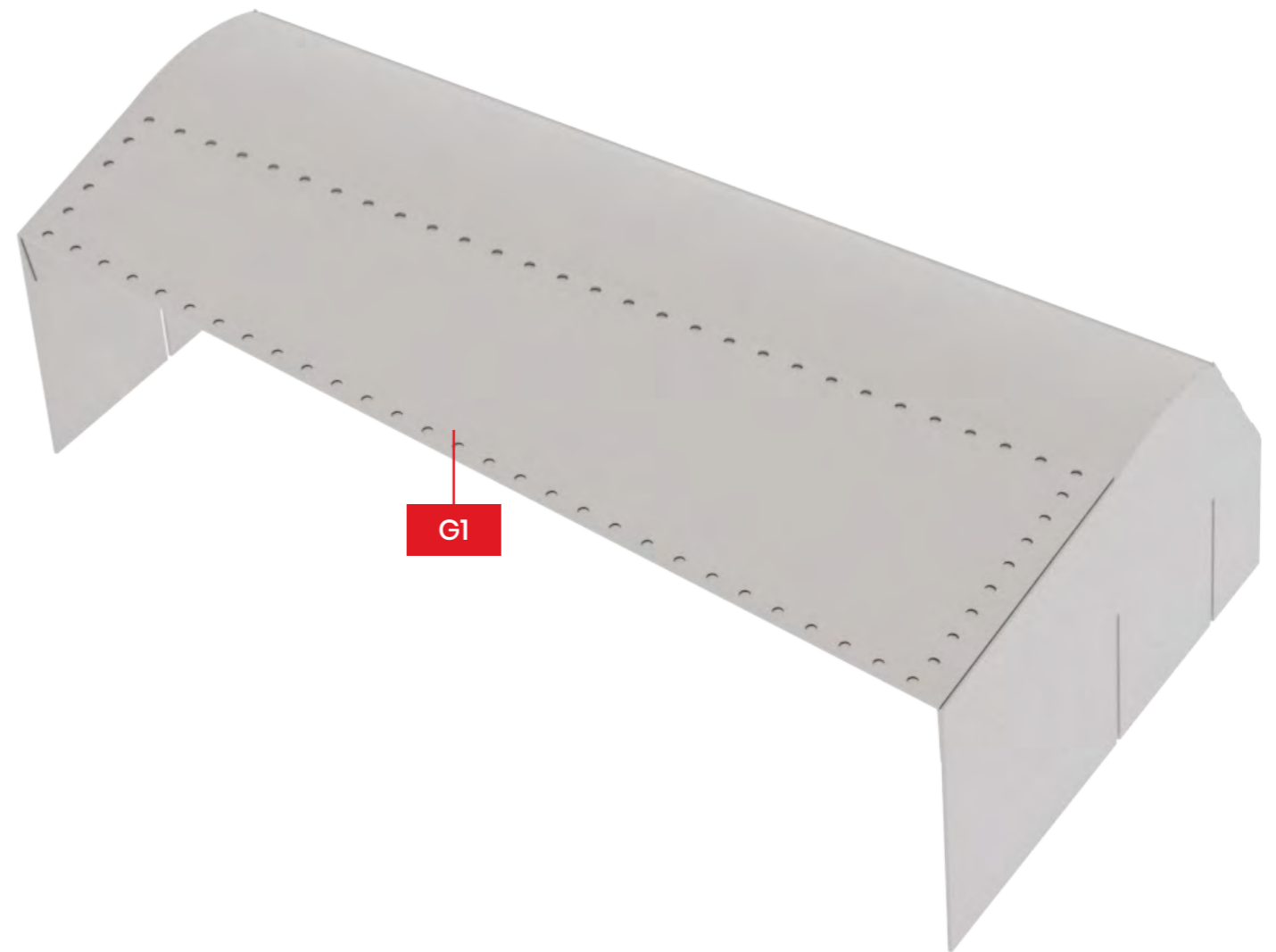
181



G1

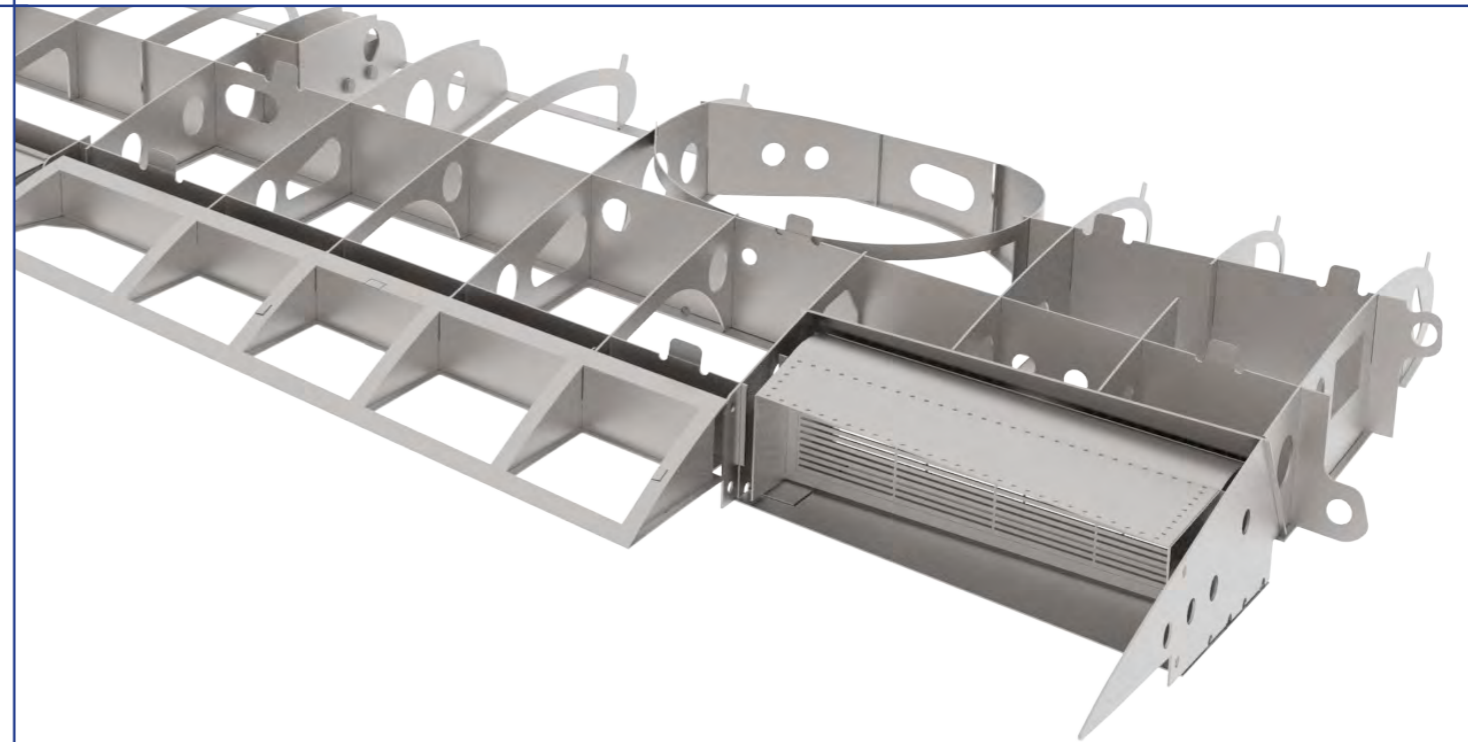
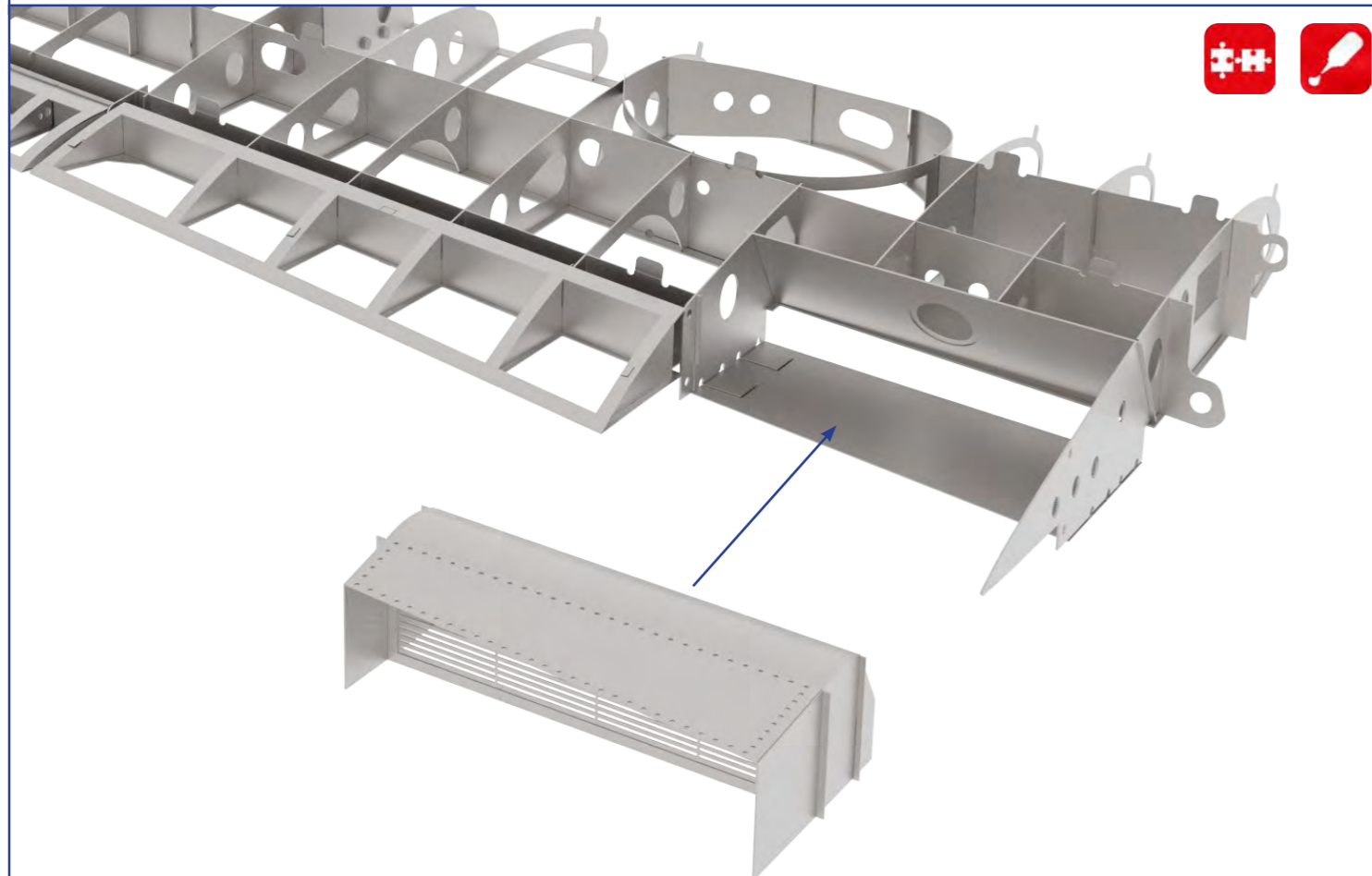
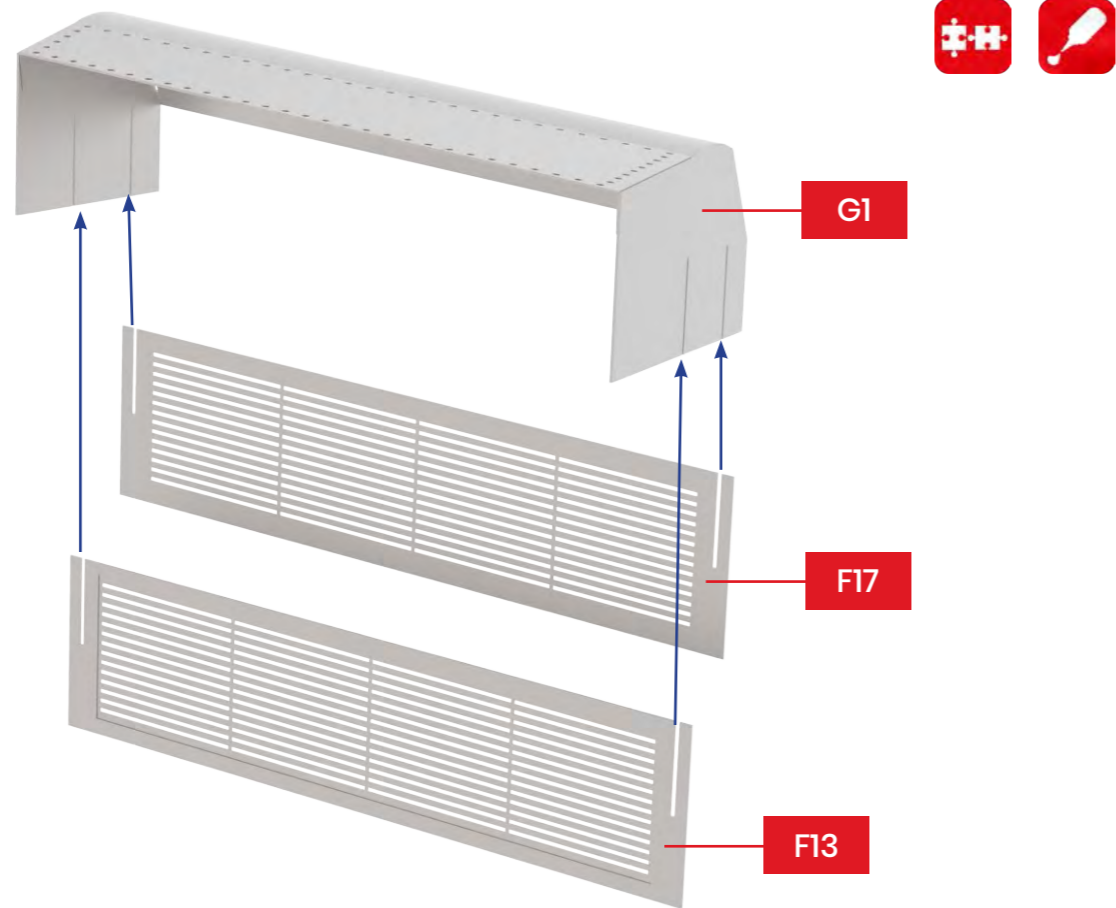


G1

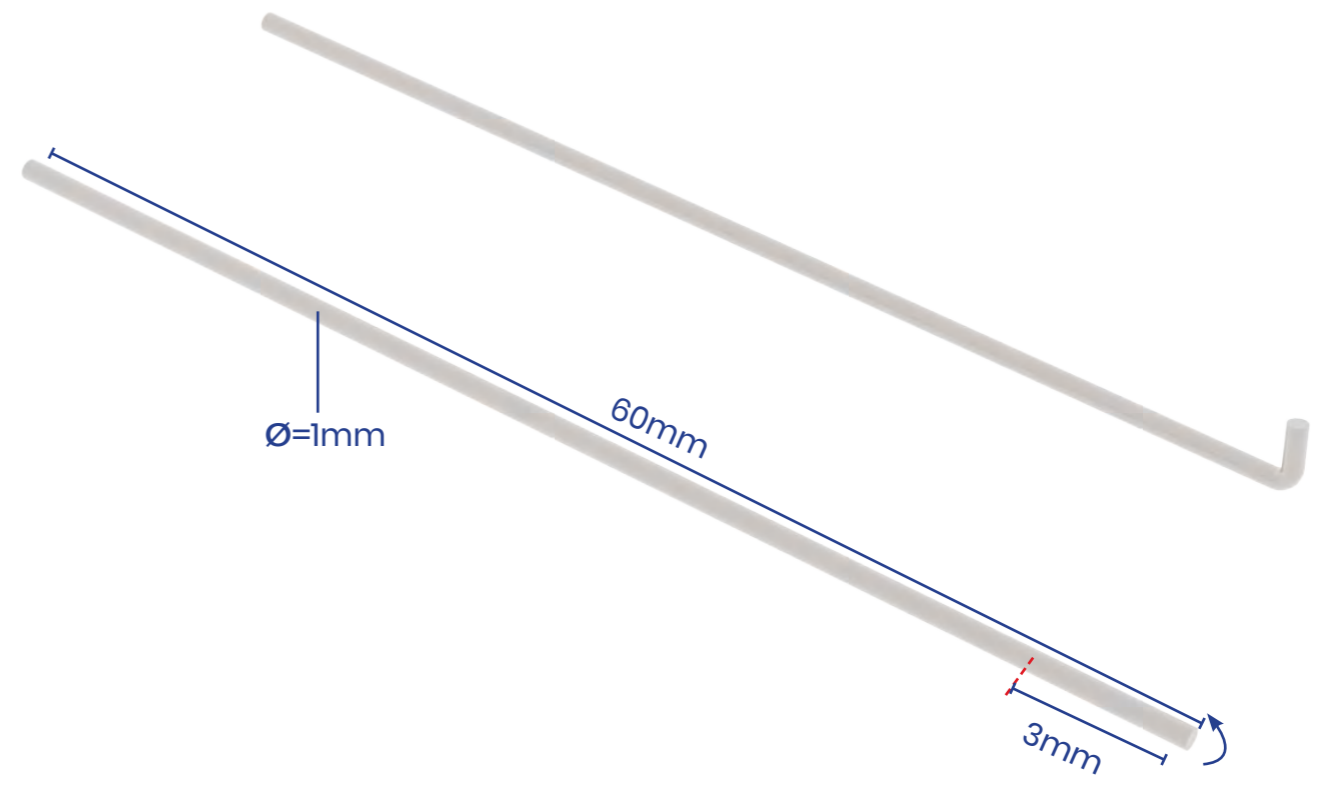
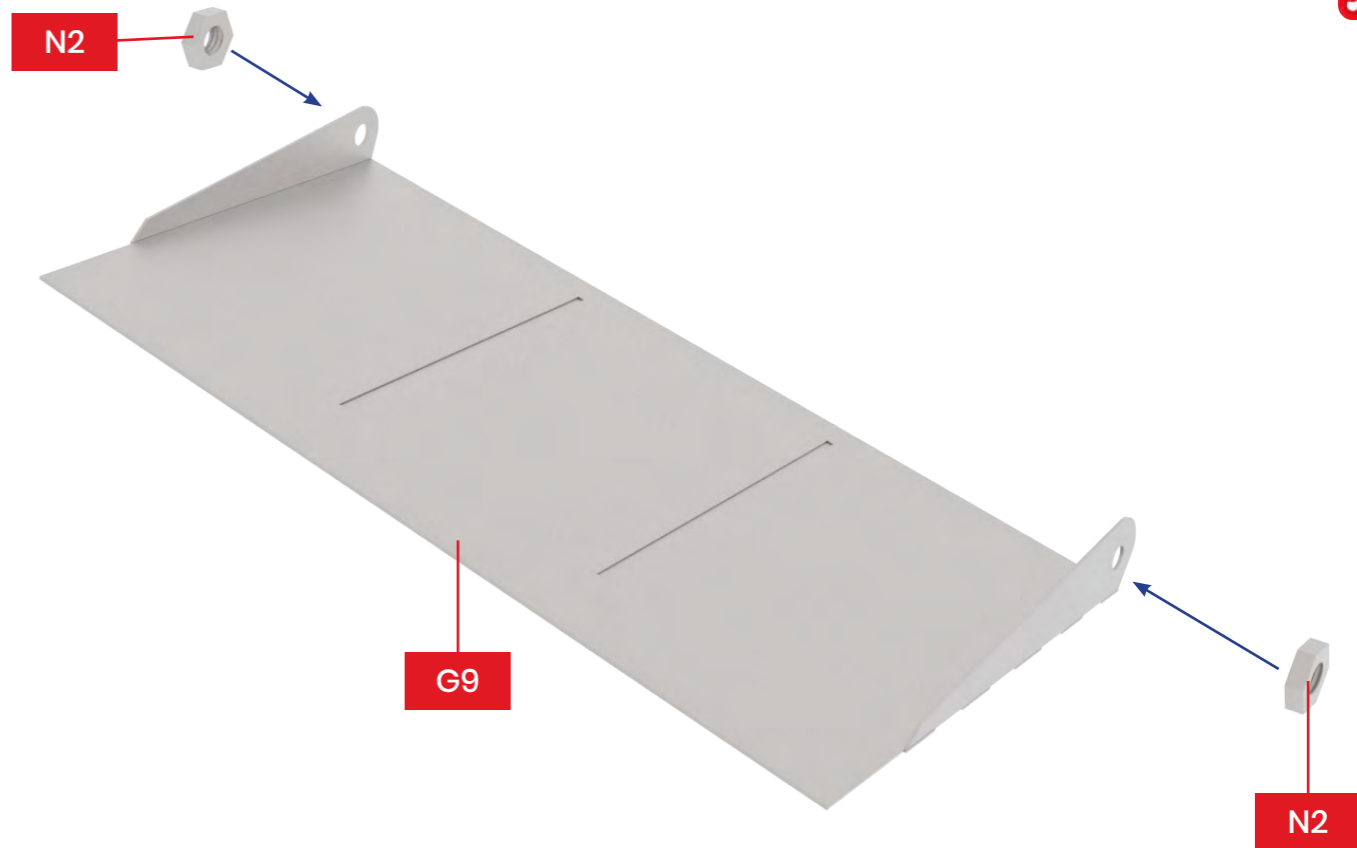
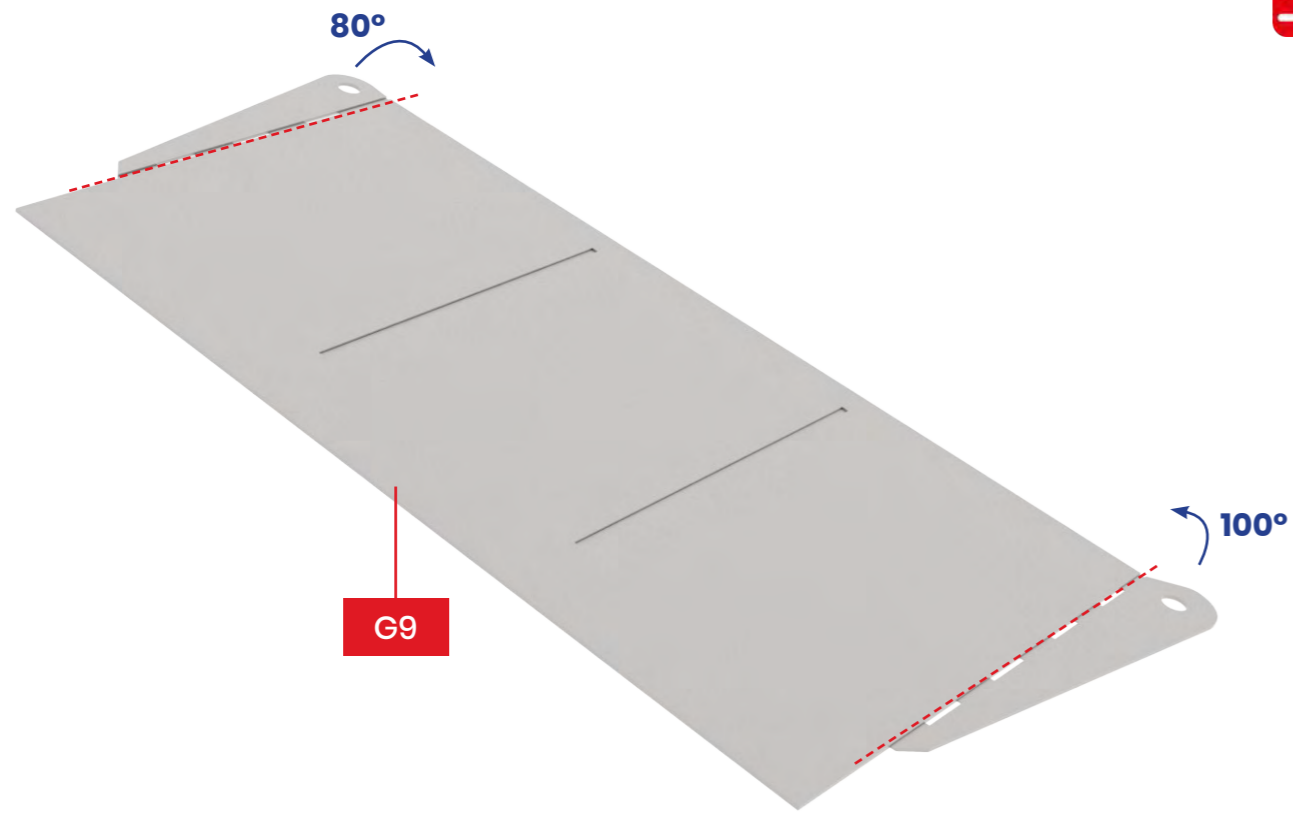


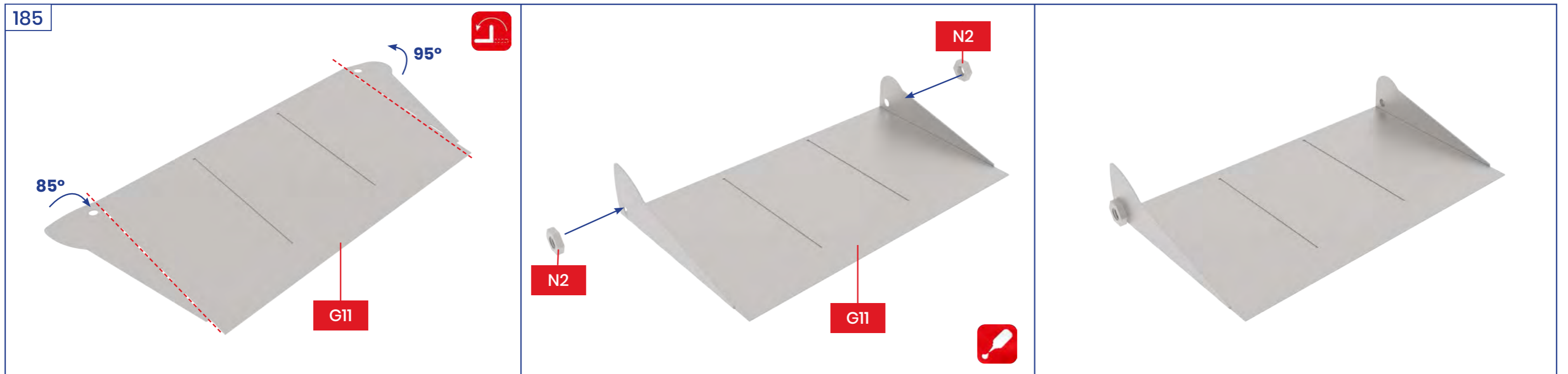
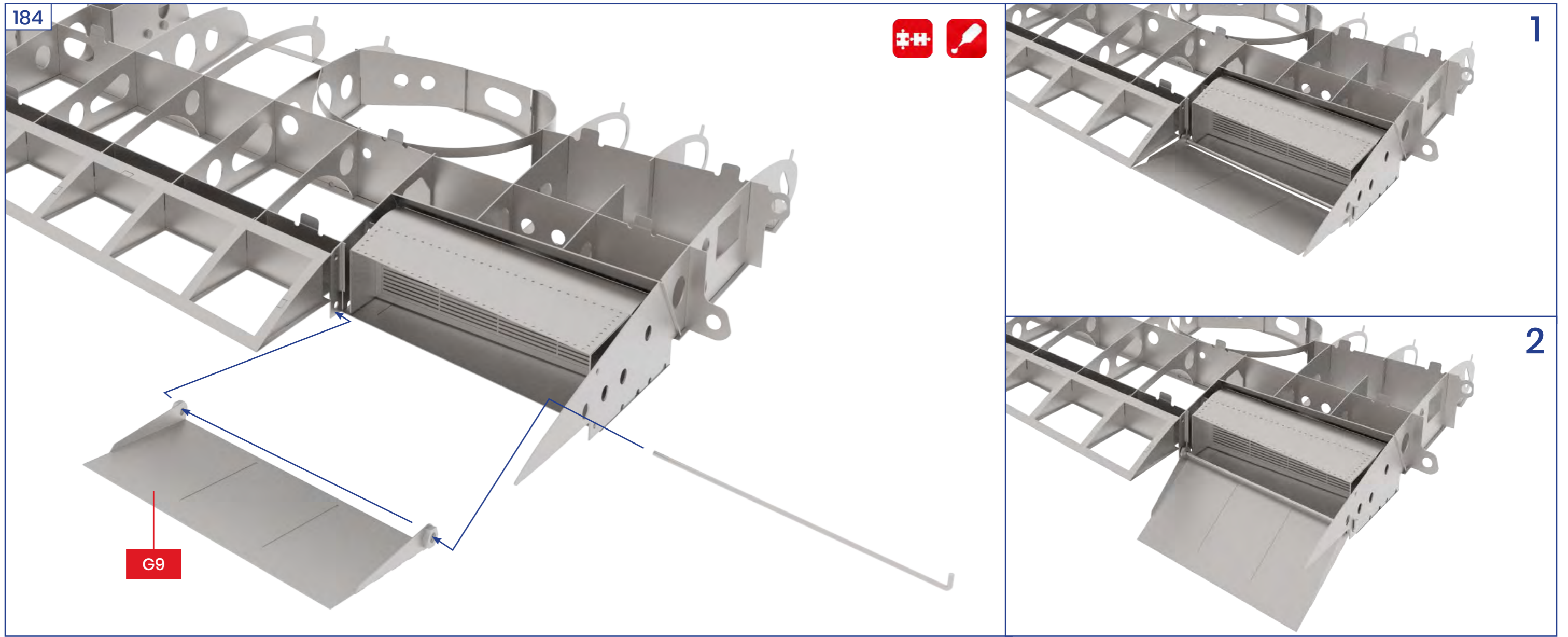
G1

182

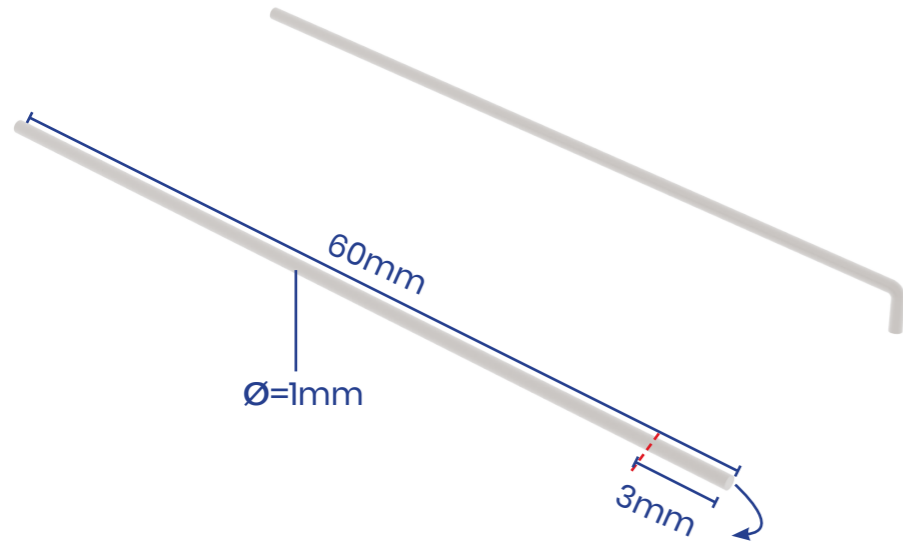


183

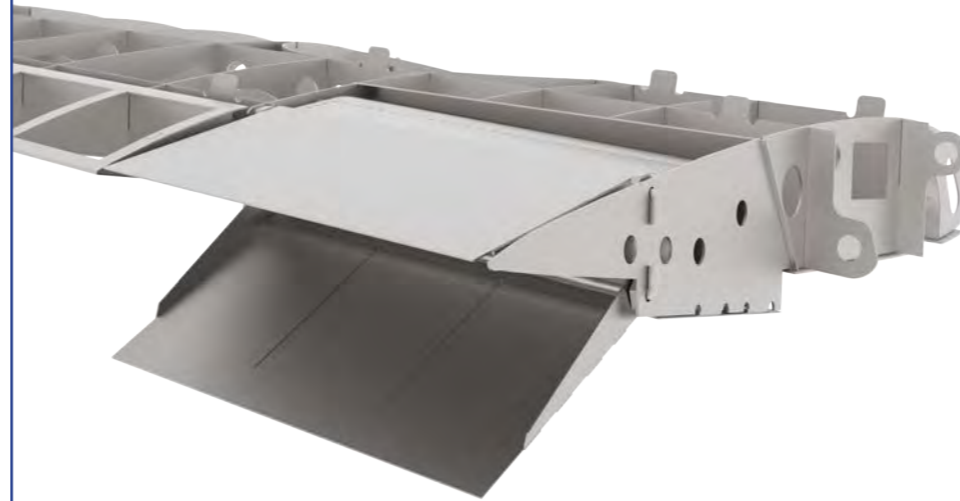




186



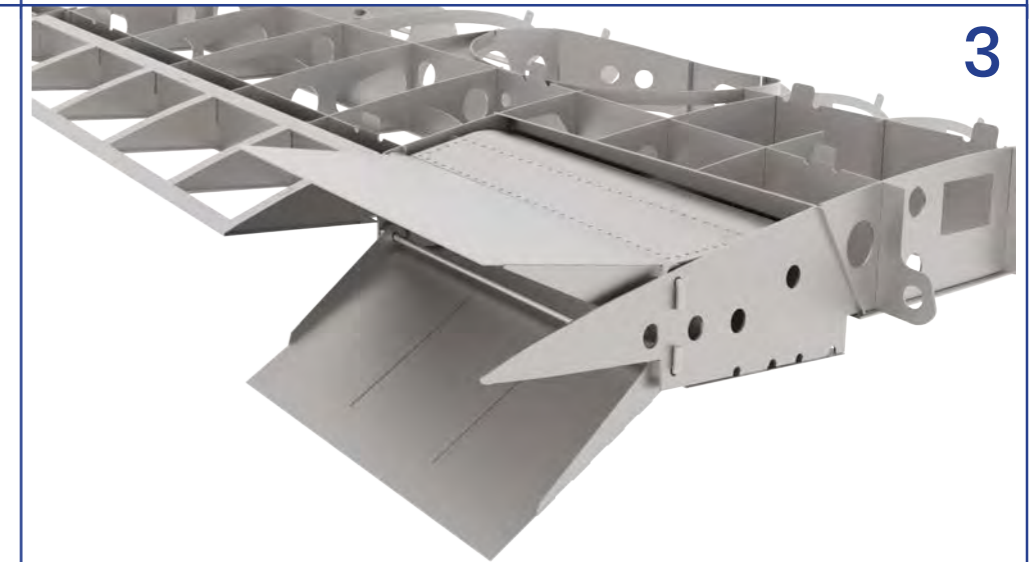
1



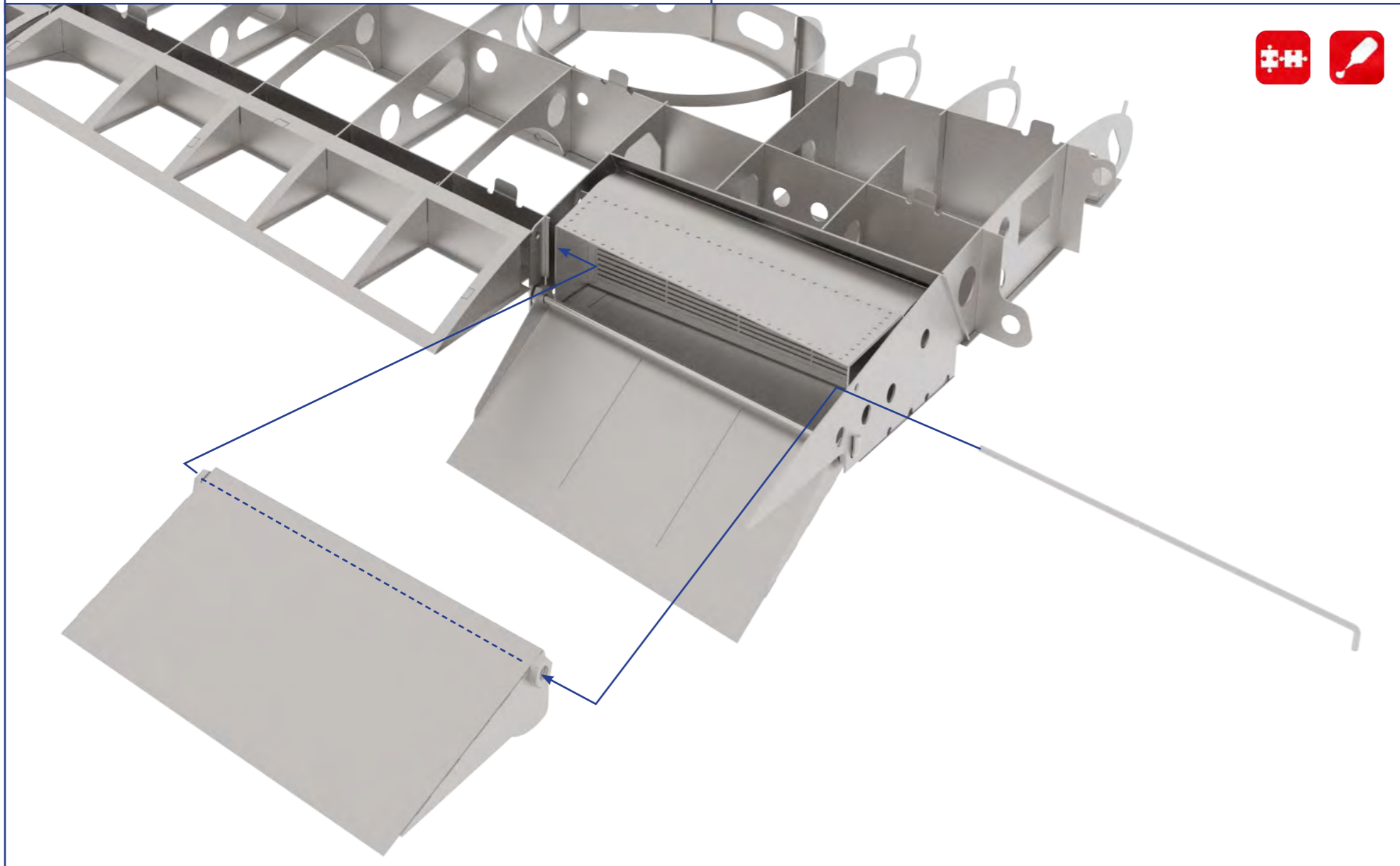
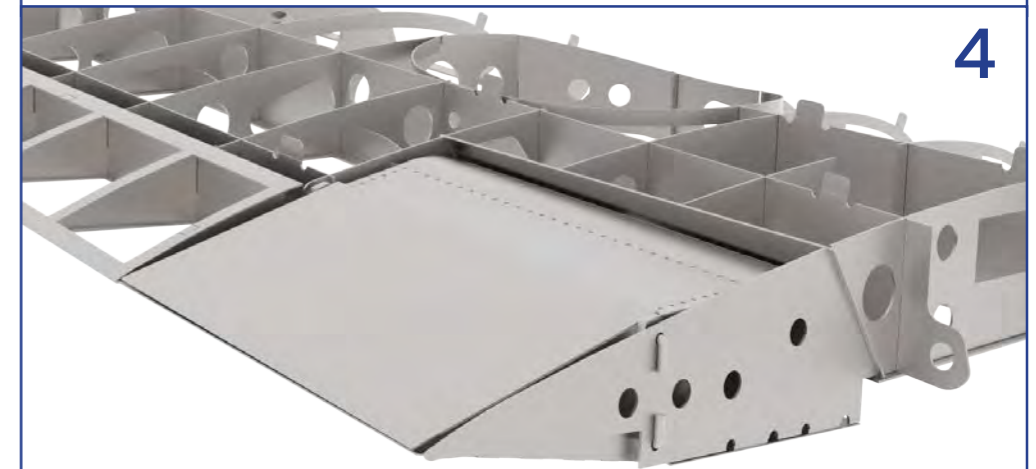
2



3



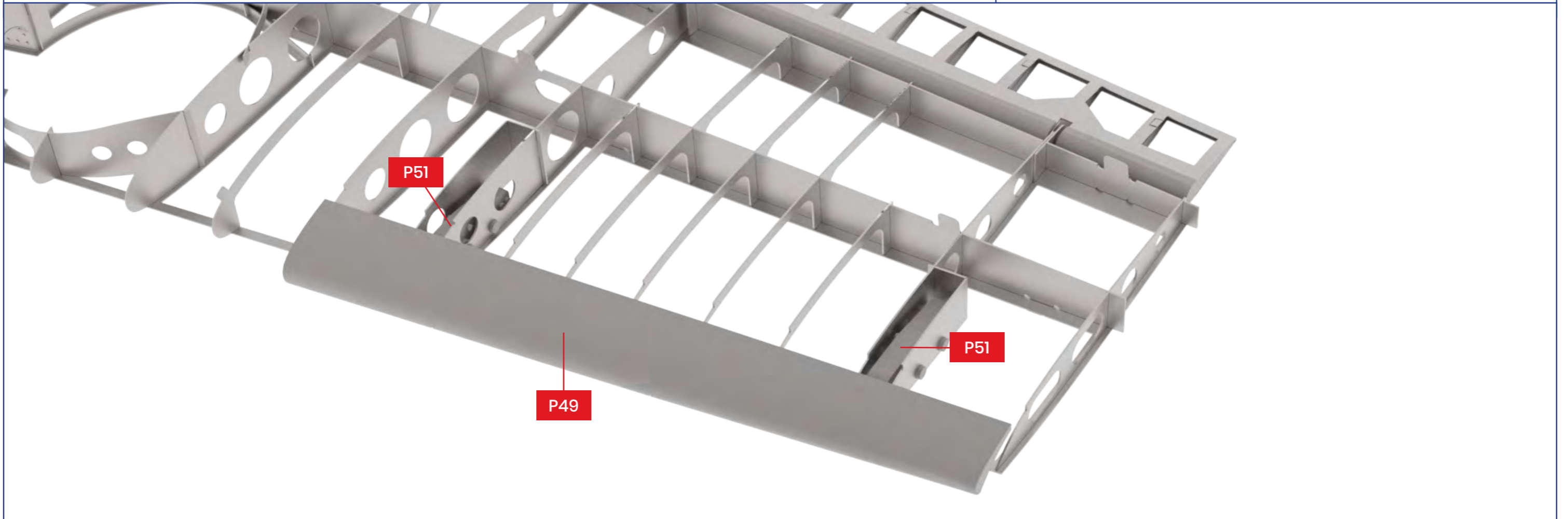
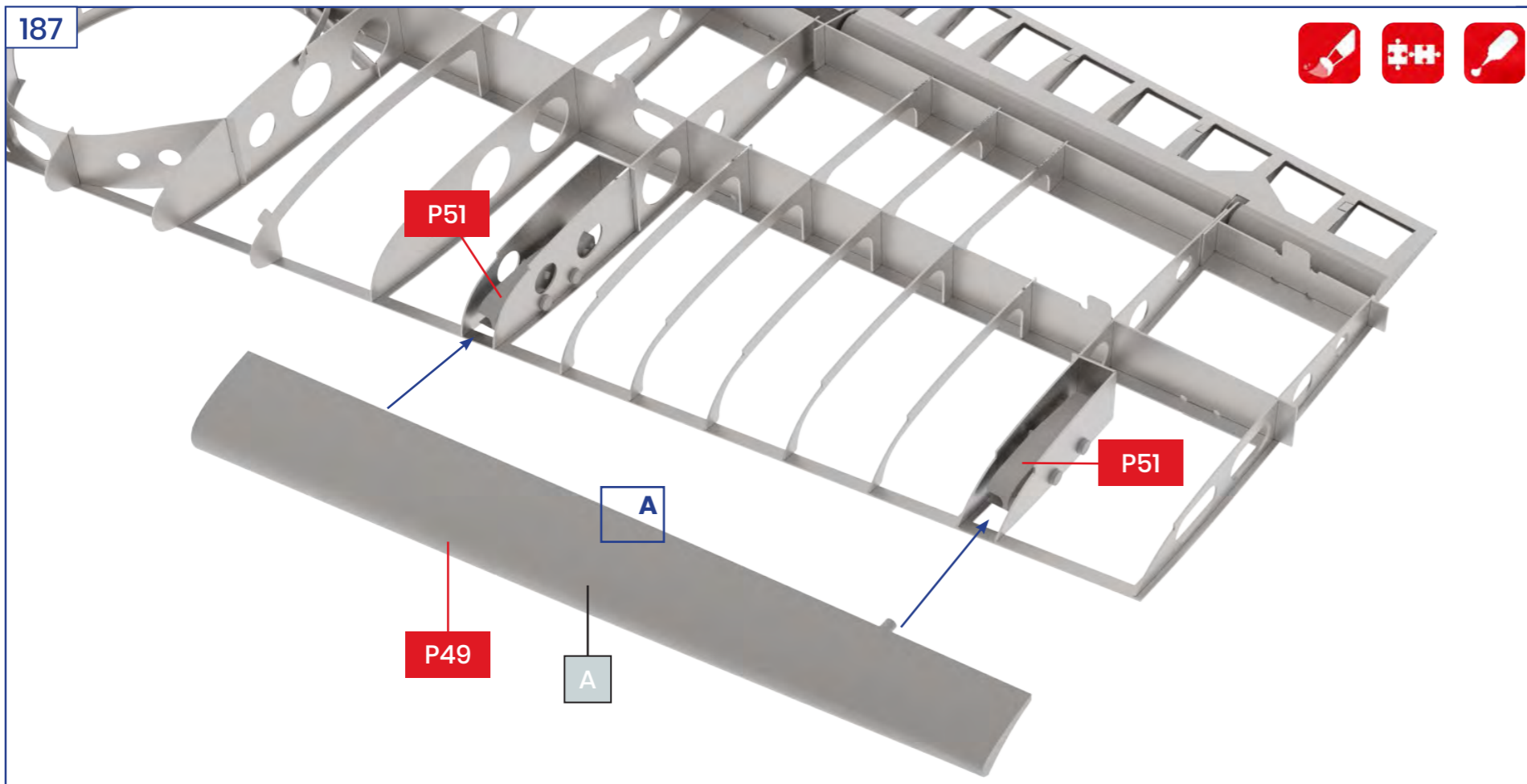
4



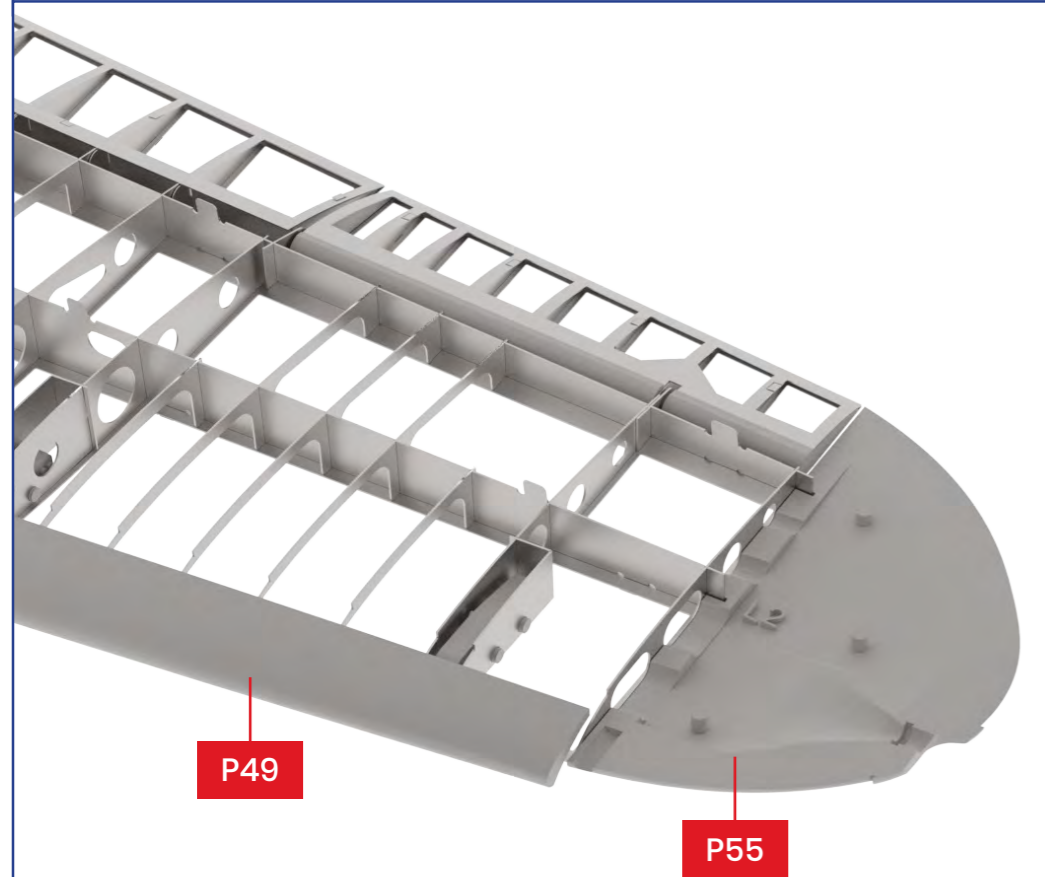
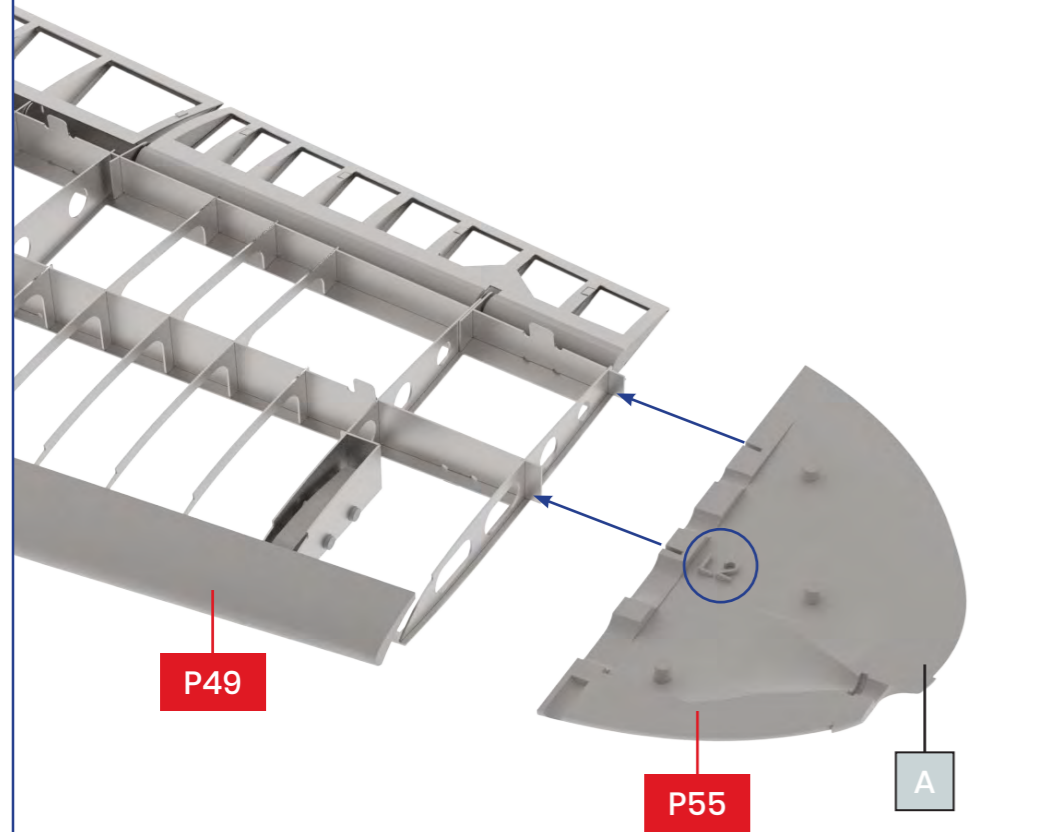
187



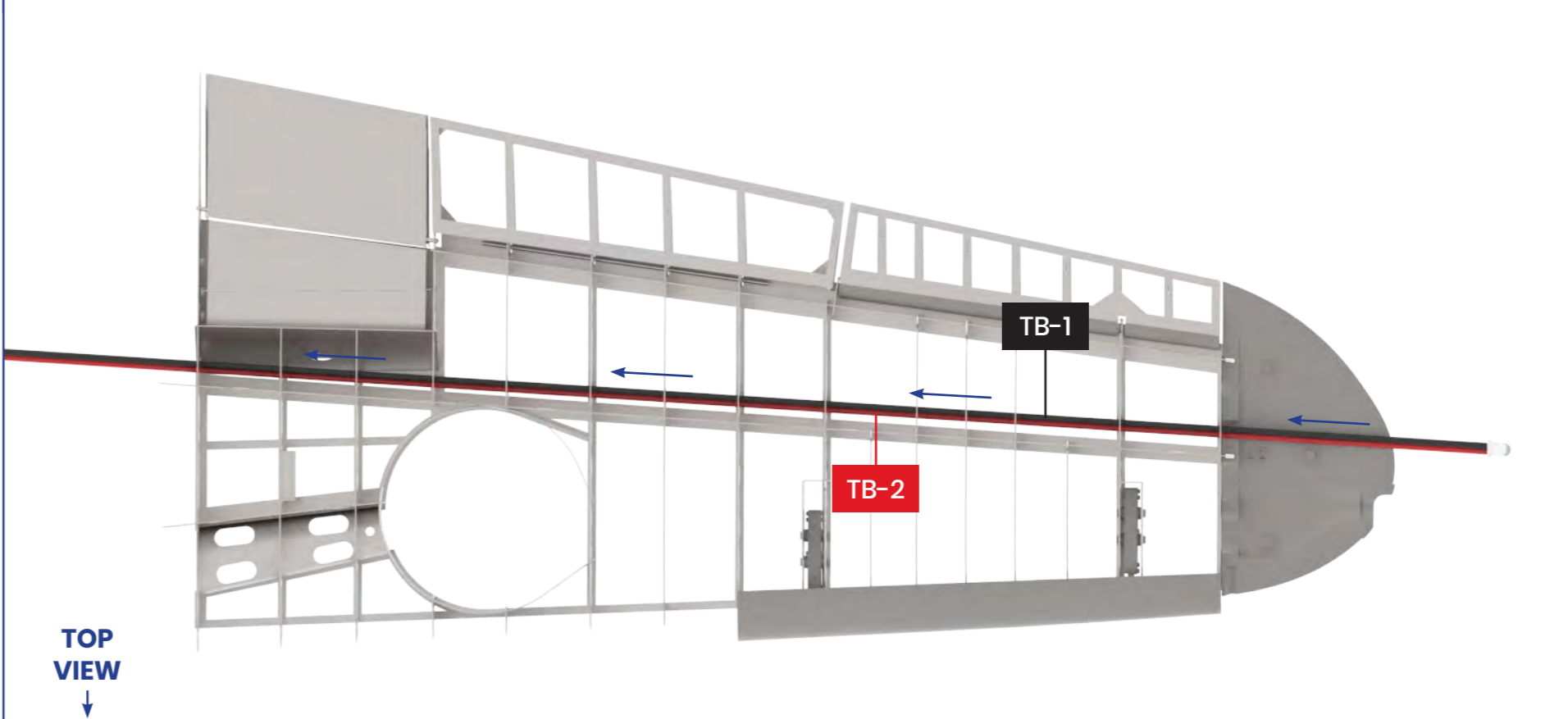
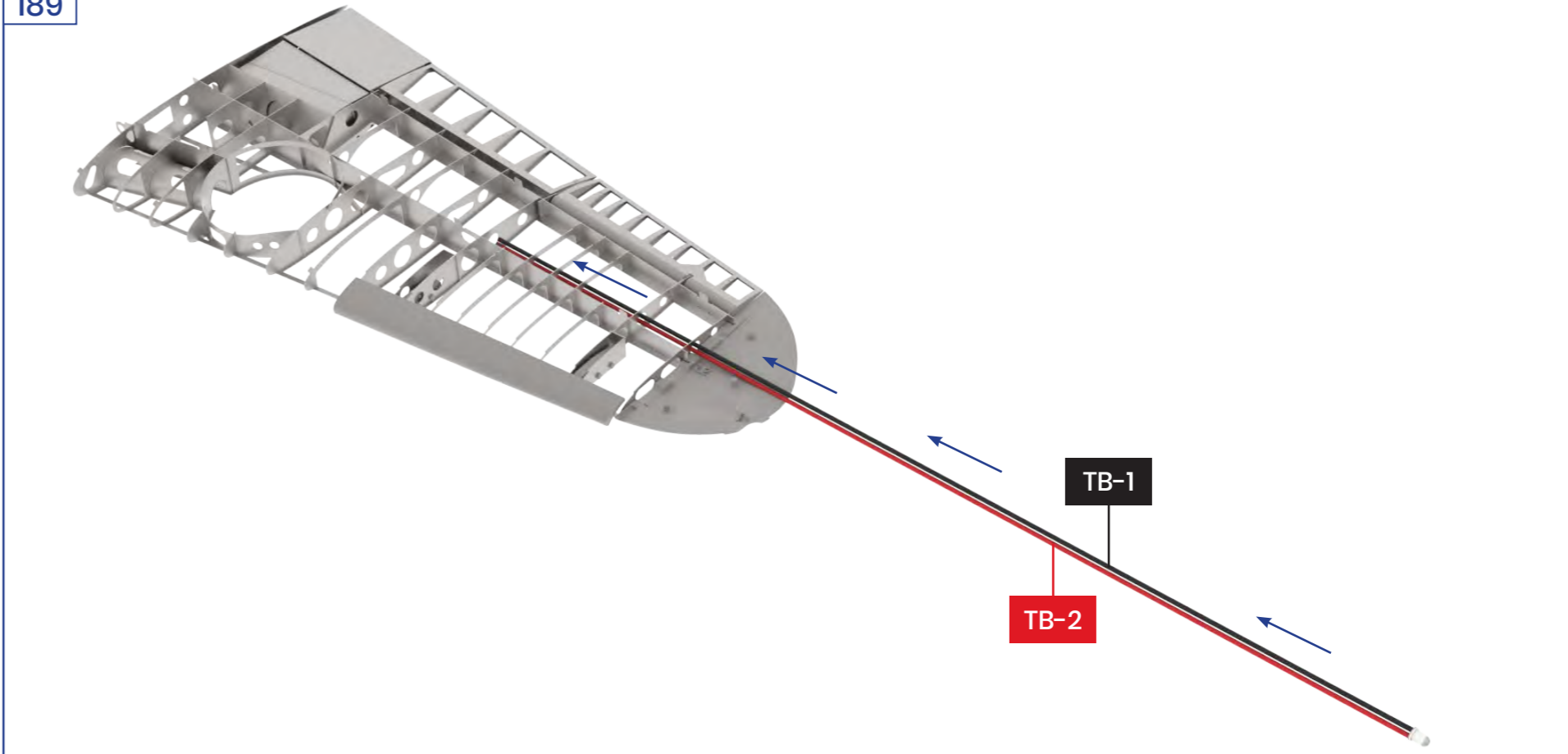
A

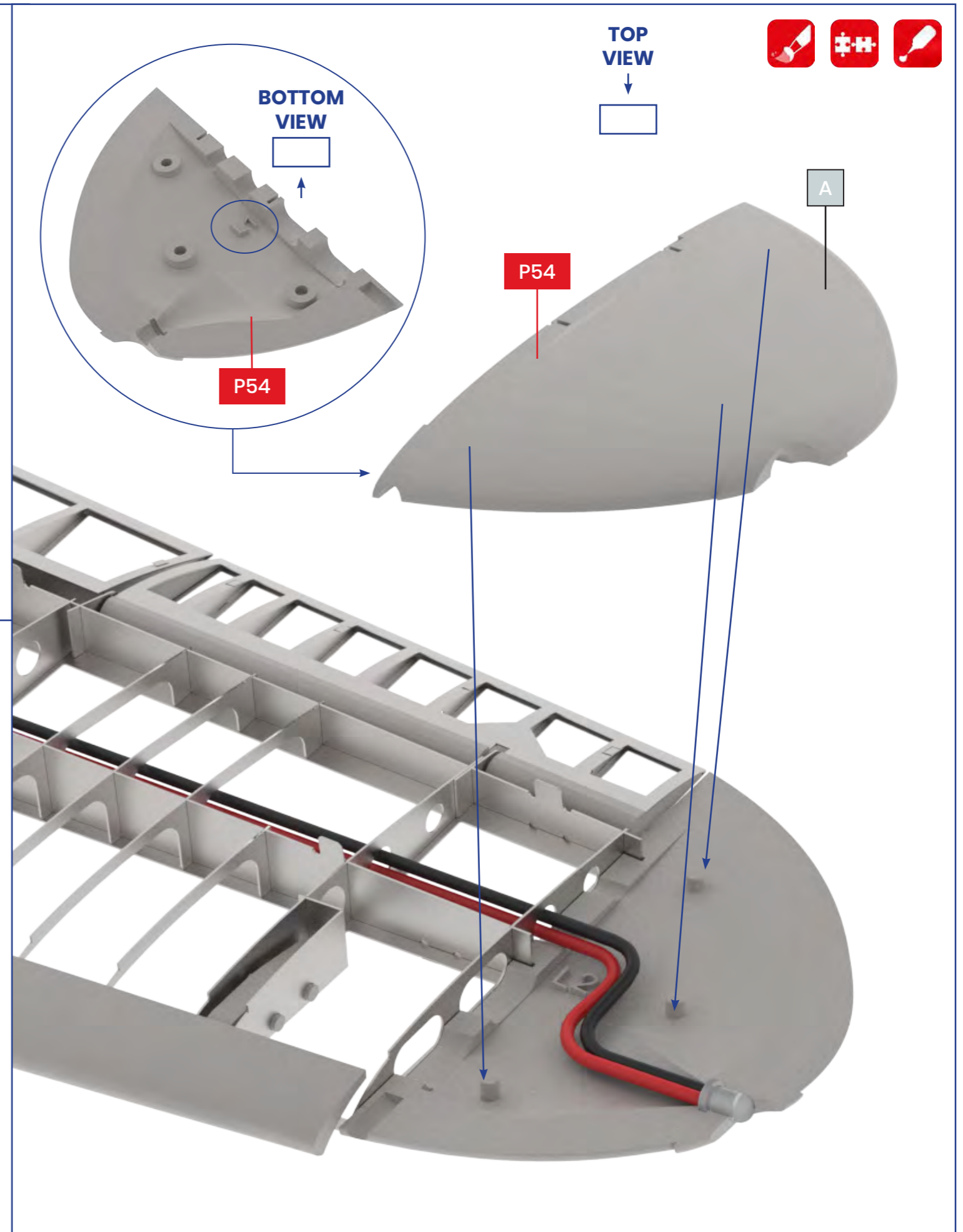
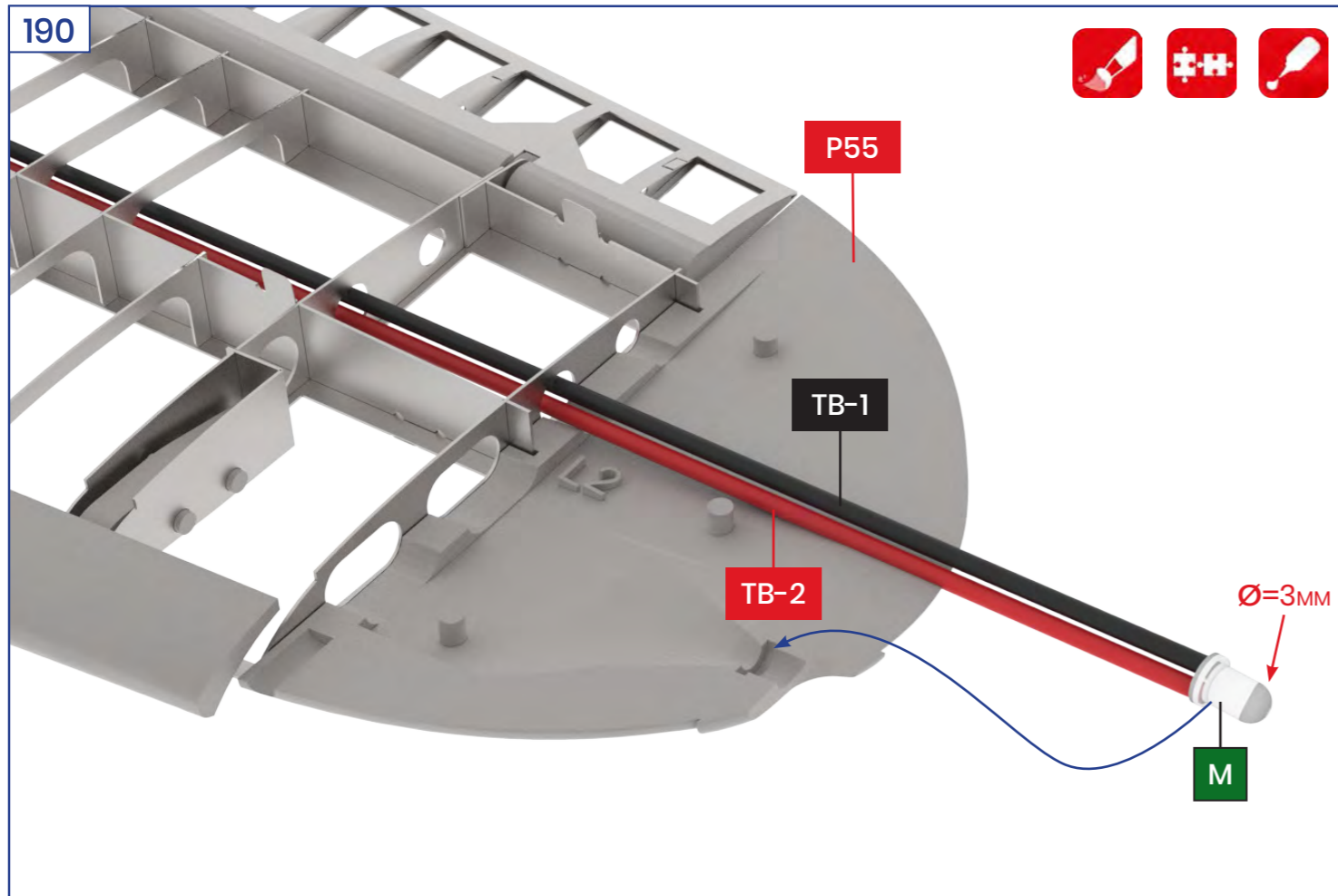


188

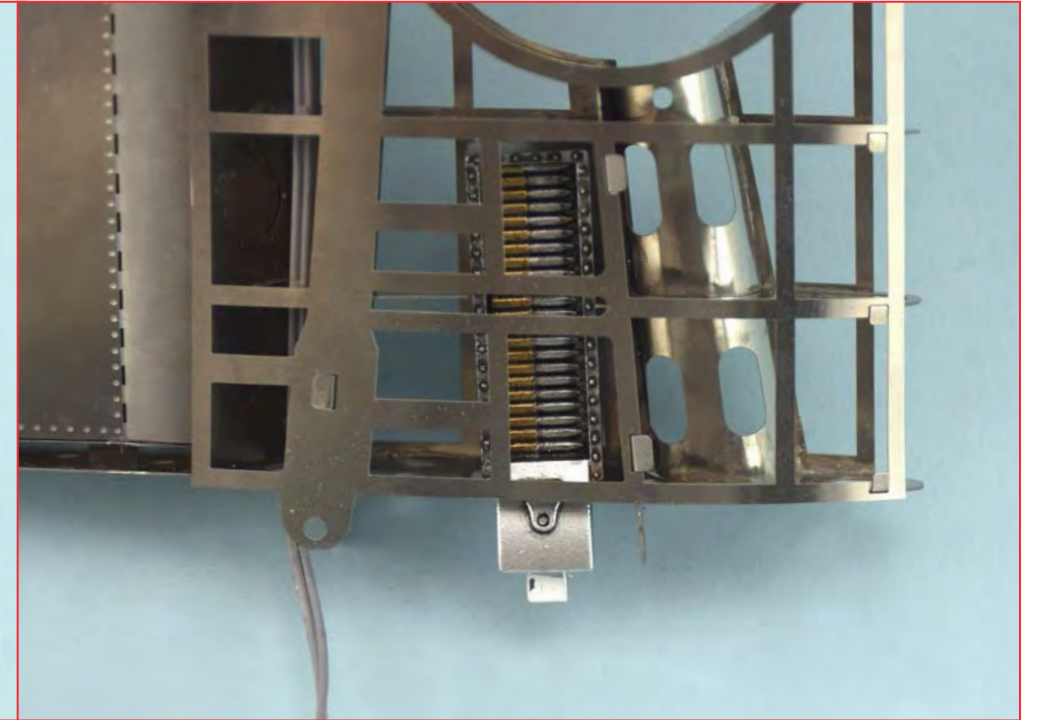
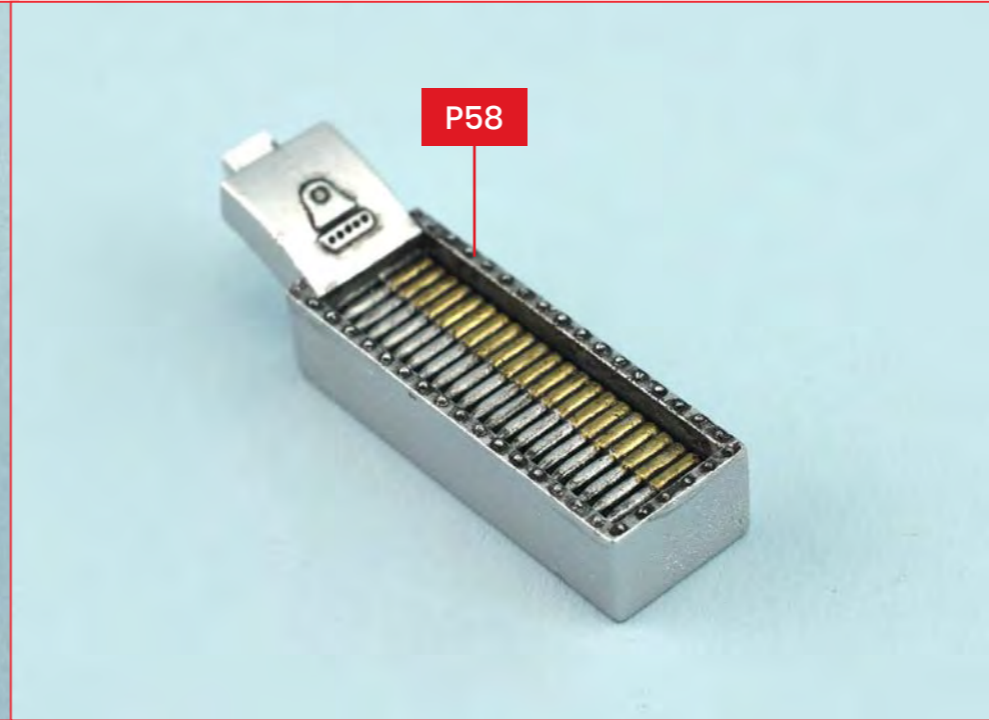
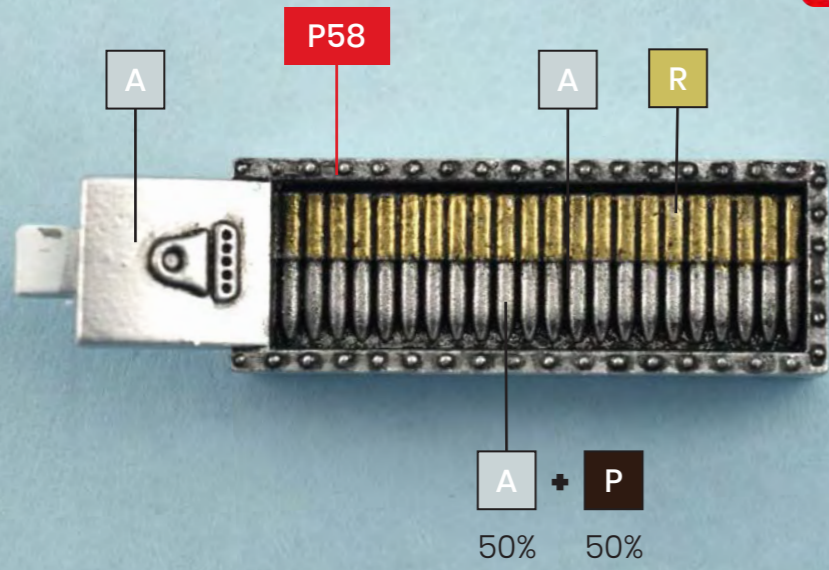


189

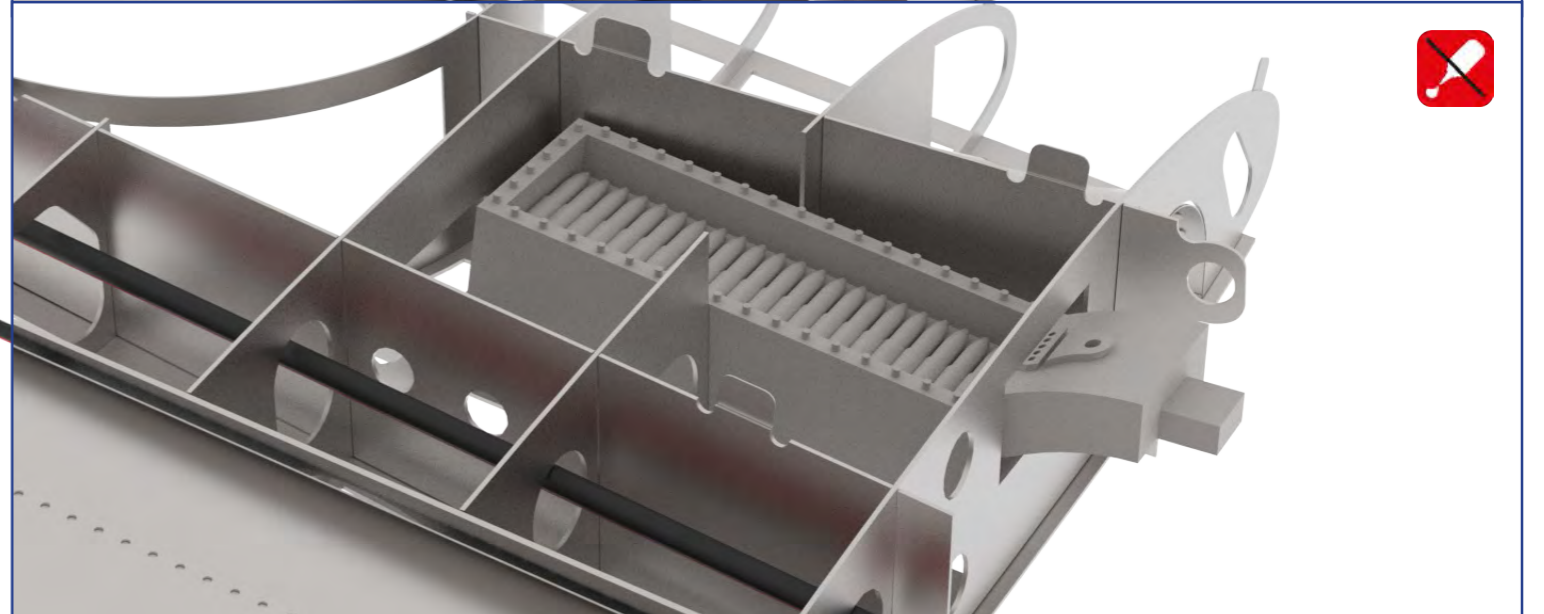
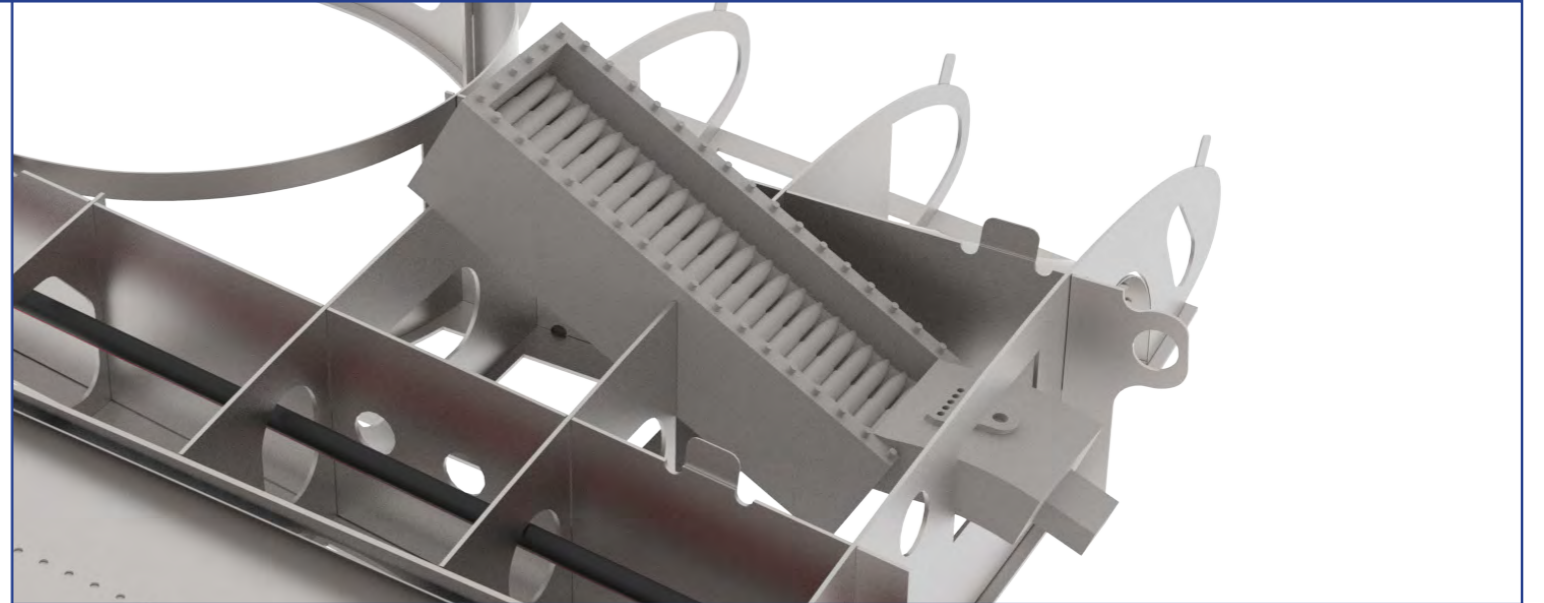
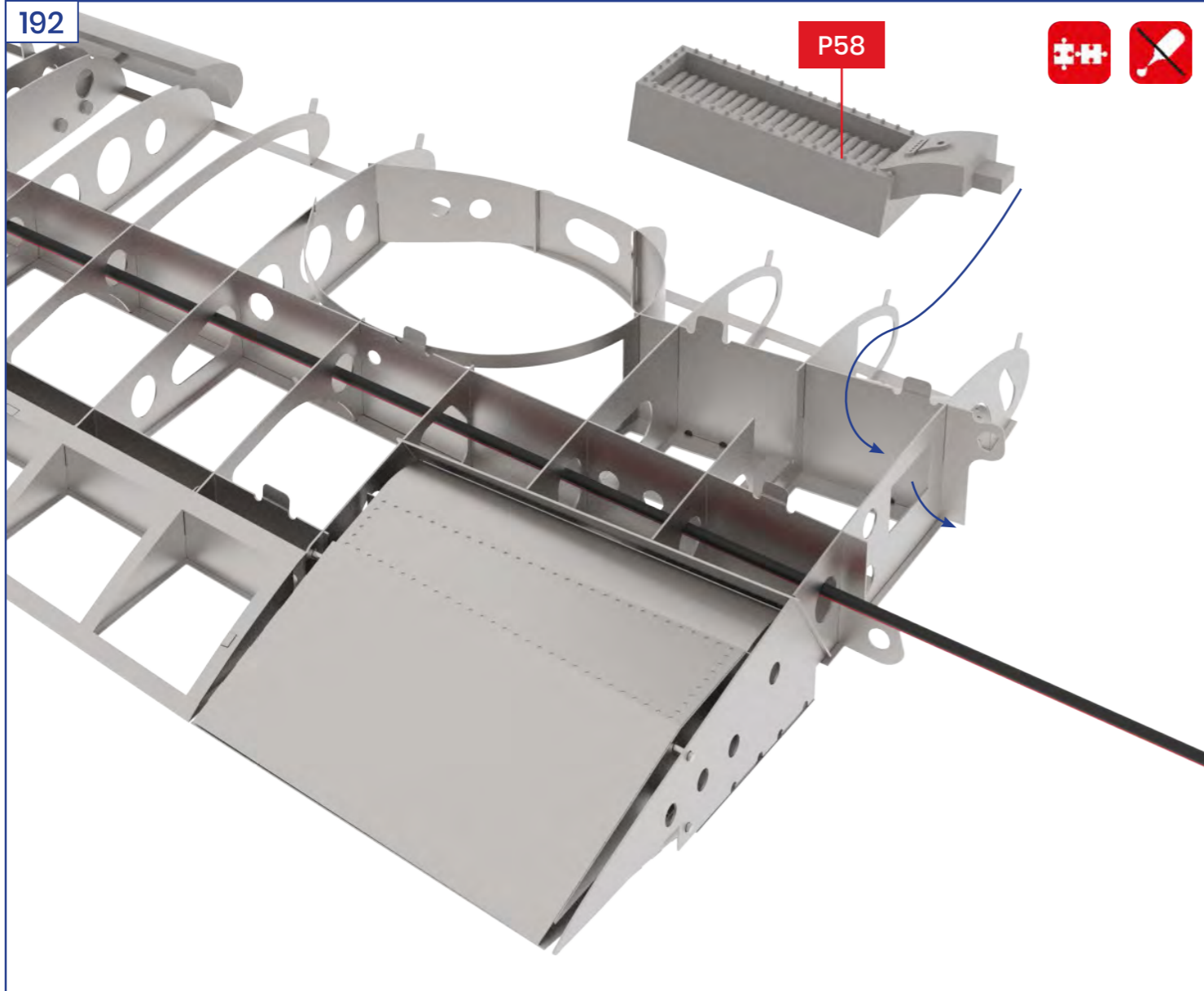




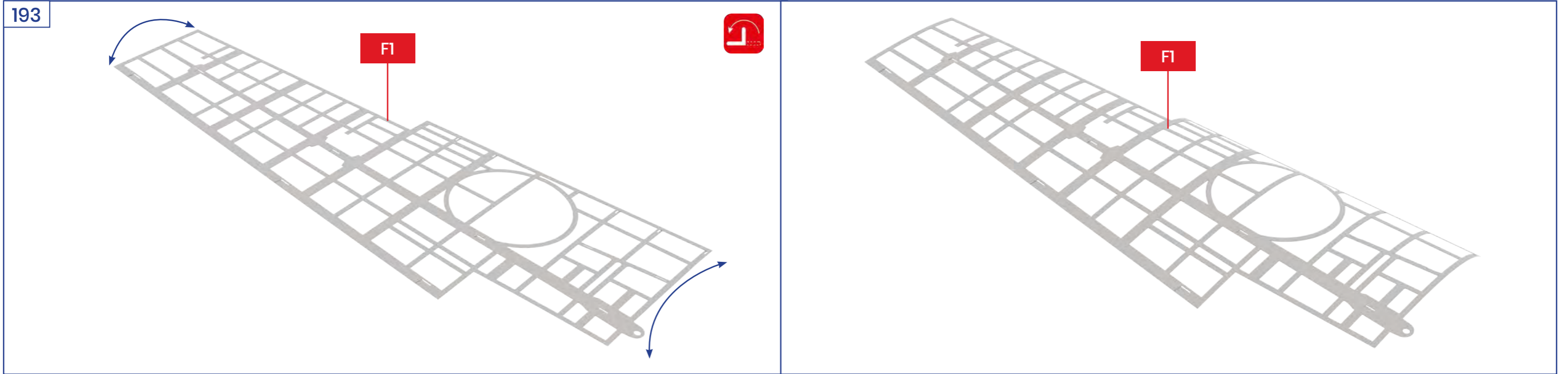
191



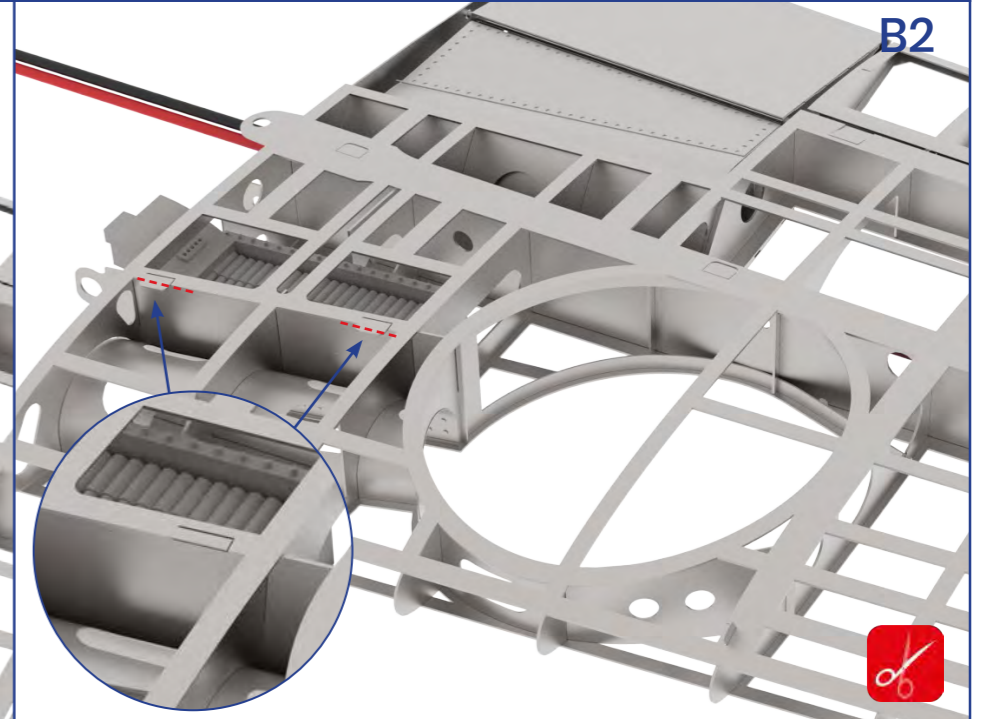
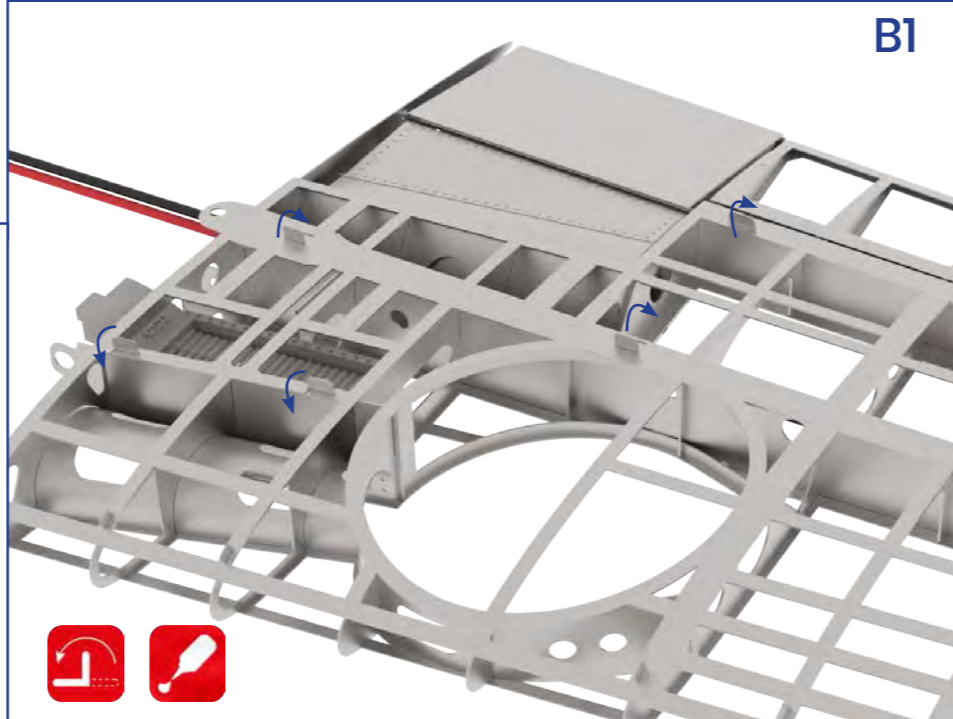
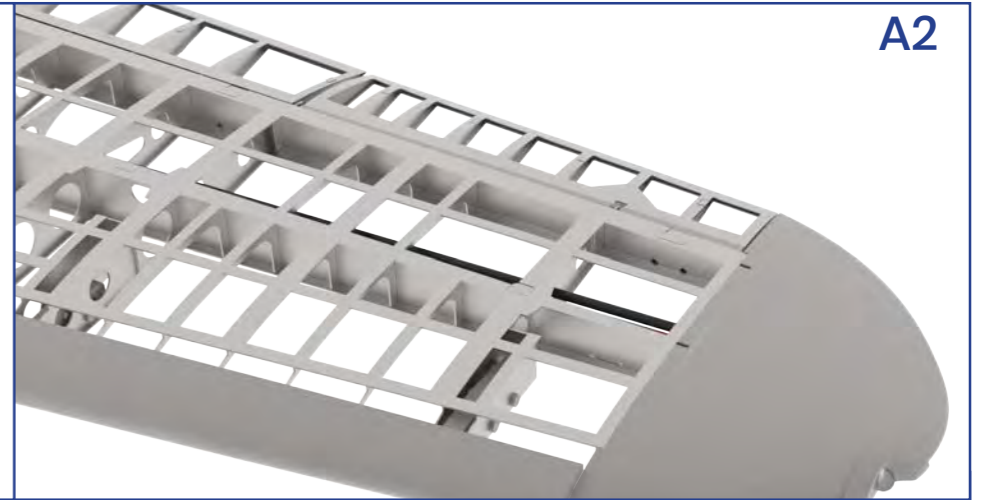
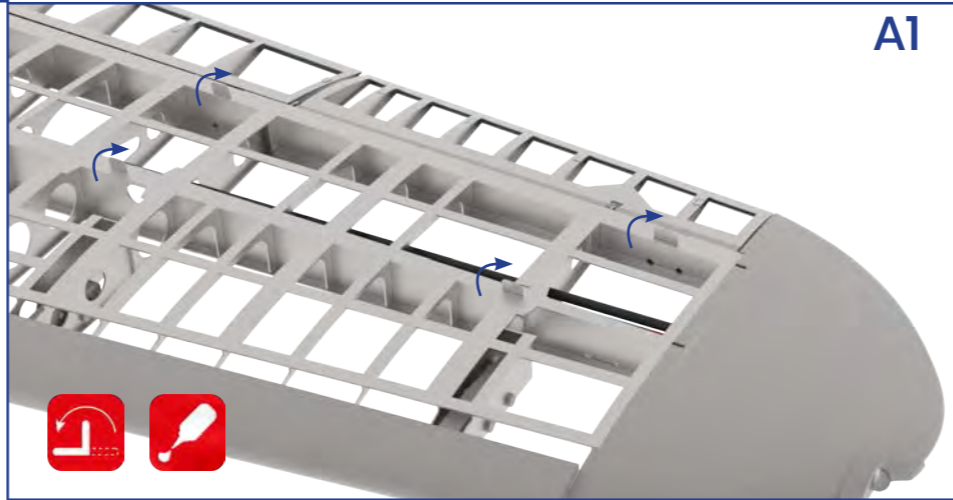
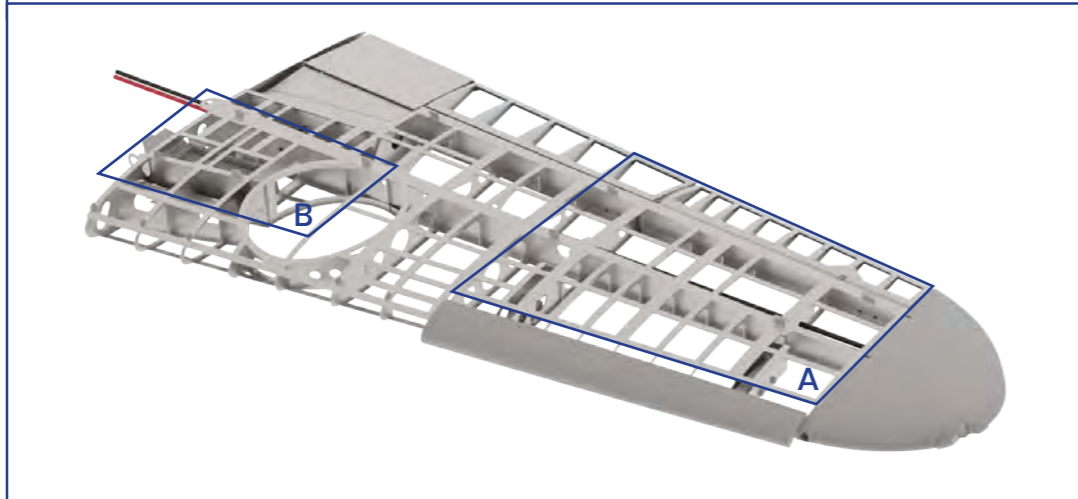
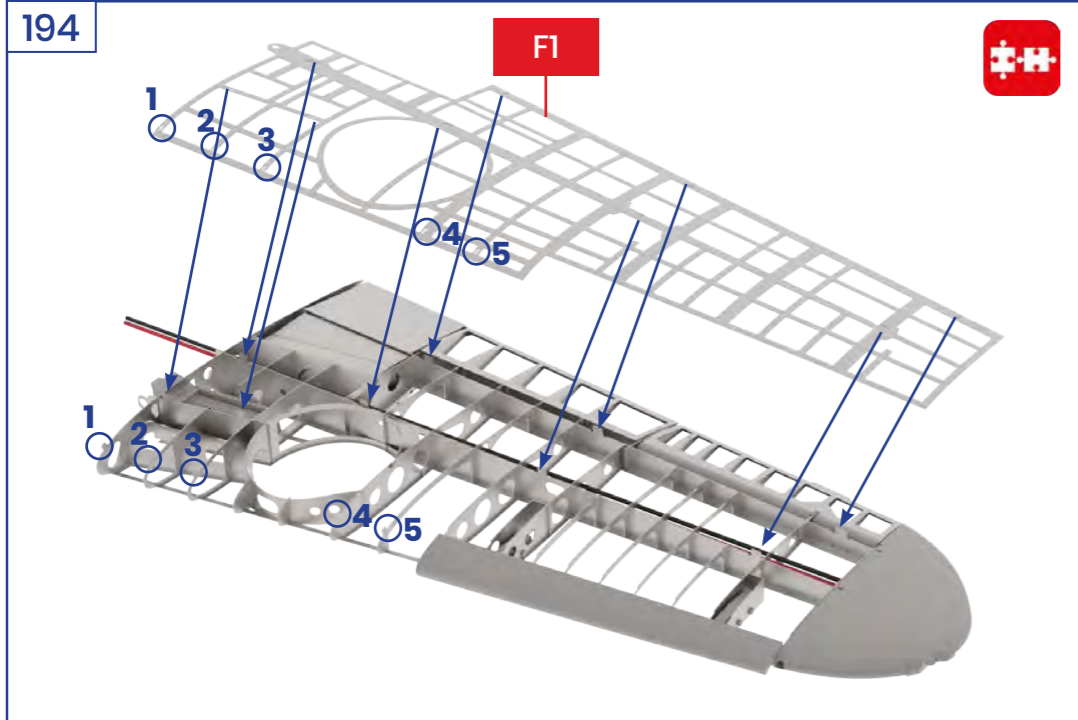
192



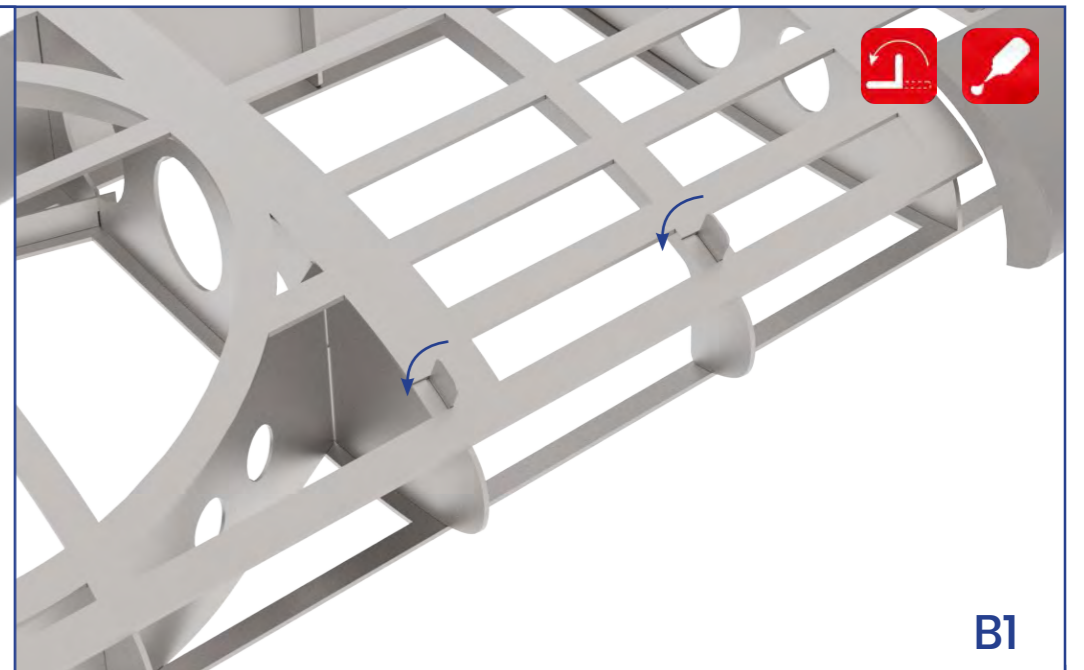
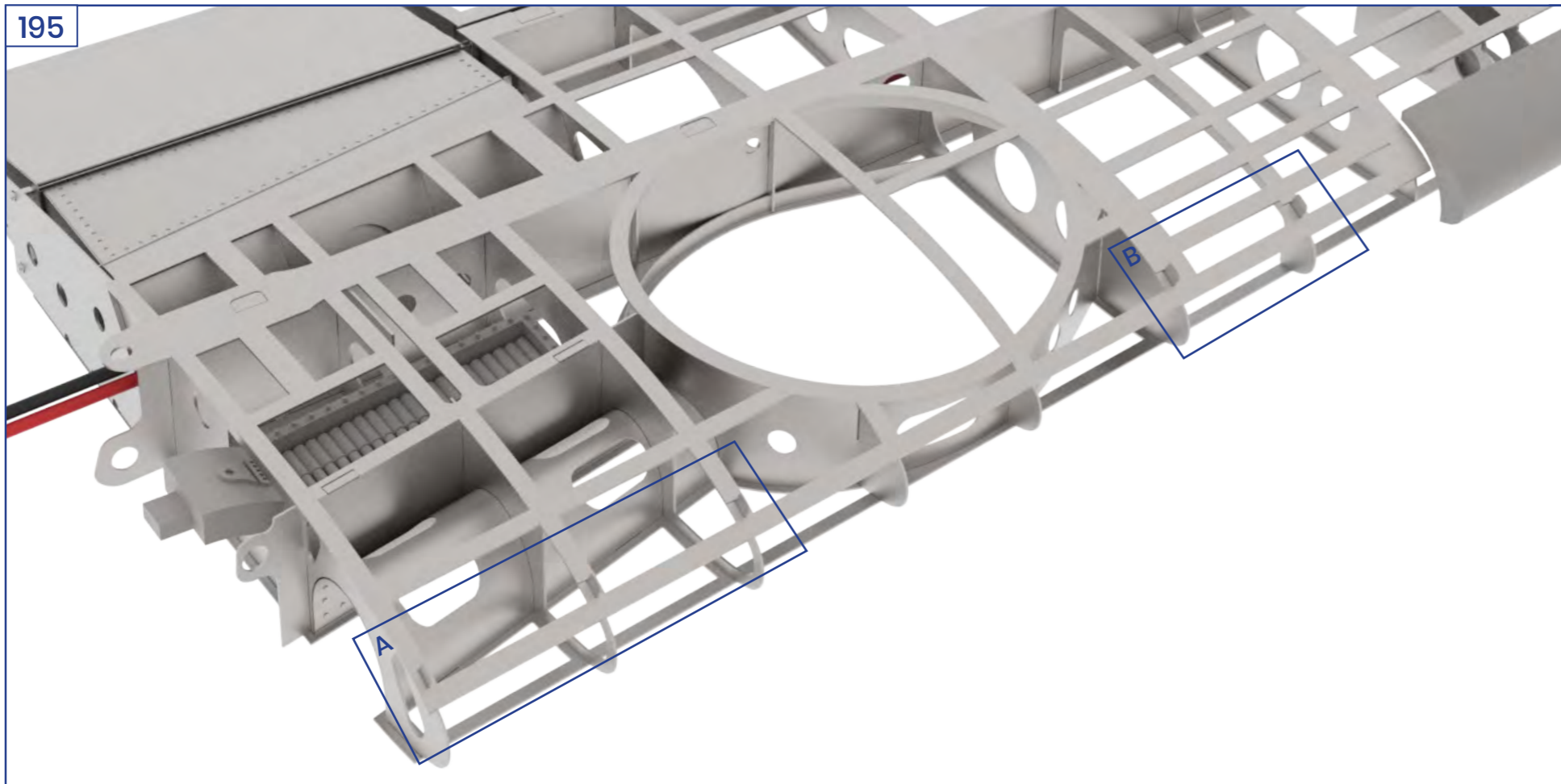
193



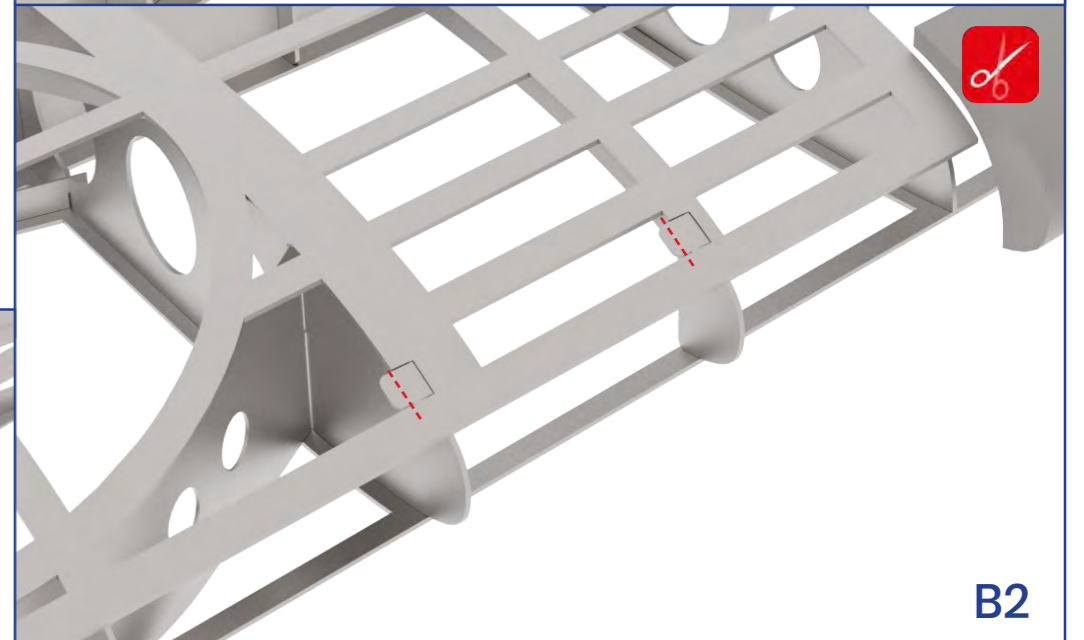
194



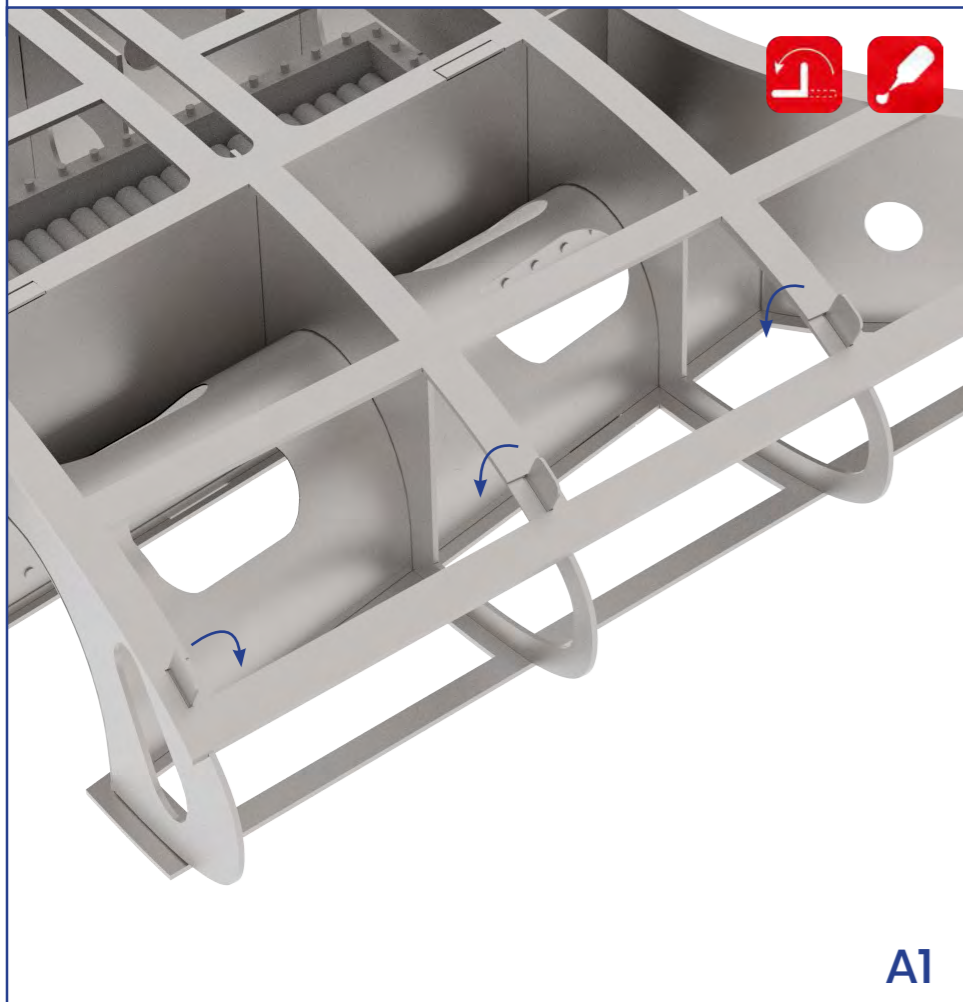
195



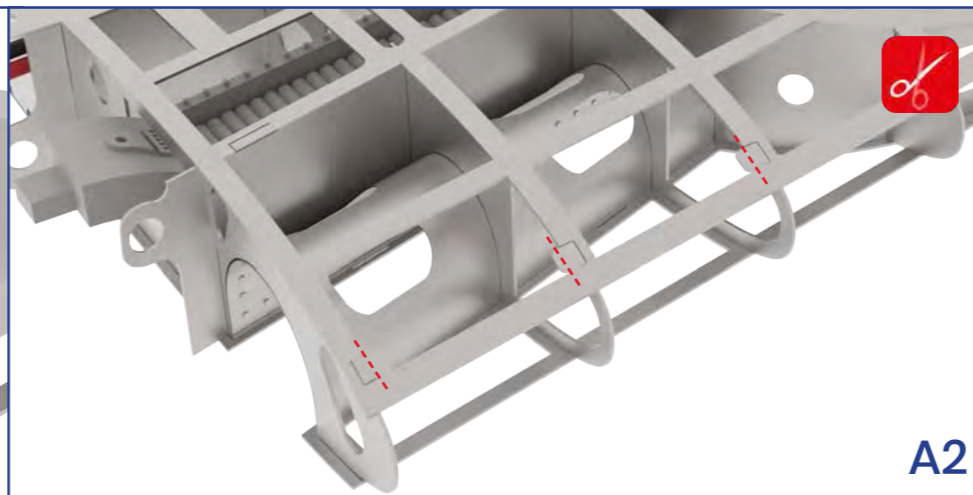
B1



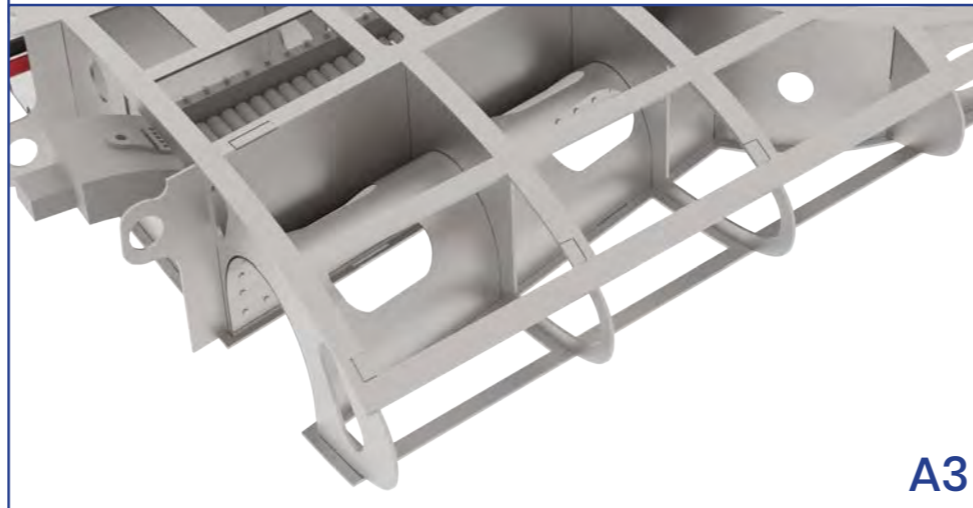
B2



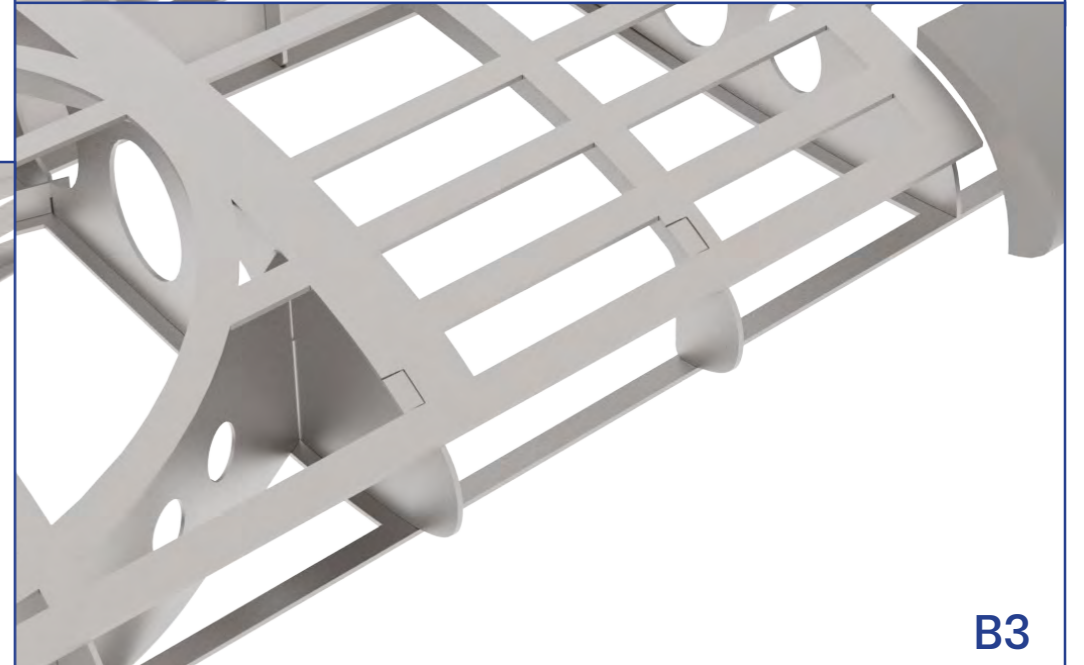
A1



A2



A3

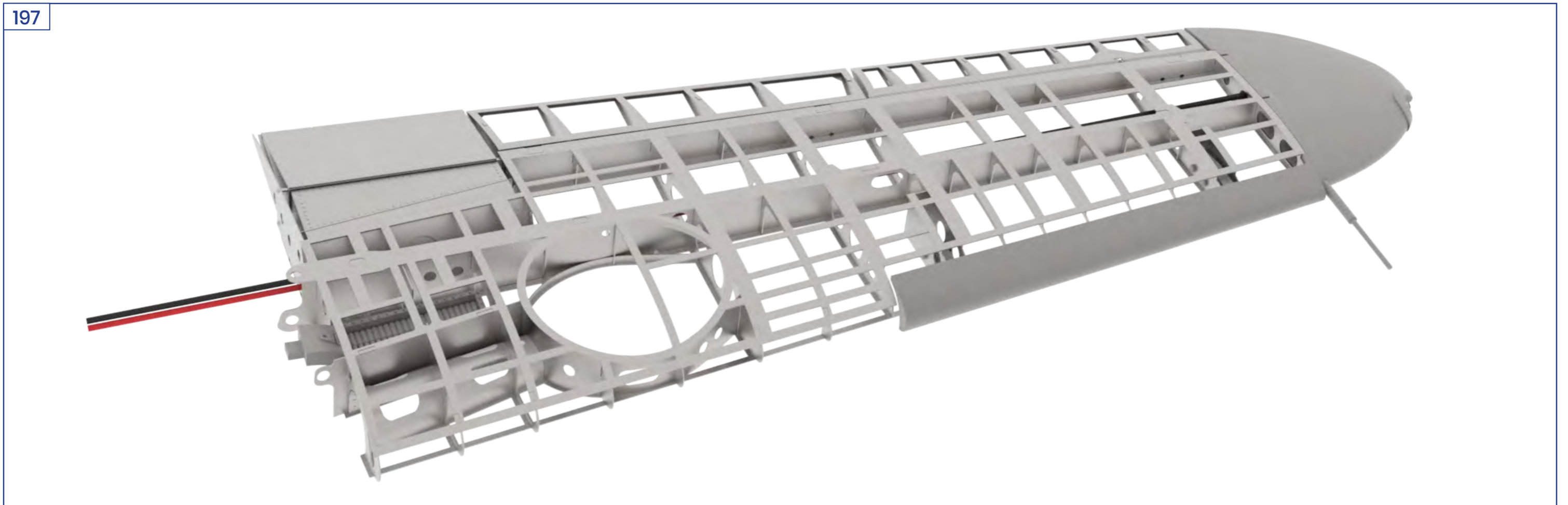


B3

196

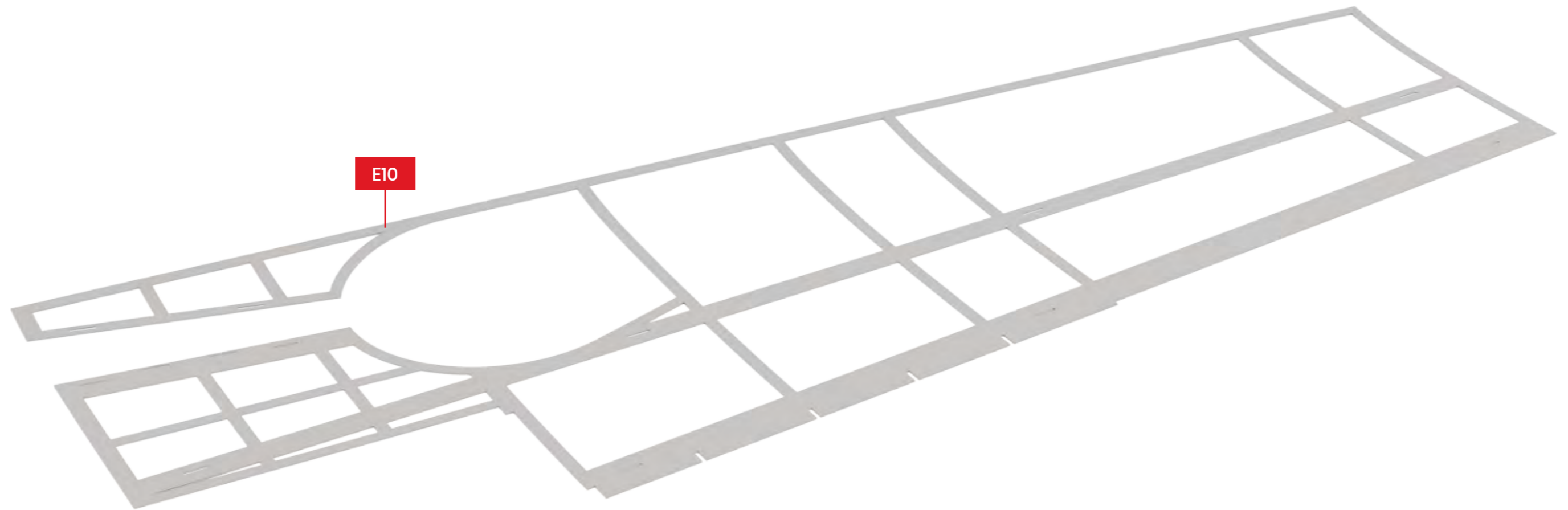
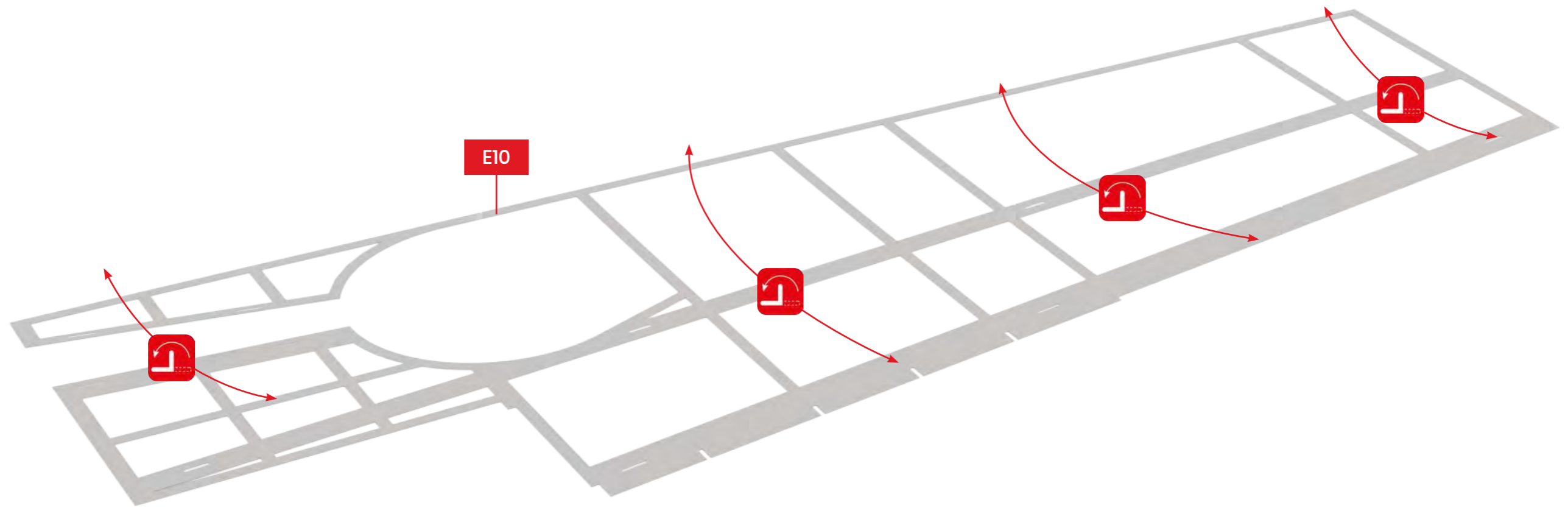


197

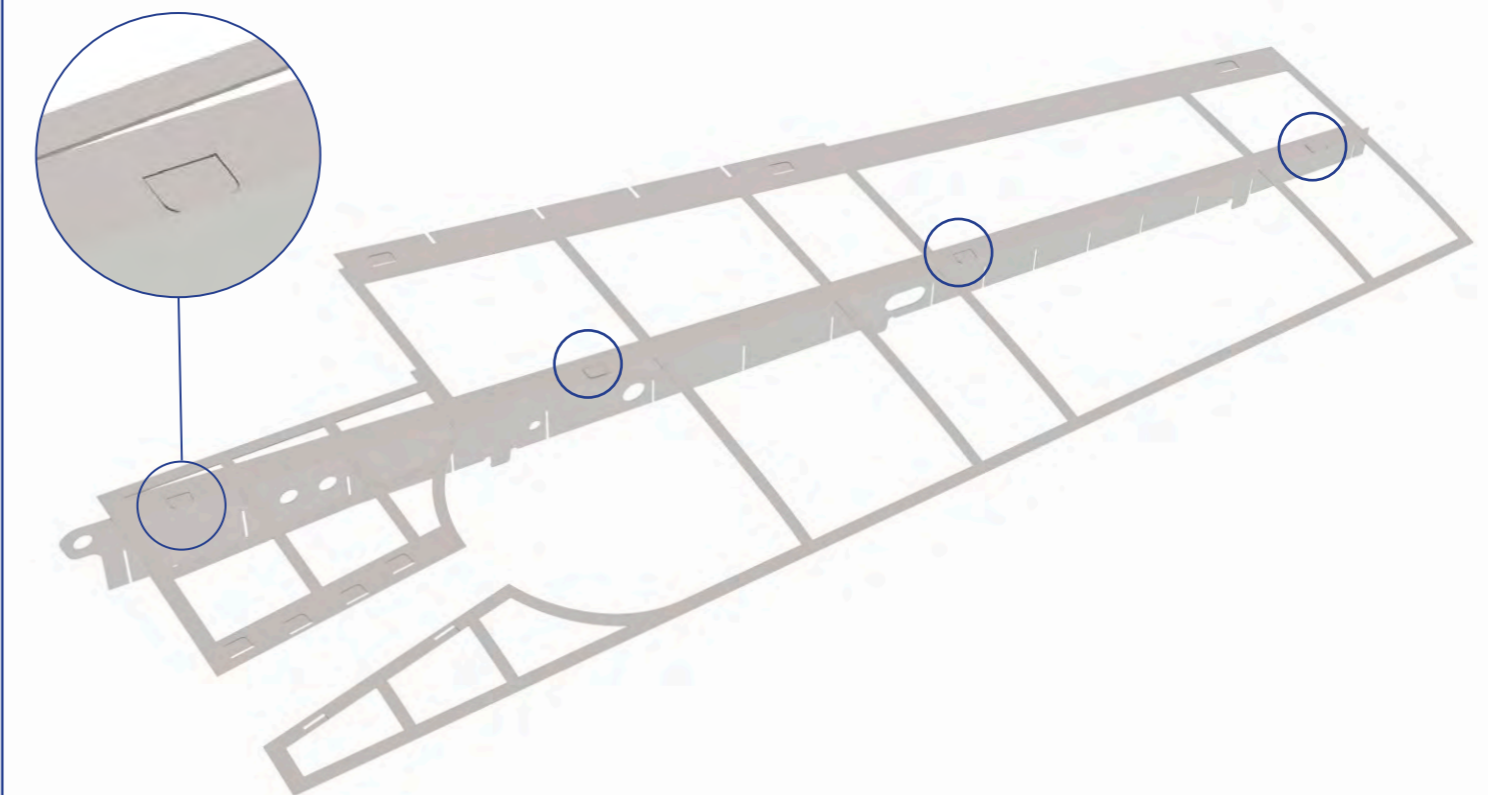
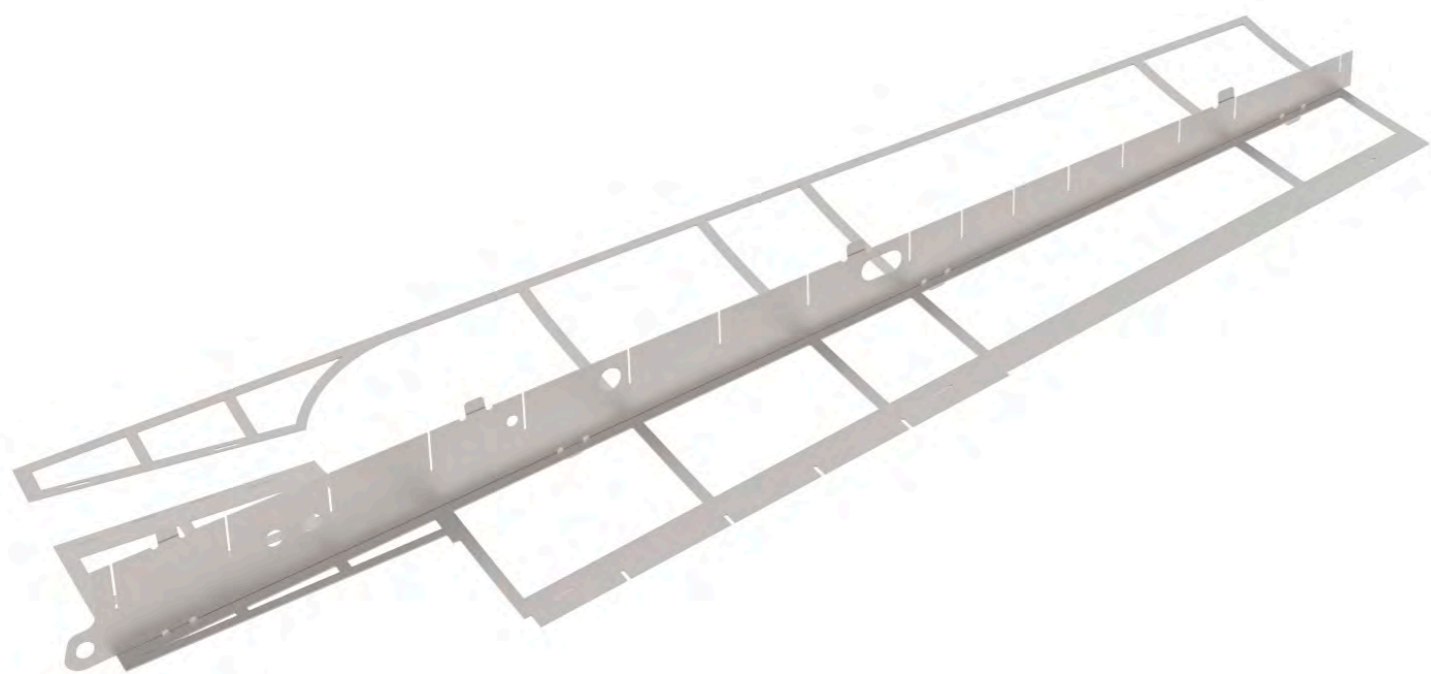
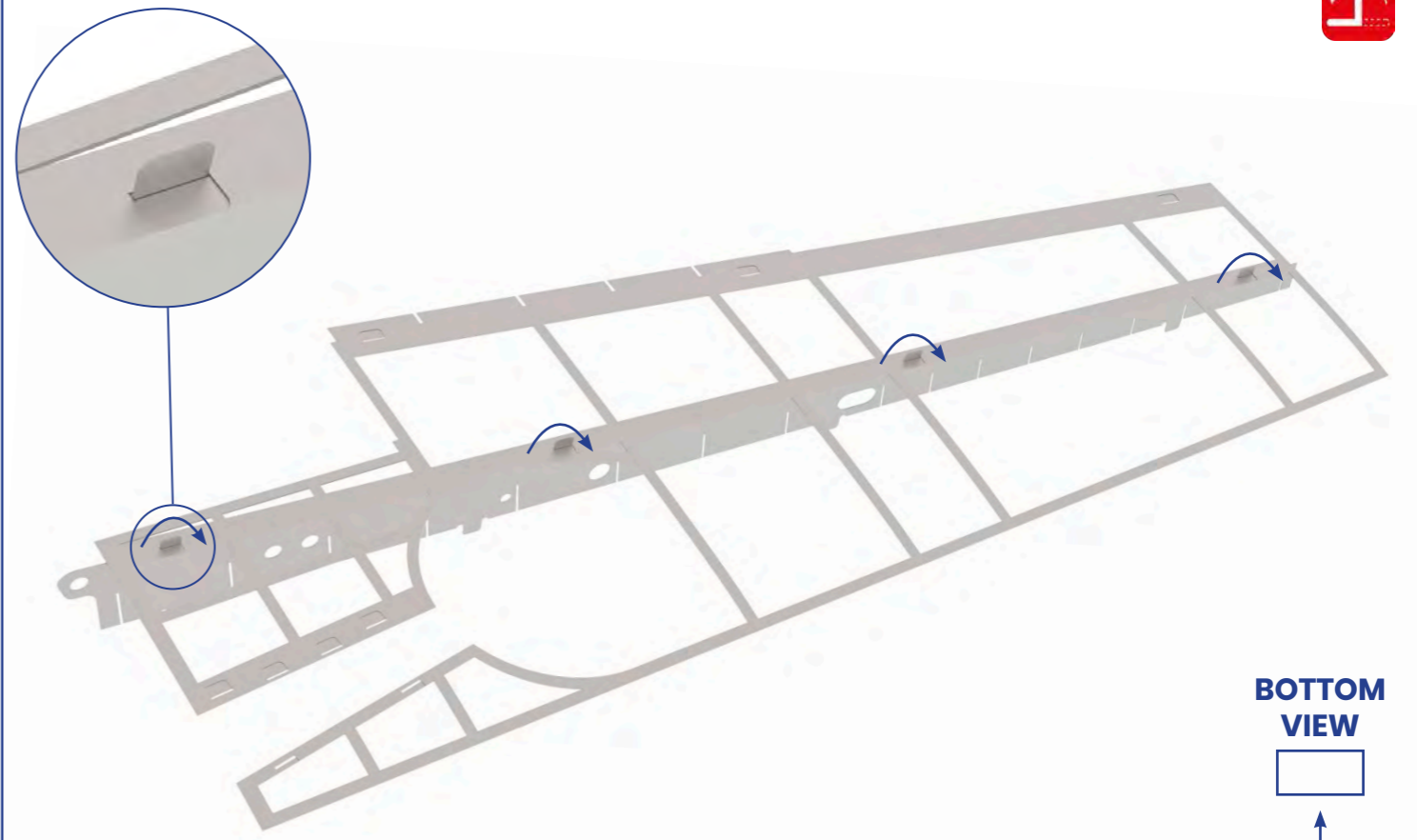
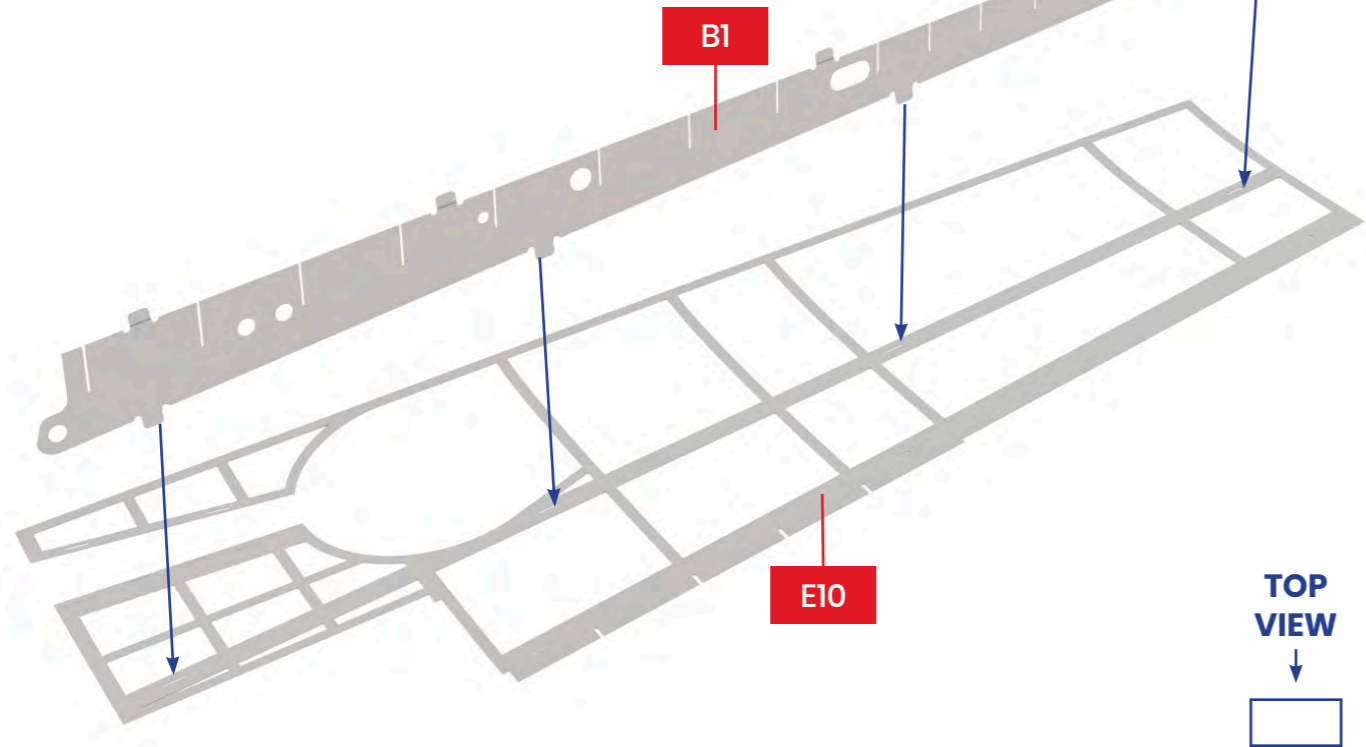


198

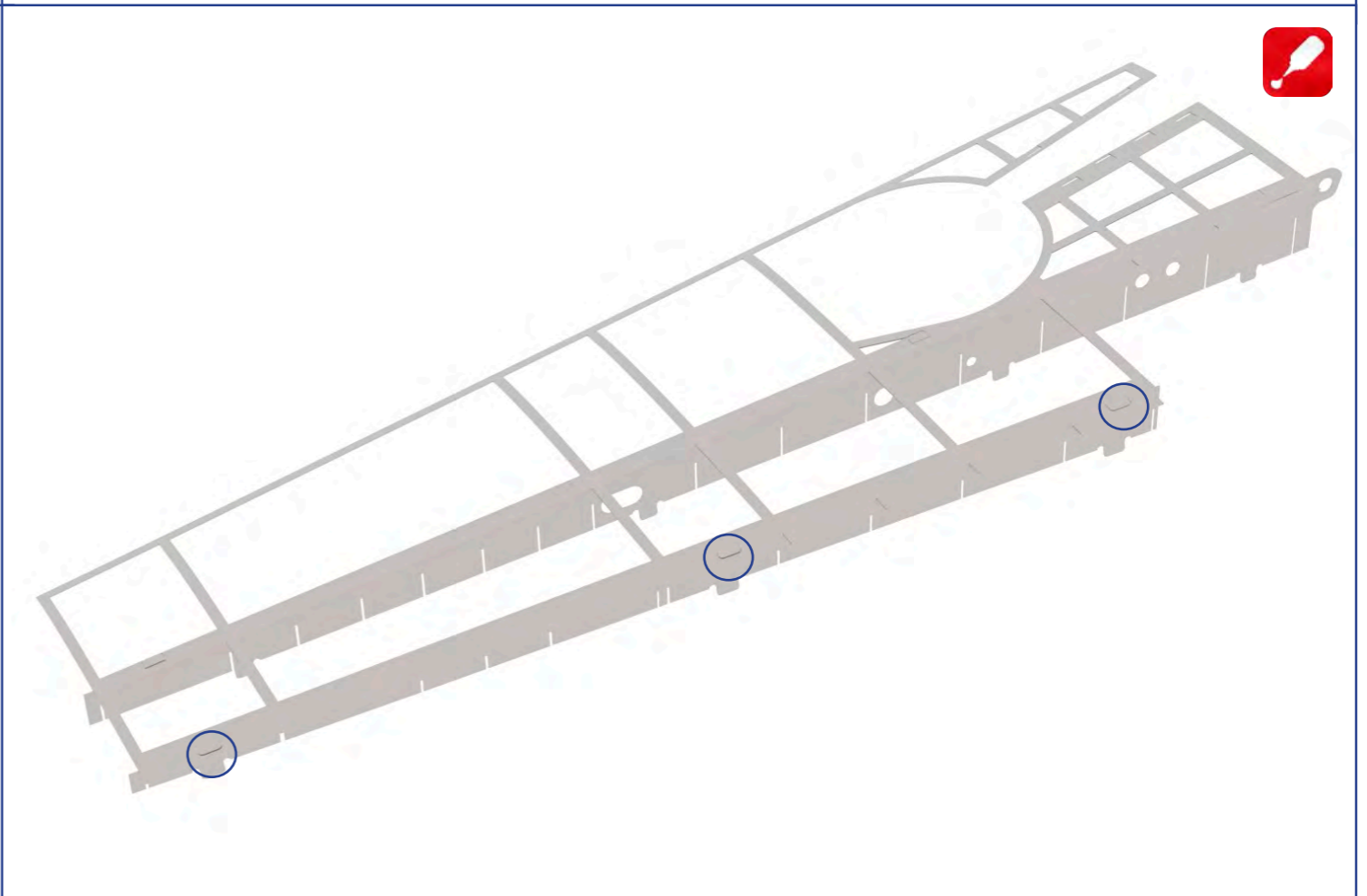
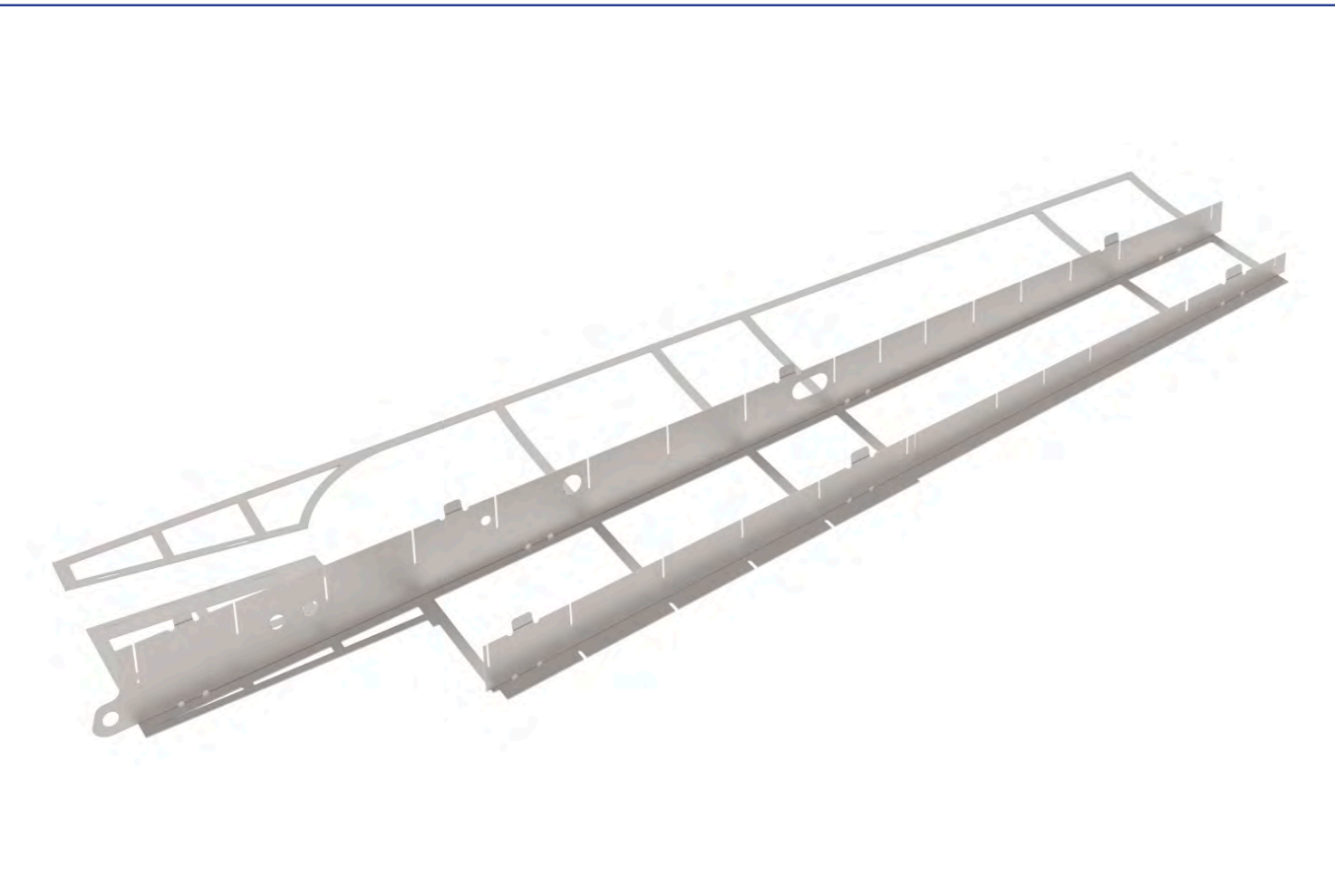
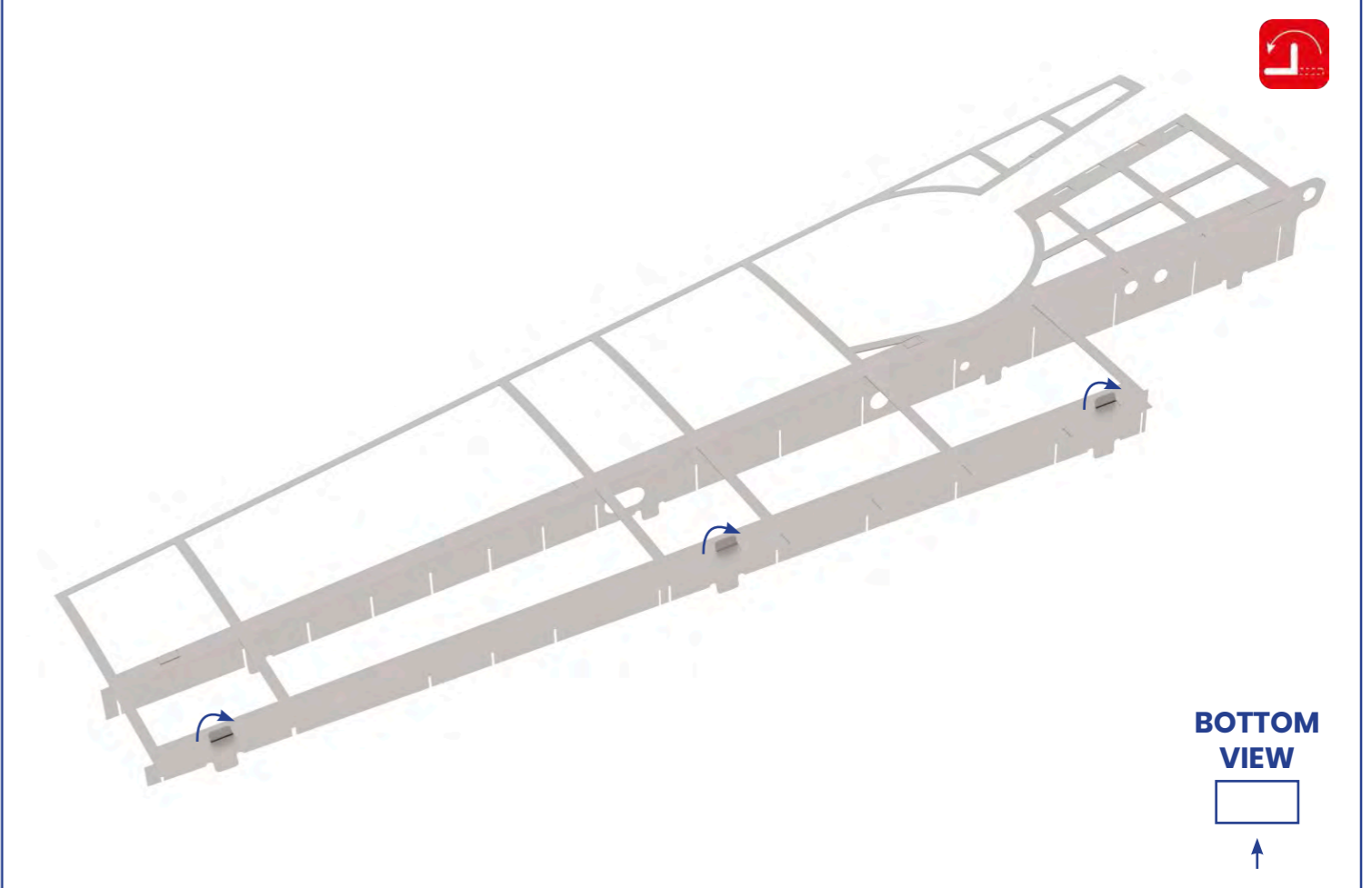
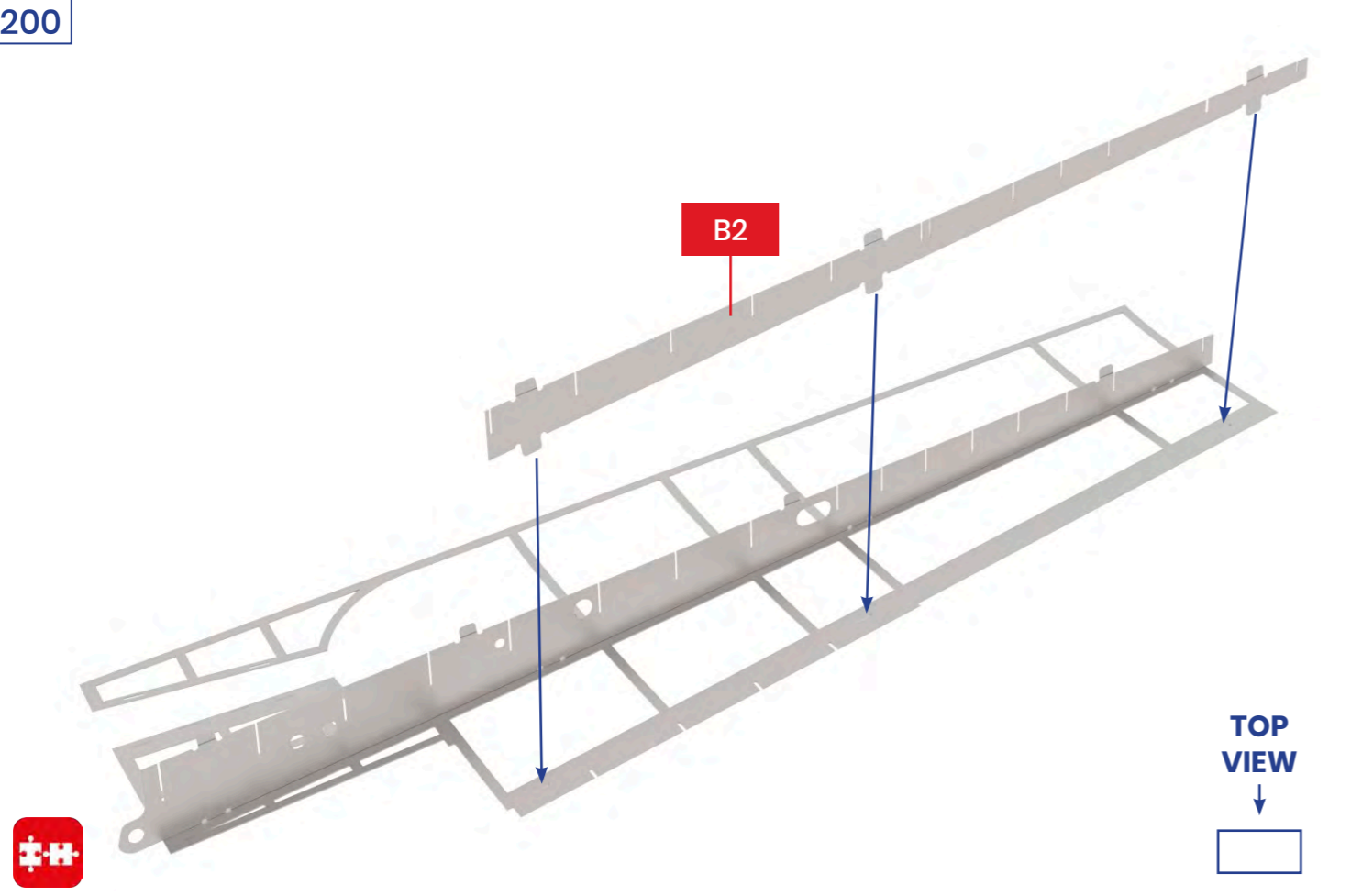
TOP
VIEW
↓
□



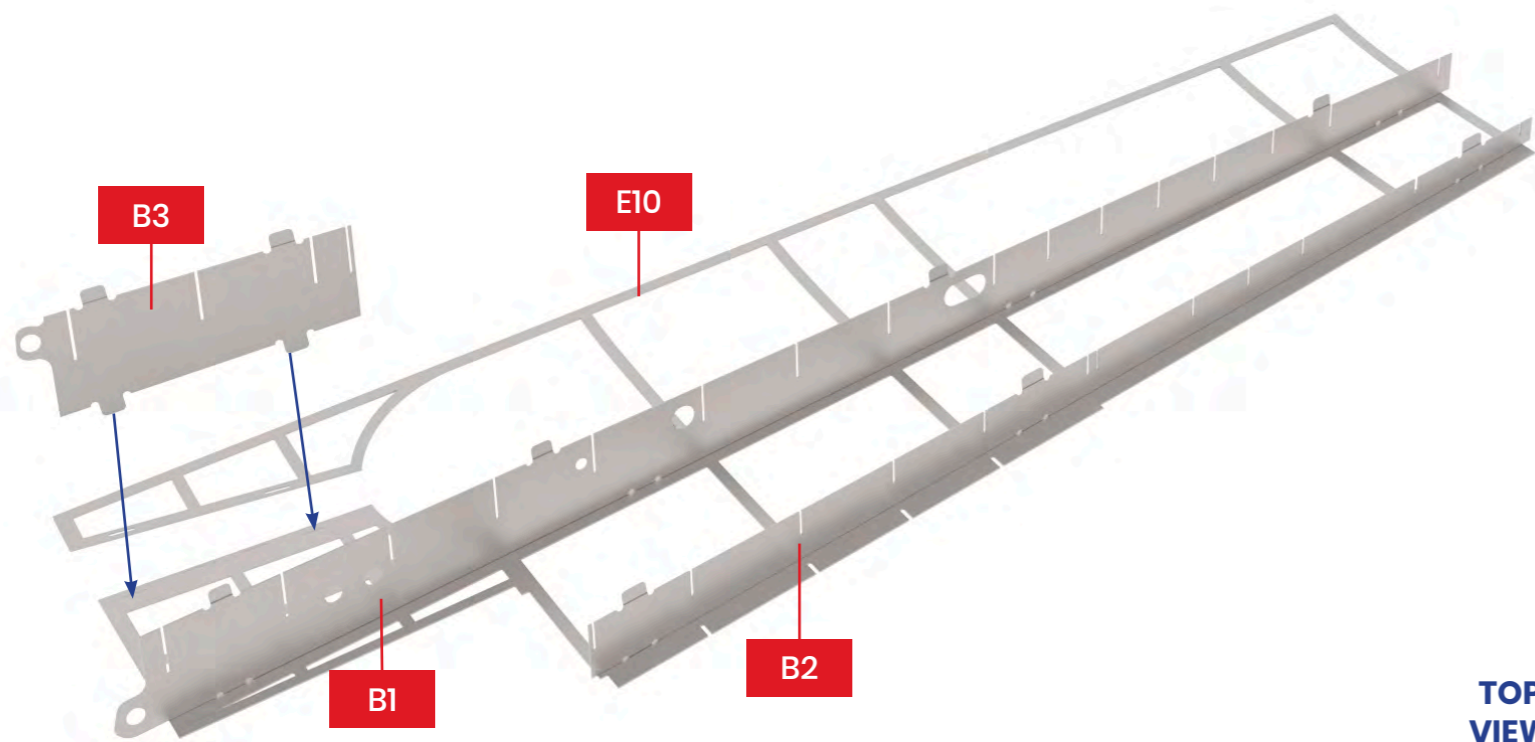
199



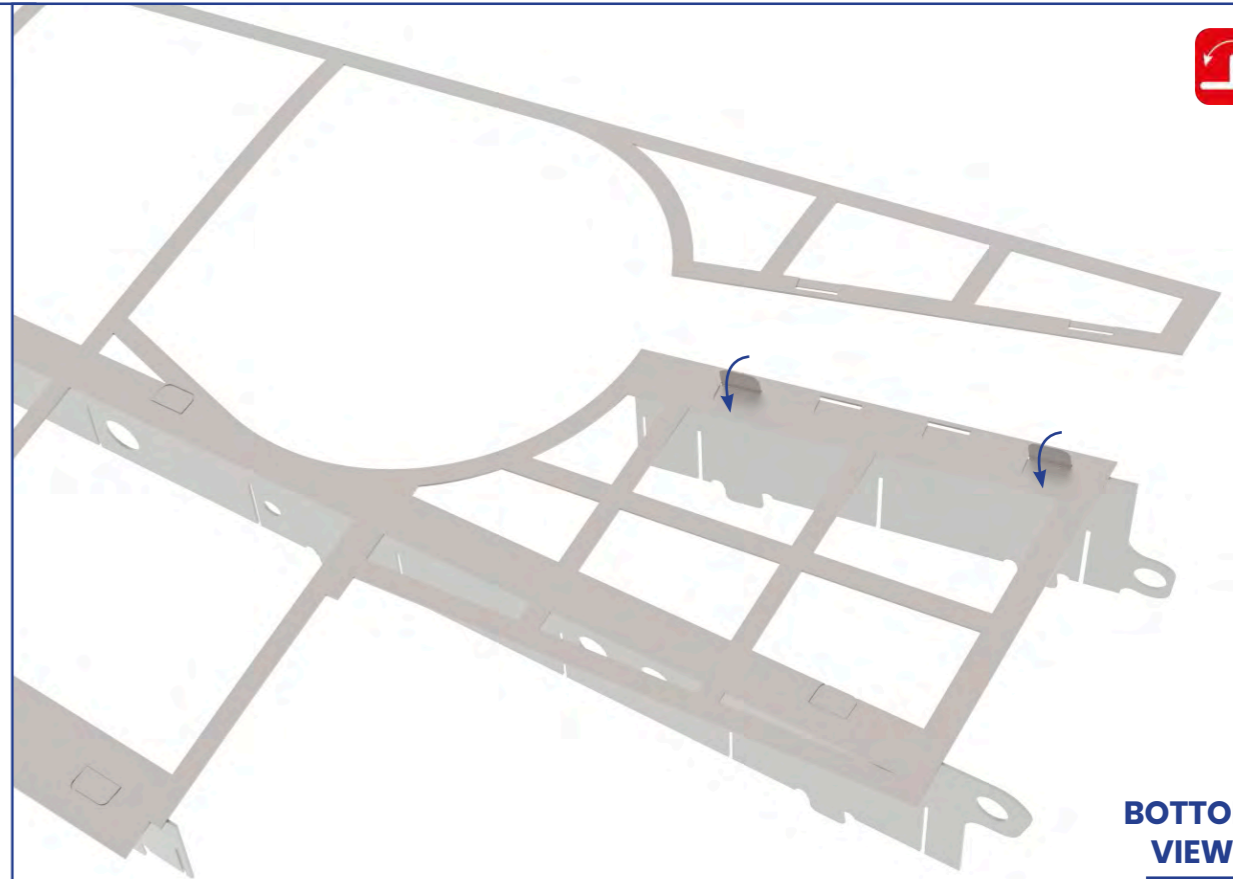
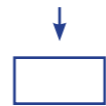
200



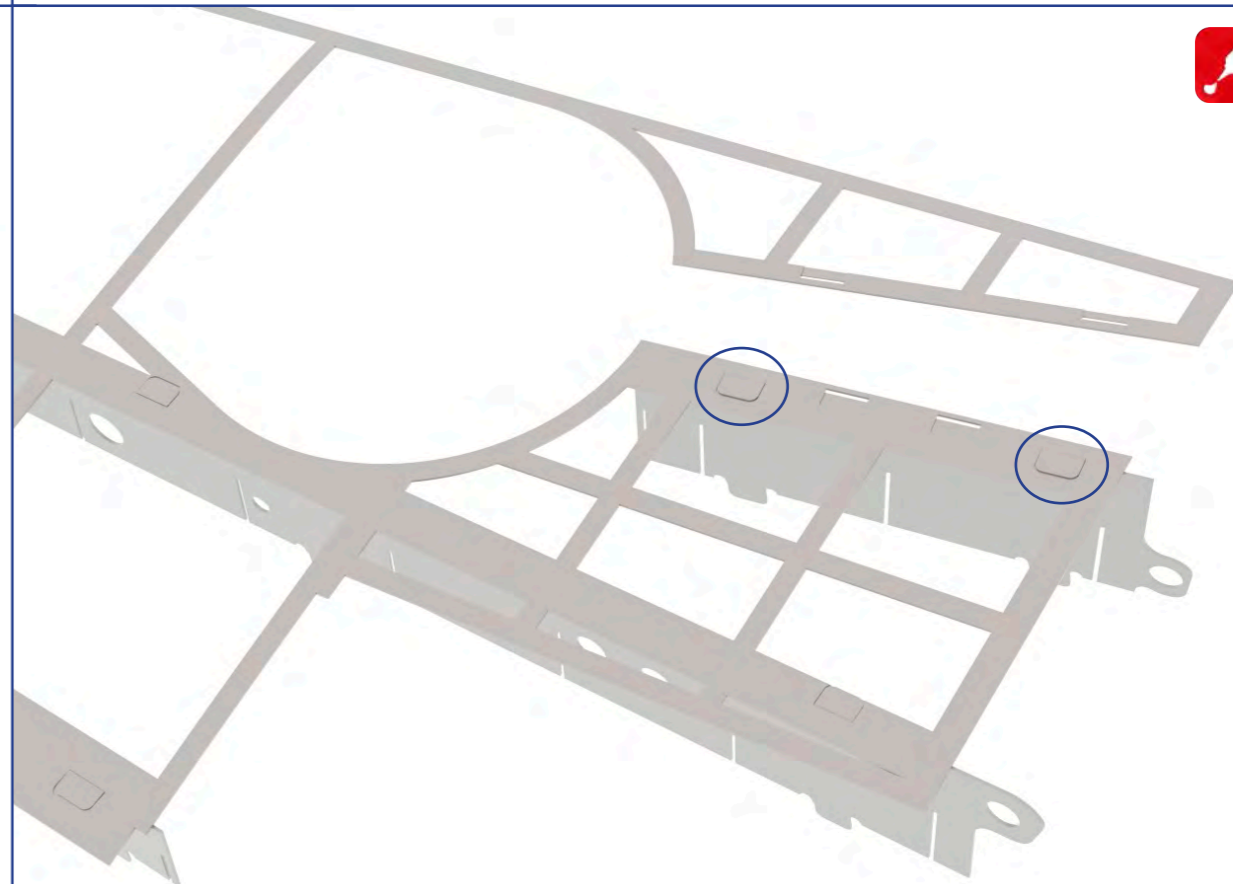
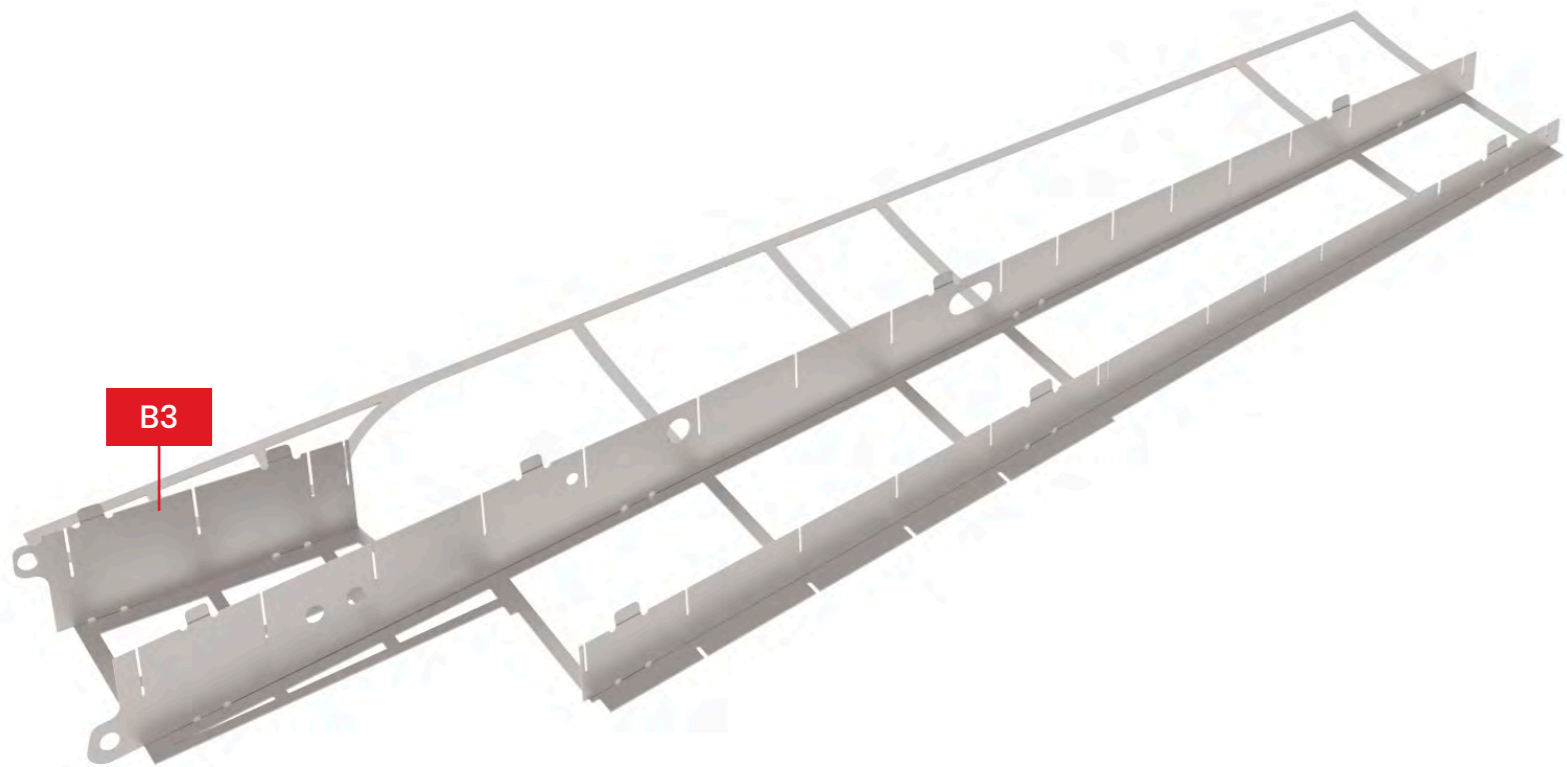
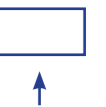
201



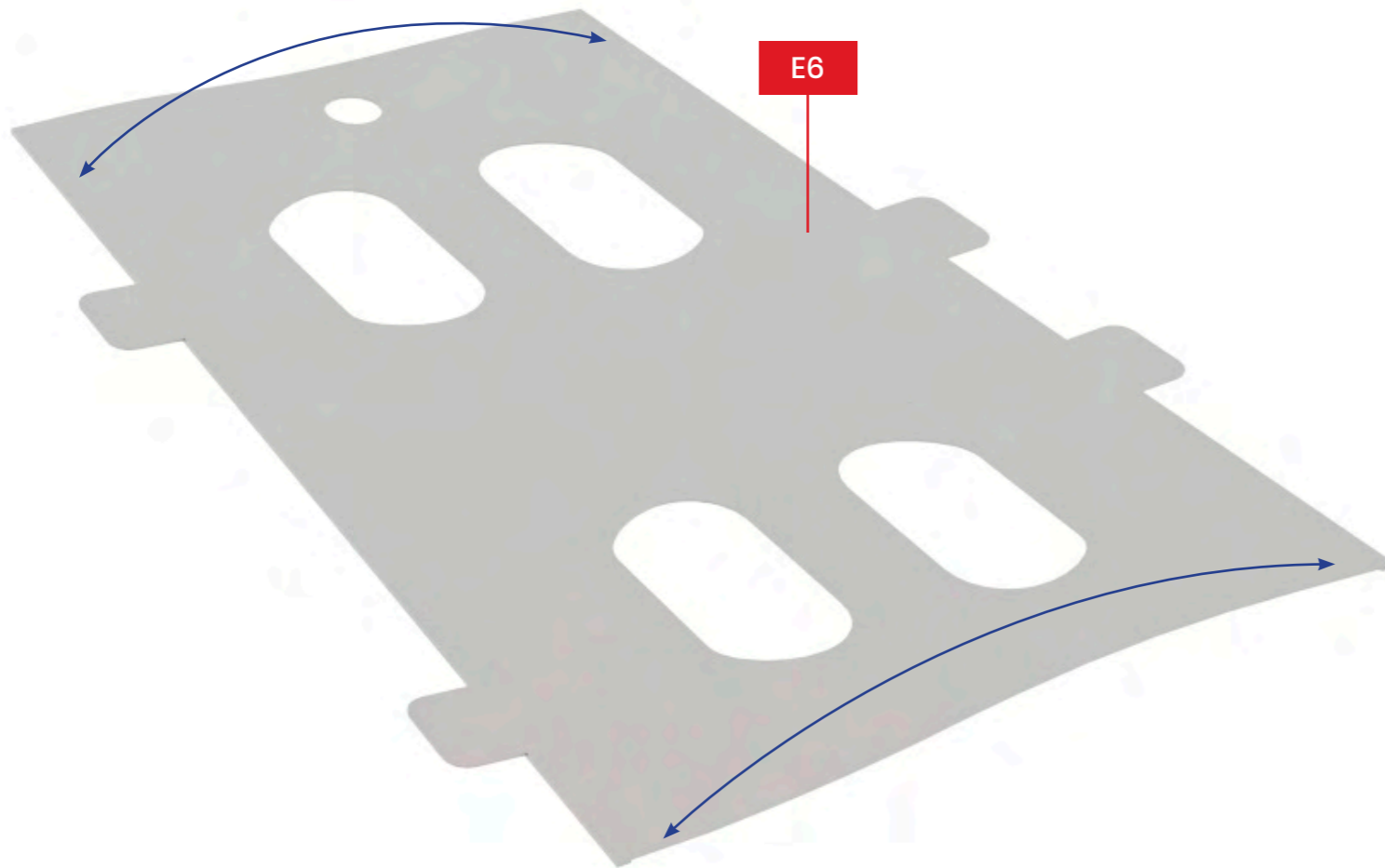
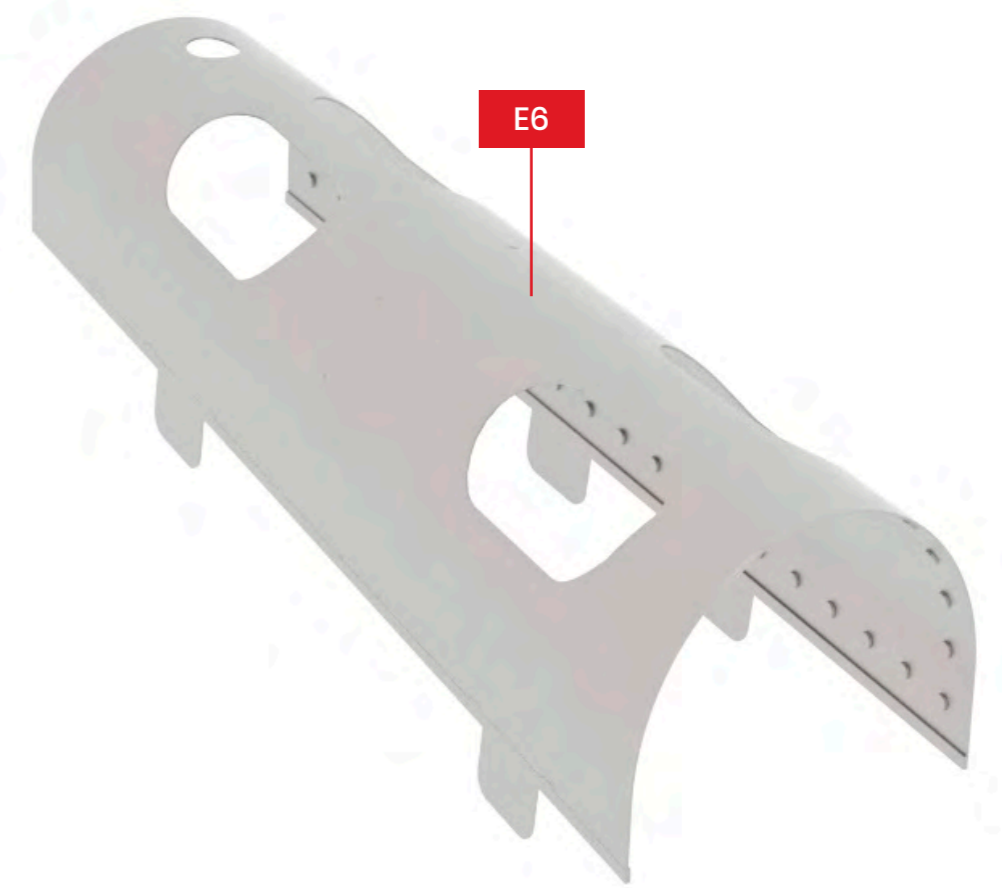
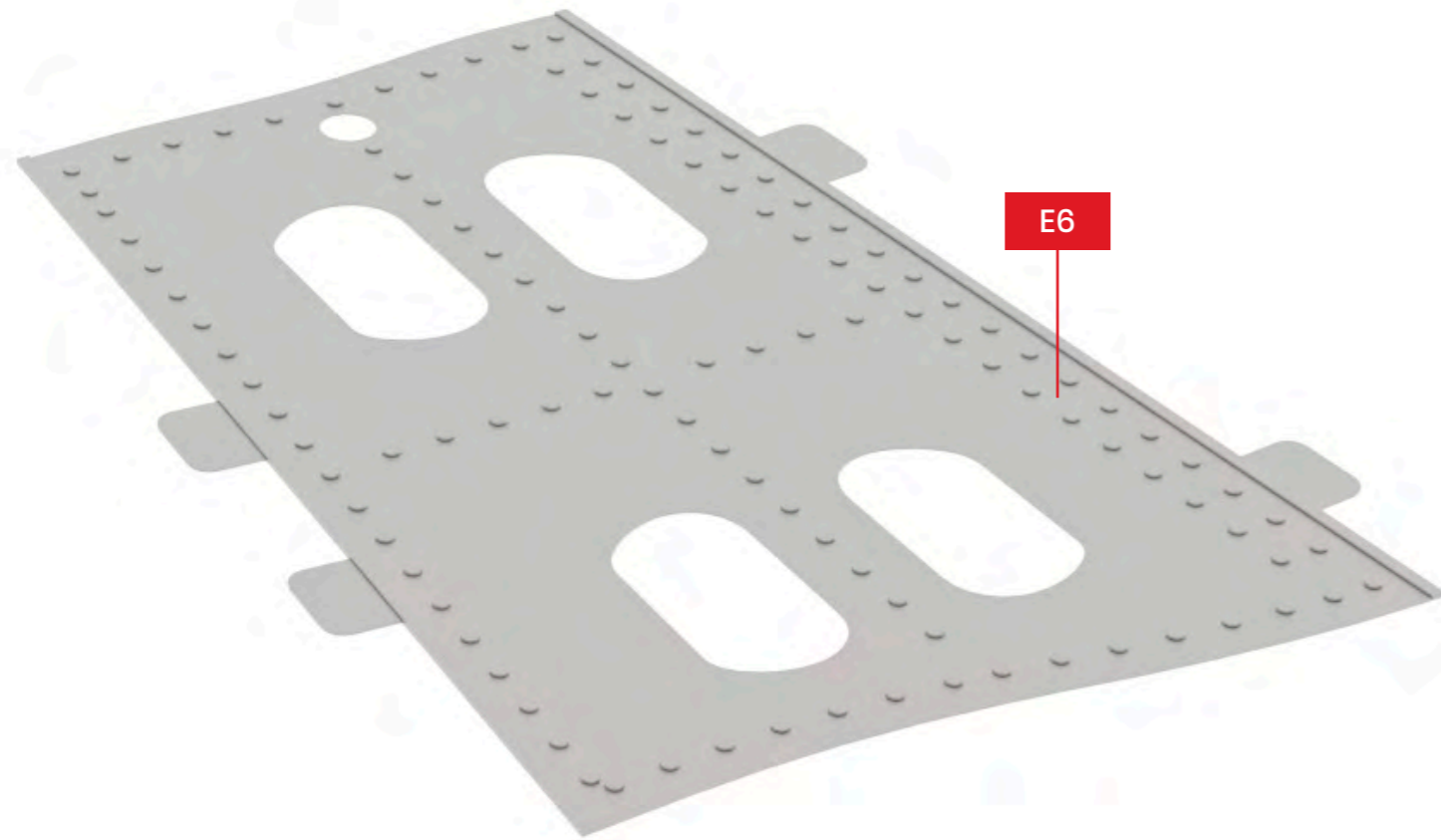
TOP
VIEW



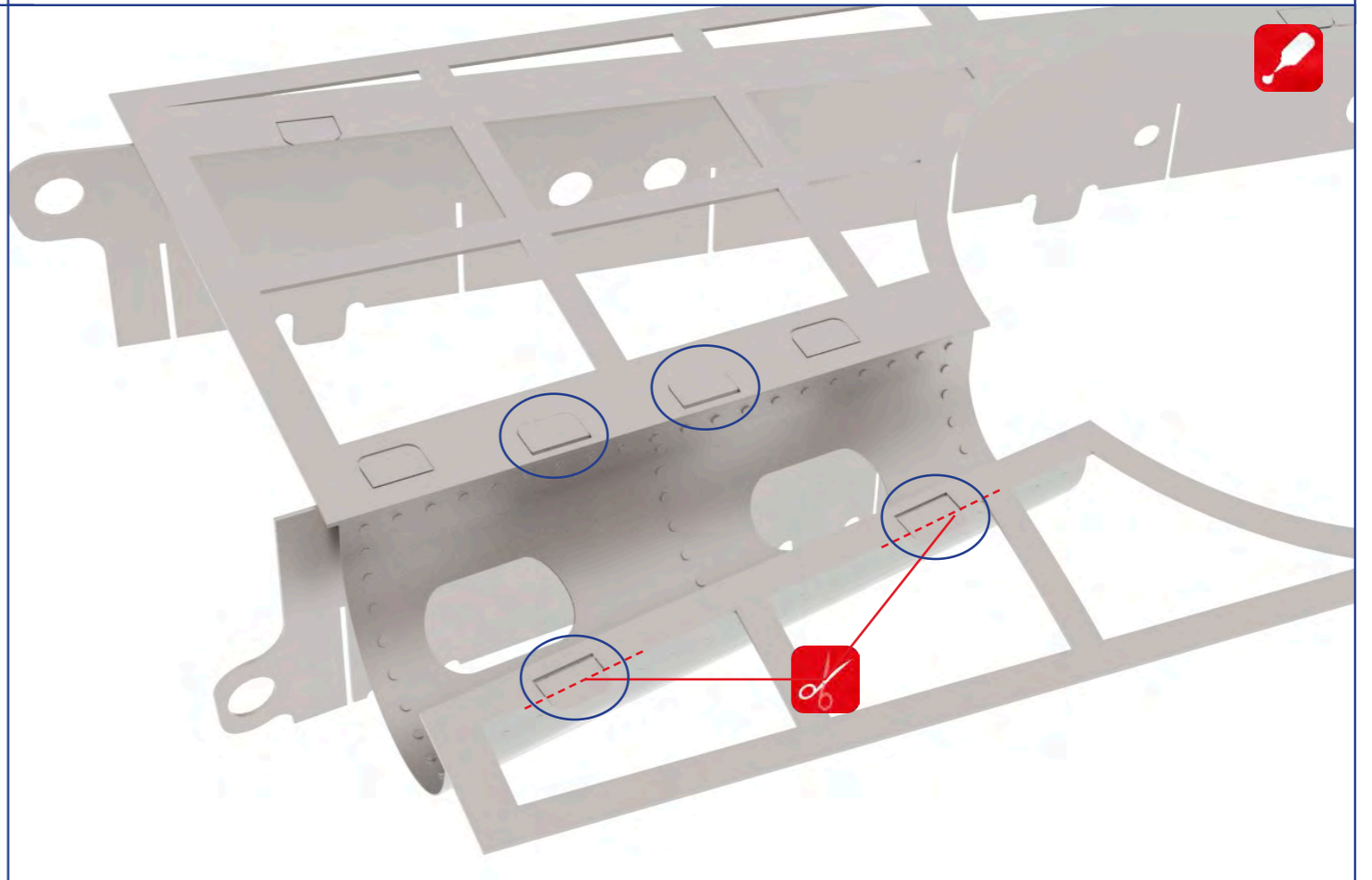
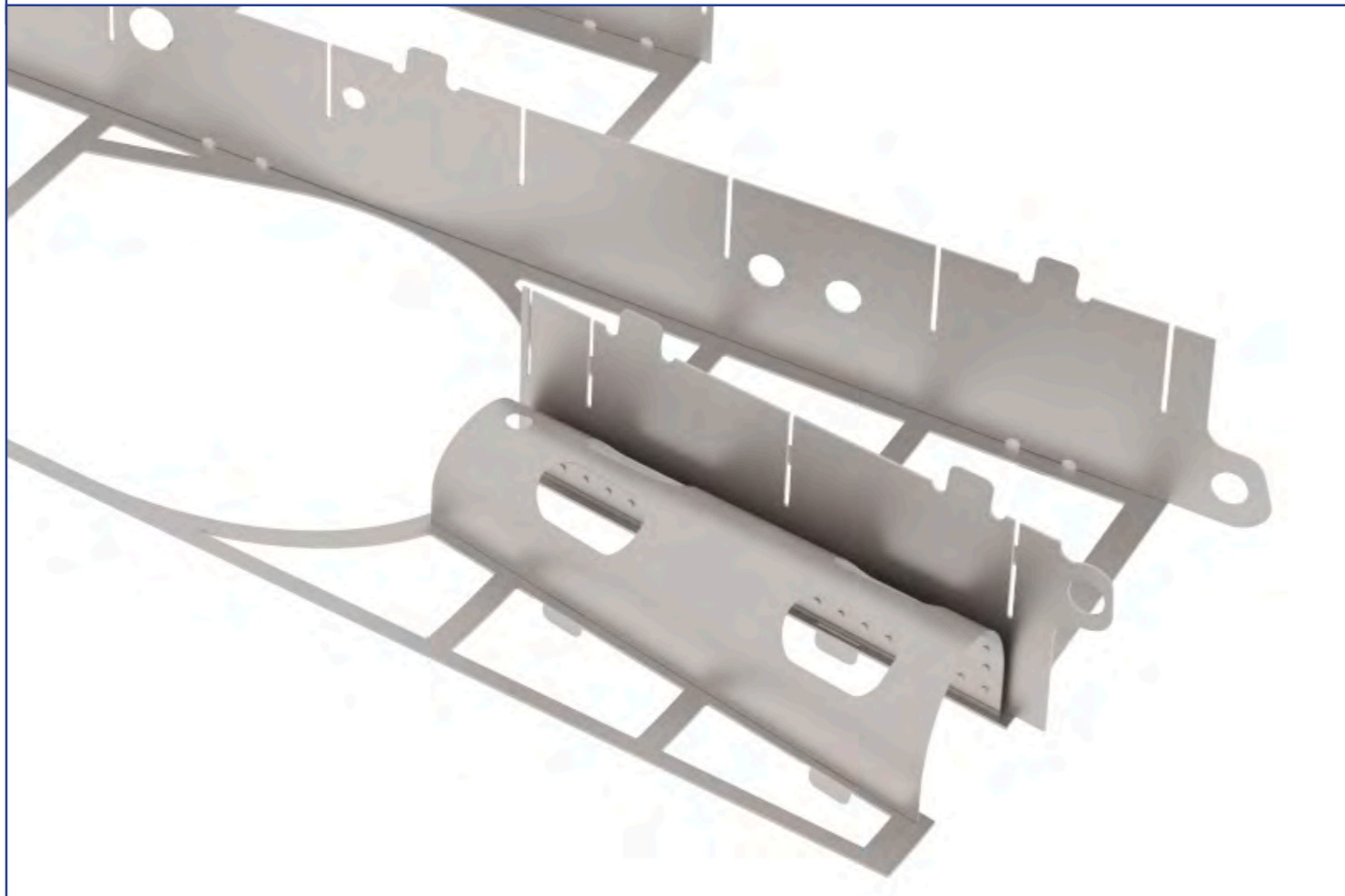
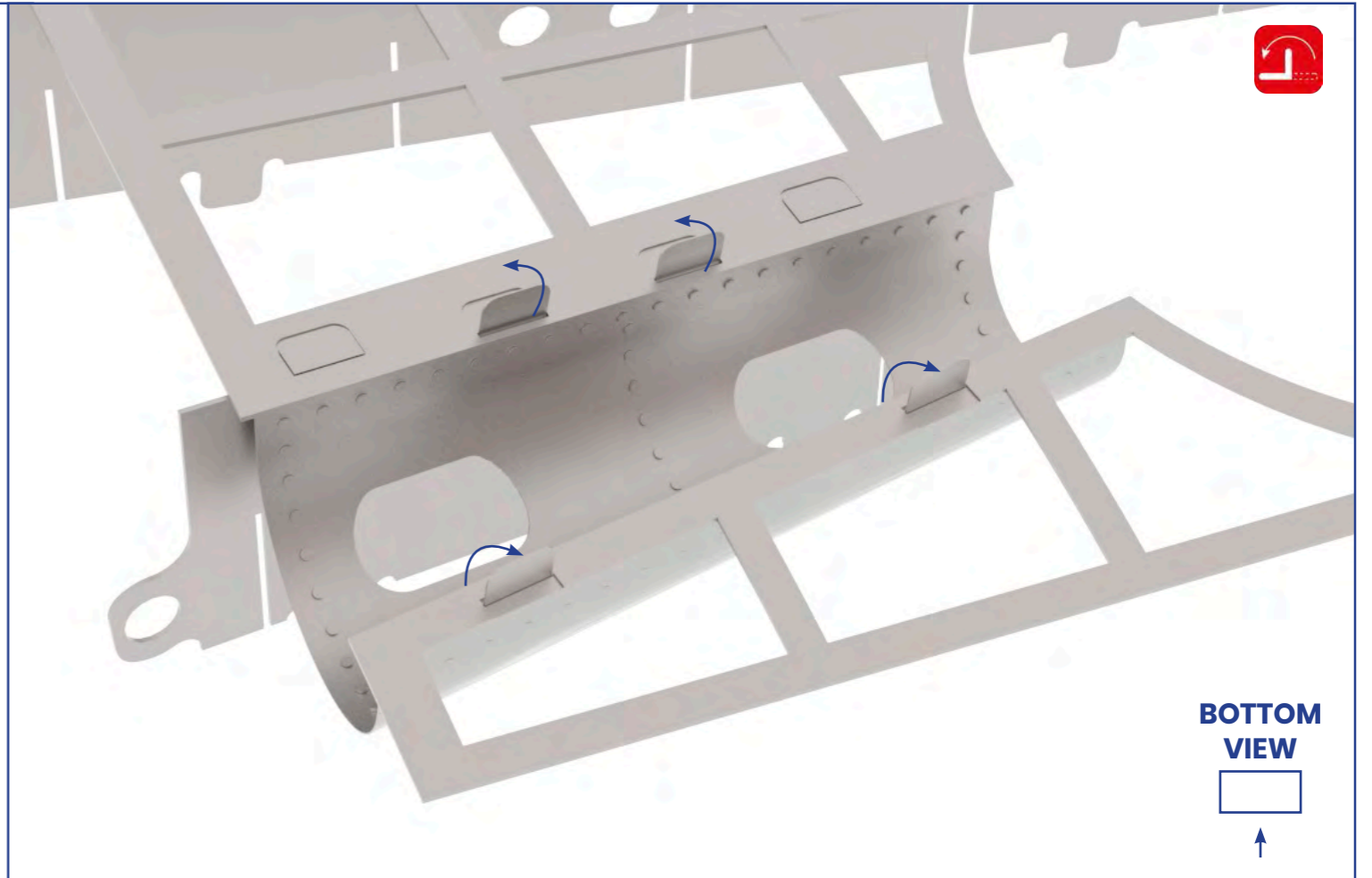
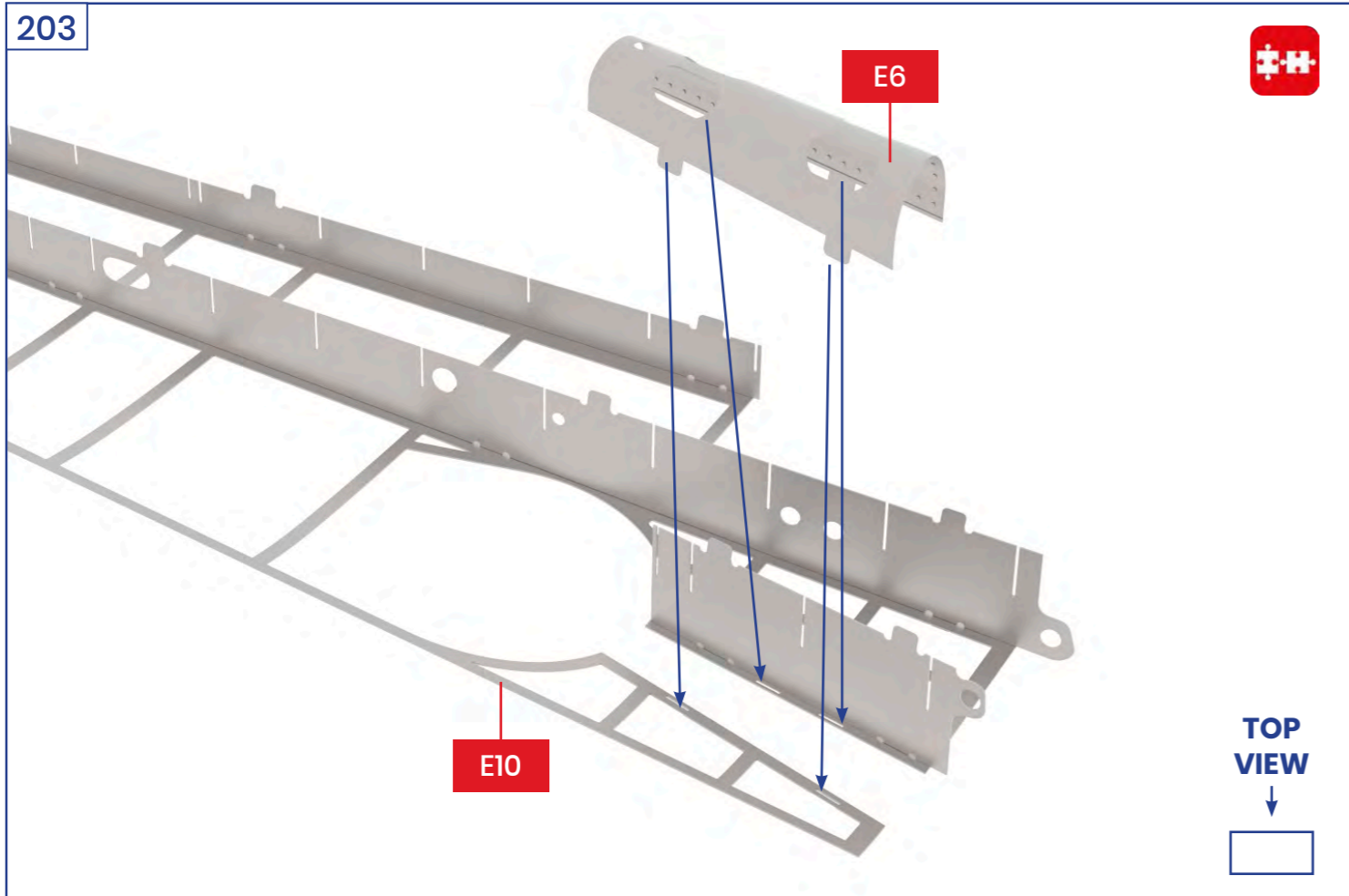
BOTTOM
VIEW



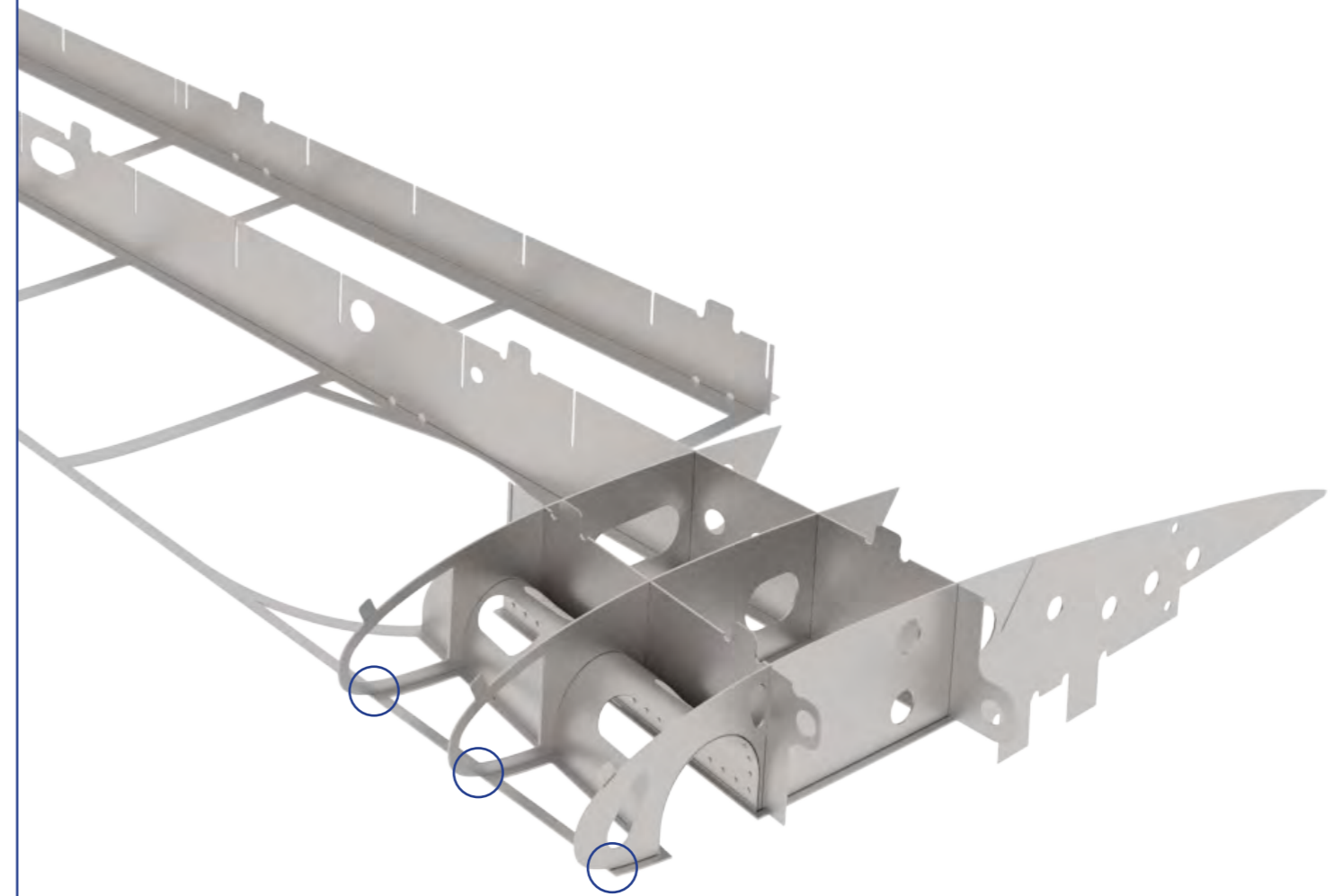
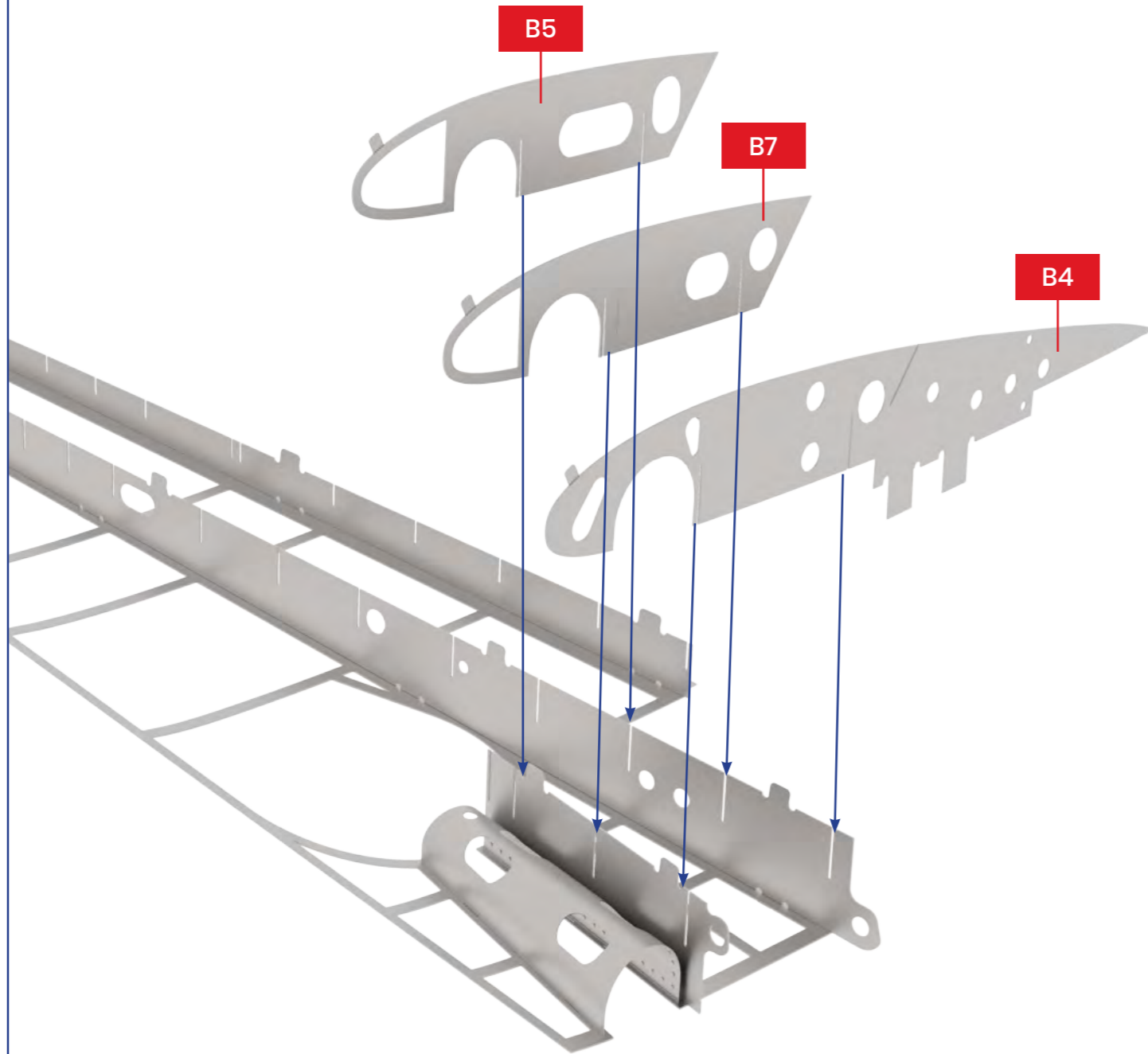
202



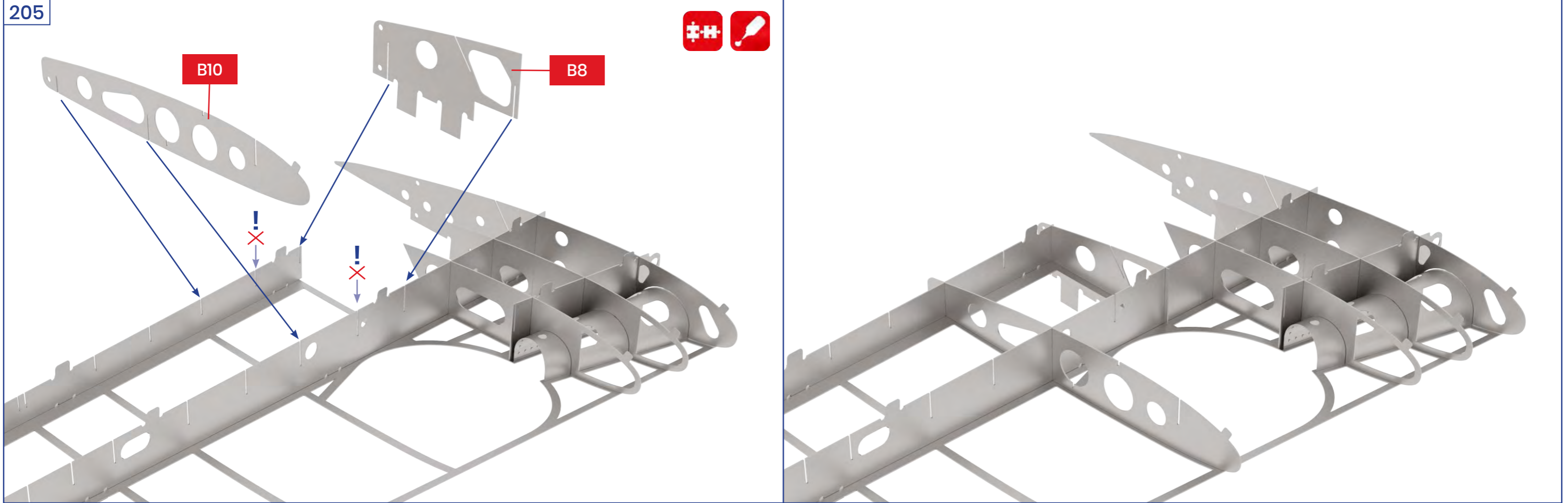
203



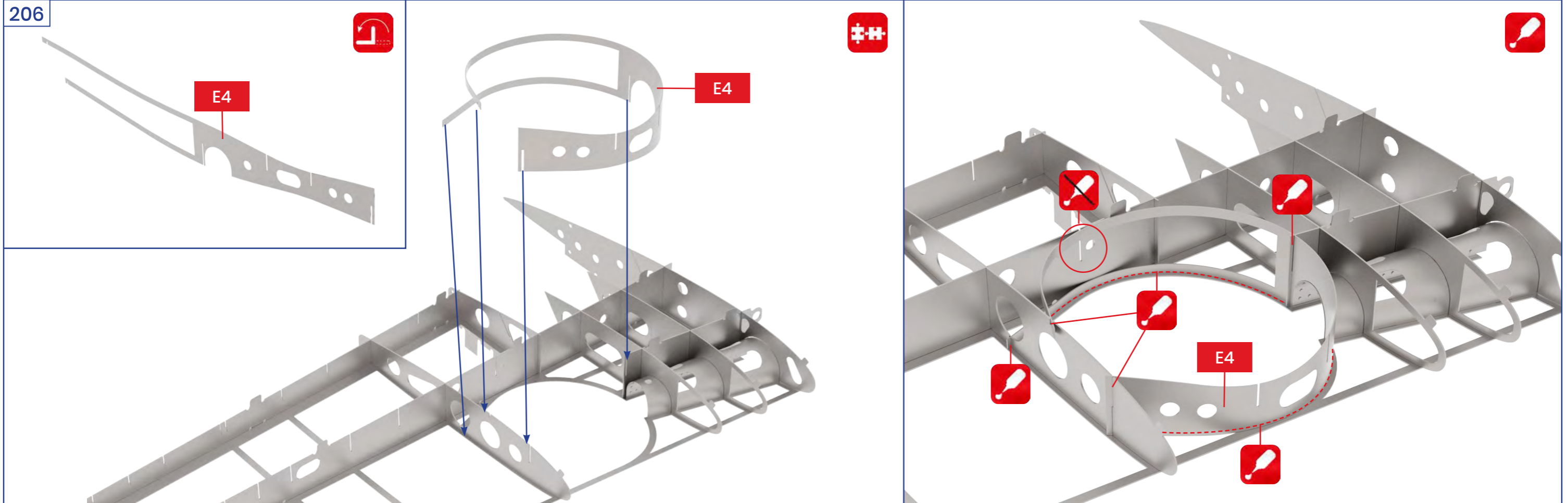
204



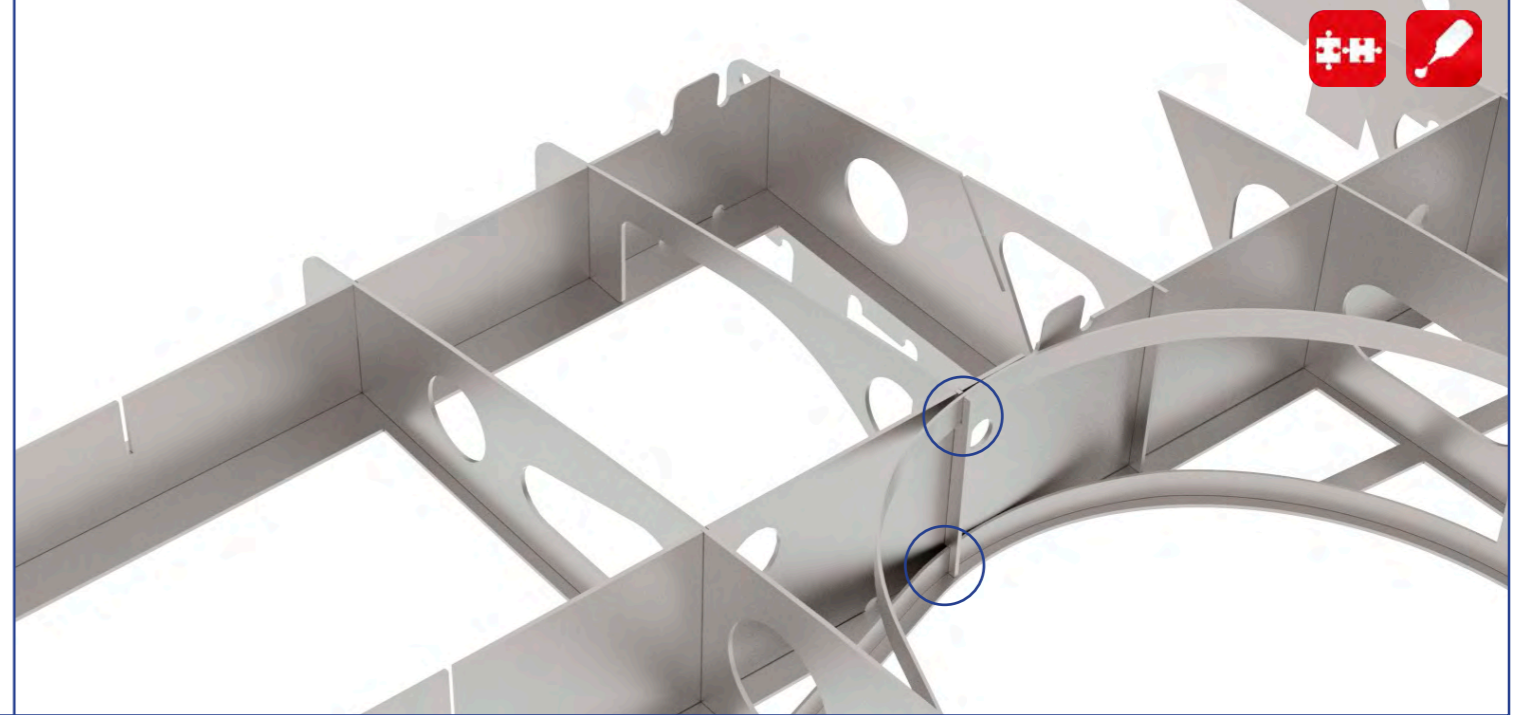
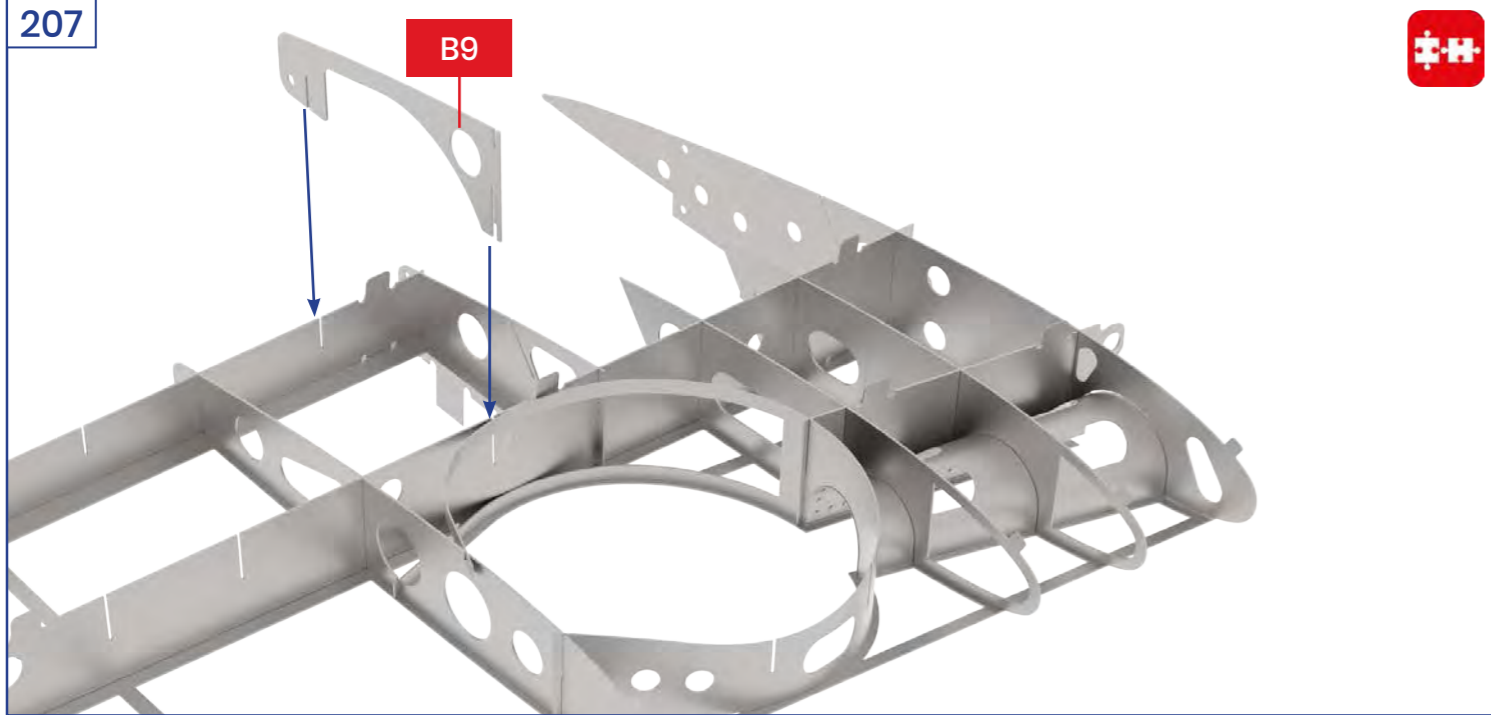
205



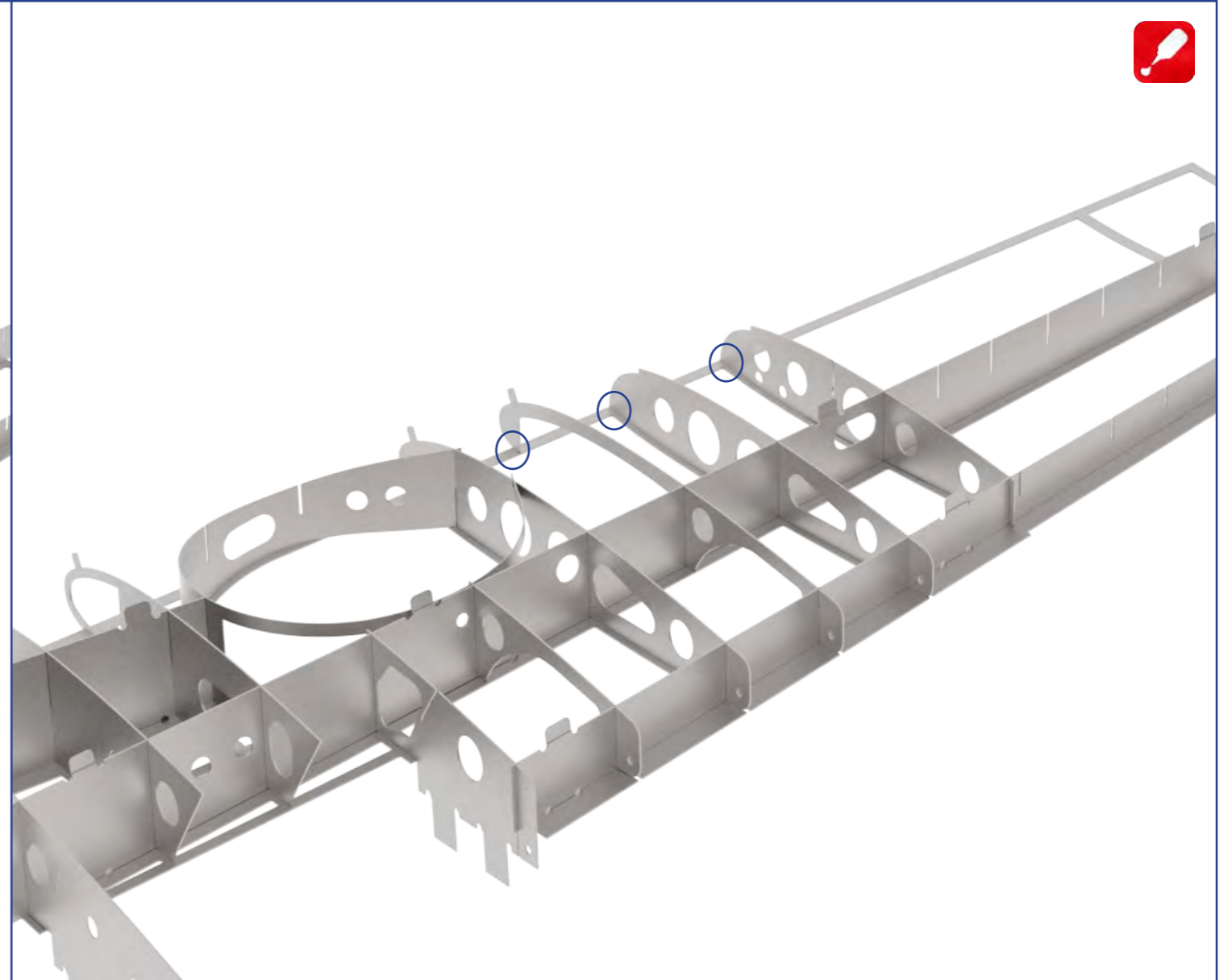
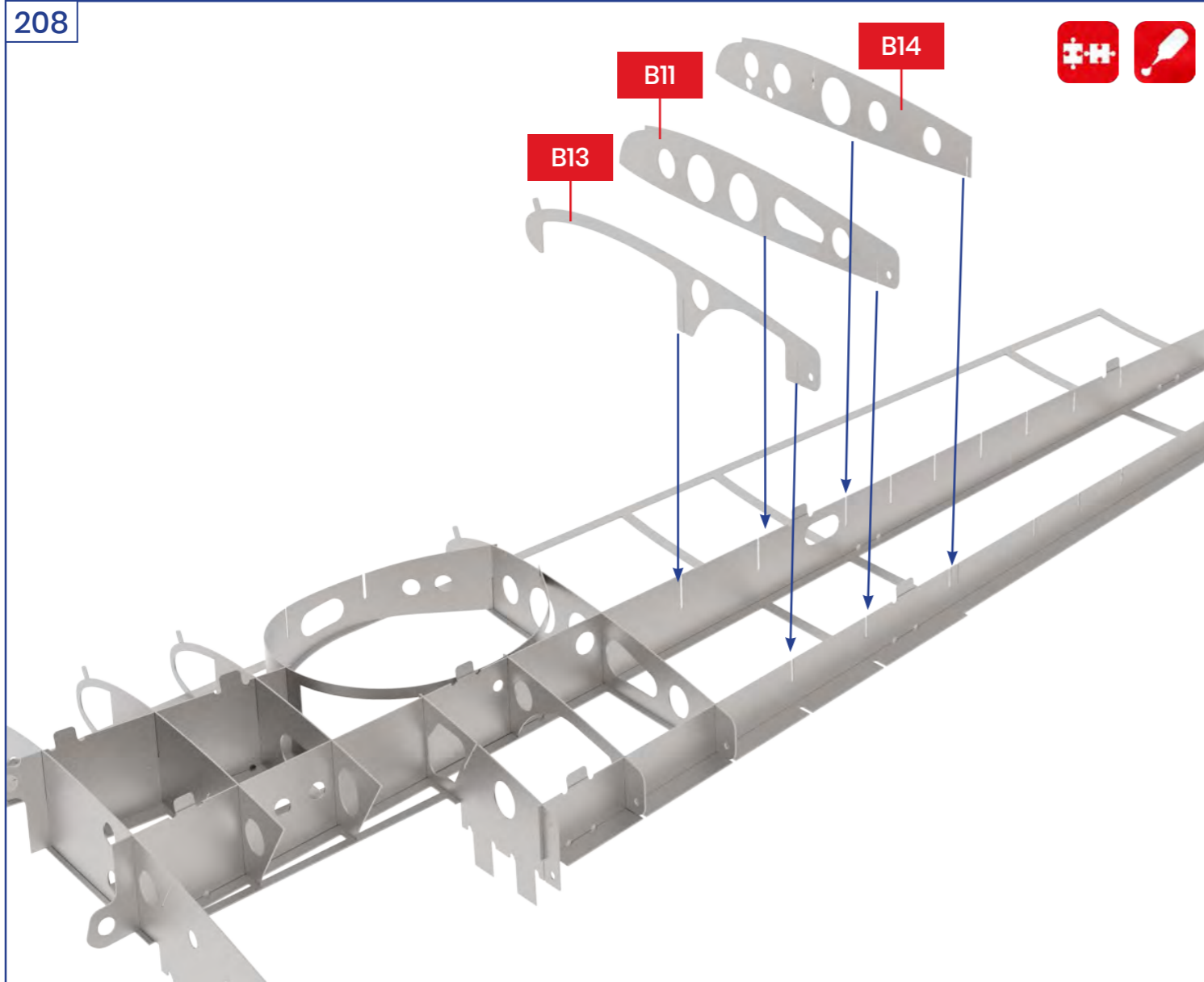
206



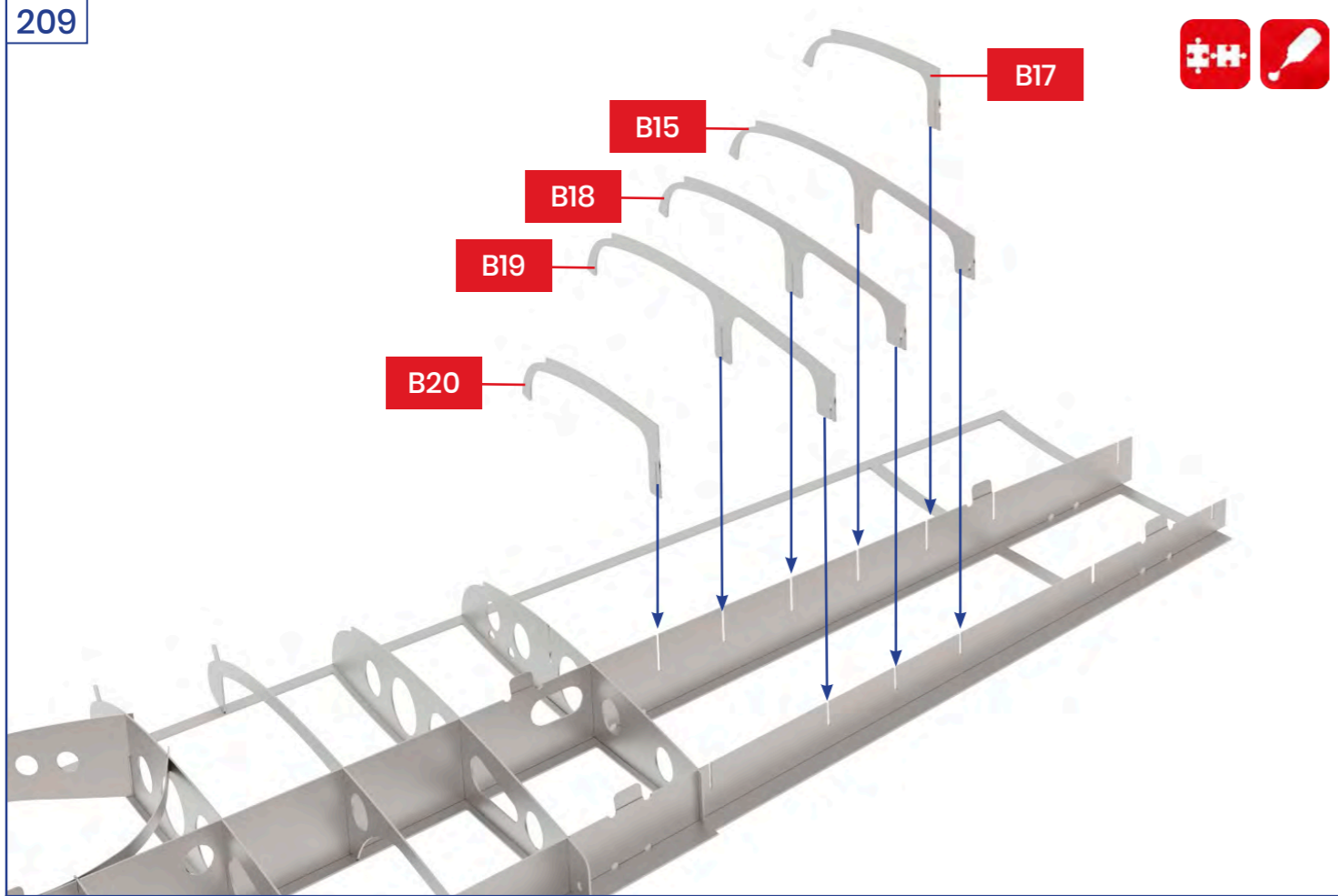
207



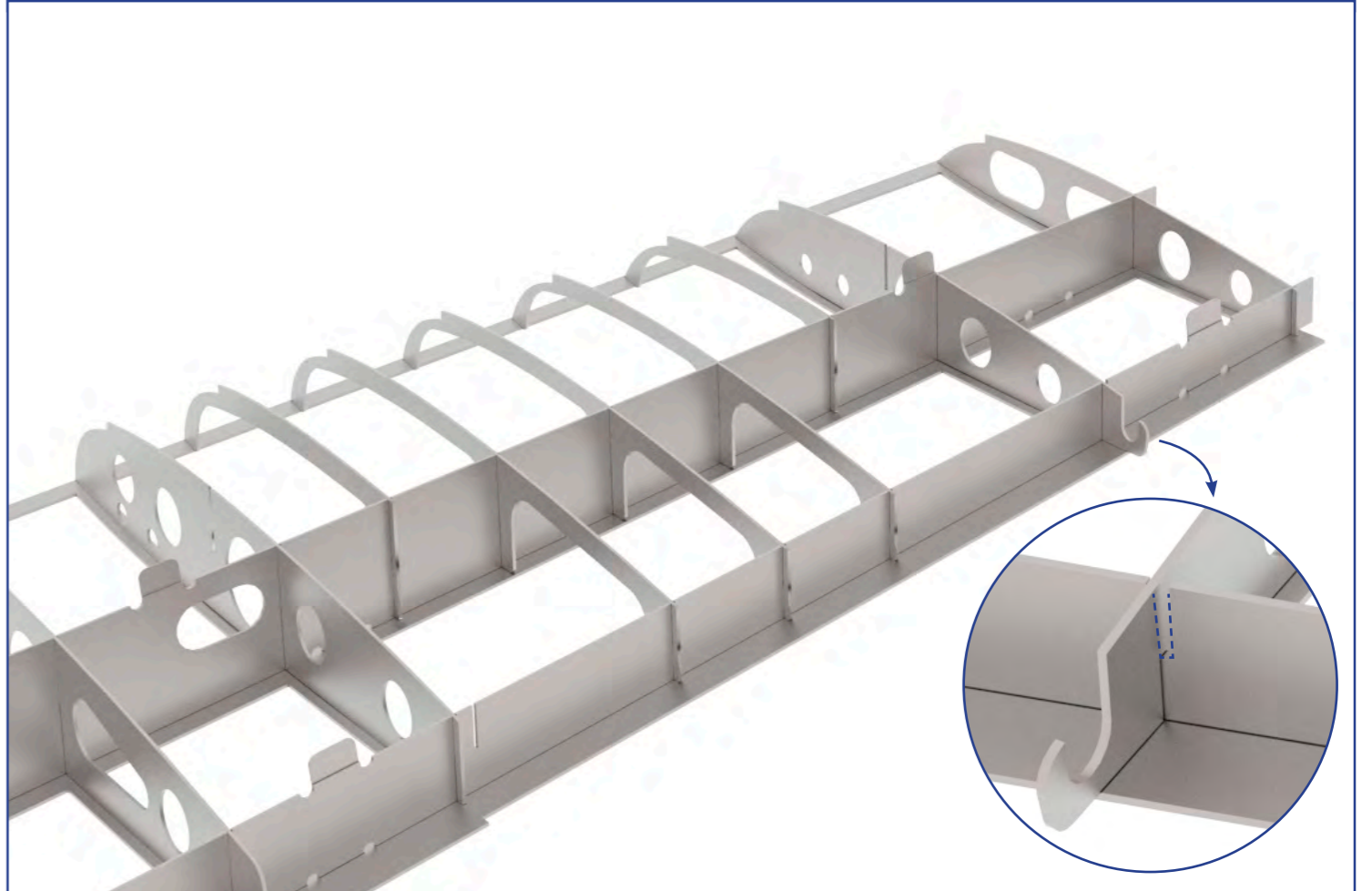
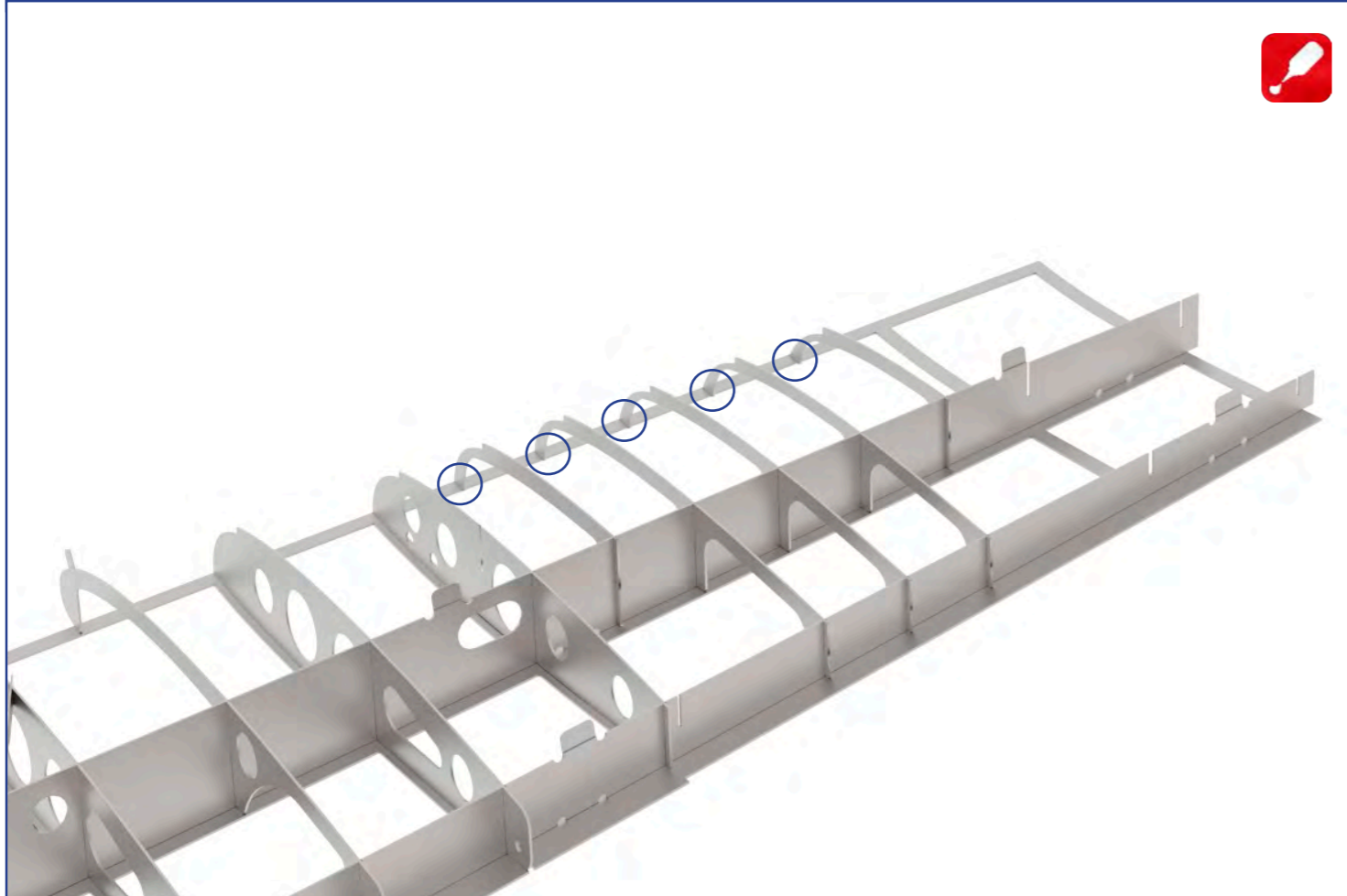
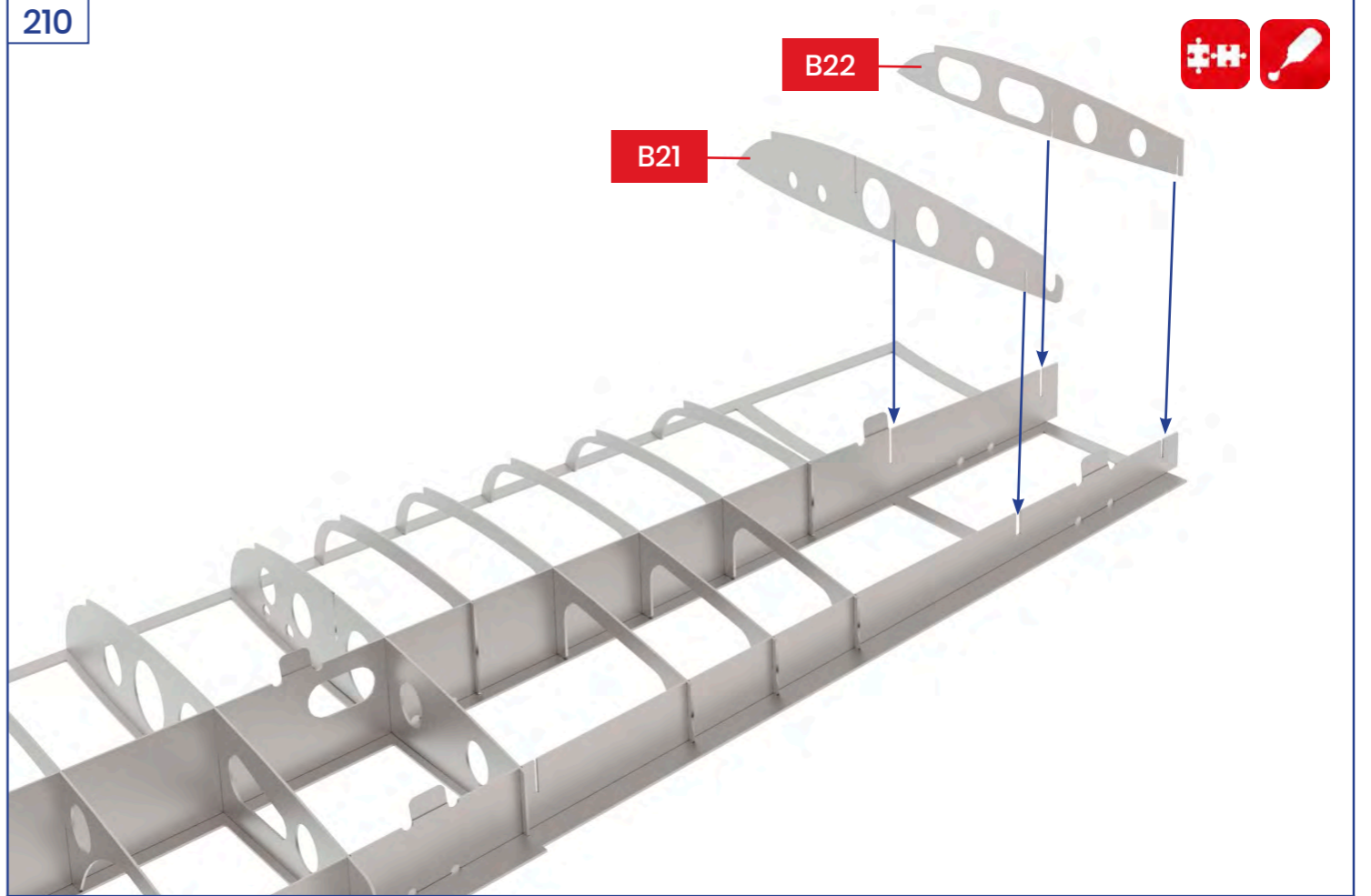
208



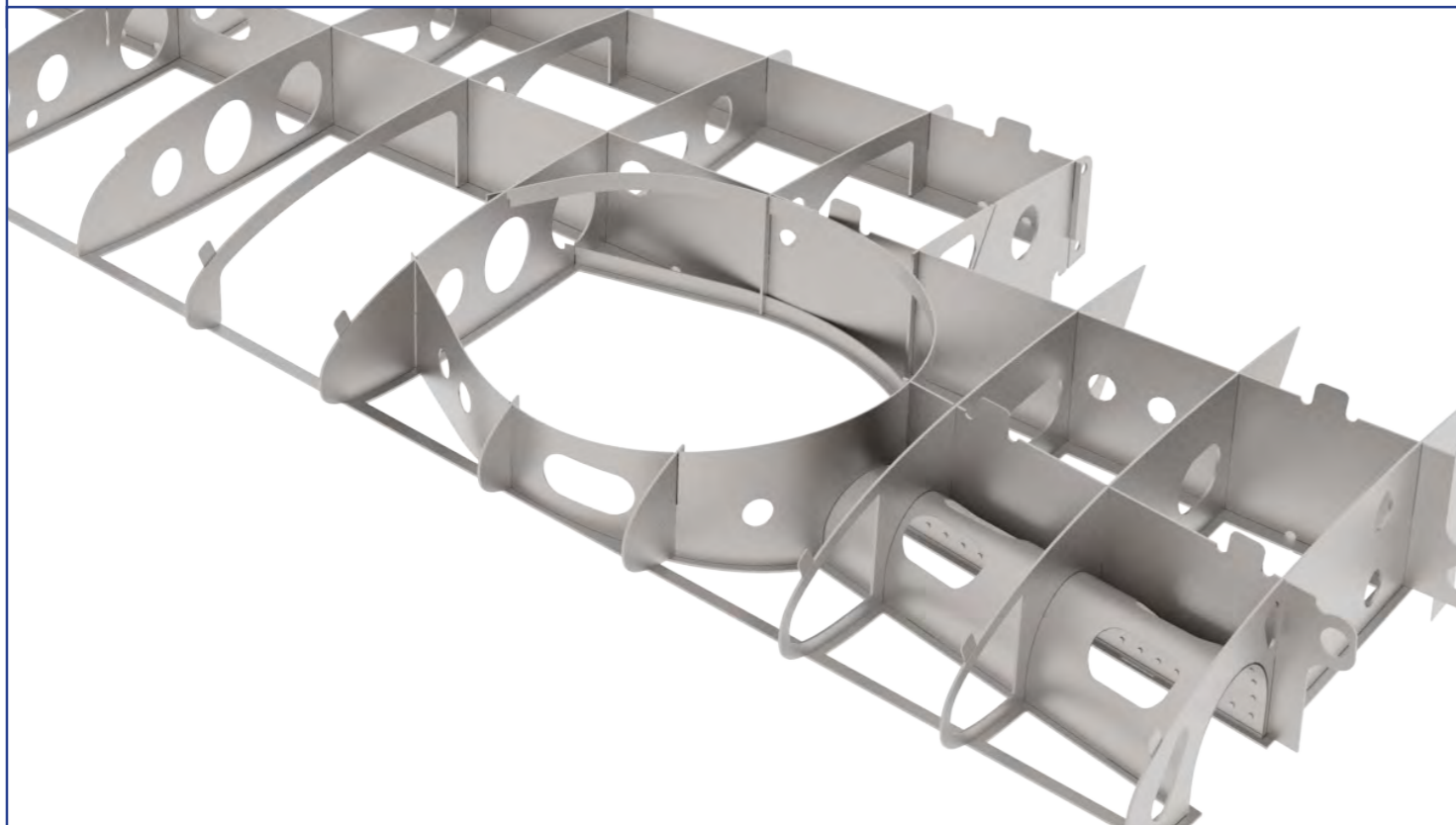
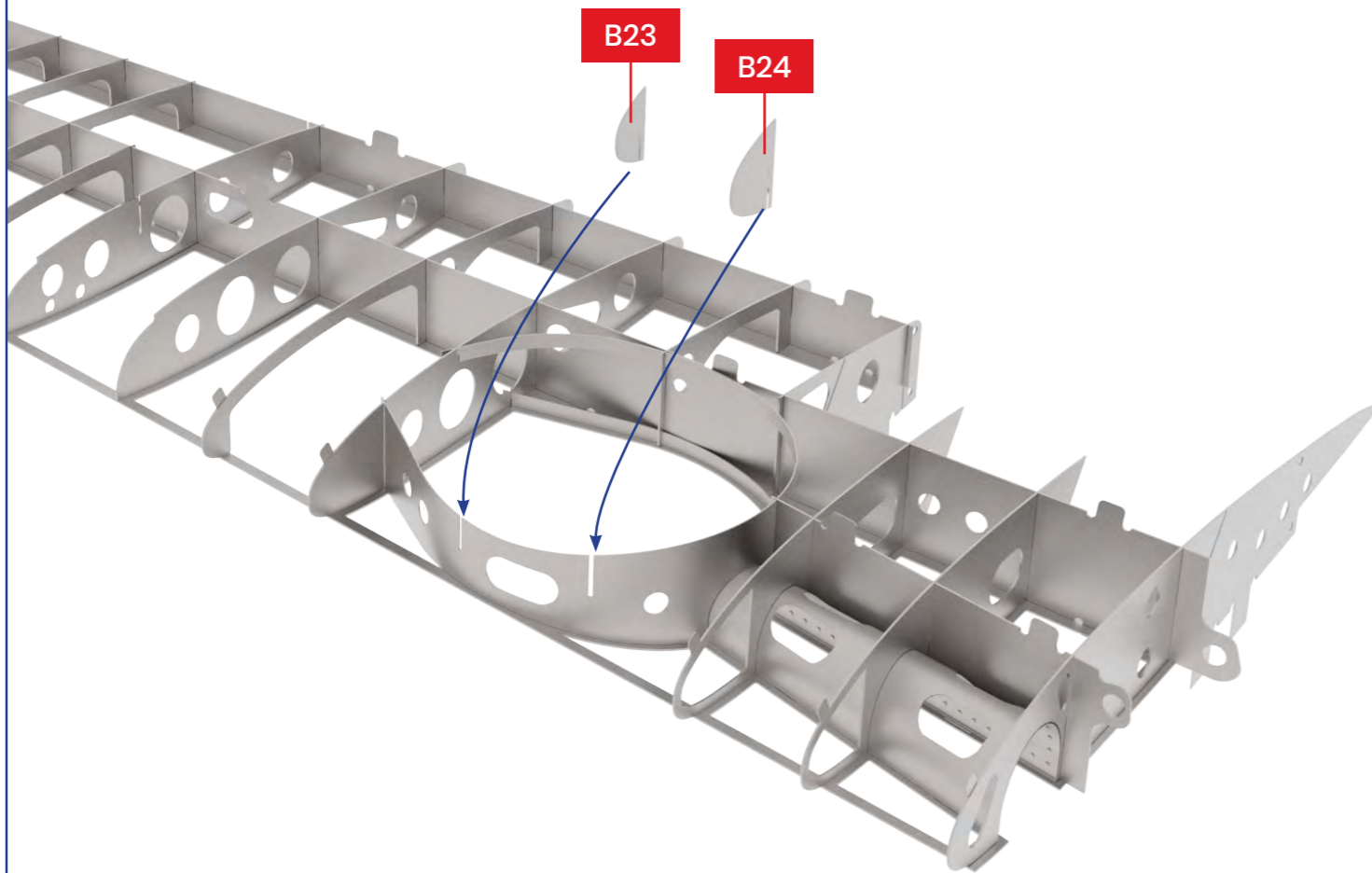
209



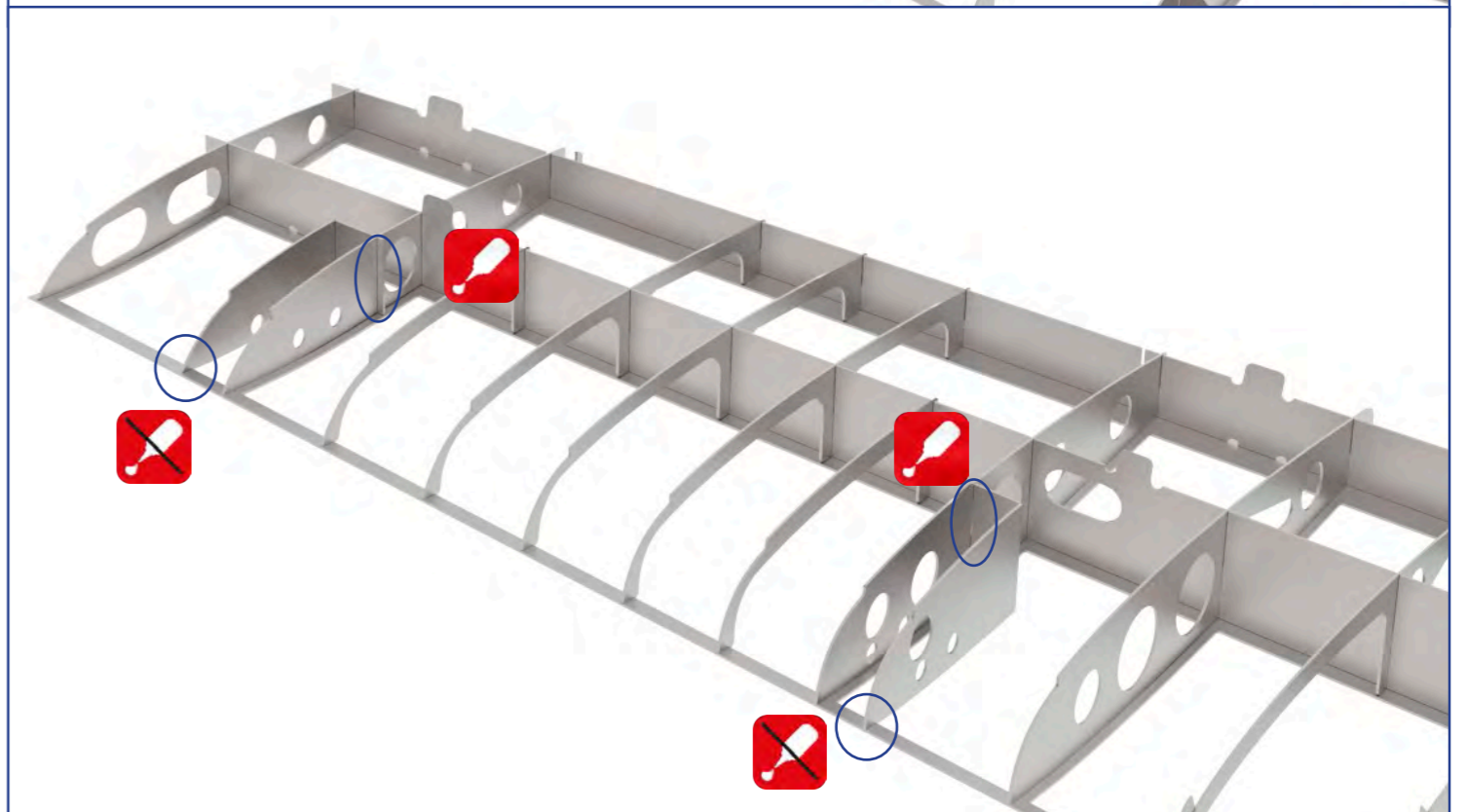
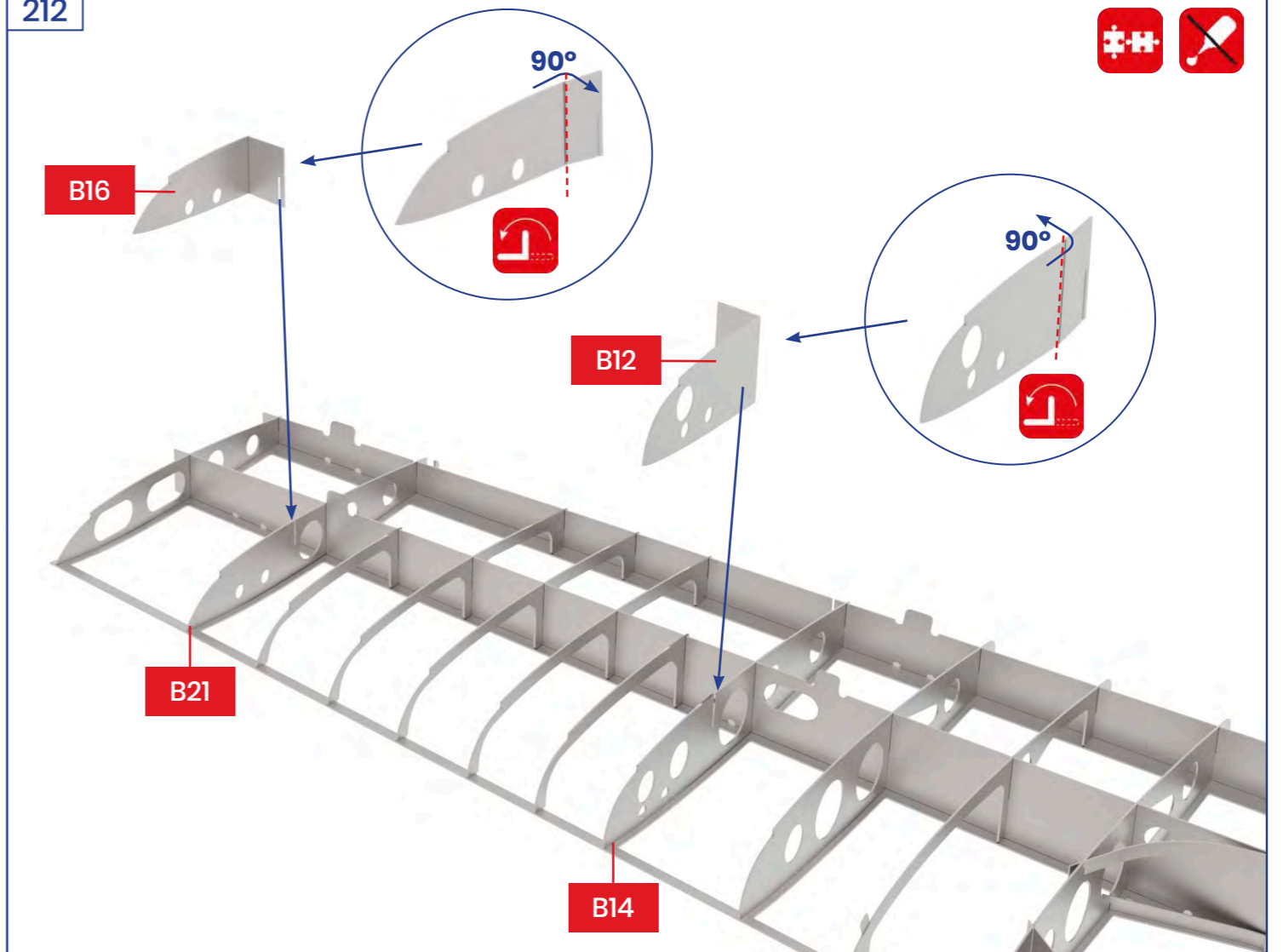
210



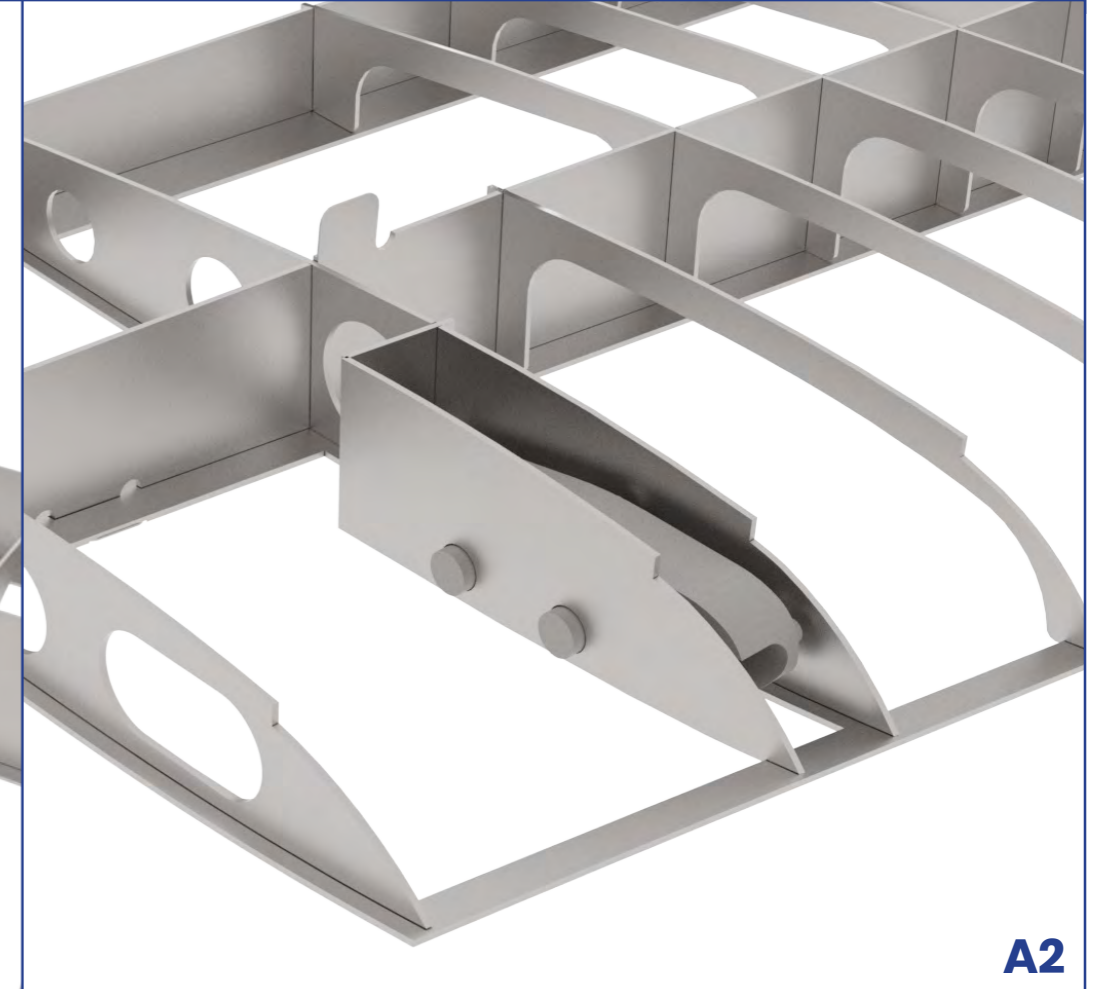
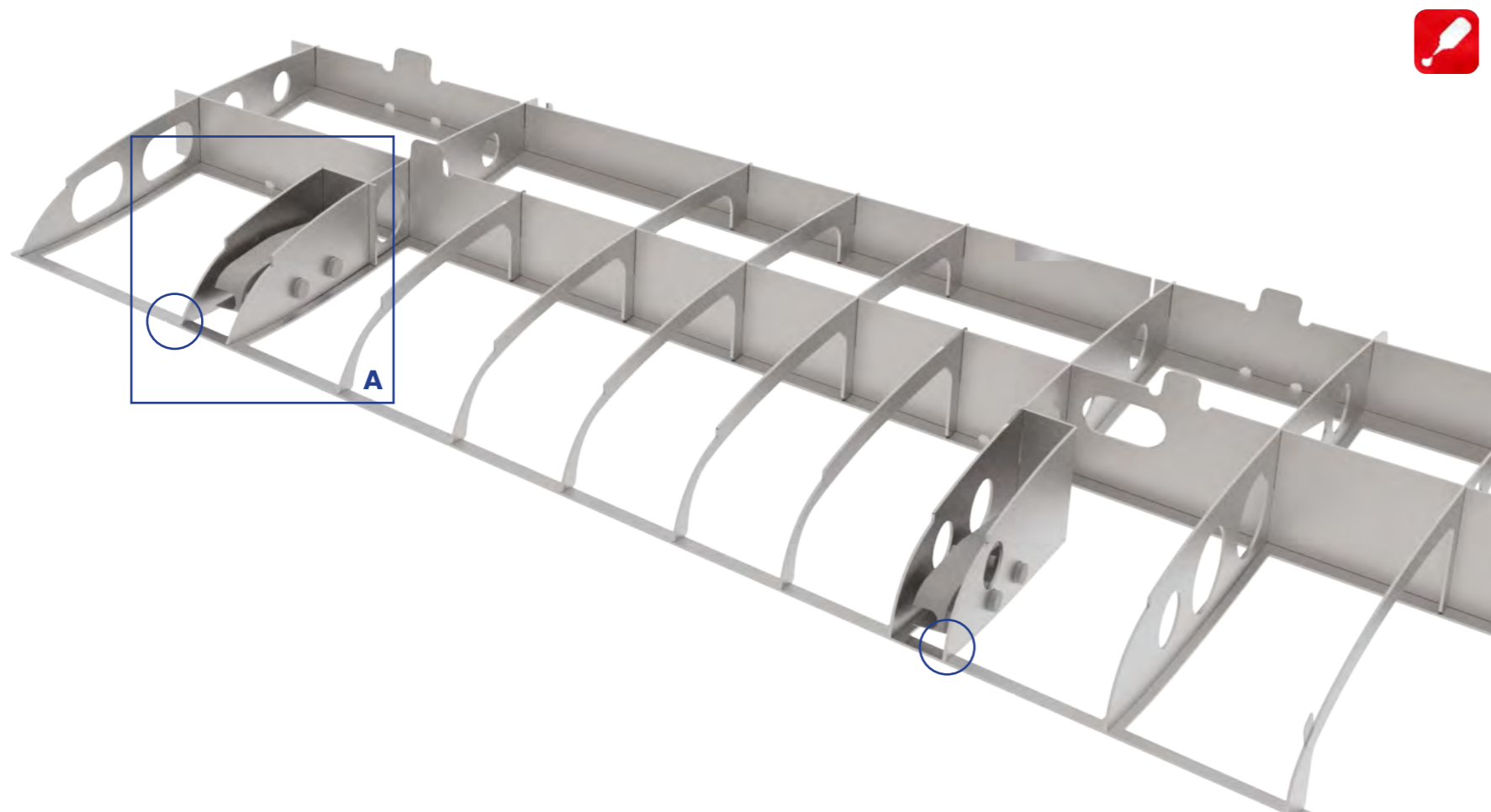
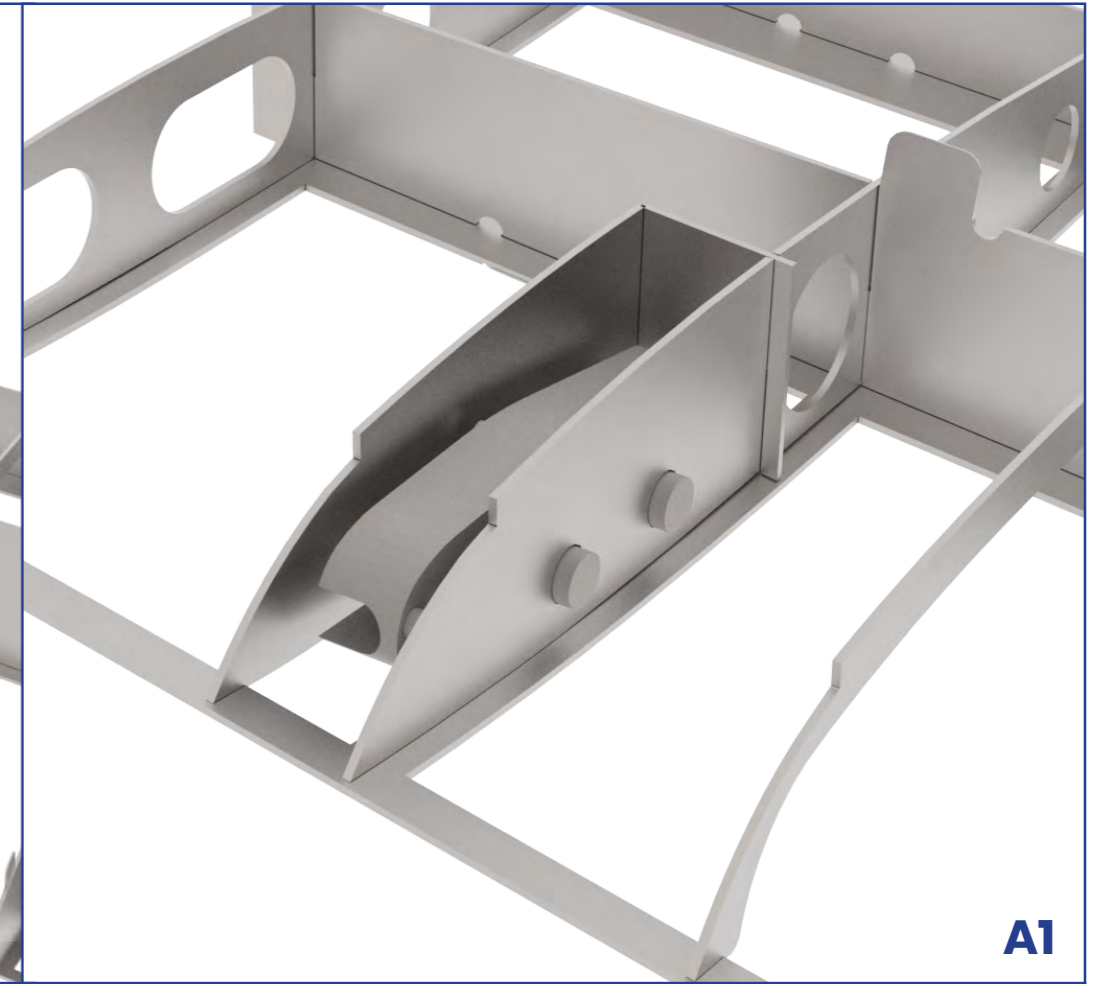
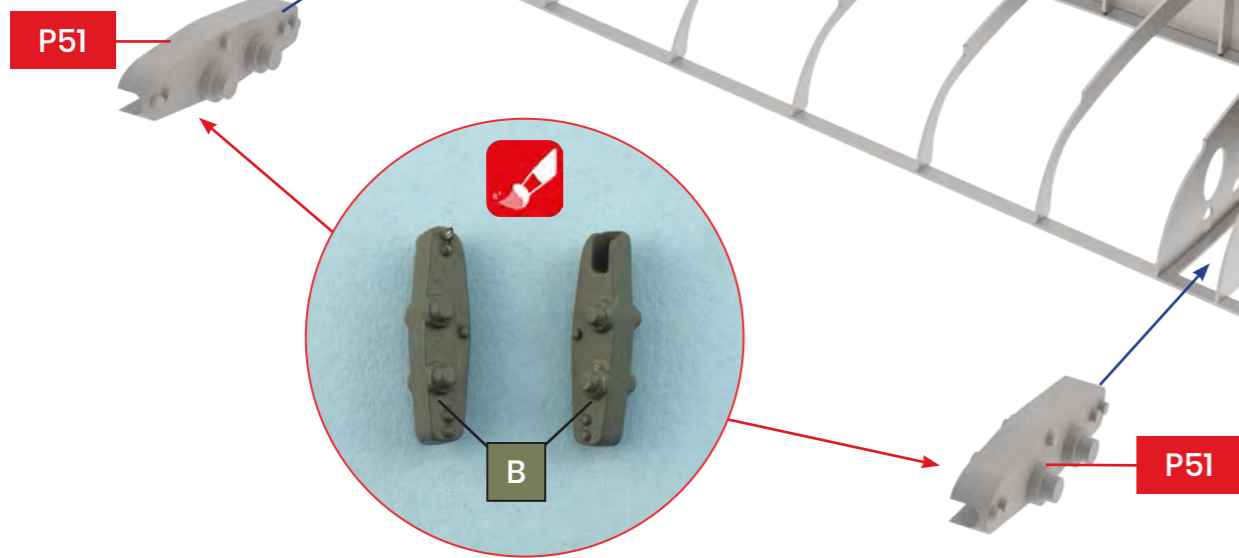
211



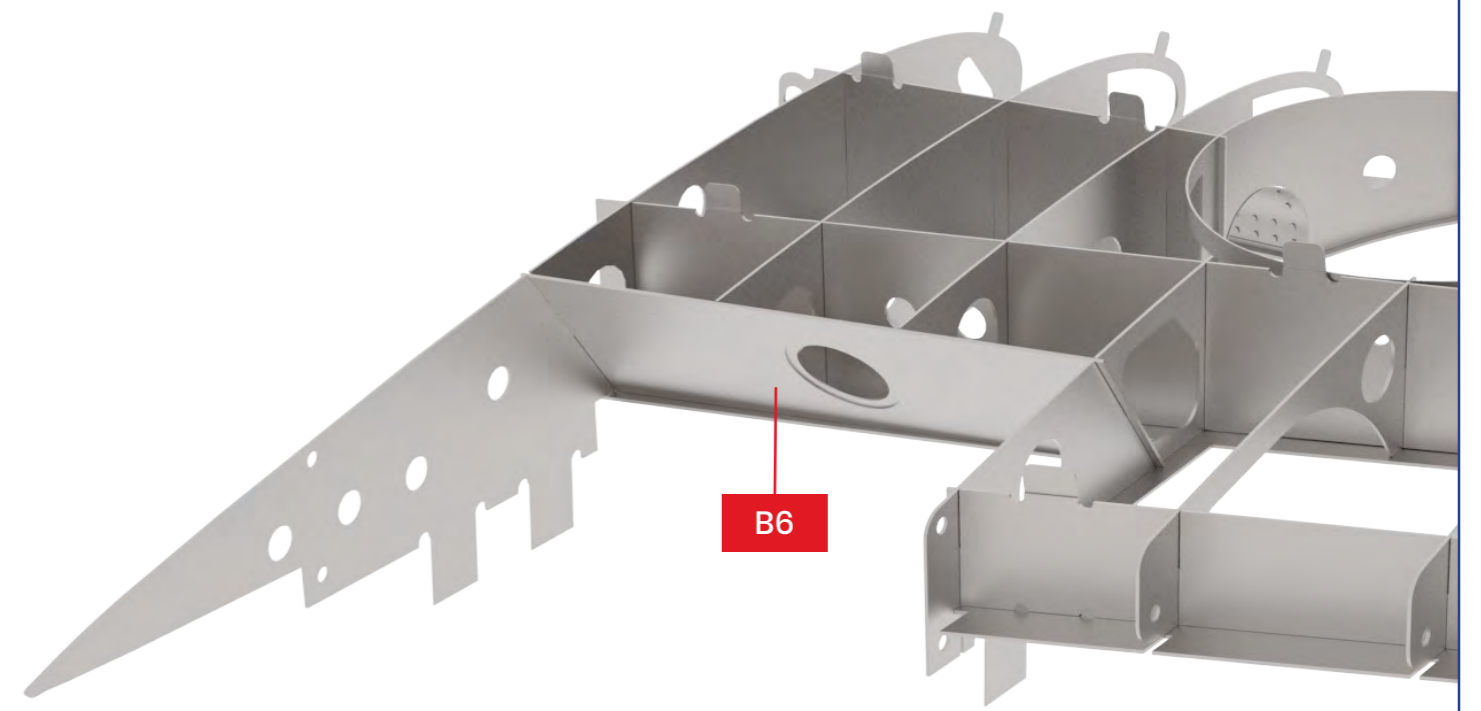
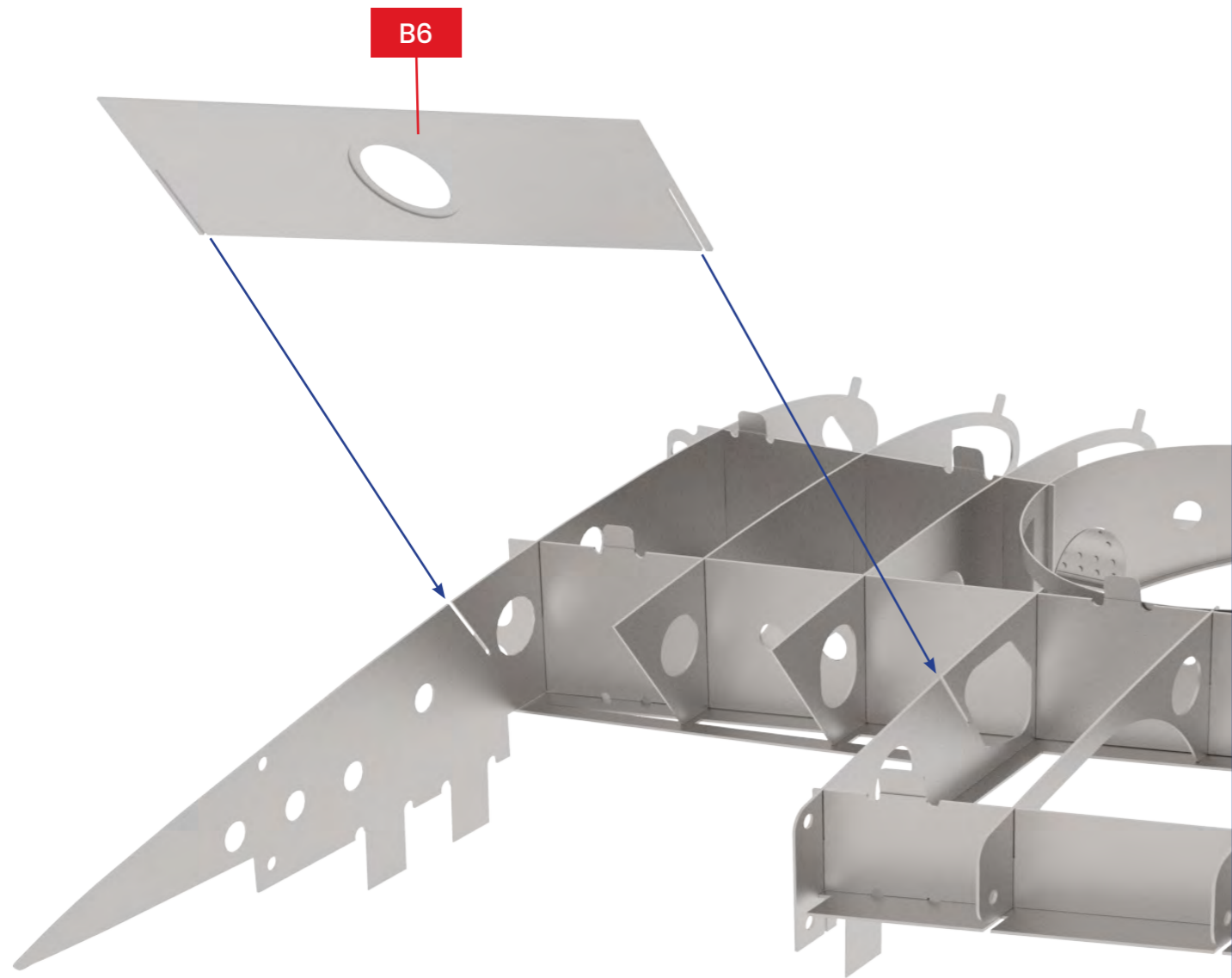
212



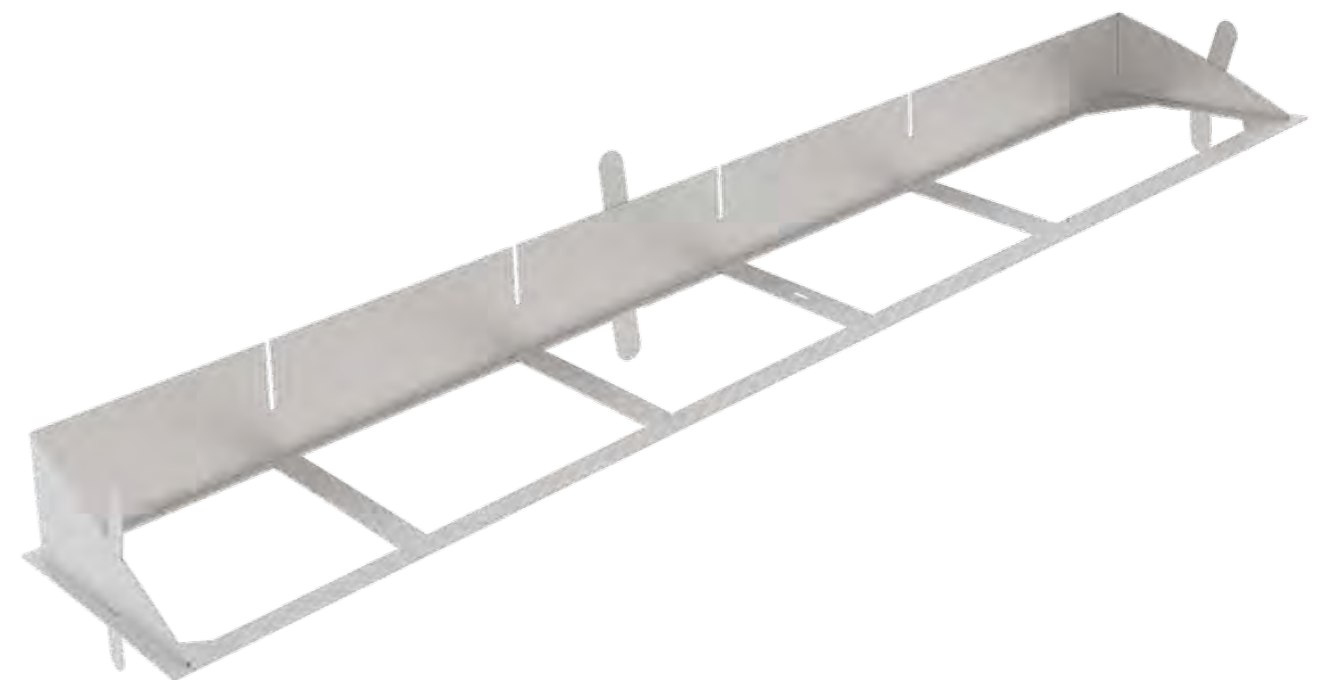
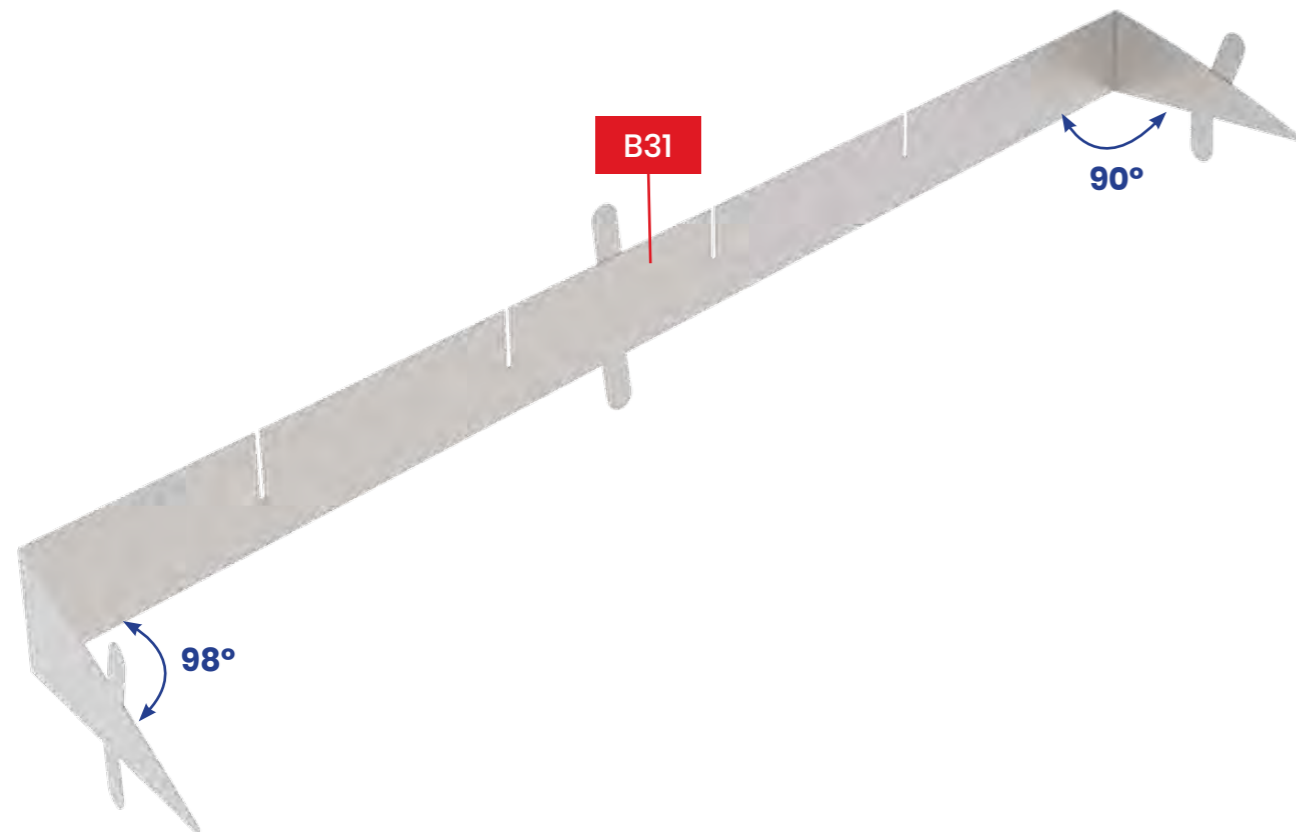
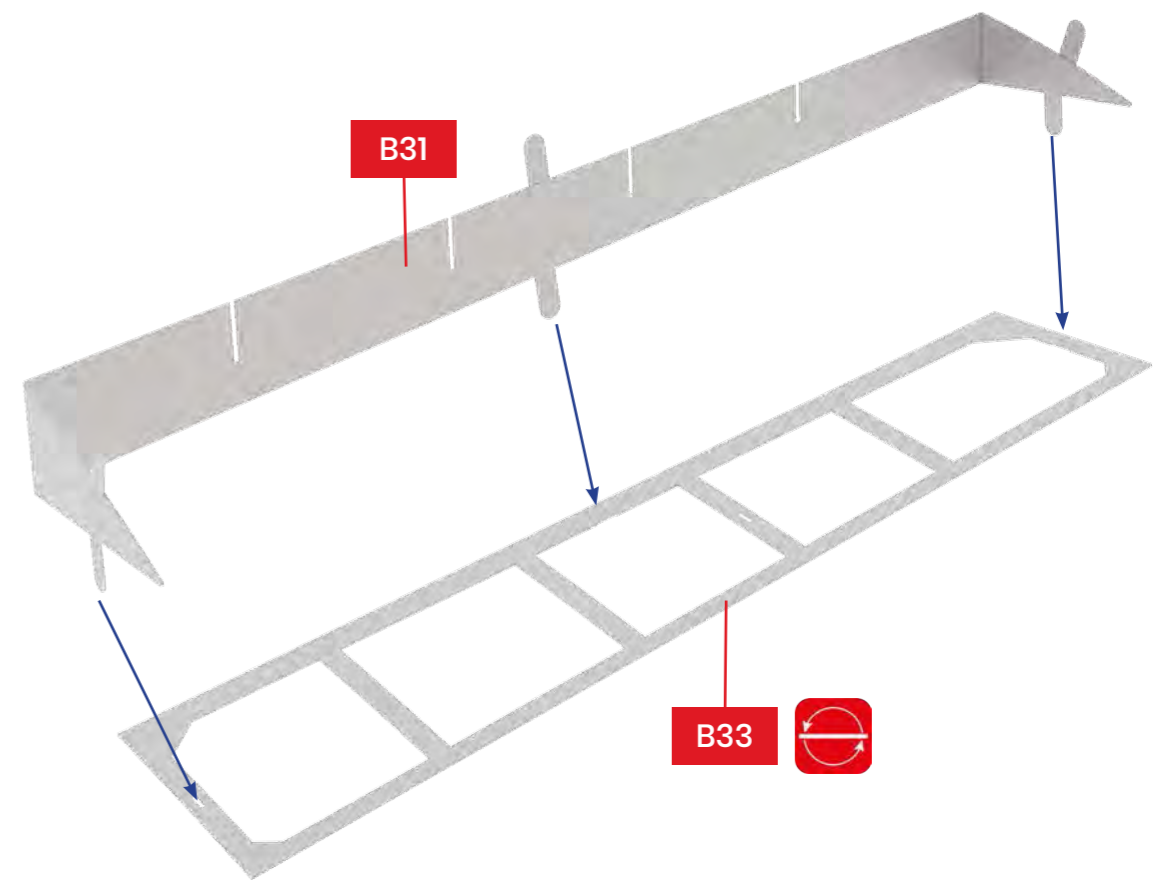
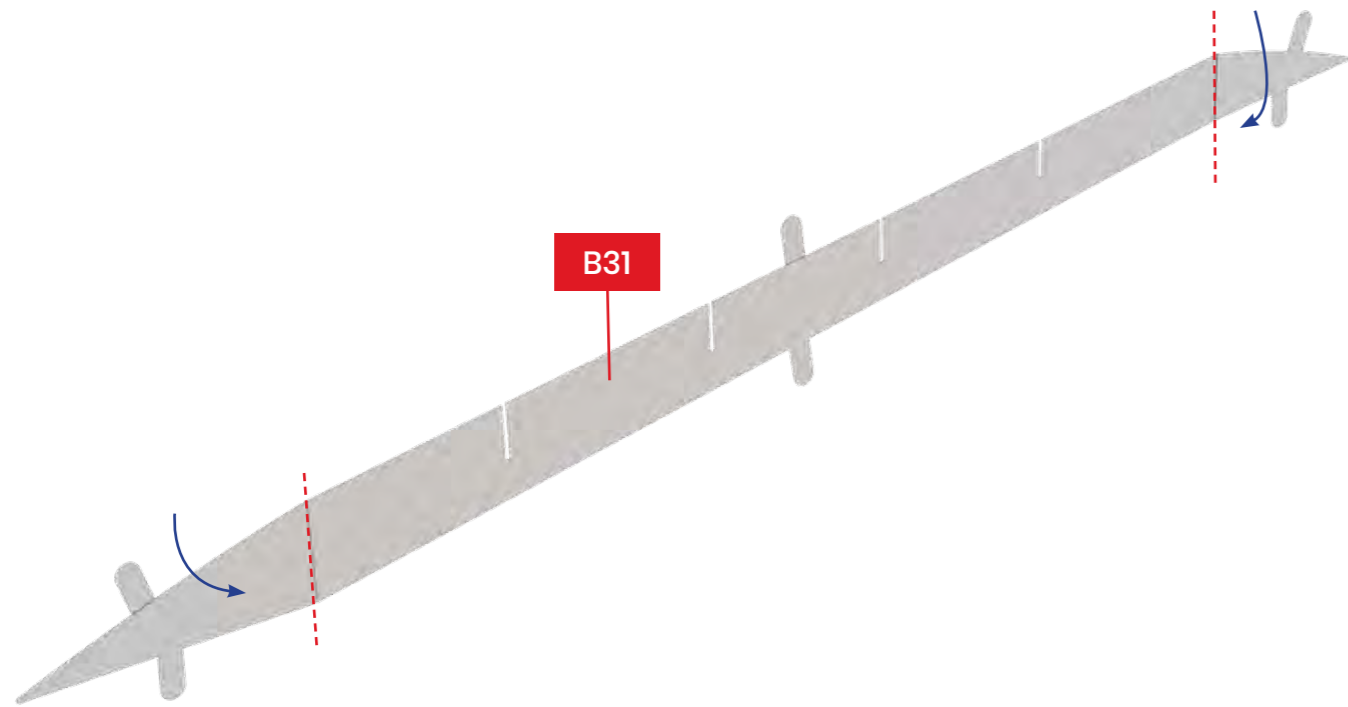
213



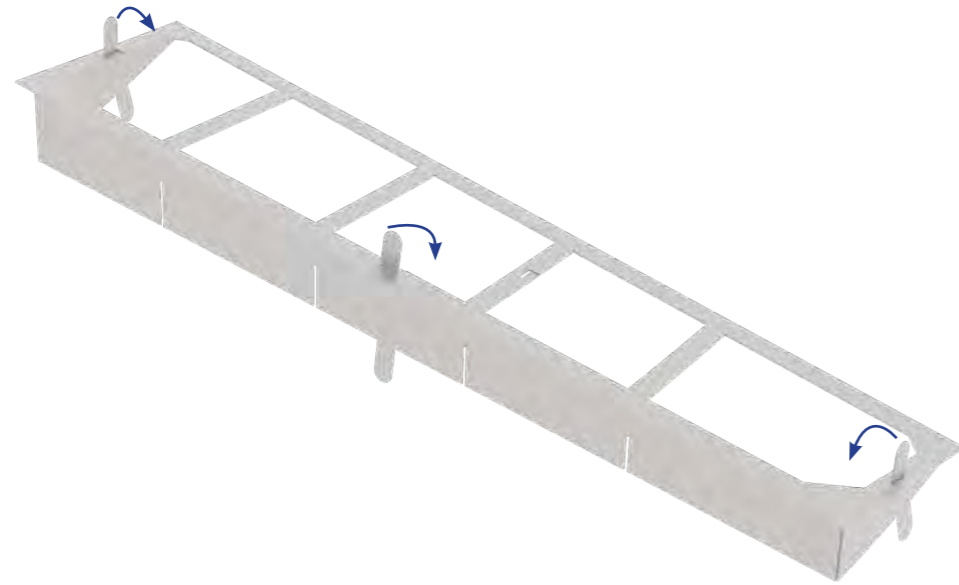
214



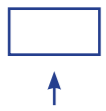
215



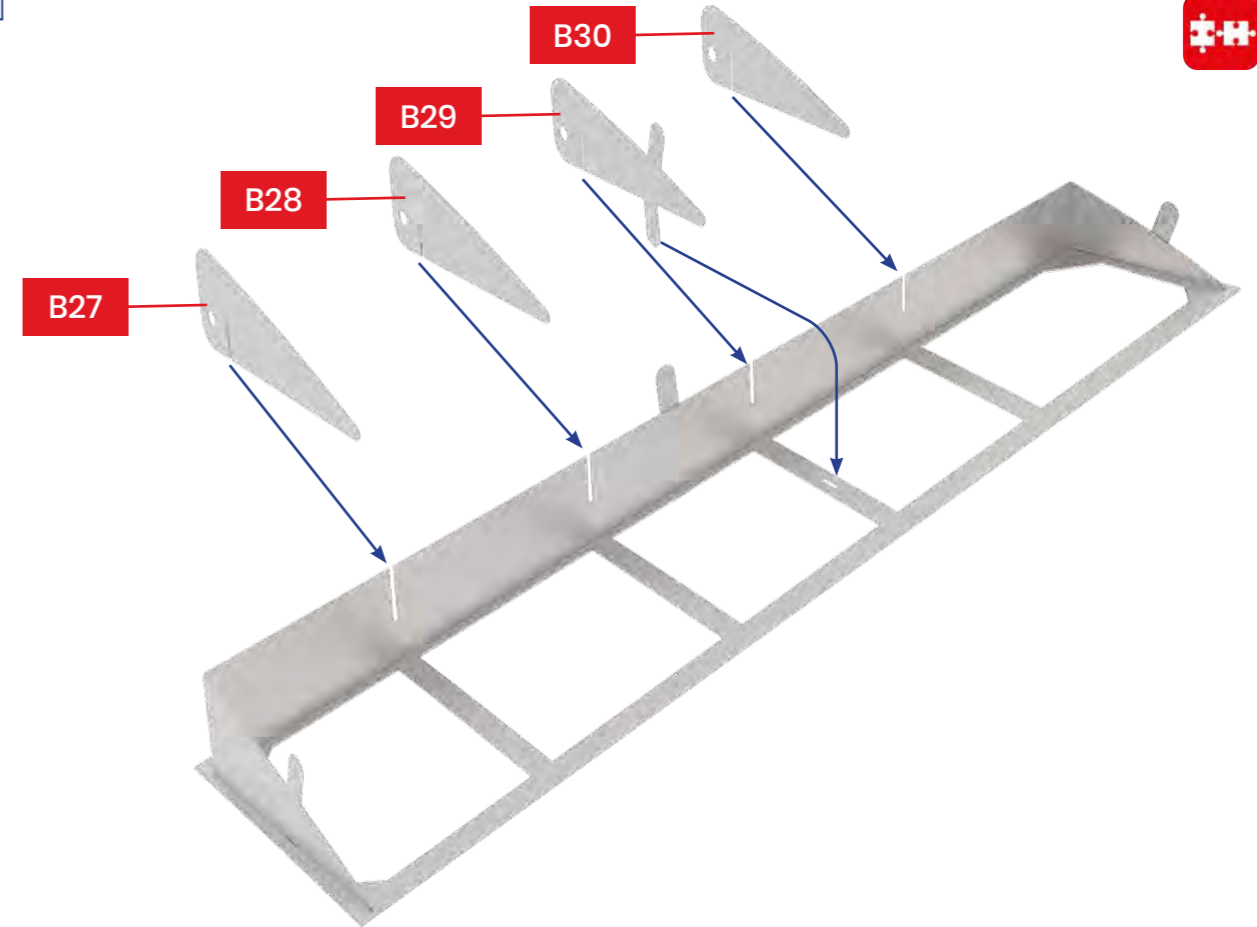
216



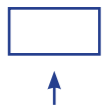
**BOTTOM
VIEW**



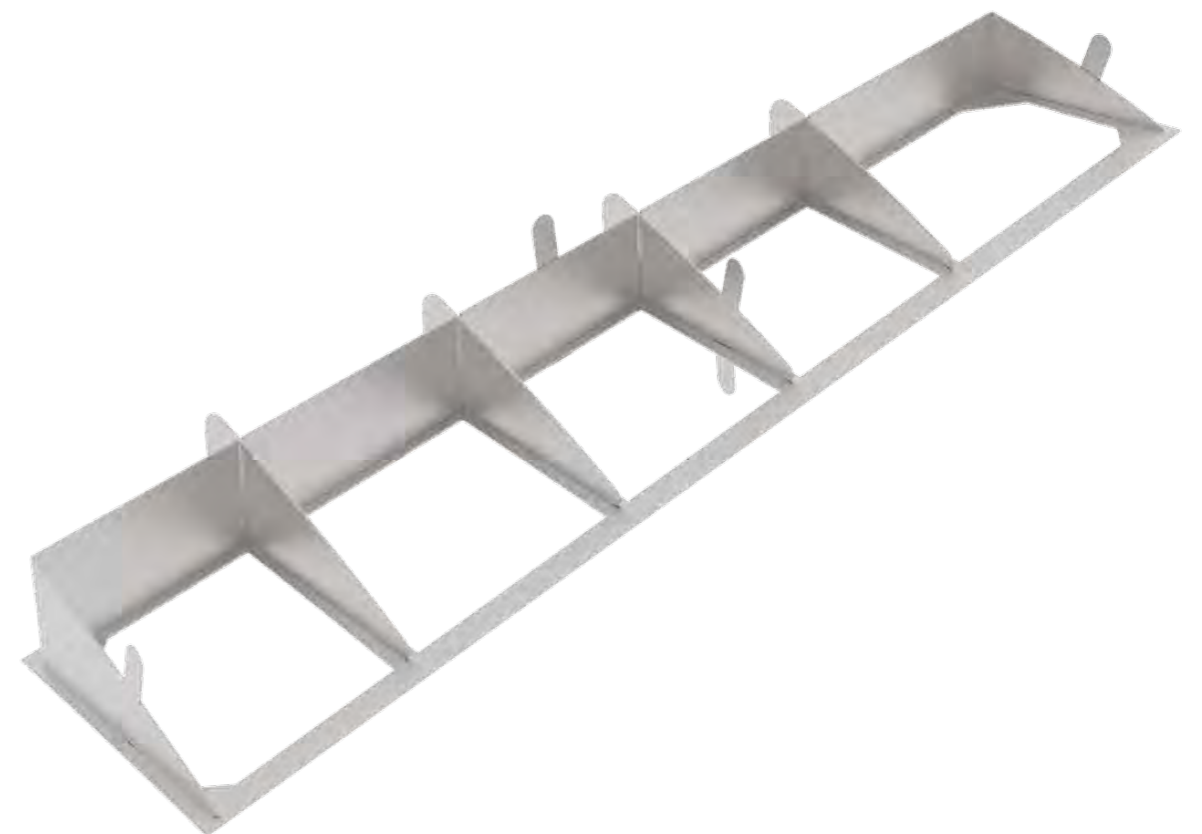
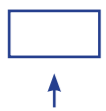
217



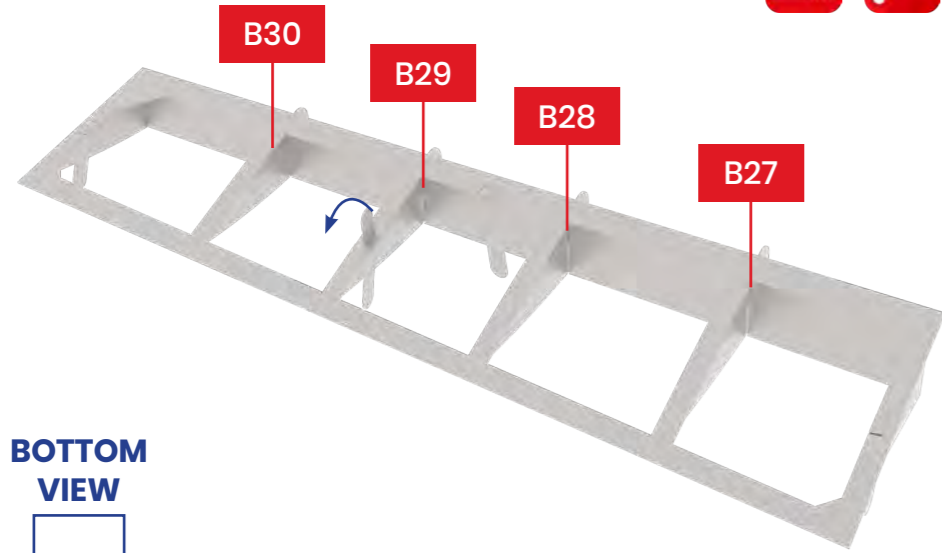
**BOTTOM
VIEW**



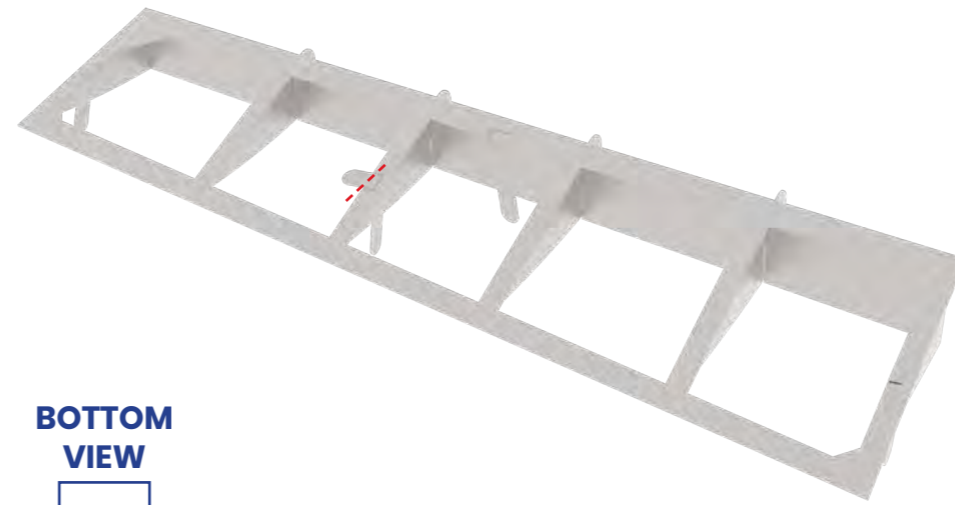
**BOTTOM
VIEW**



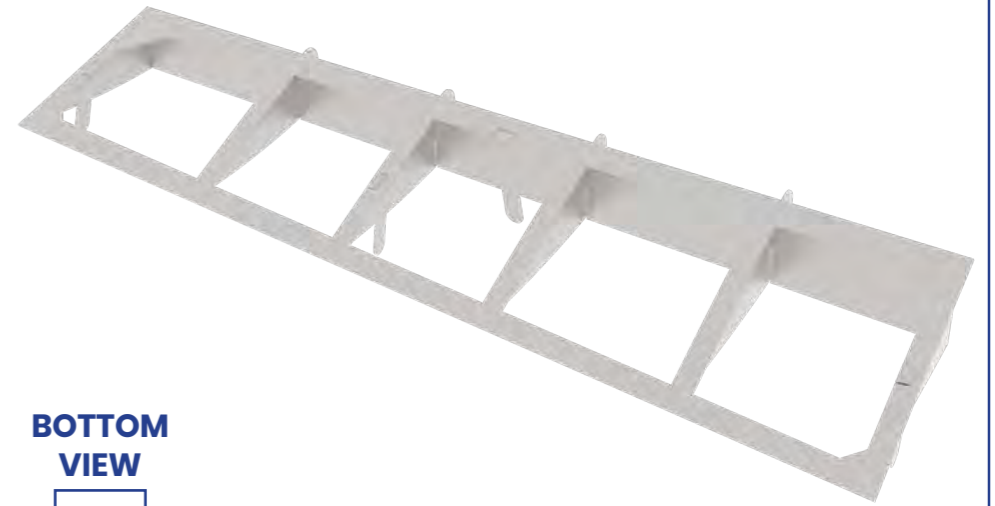
218



**BOTTOM
VIEW**



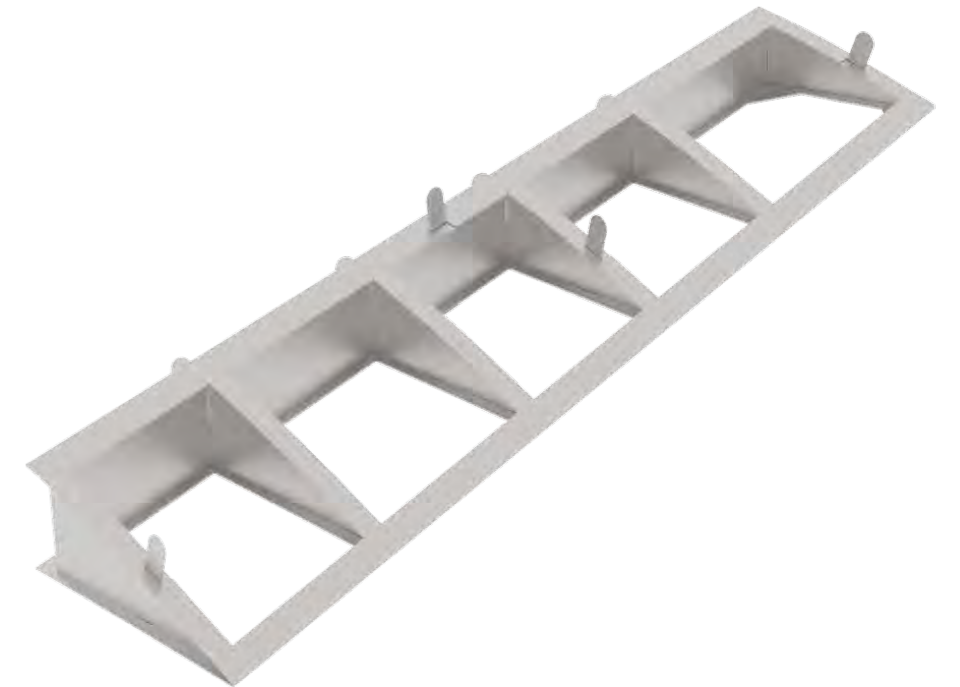
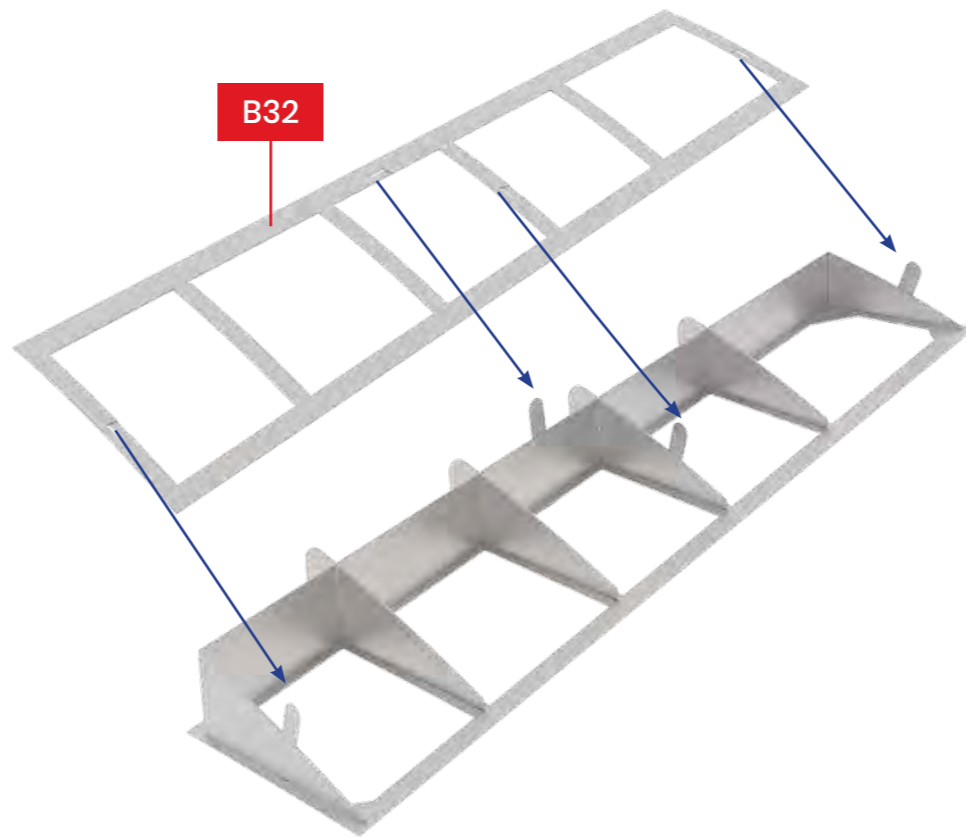
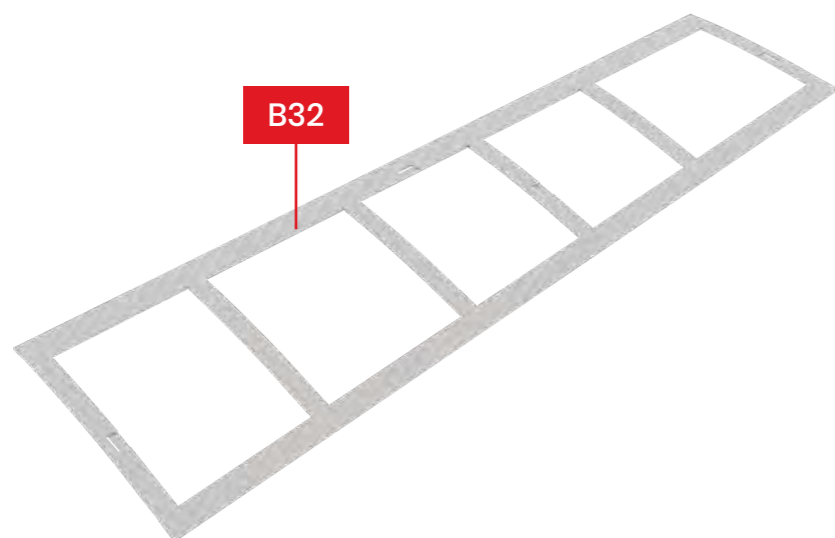
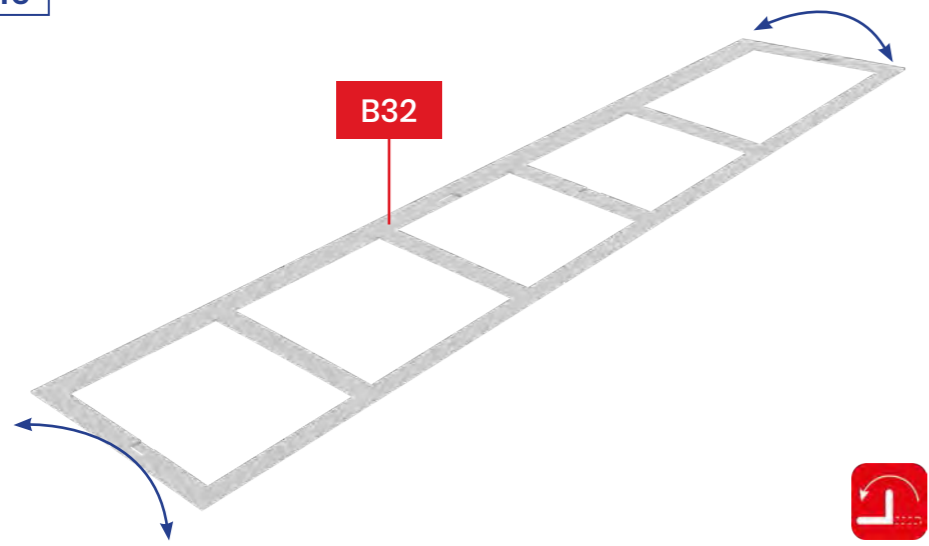
**BOTTOM
VIEW**



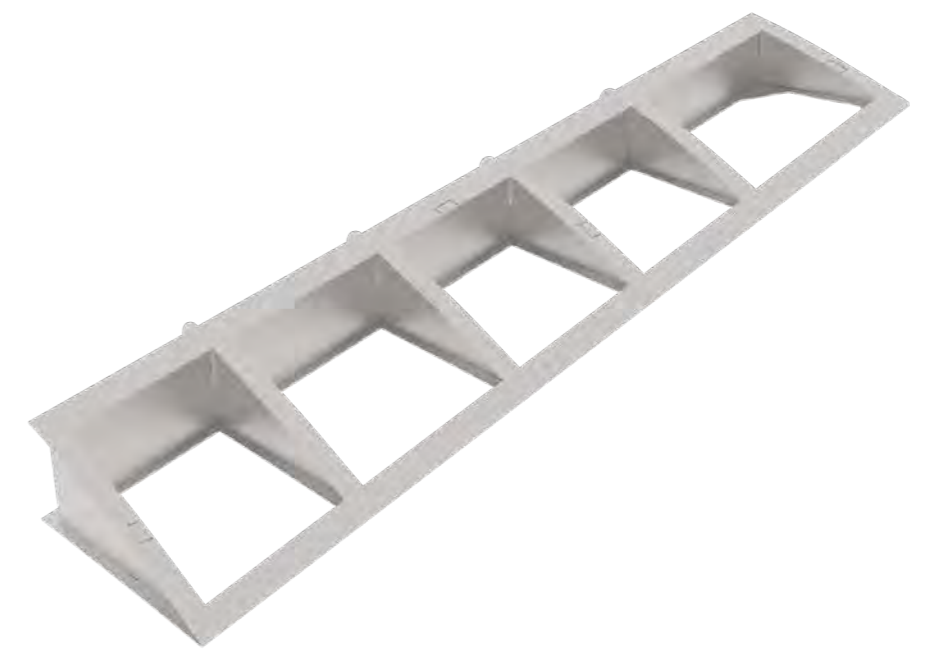
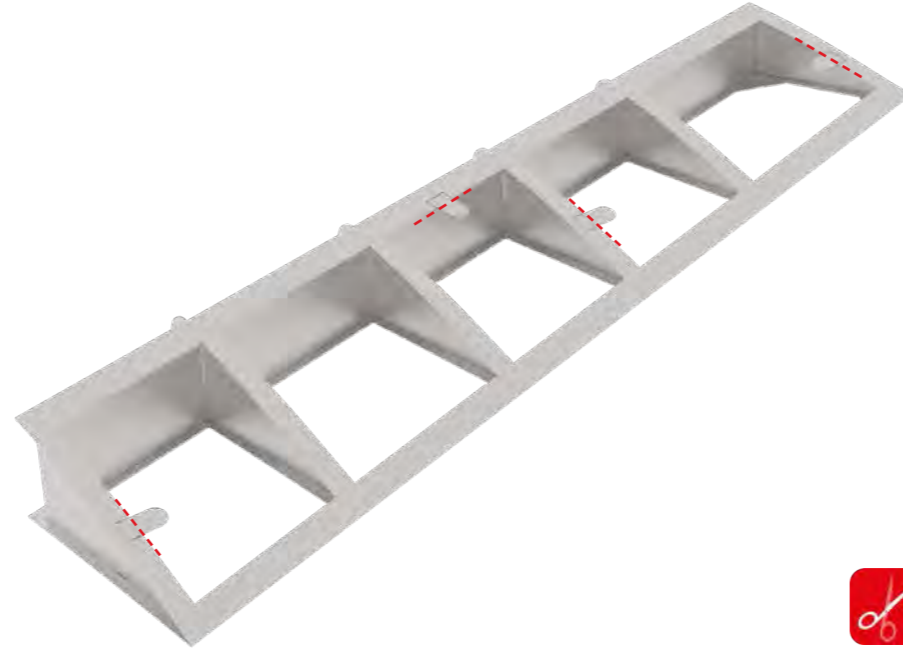
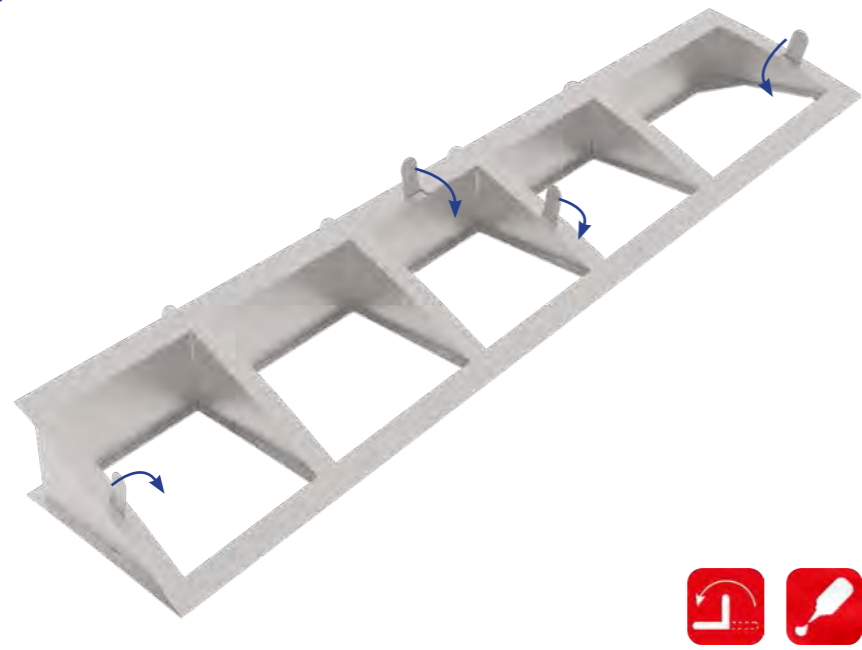
**BOTTOM
VIEW**



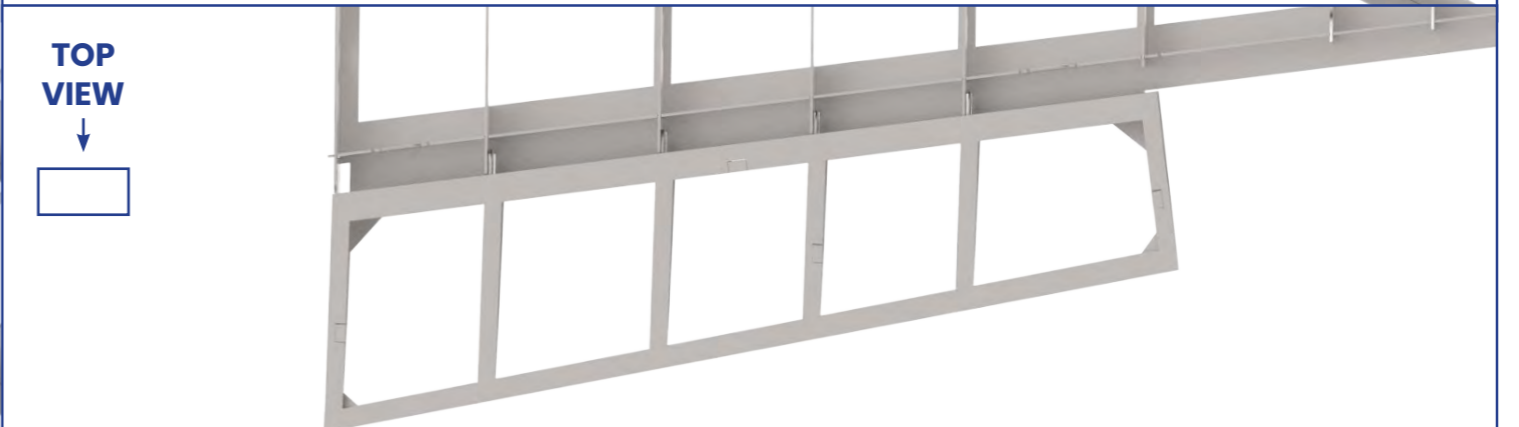
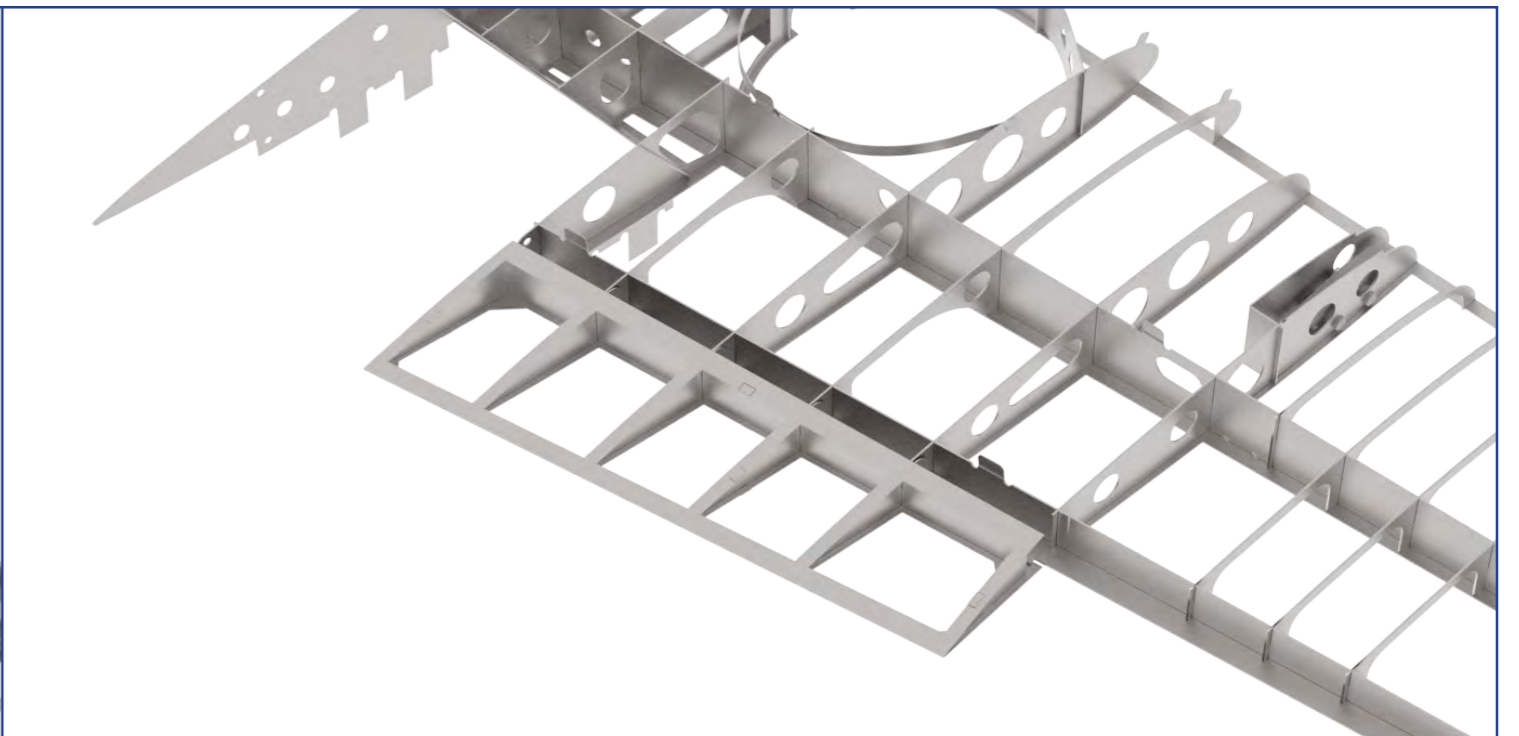
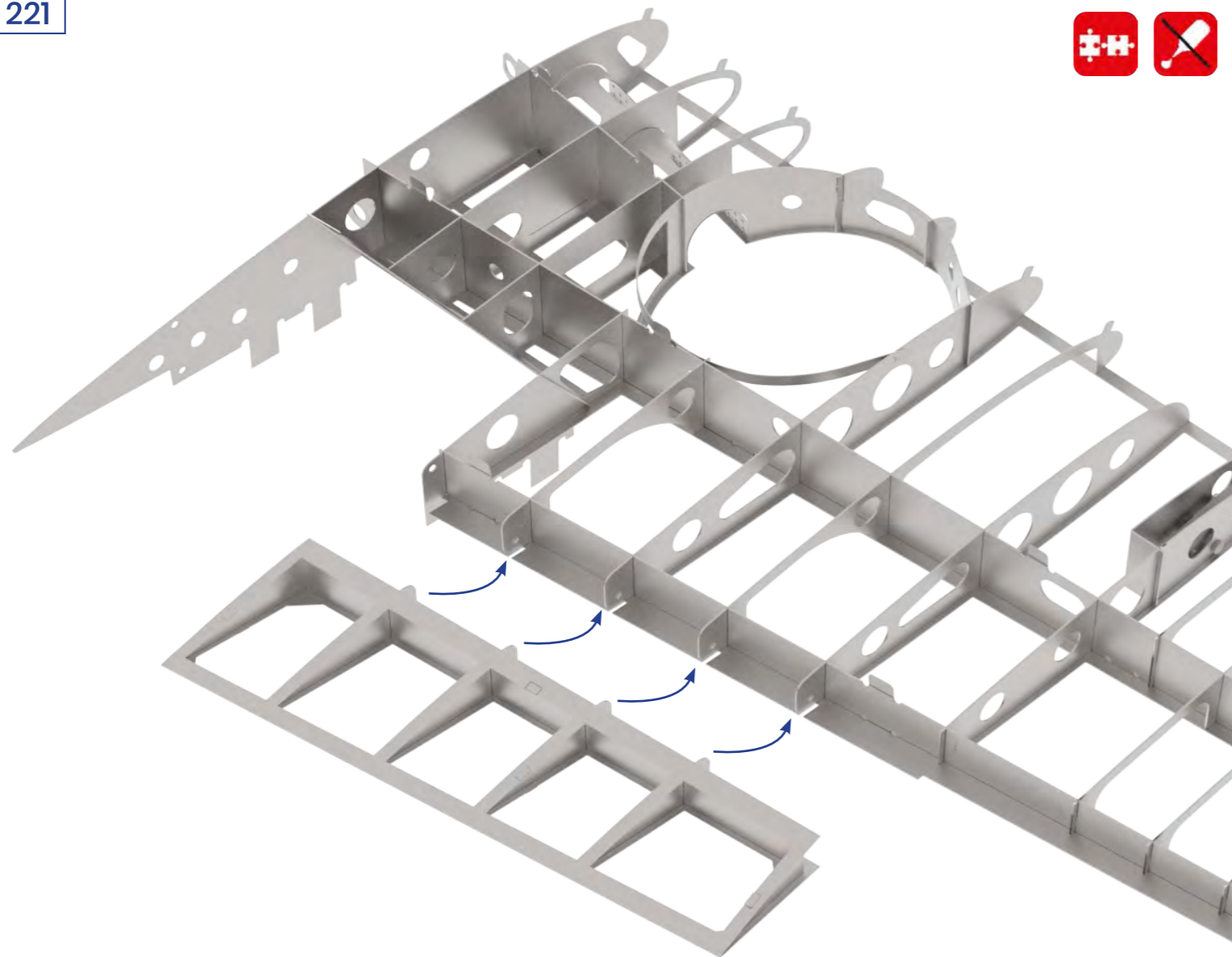
219



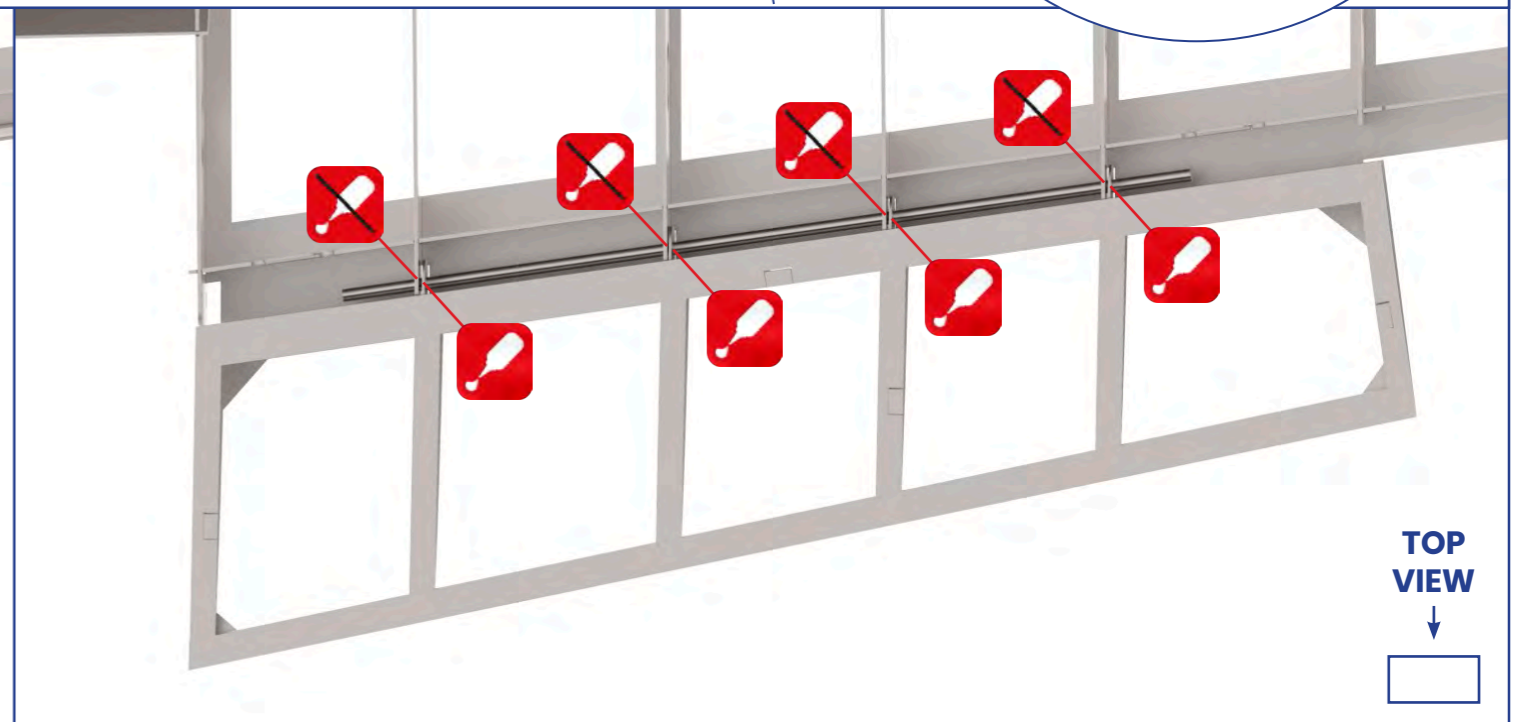
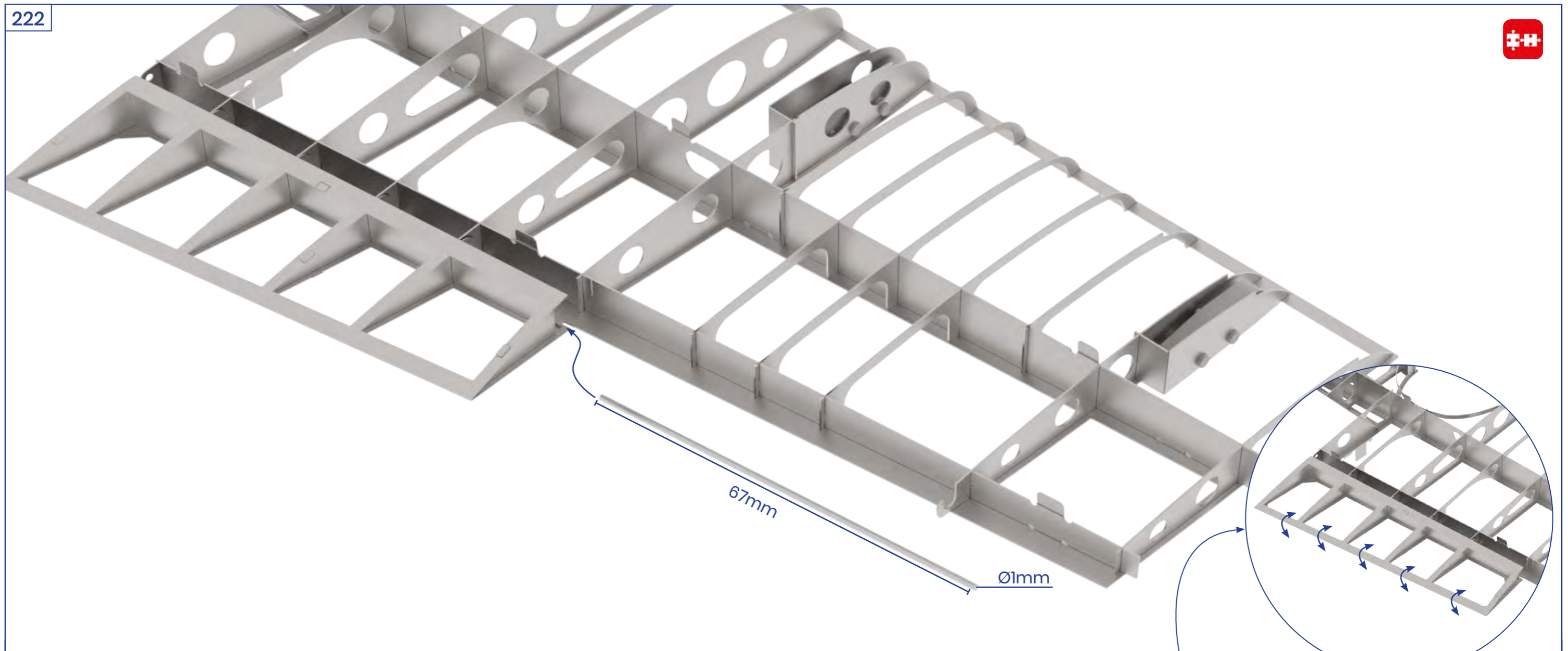
220



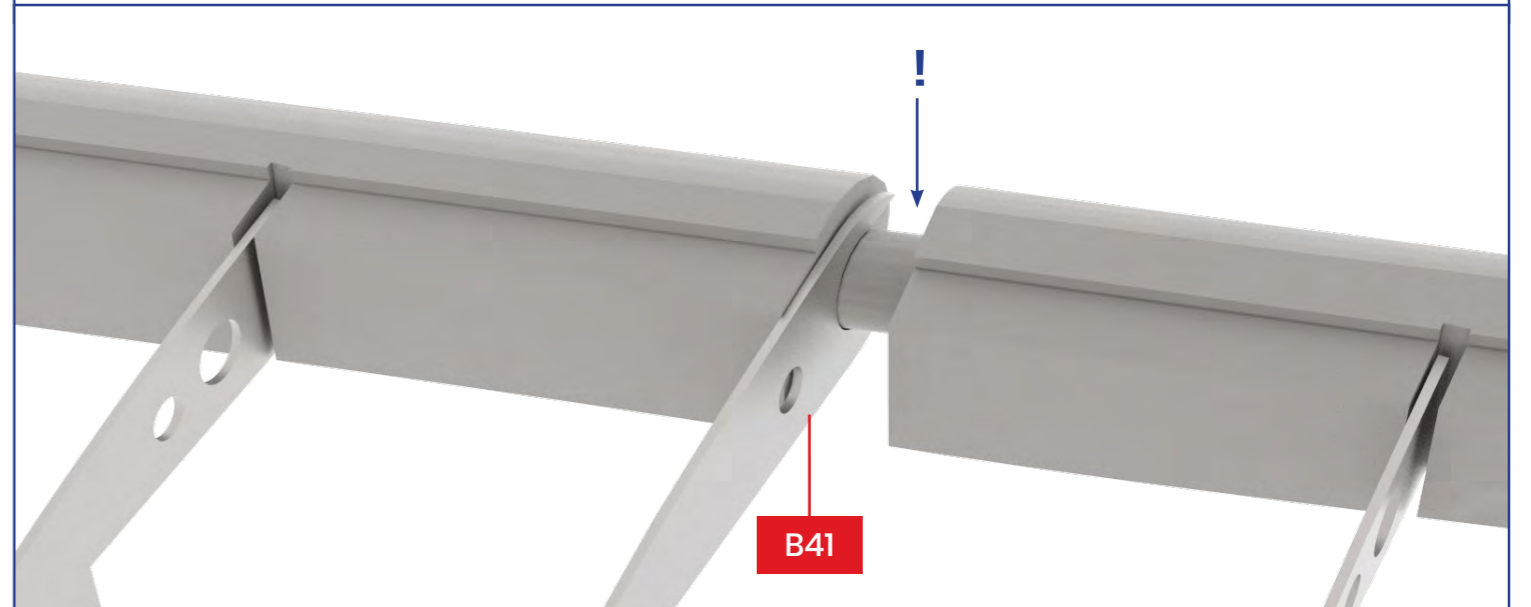
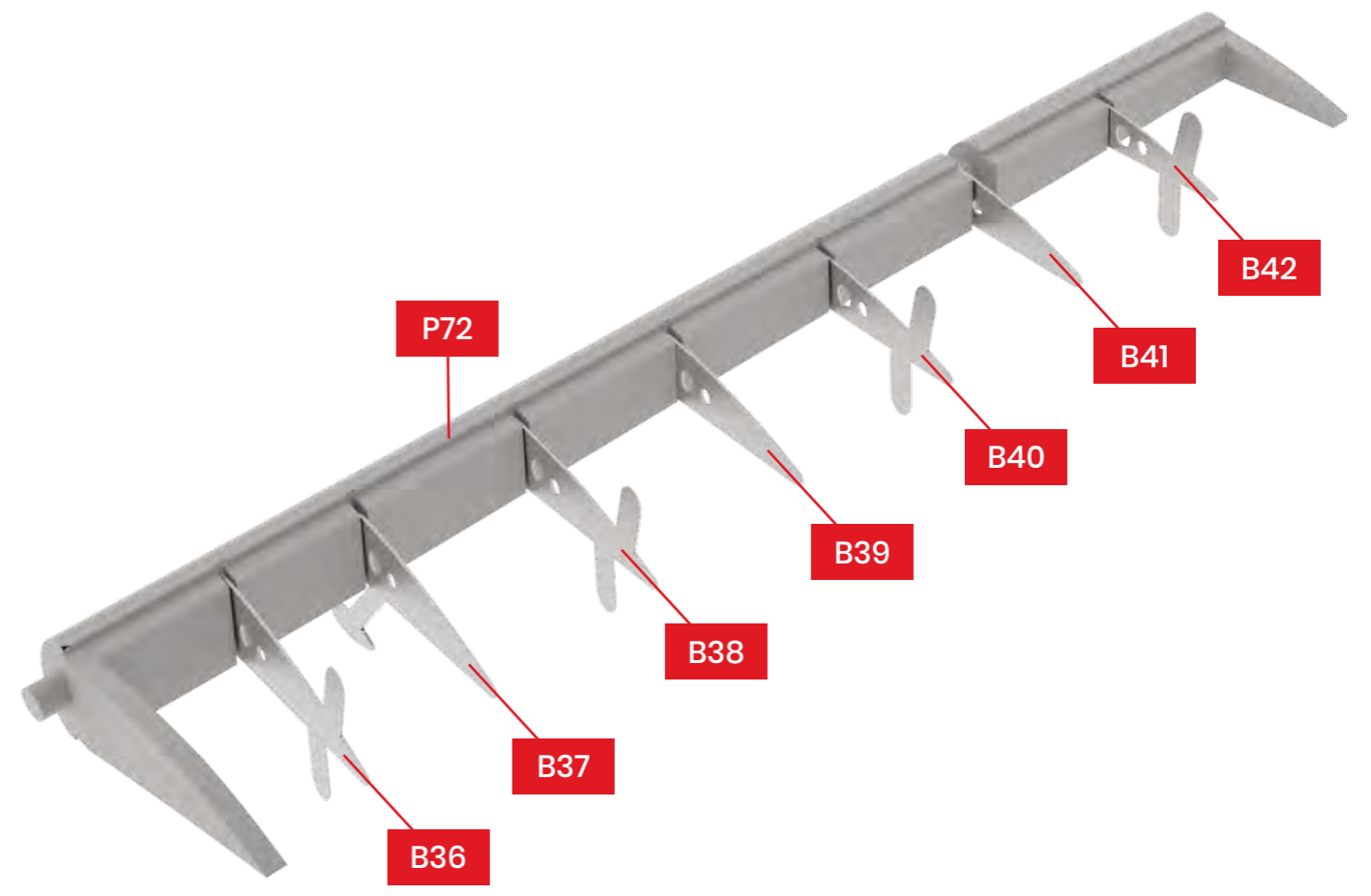
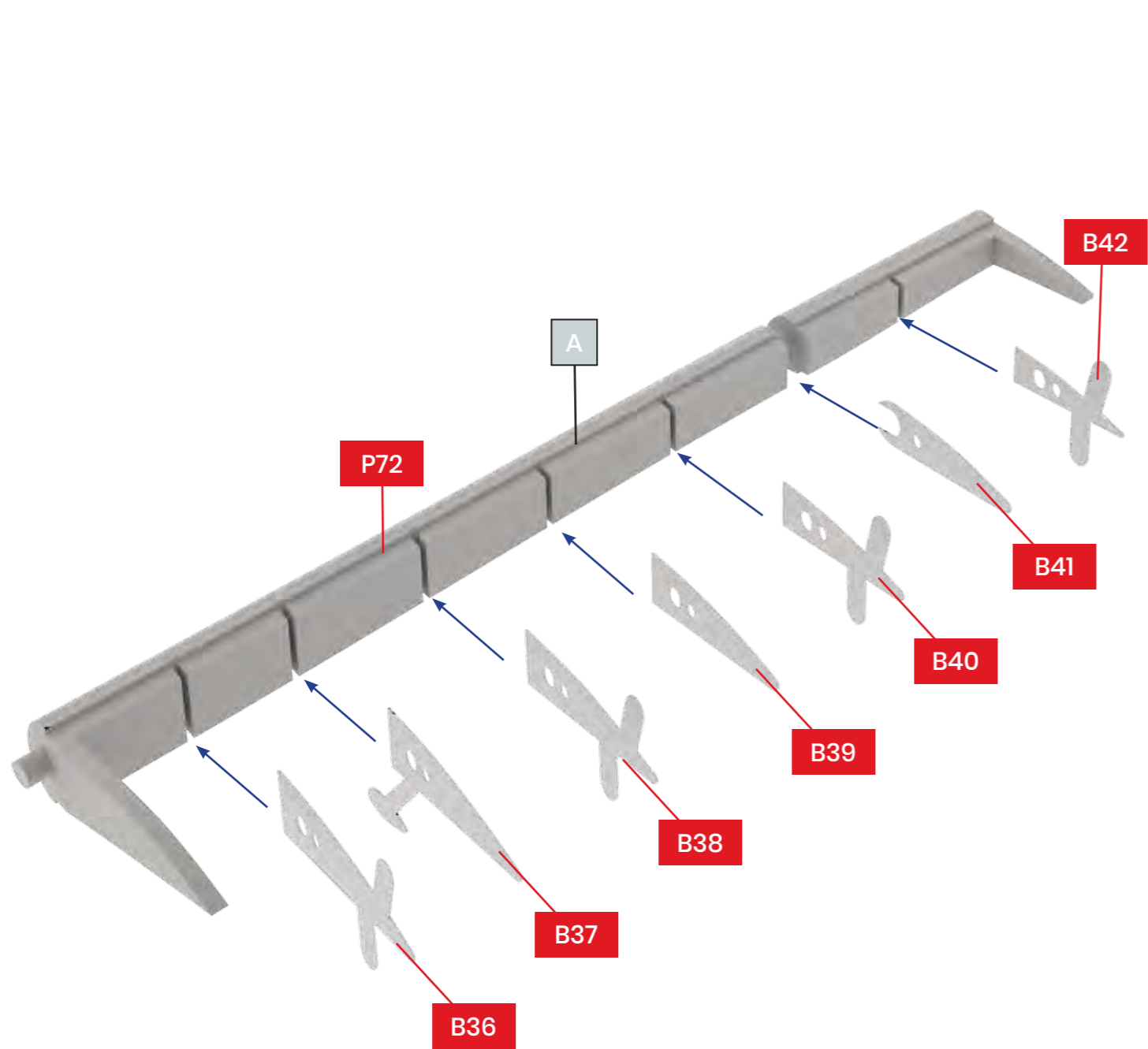
221



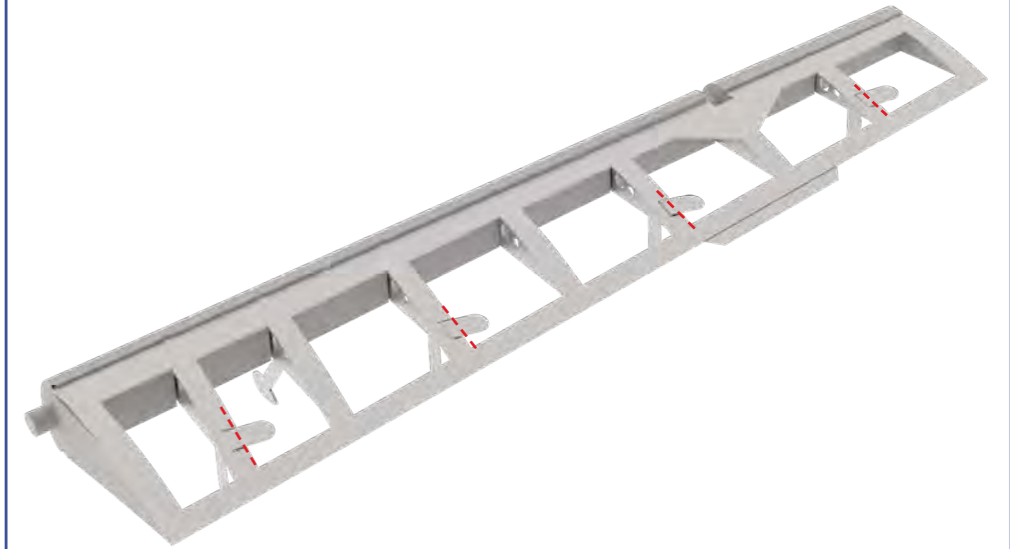
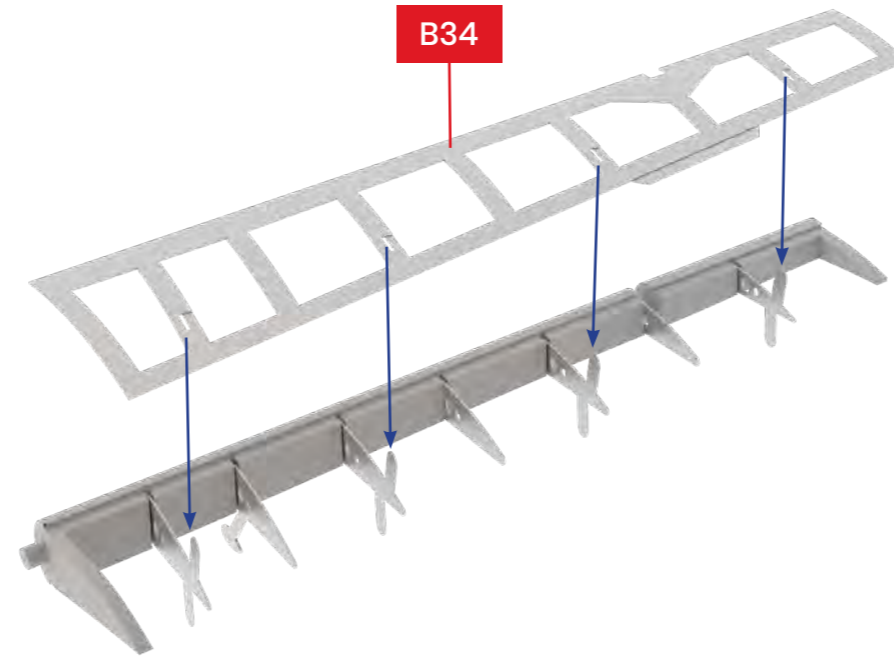
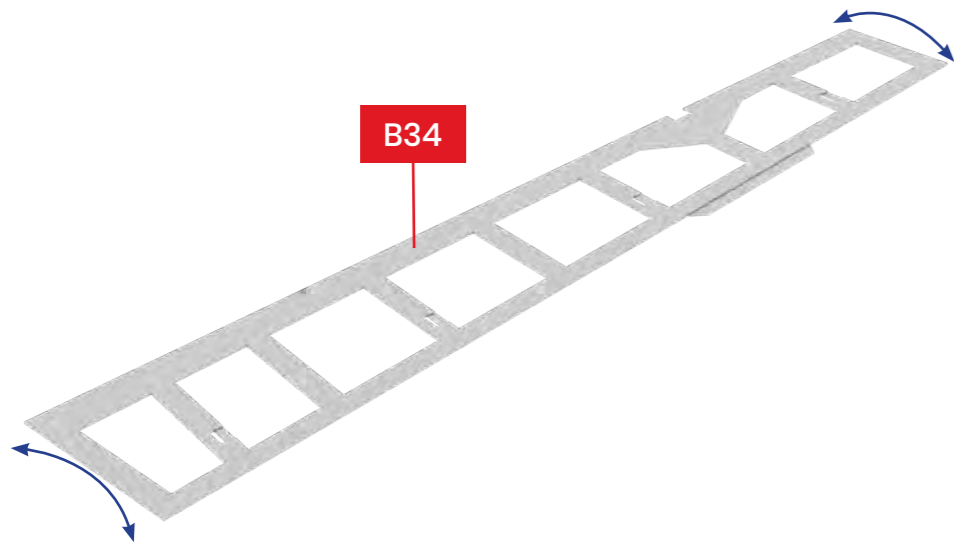
222



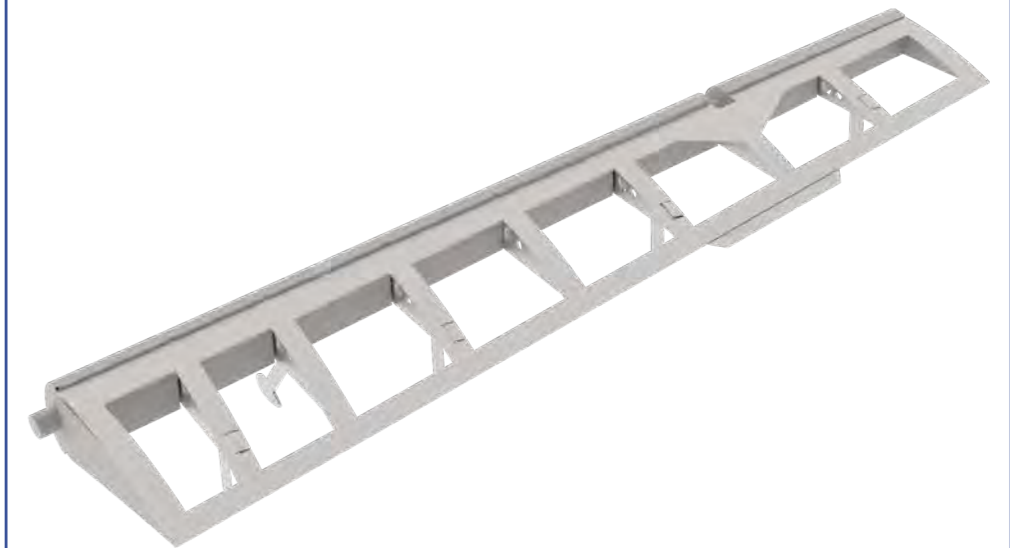
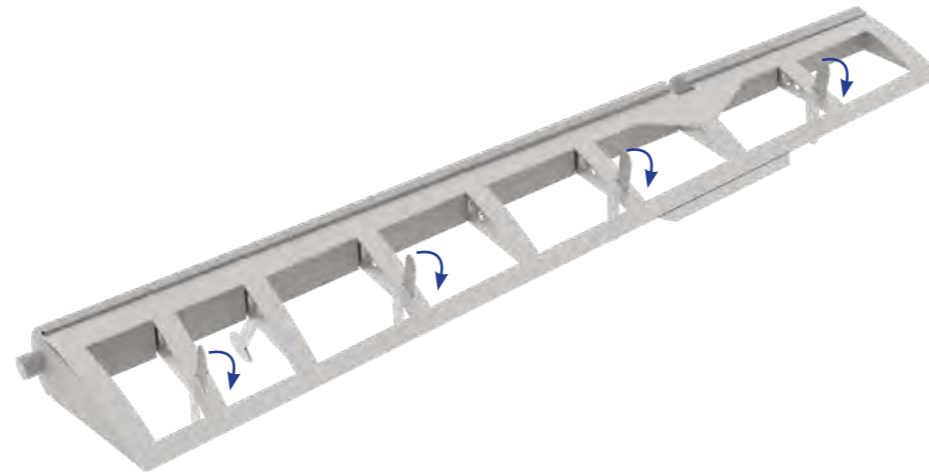
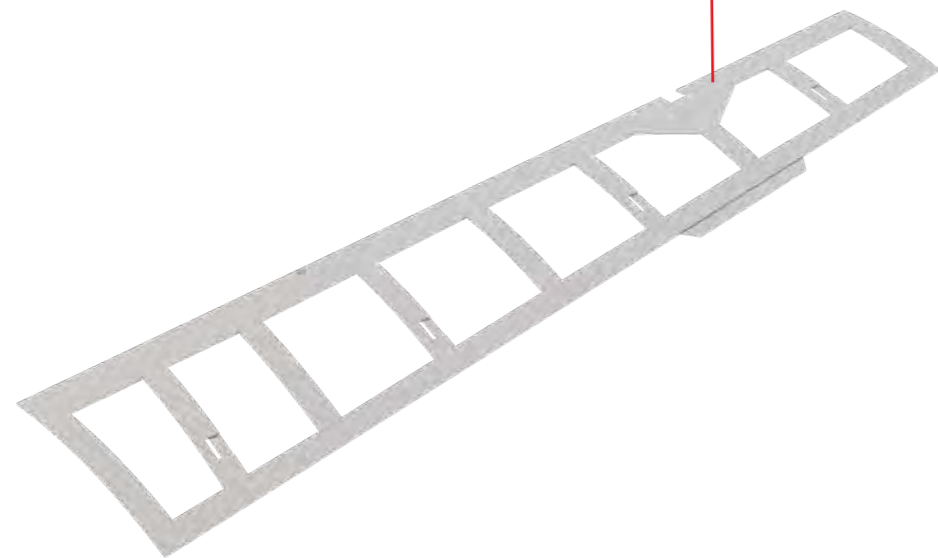
223



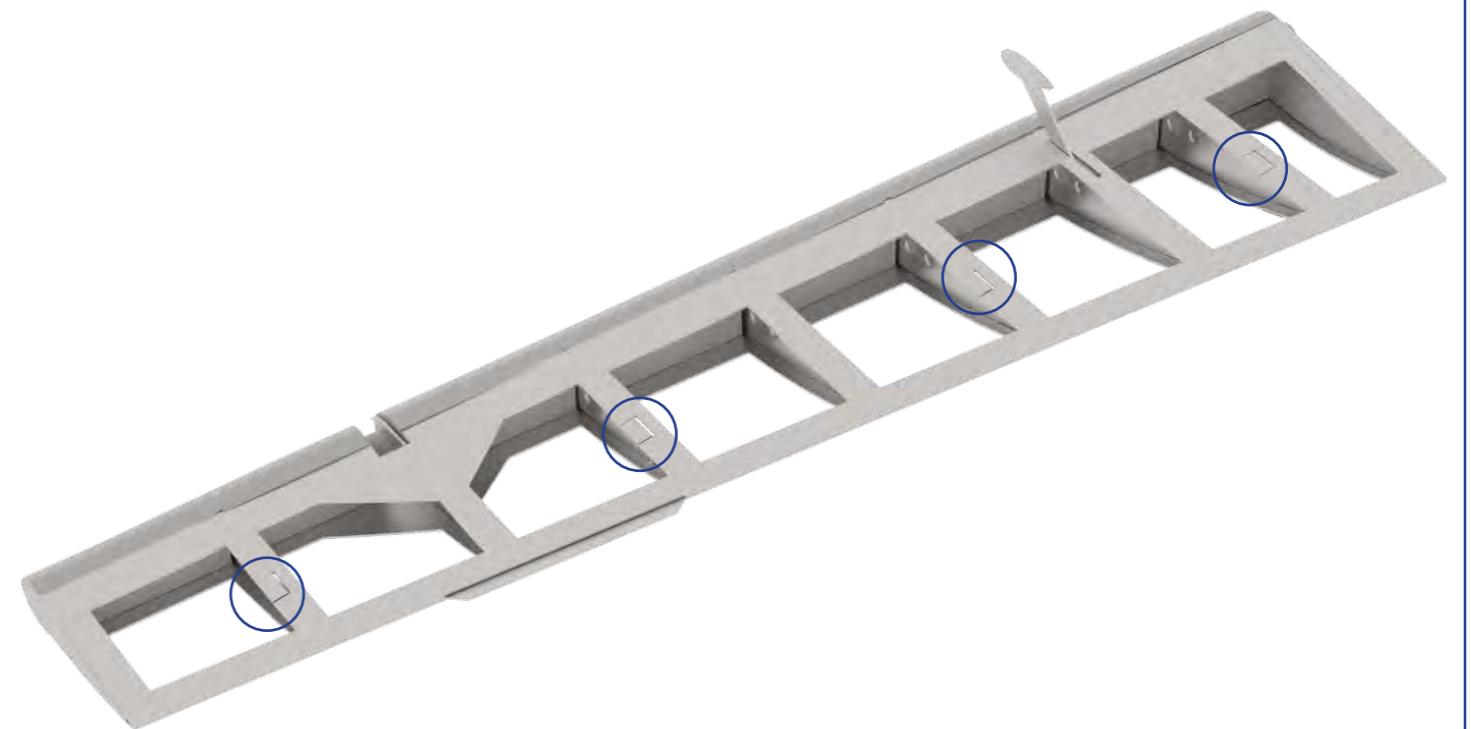
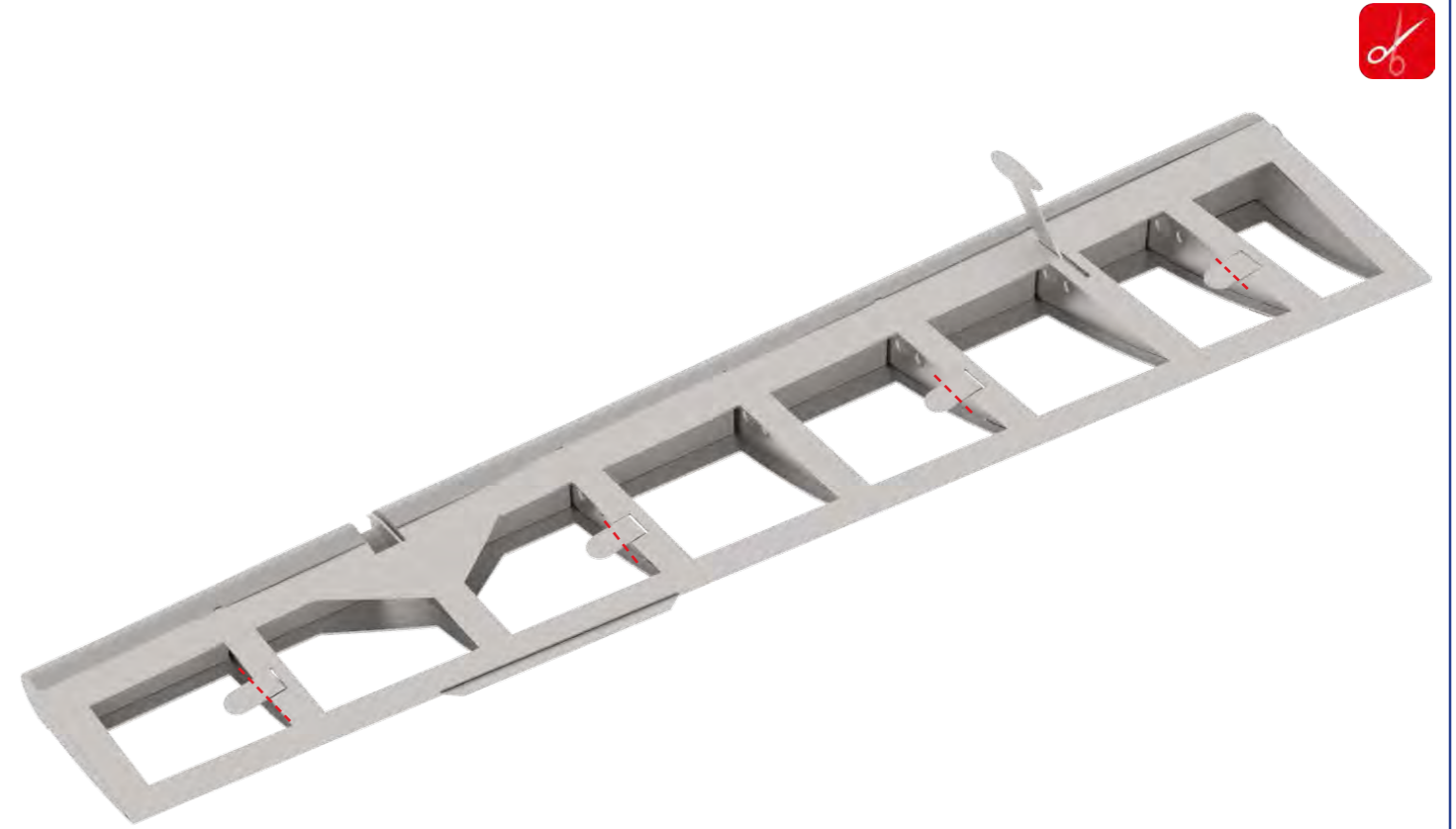
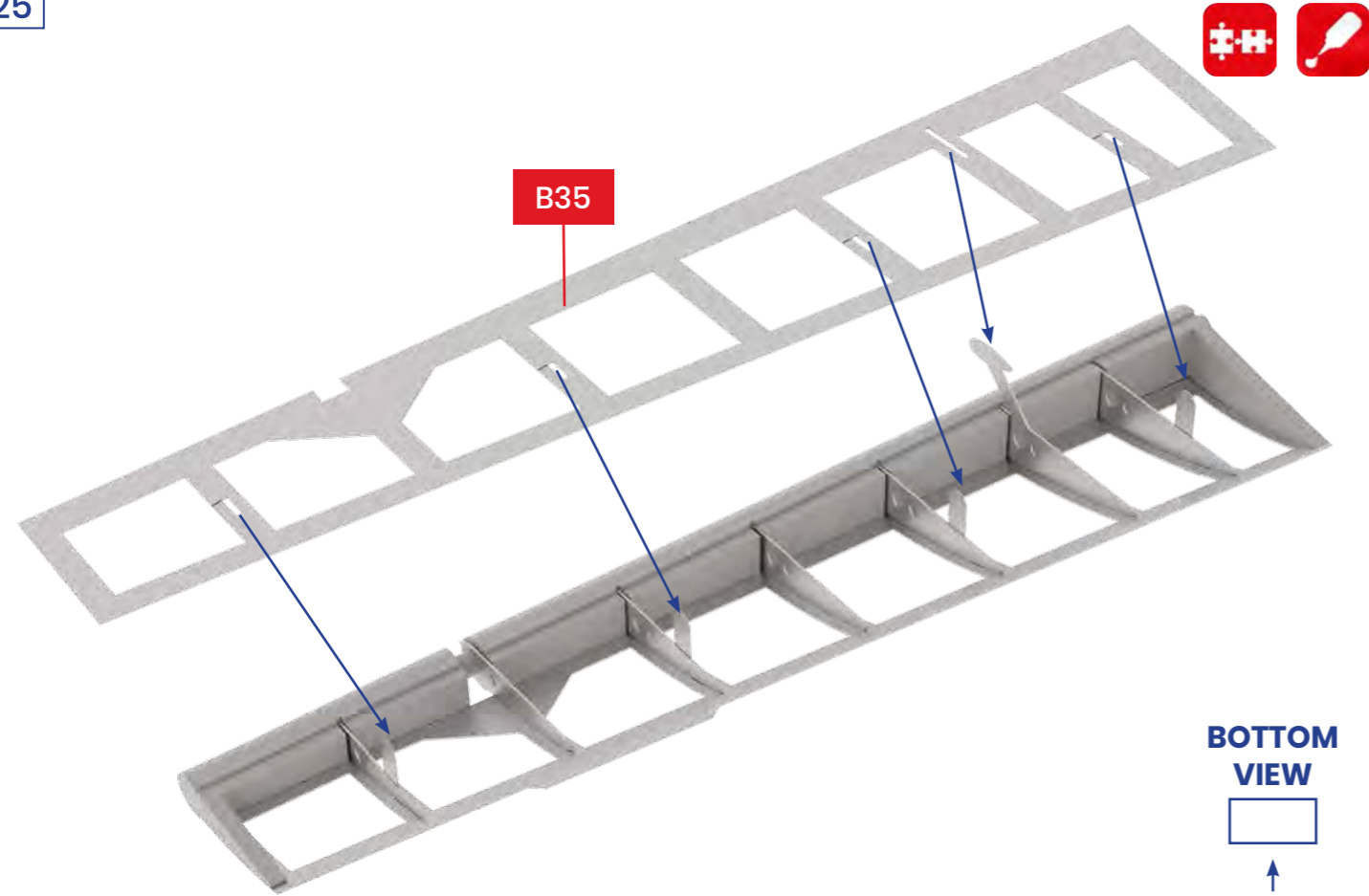
224



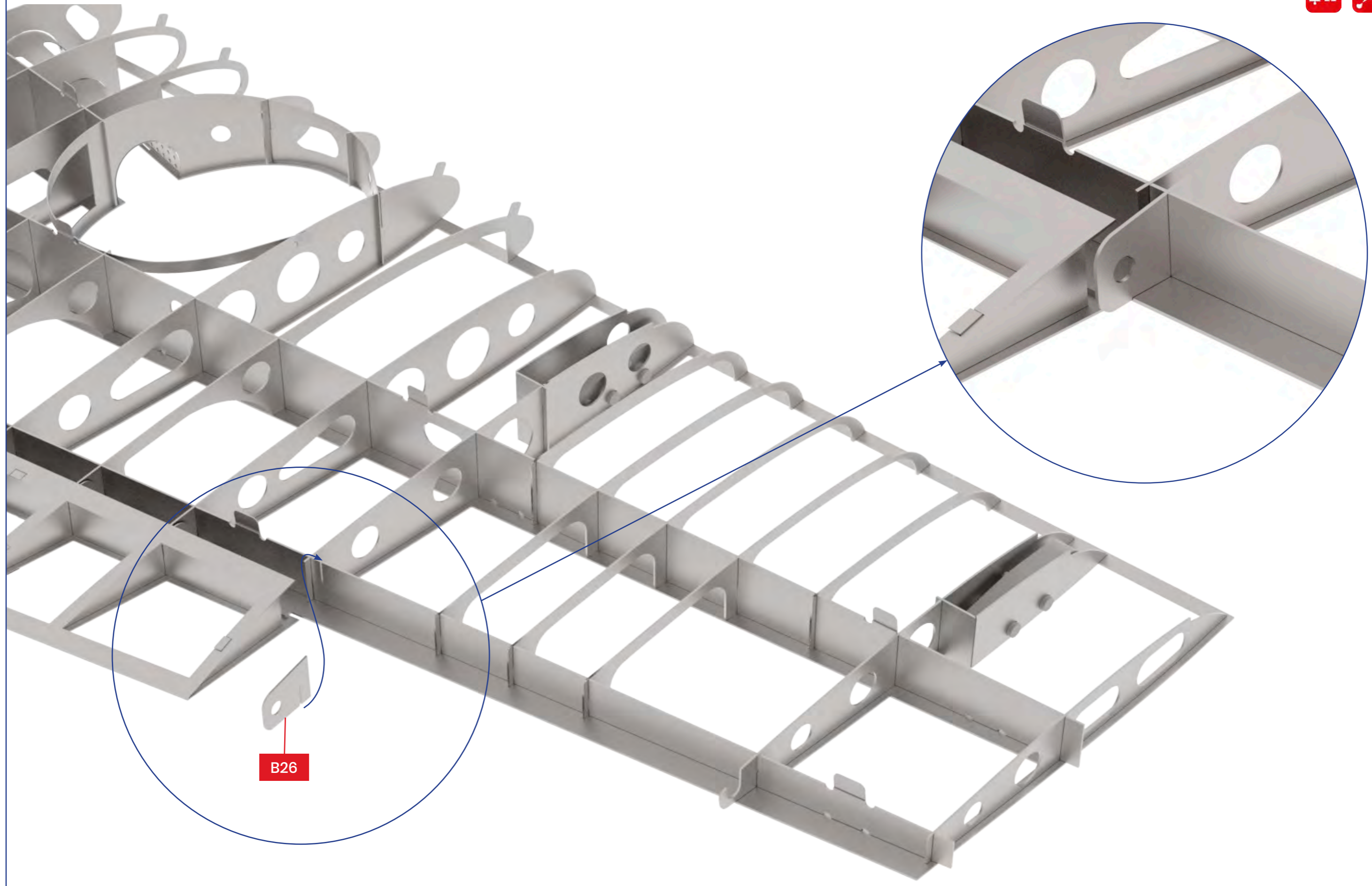
B34



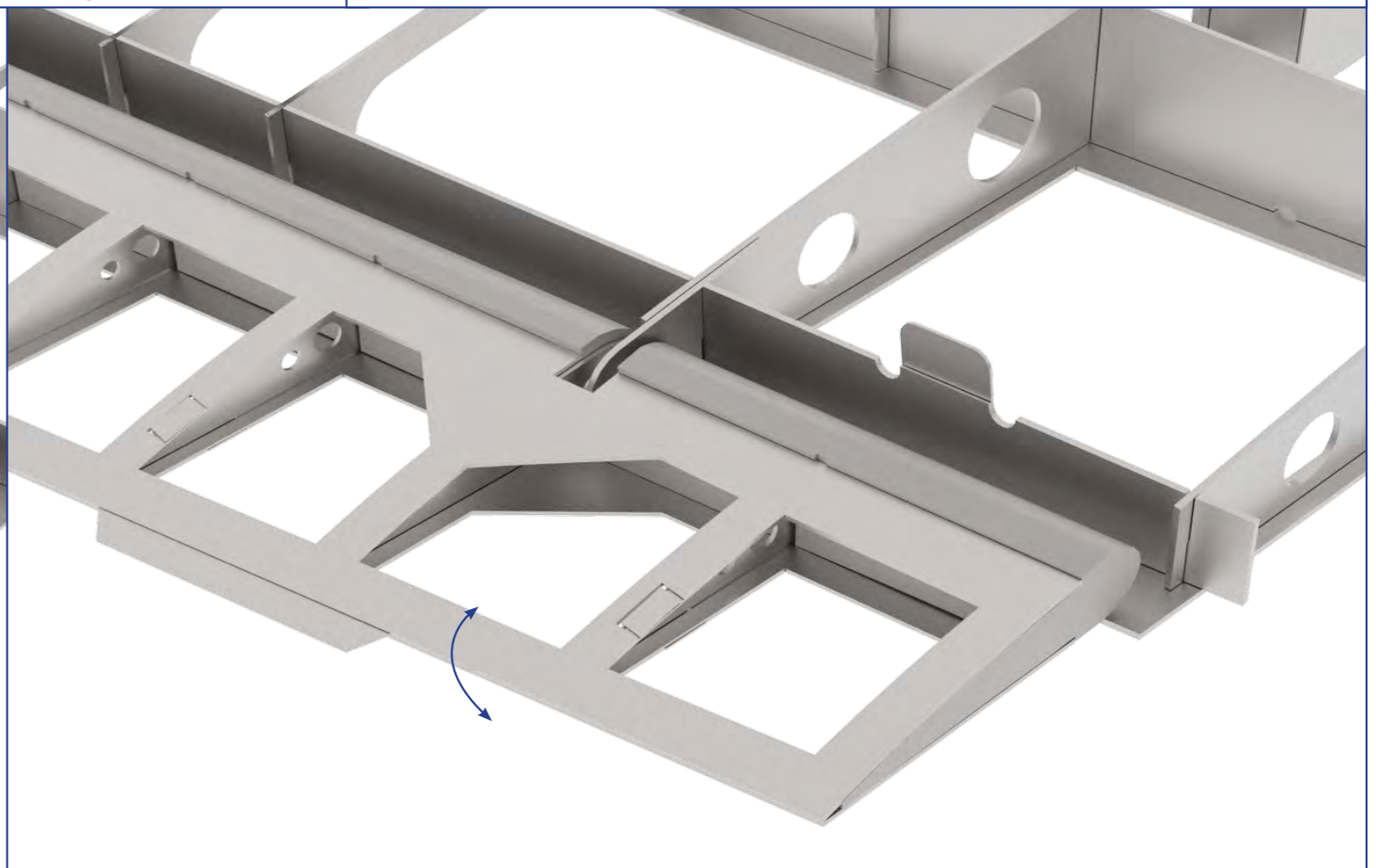
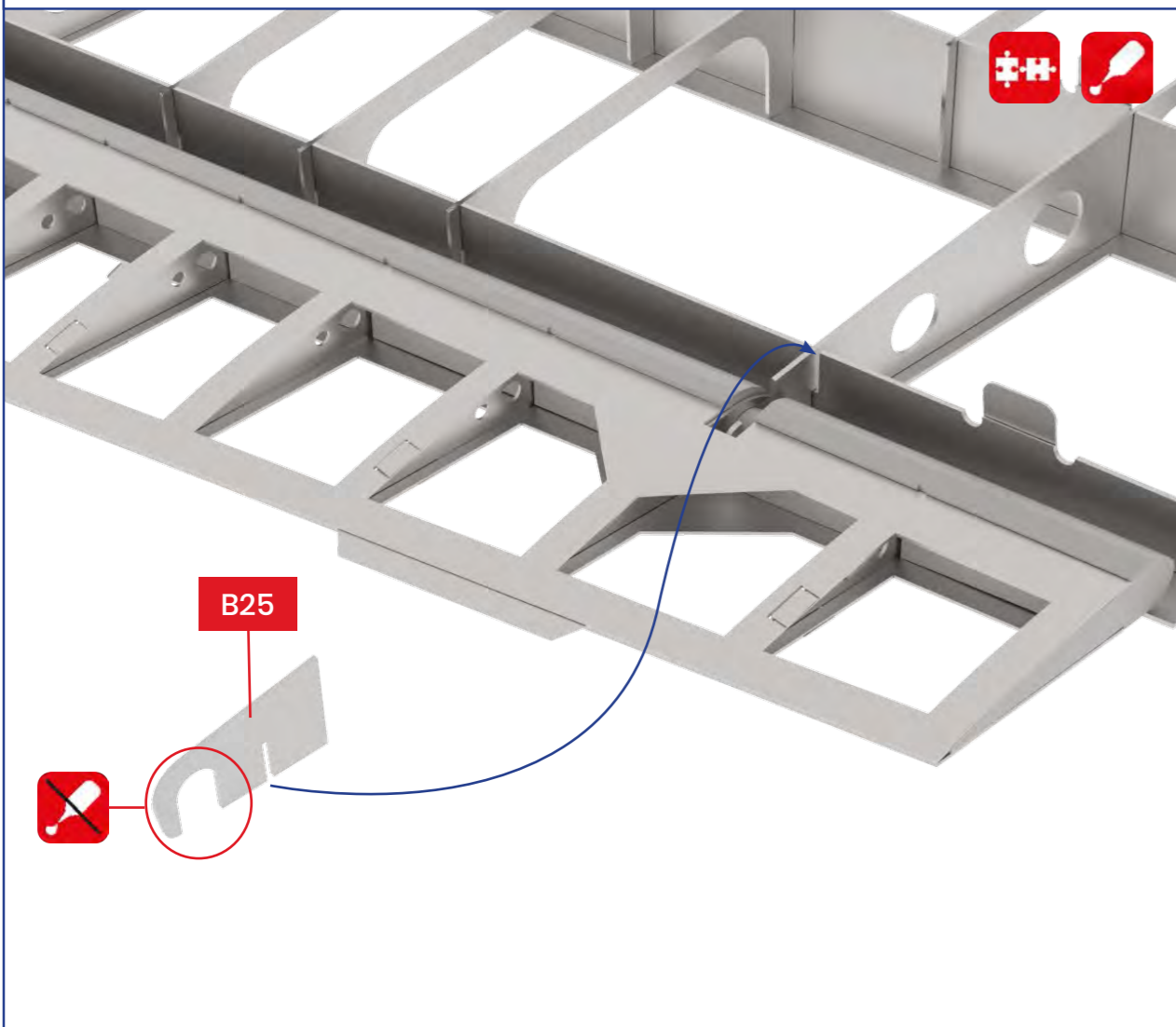
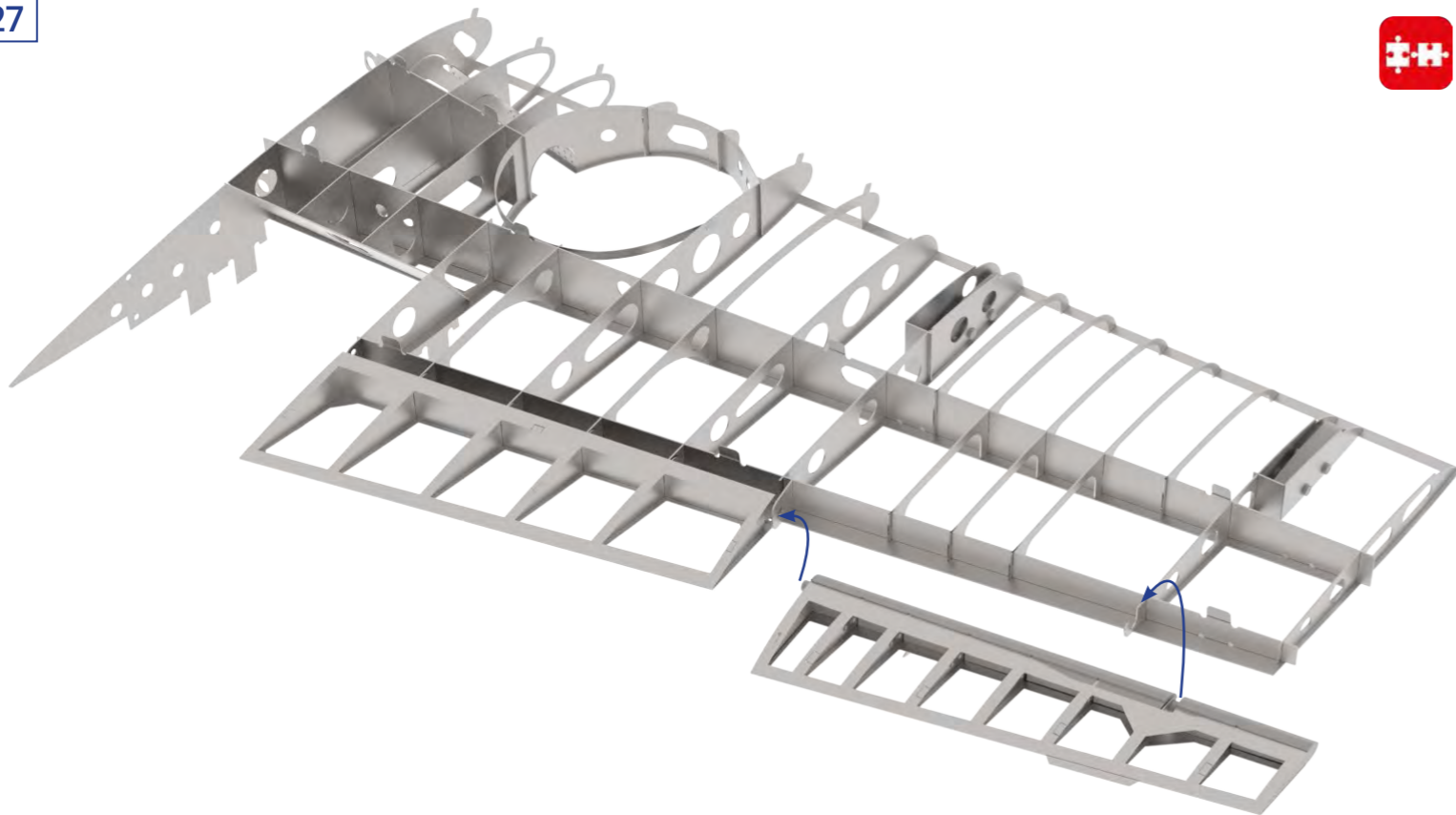
225



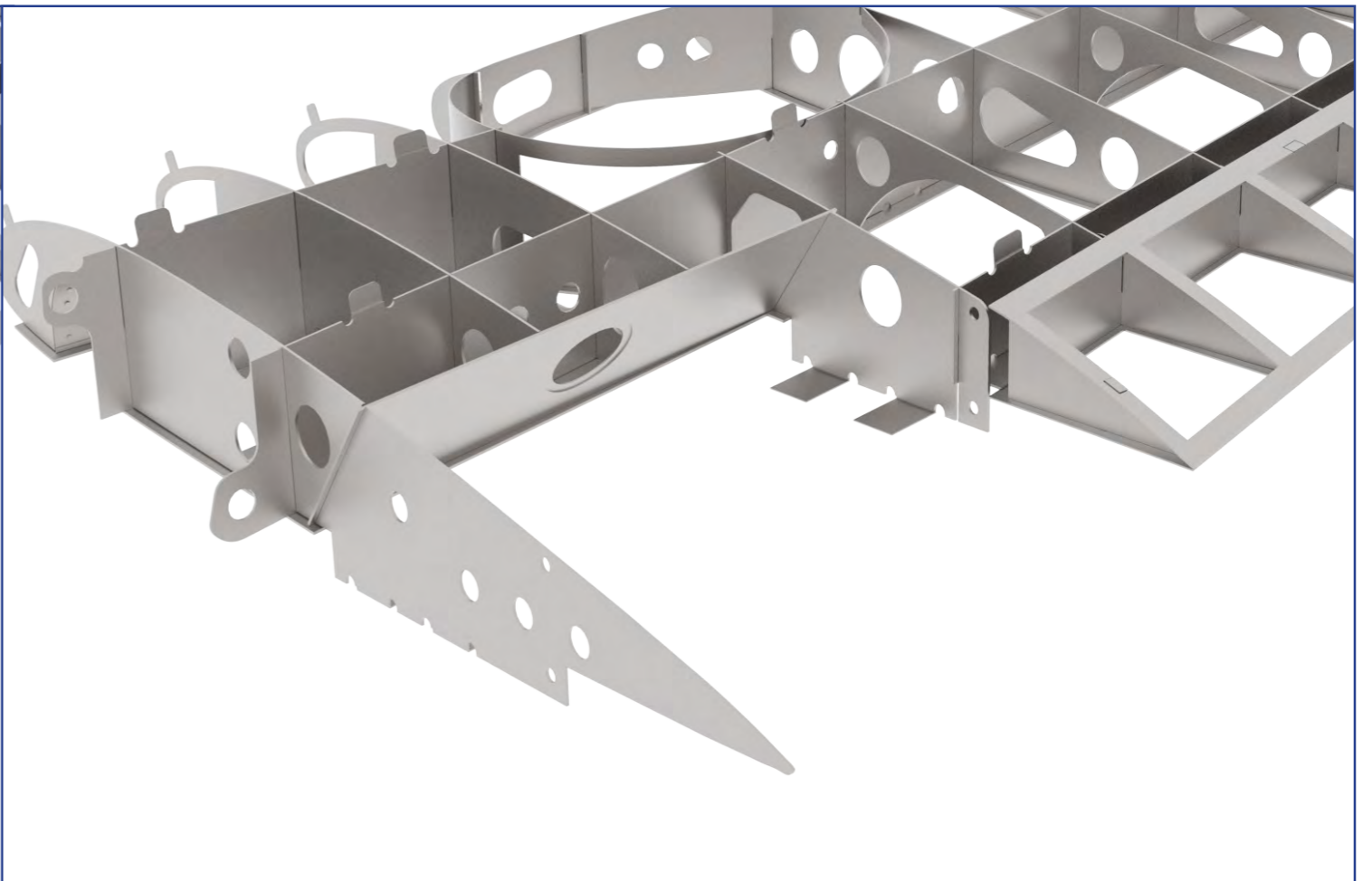
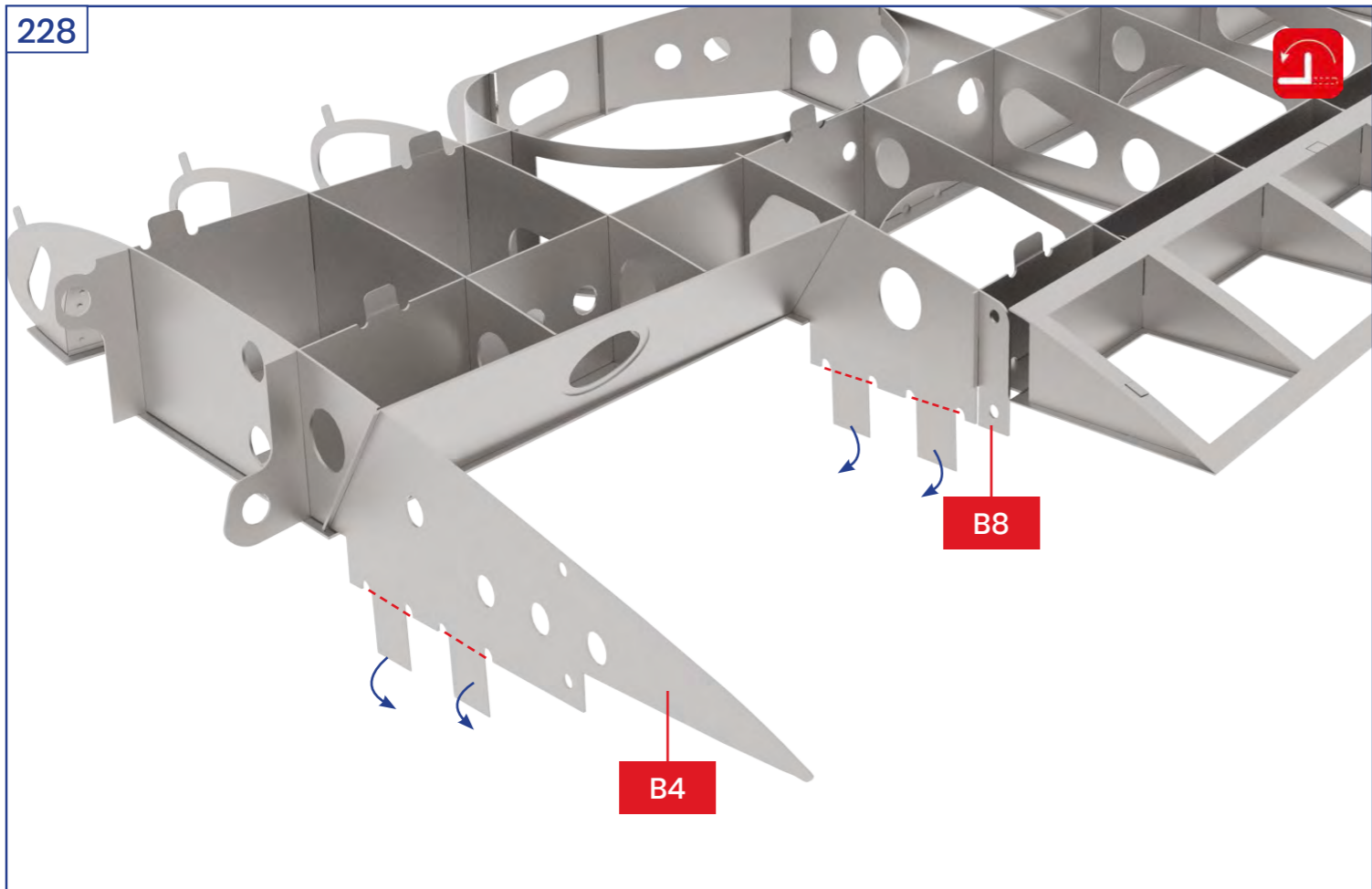
226



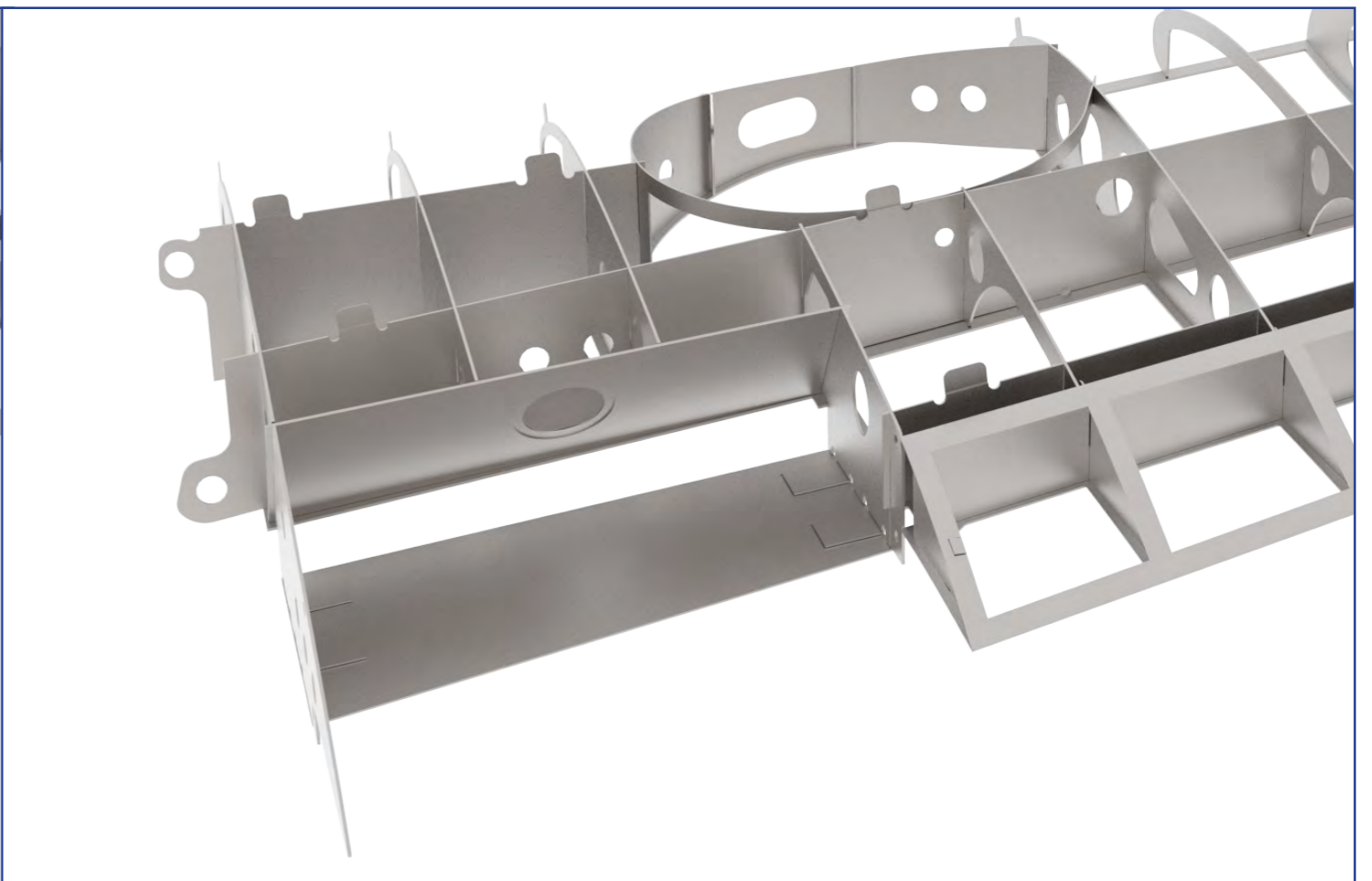
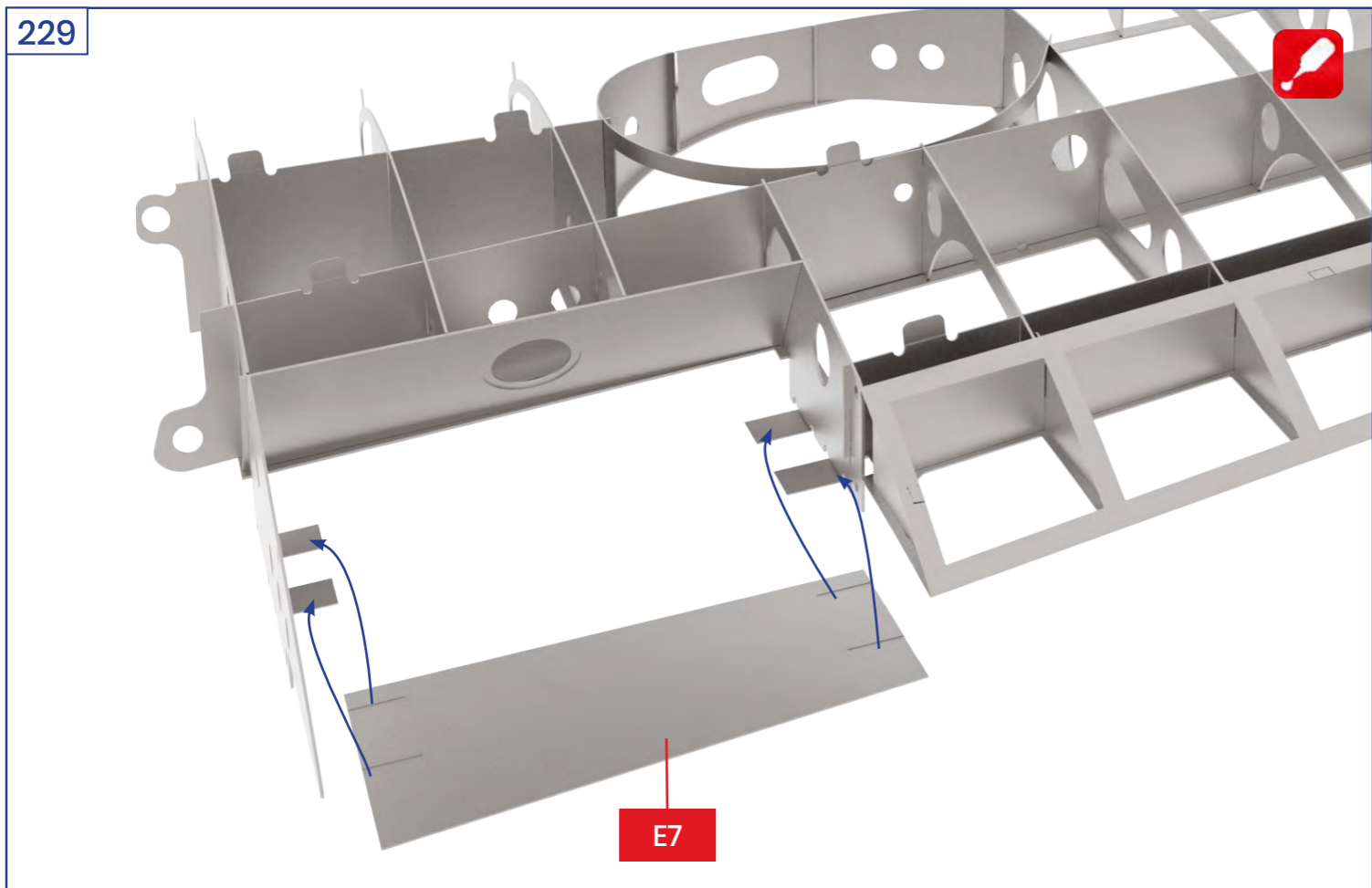
227



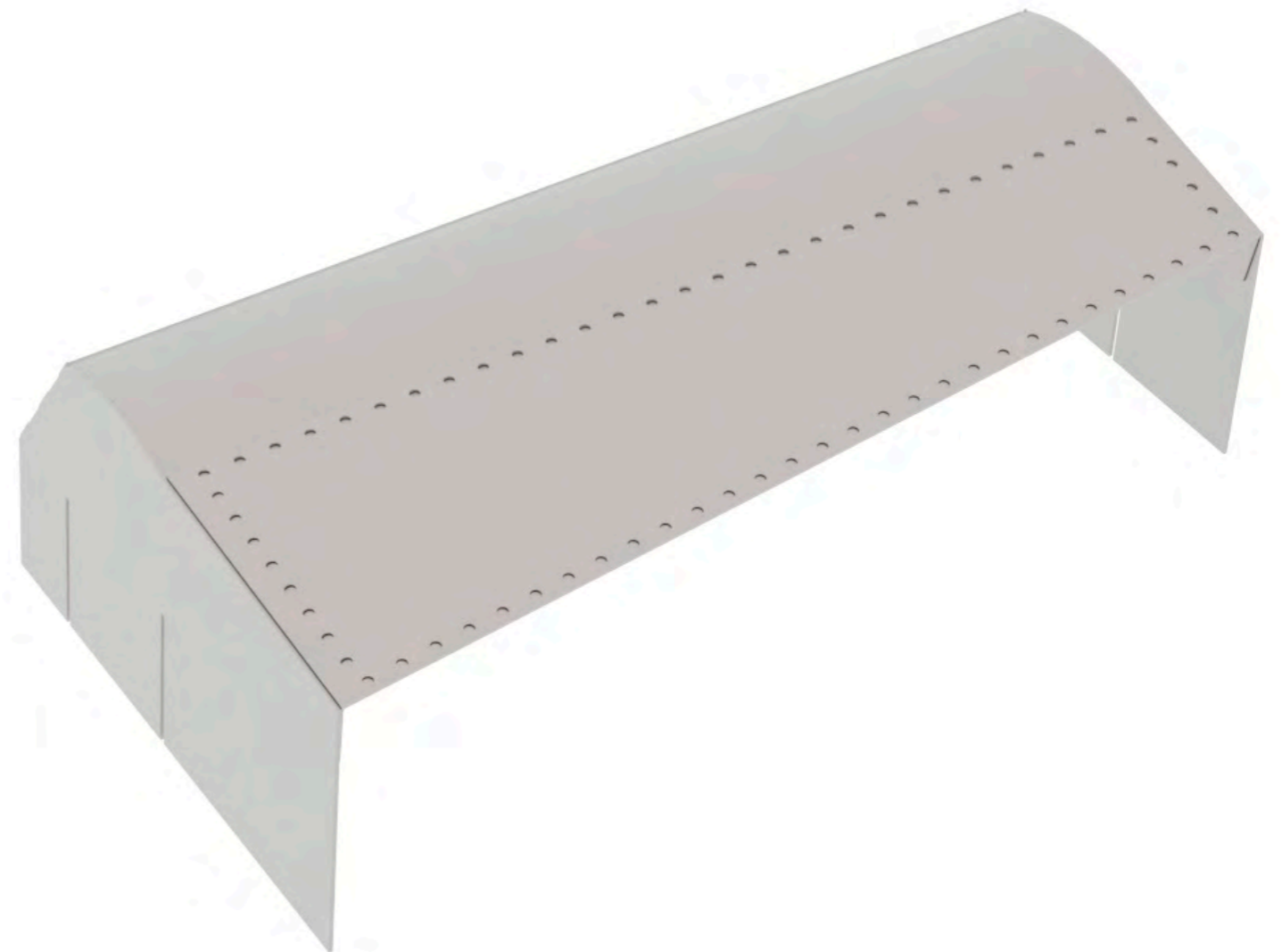
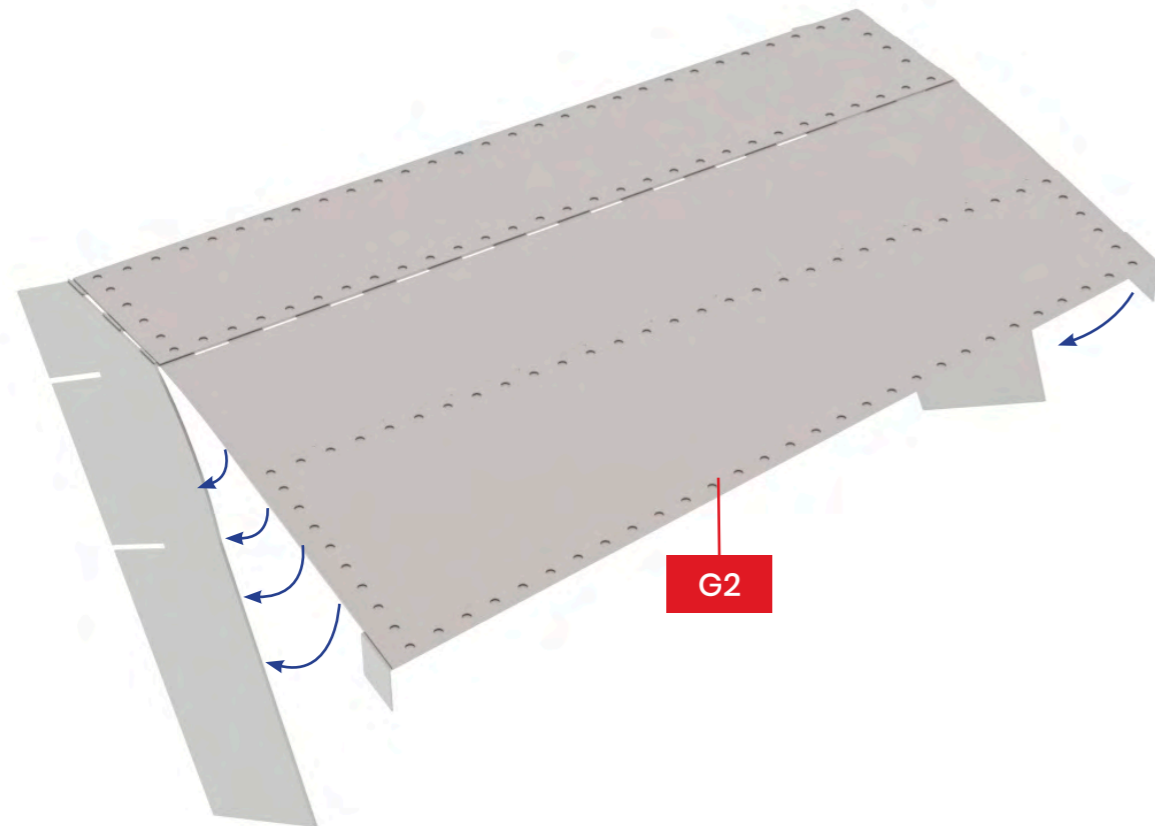
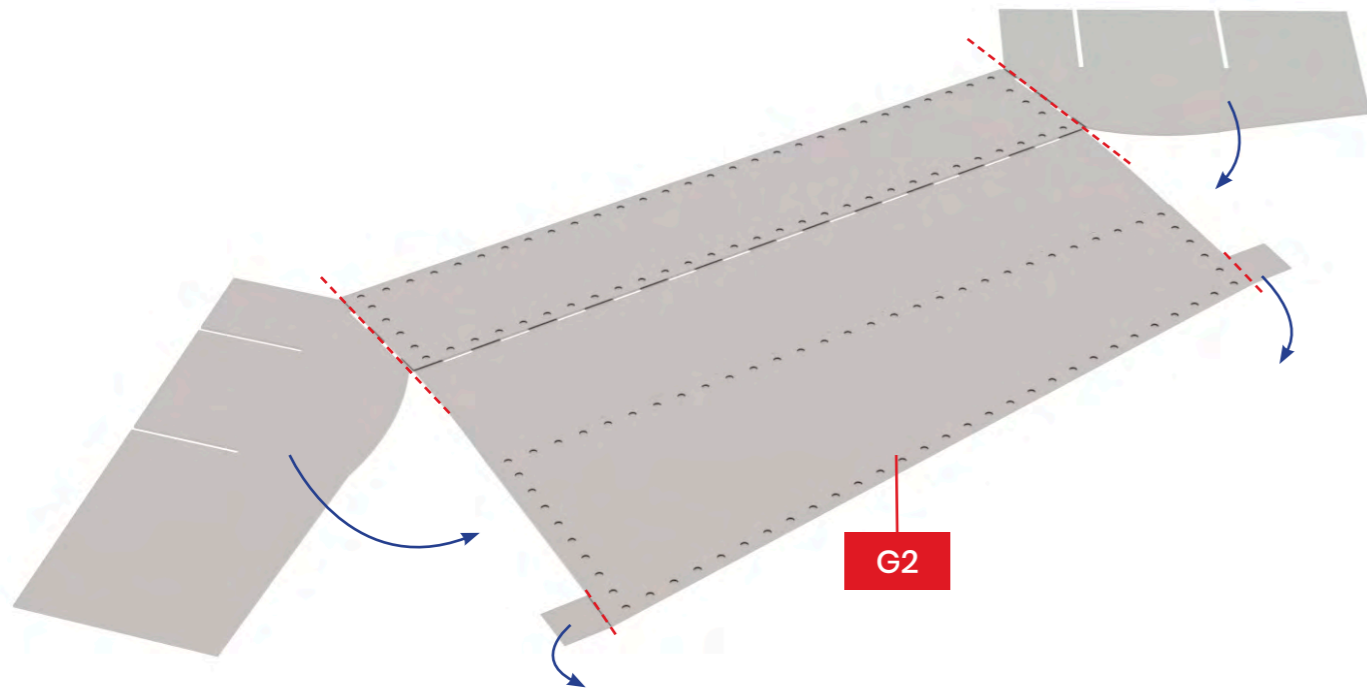
228



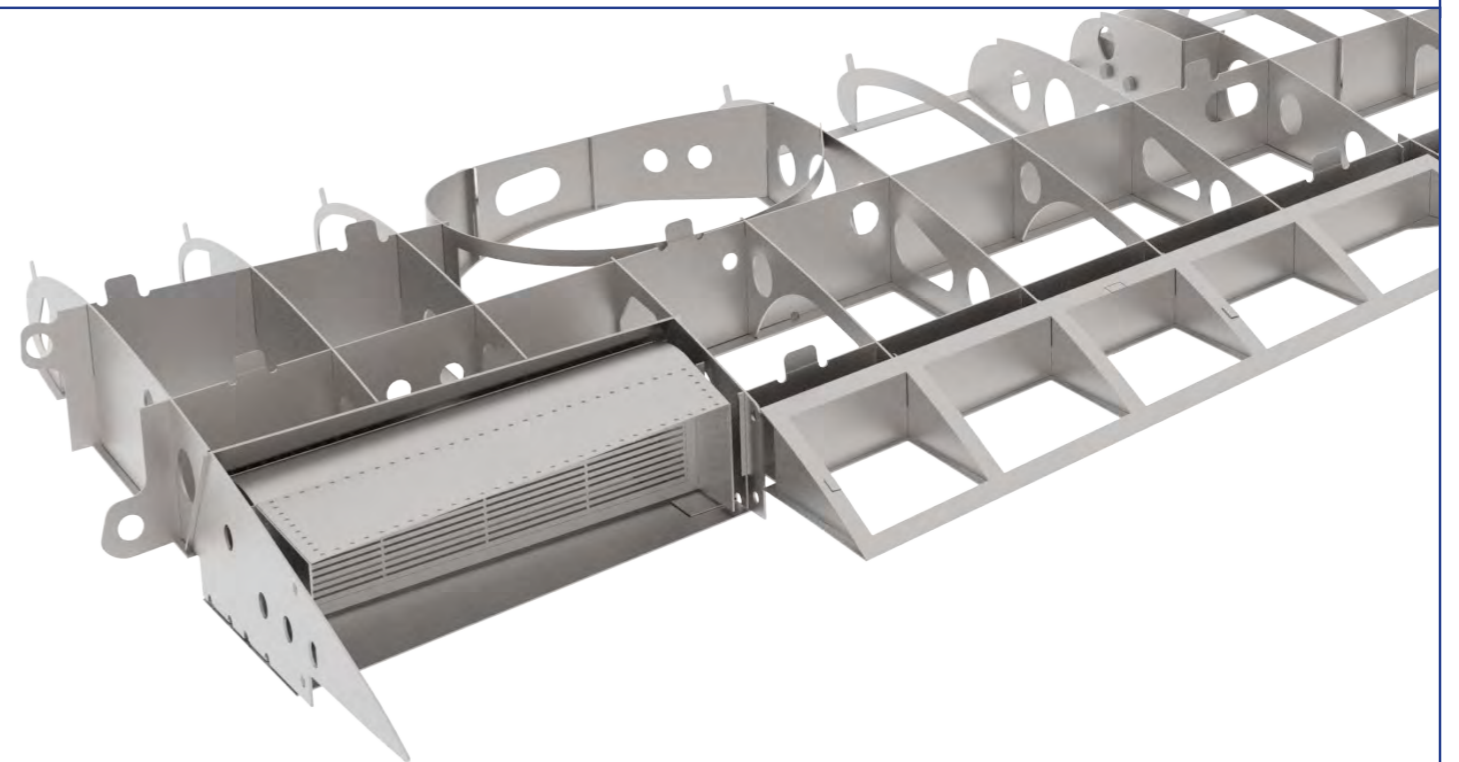
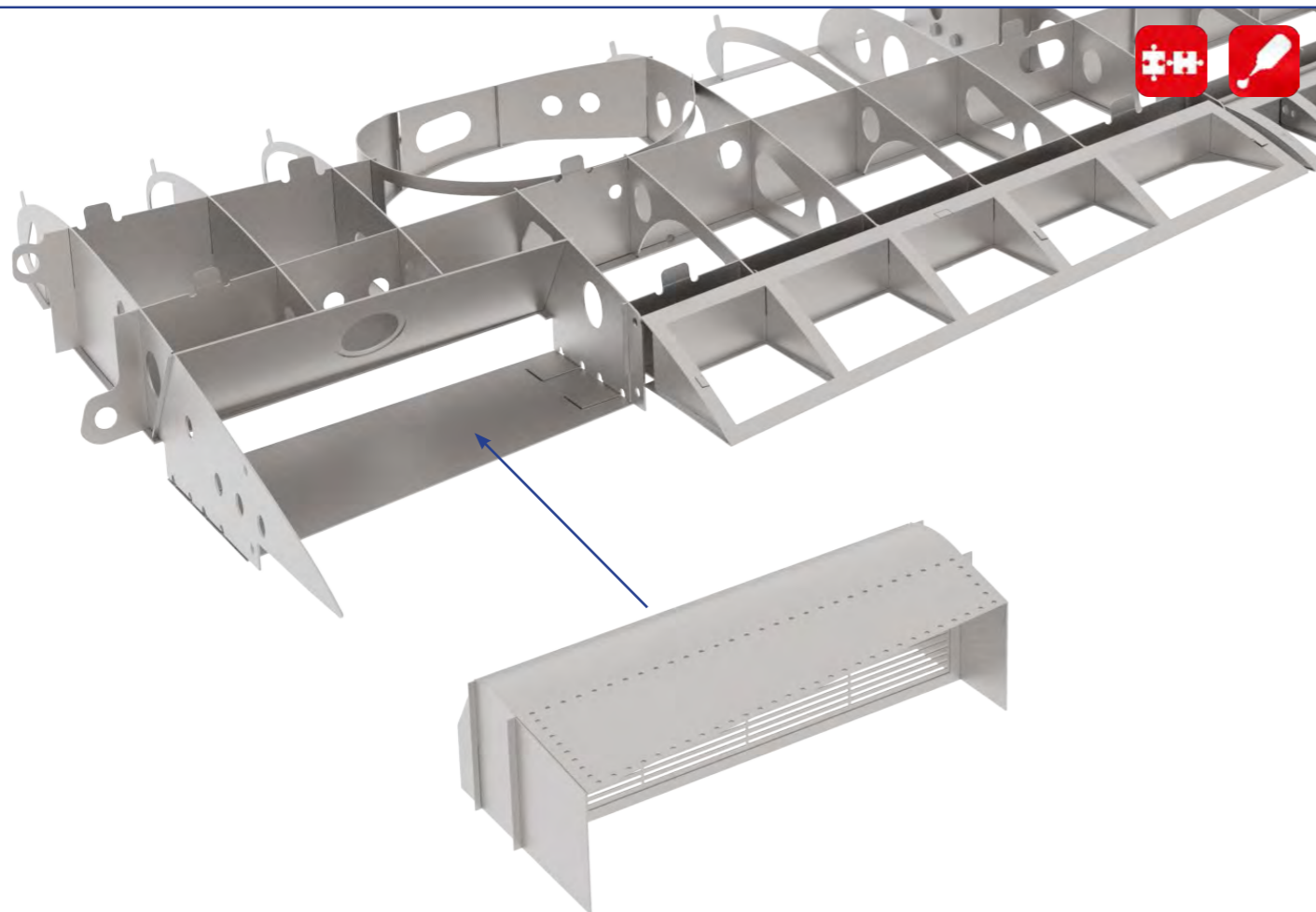
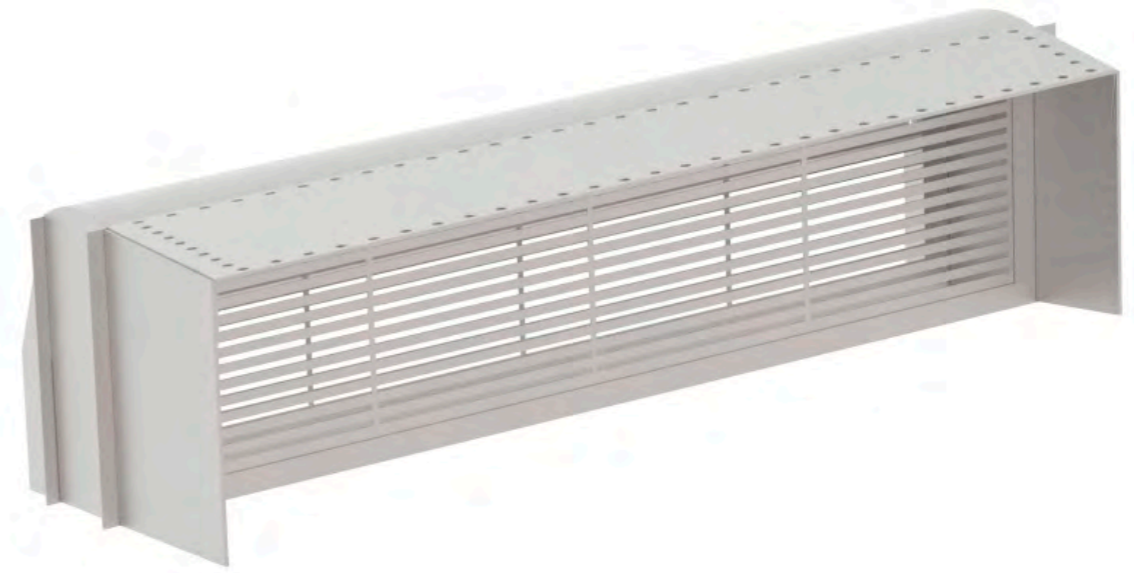
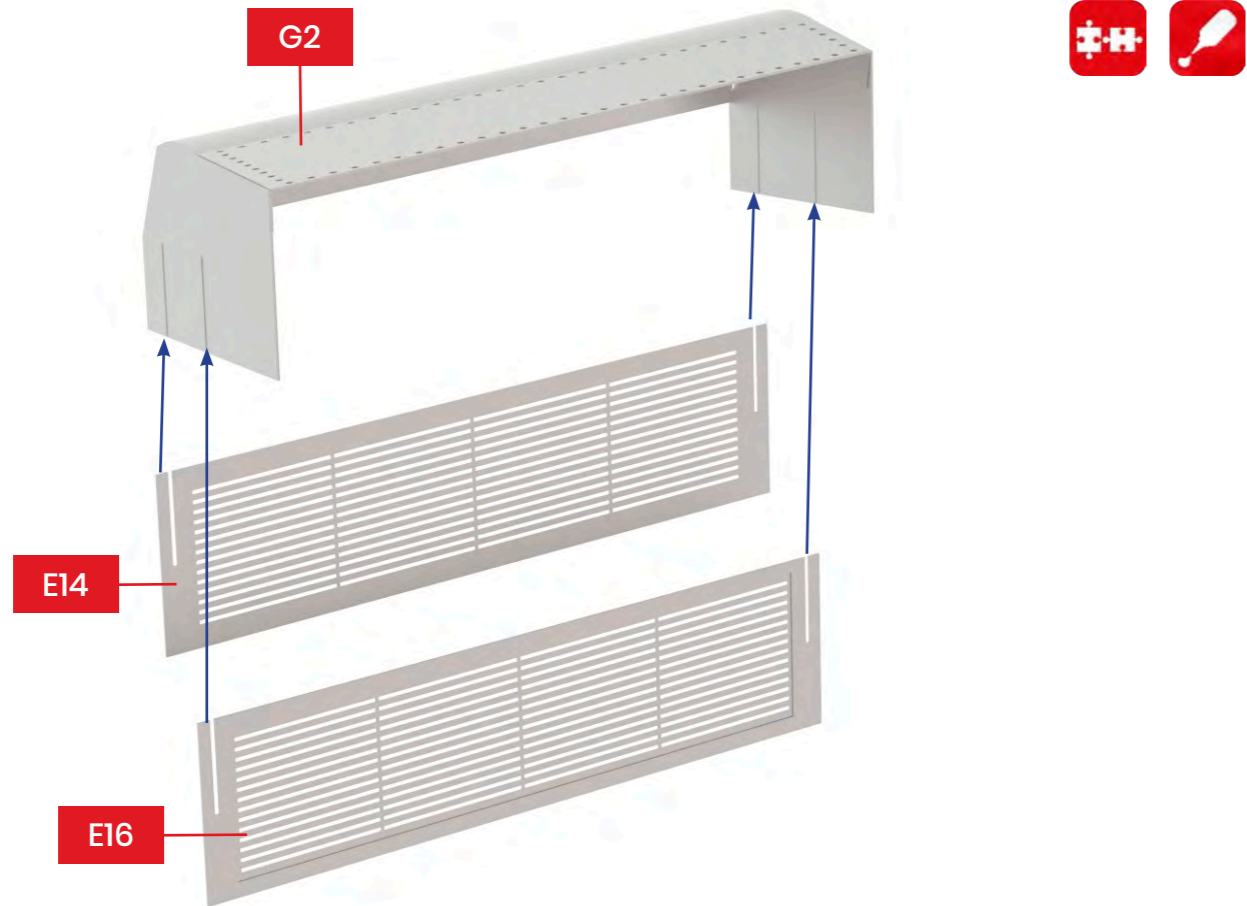
229



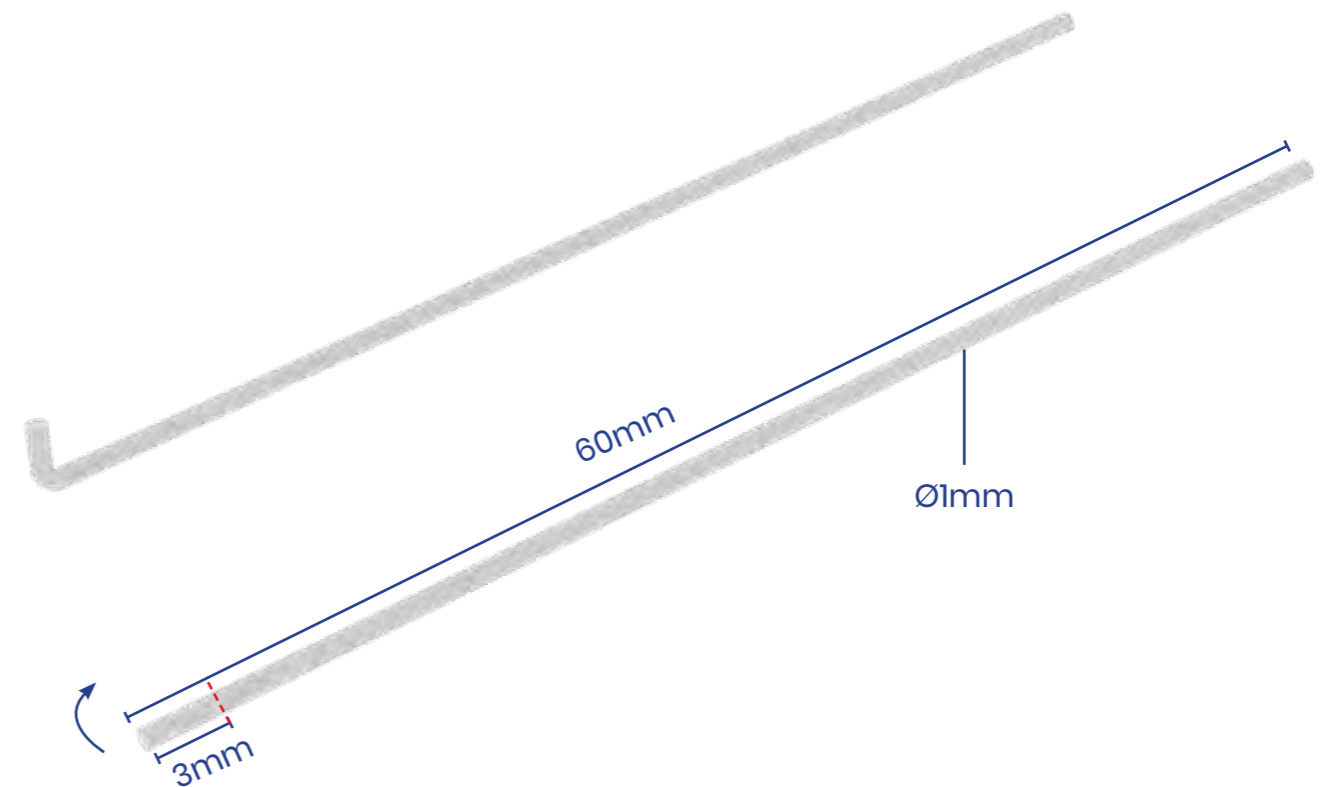
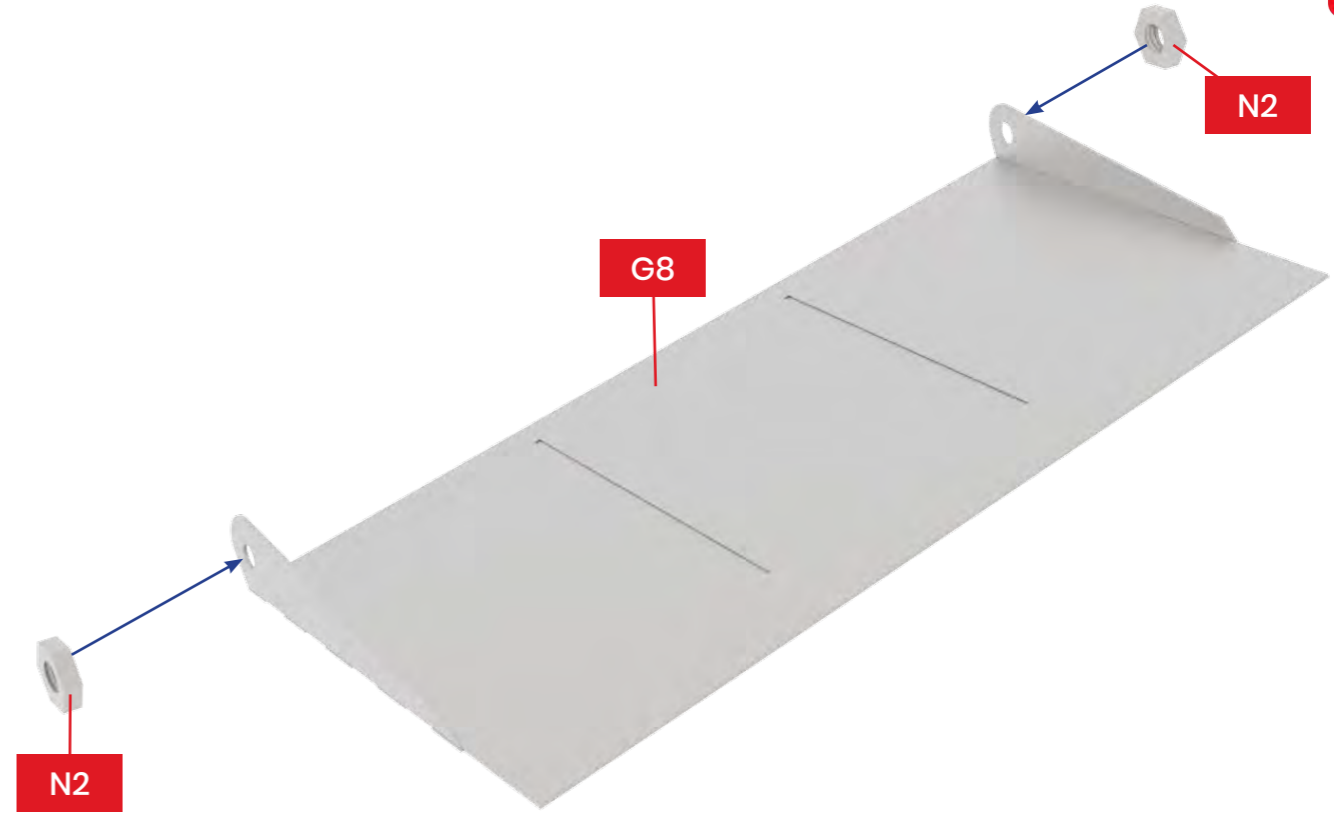
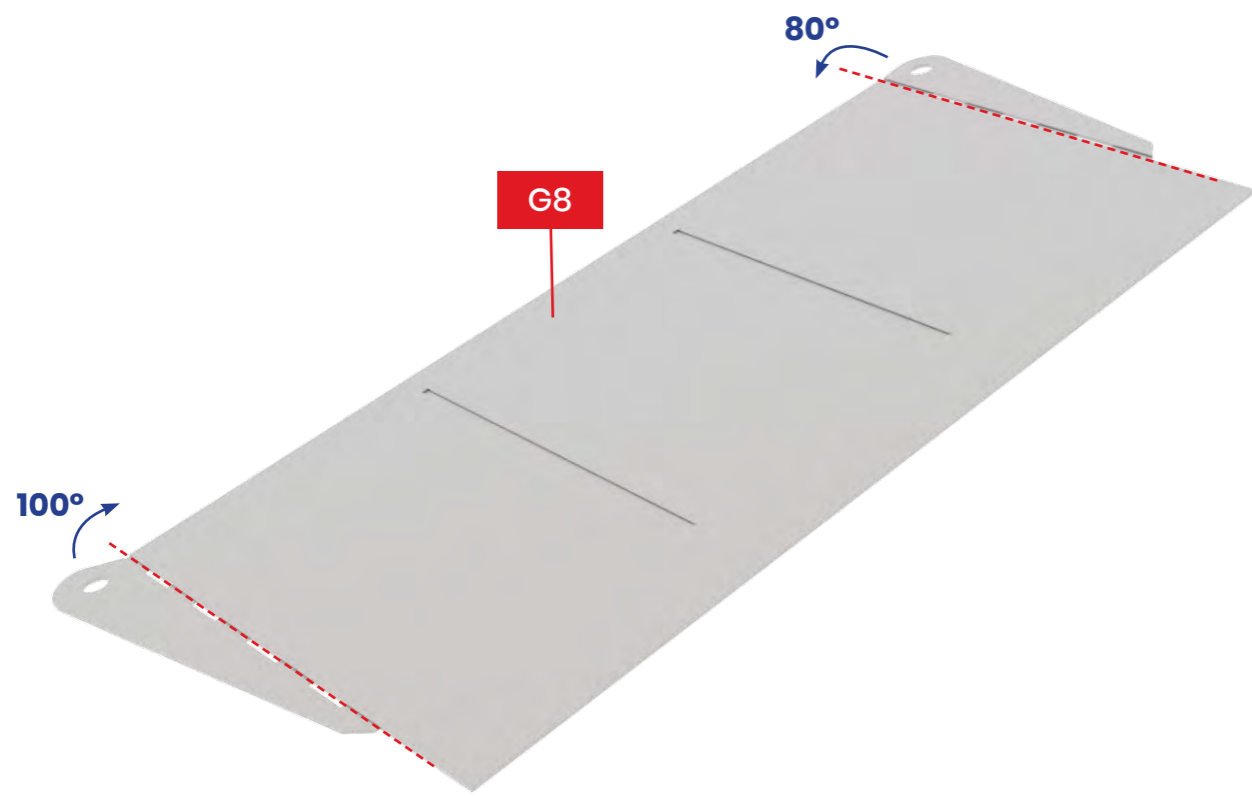
230



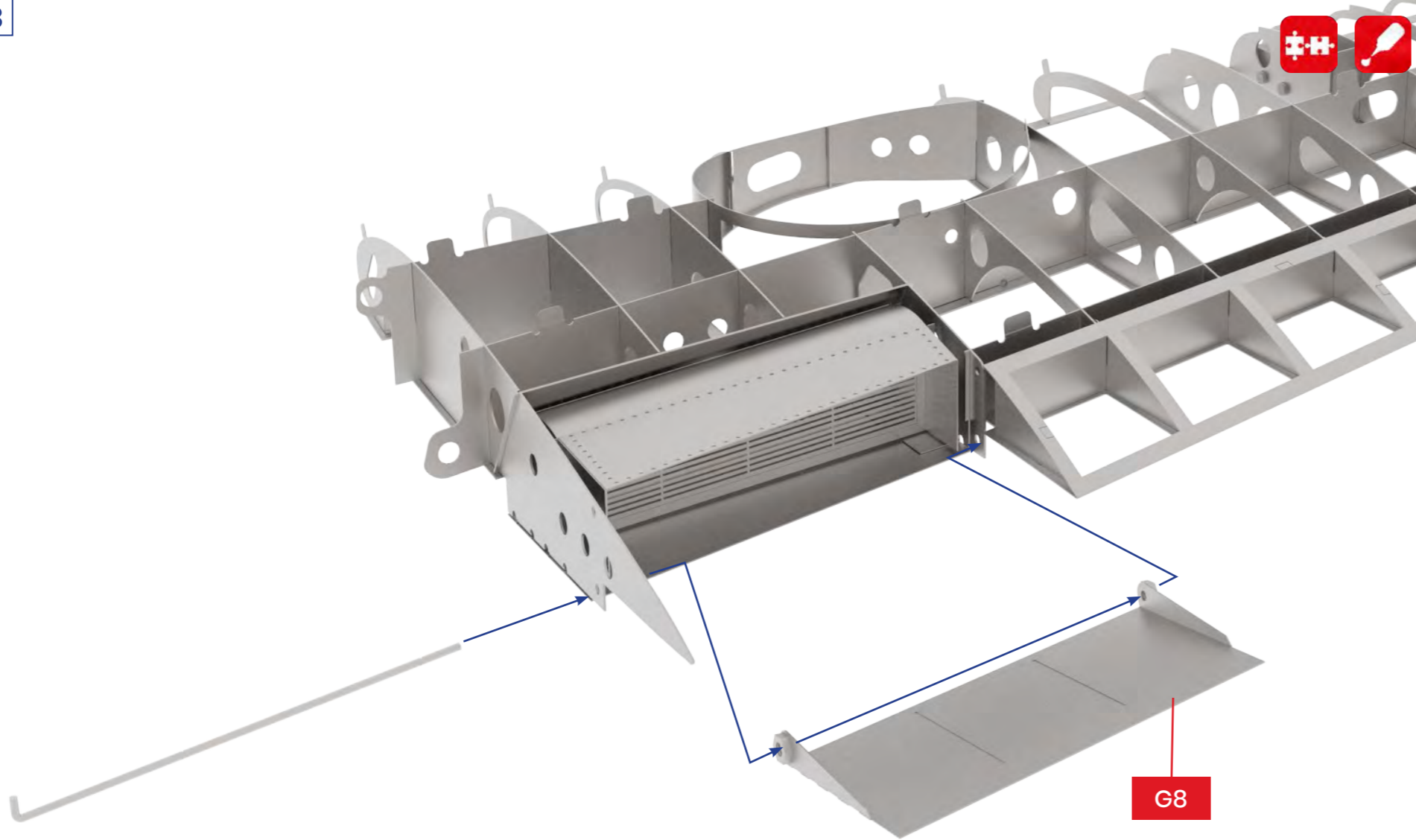
231



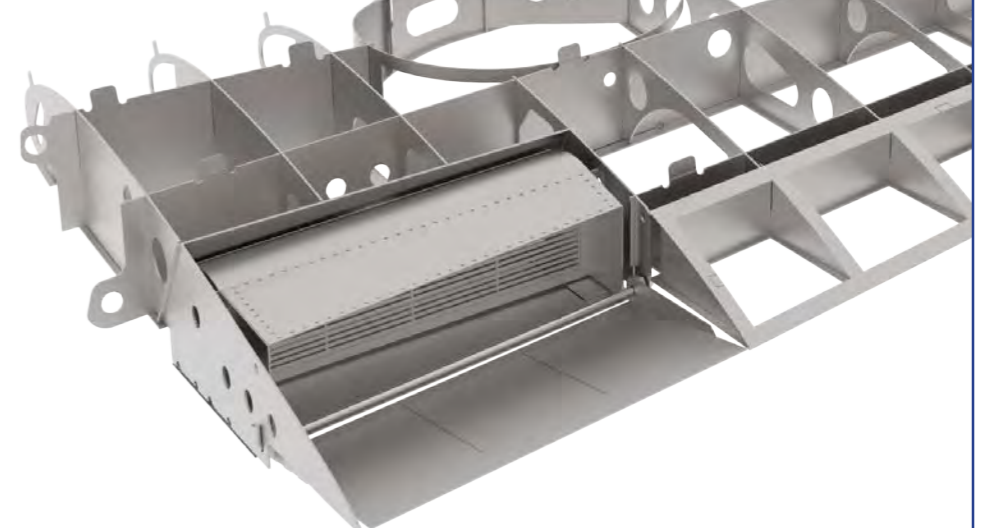
232



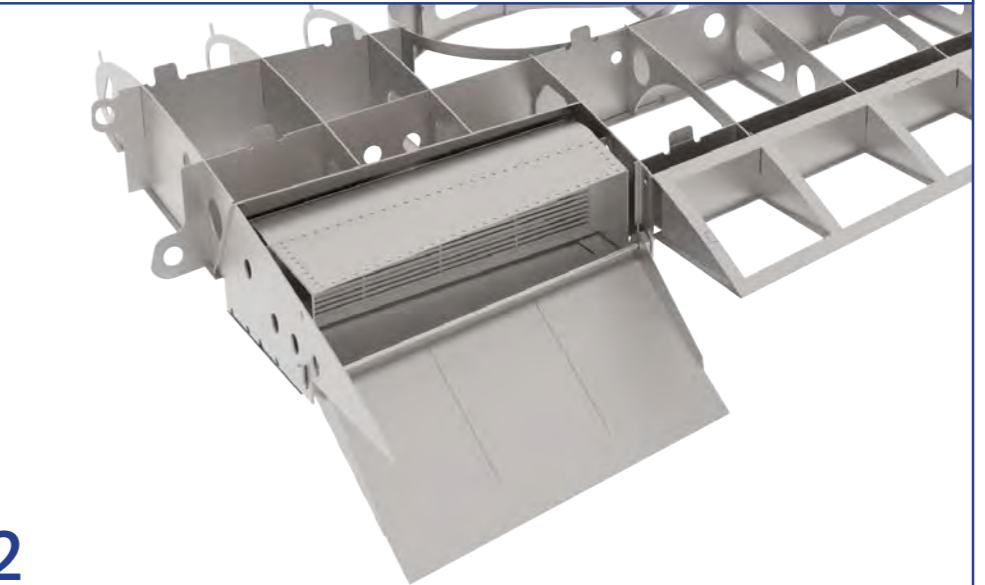
233



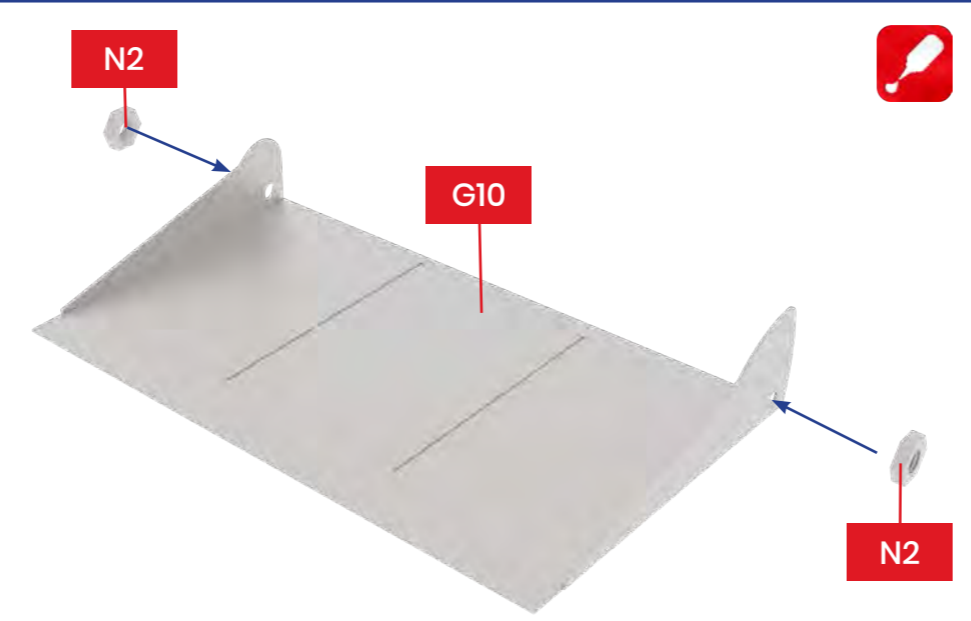
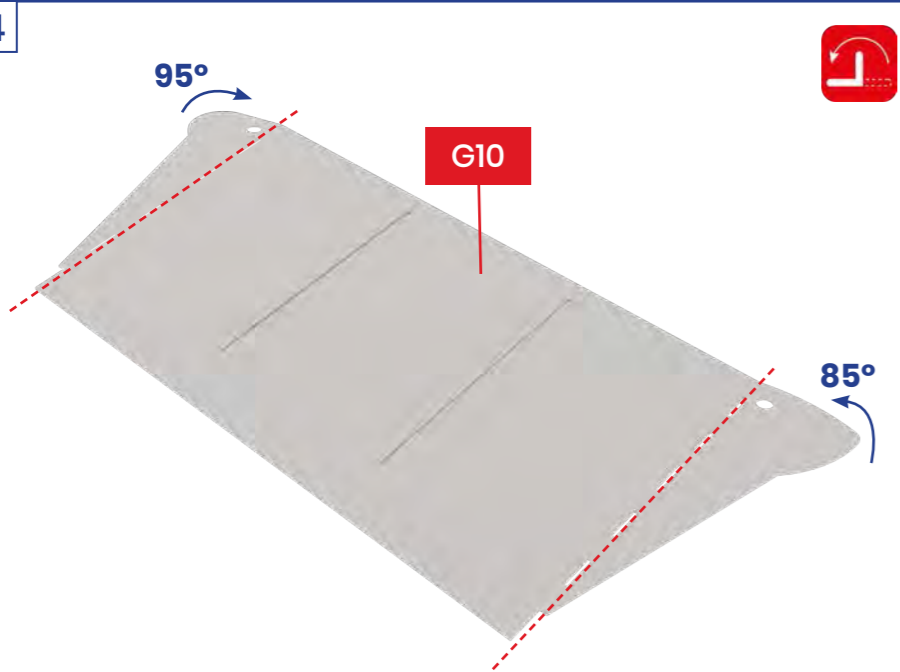
1



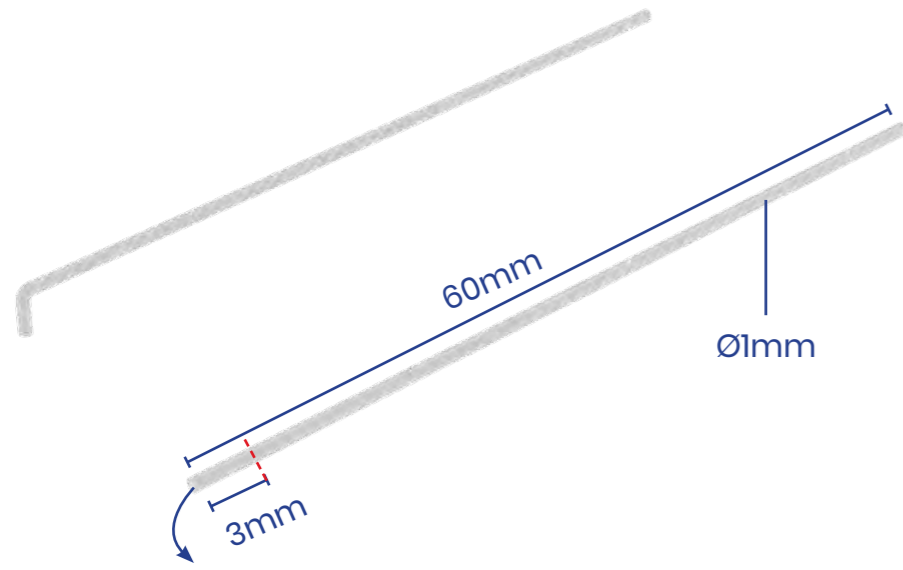
2



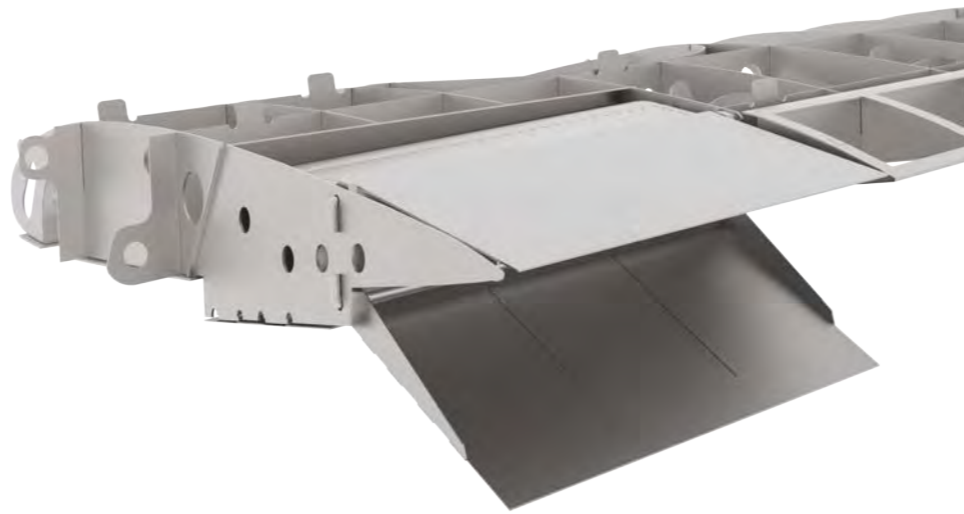
234



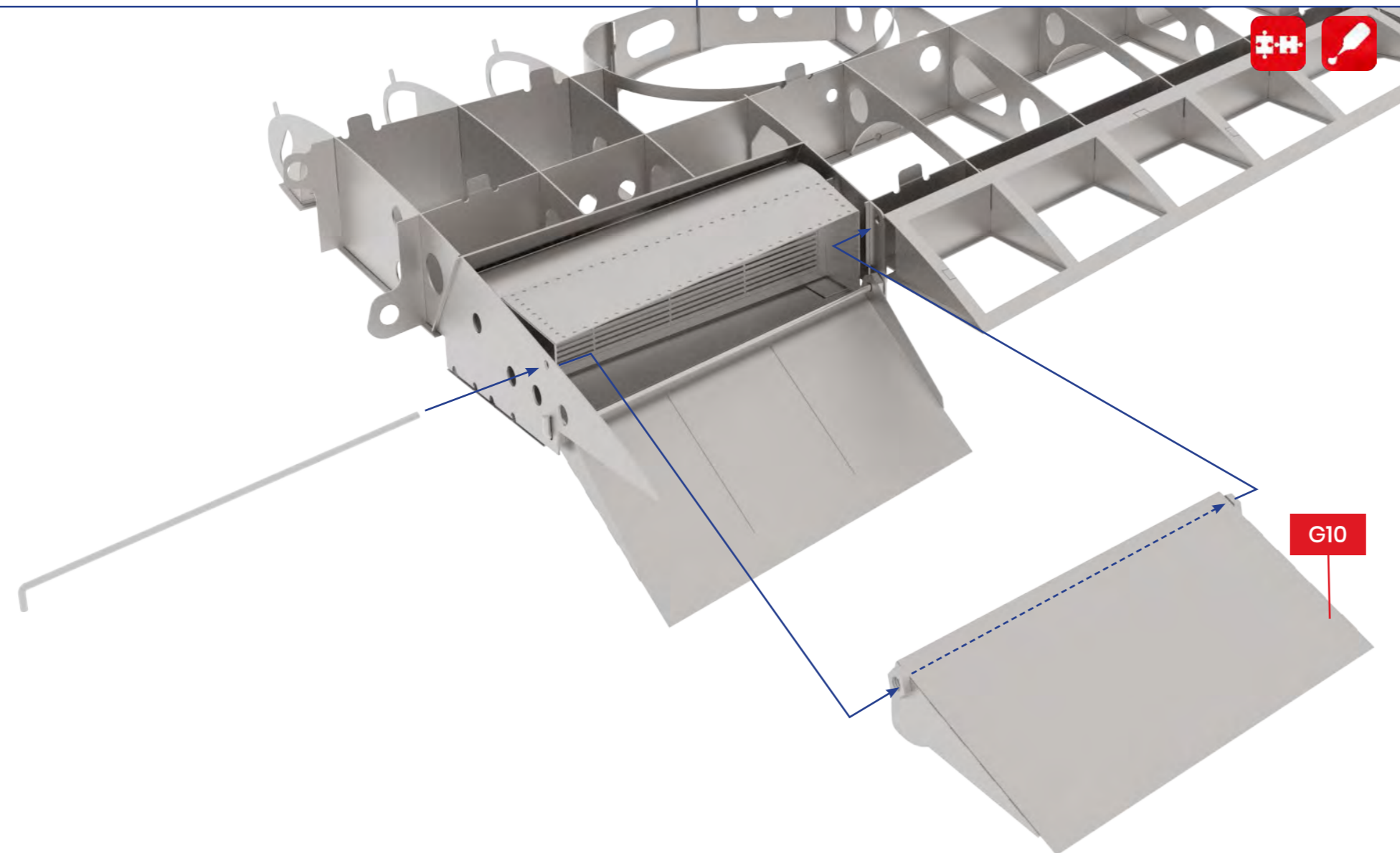
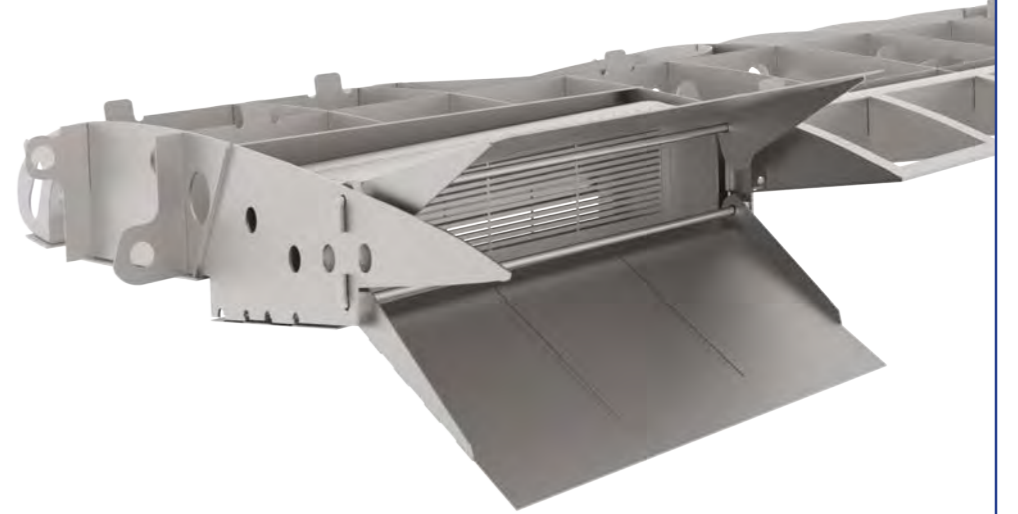
235



1

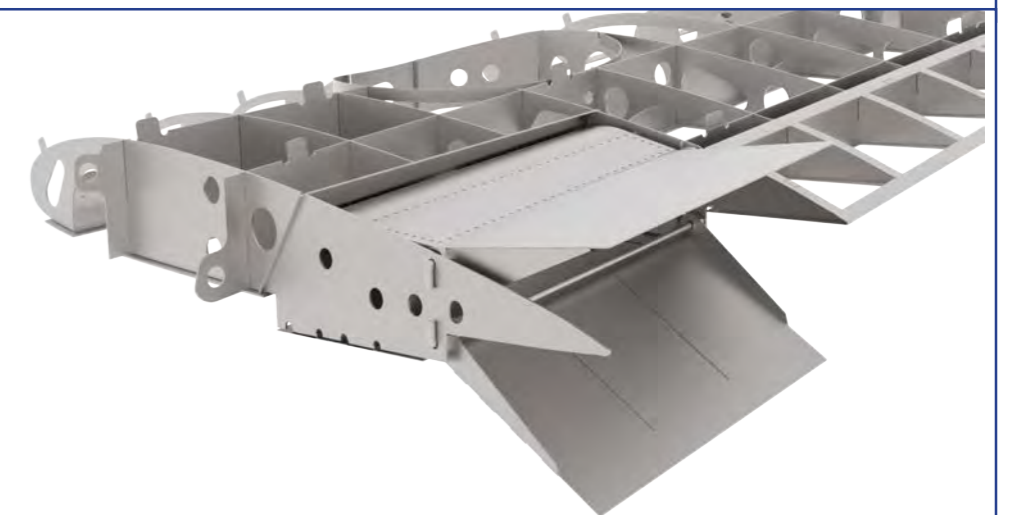


2

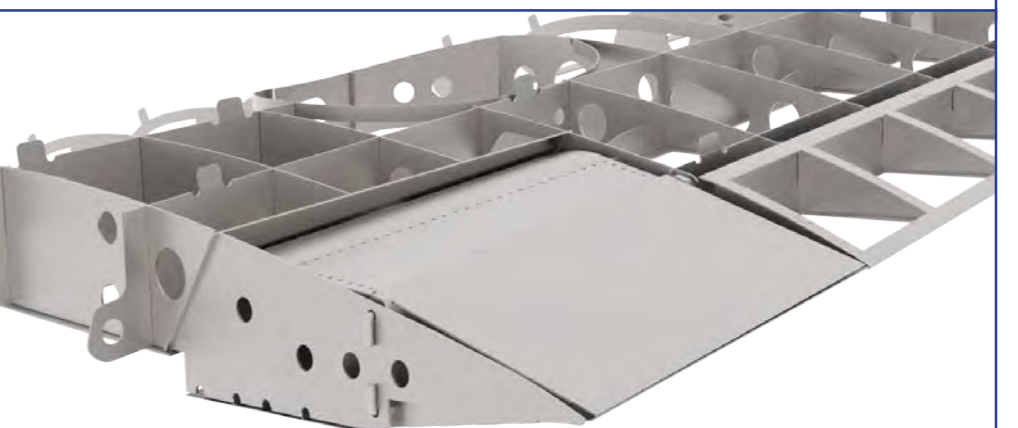


G10

3

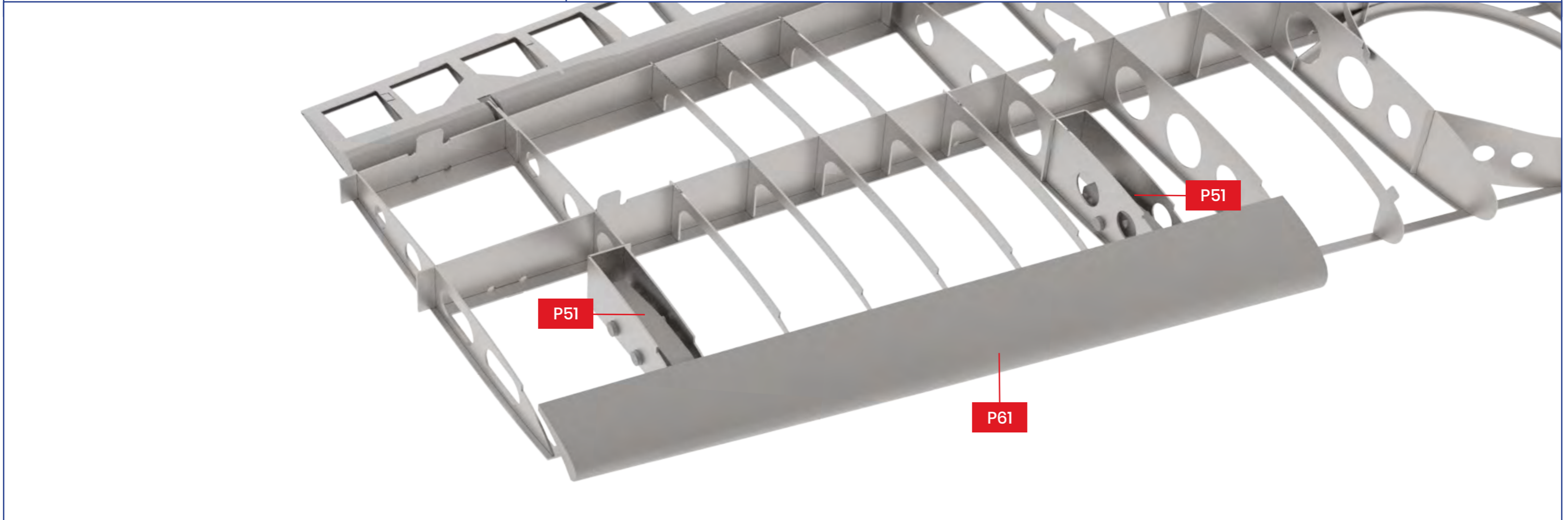
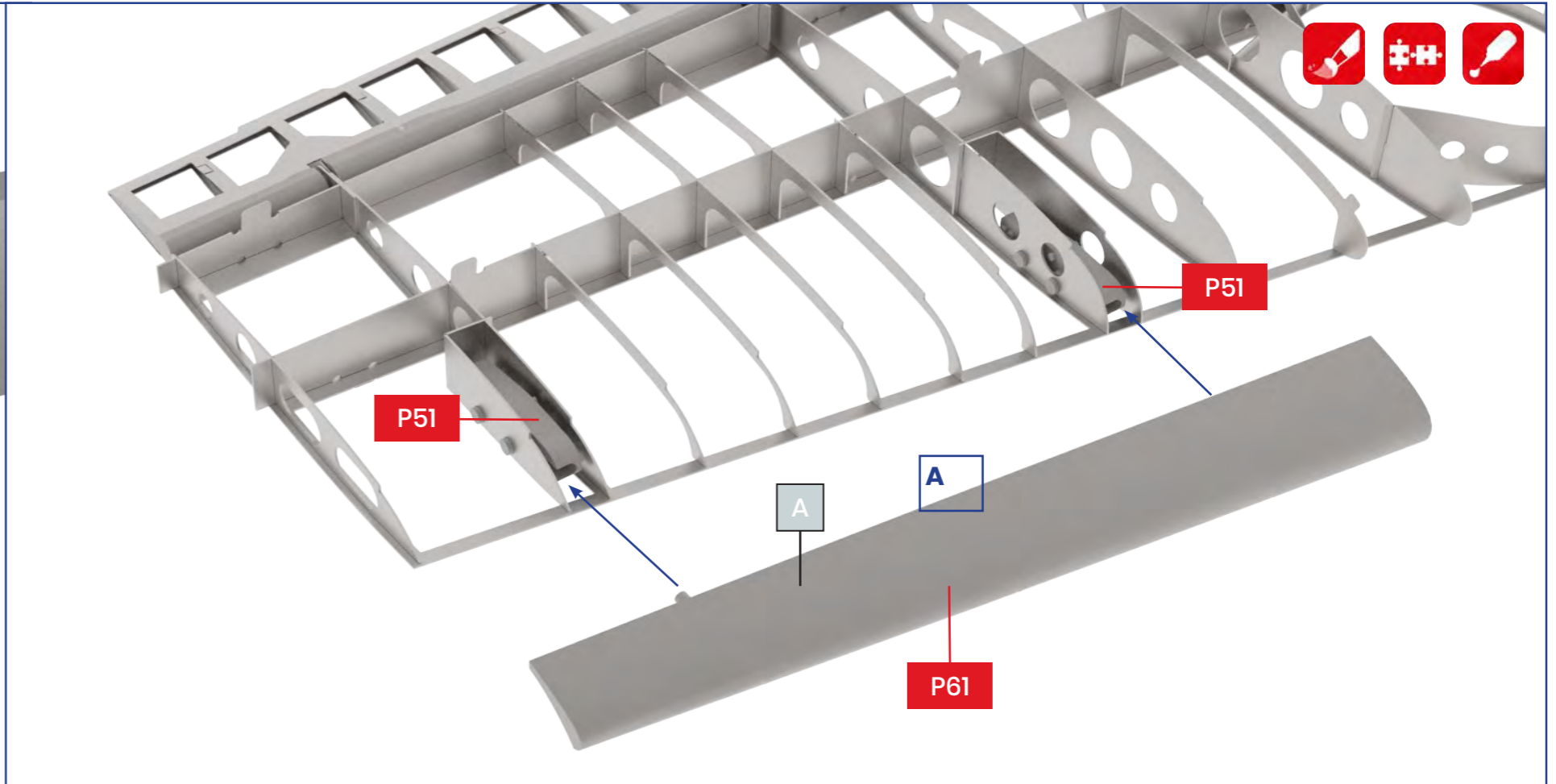
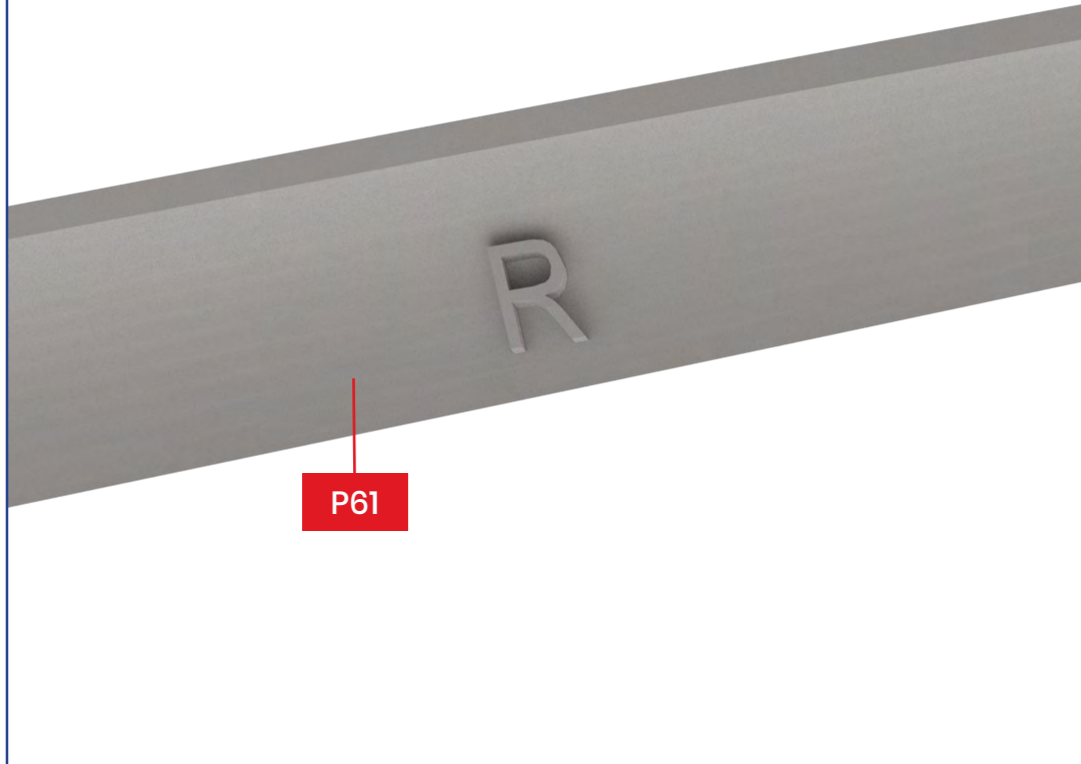


4

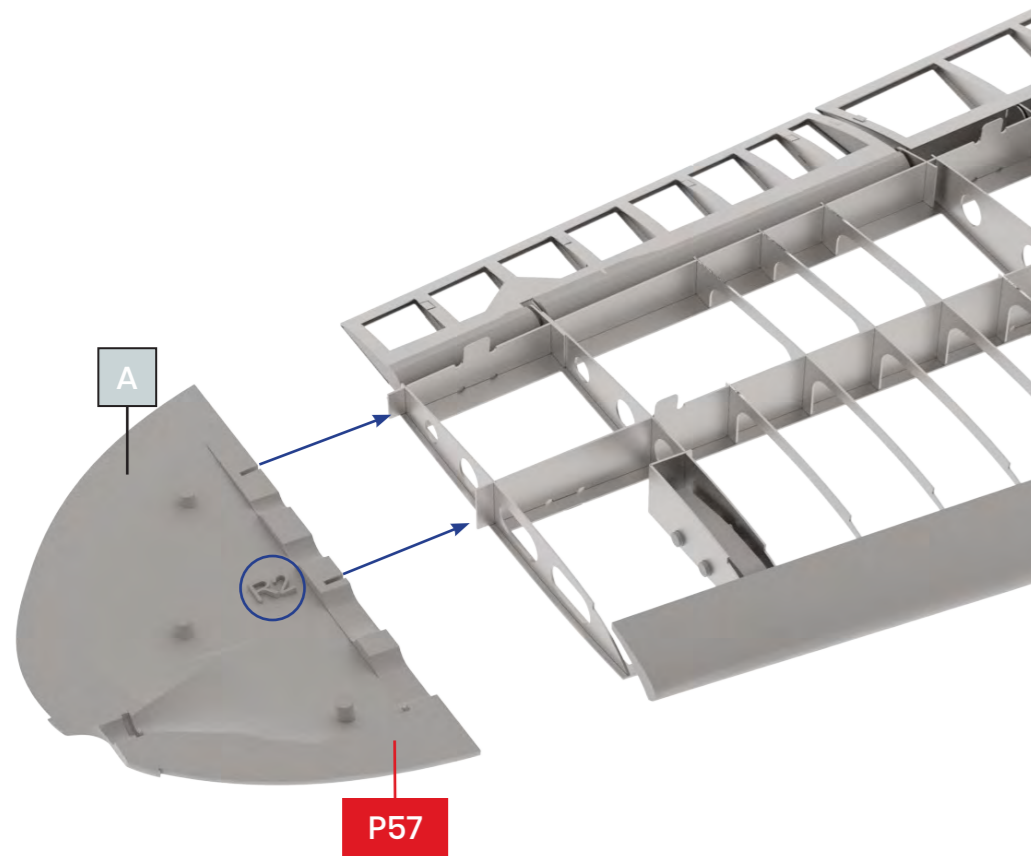


236

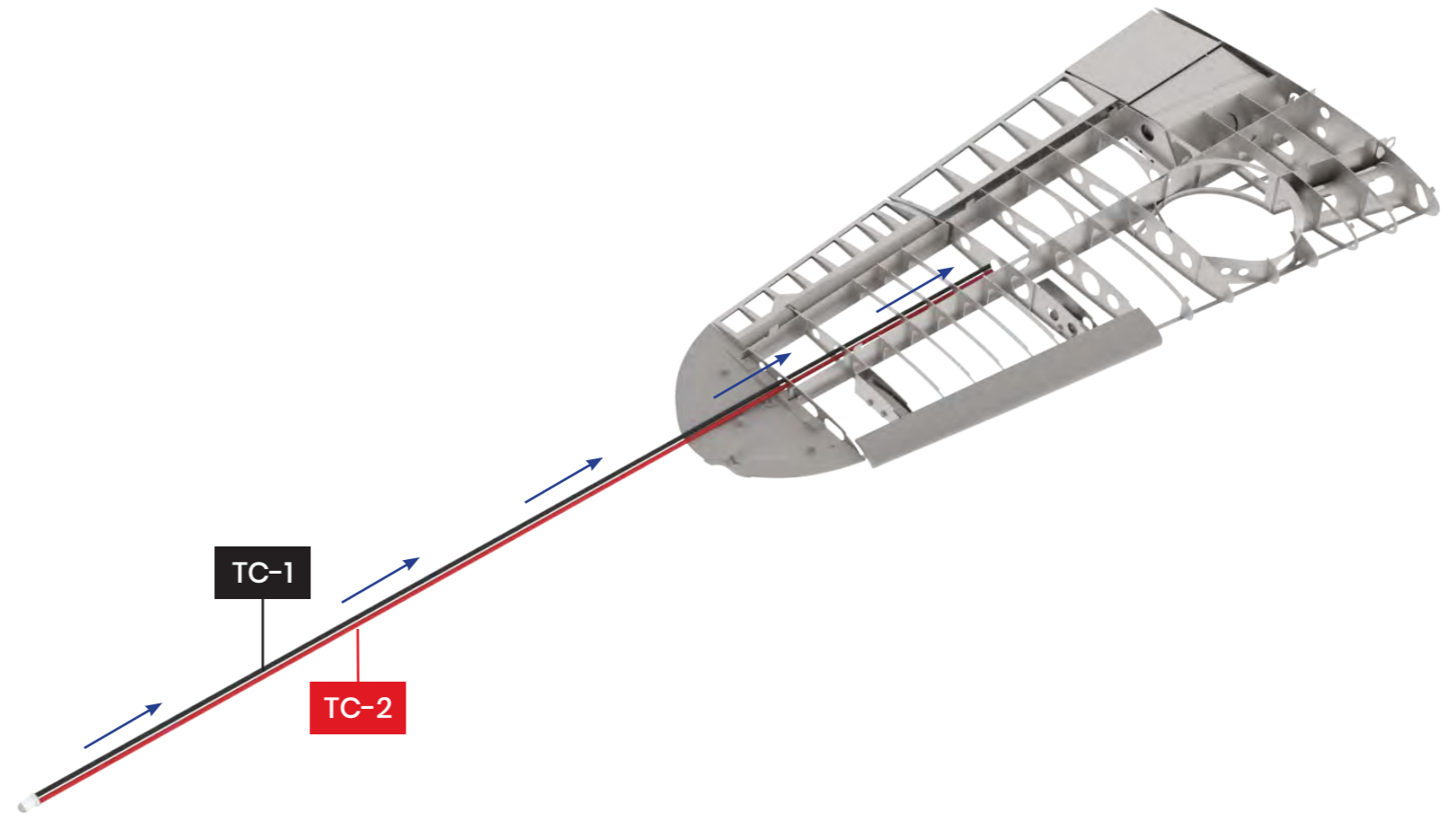
A



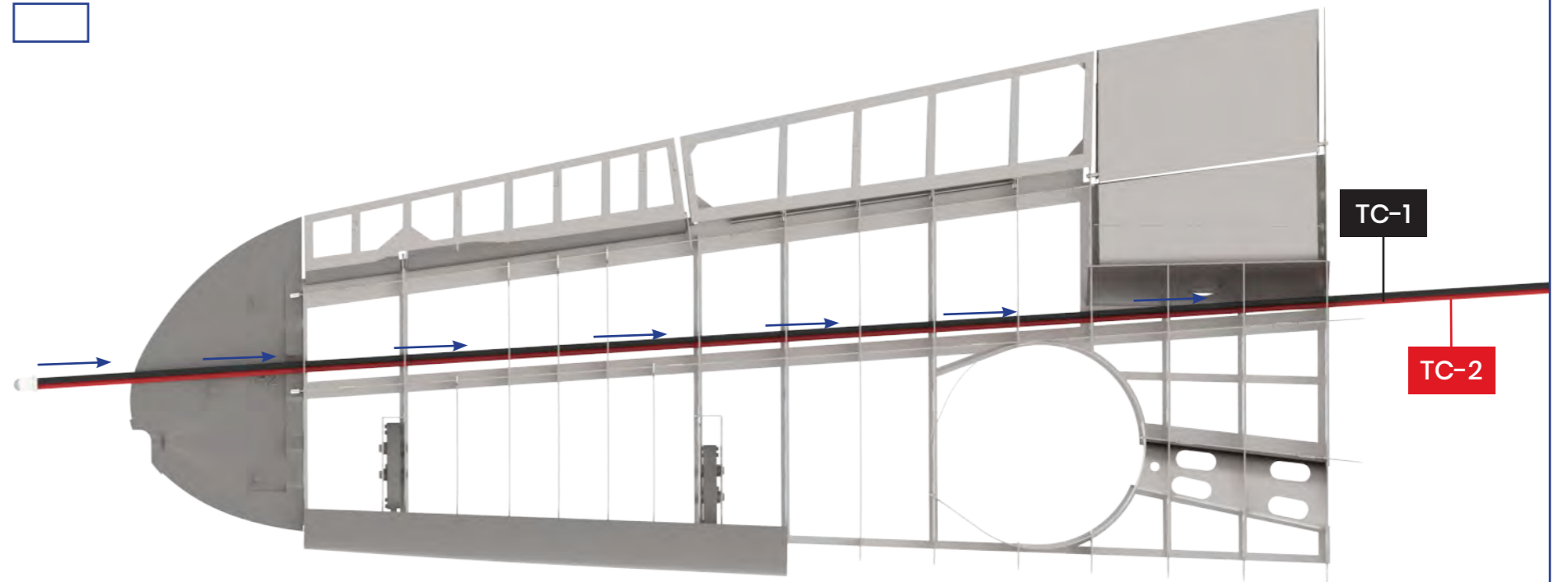
237



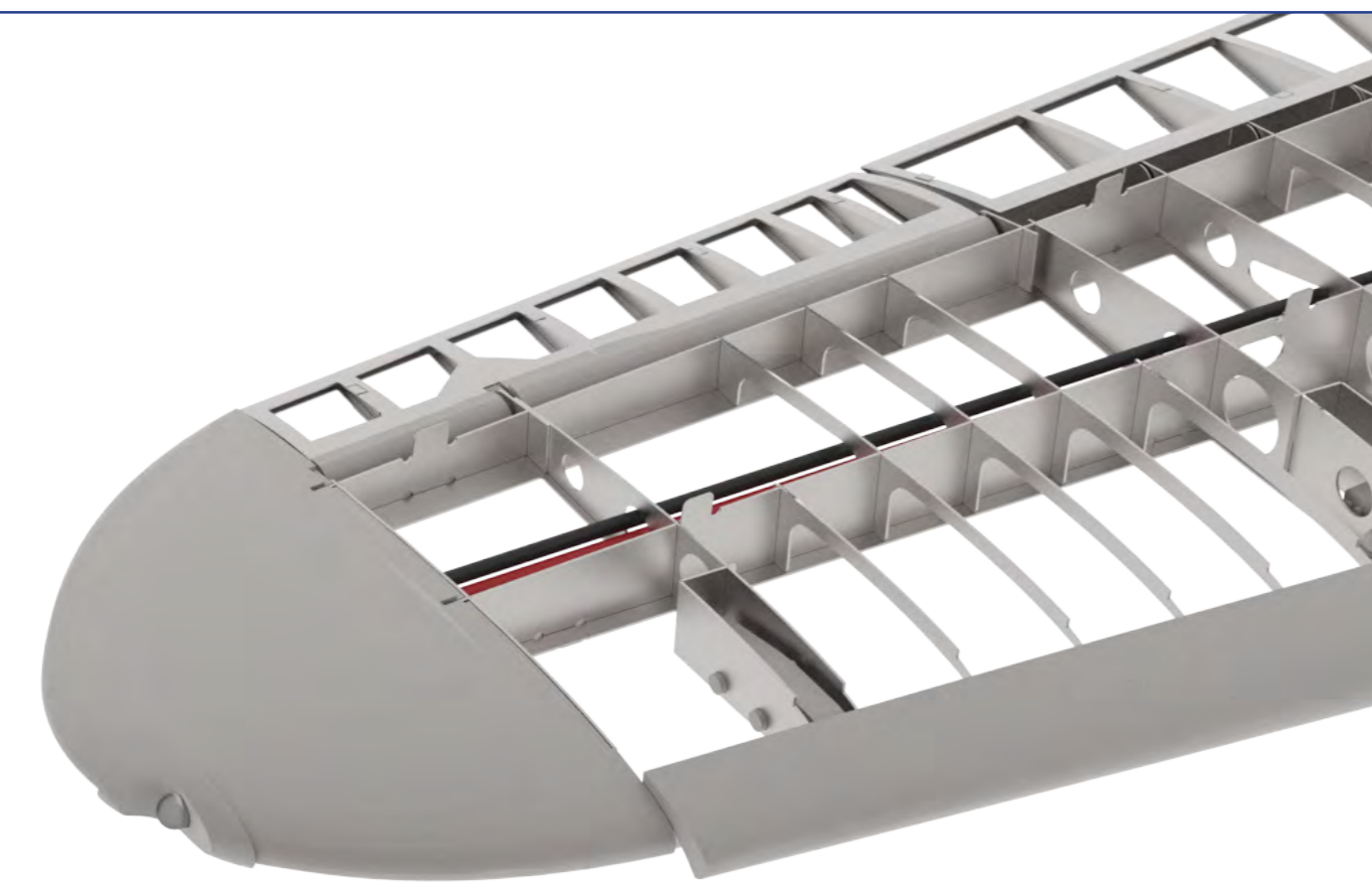
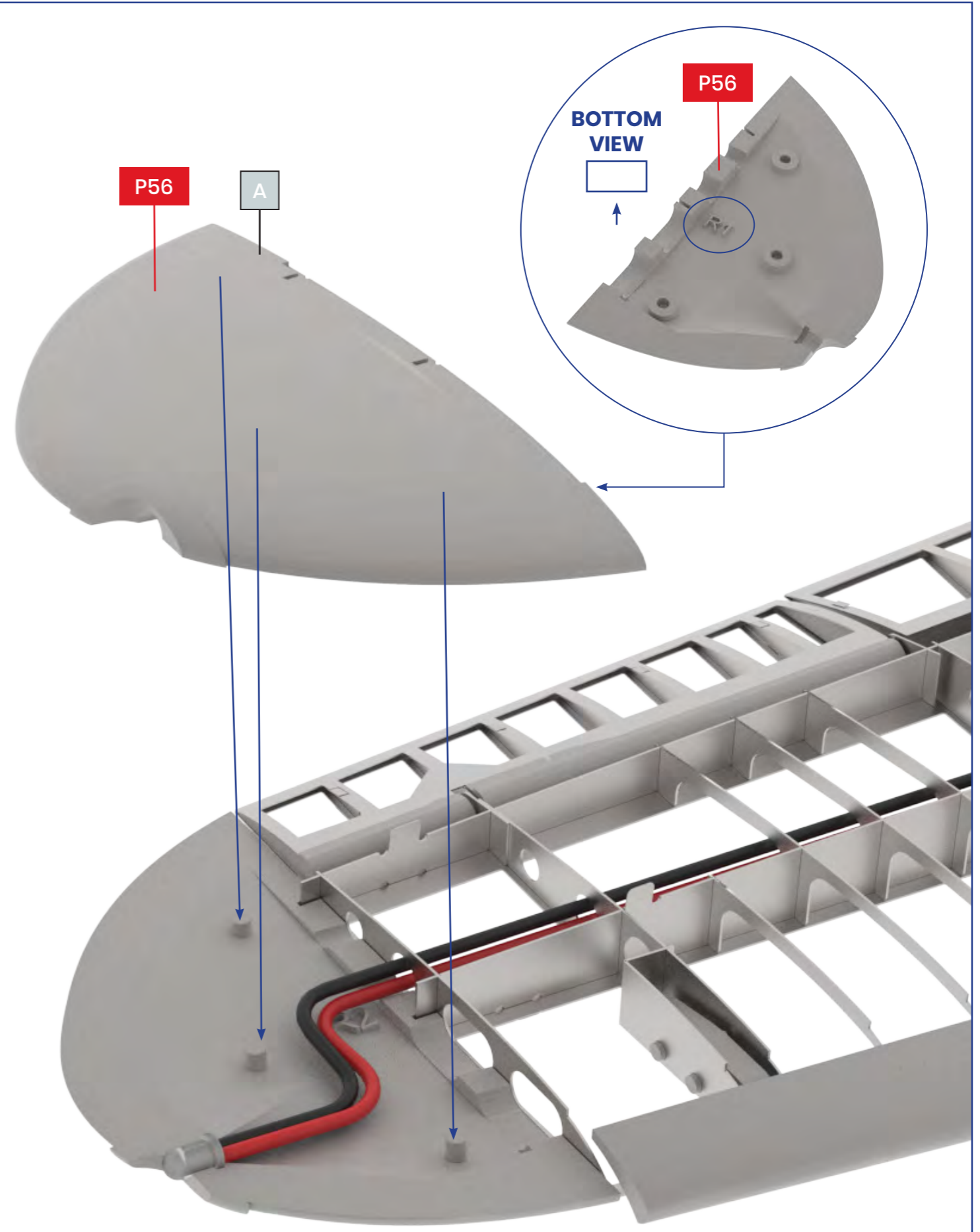
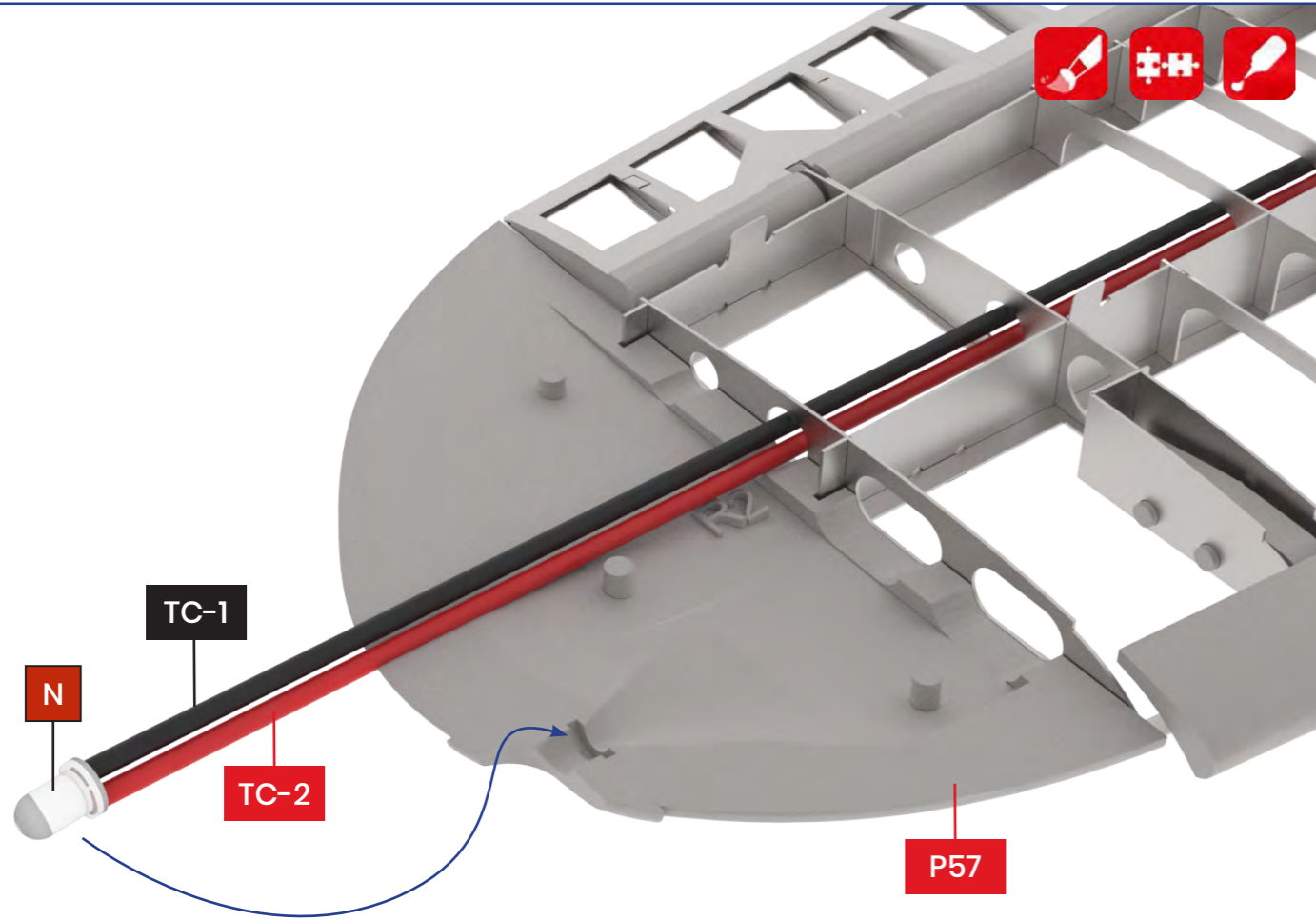
238



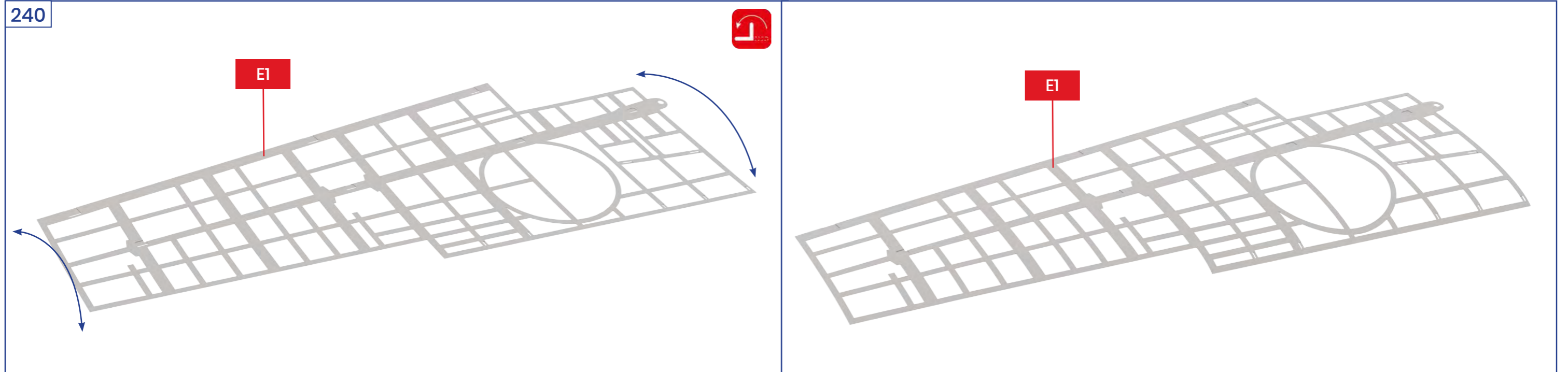
TOP VIEW
↓
□



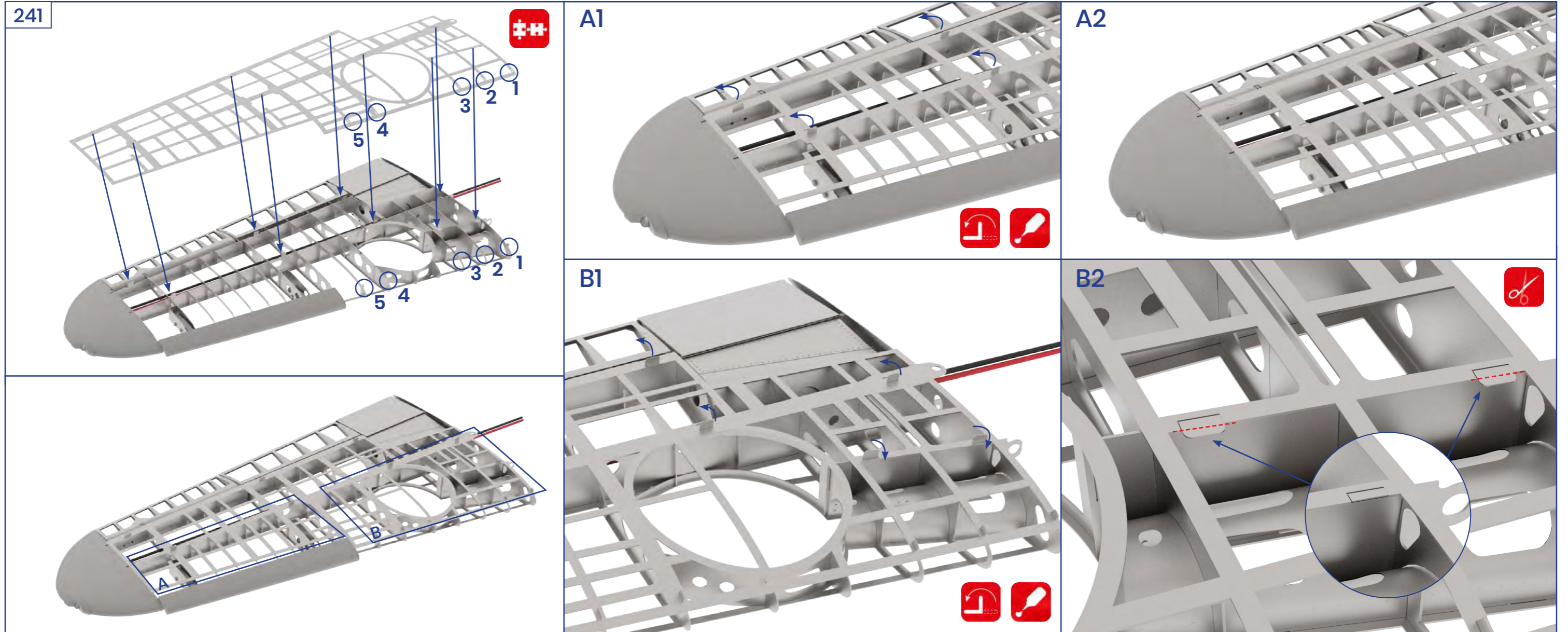
239



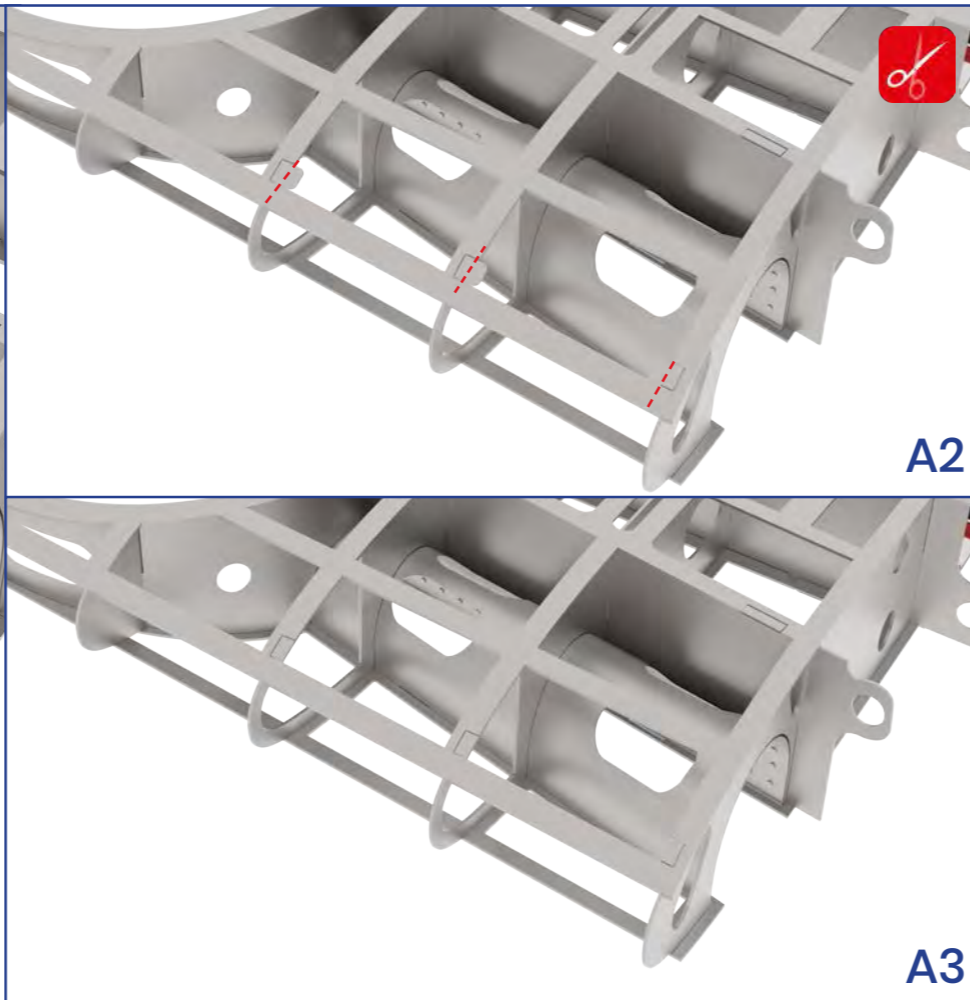
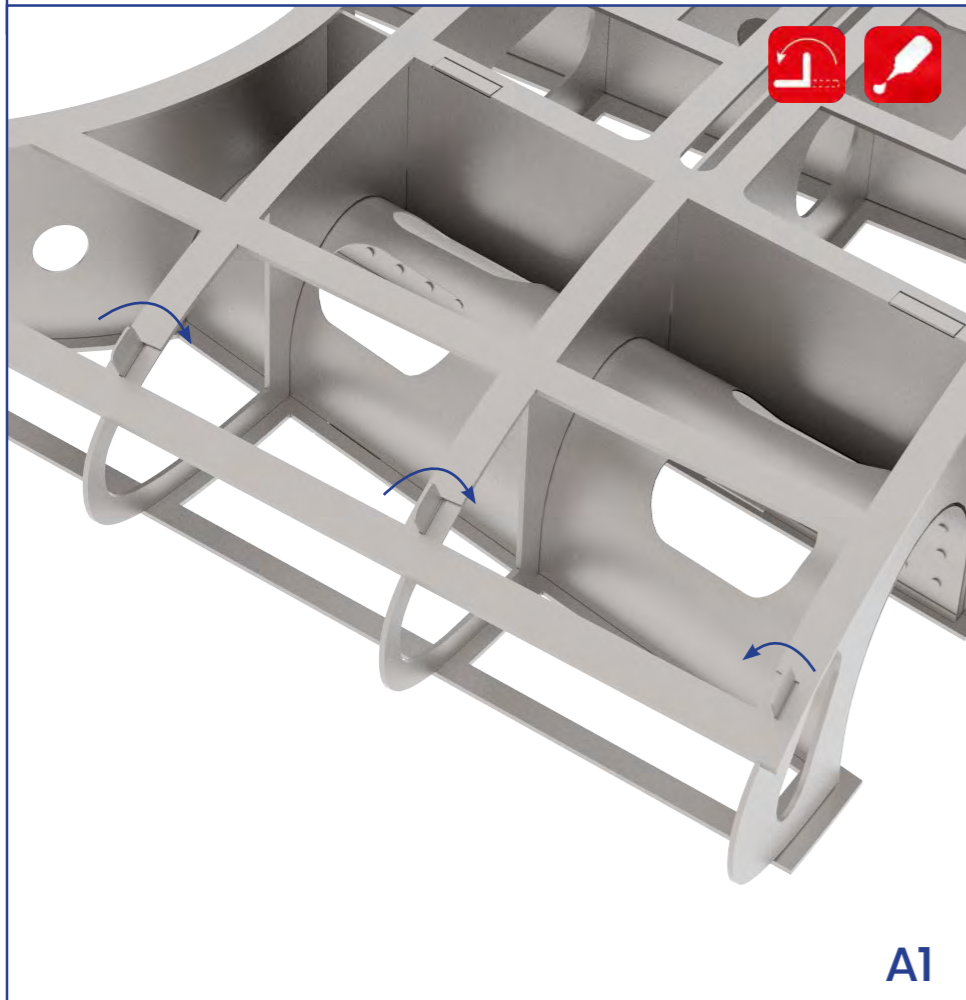
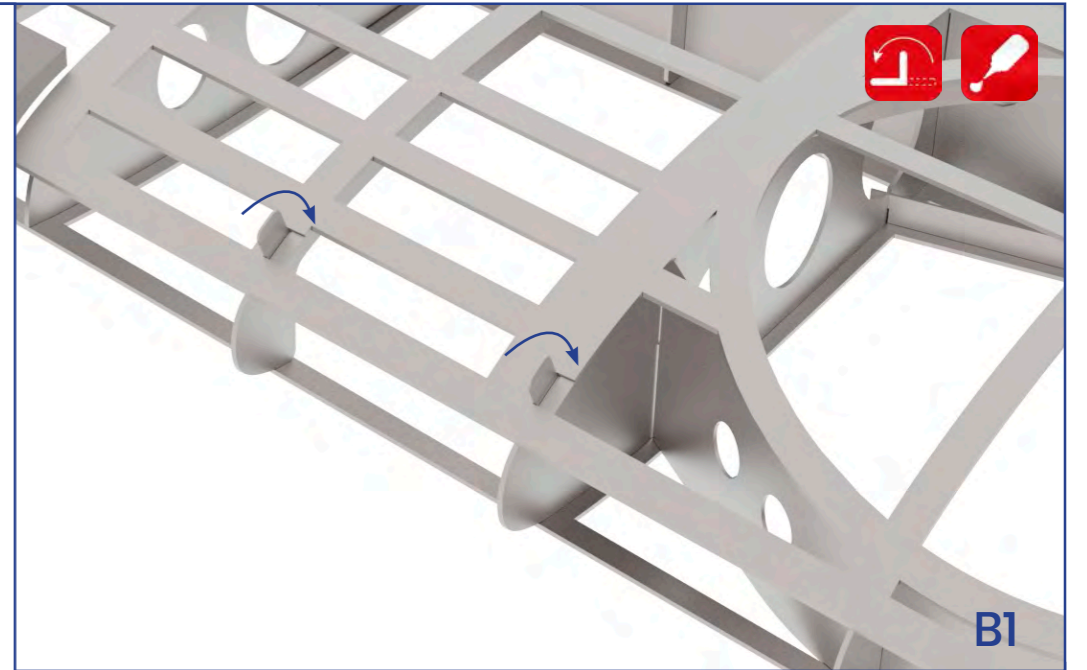
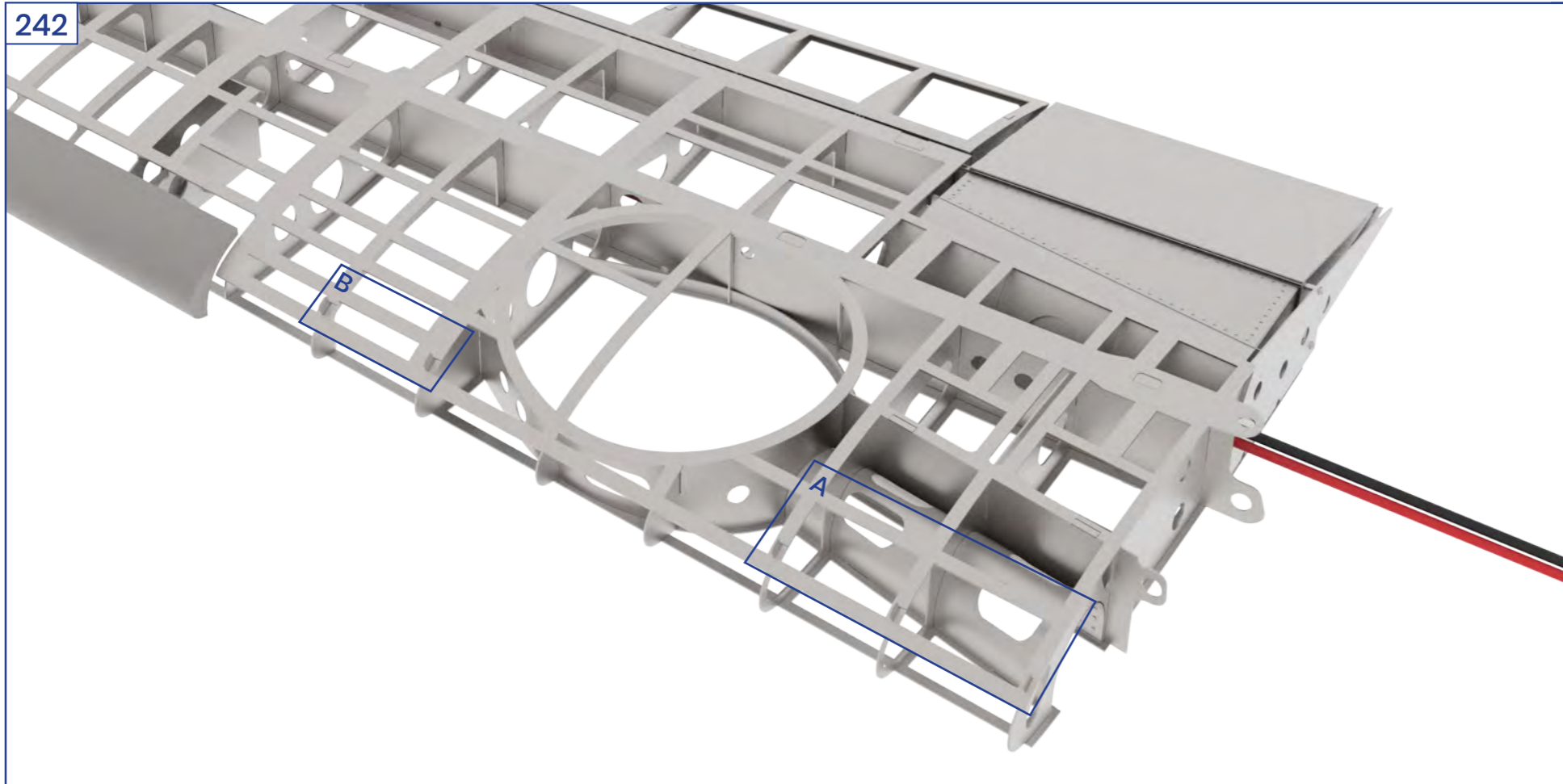
240



241



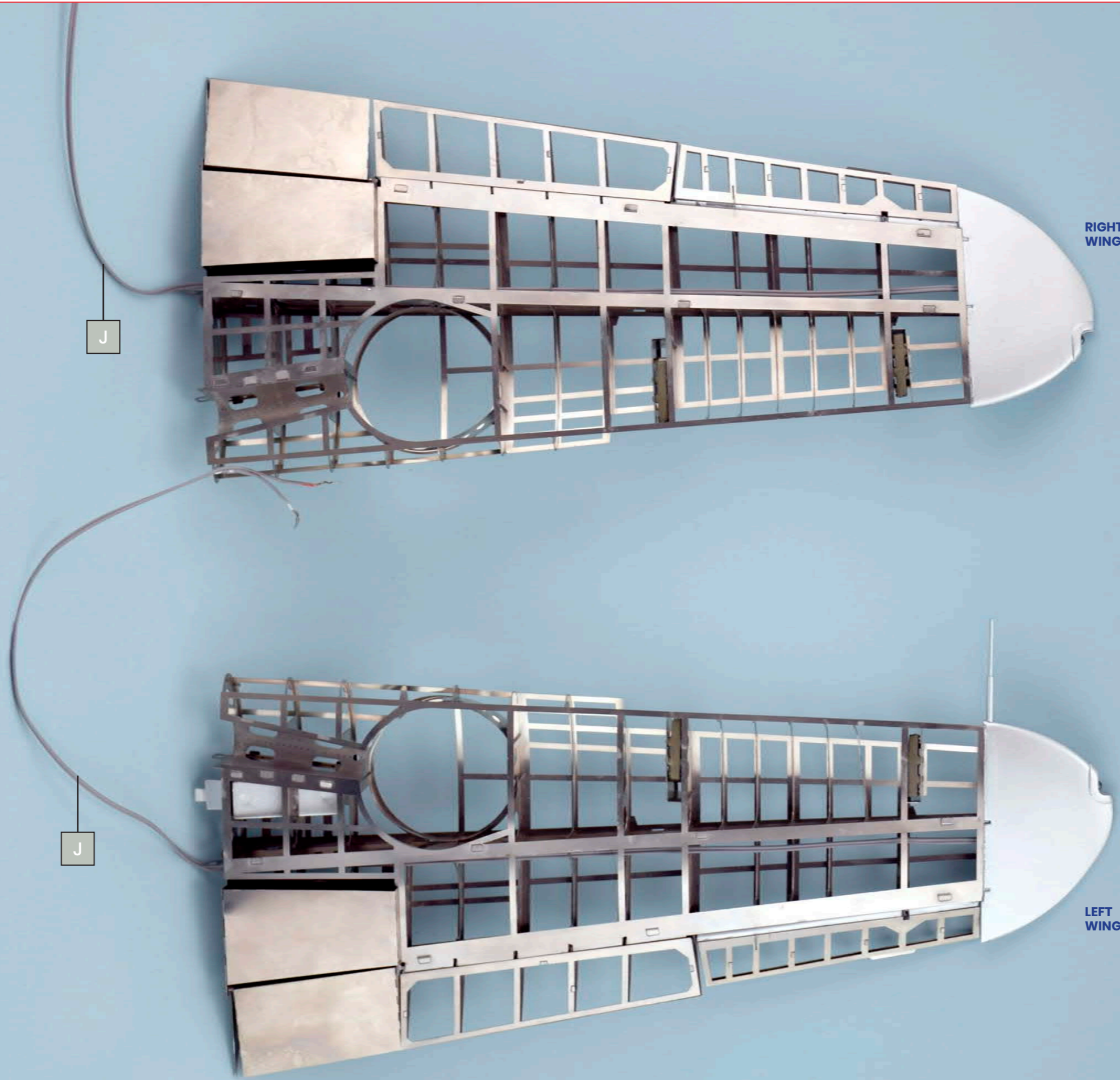
242



243



**BOTTOM
VIEW**



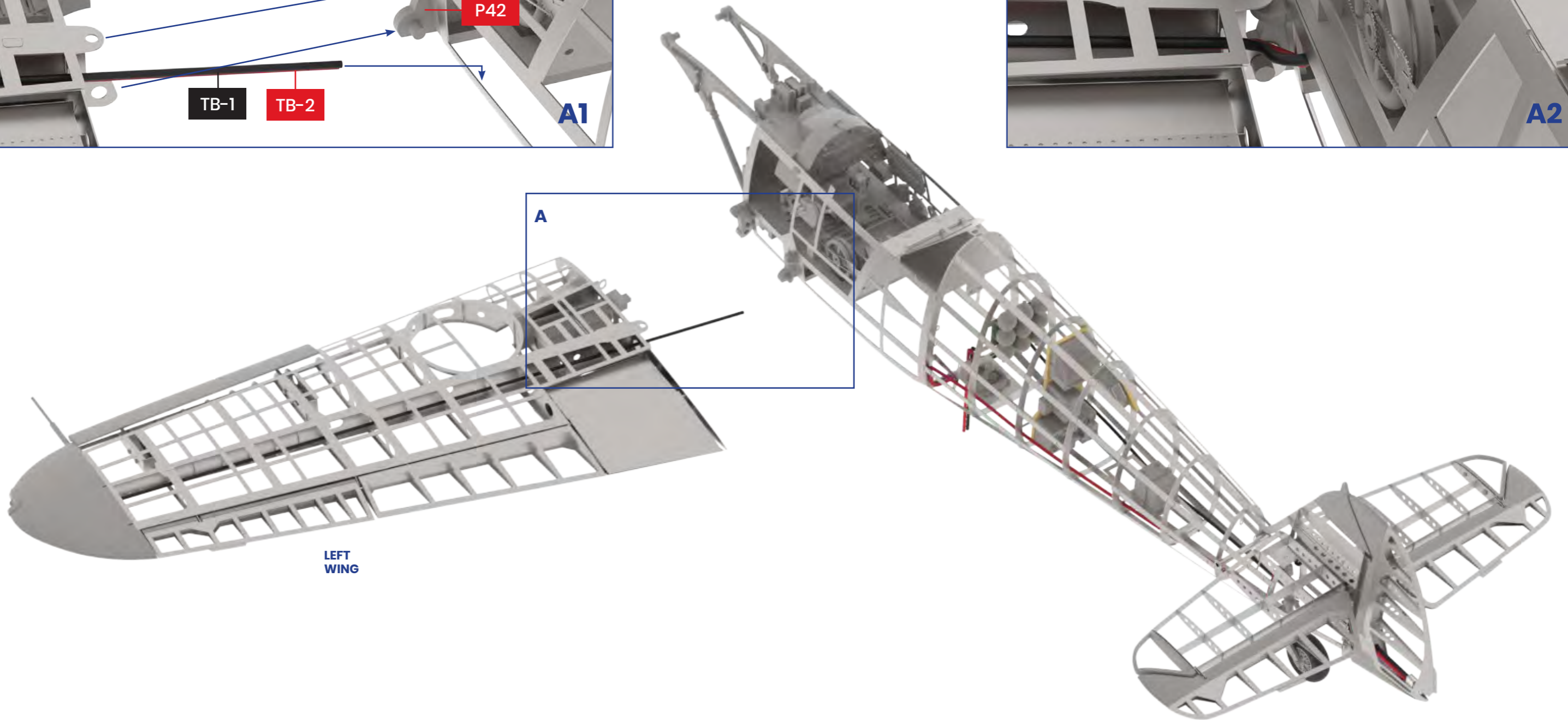
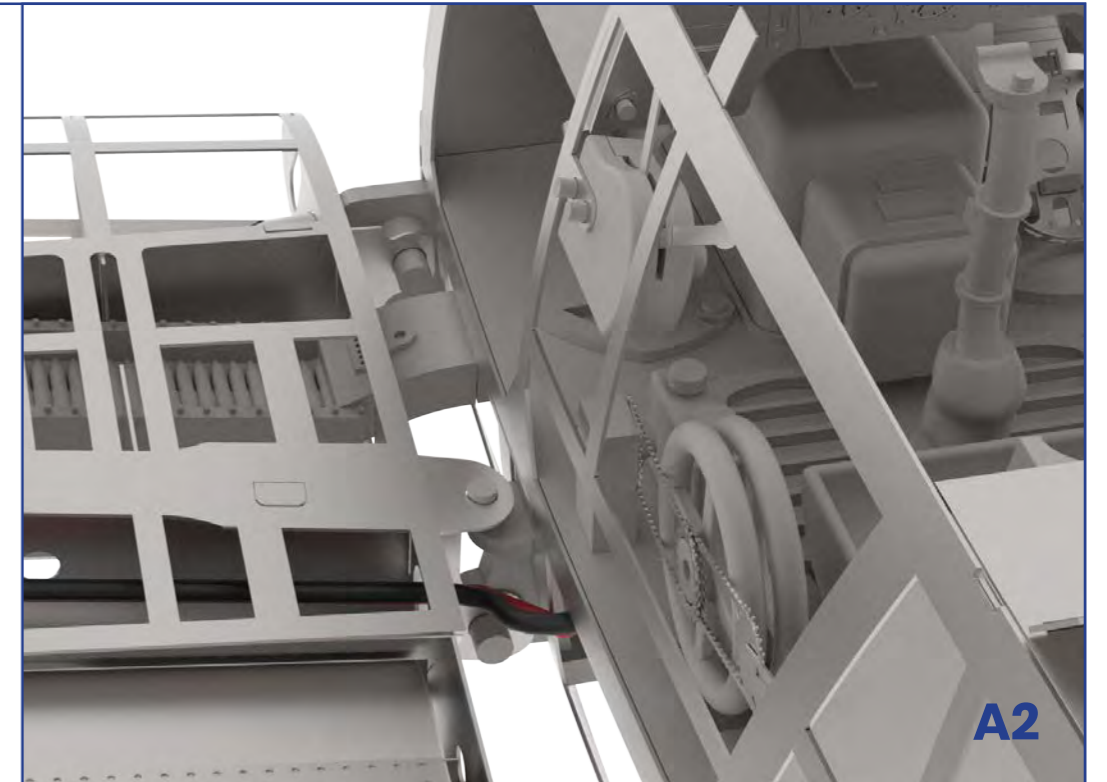
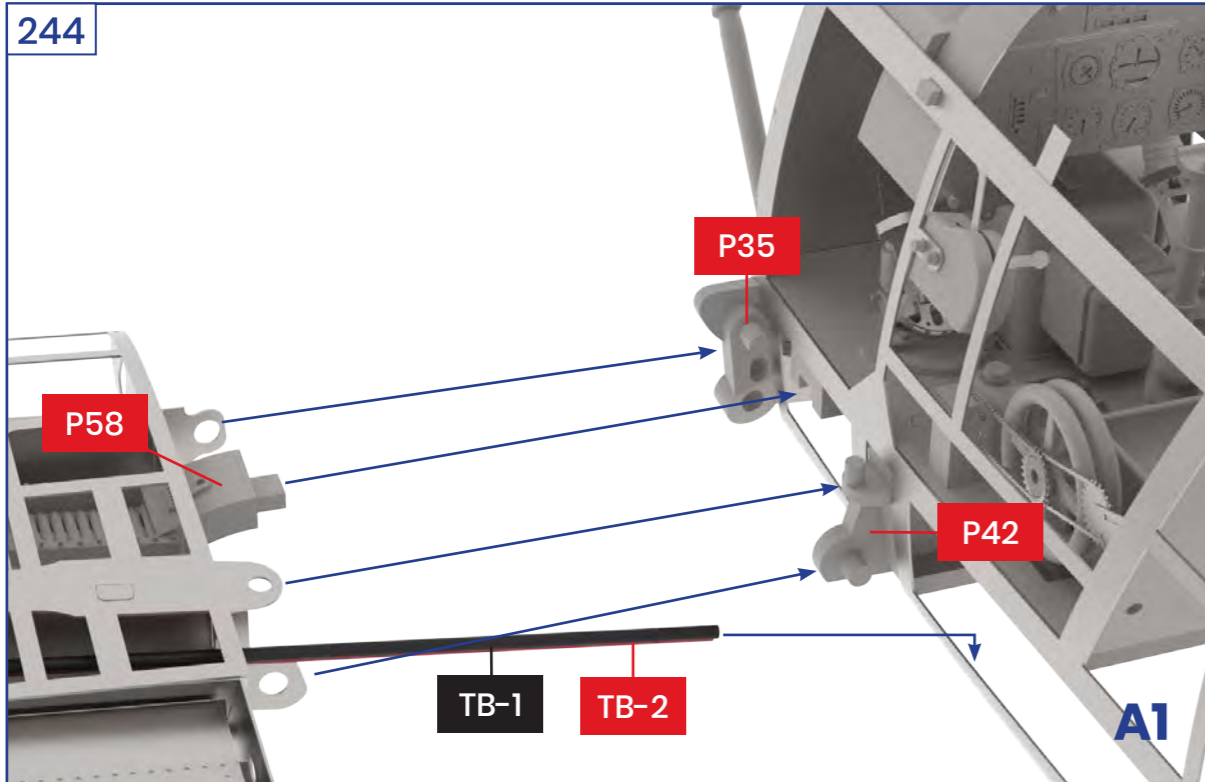
RIGHT
WING

LEFT
WING

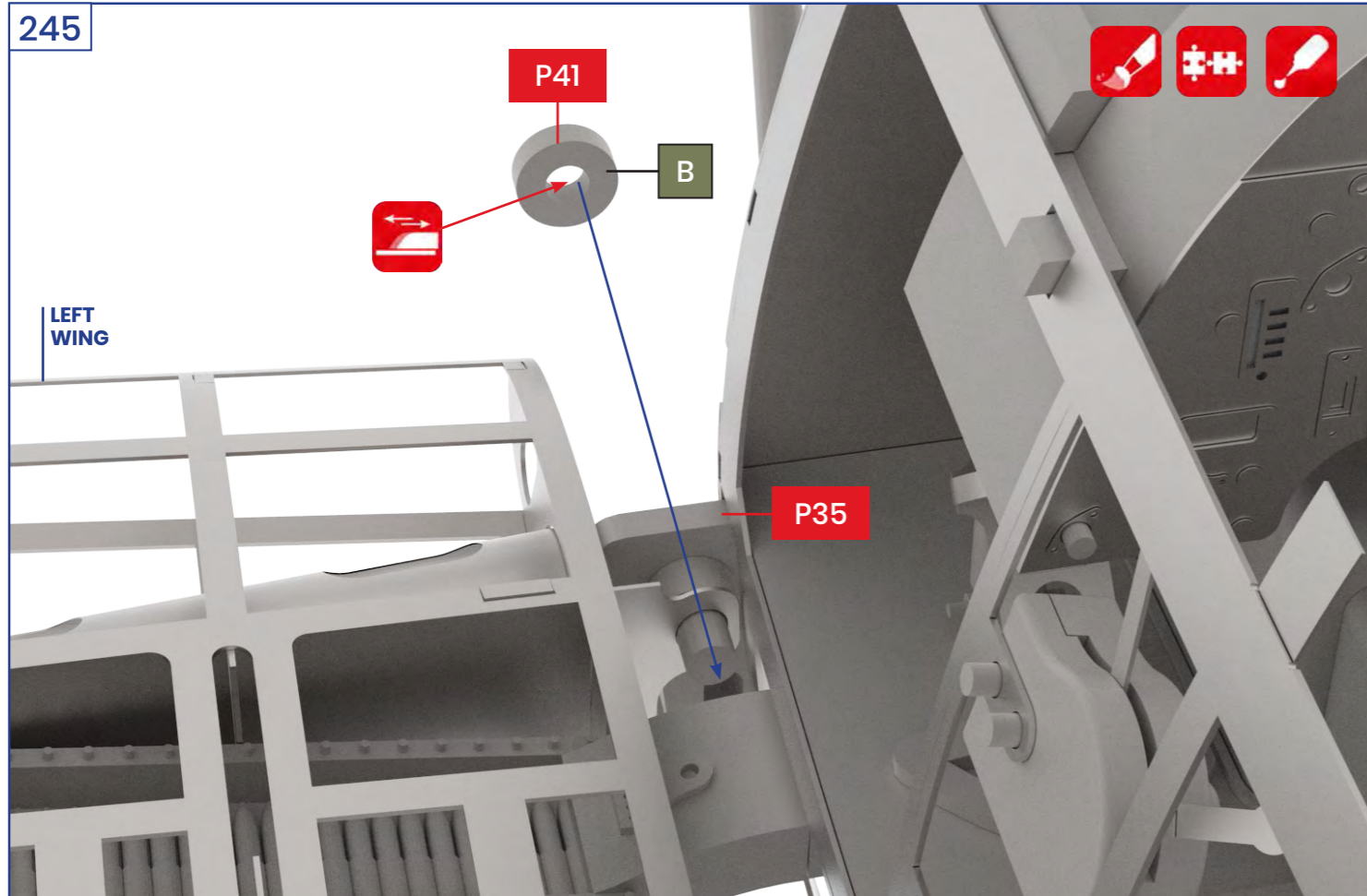
J

J

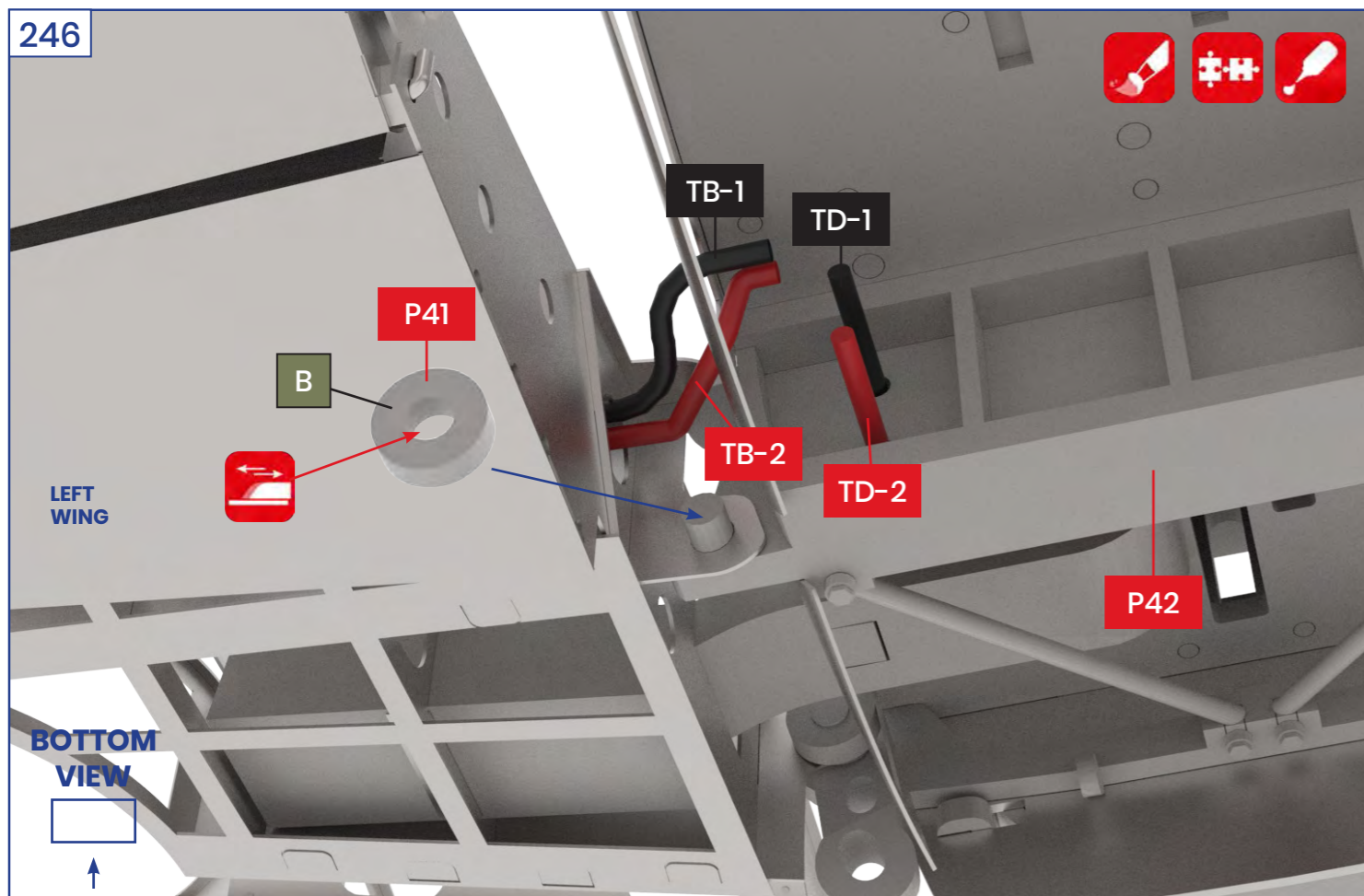
244



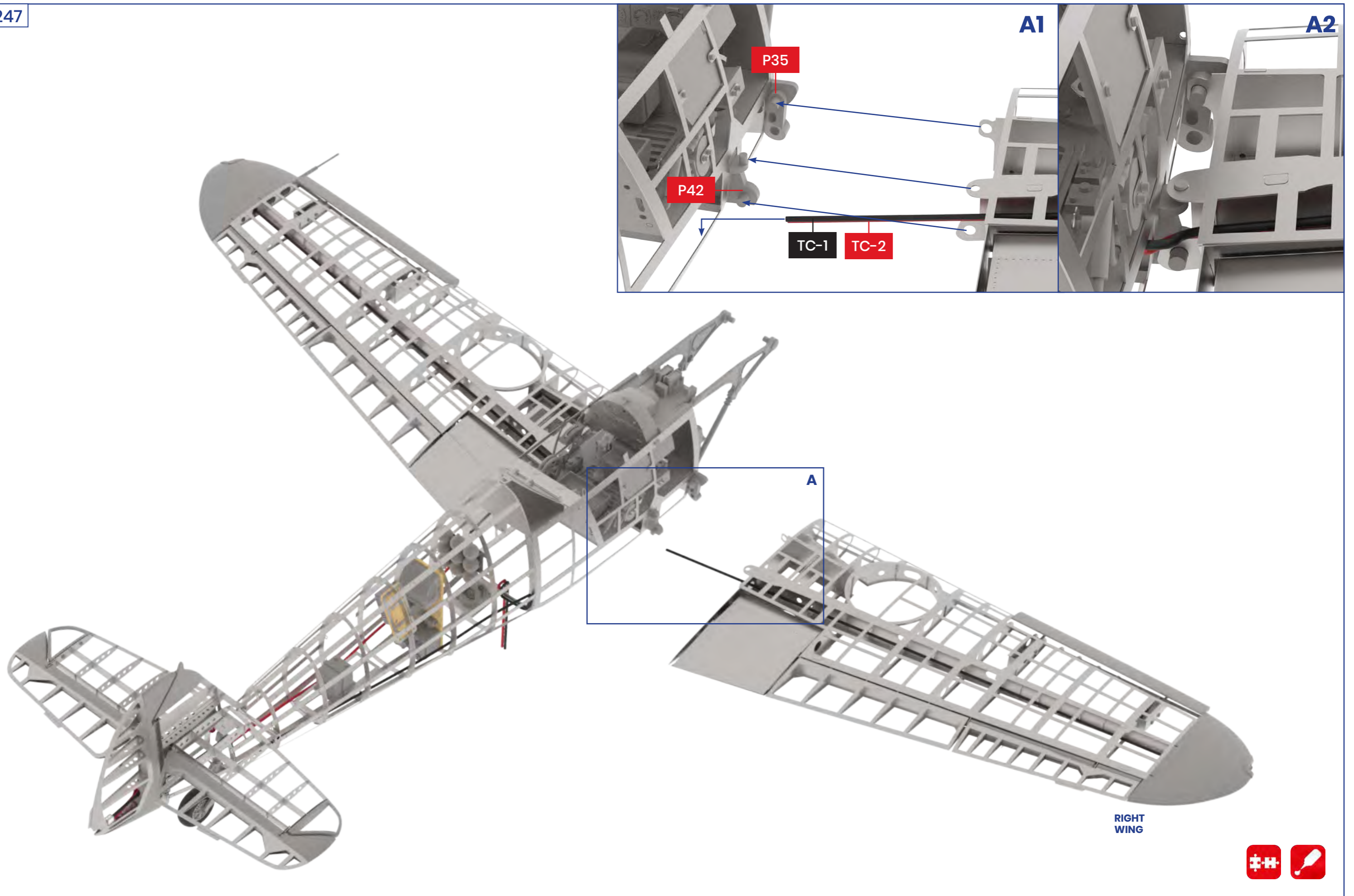
245



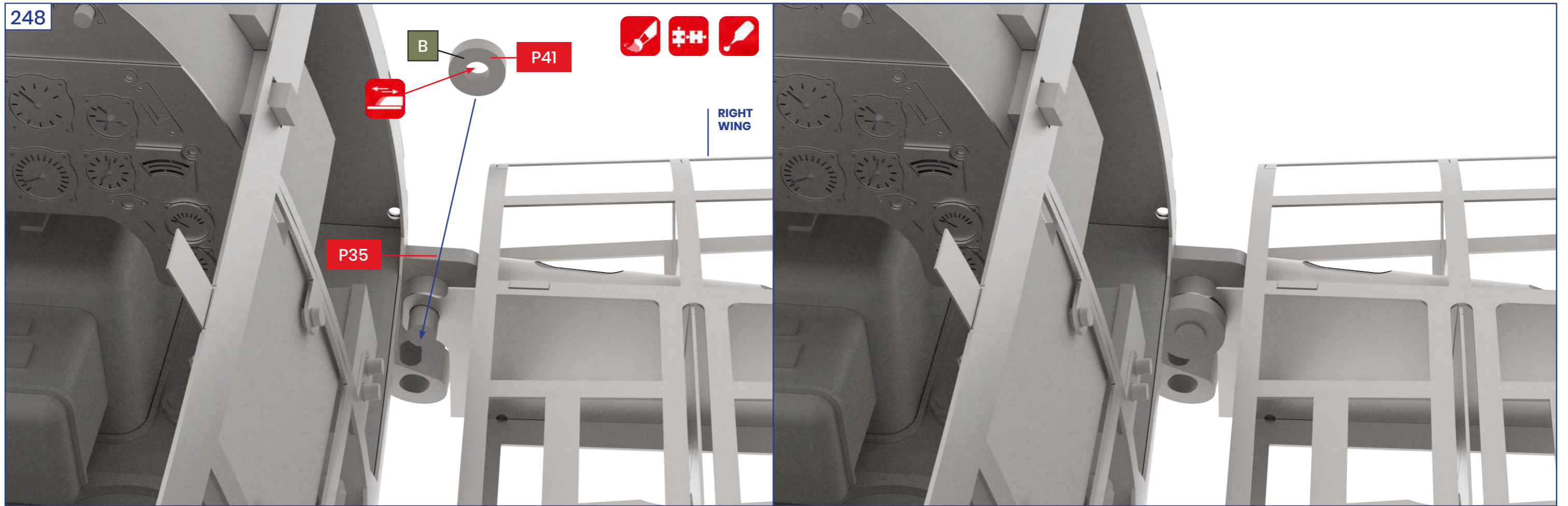
246



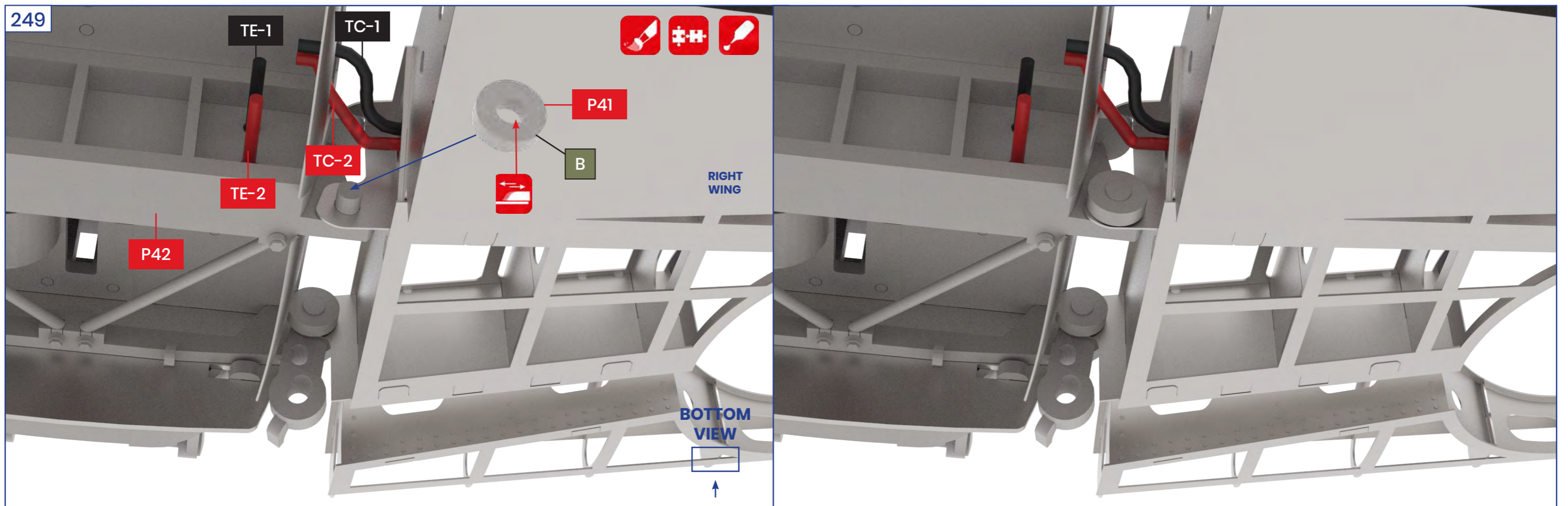
247



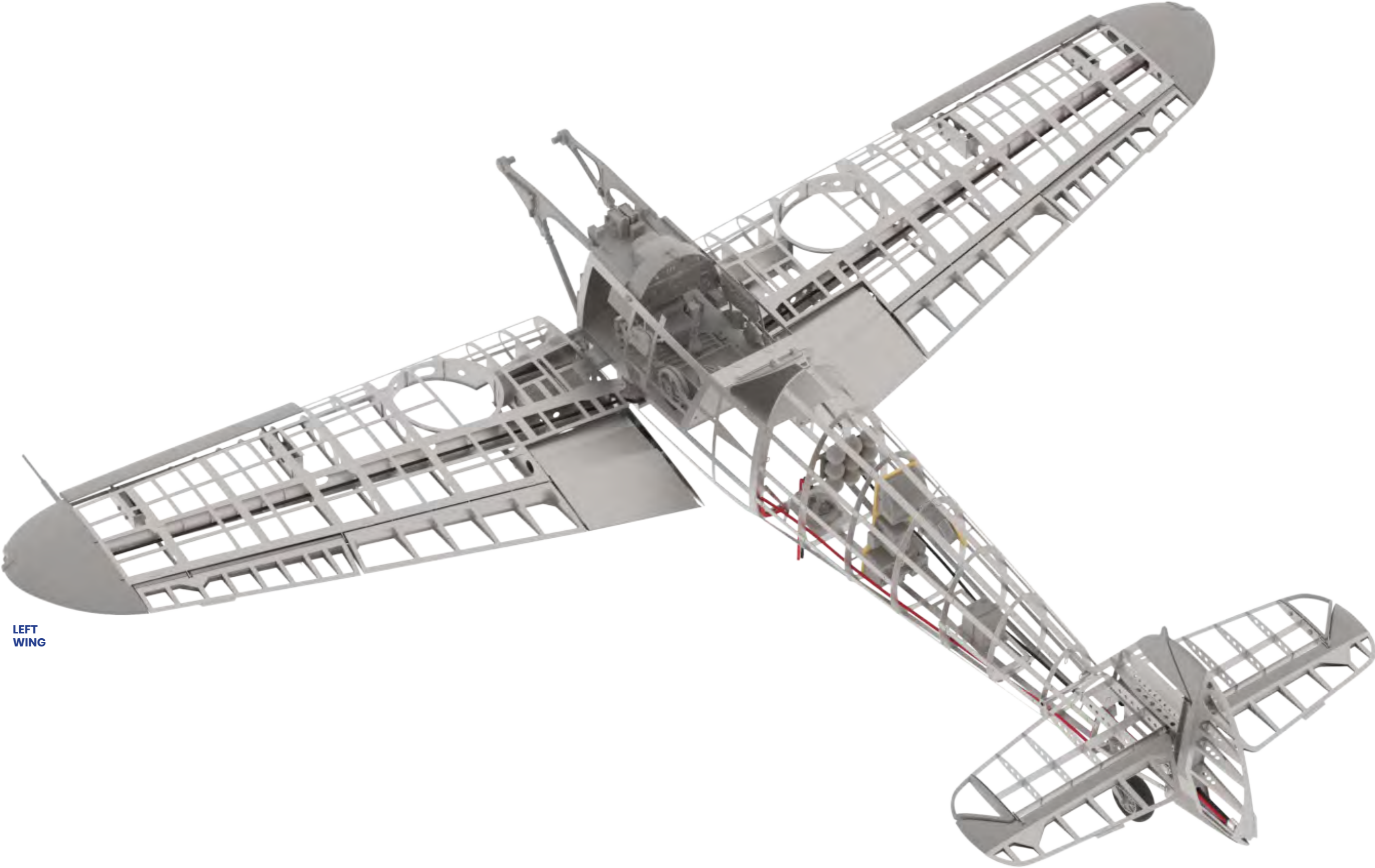
248



249

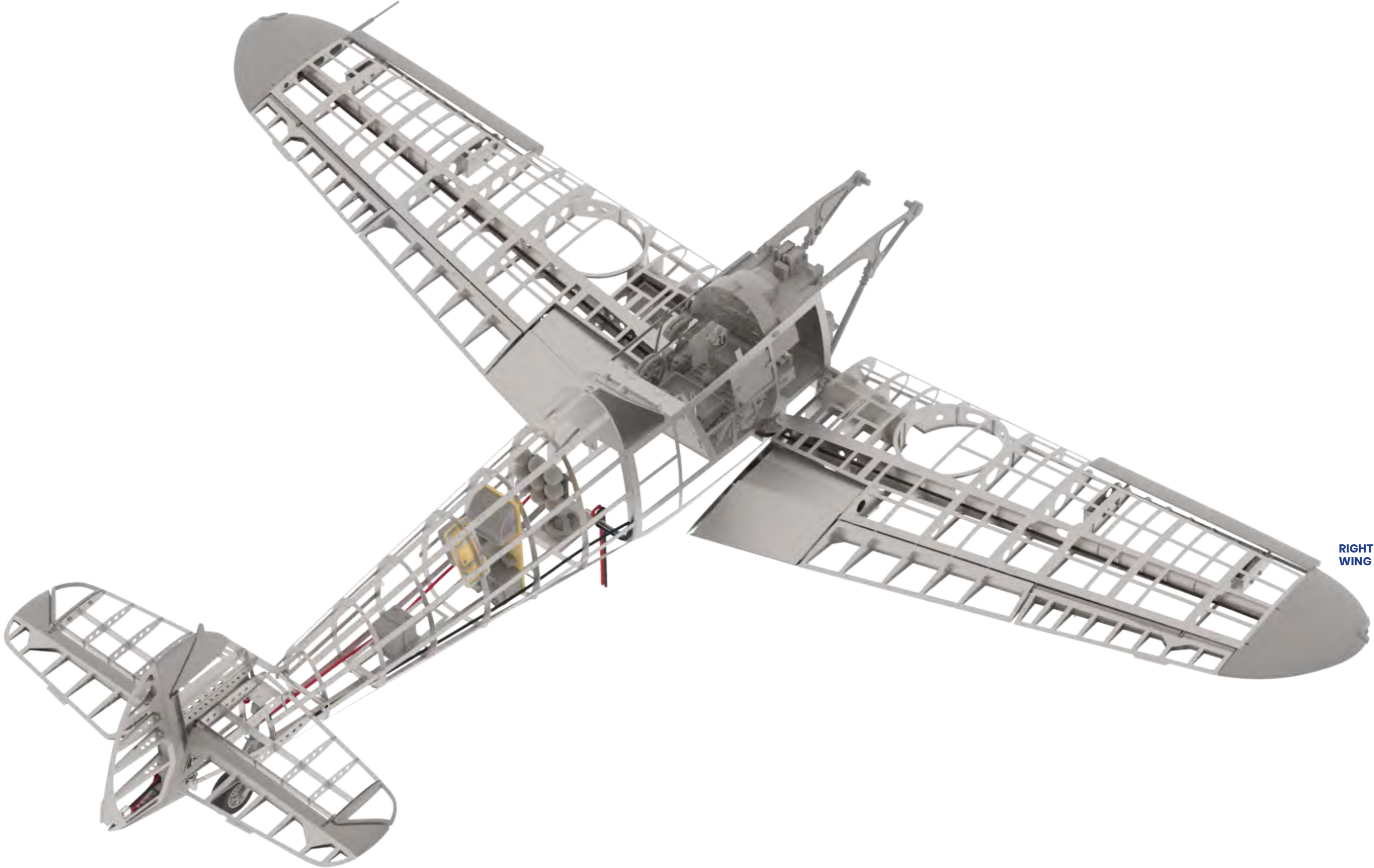


250



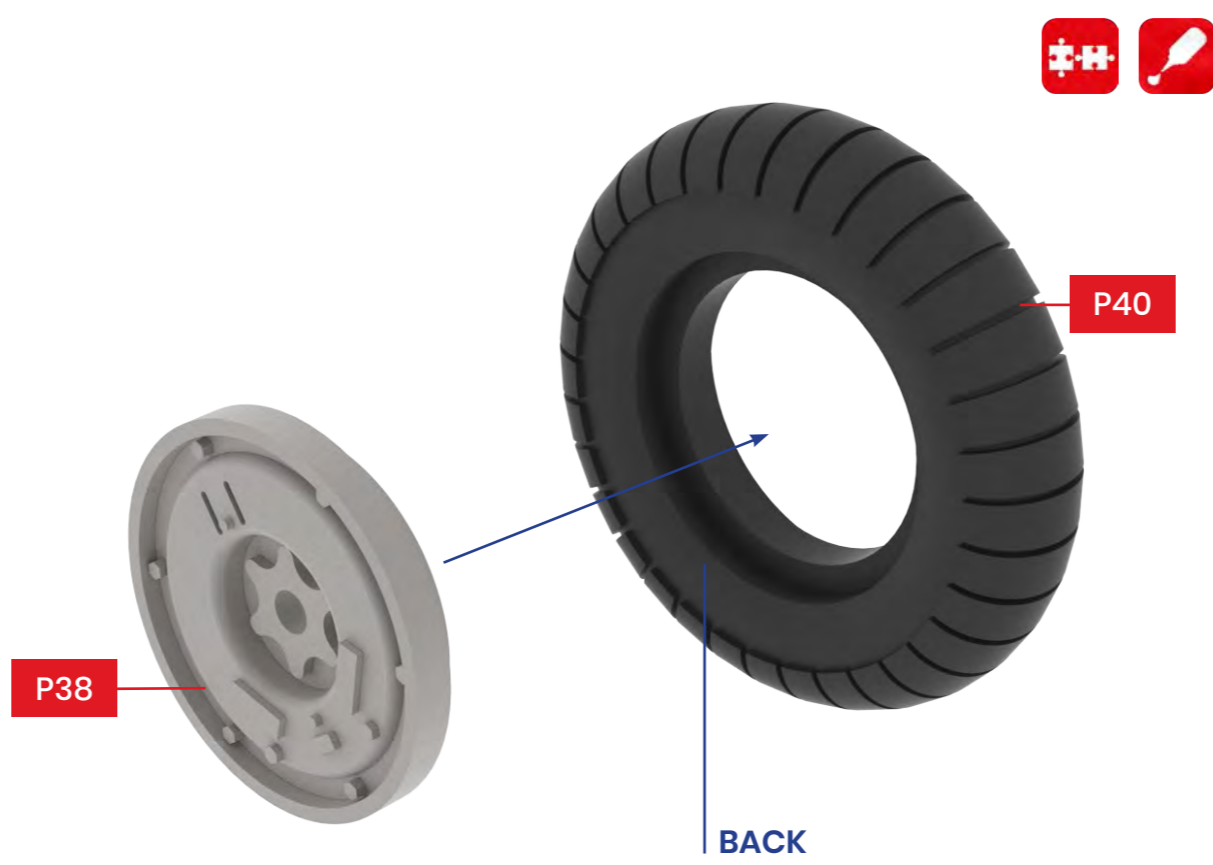
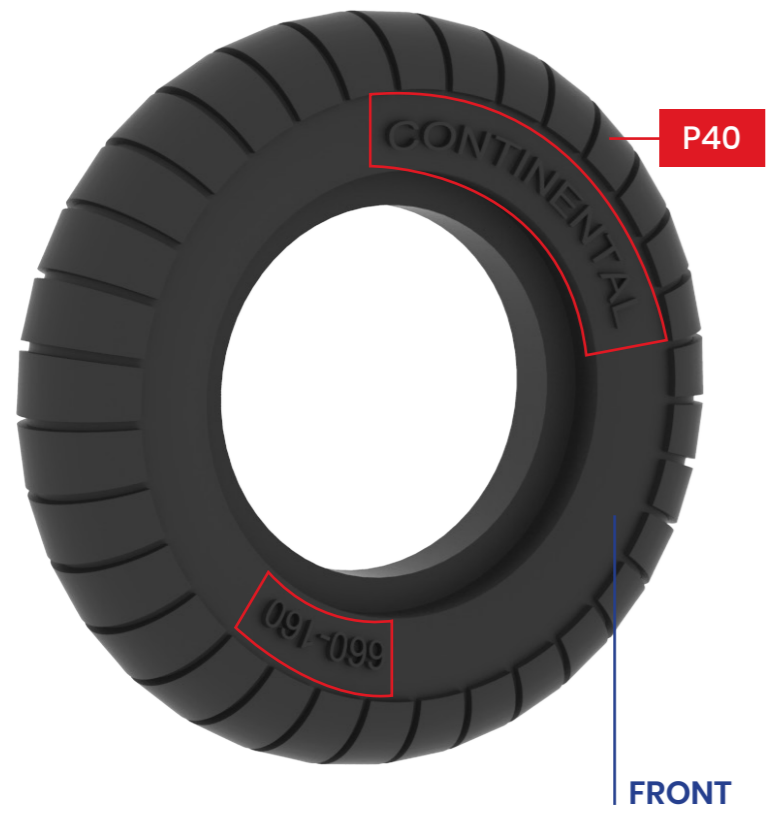
LEFT
WING

251

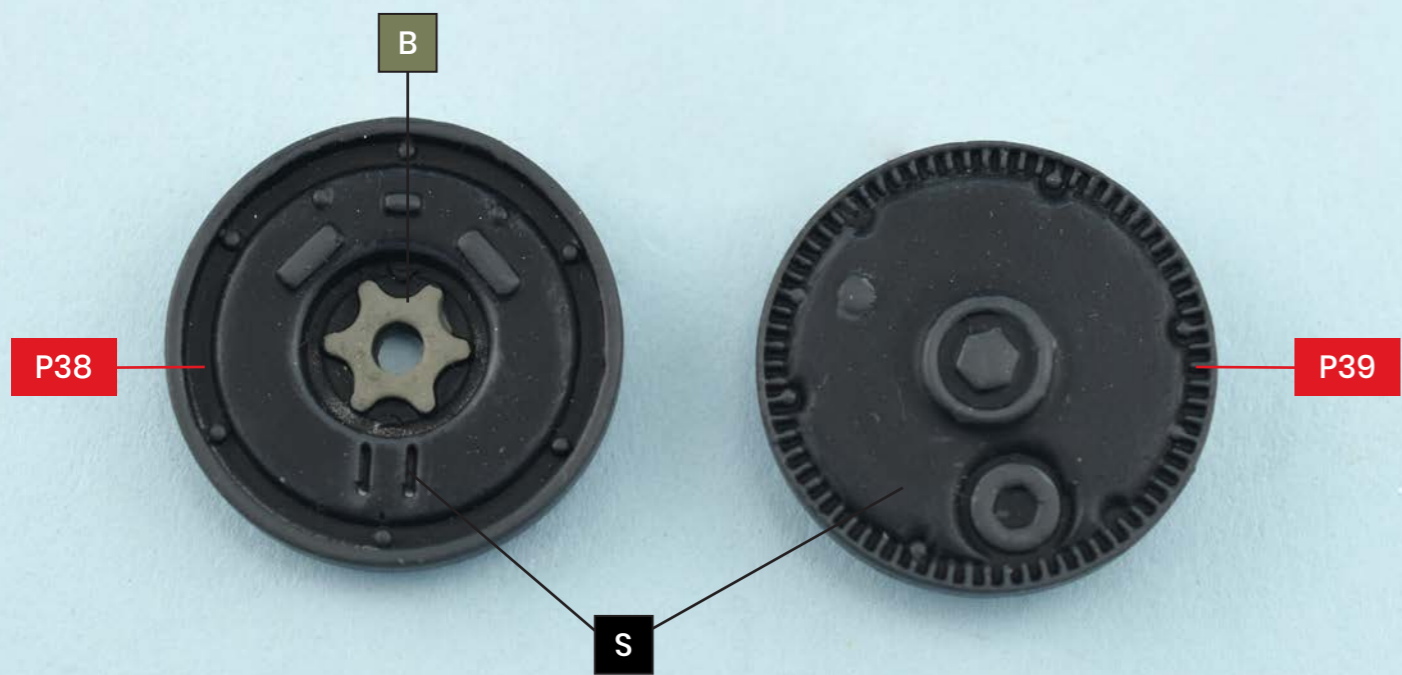


RIGHT
WING

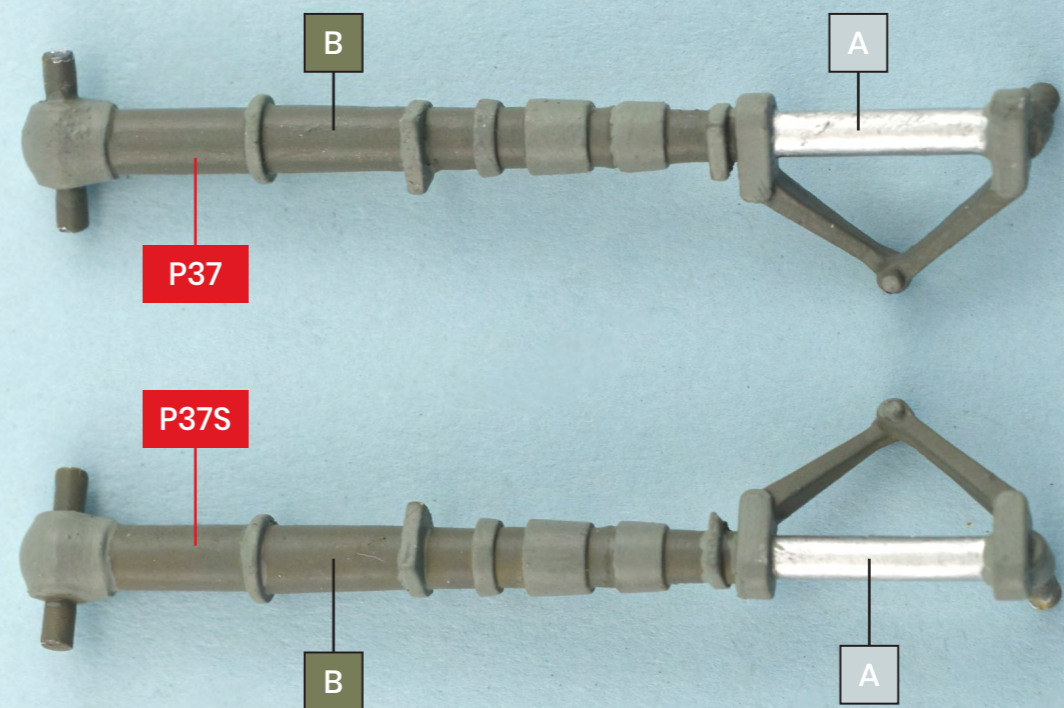
252



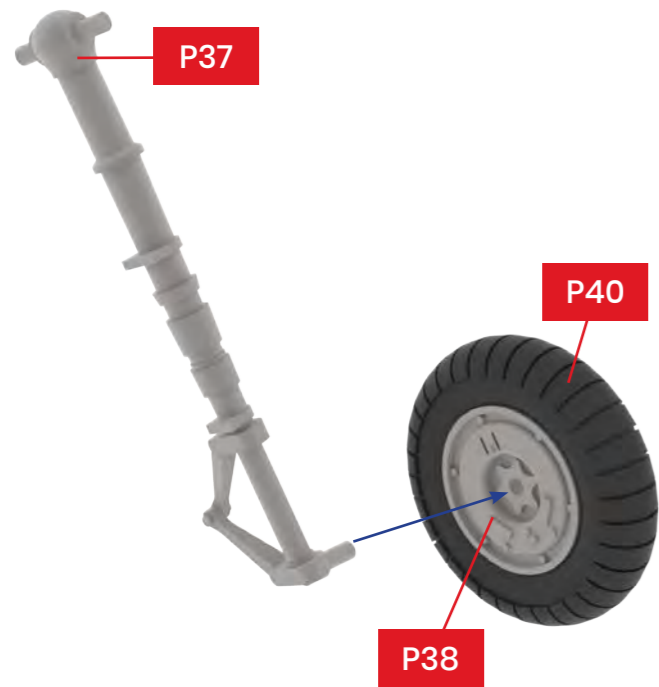
253



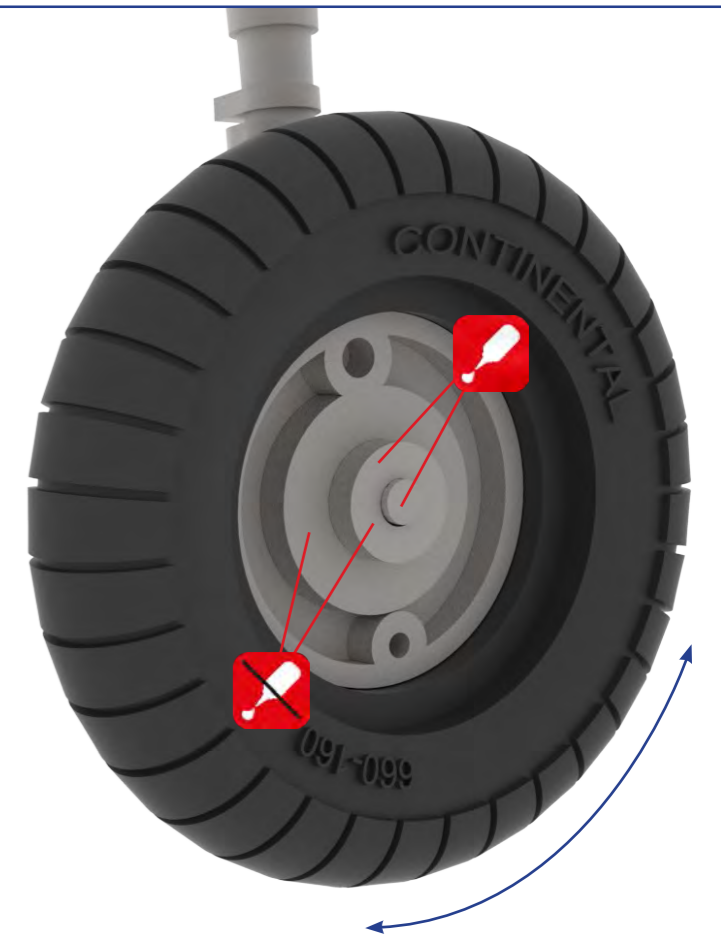
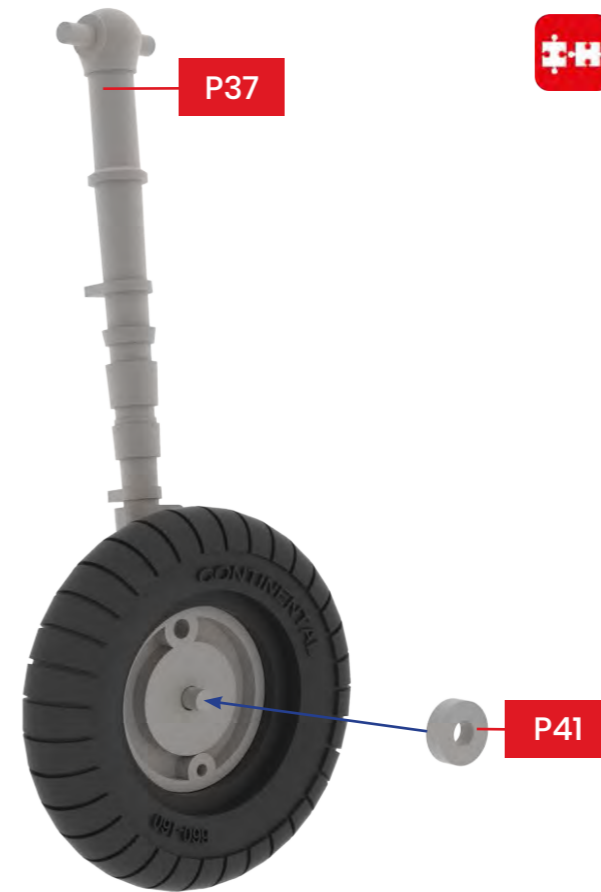
254



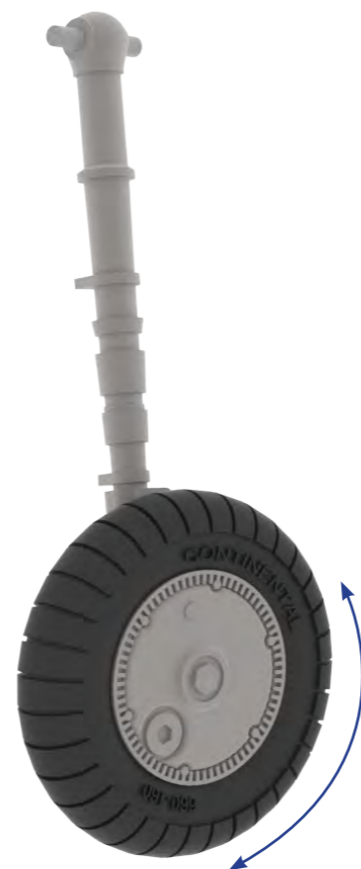
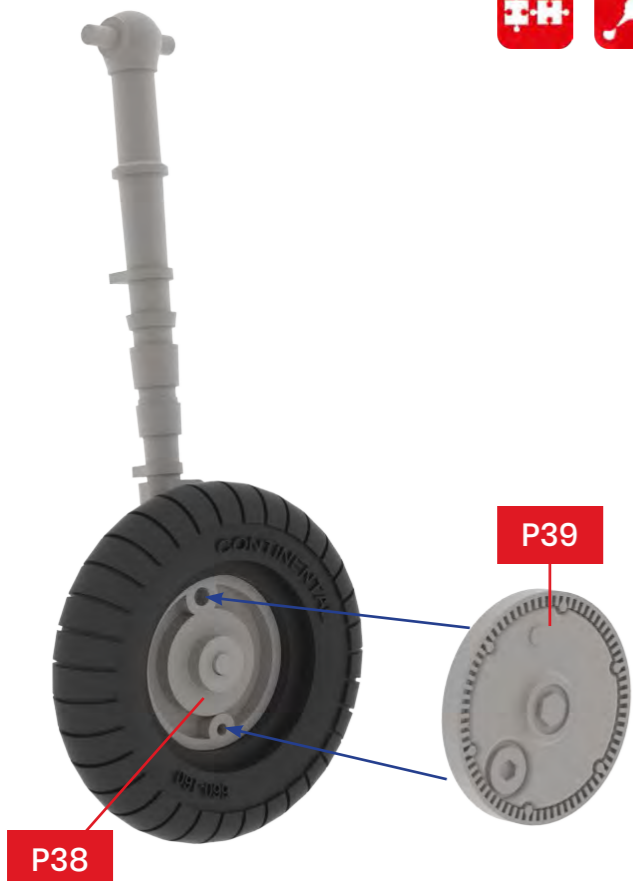
255



256



257



258

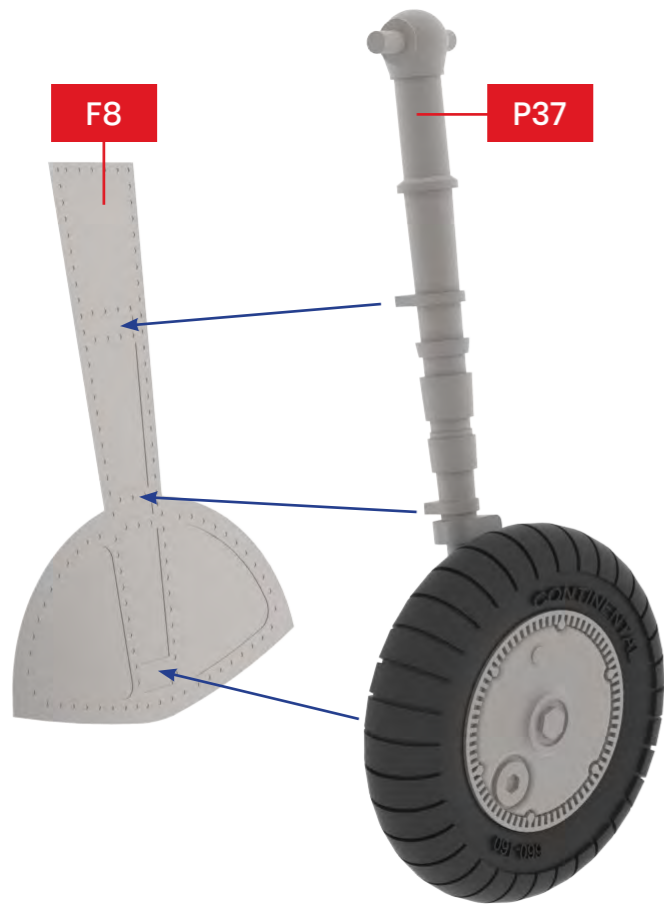
LEFT LANDING GEAR



LEFT LANDING GEAR

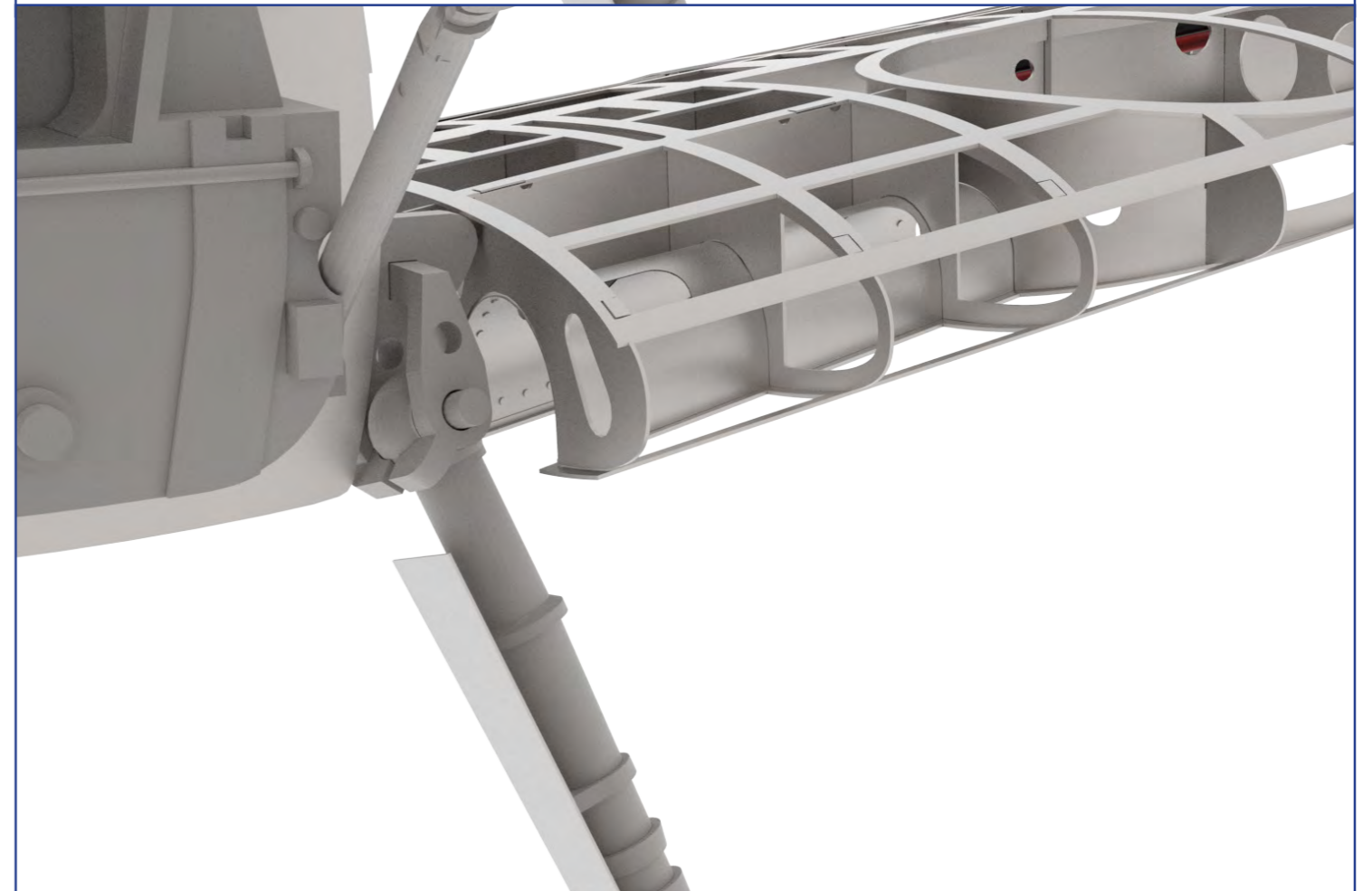
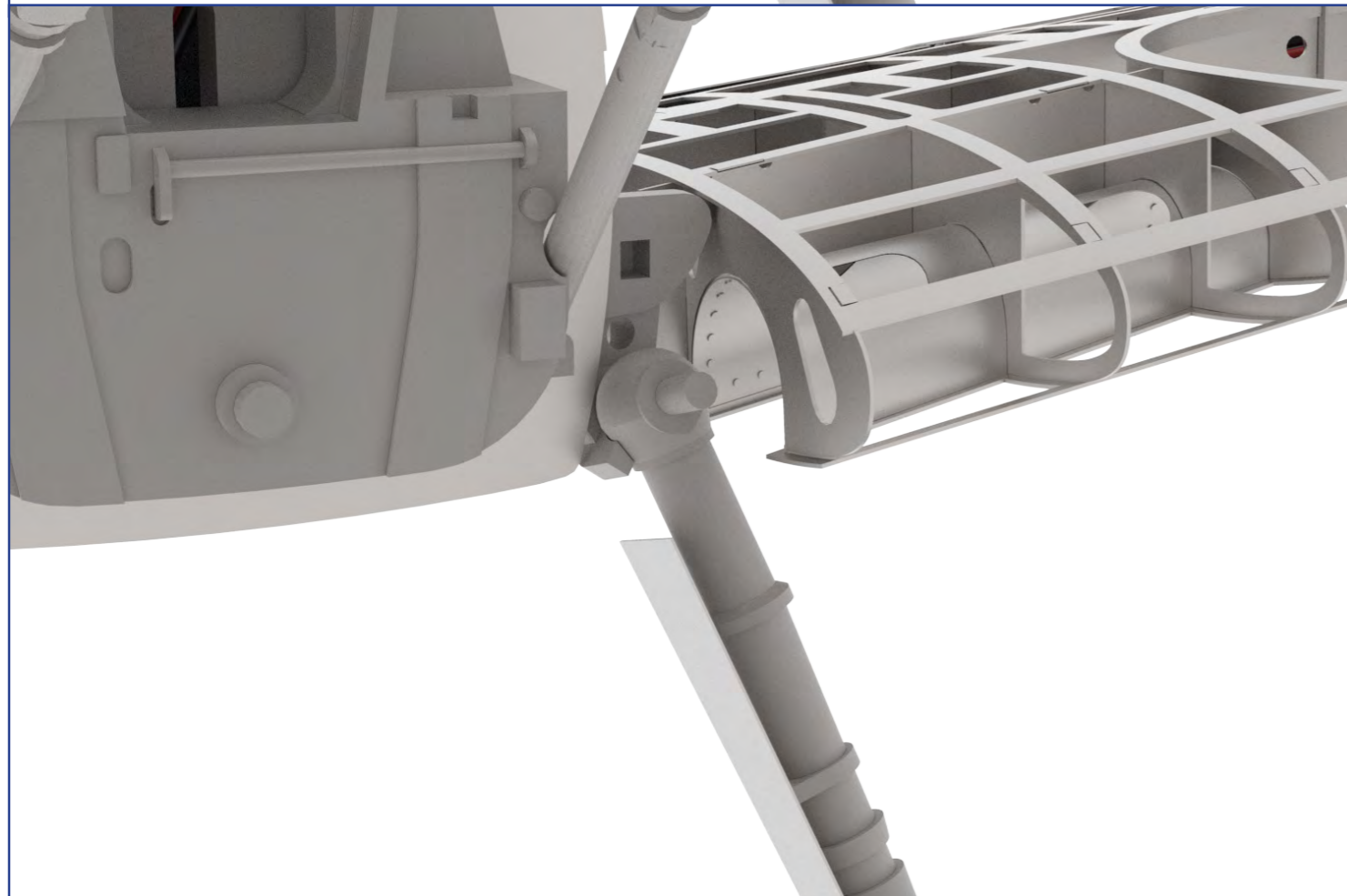
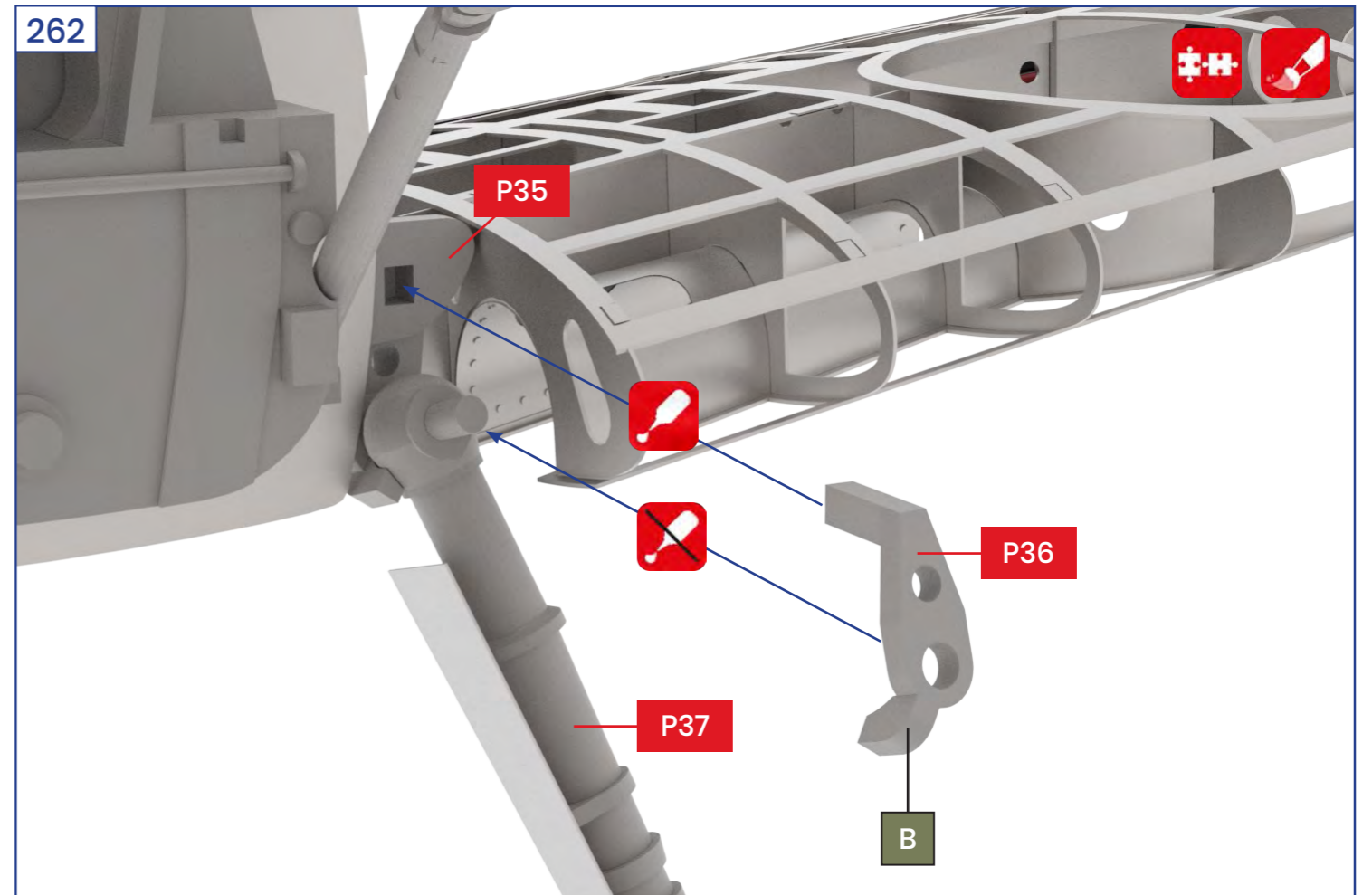
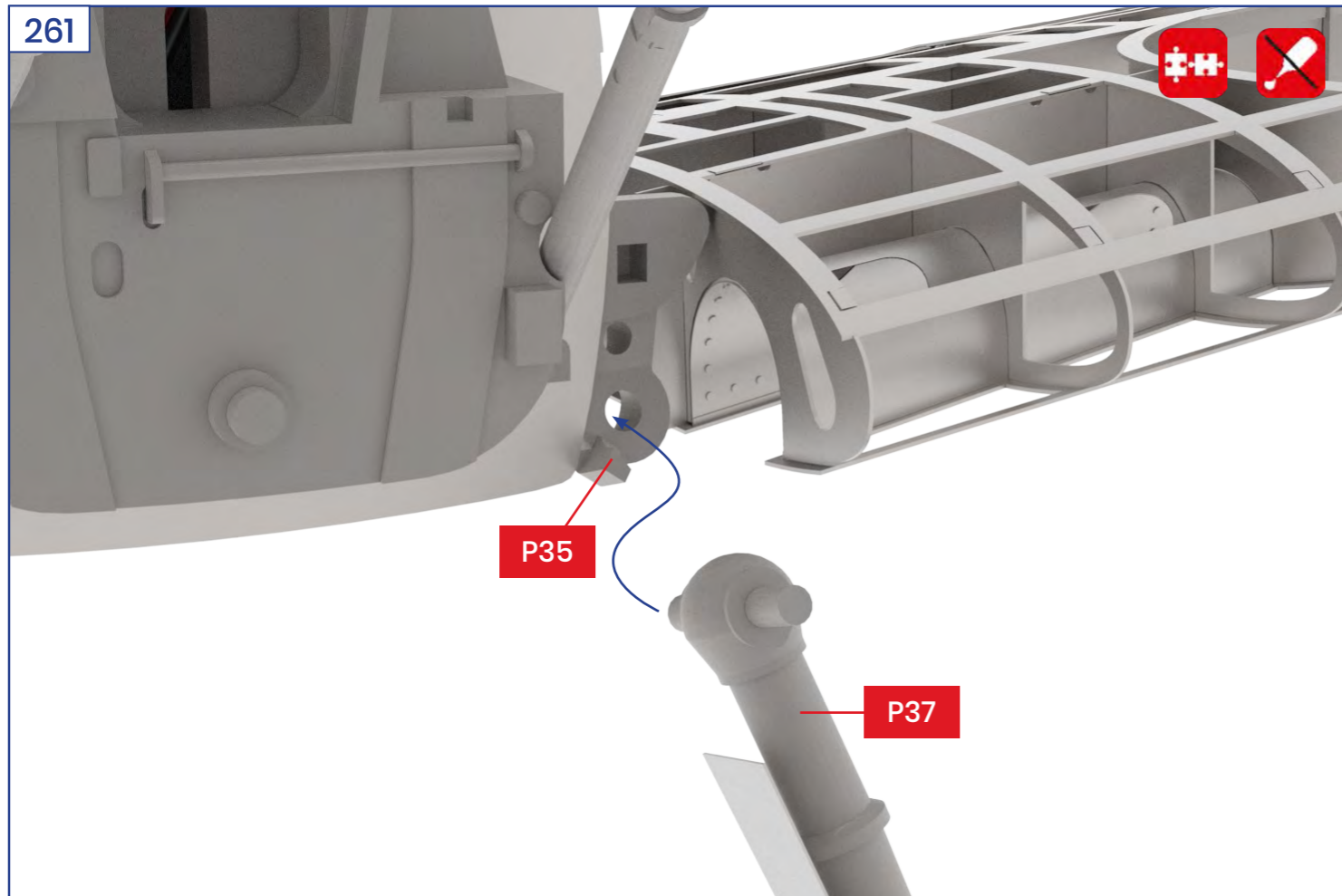


259



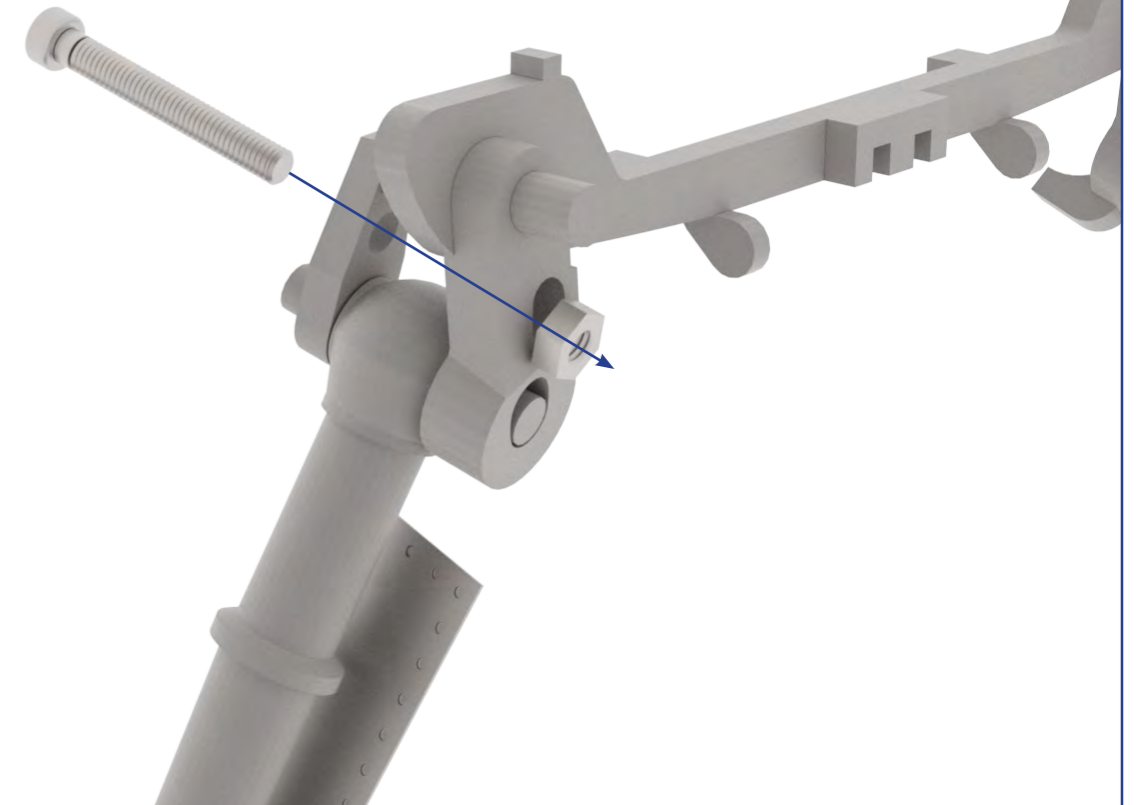
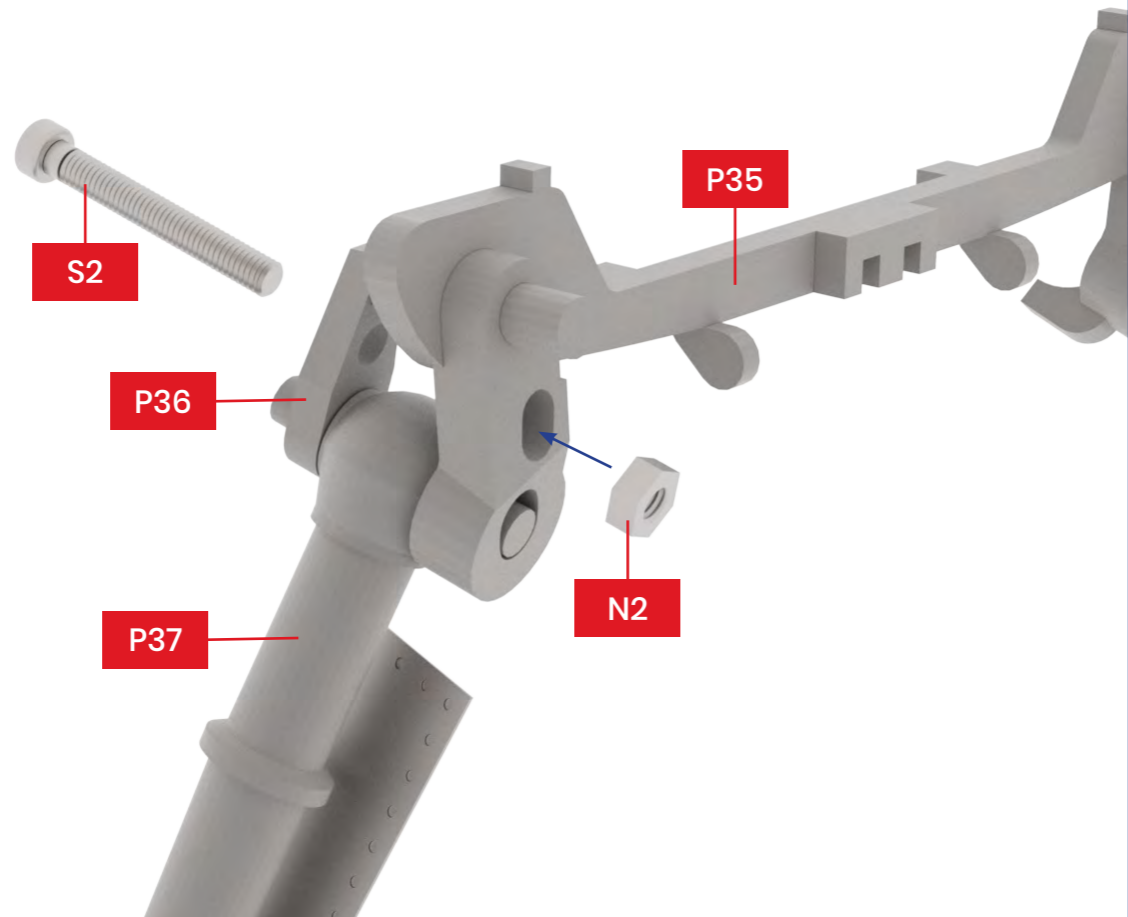
260





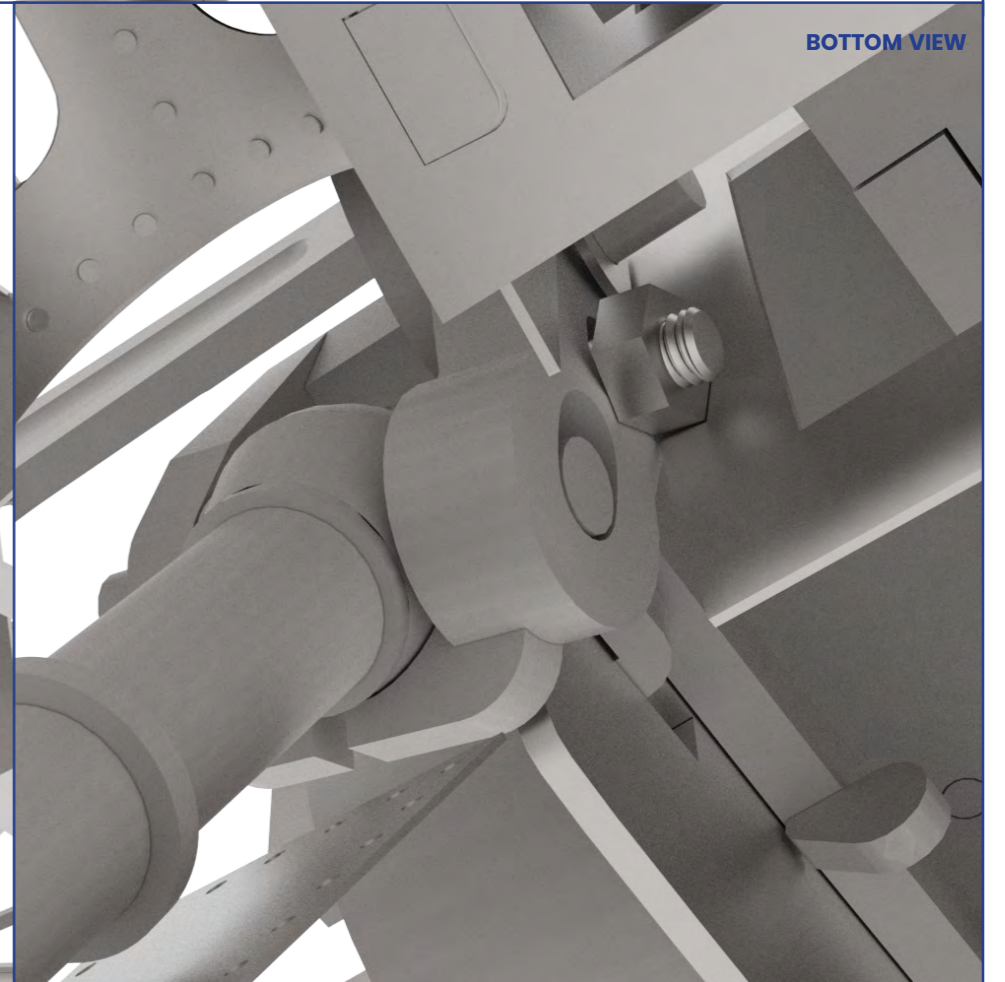
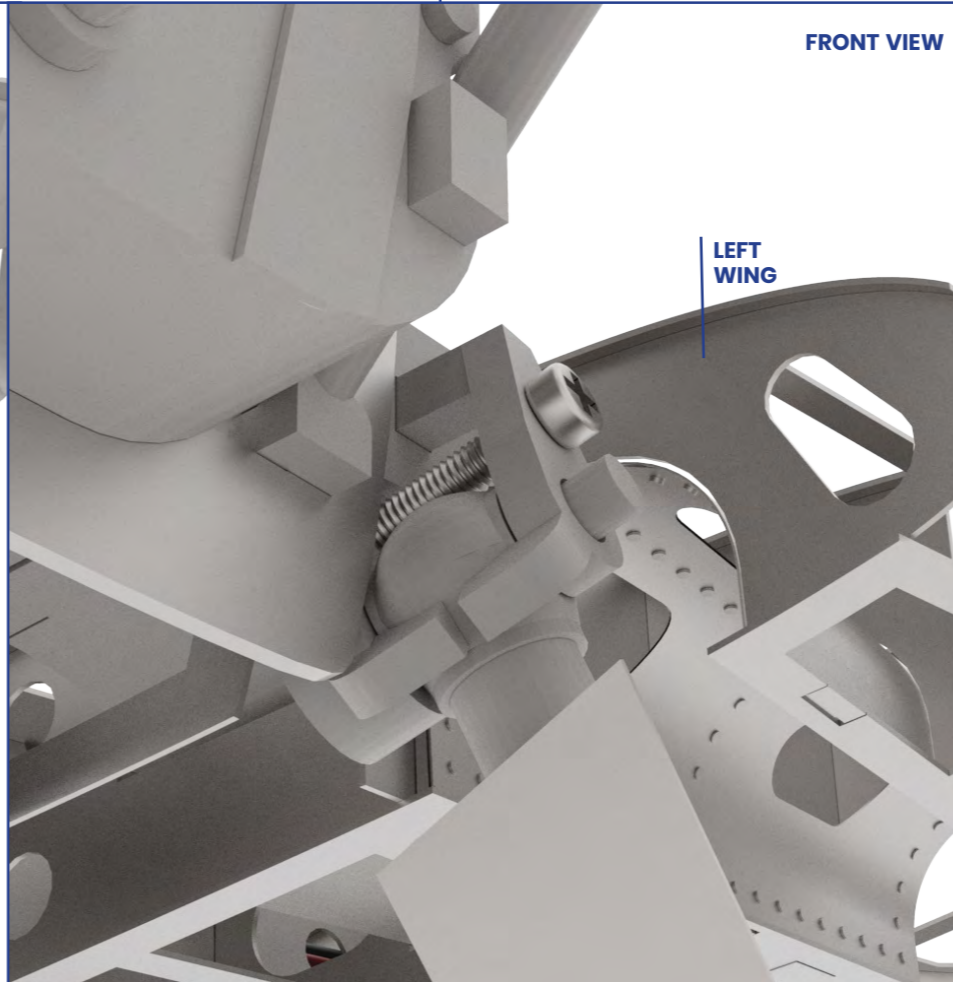
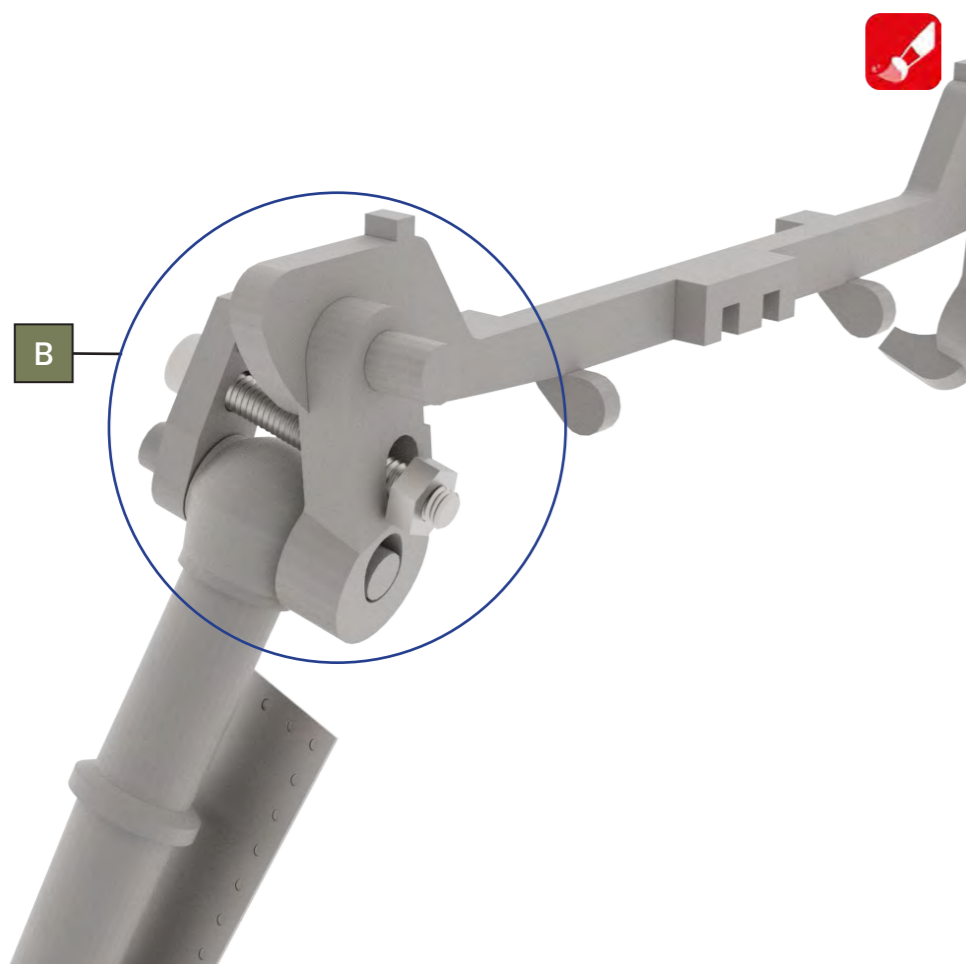
263

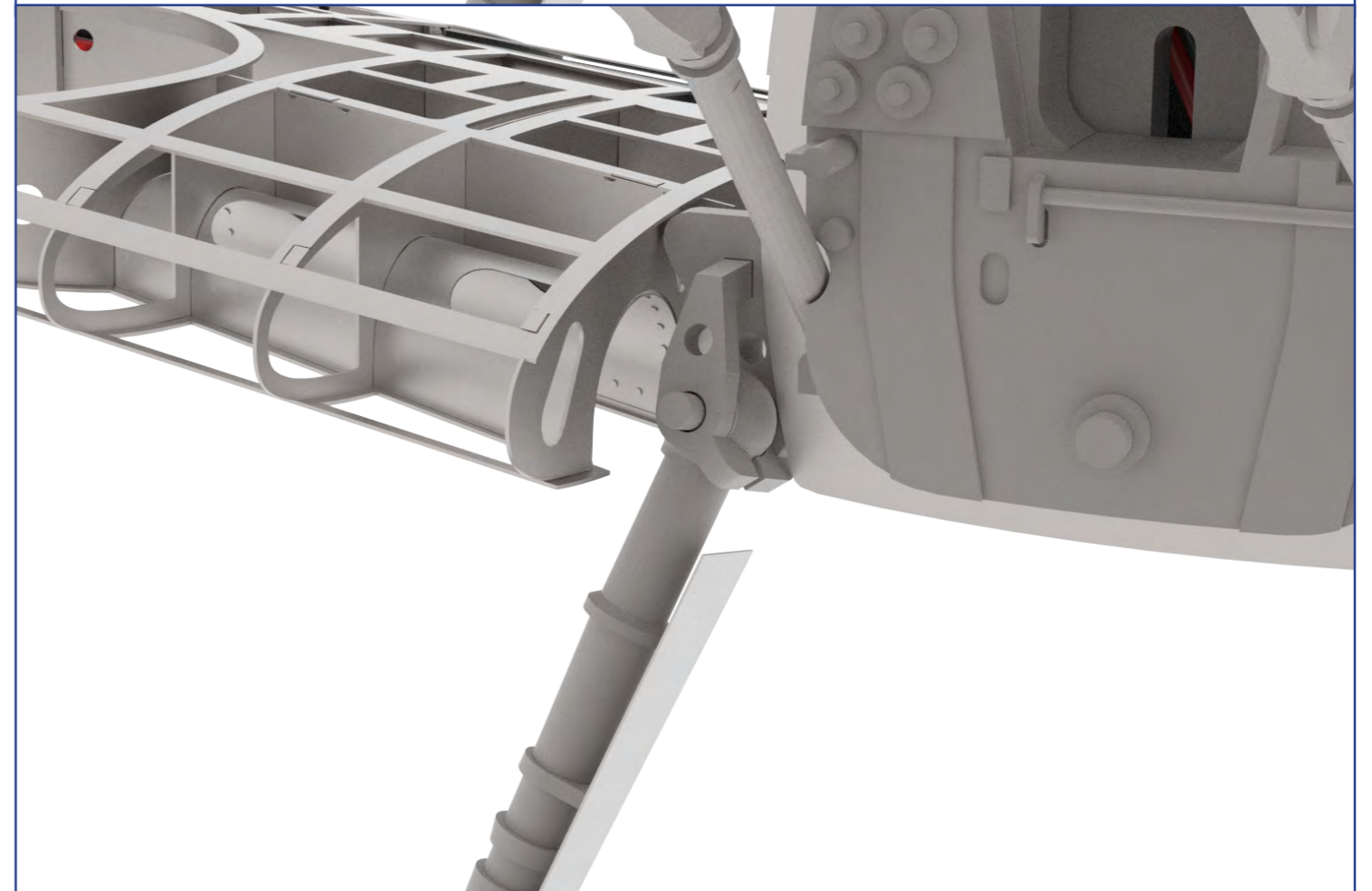
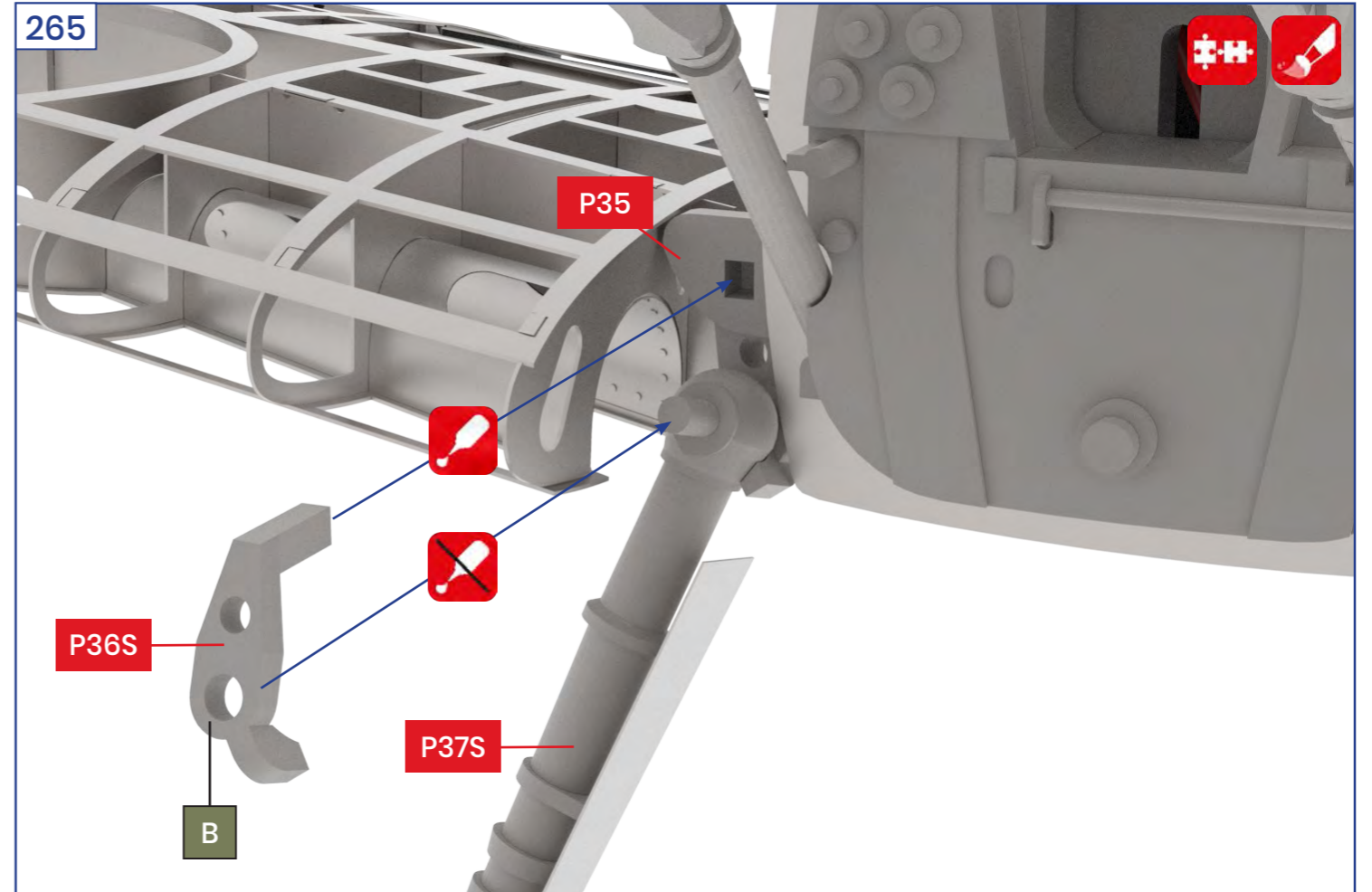
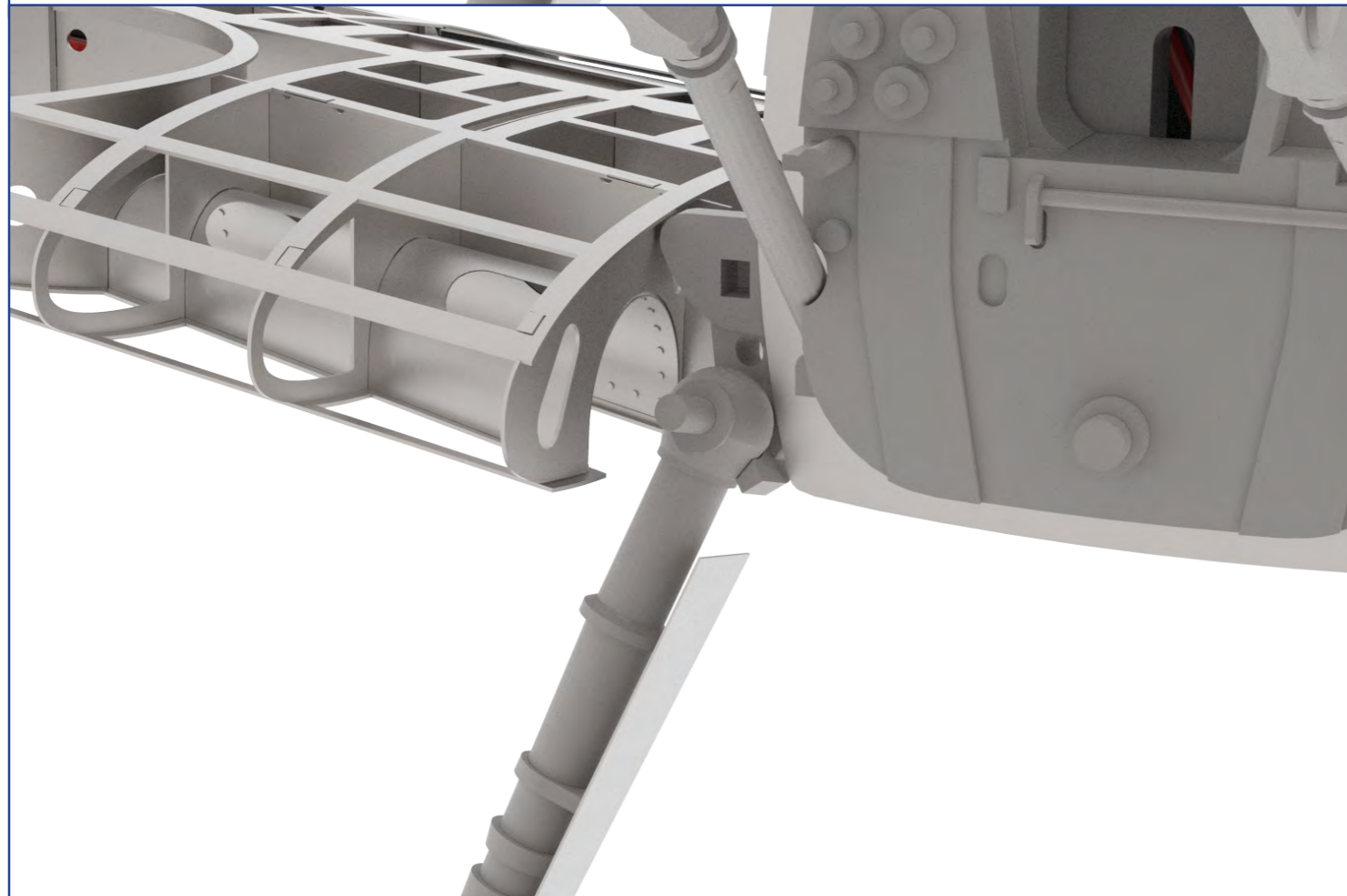
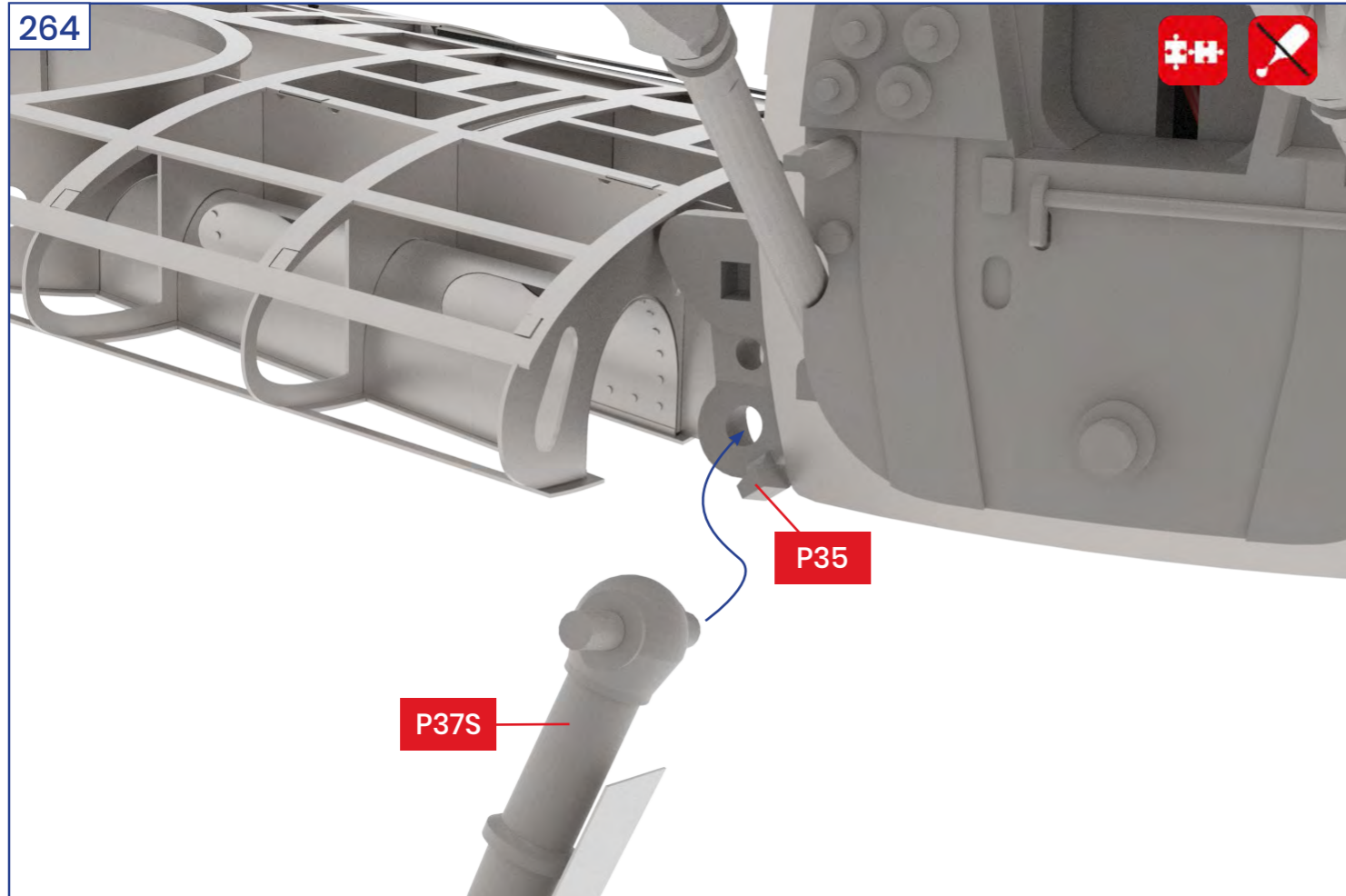
LEFT BACK VIEW



FRONT VIEW

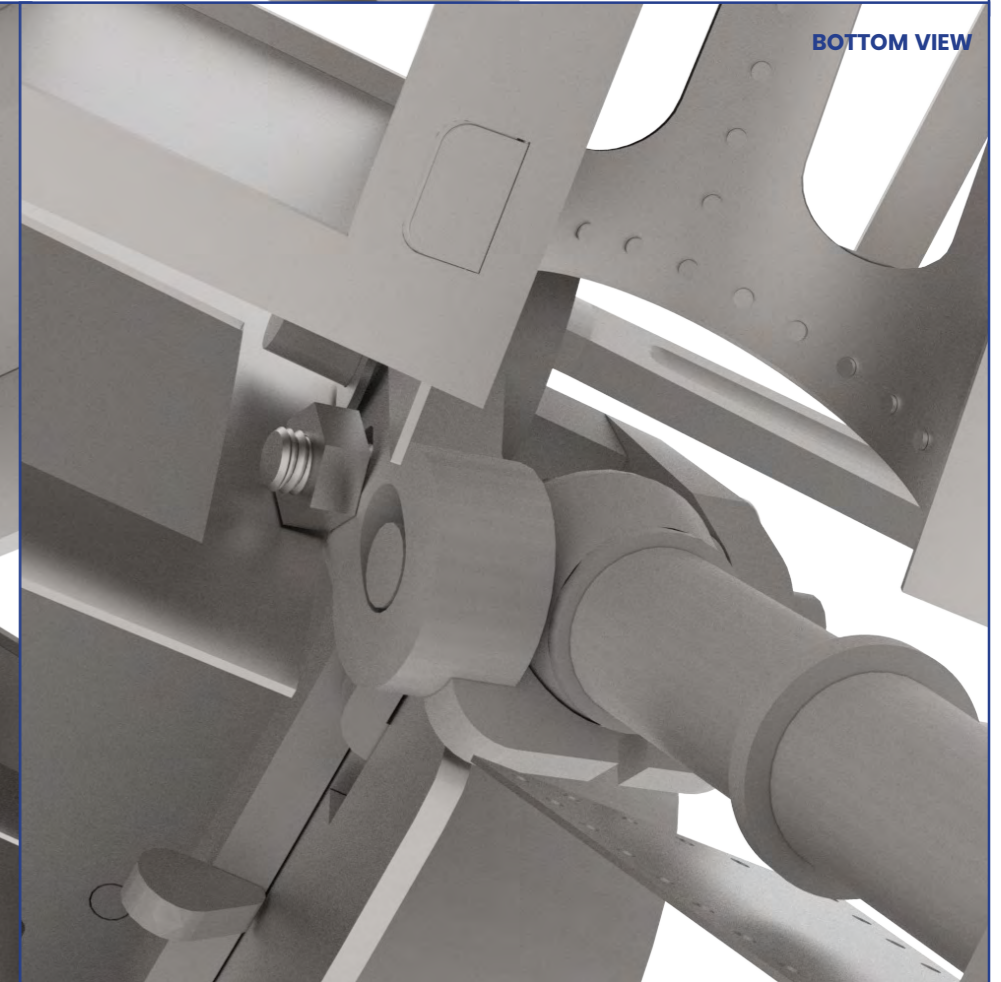
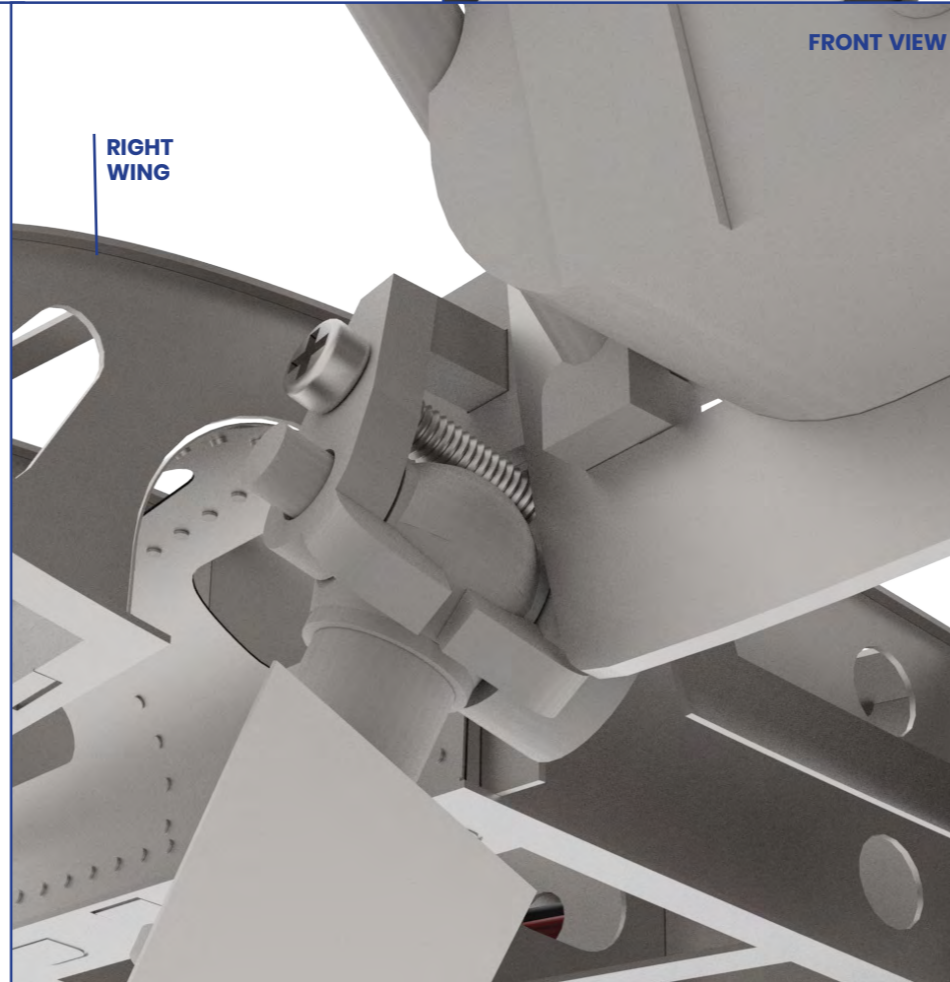
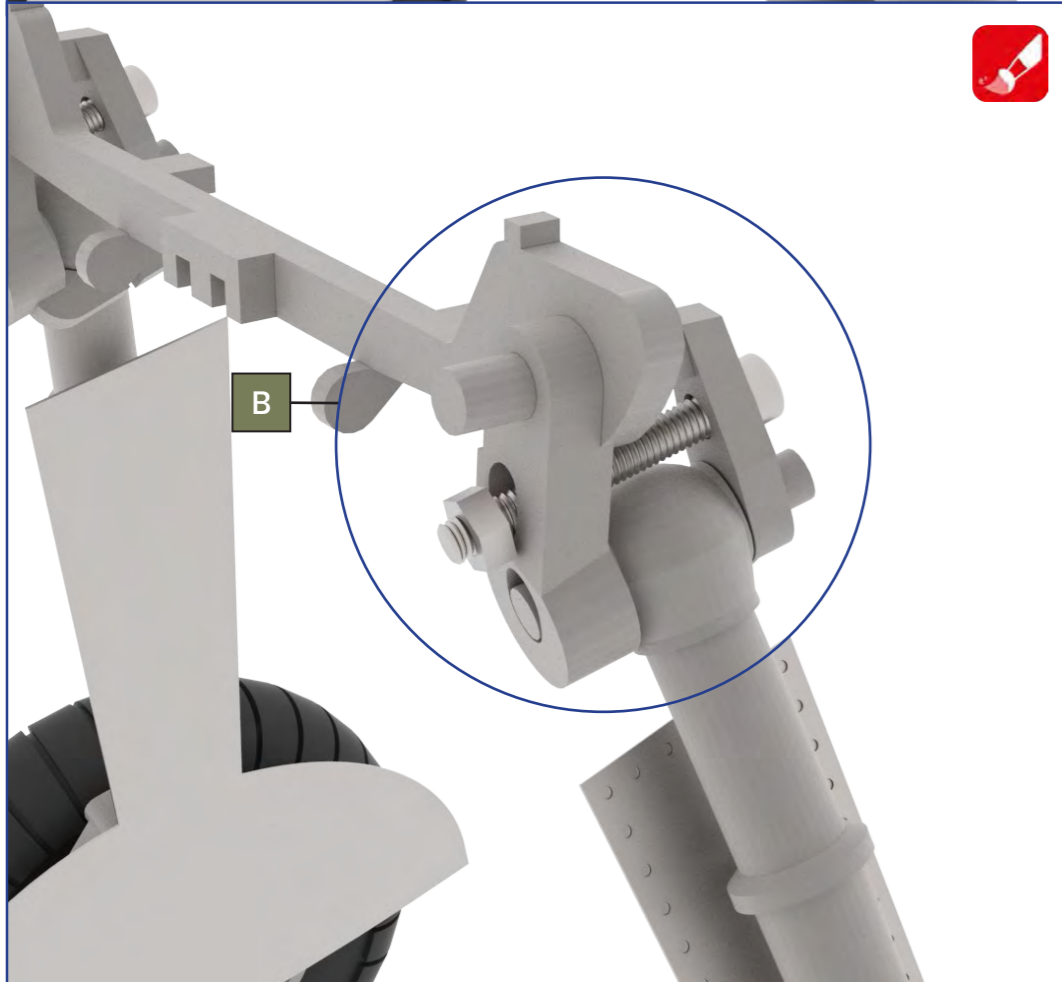
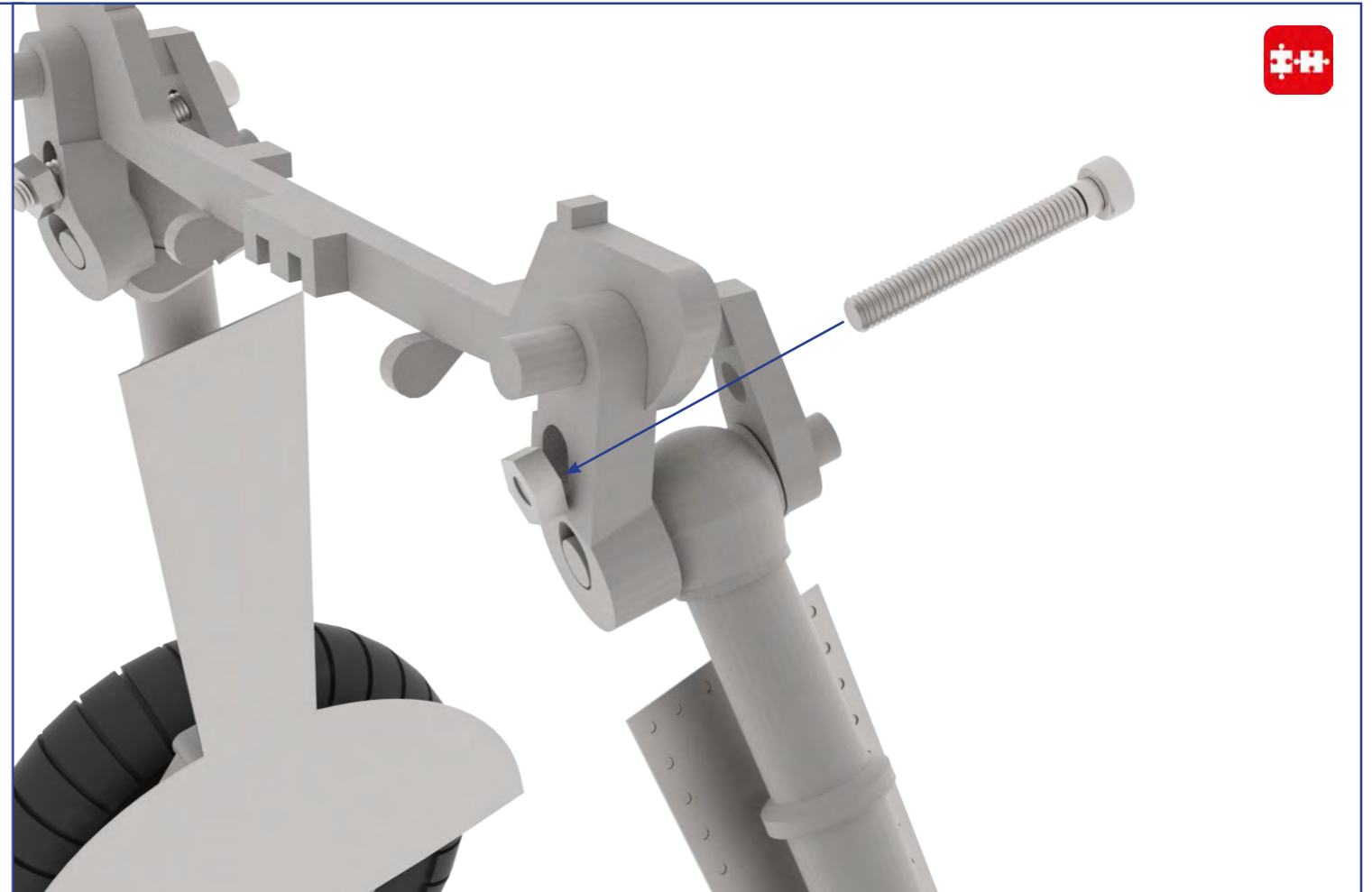
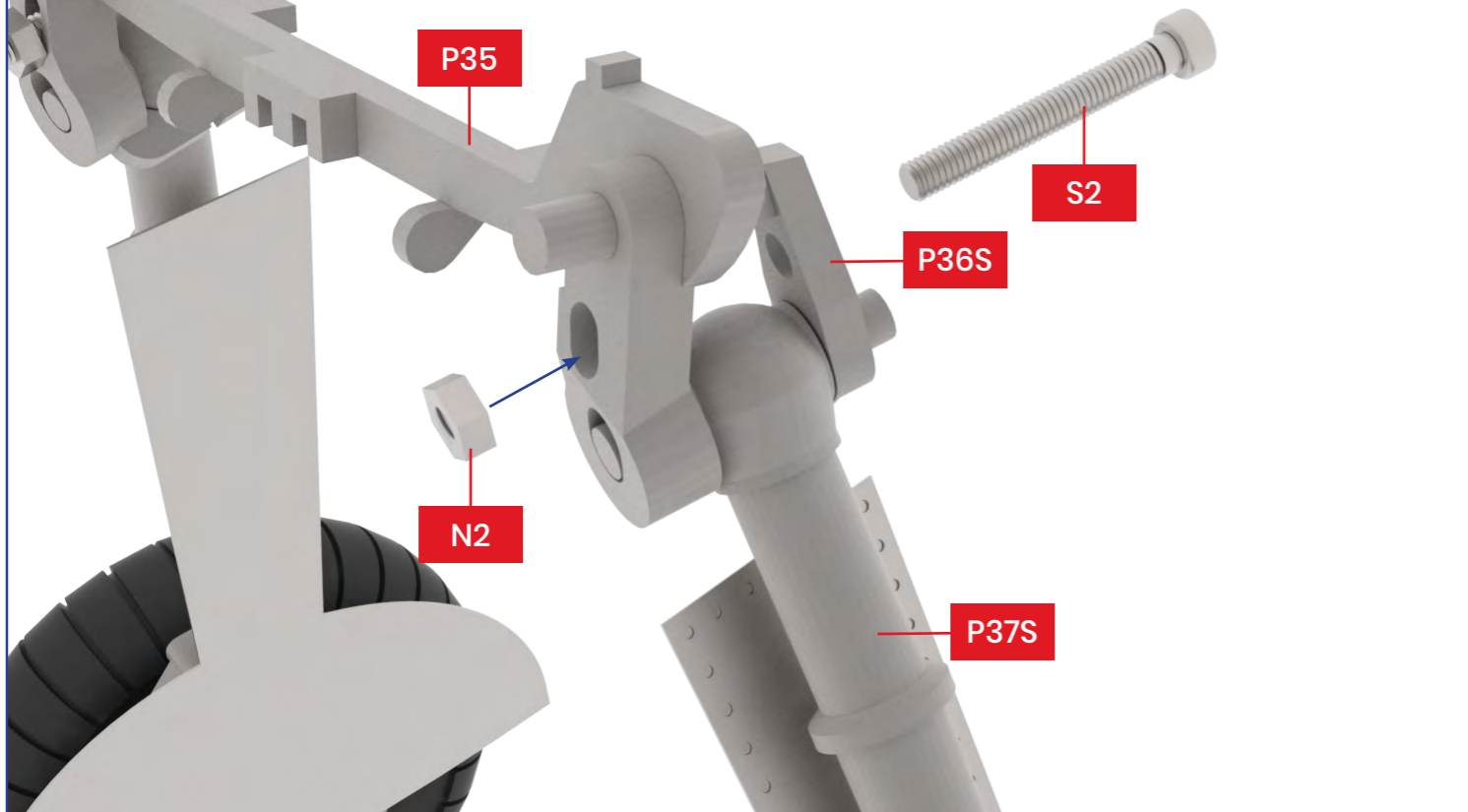
BOTTOM VIEW



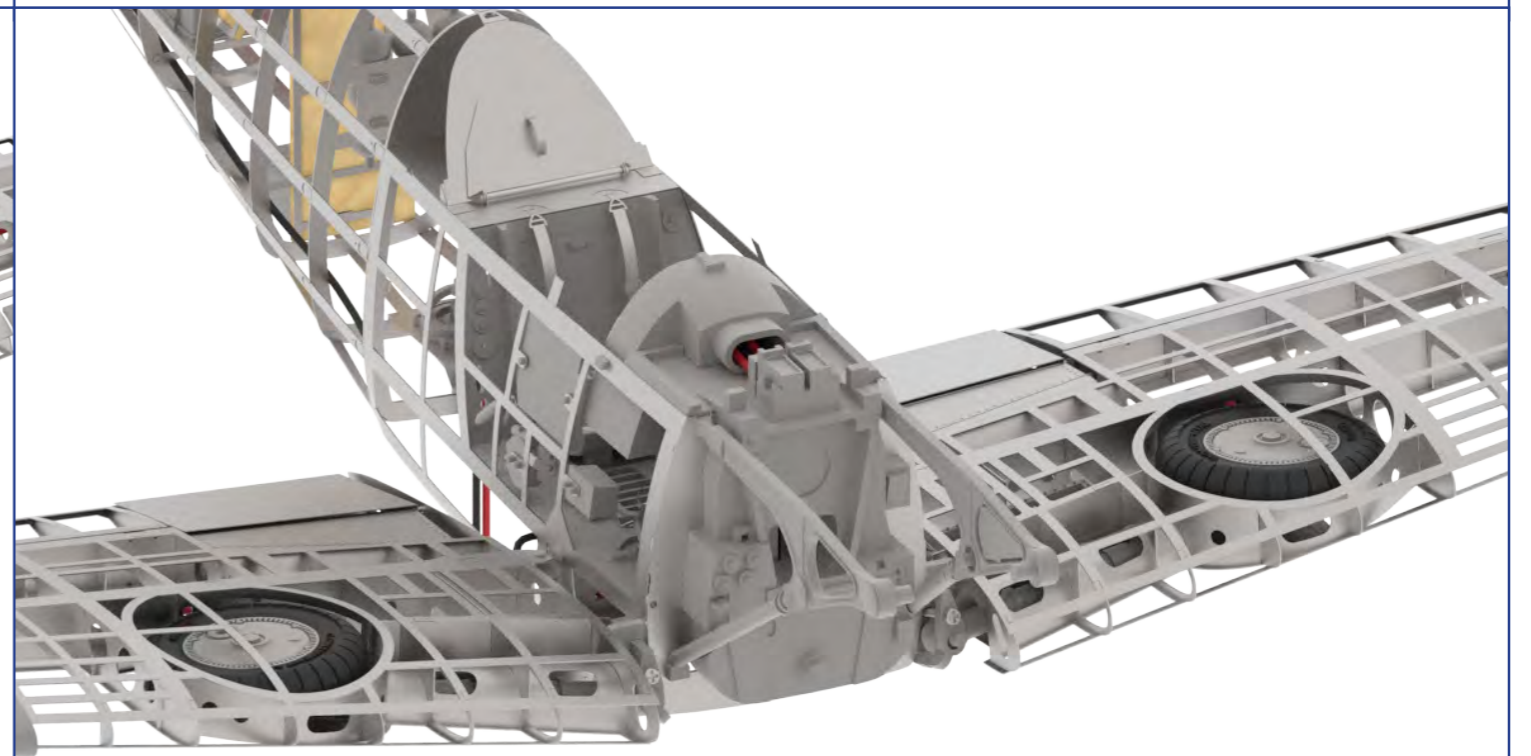


266

RIGHT BACK VIEW

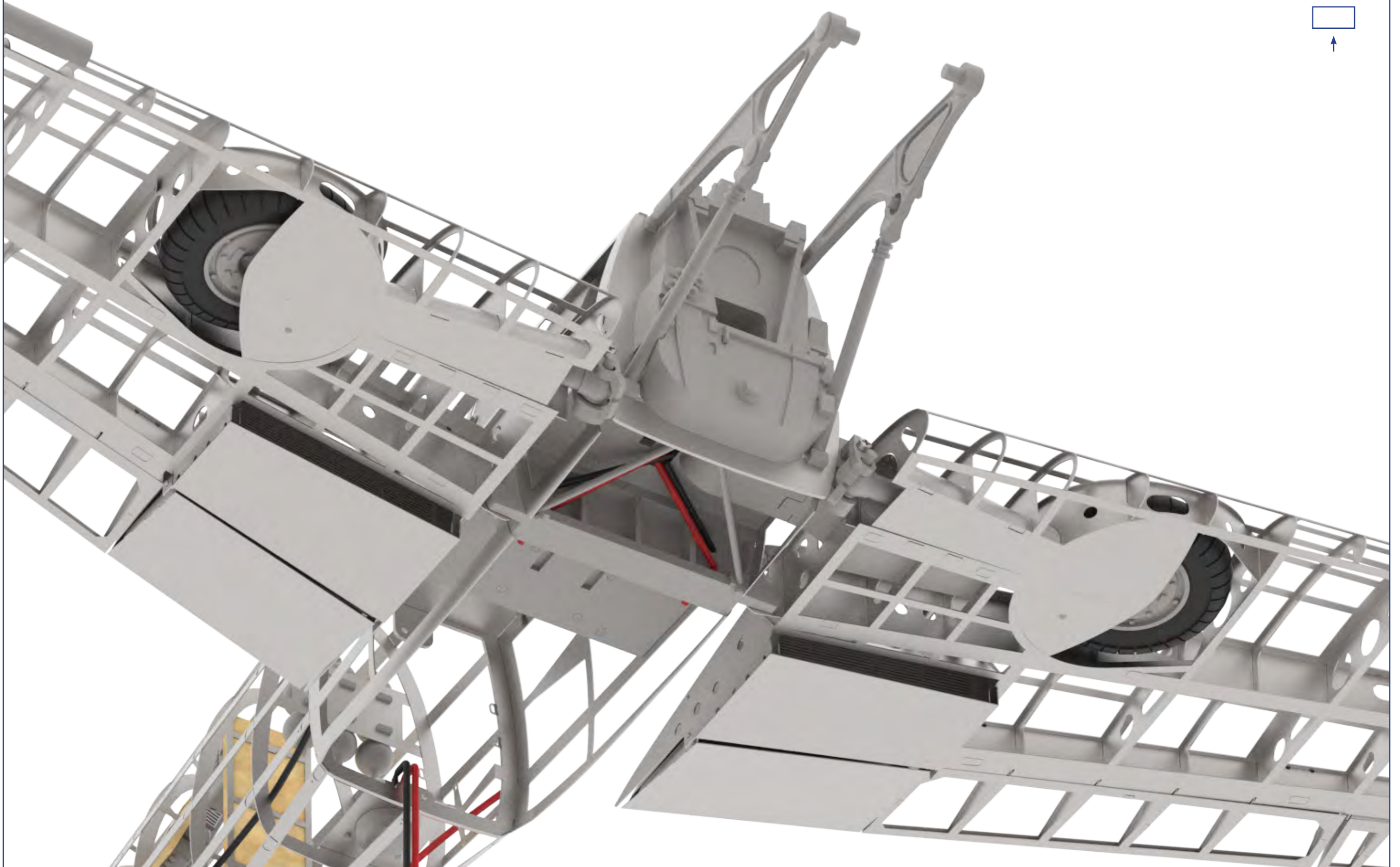


267

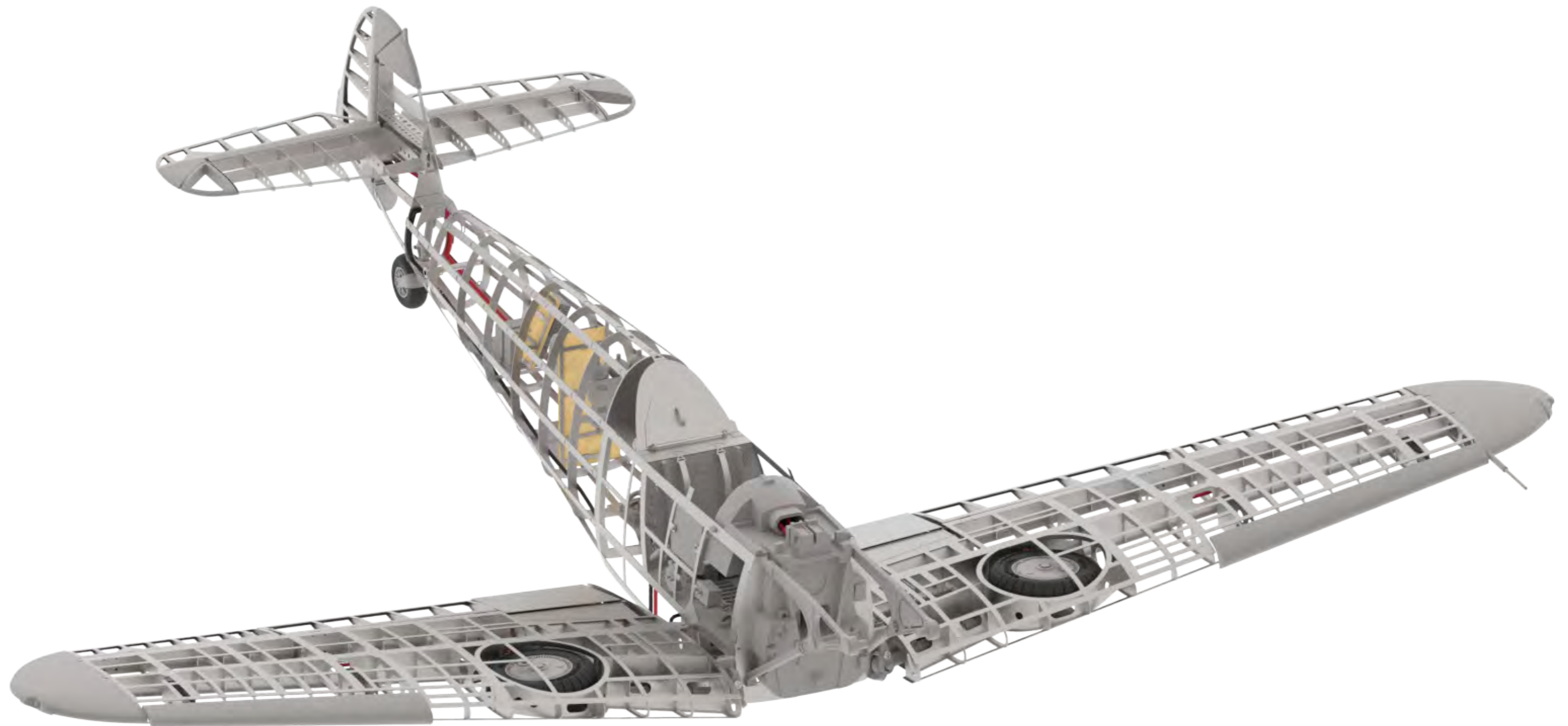


268

**BOTTOM
VIEW**

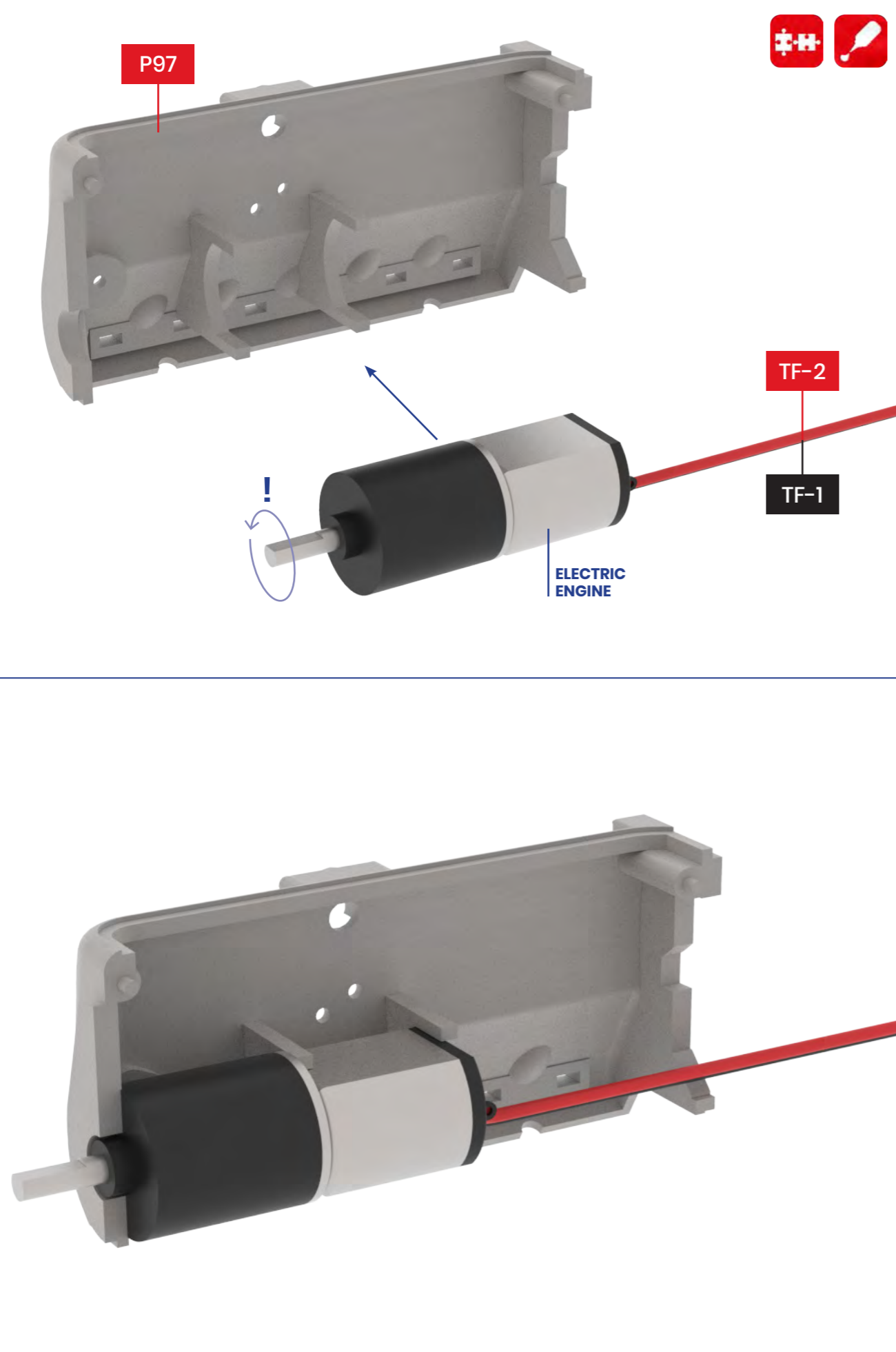


269

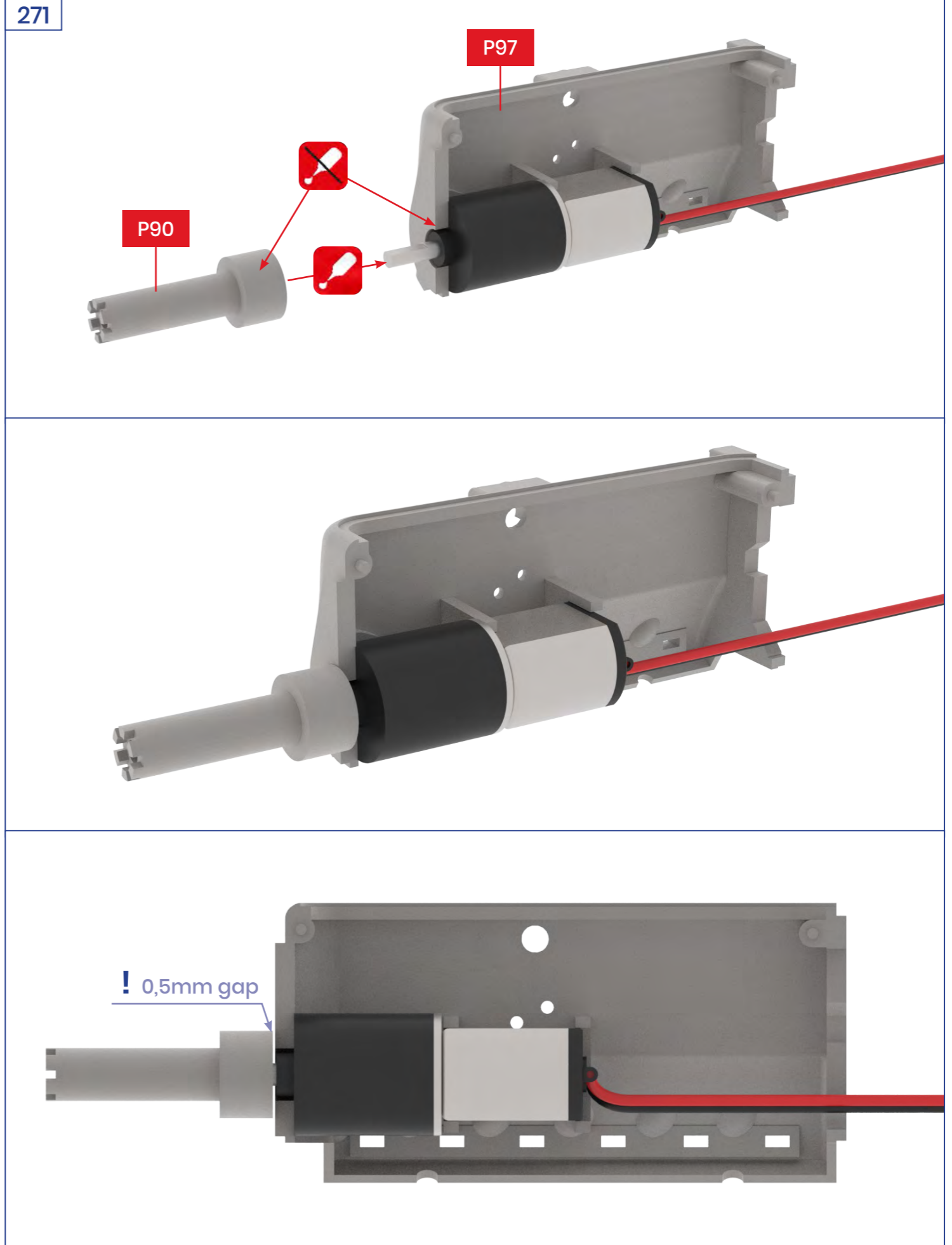


TOP
VIEW
↓
□

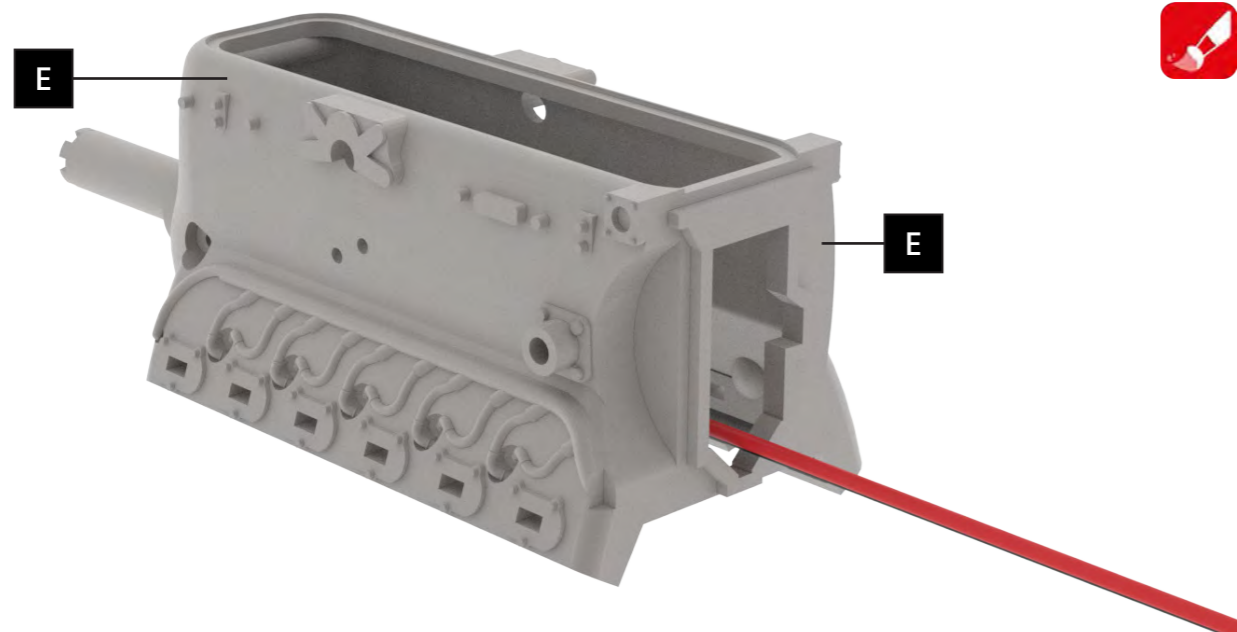
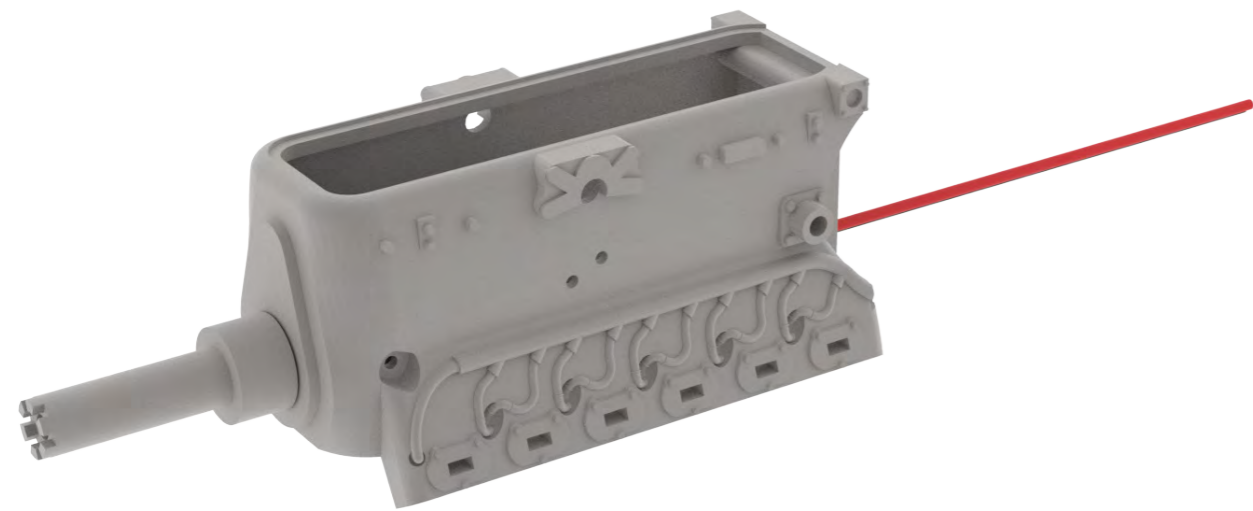
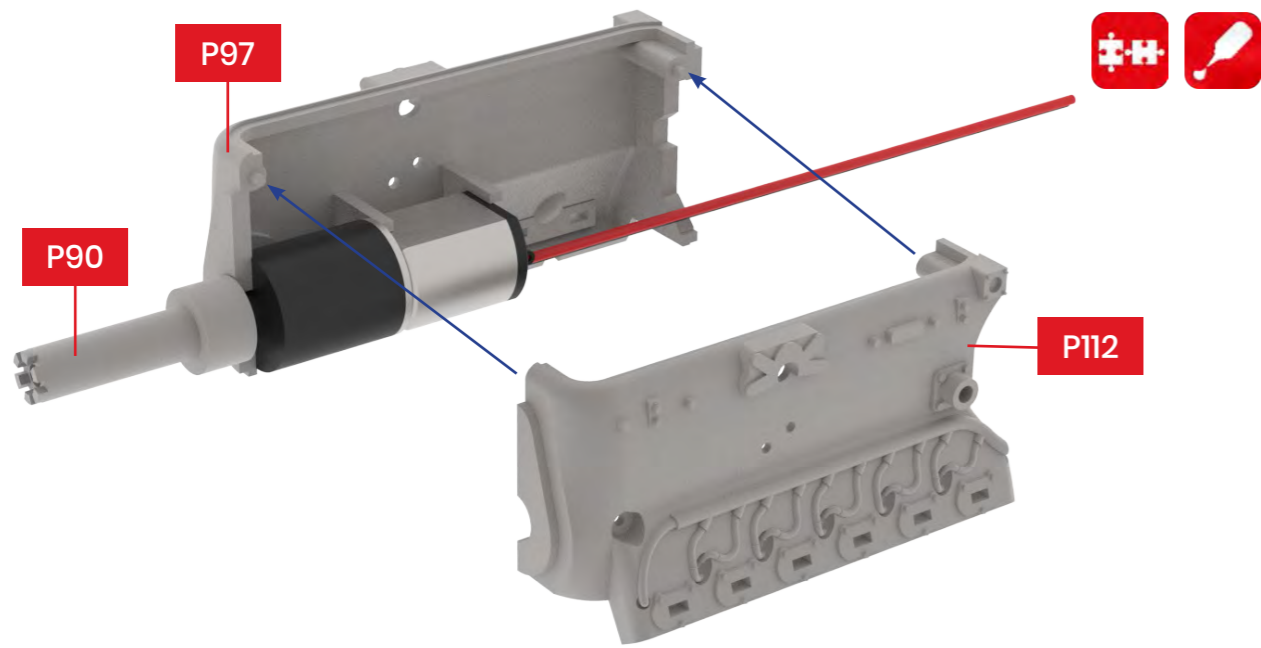
270



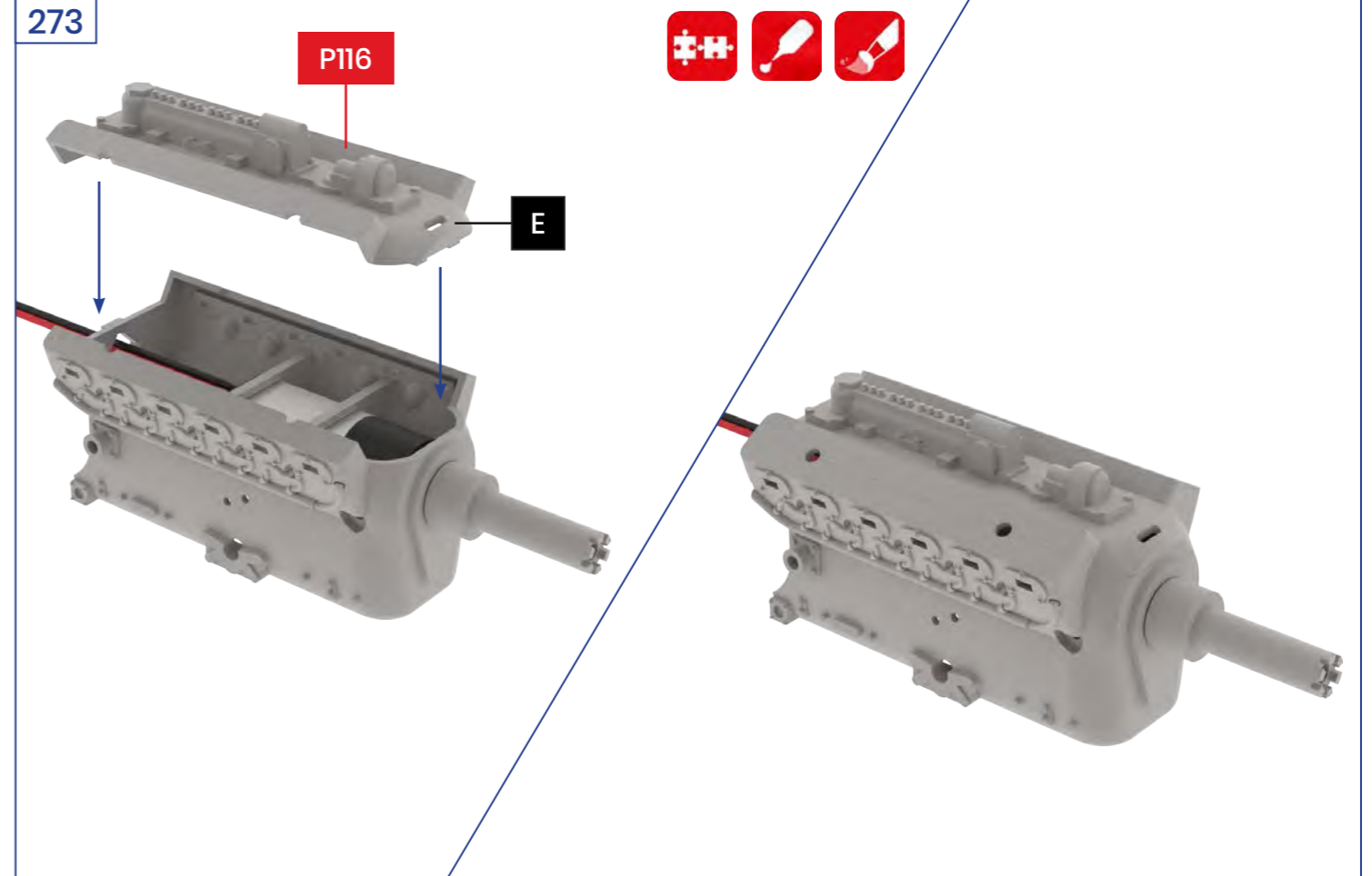
271



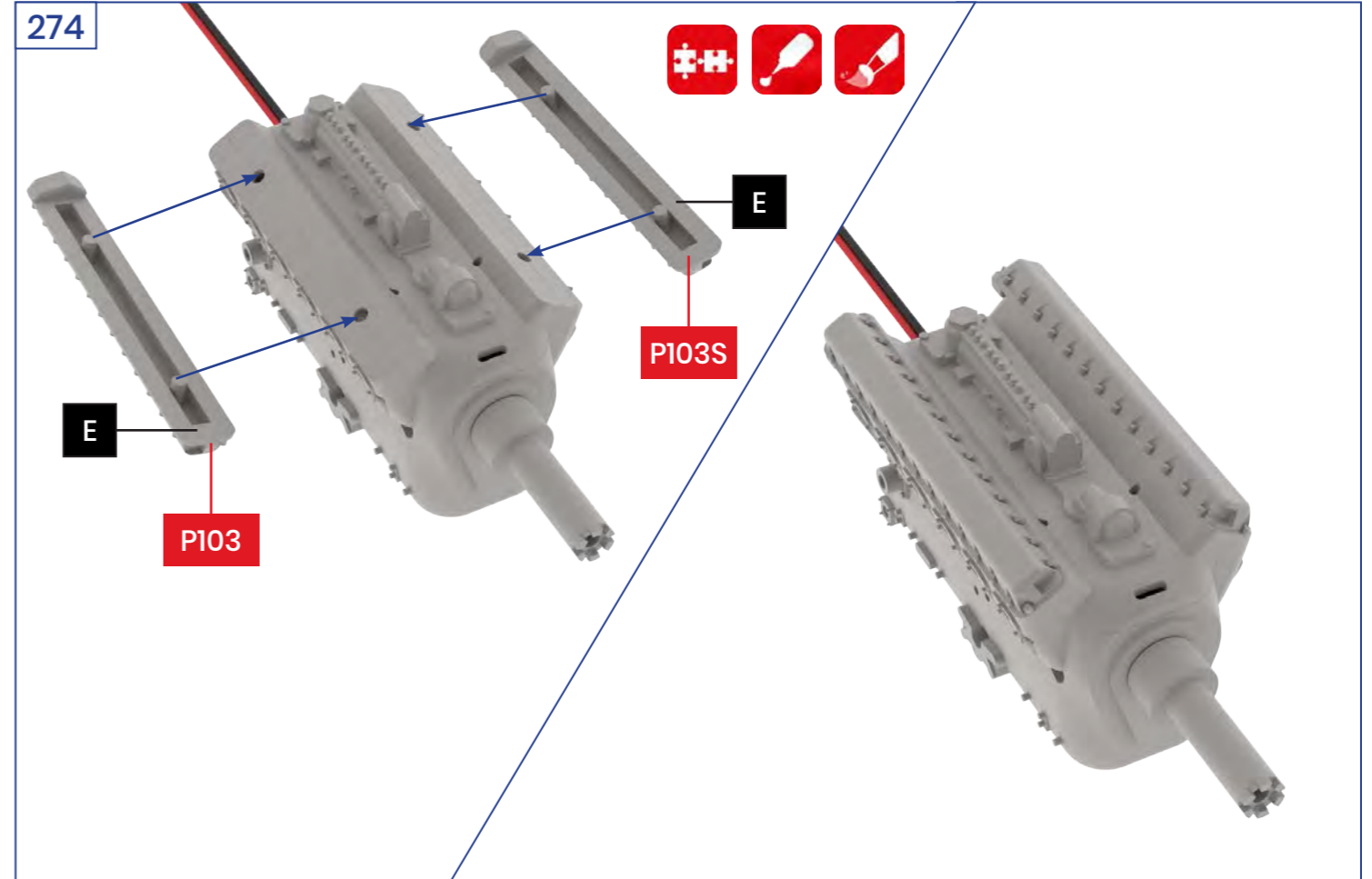
272



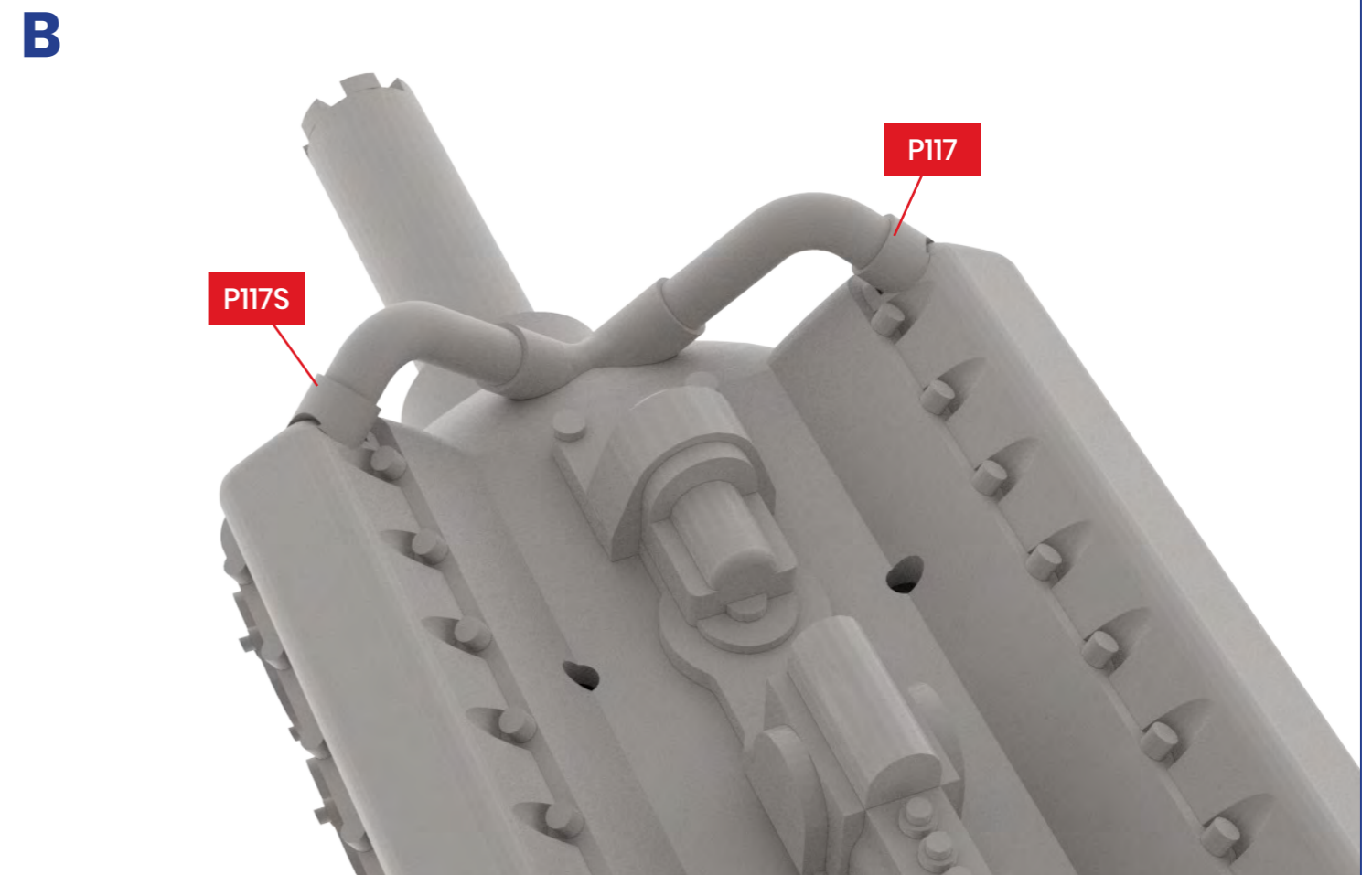
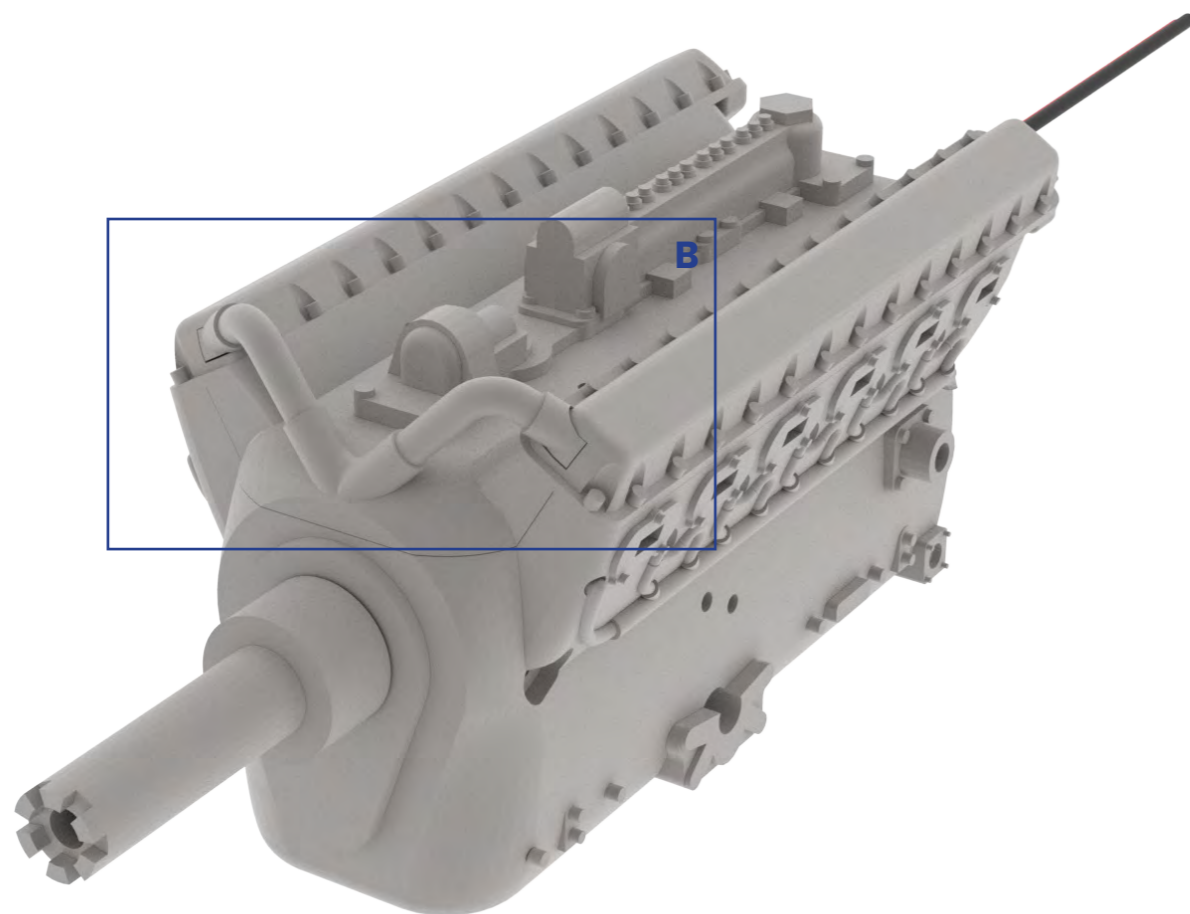
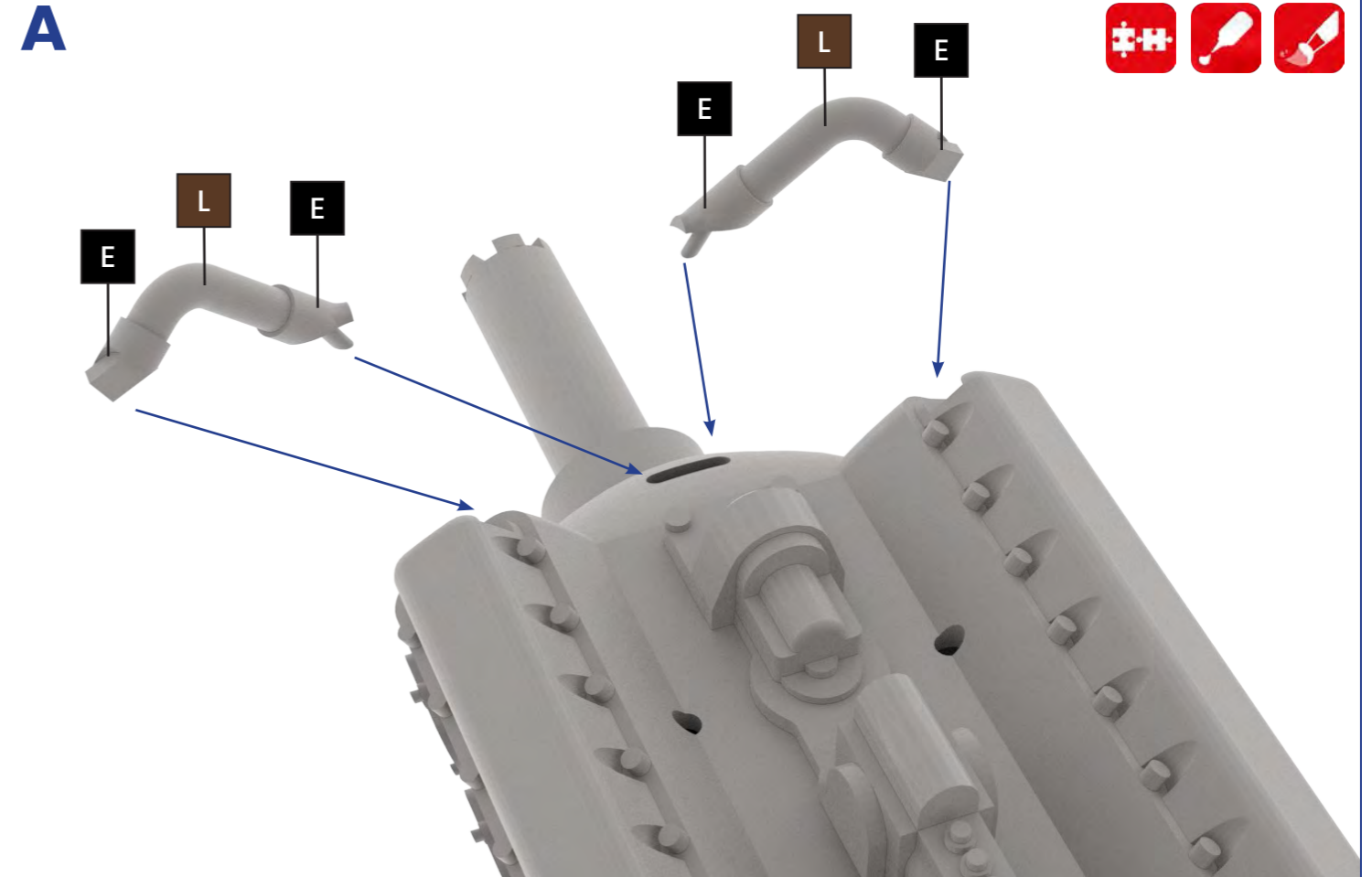
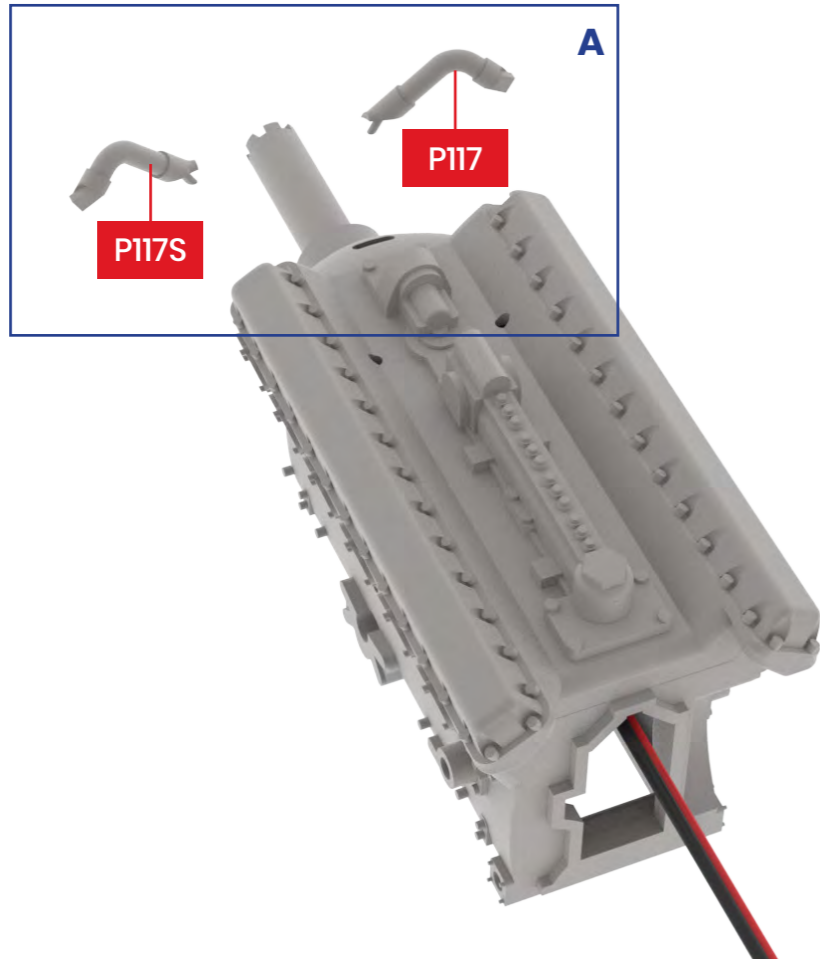
273



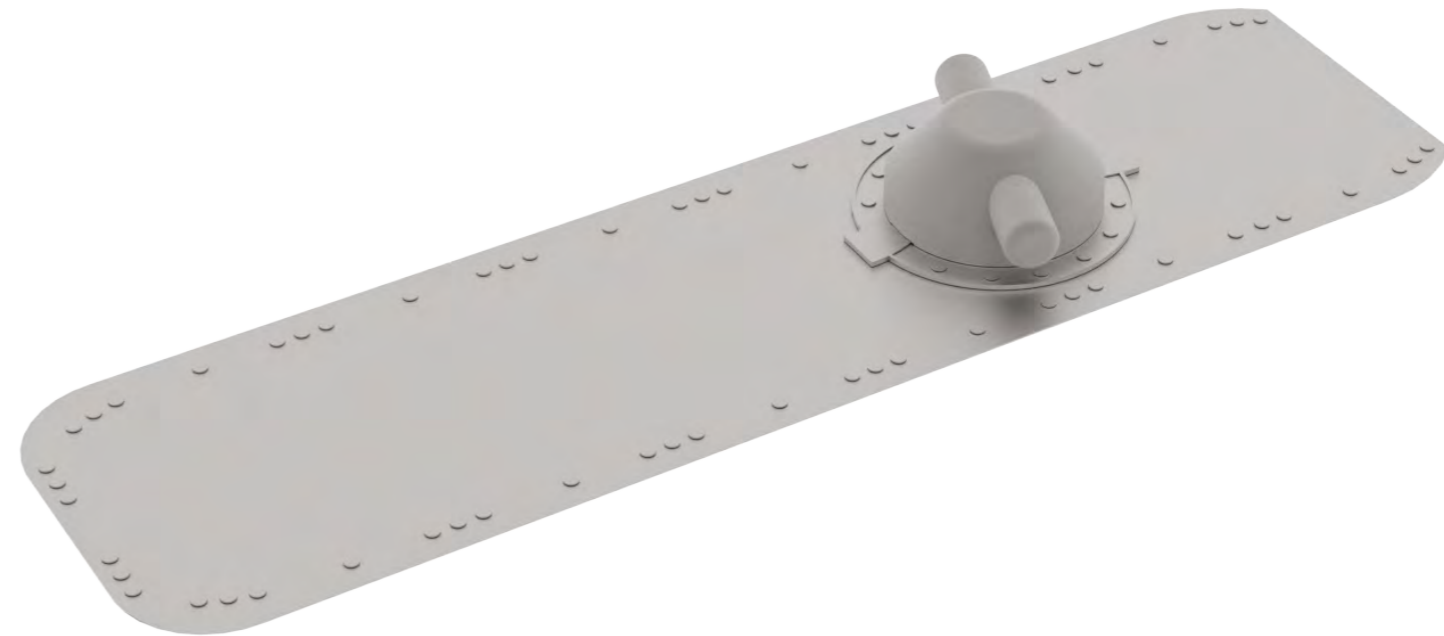
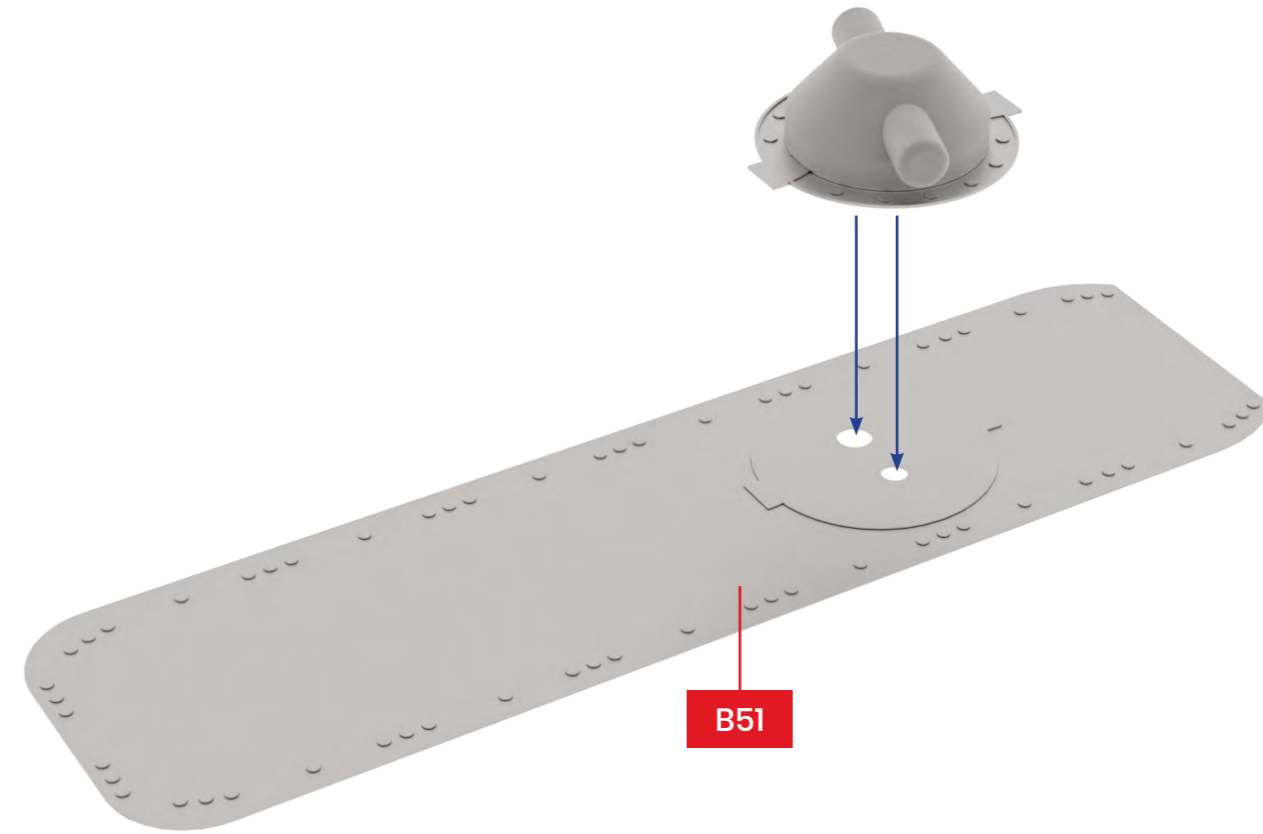
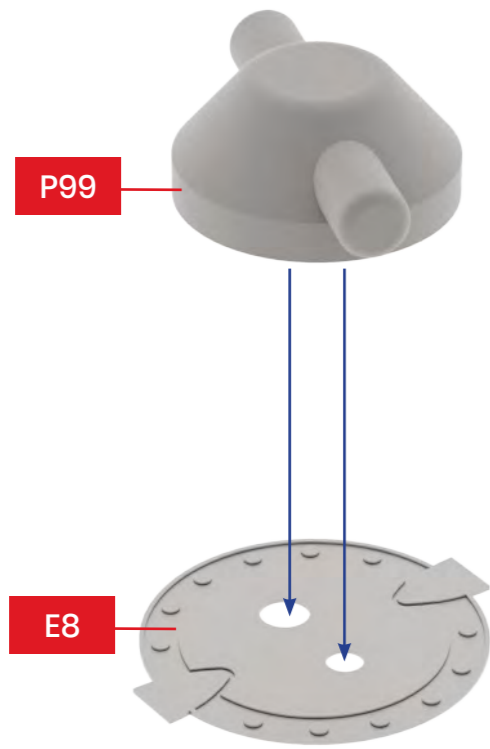
274



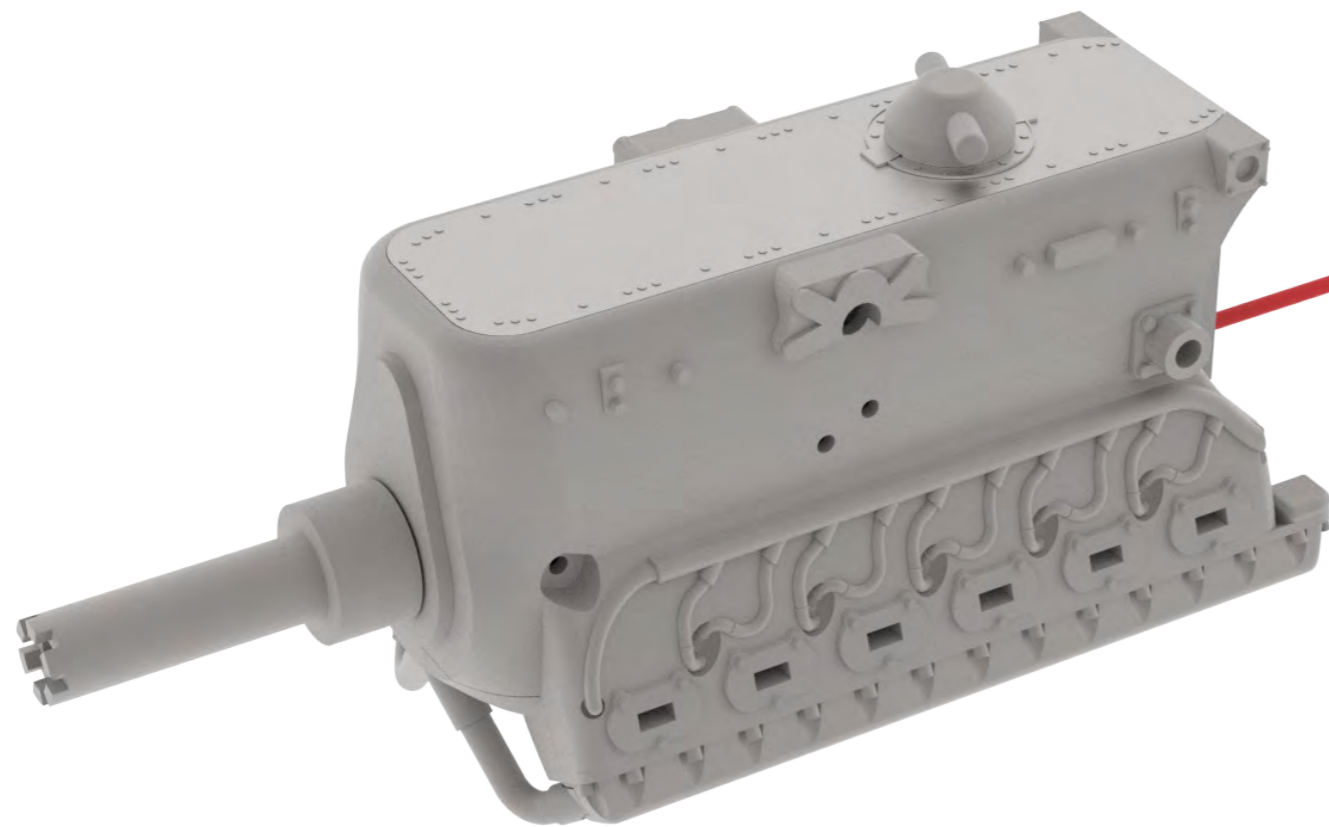
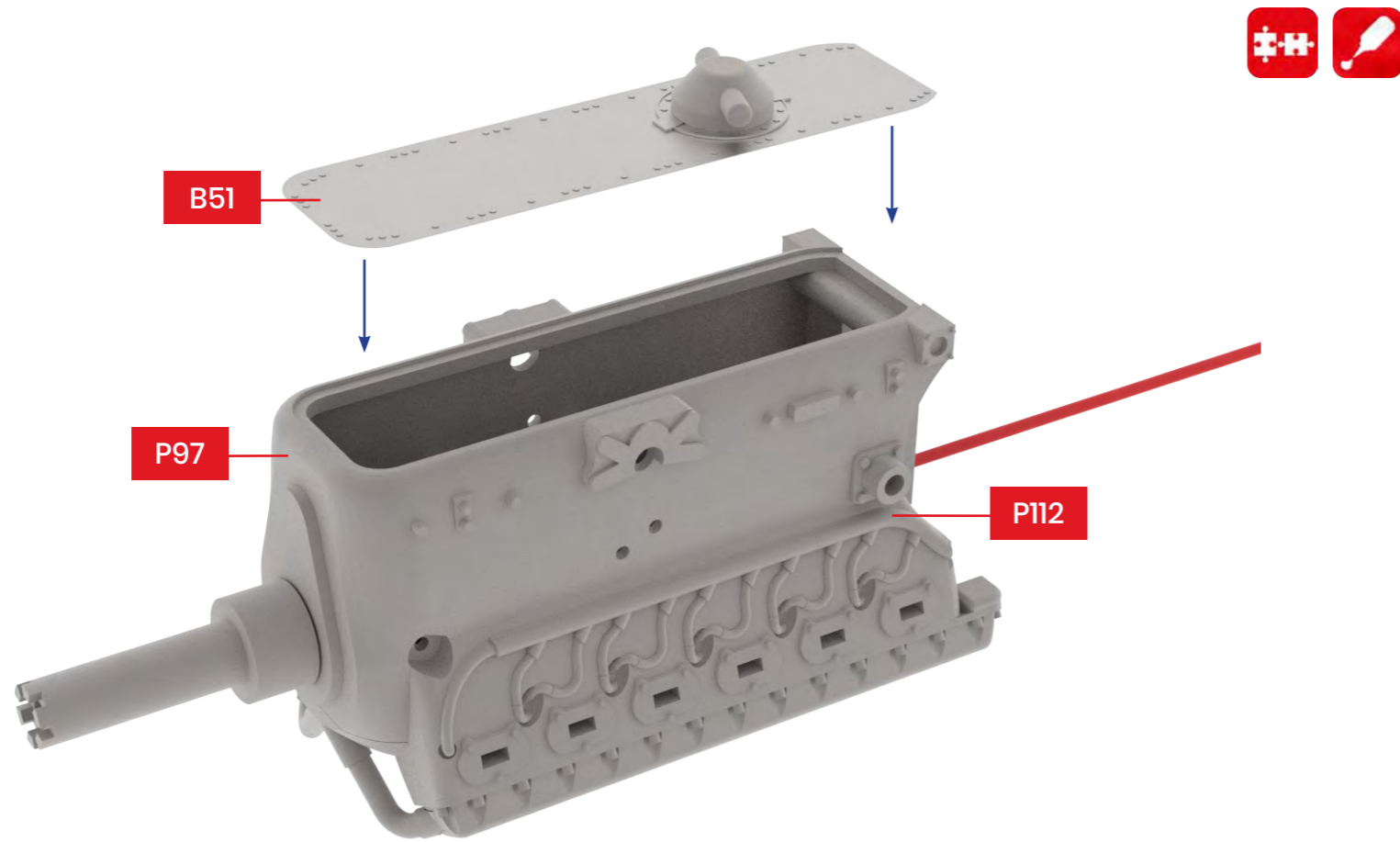
275



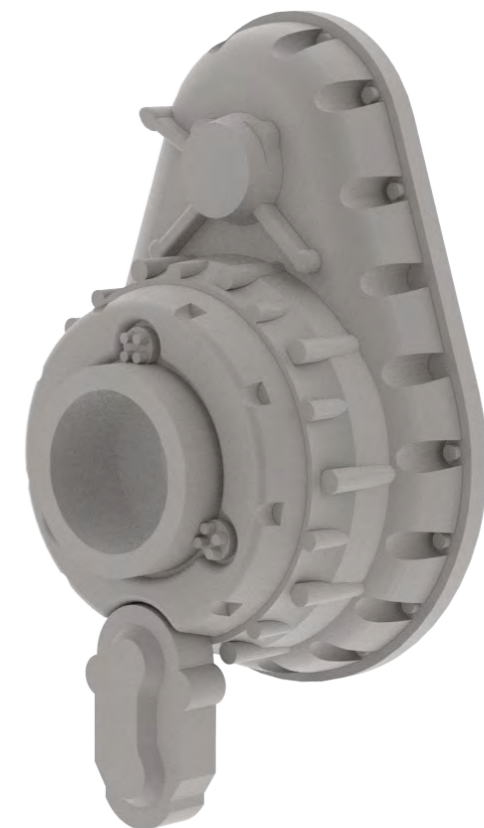
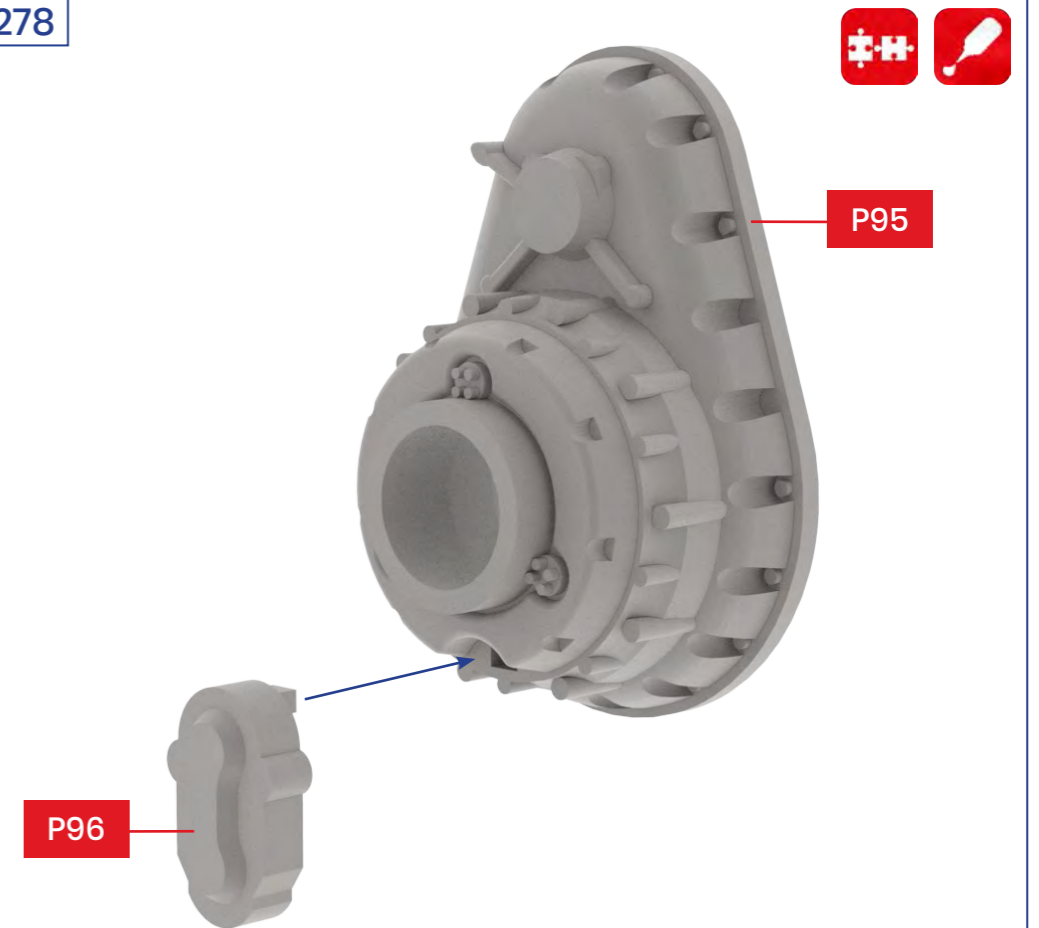
276



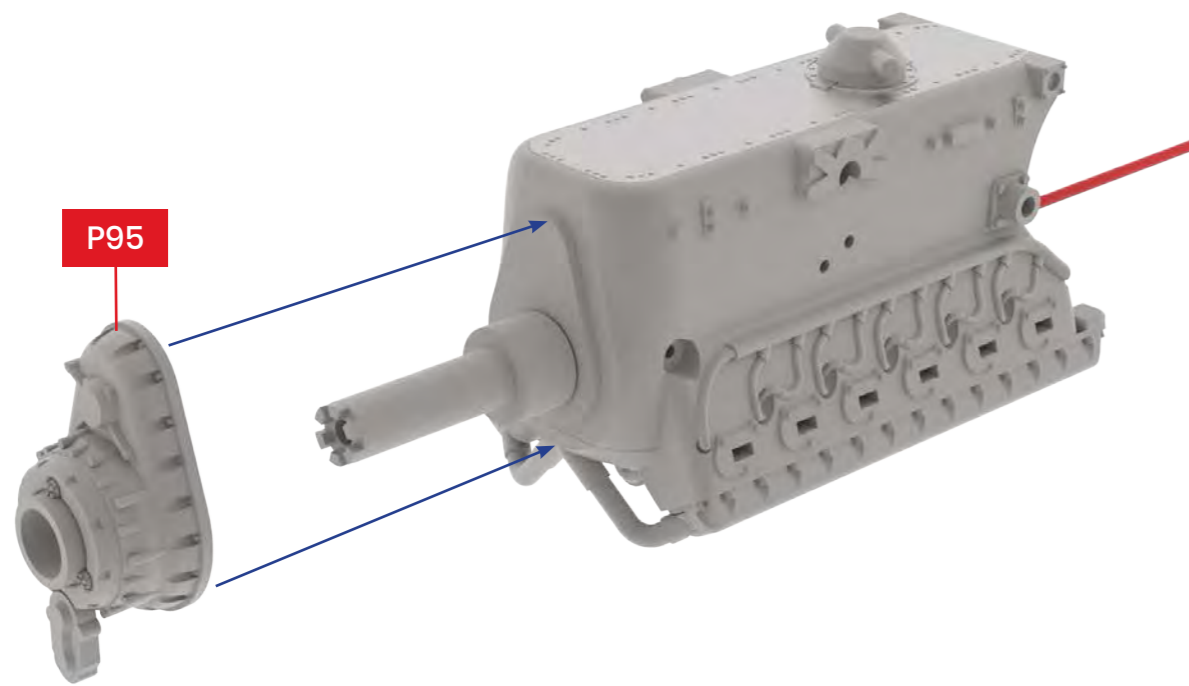
277



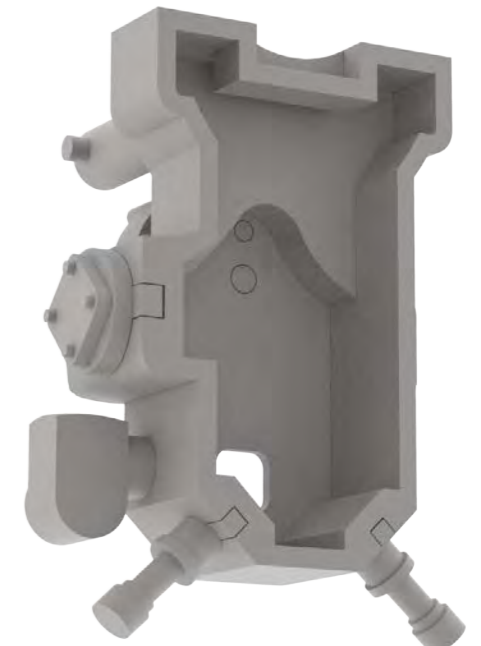
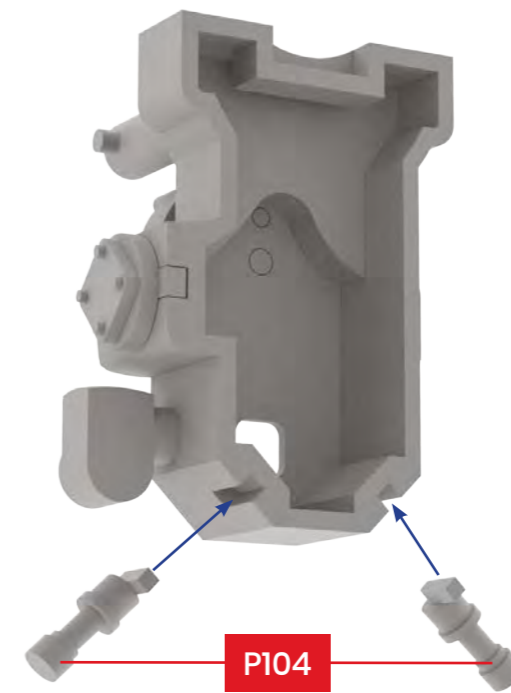
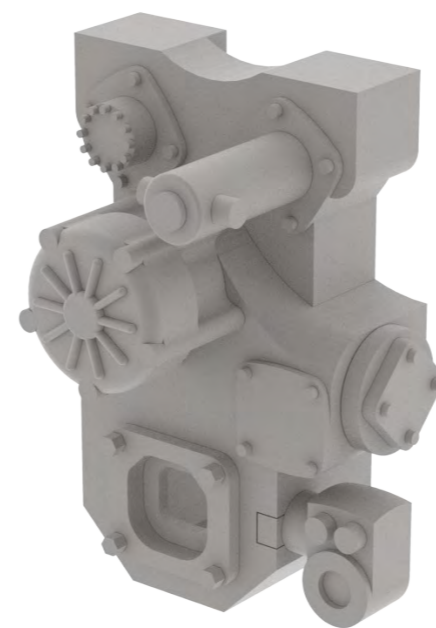
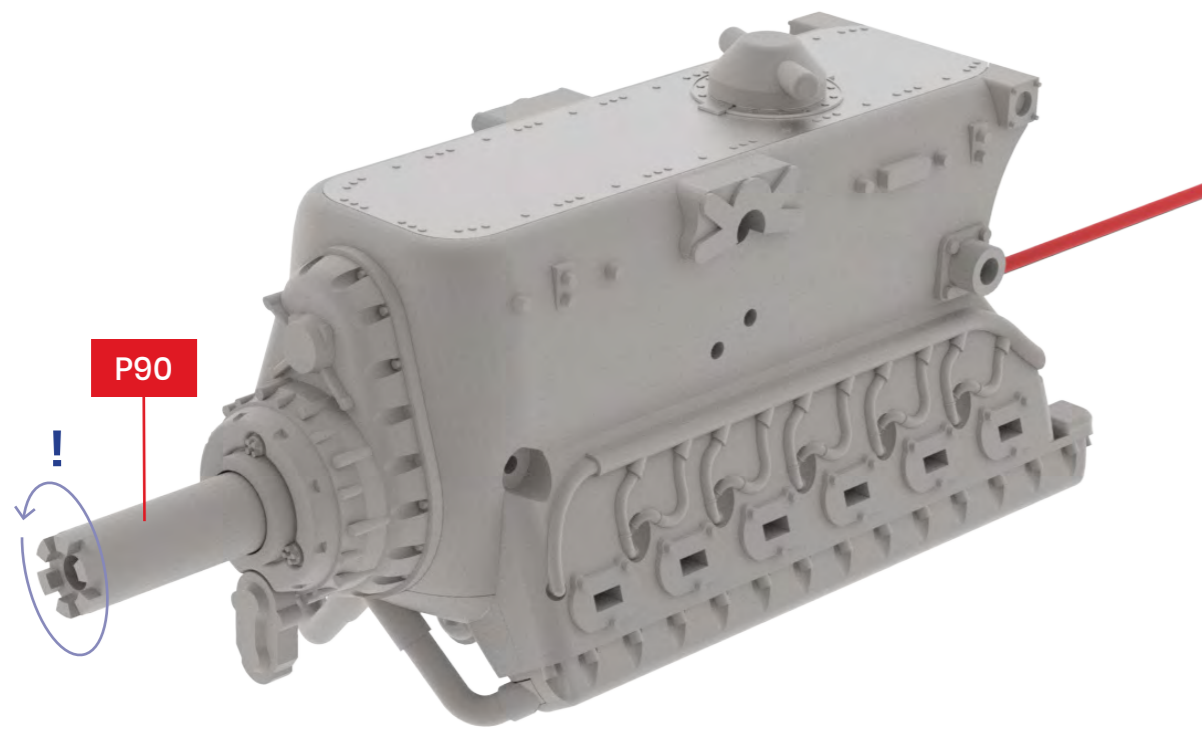
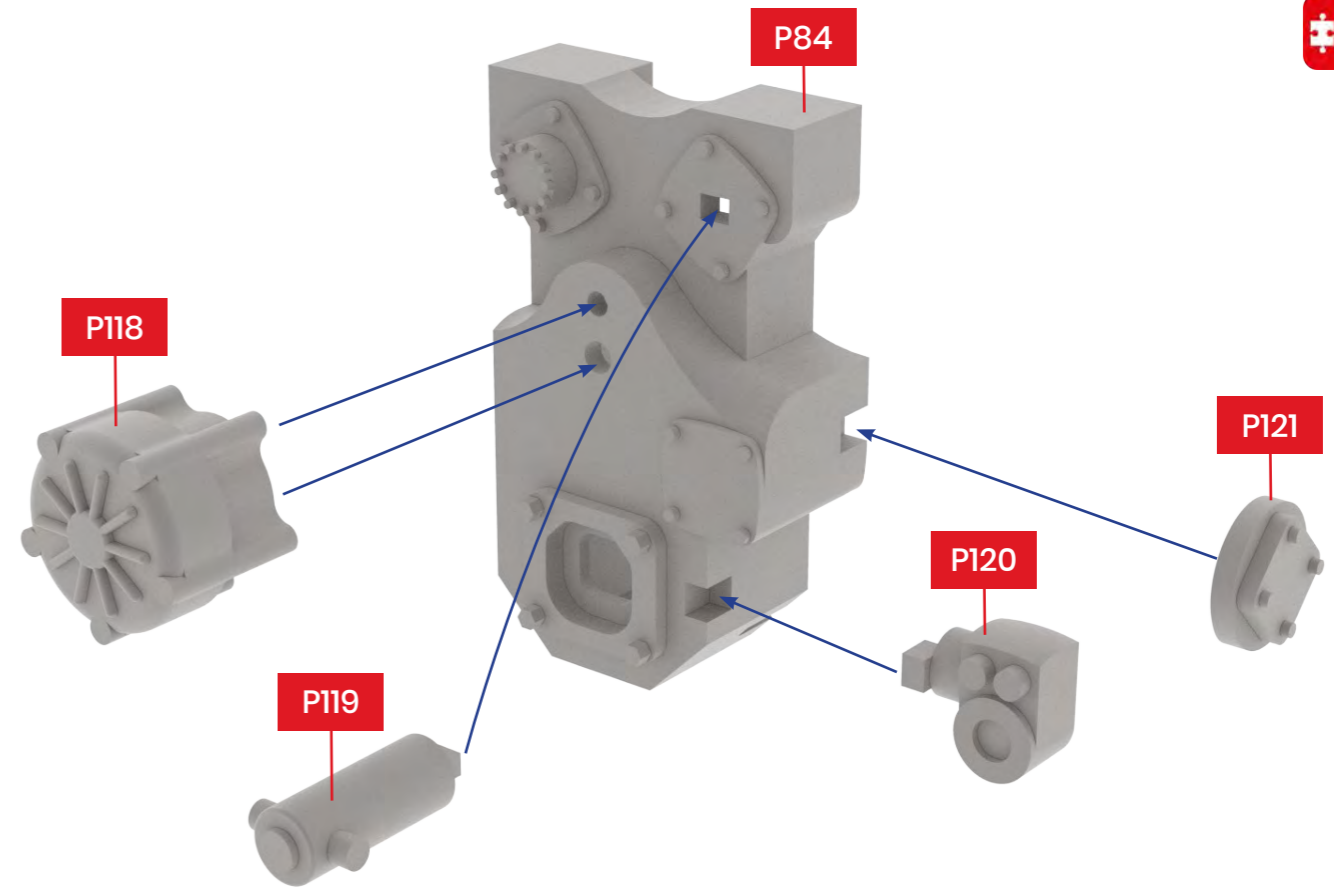
278



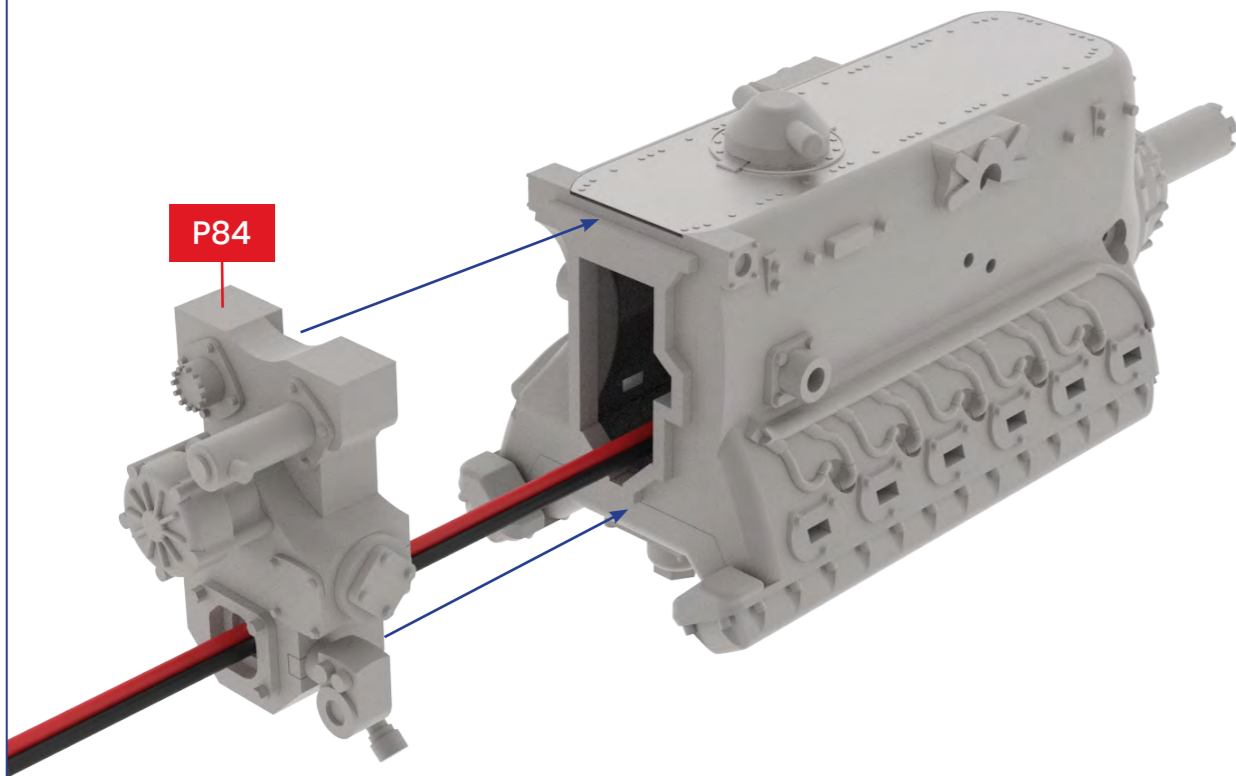
279



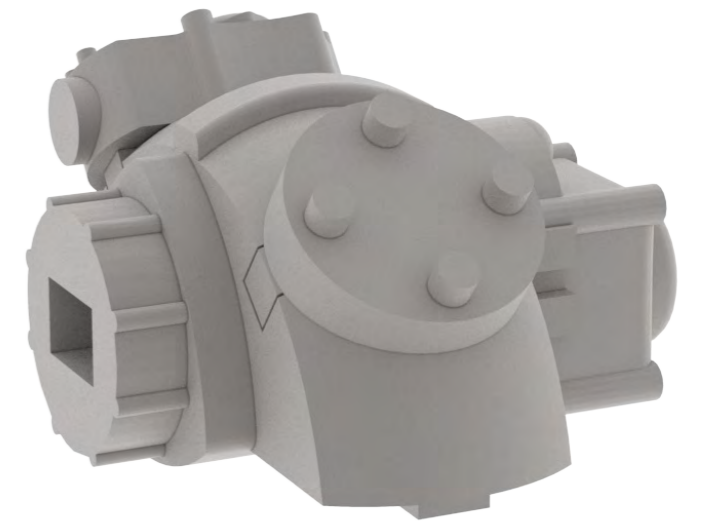
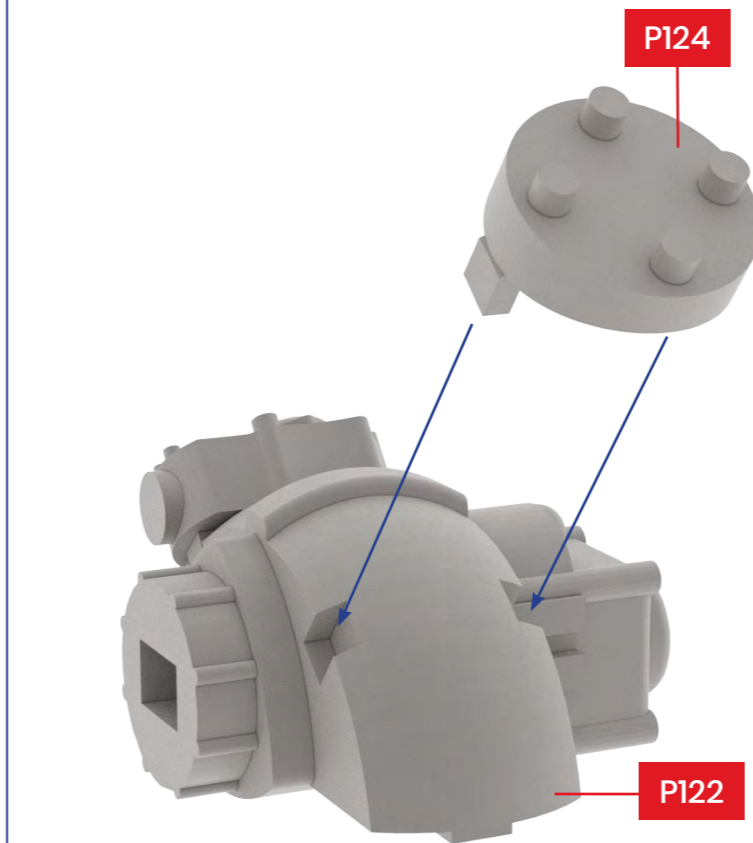
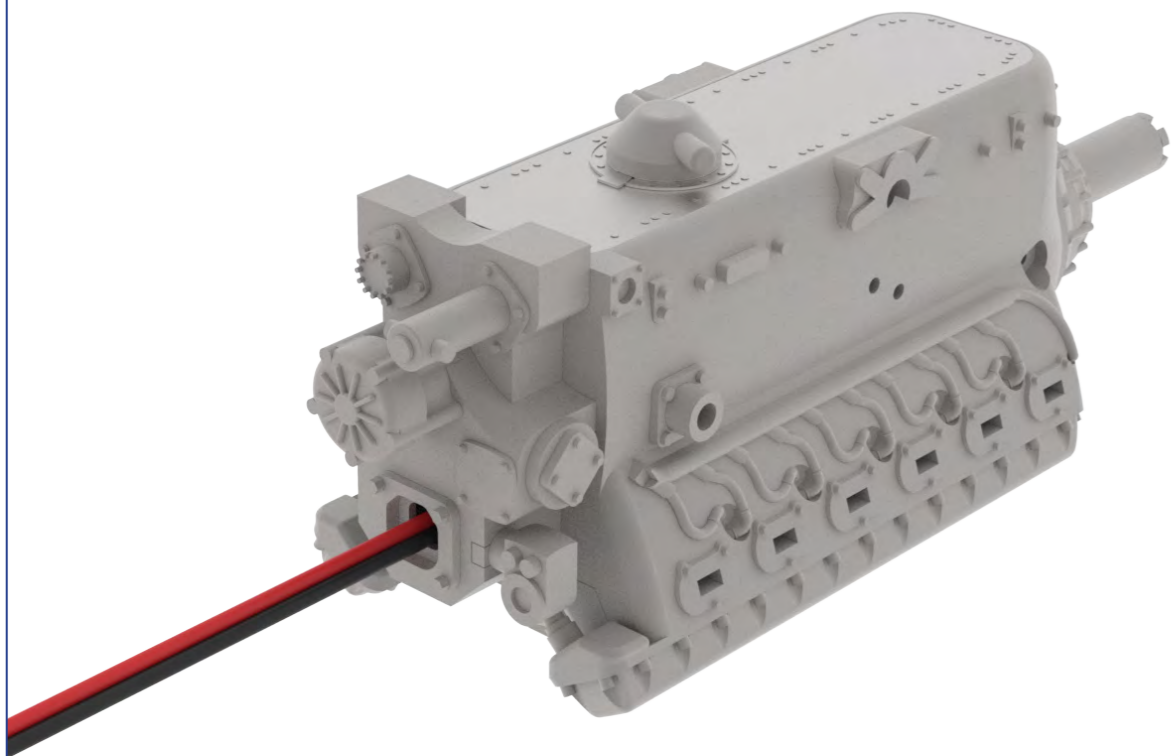
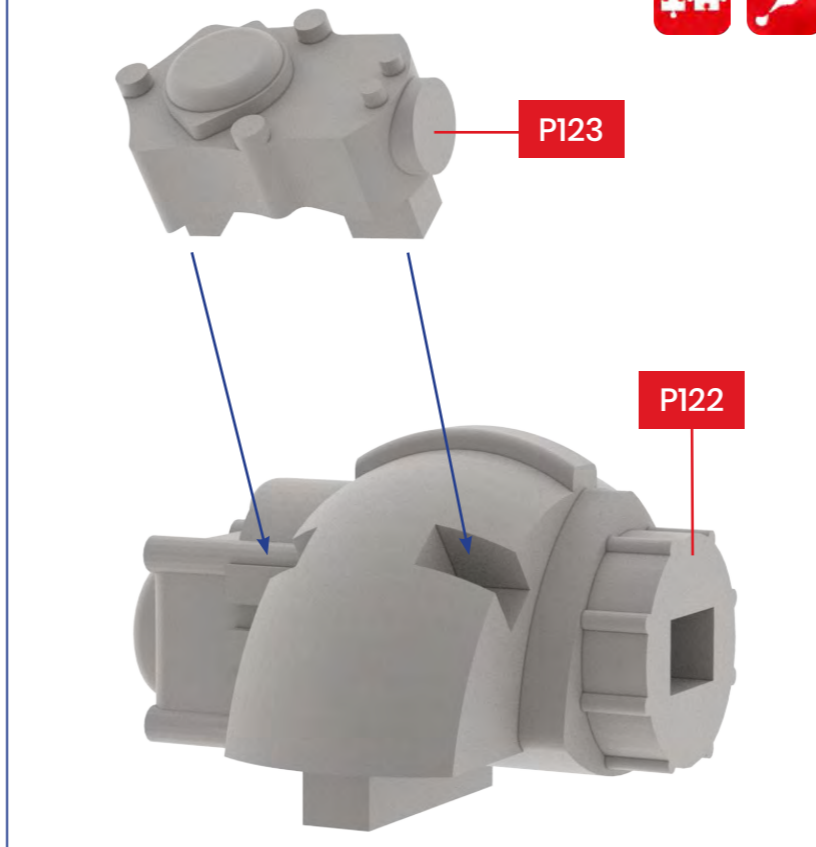
280



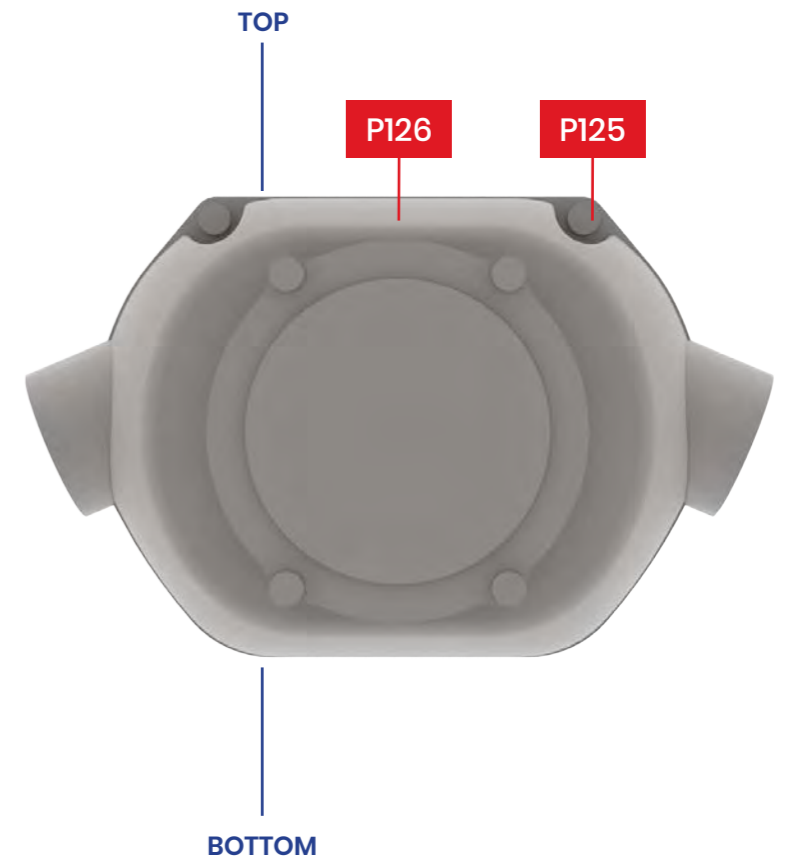
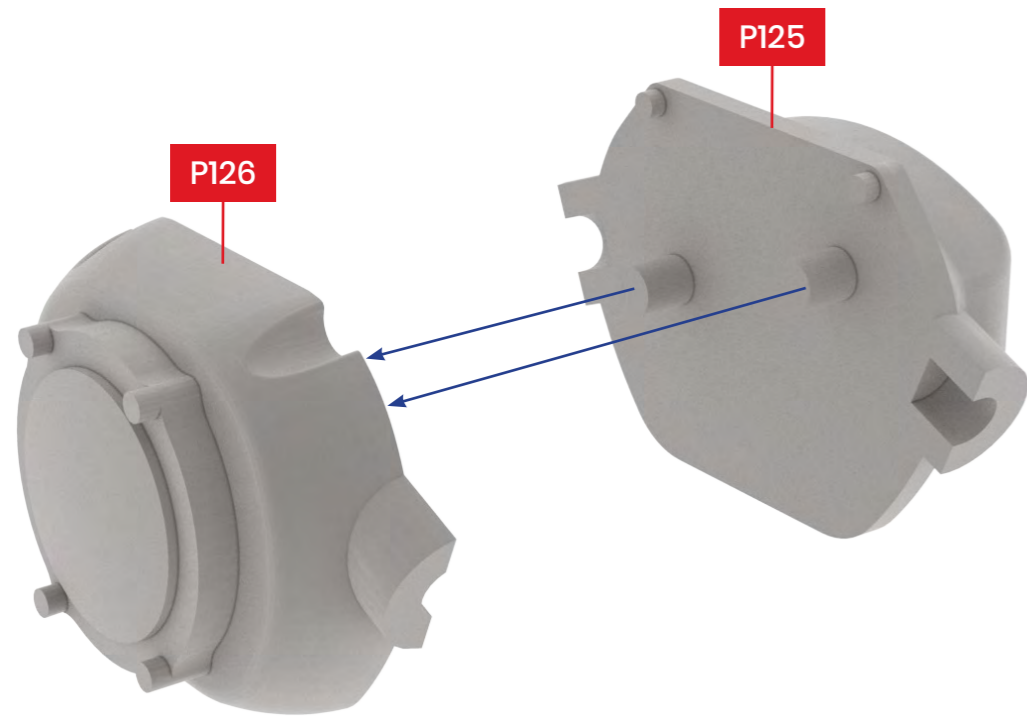
281



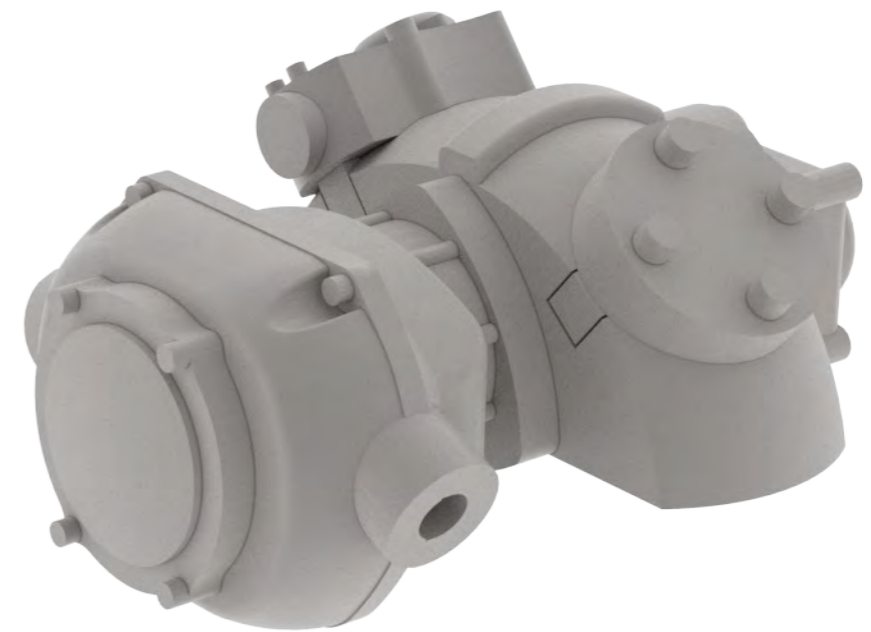
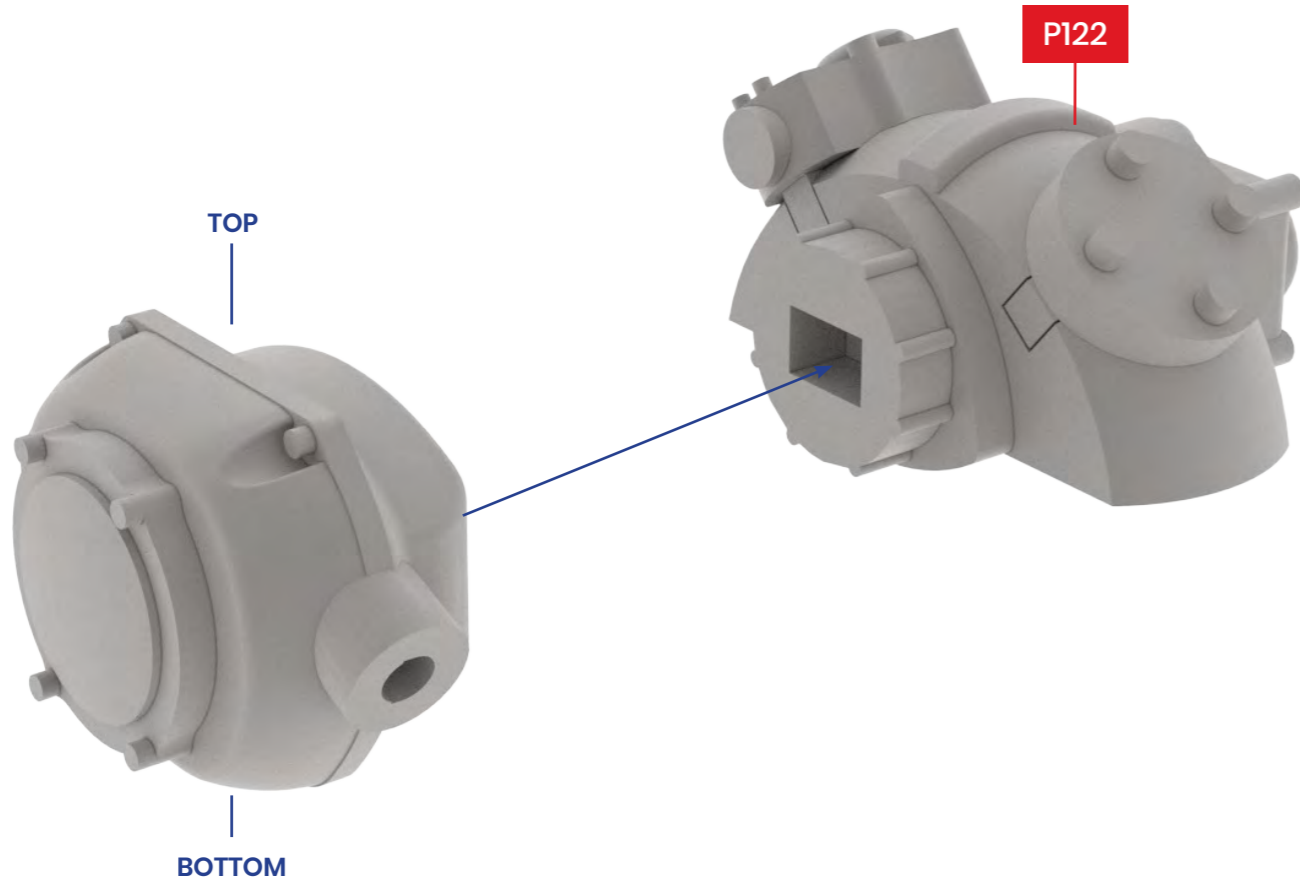
282



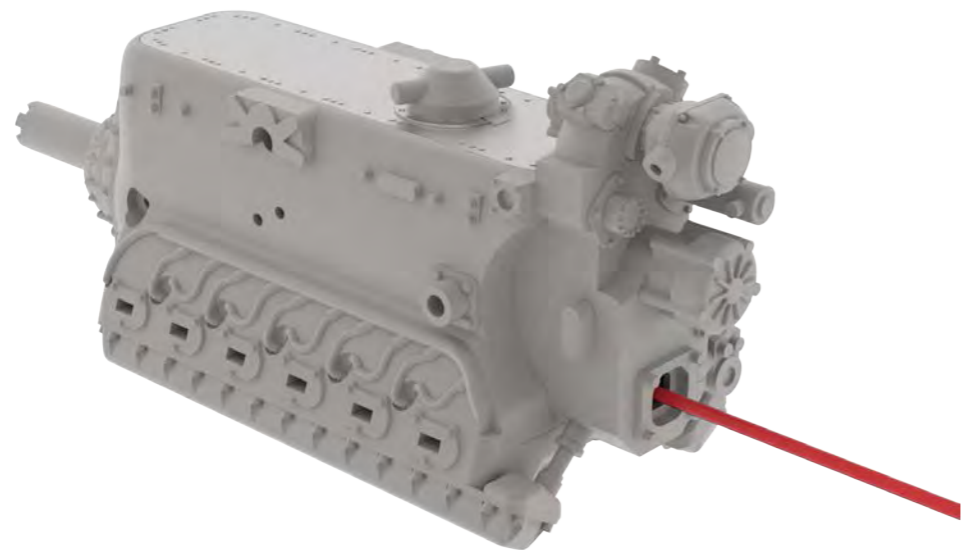
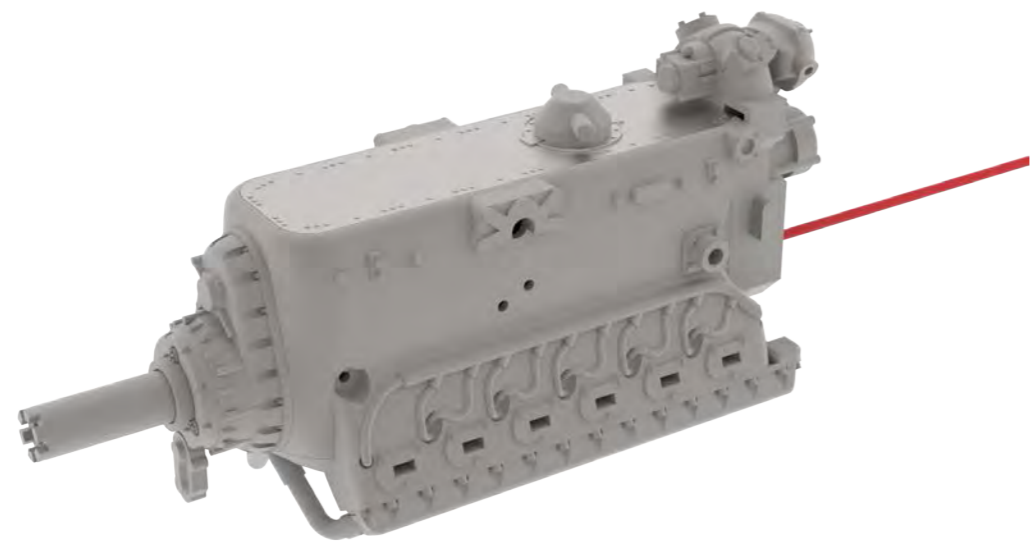
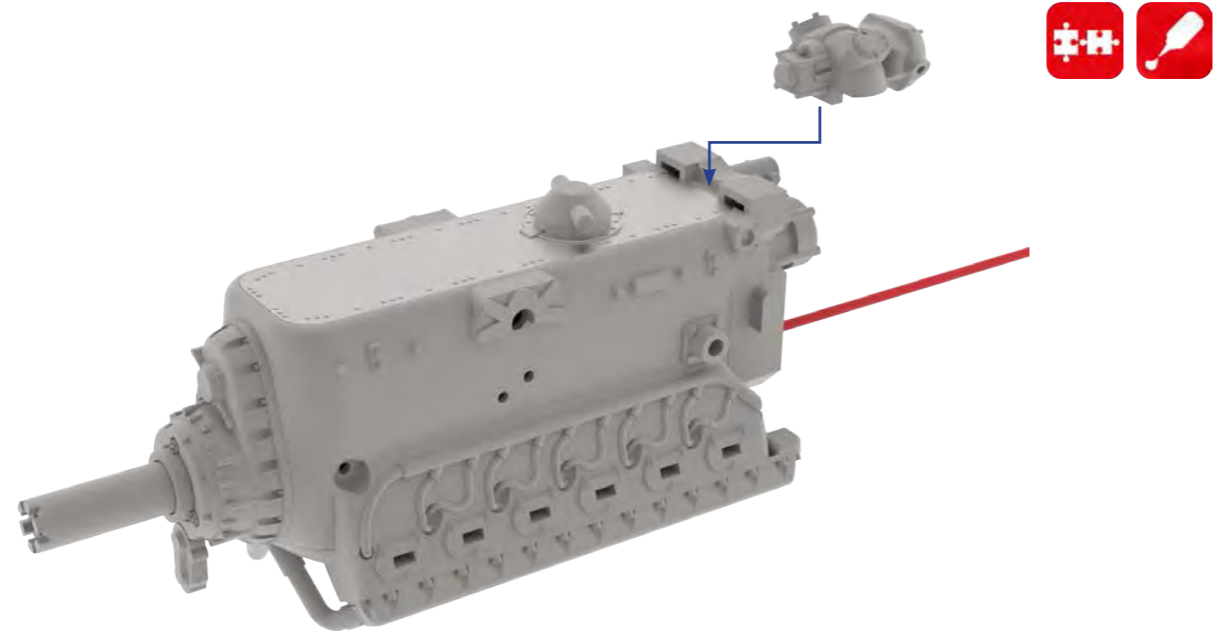
283



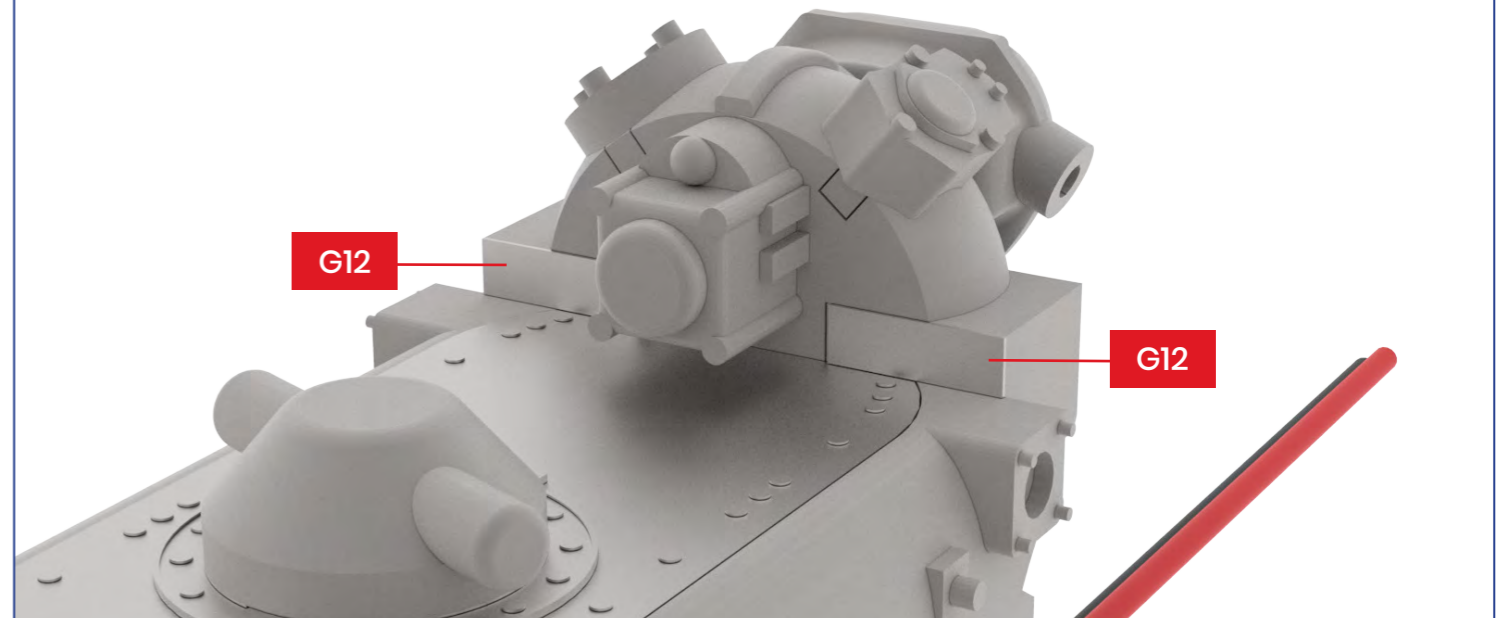
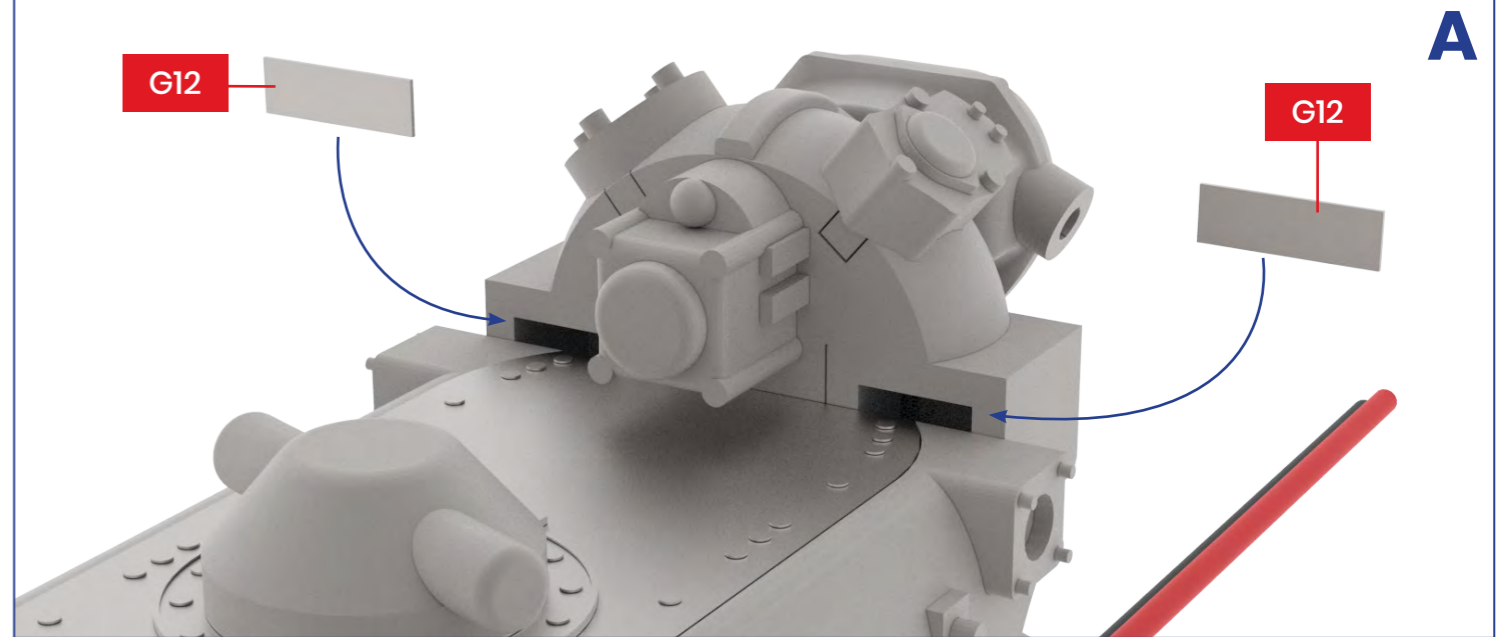
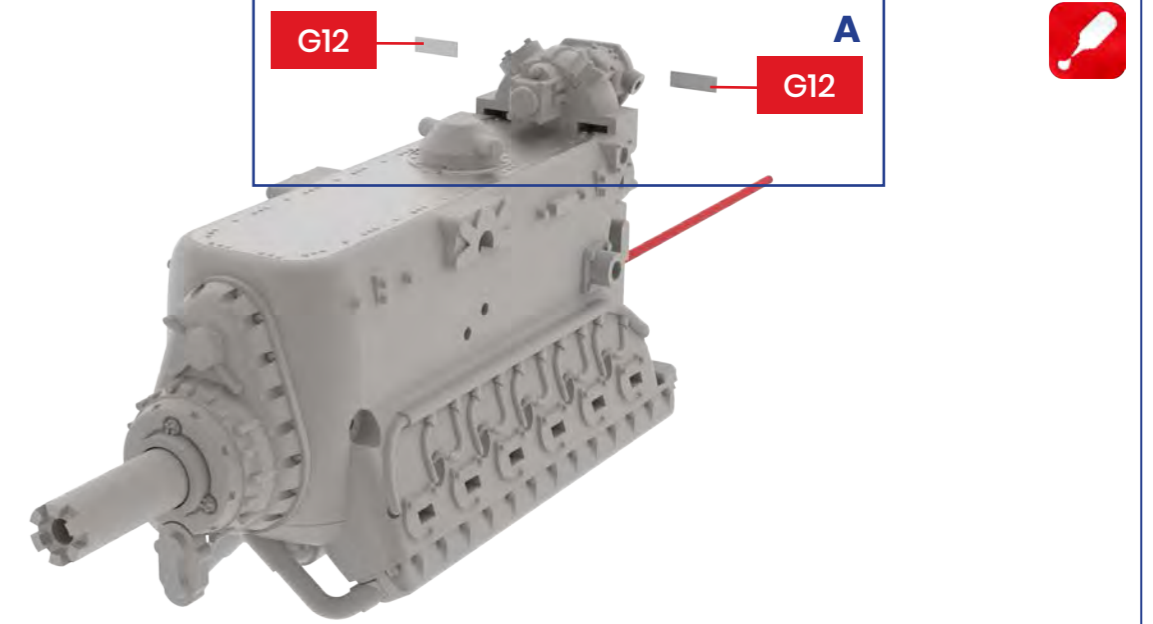
284



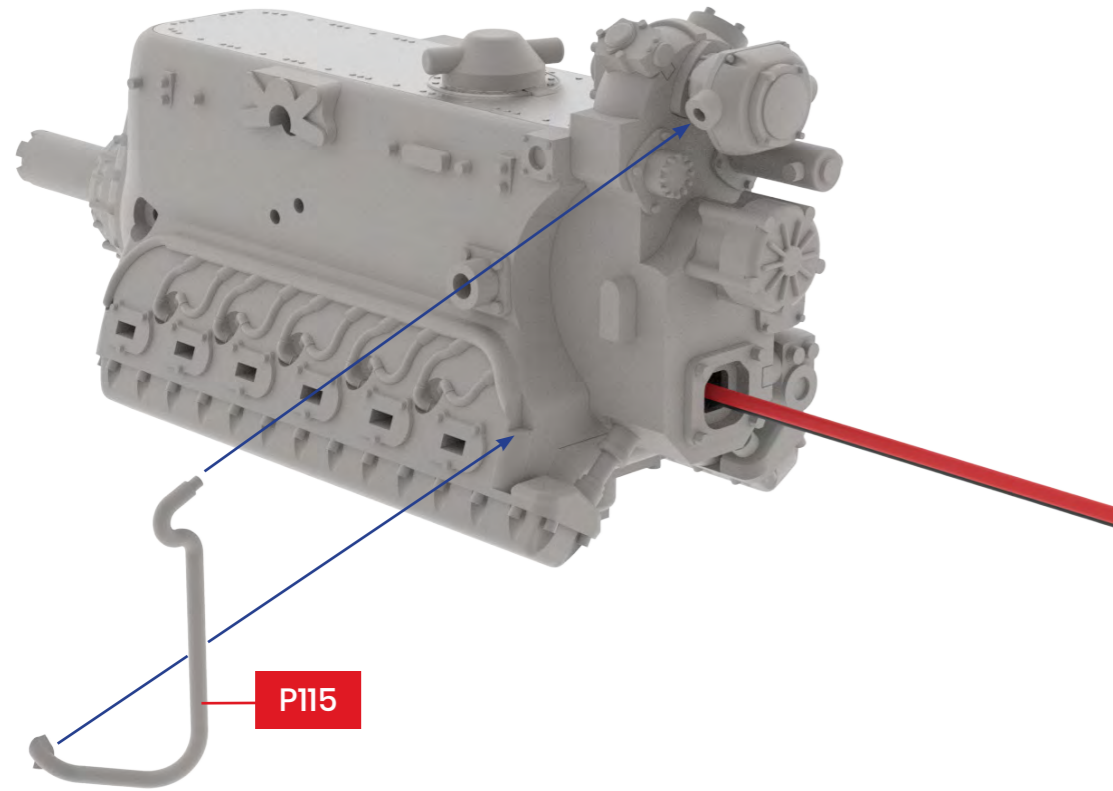
285



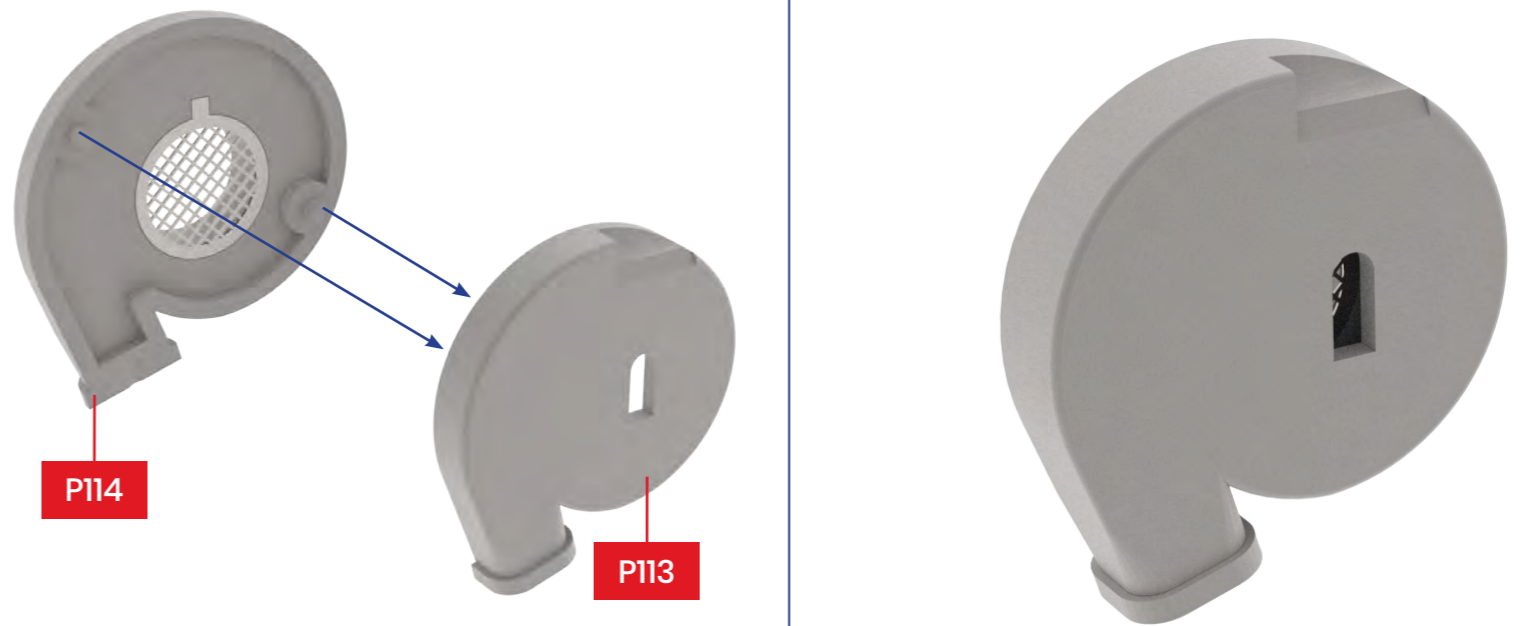
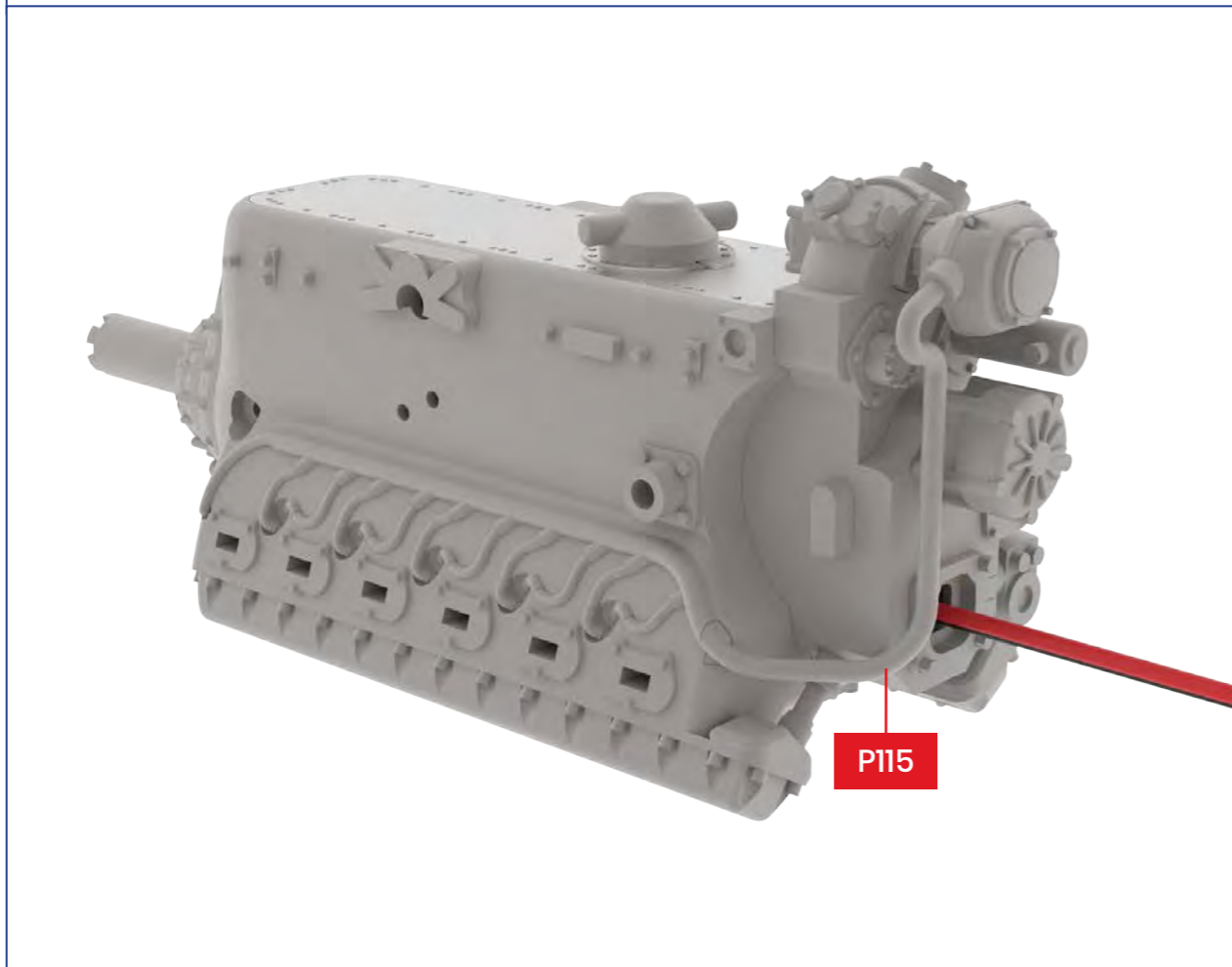
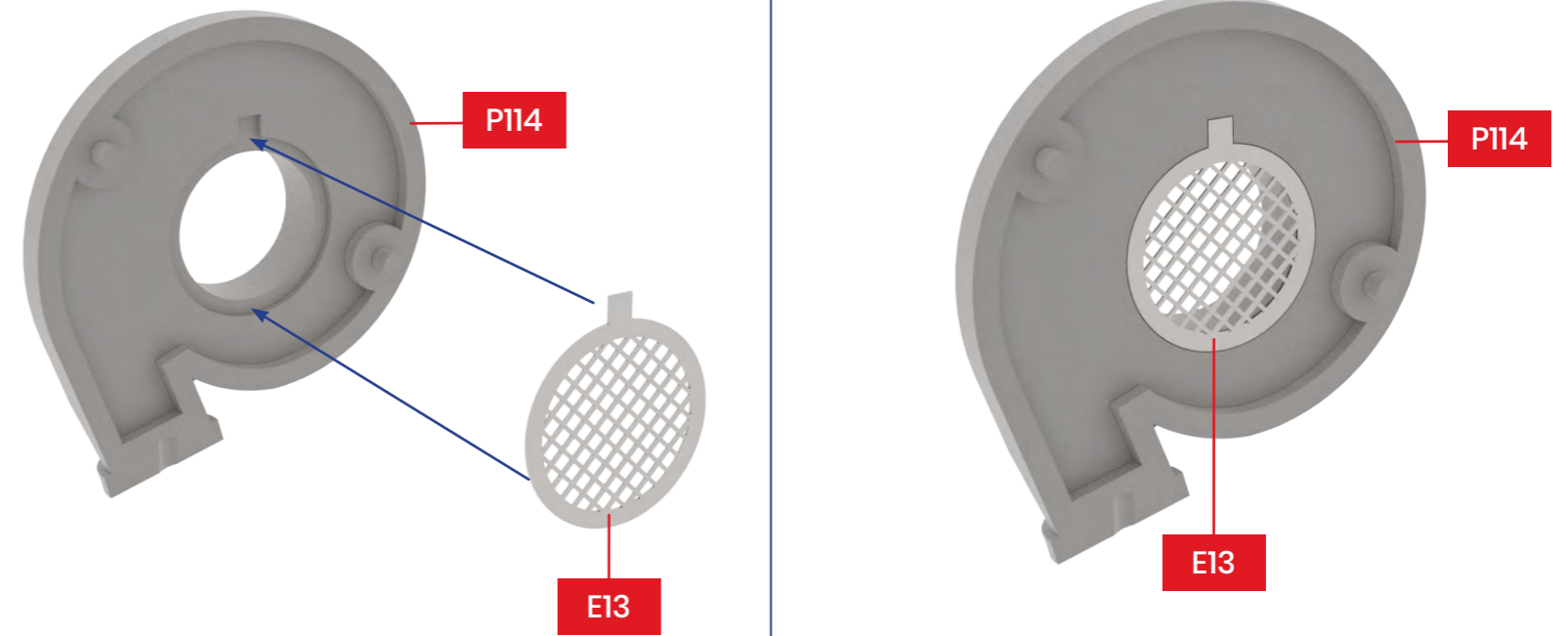
286



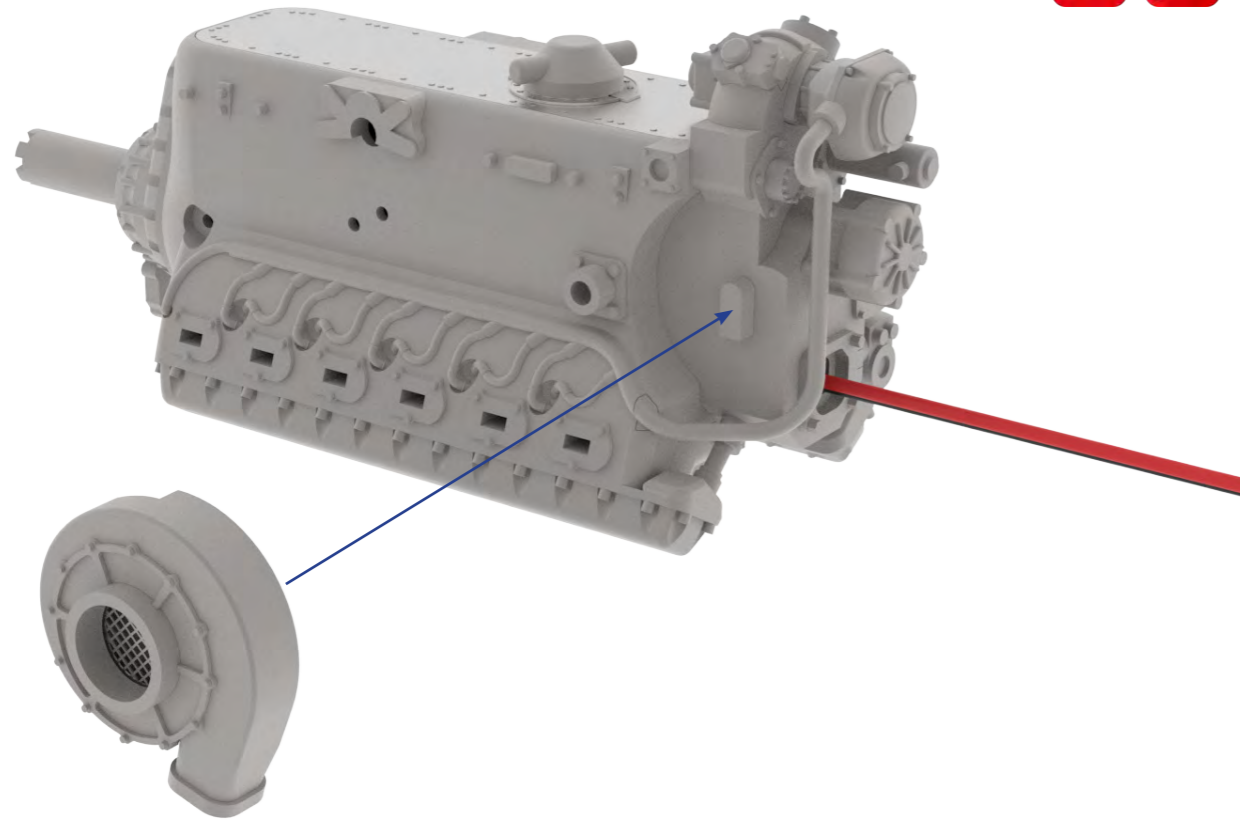
287



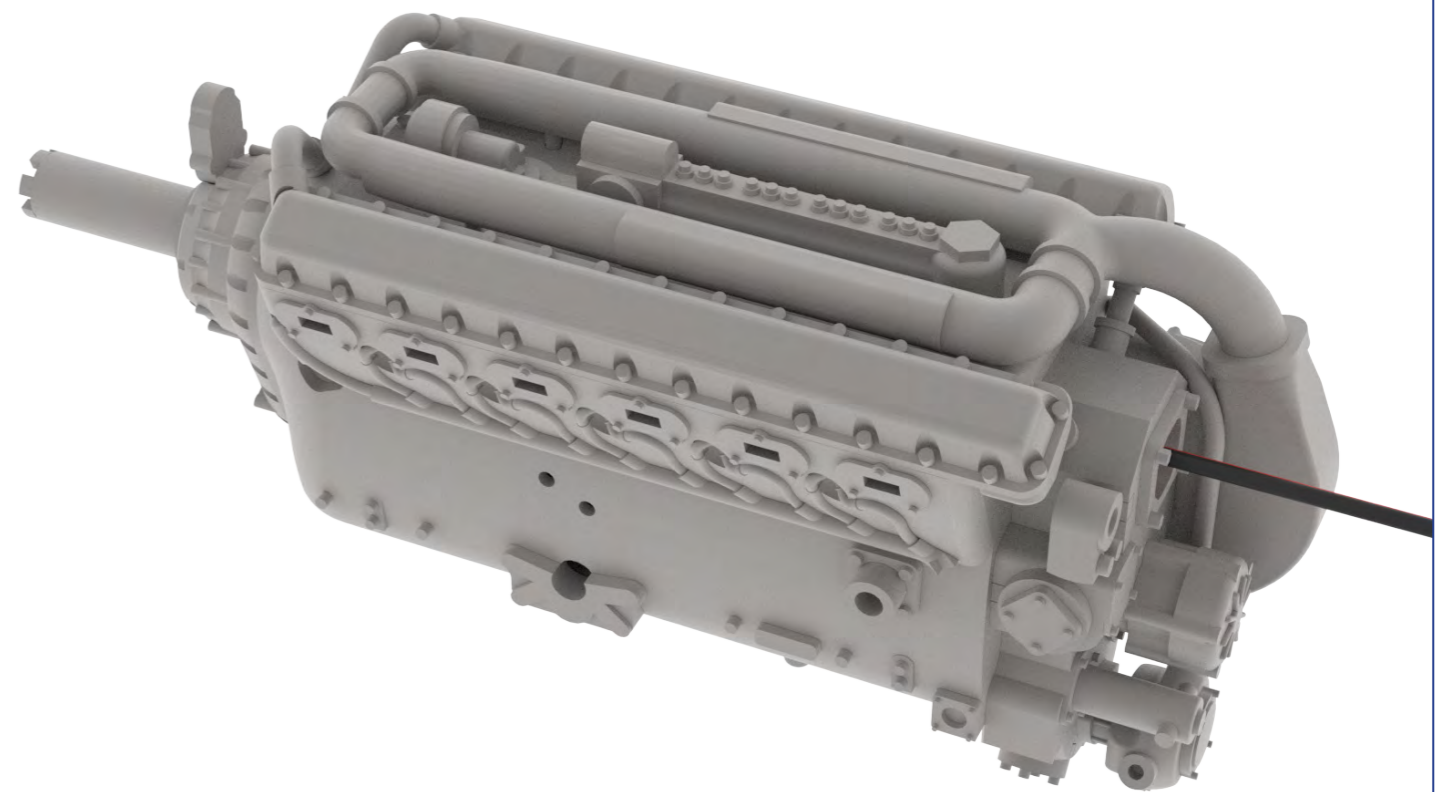
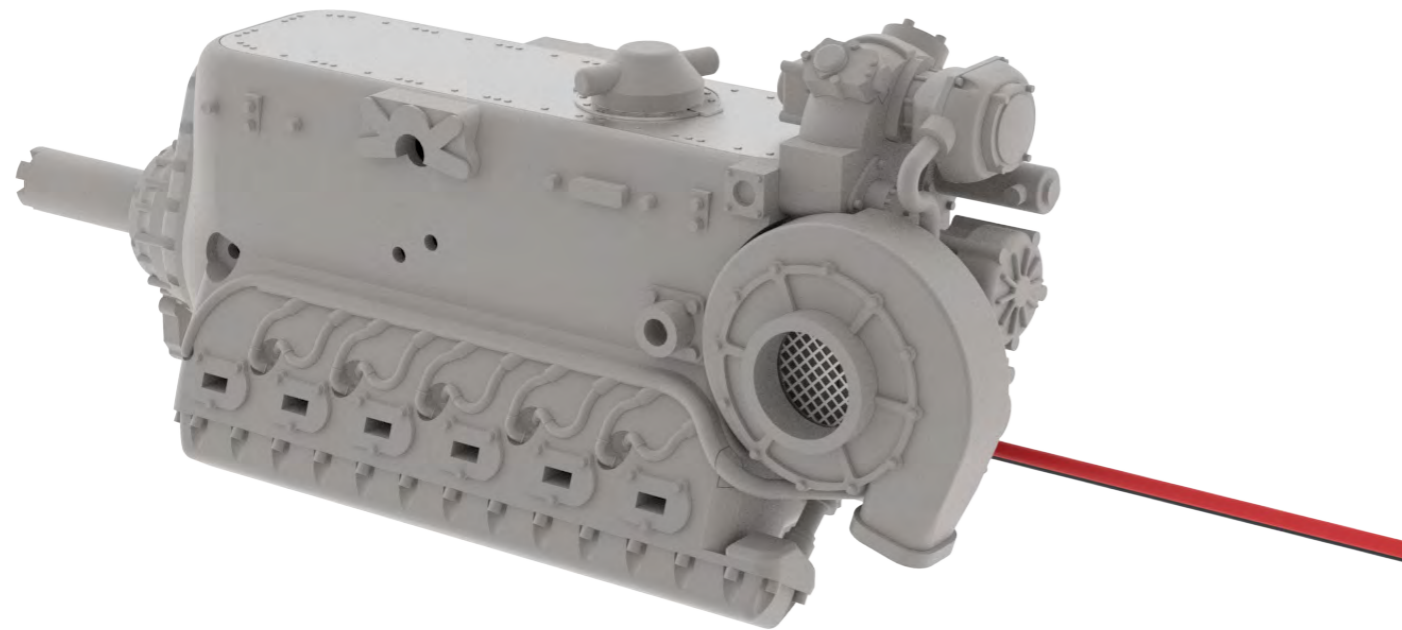
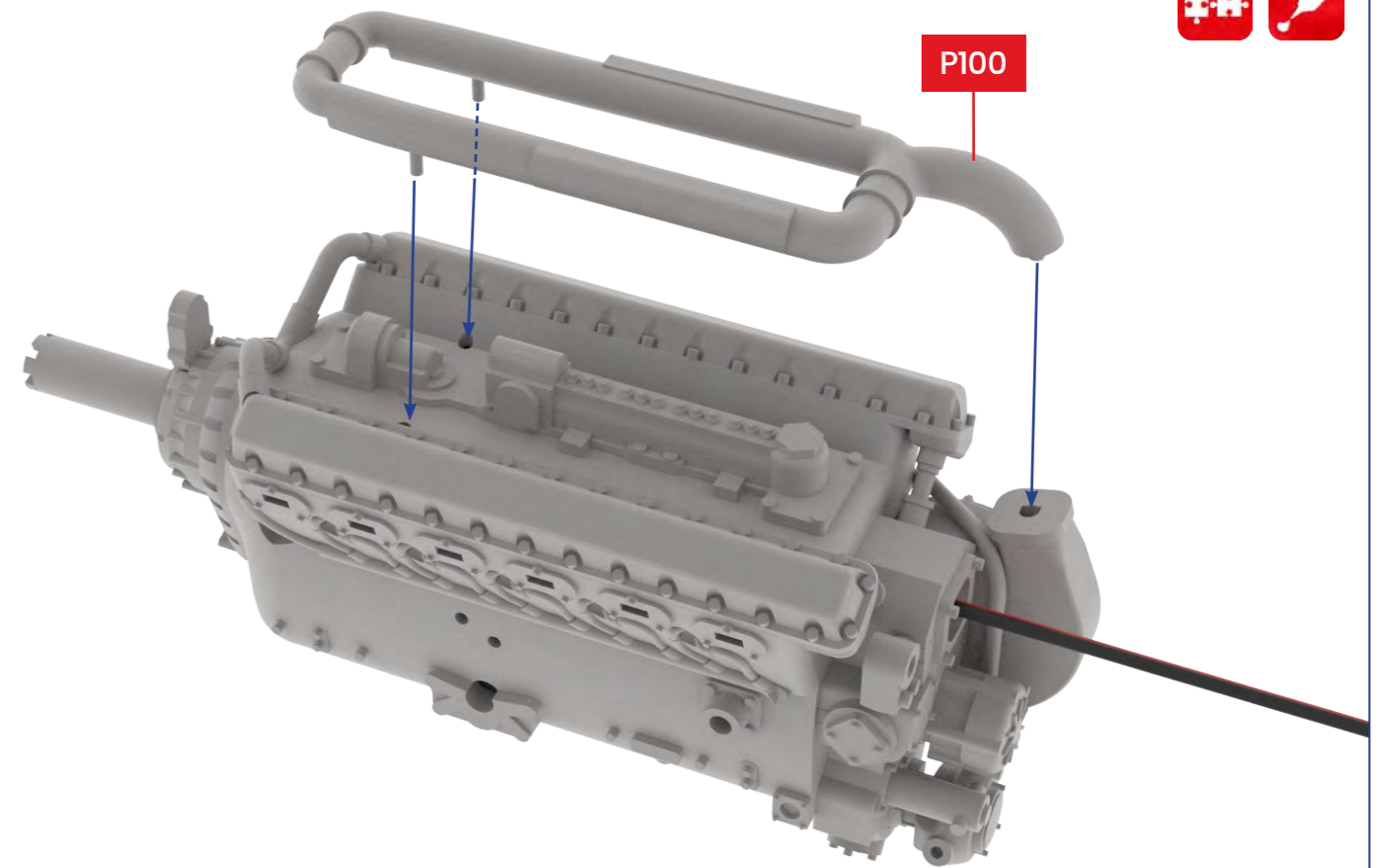
288



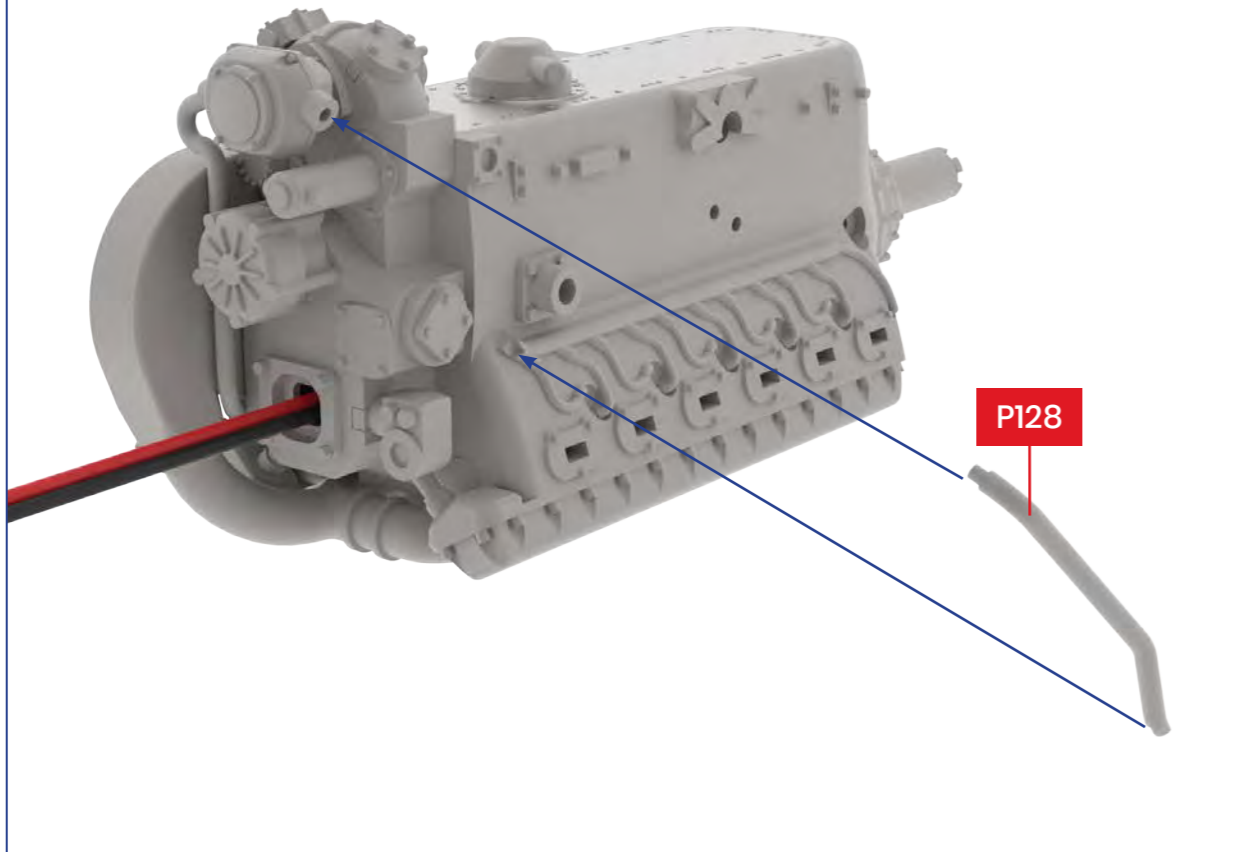
289



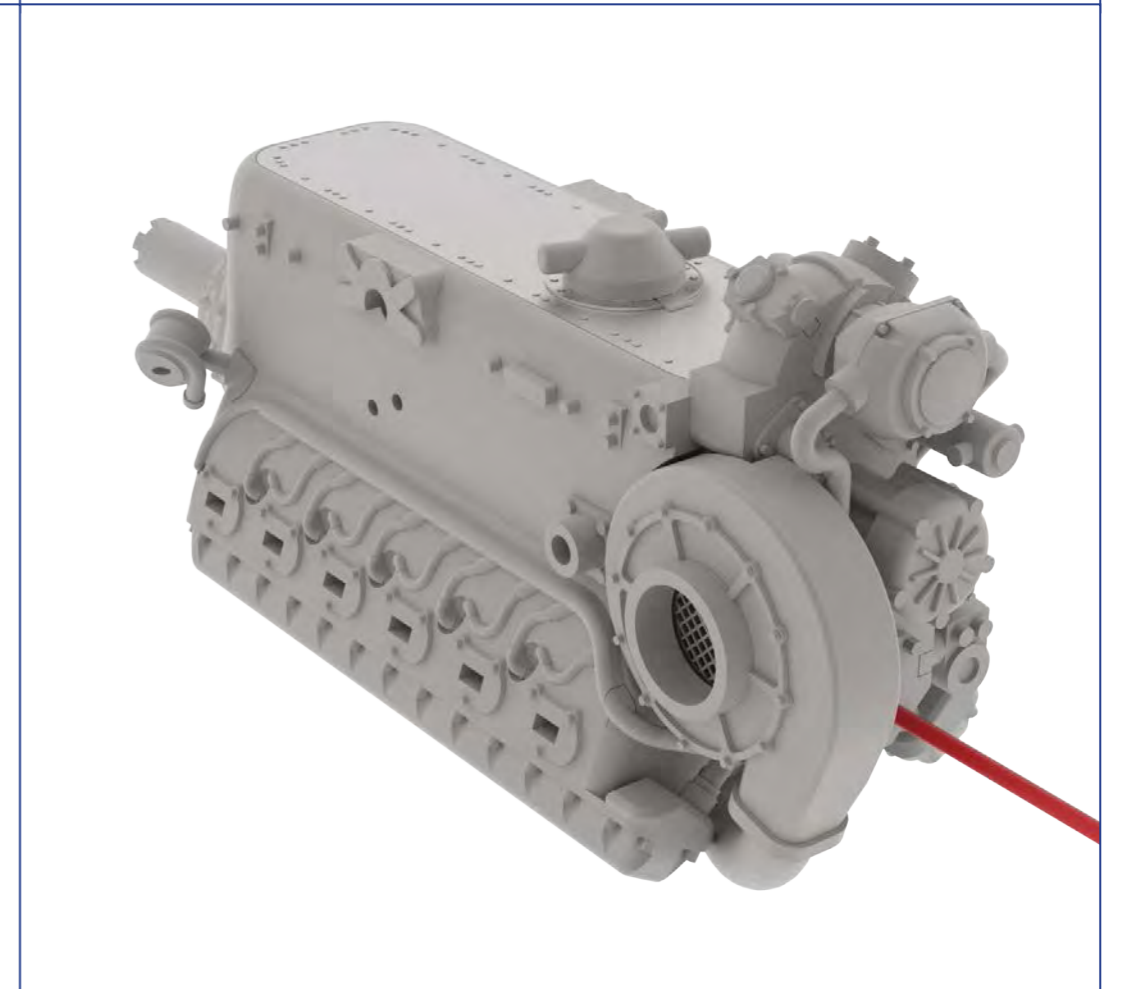
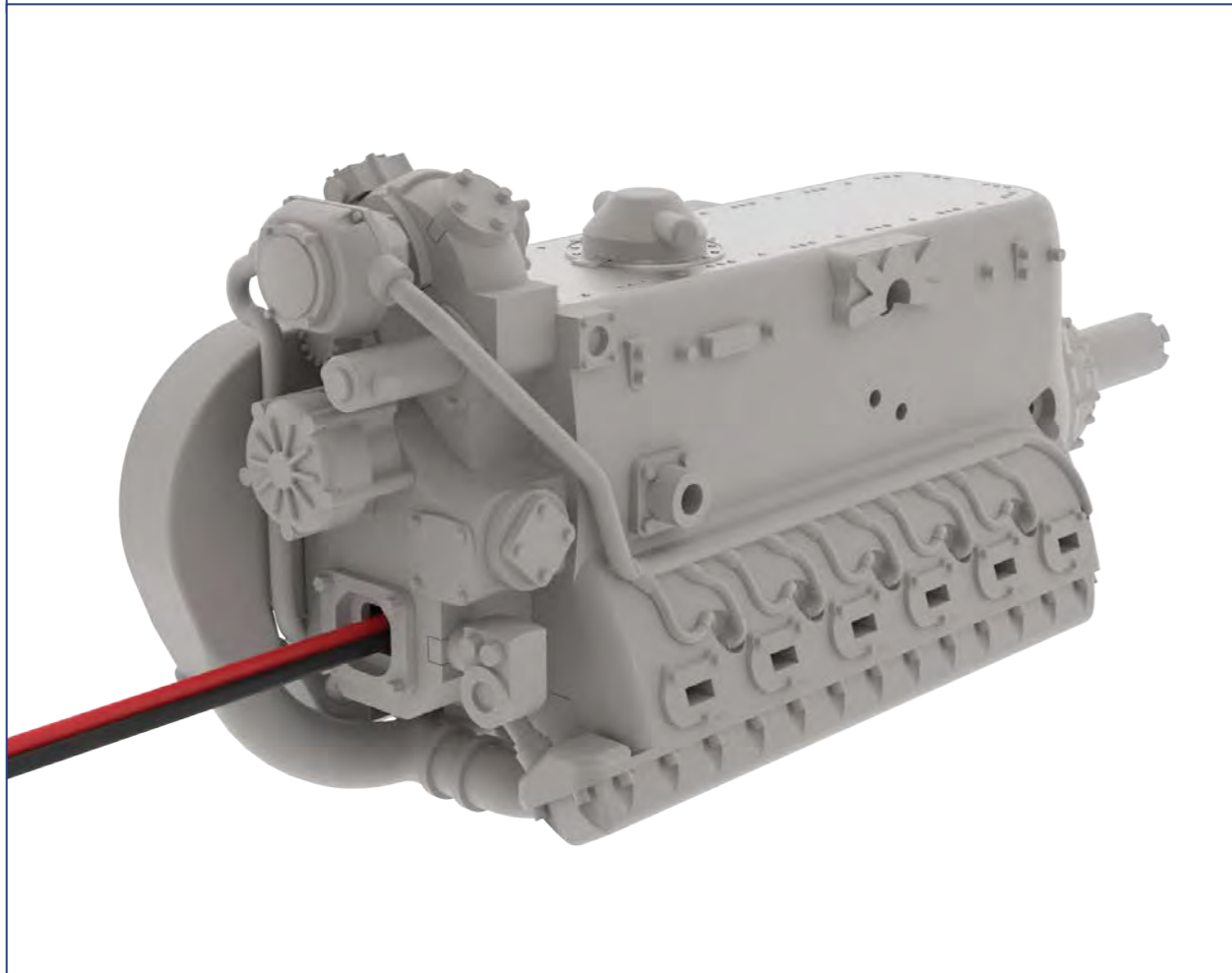
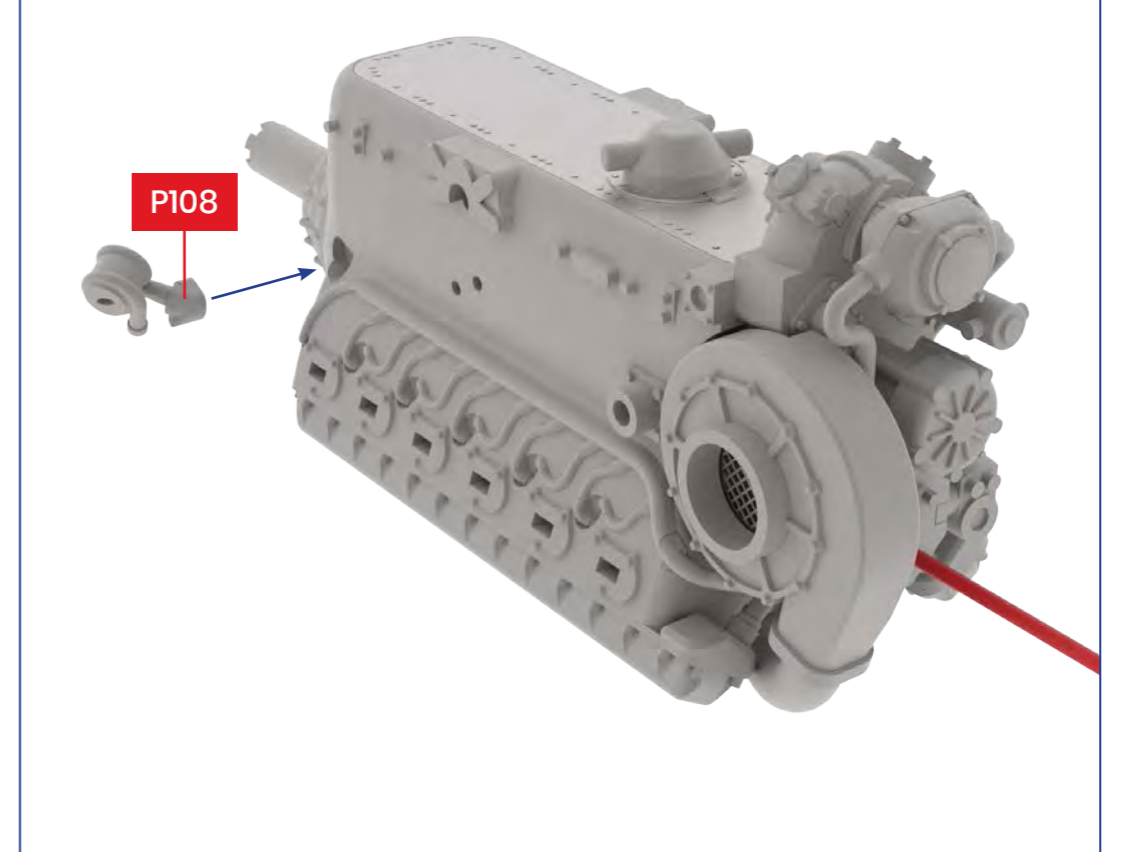
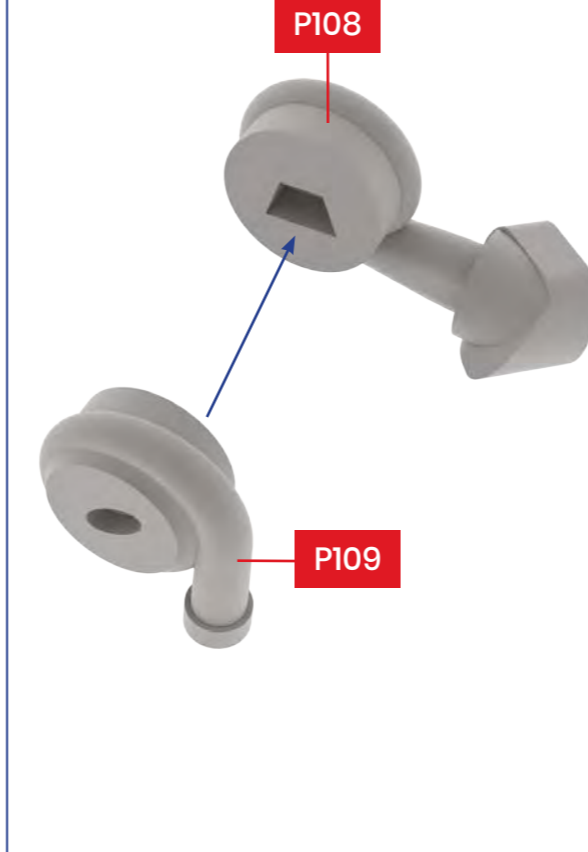
290



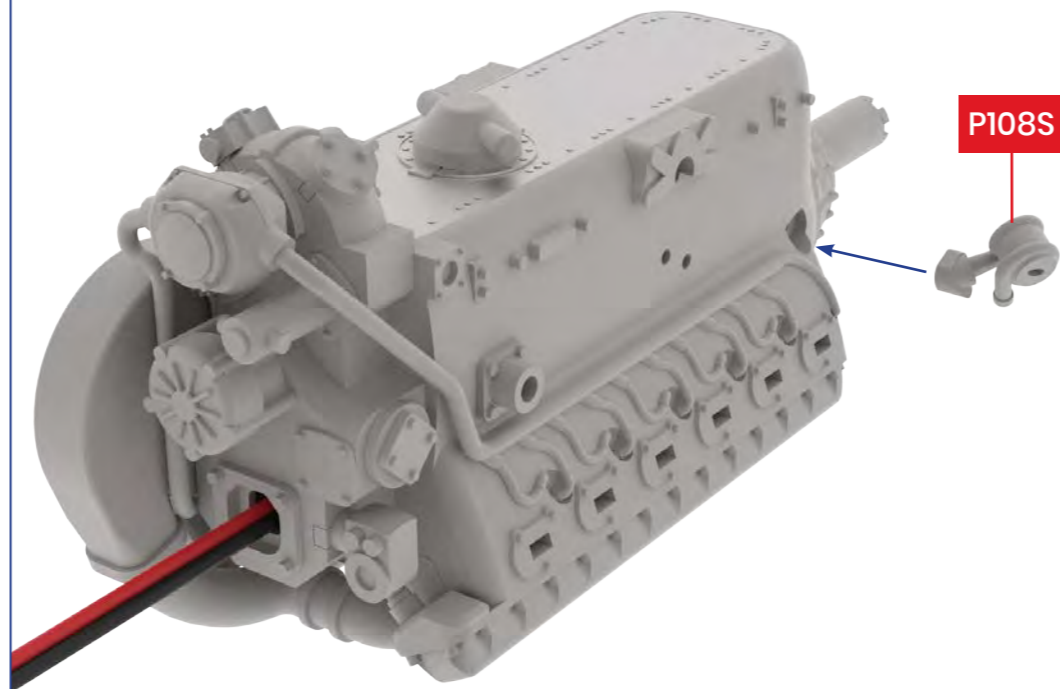
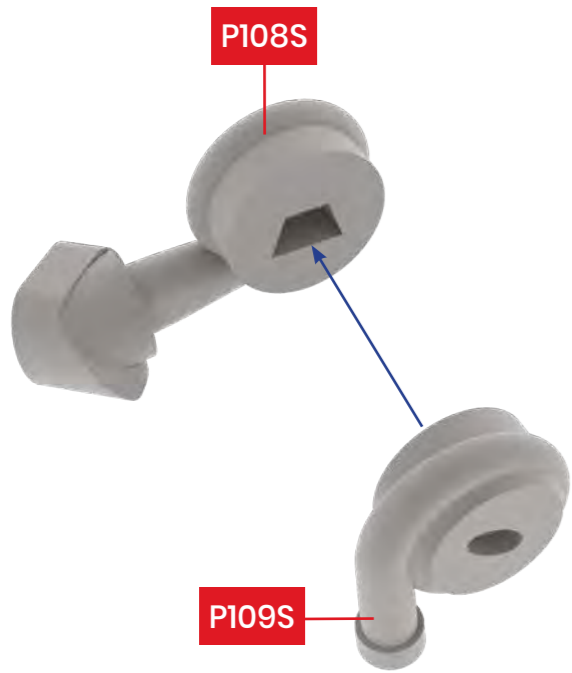
291



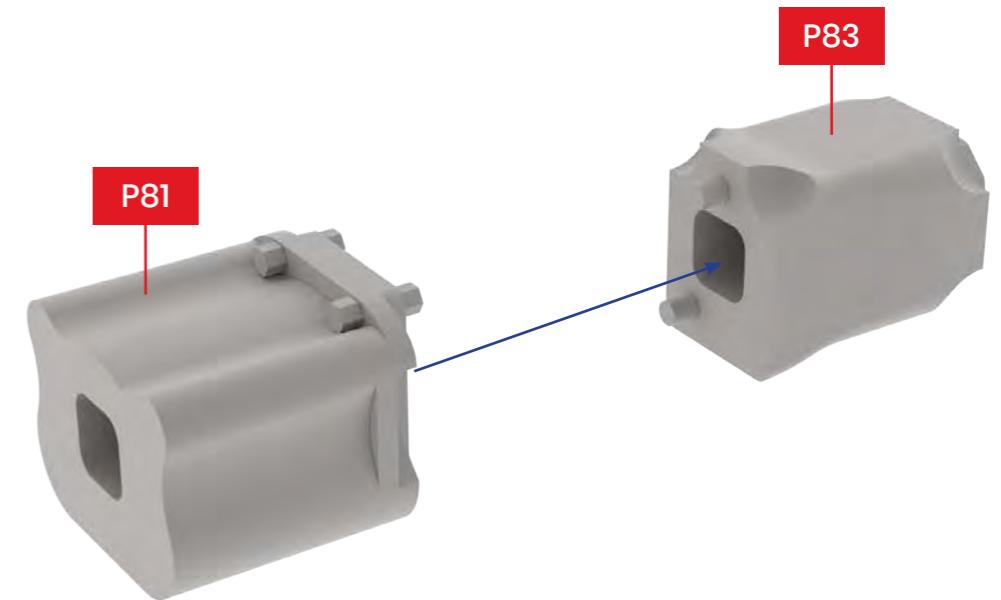
292



293

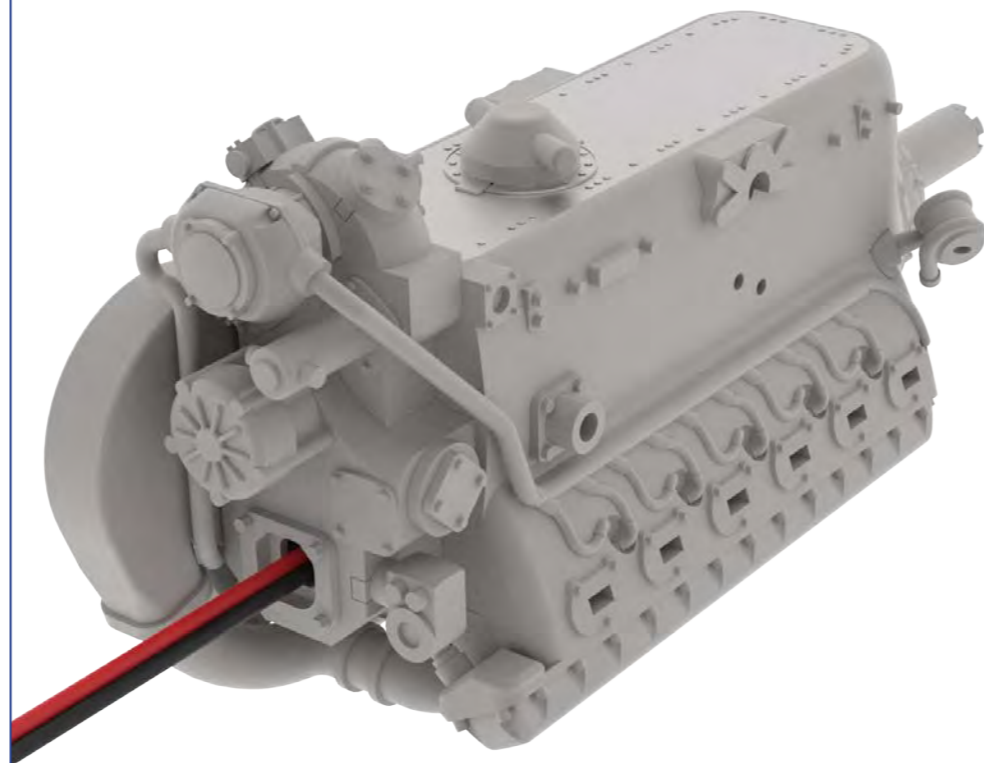
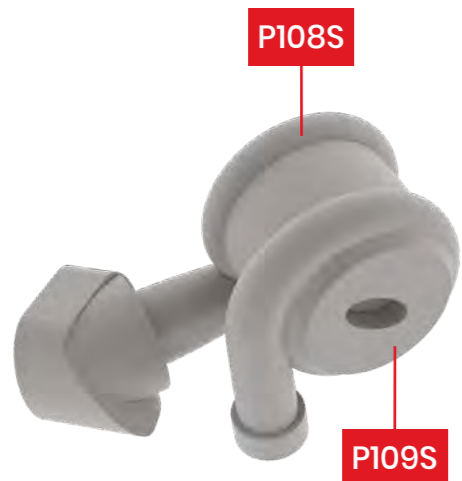


294



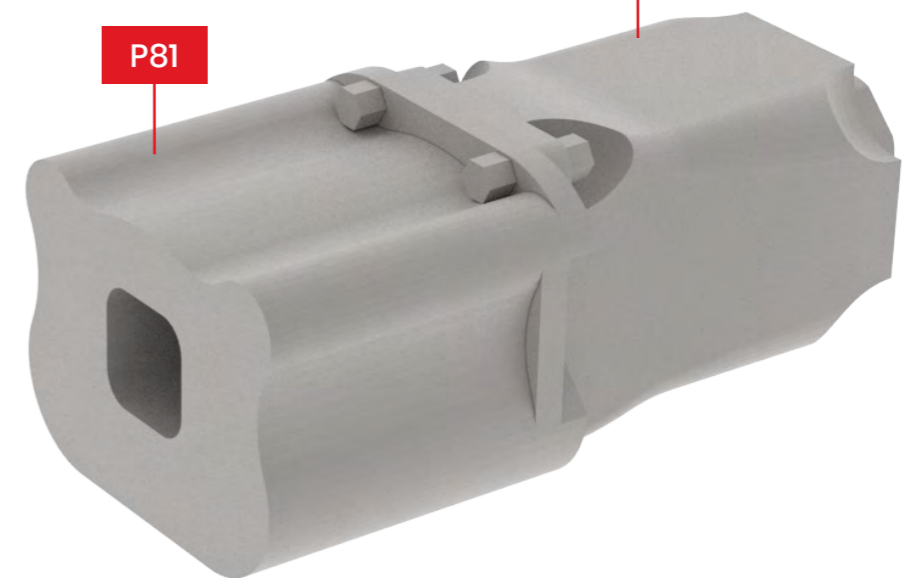
P108S

P109S

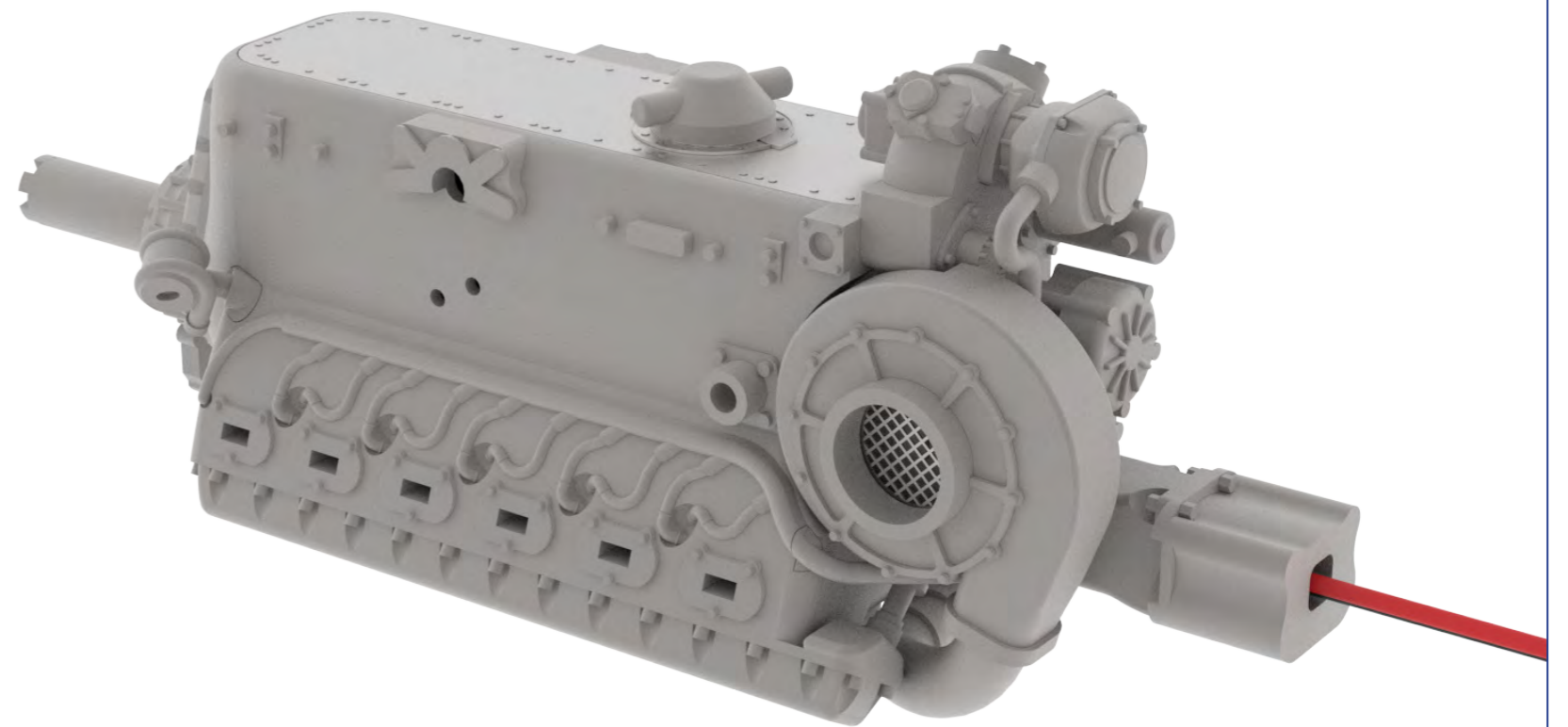
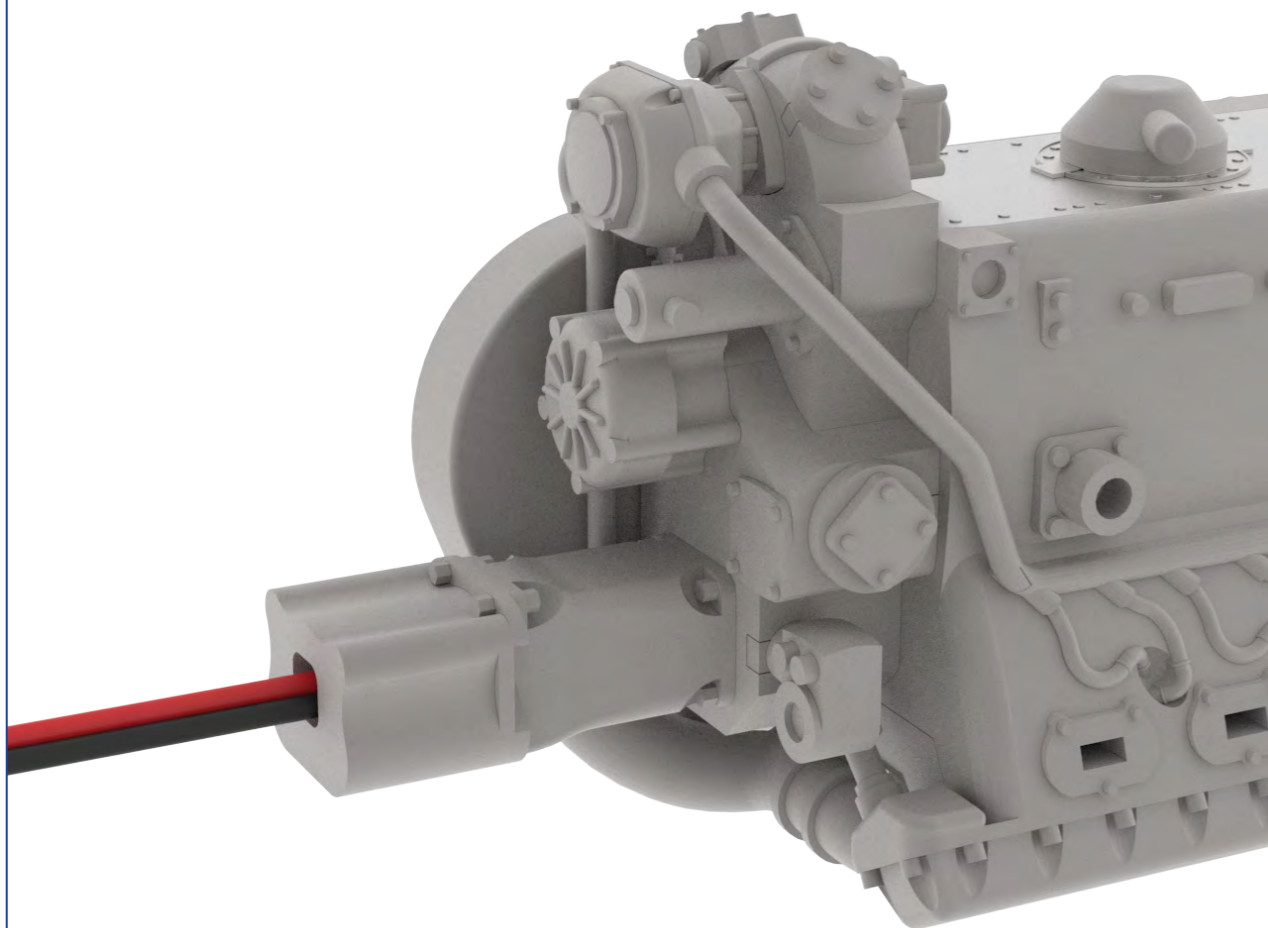
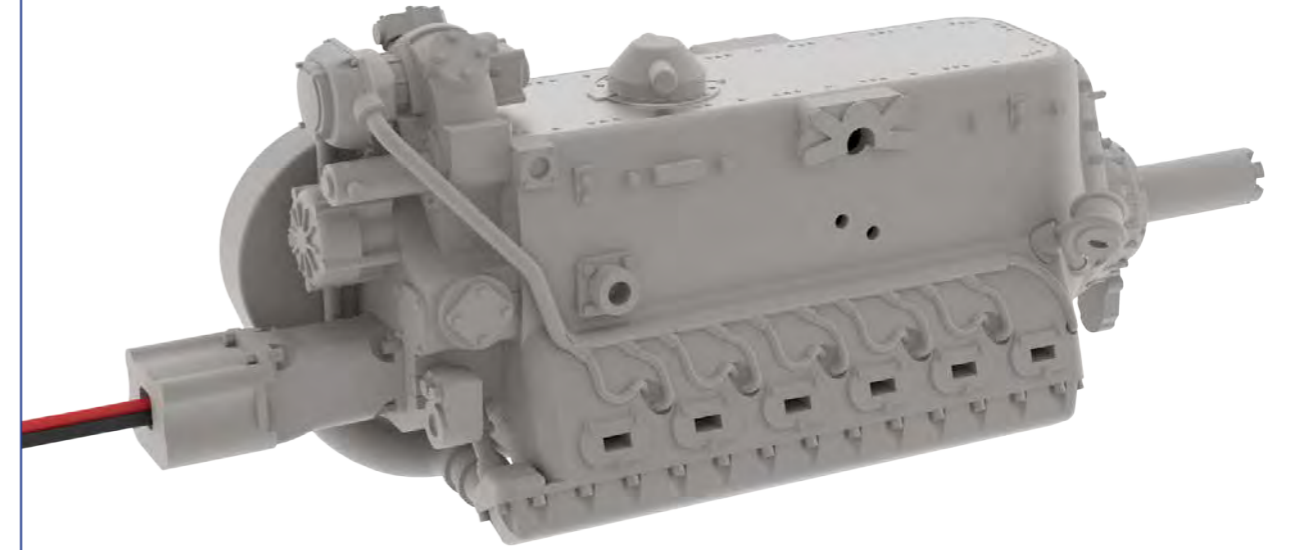
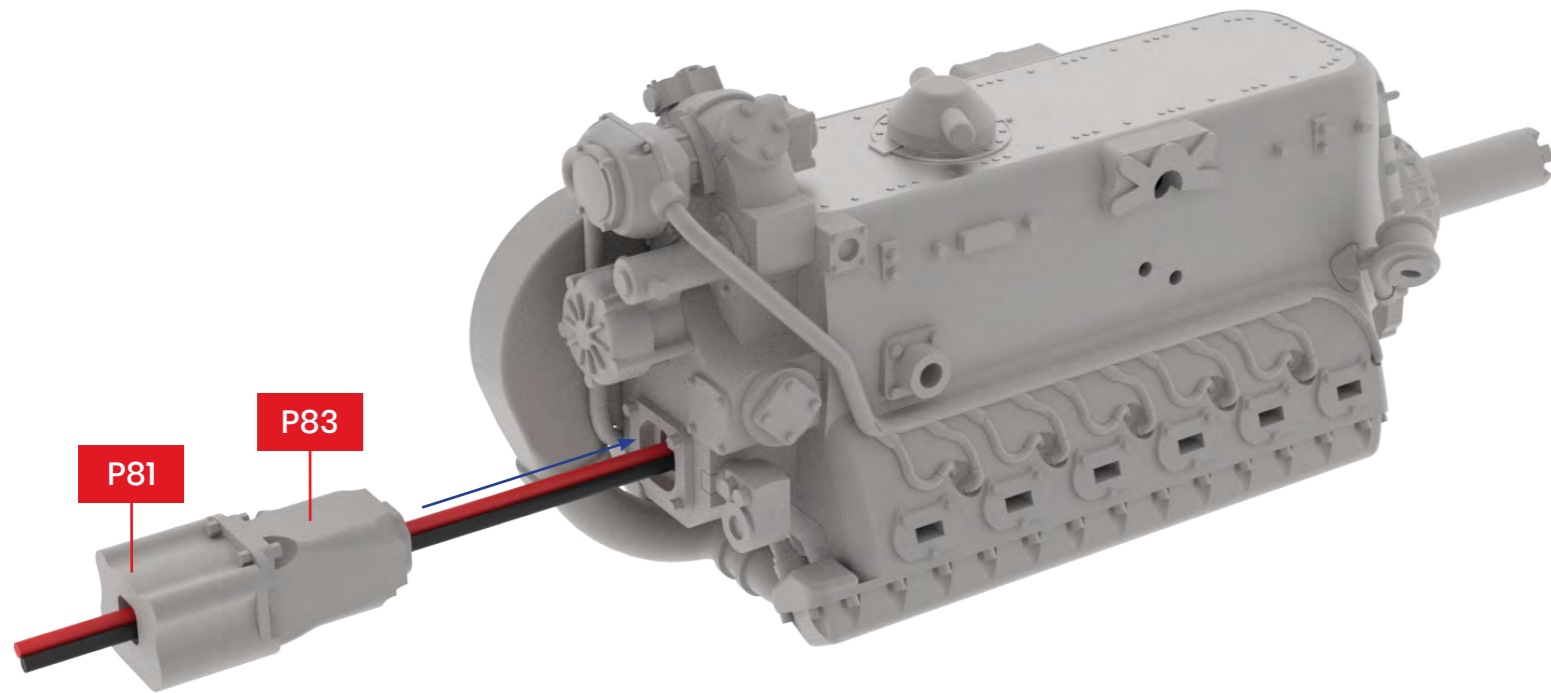


P83

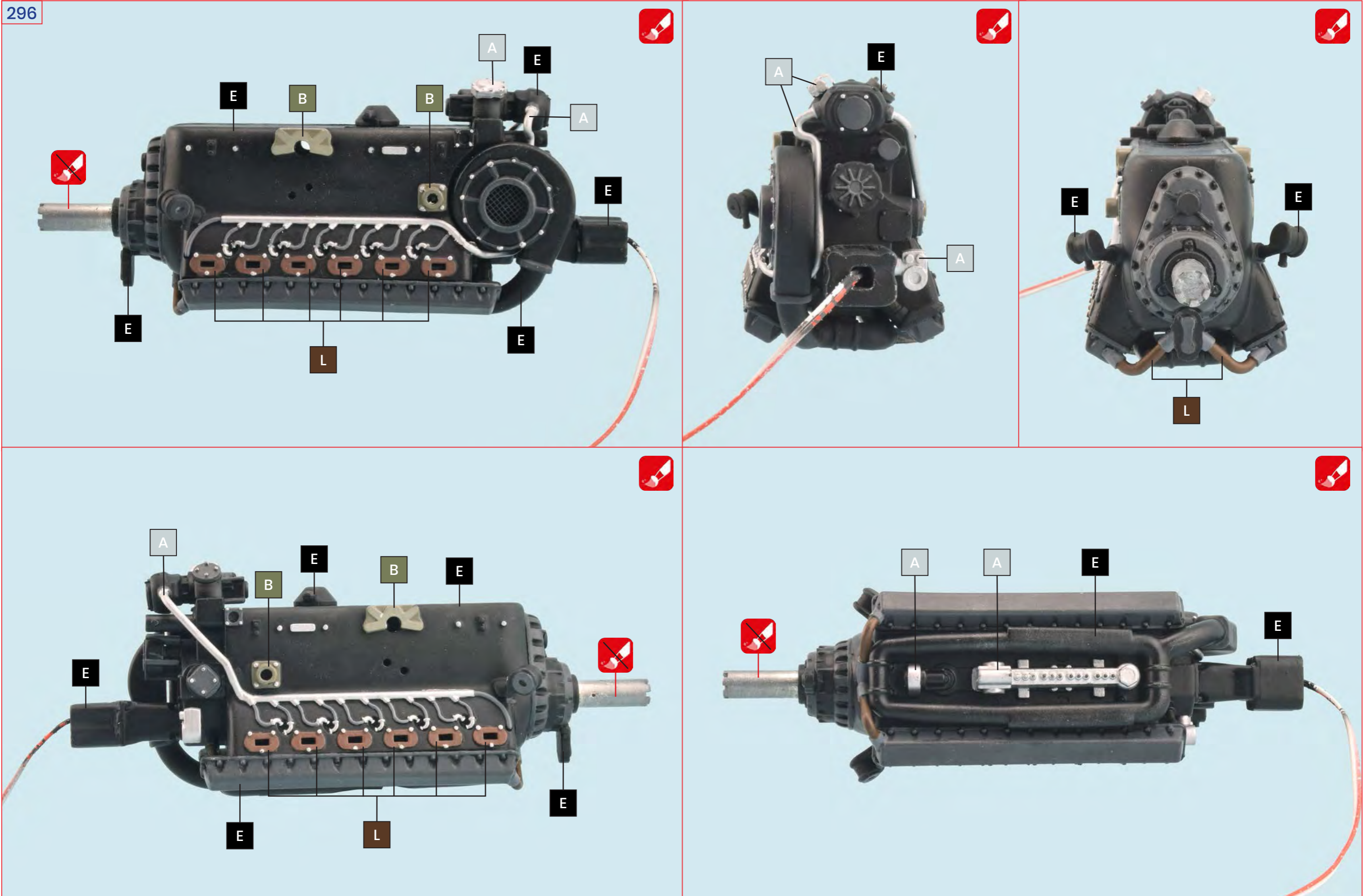
P81



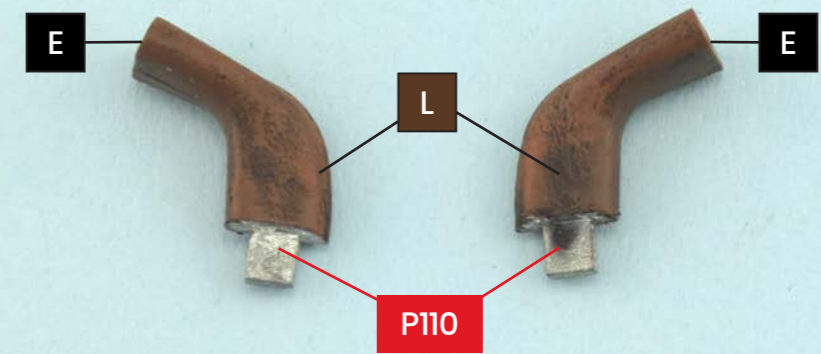
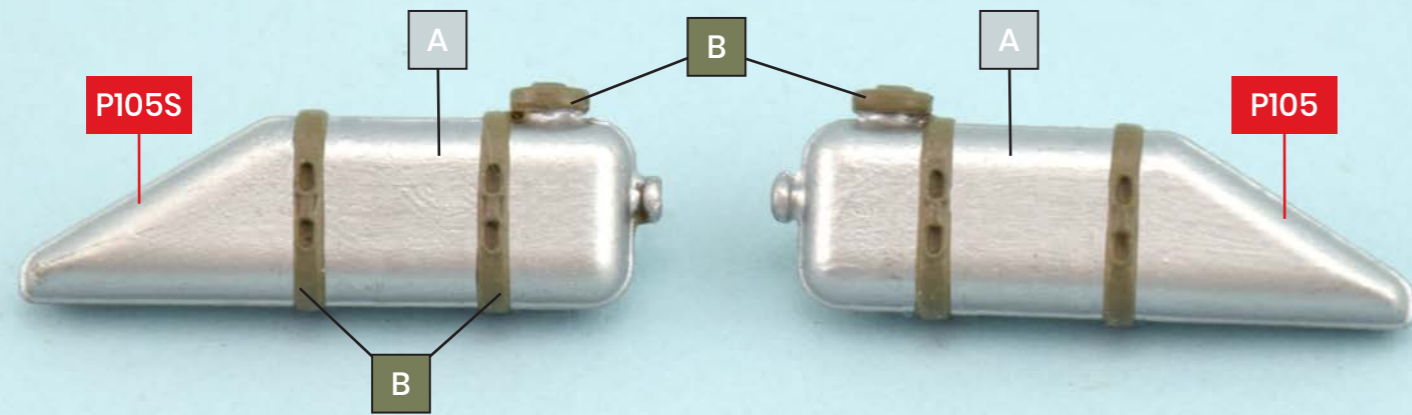
295



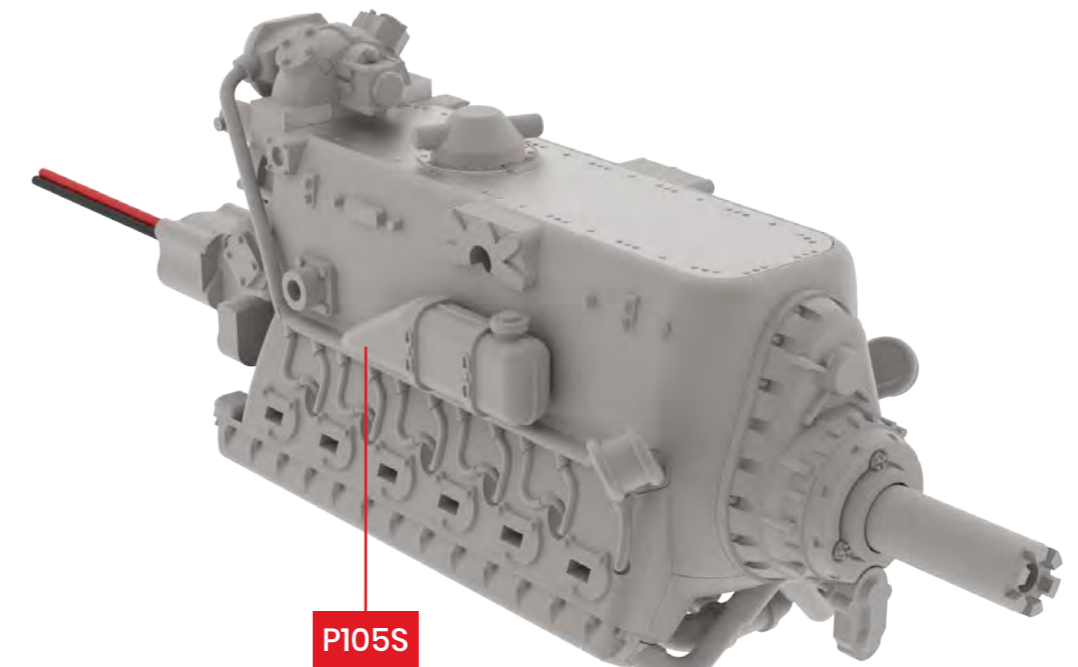
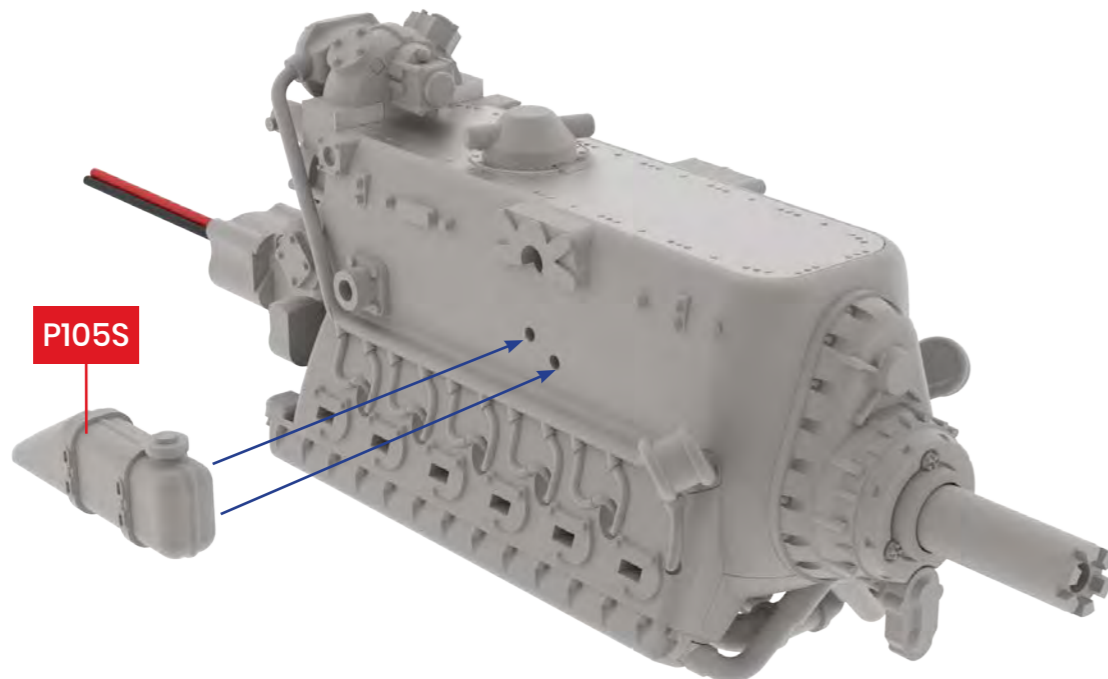
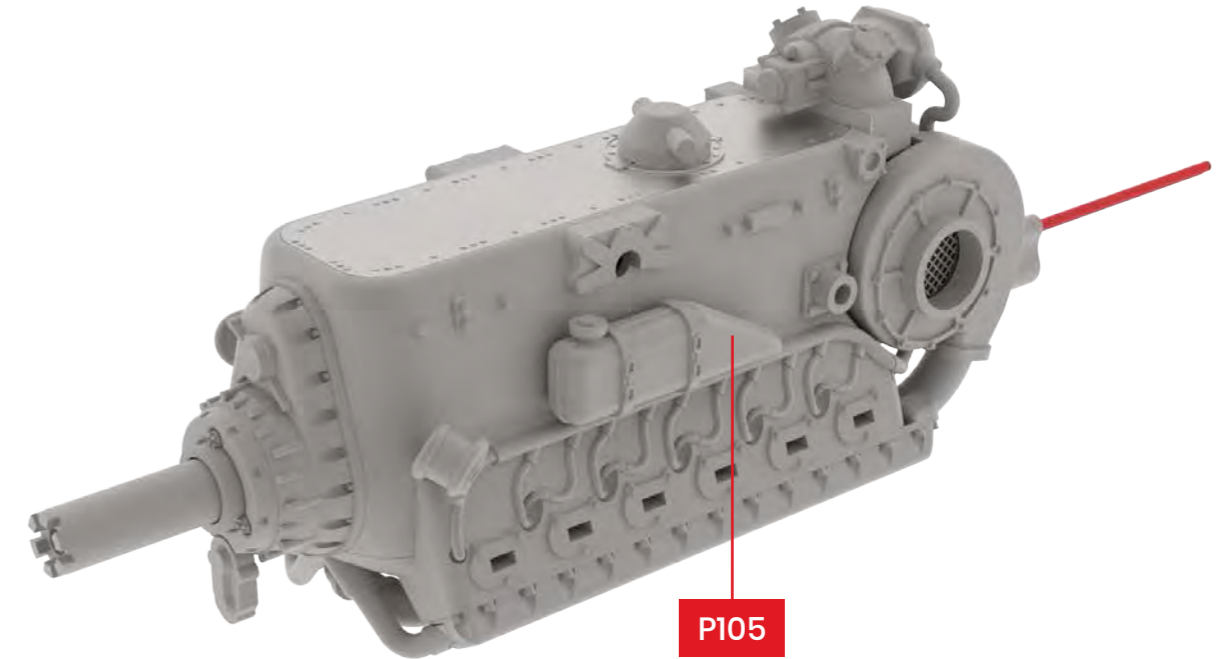
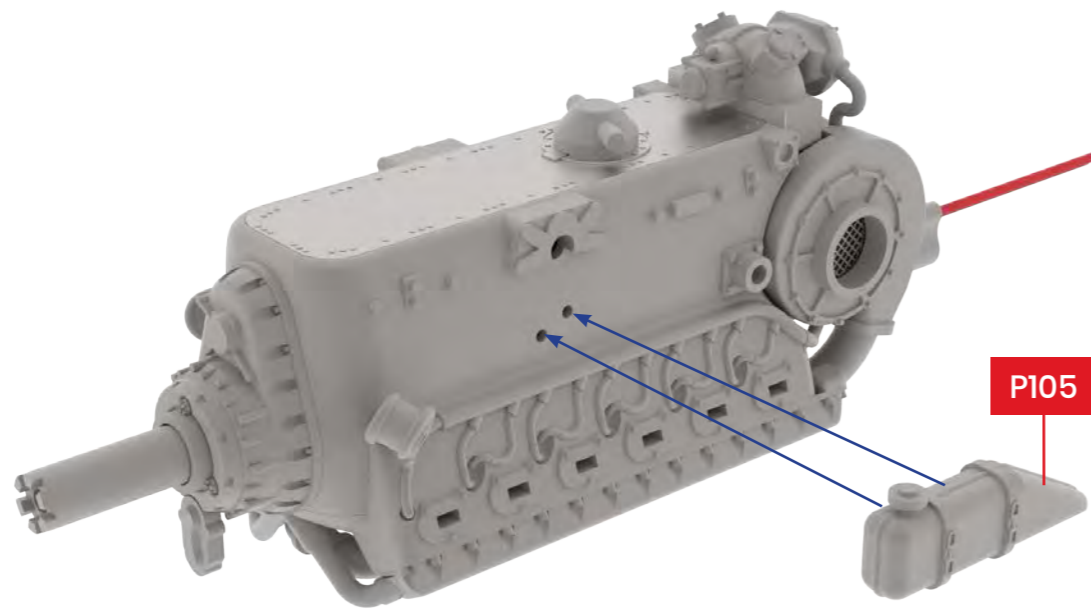
296



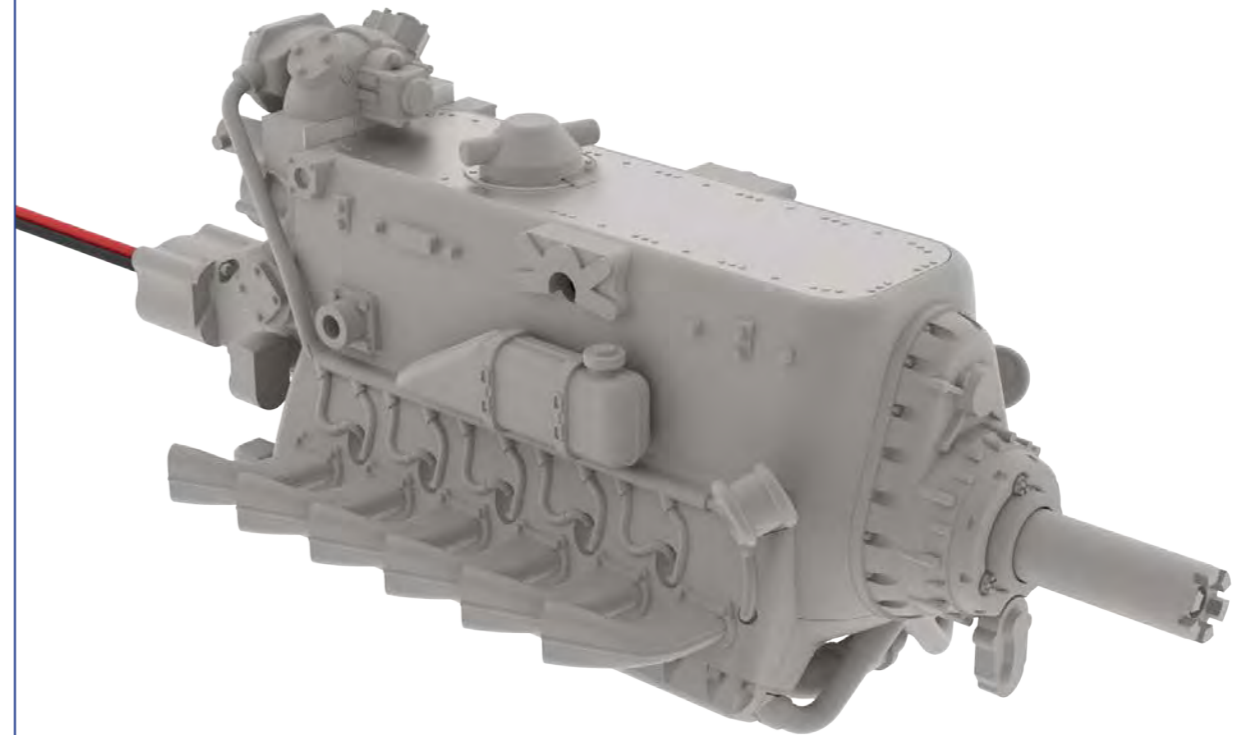
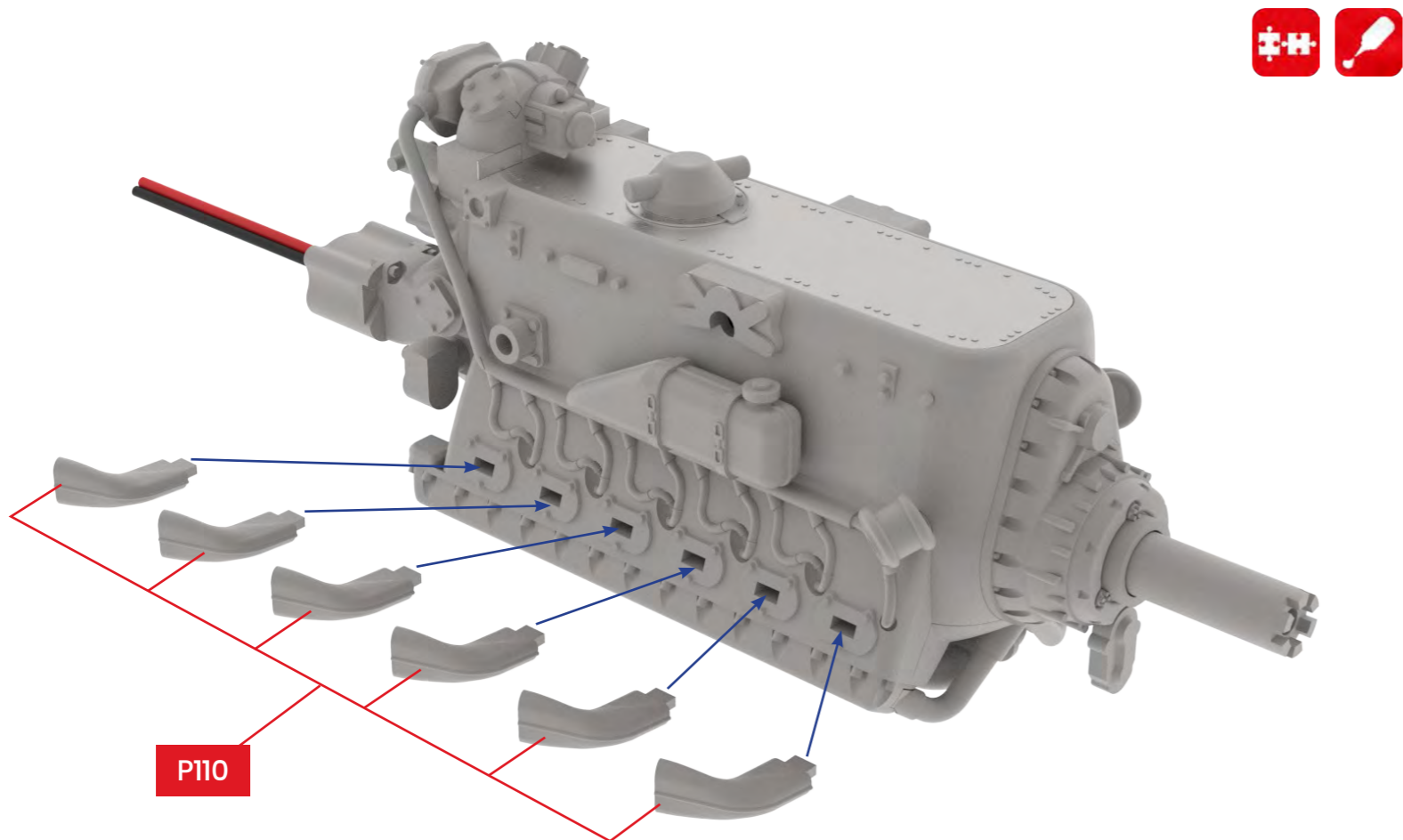
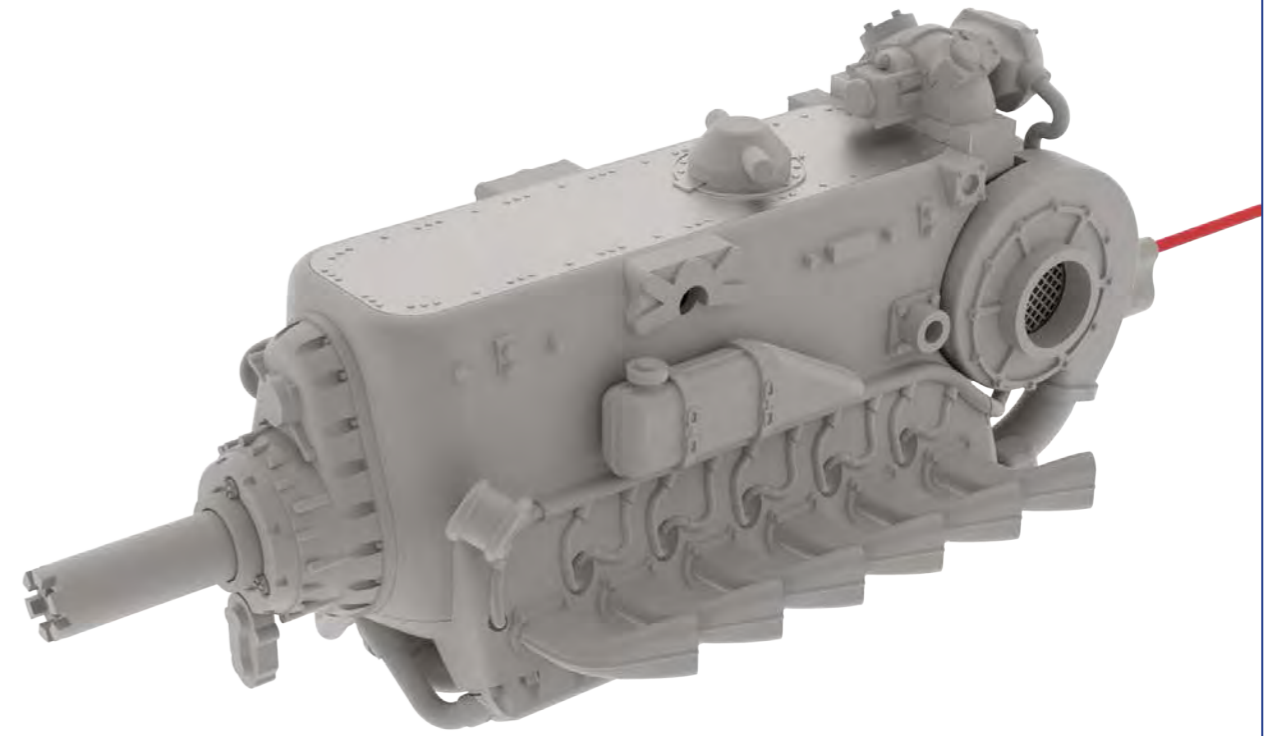
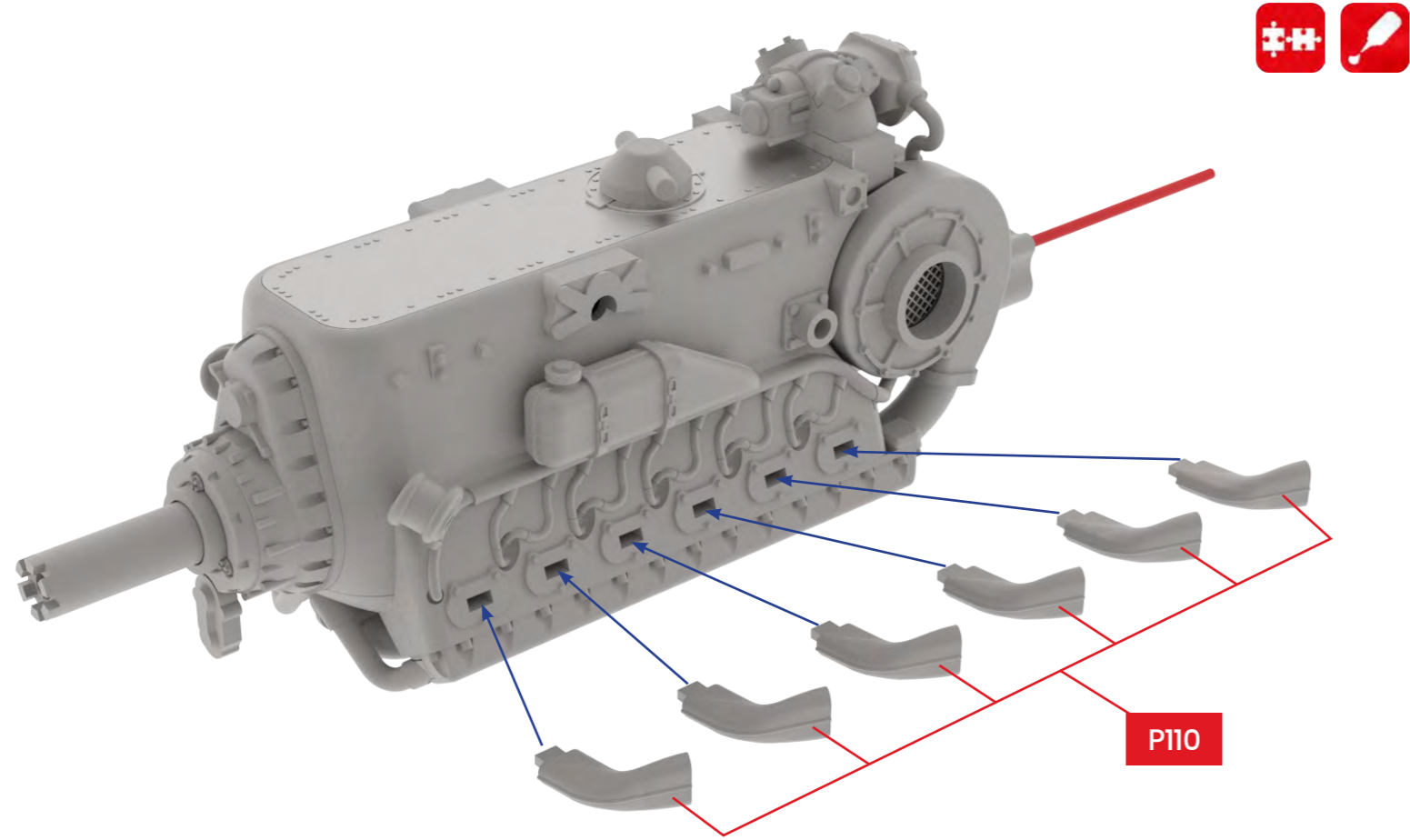
297



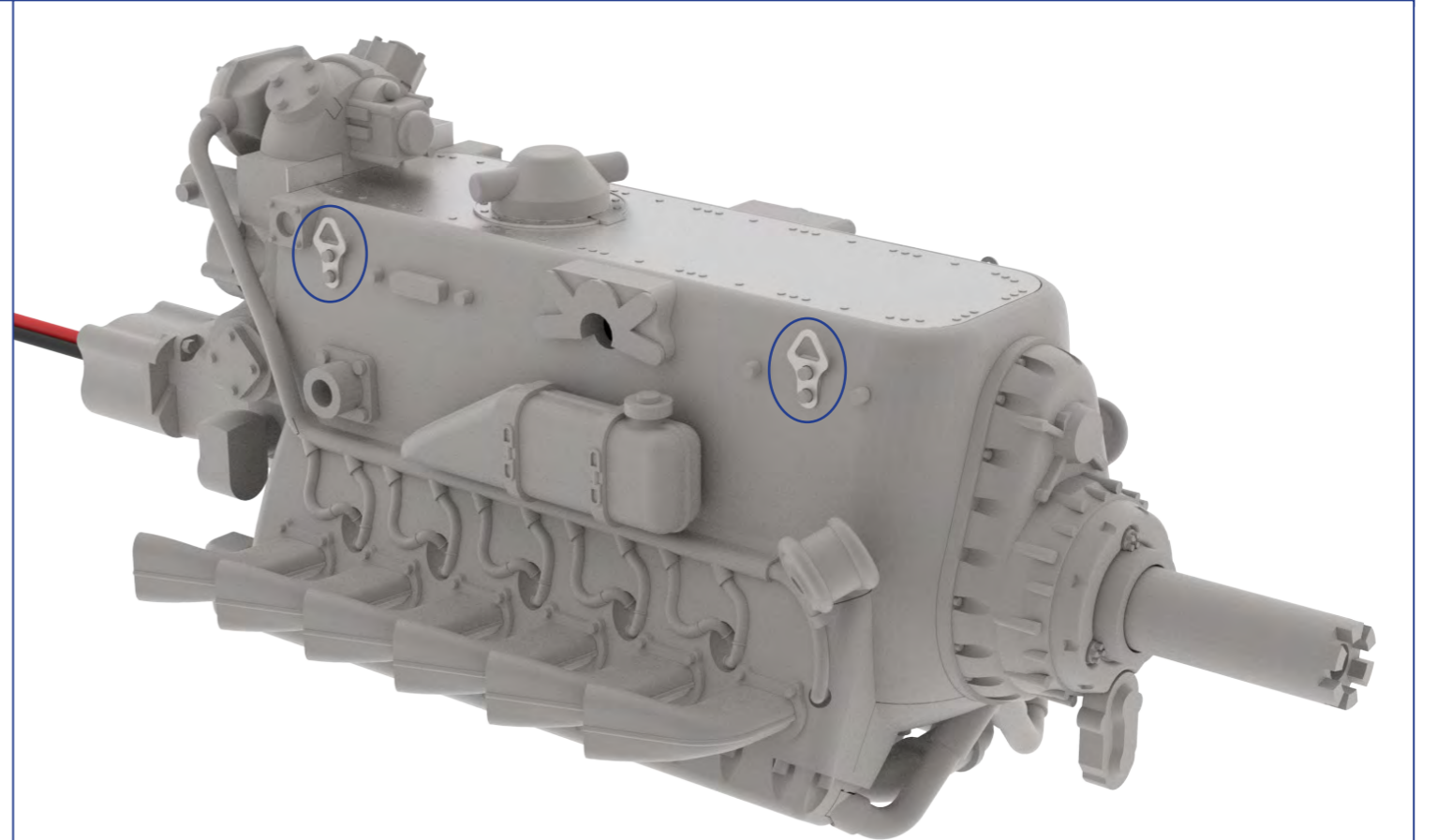
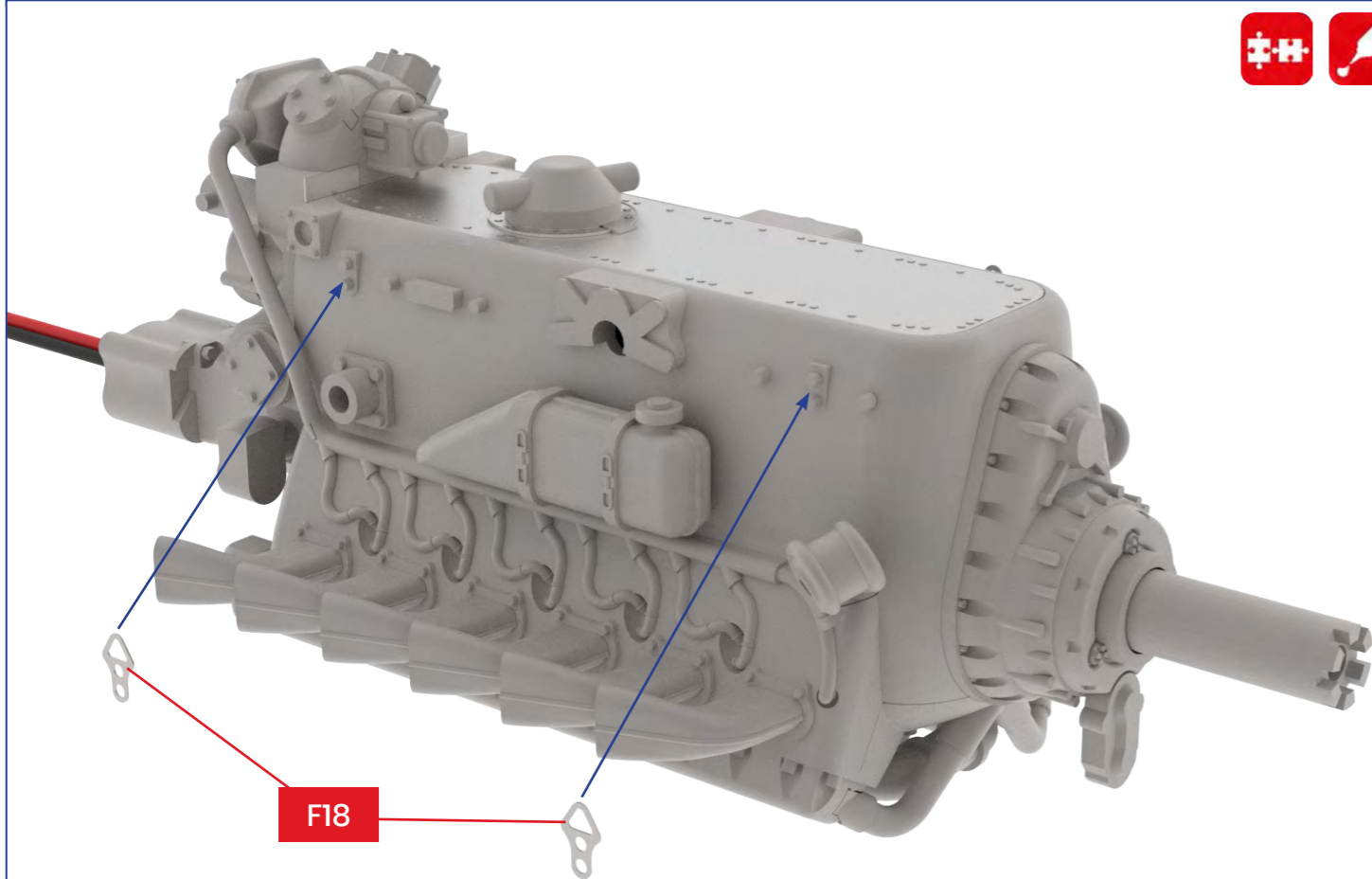
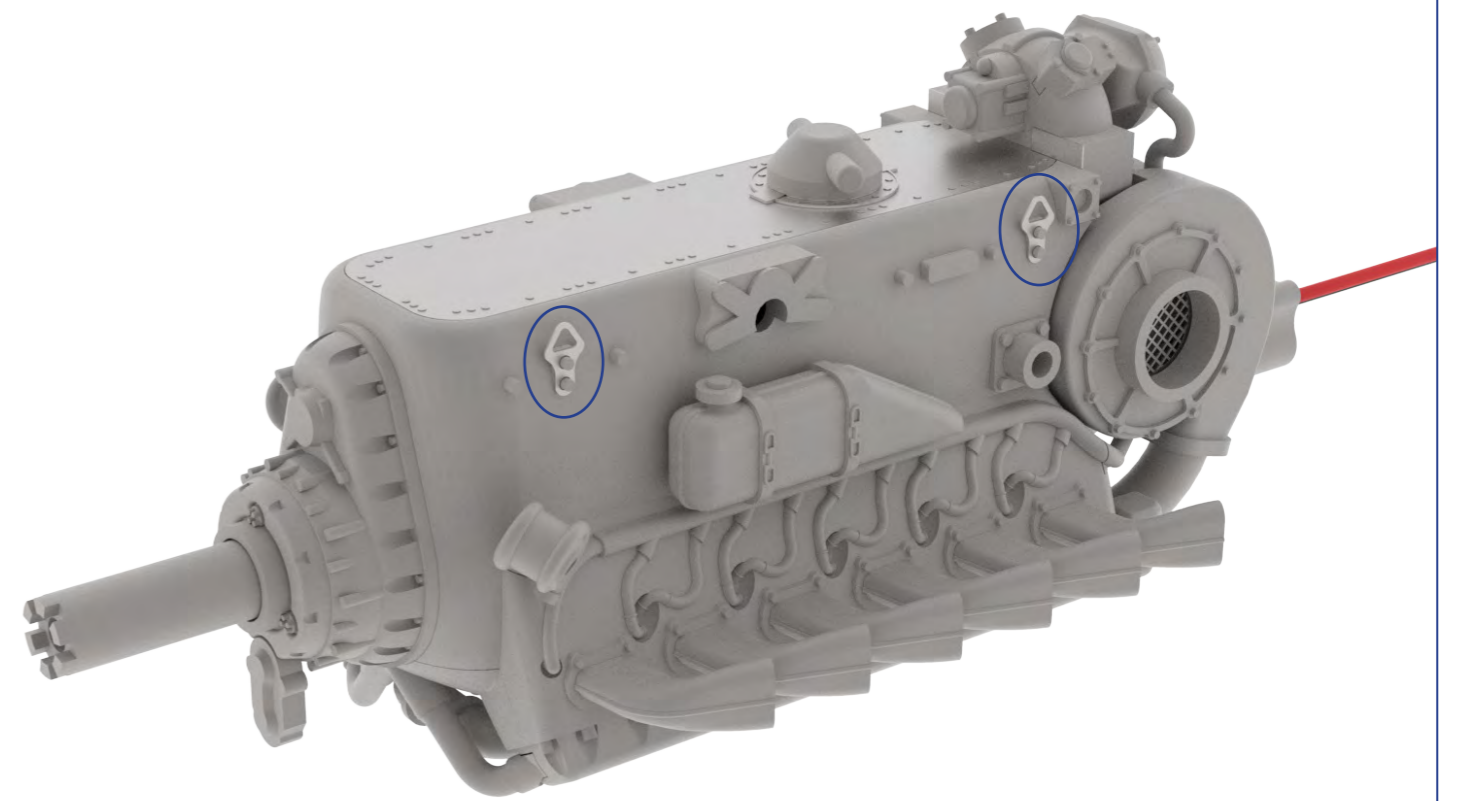
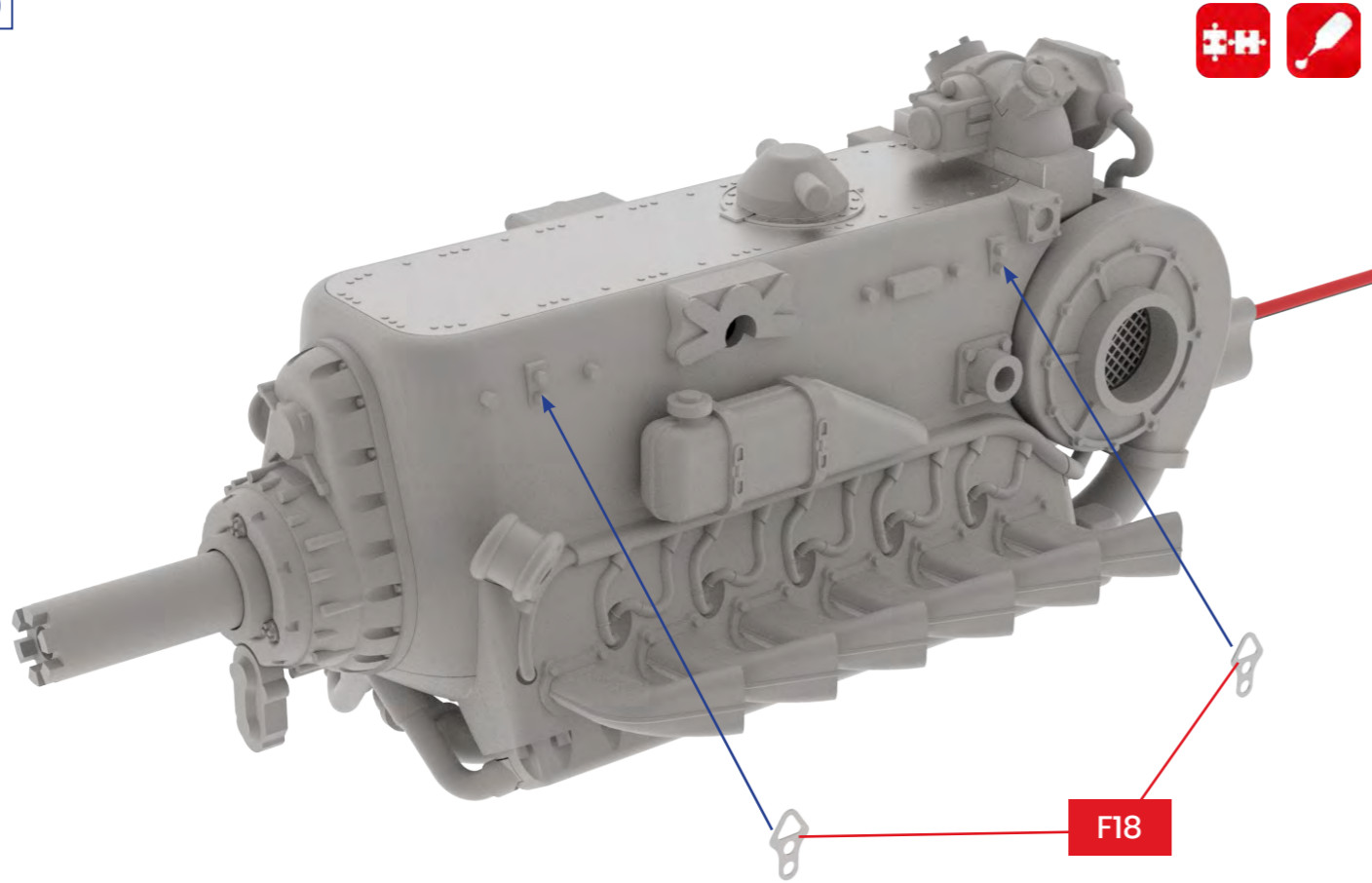
298



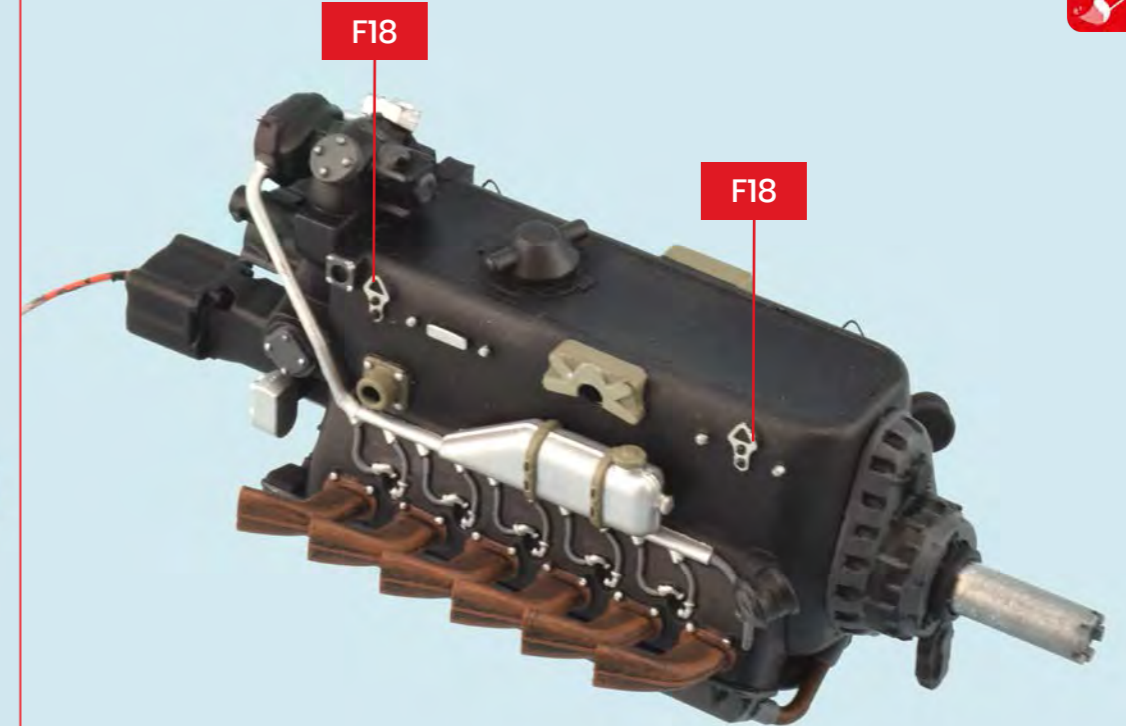
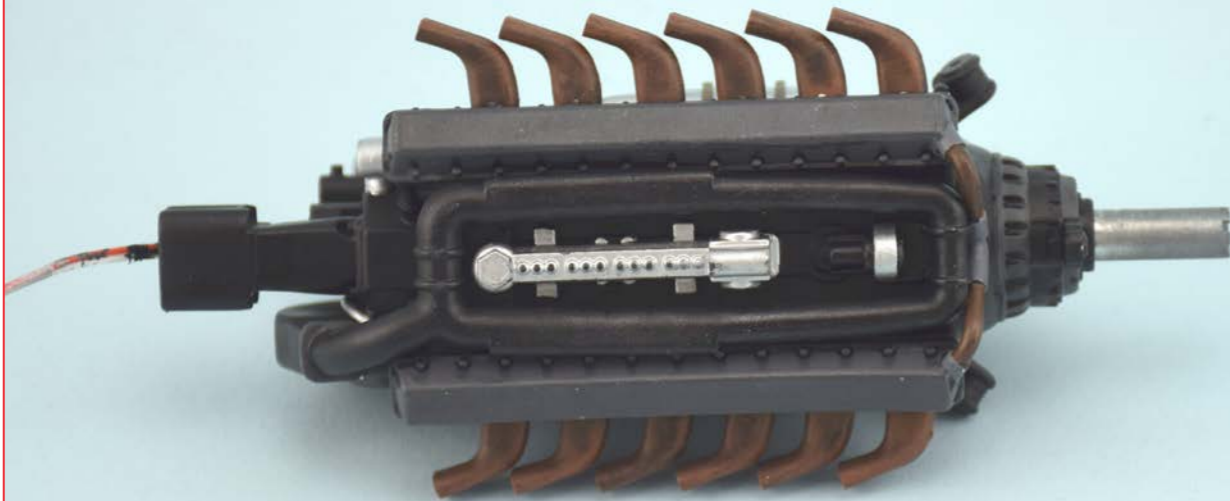
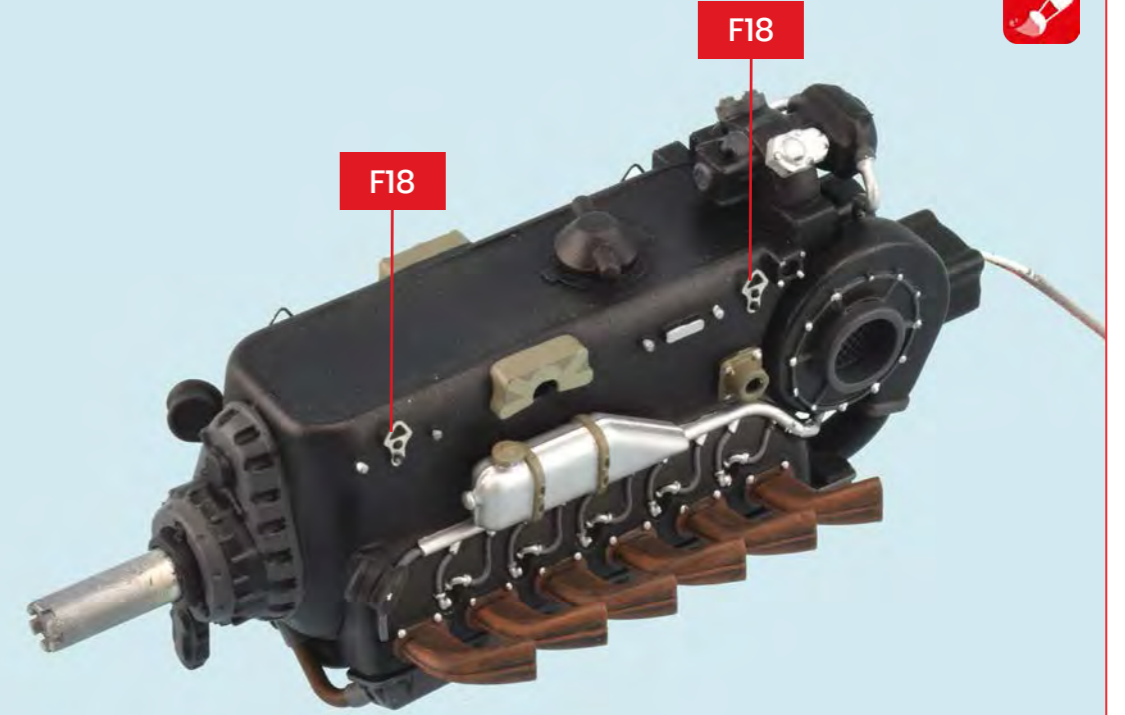
299



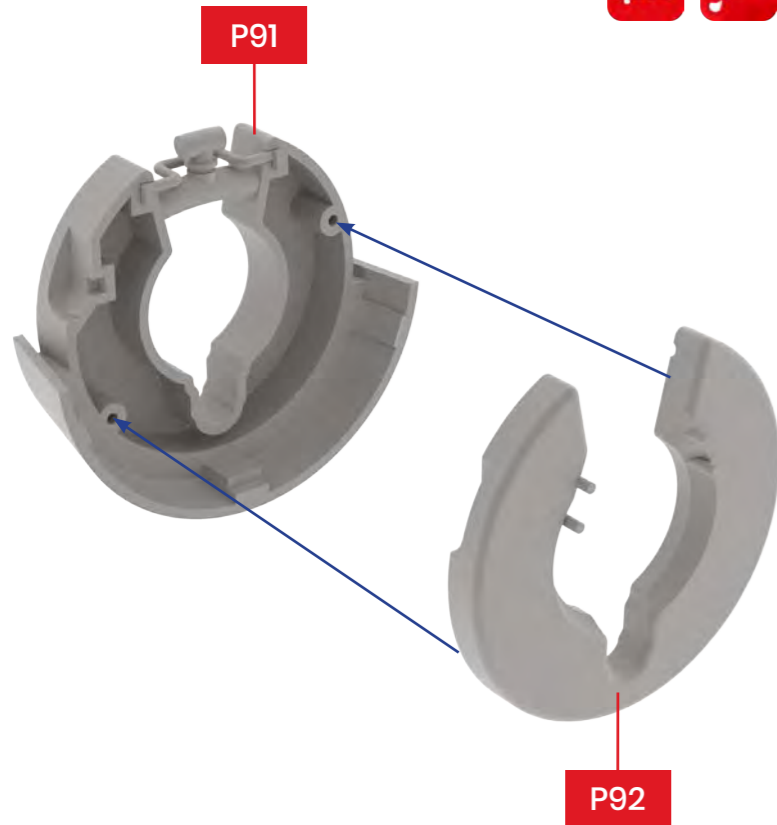
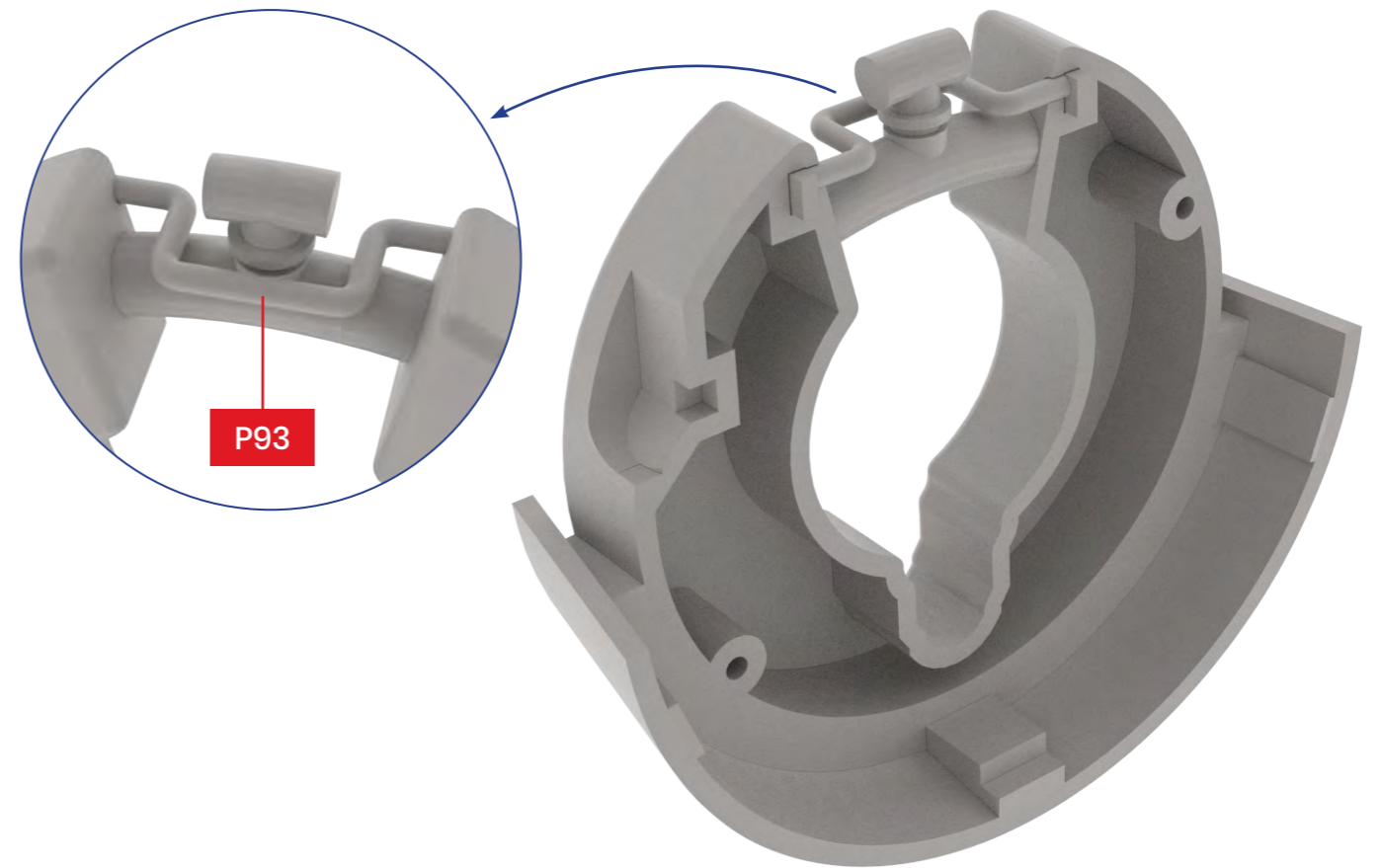
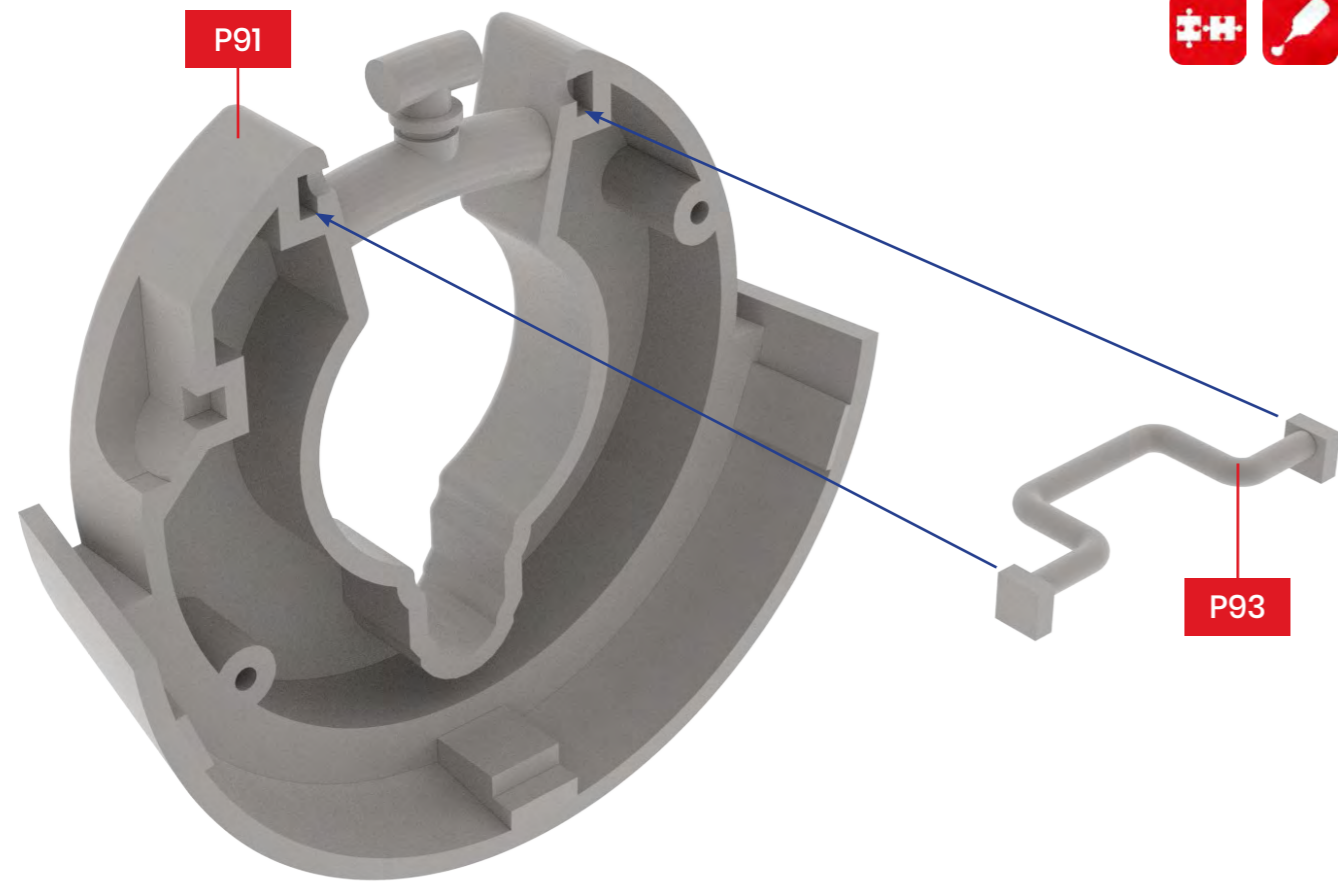
300



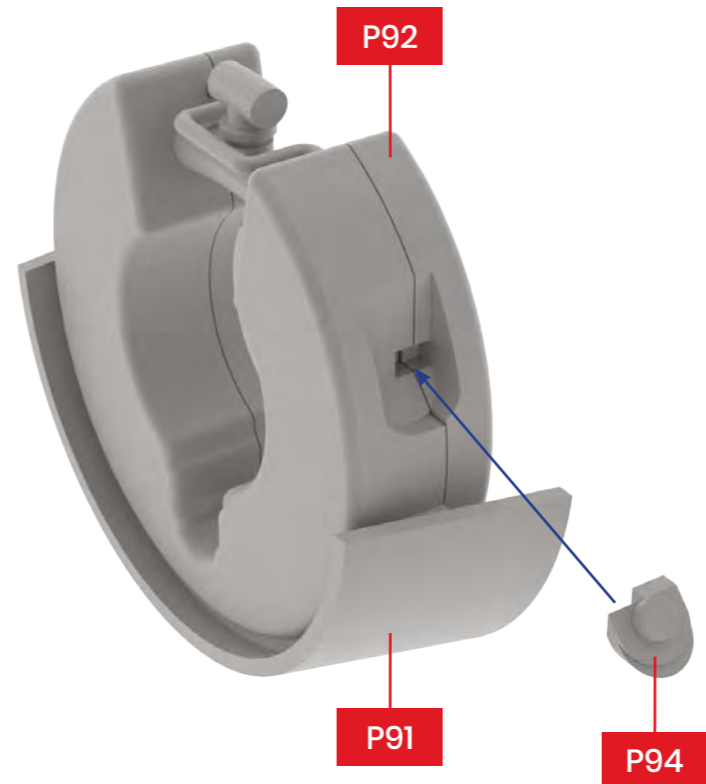
301



302

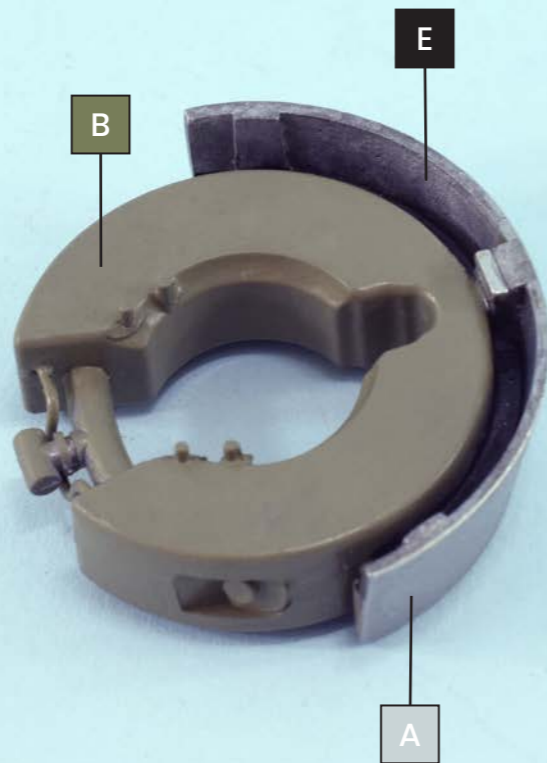
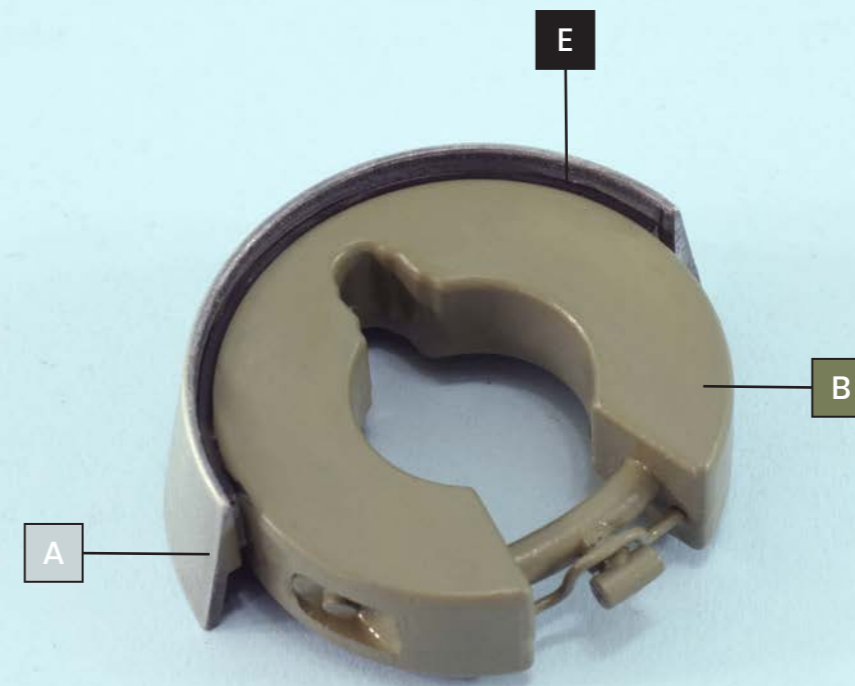


303

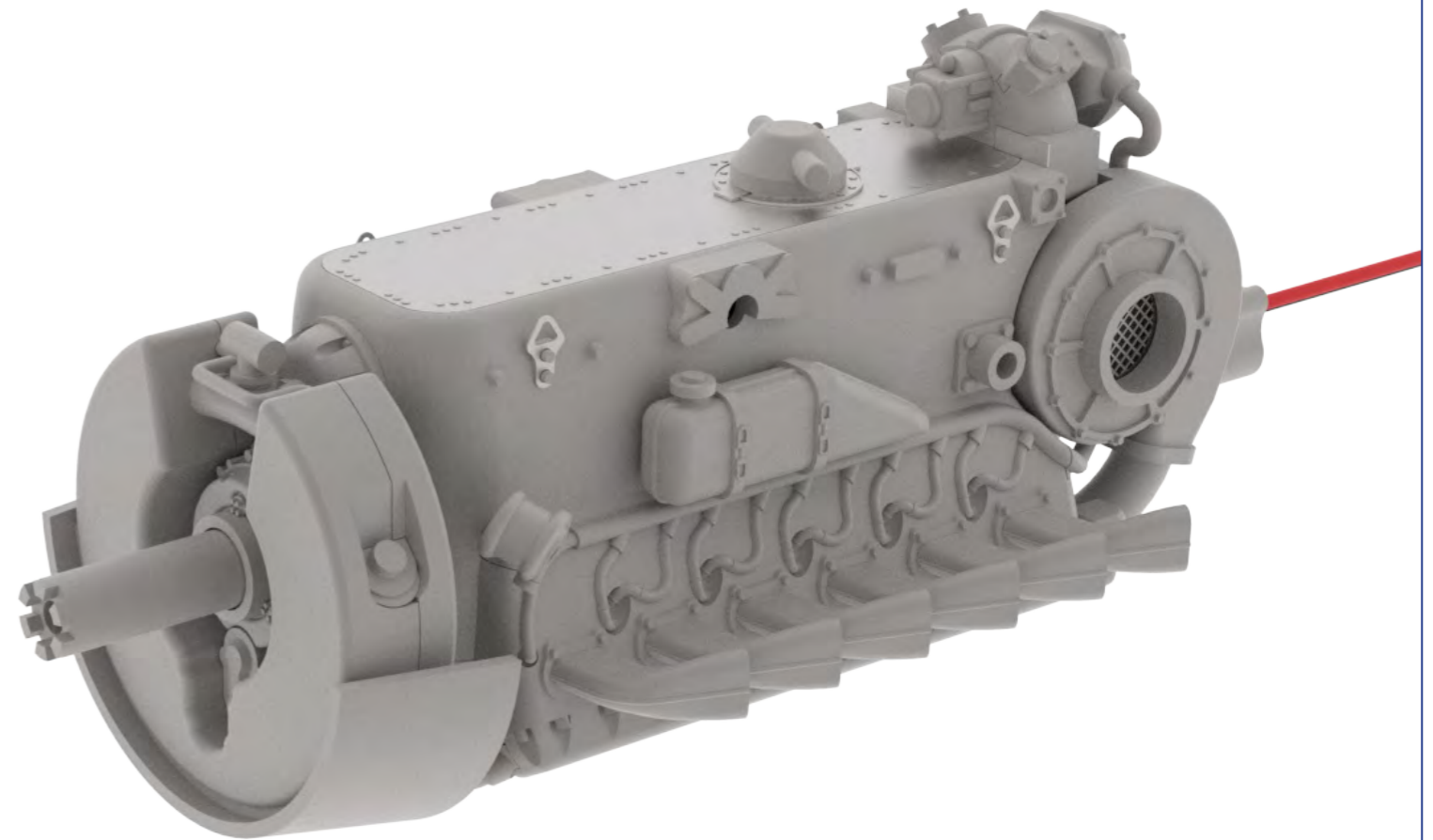
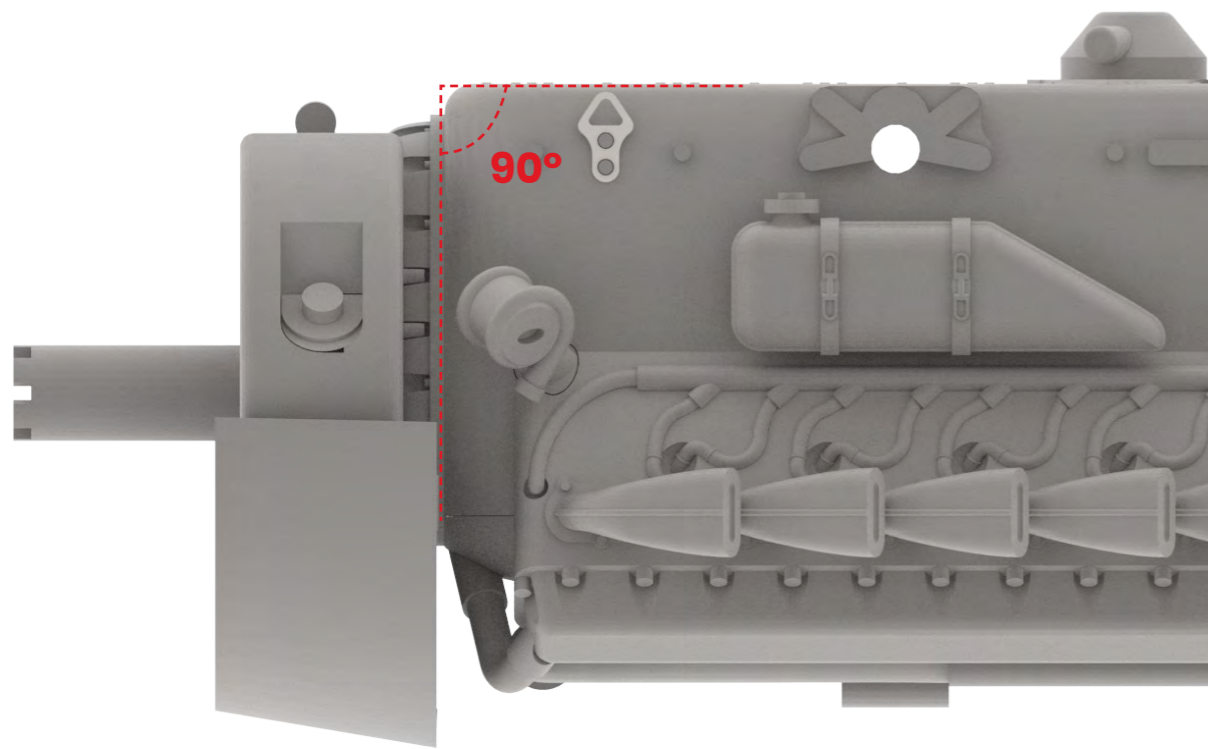
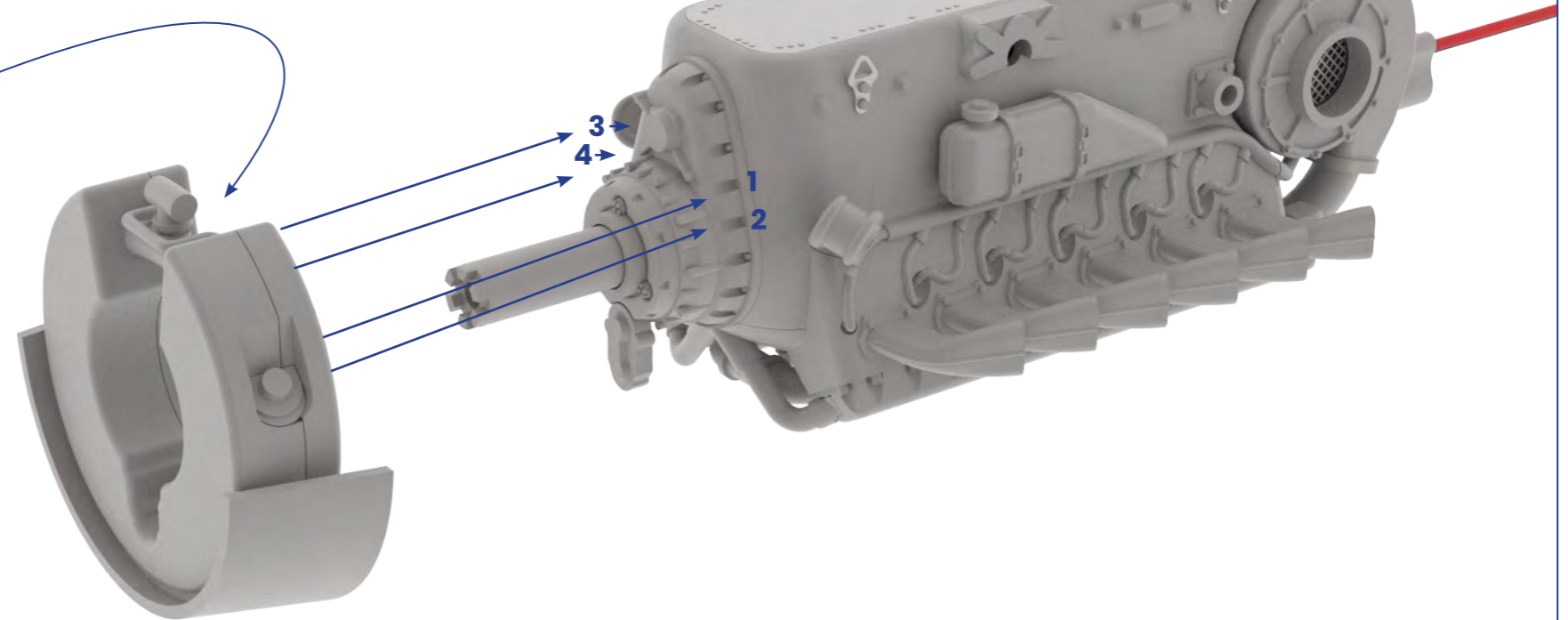


P94

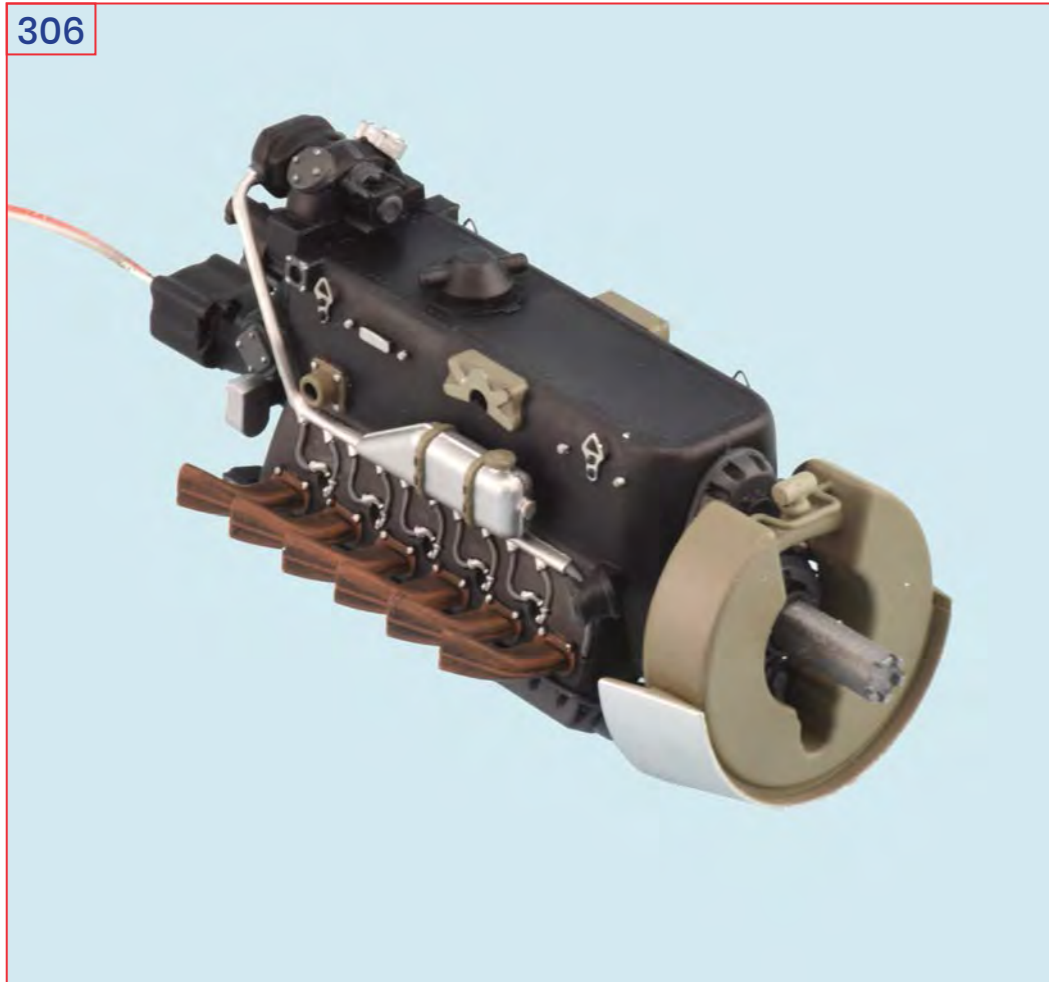
304



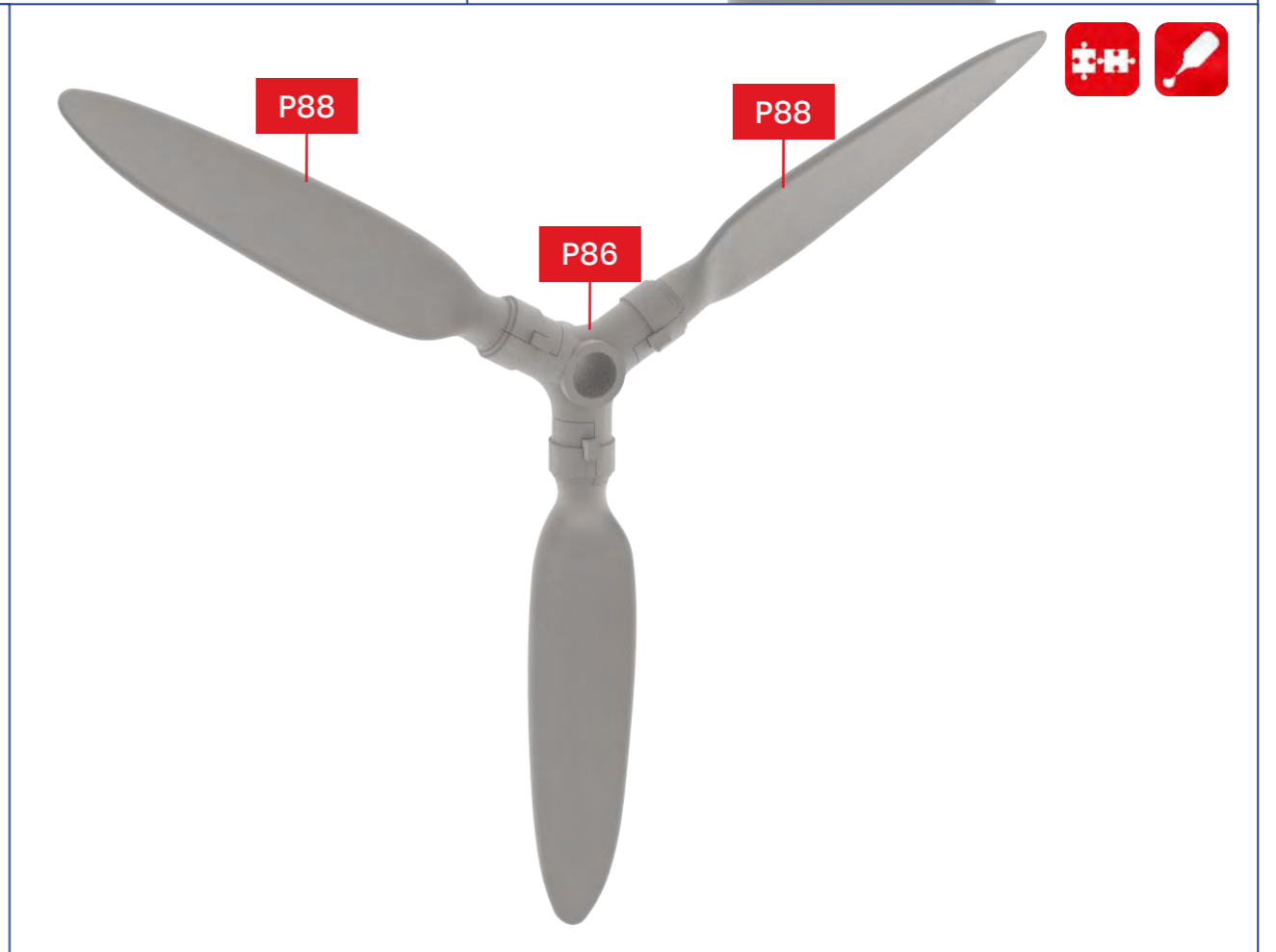
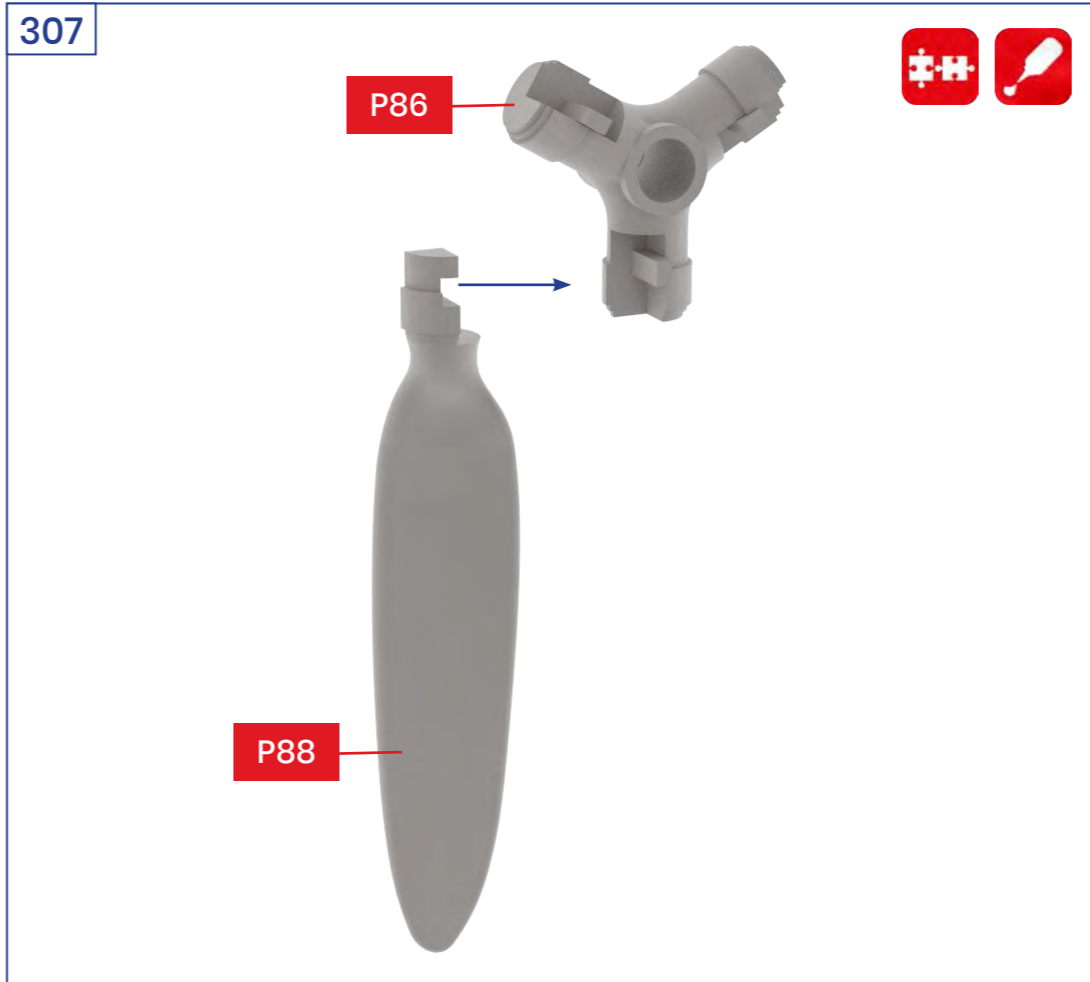
305



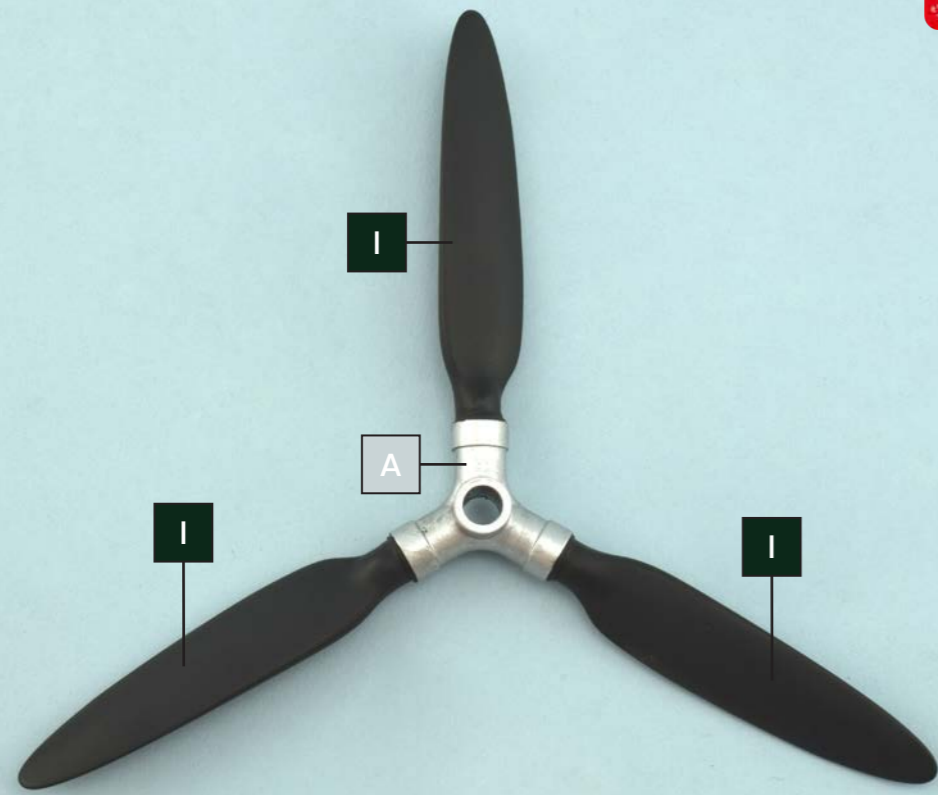
306



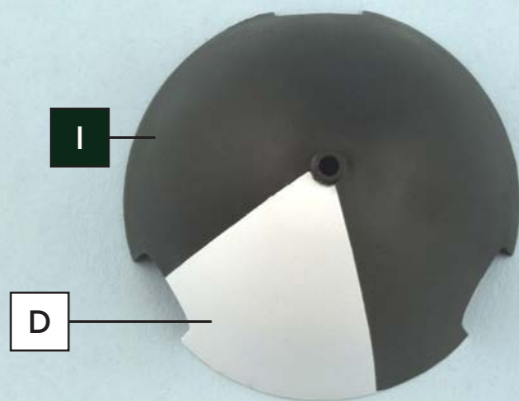
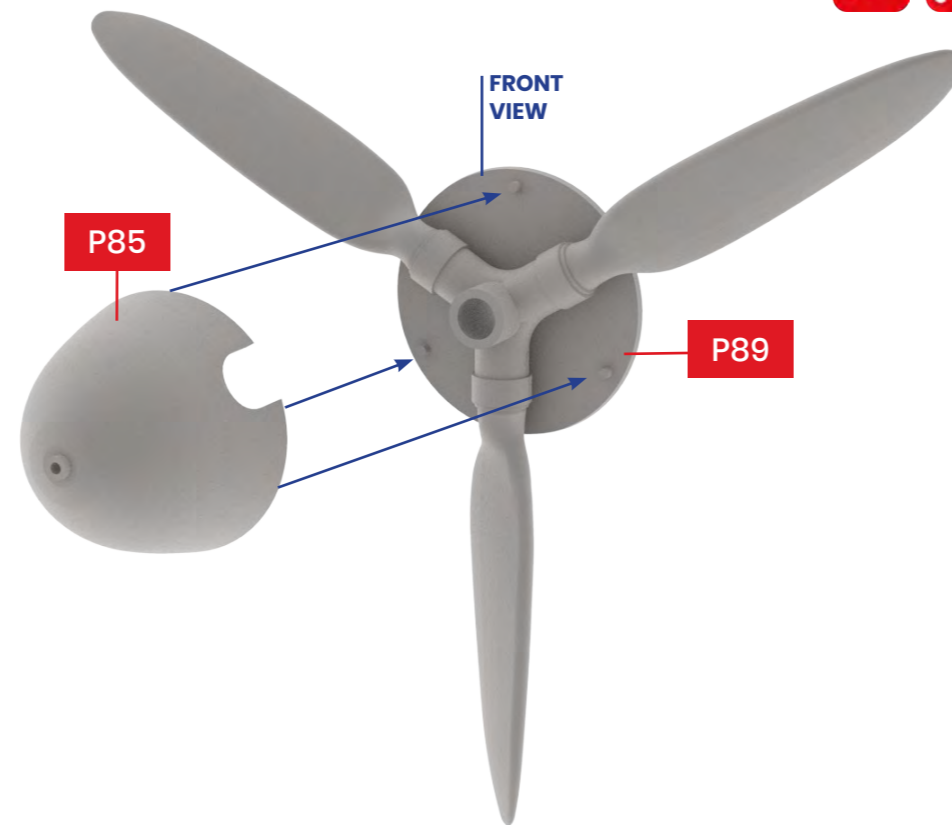
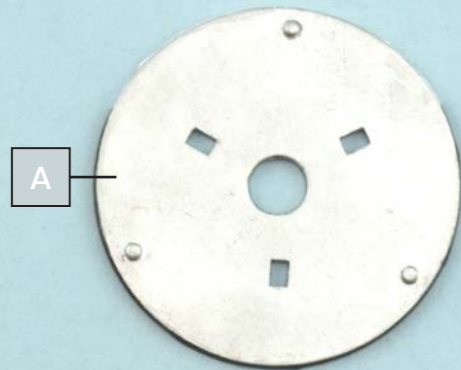
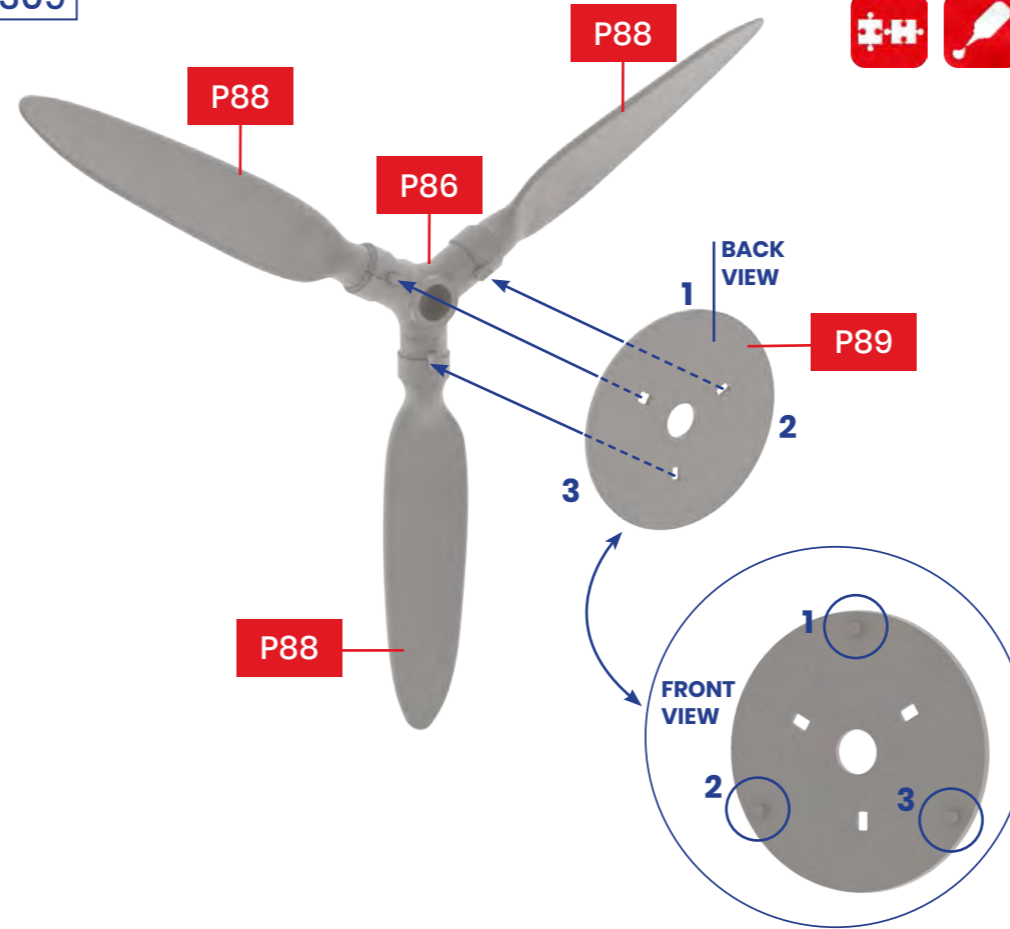
307



308



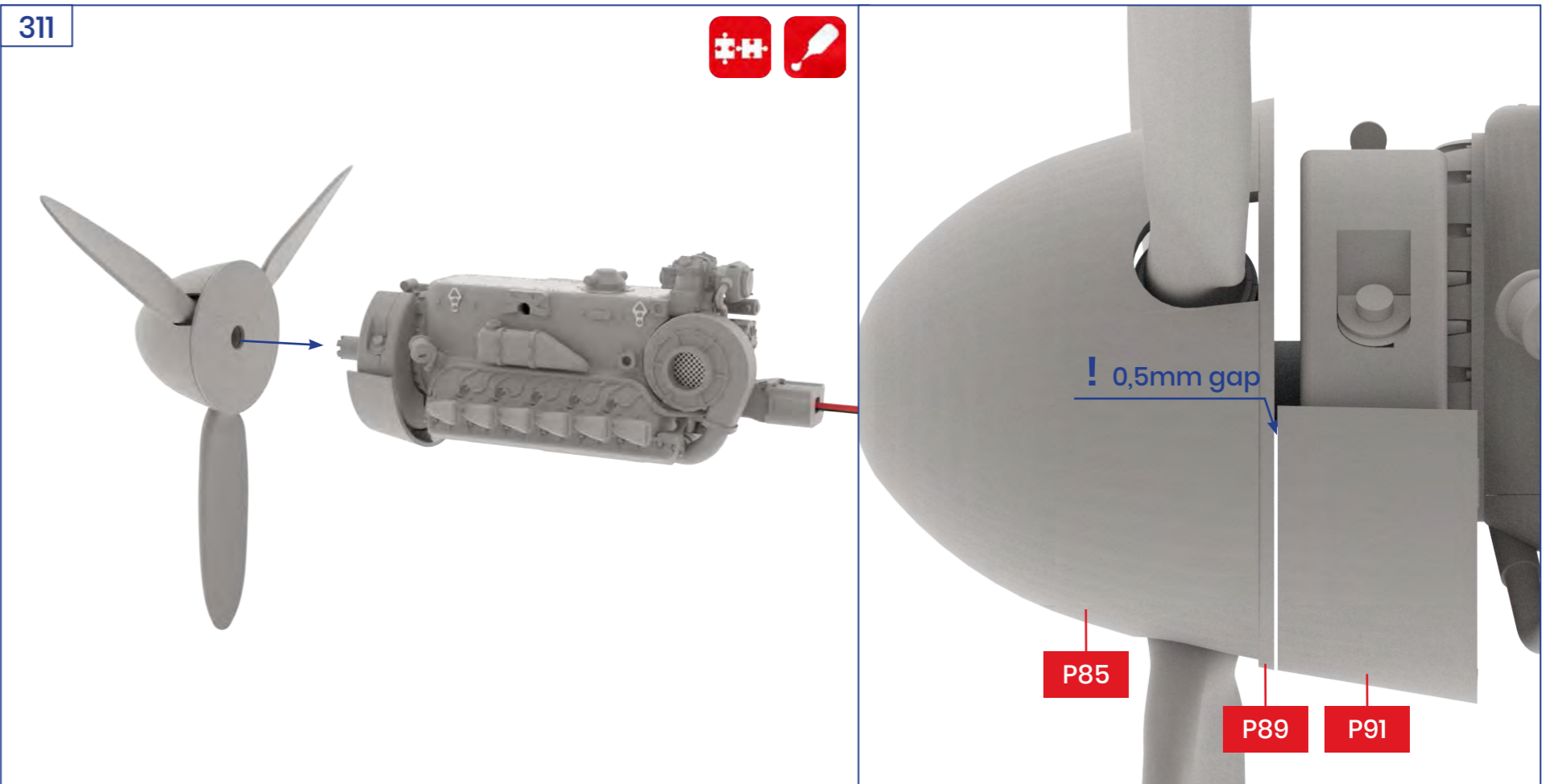
309



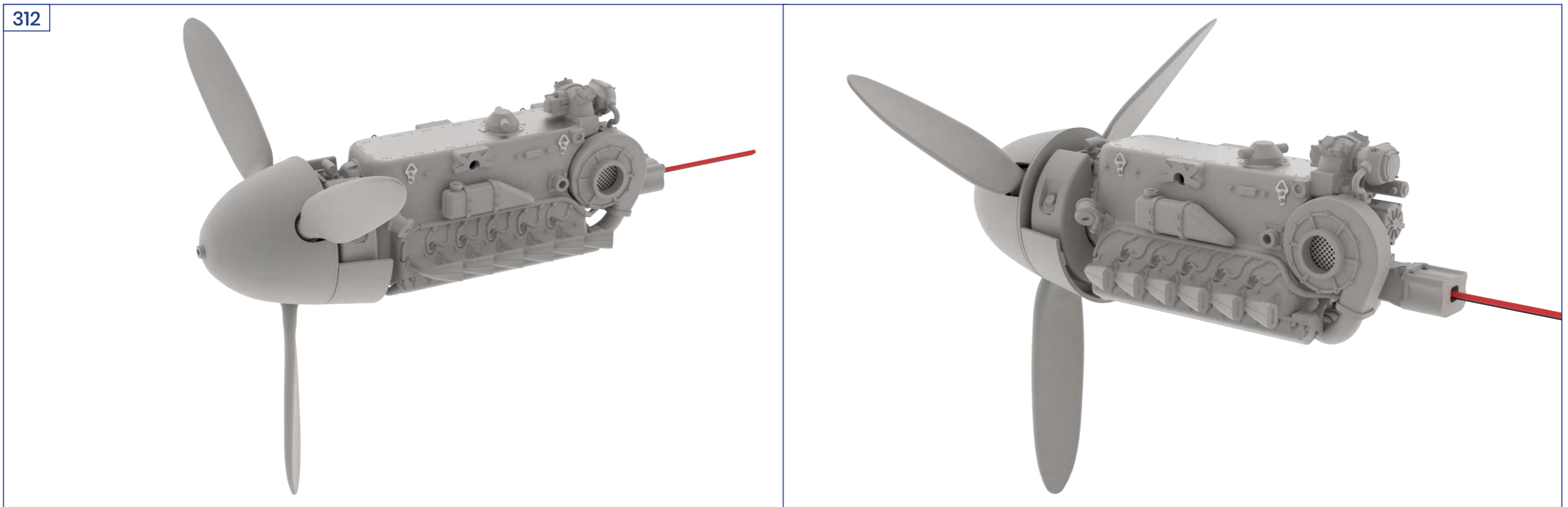
310



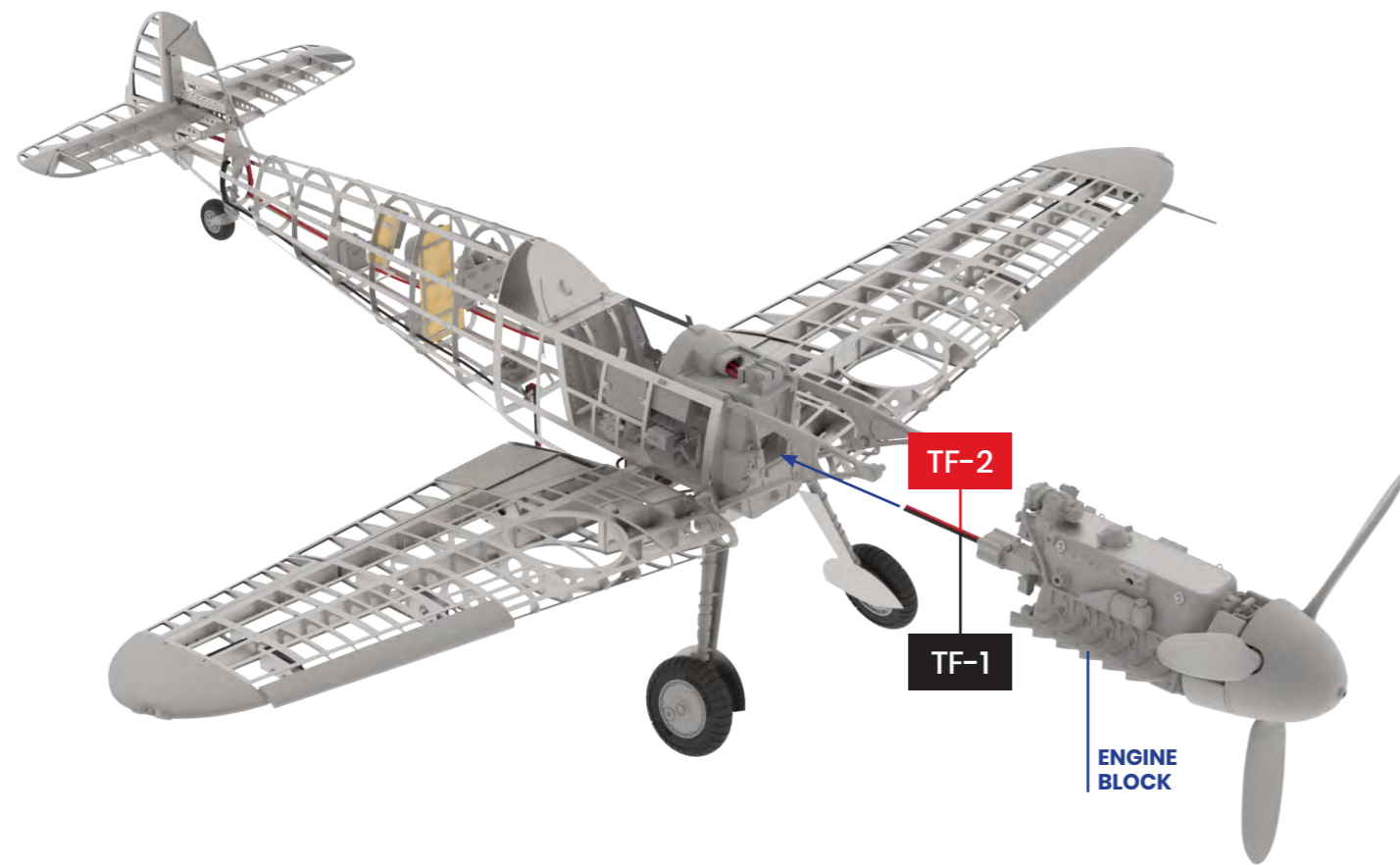
311



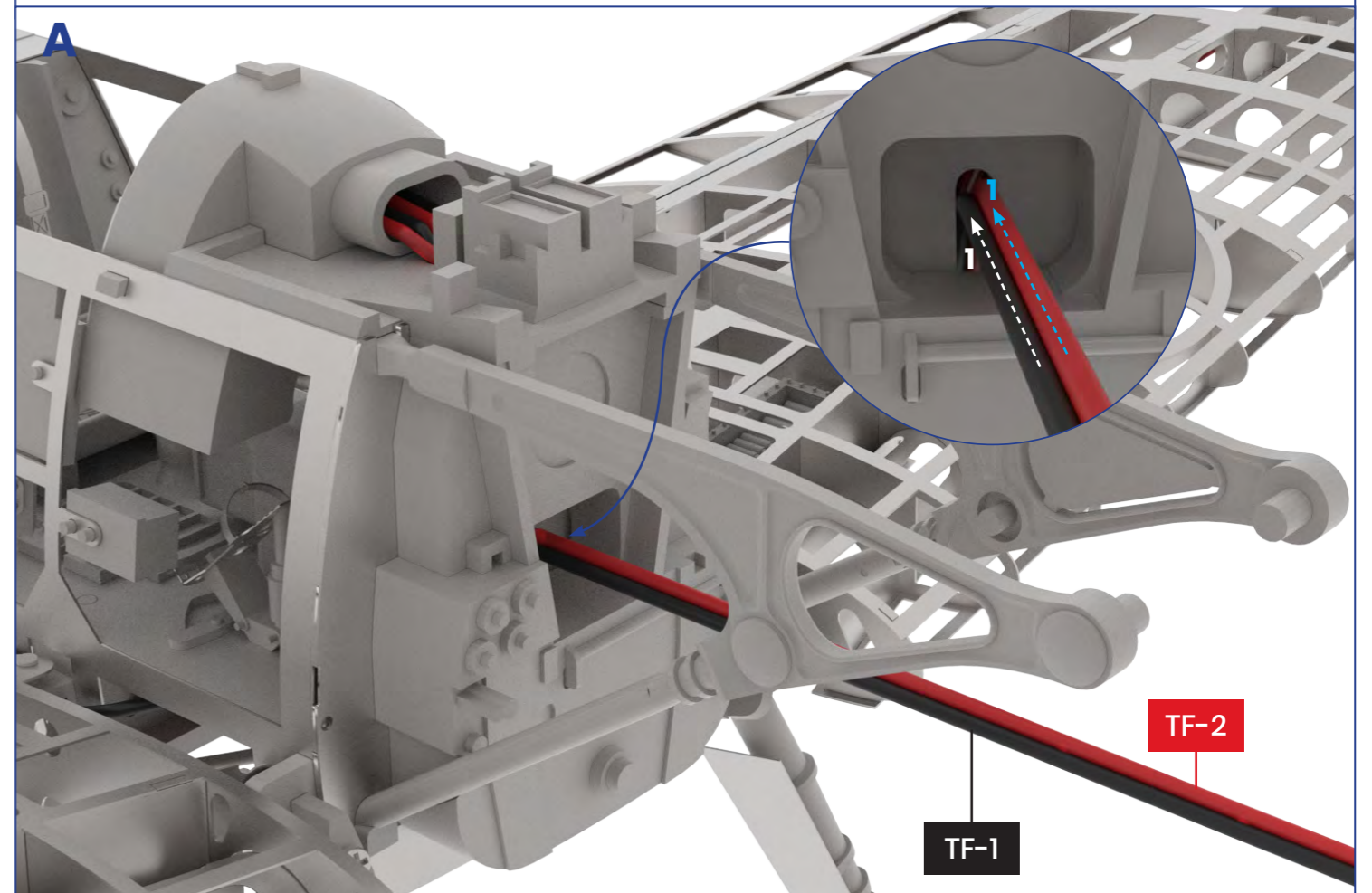
312

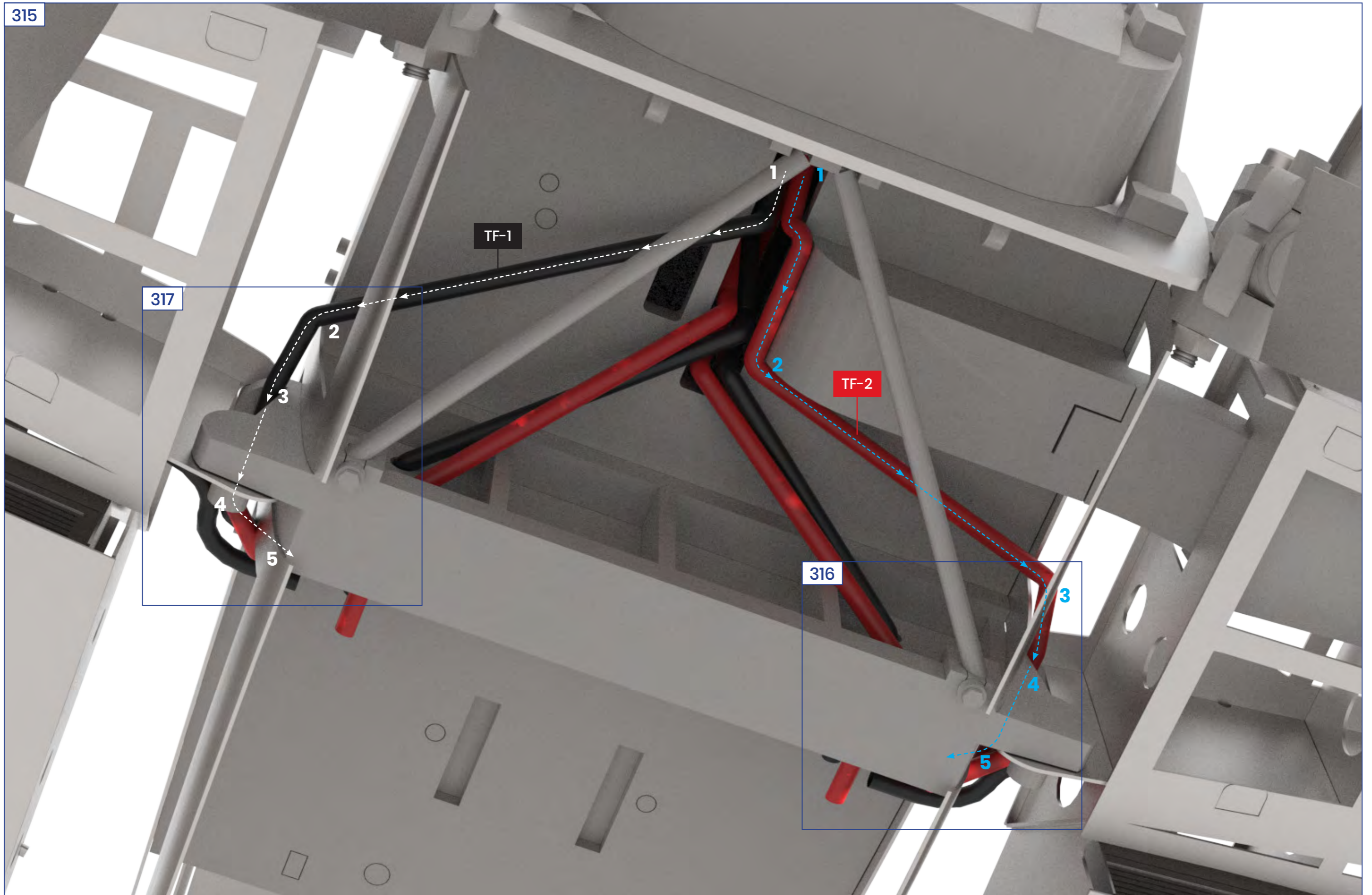


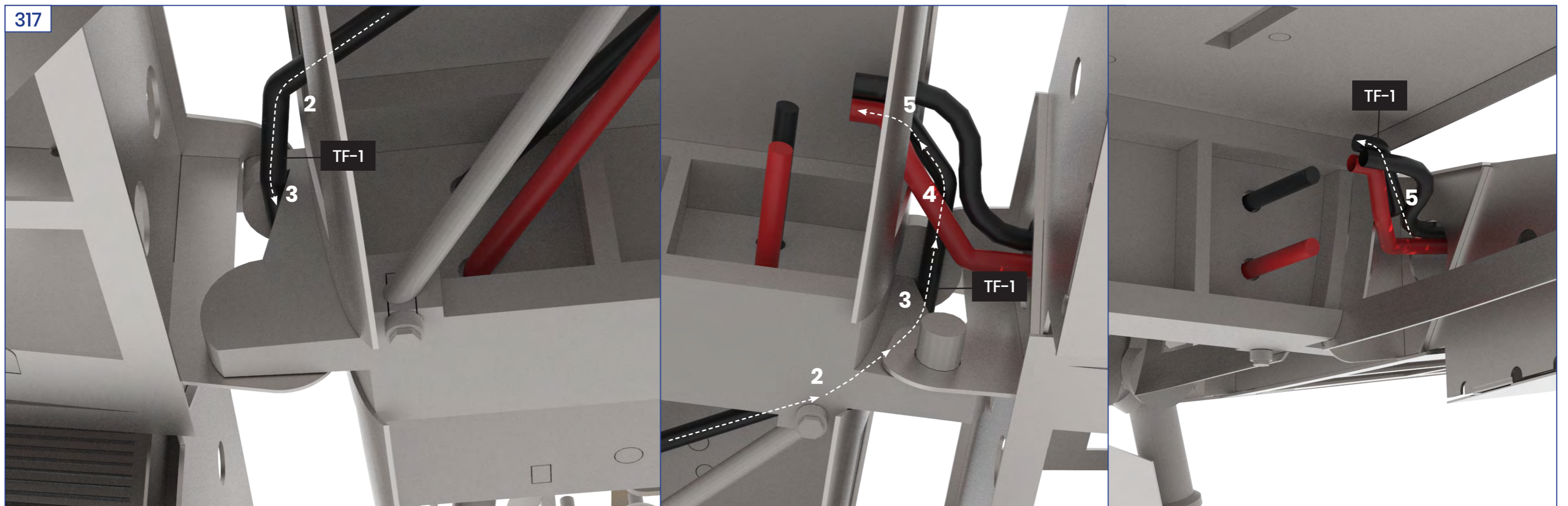
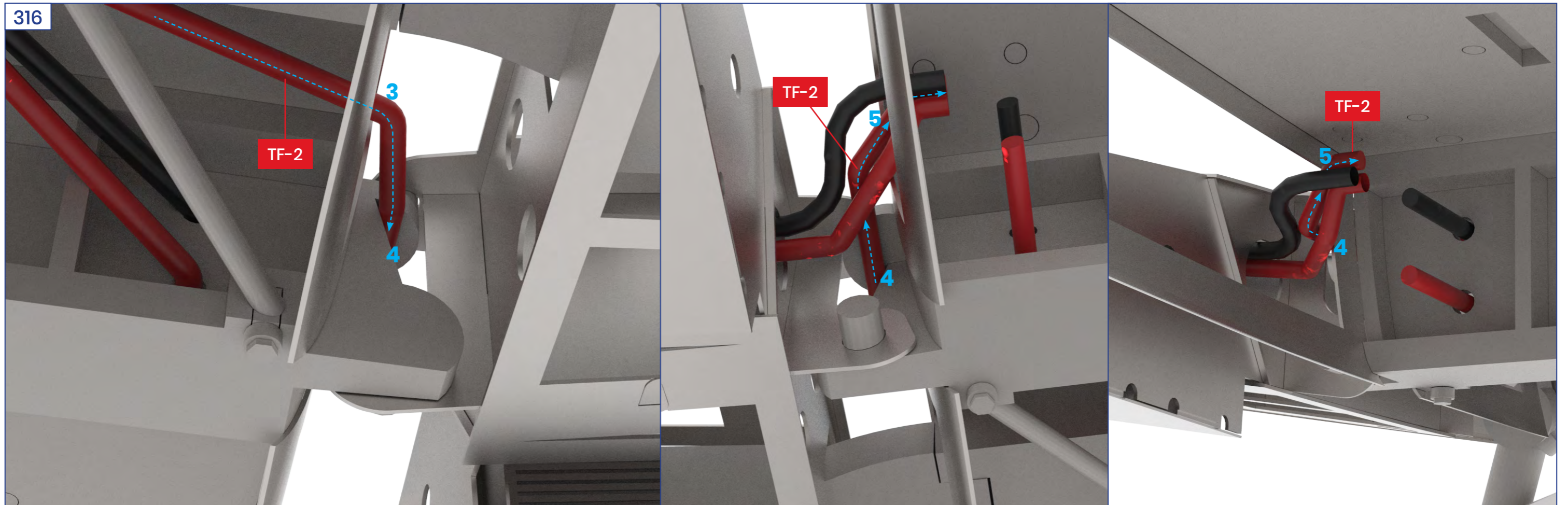
313



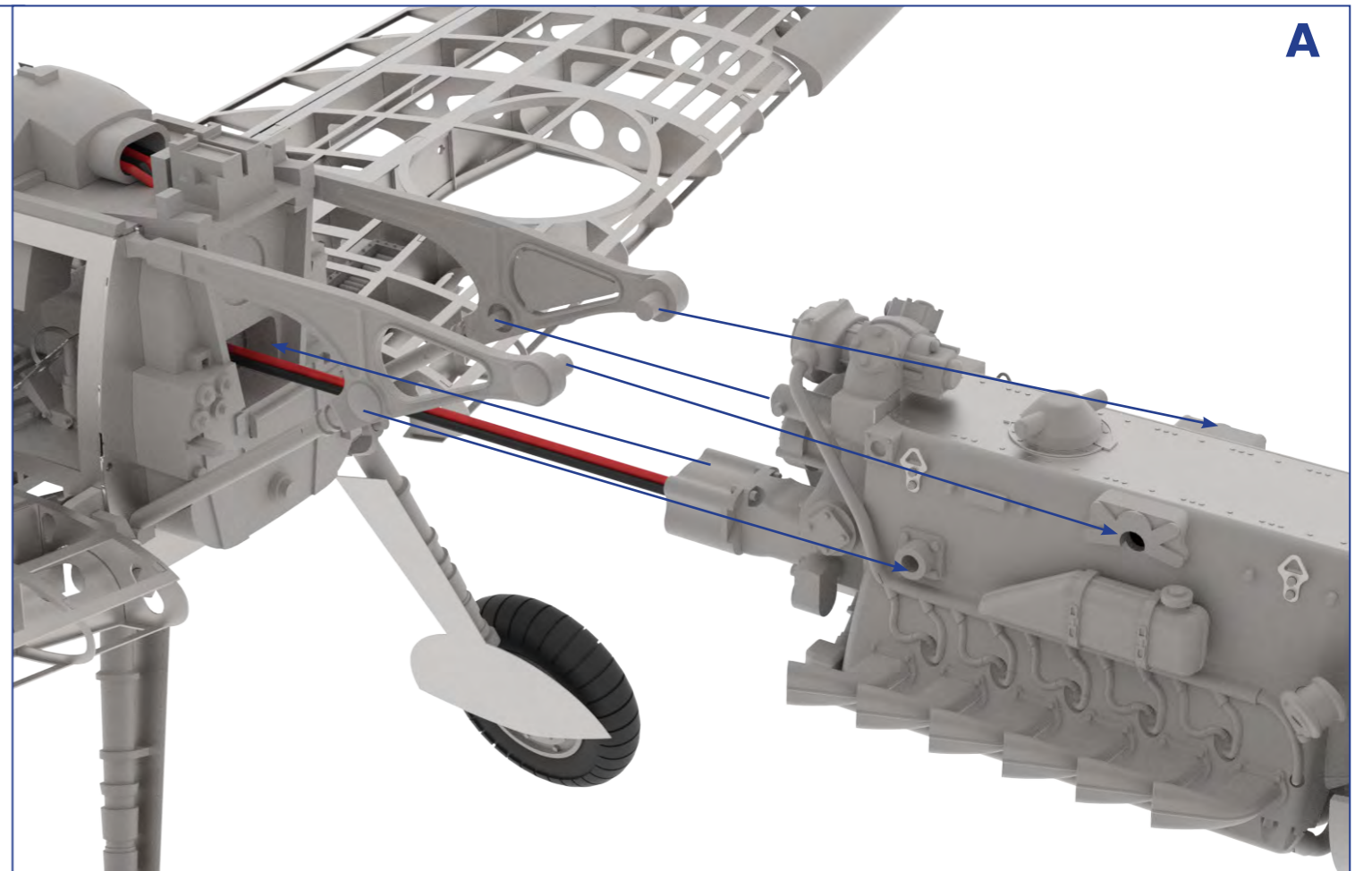
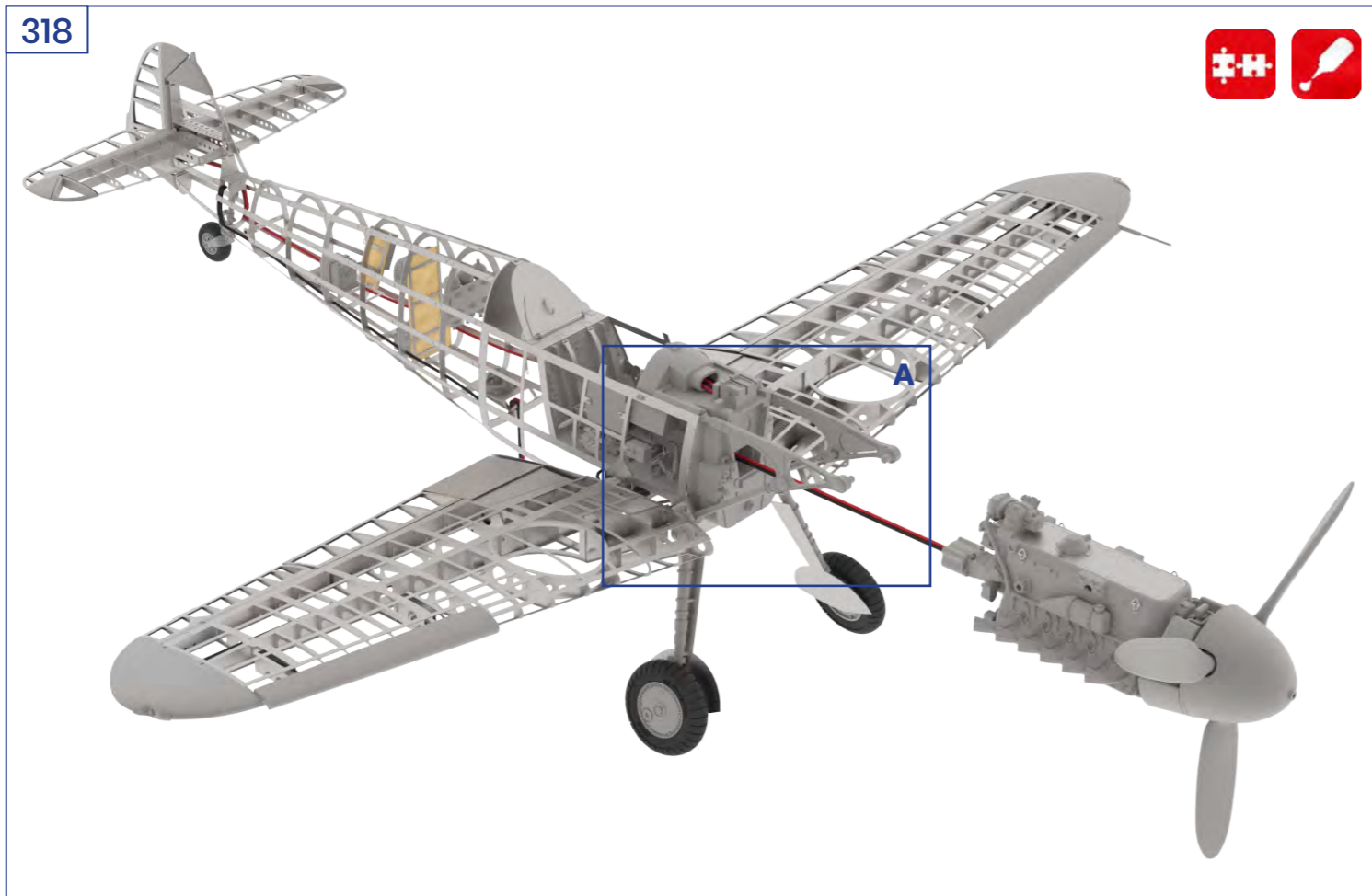
314



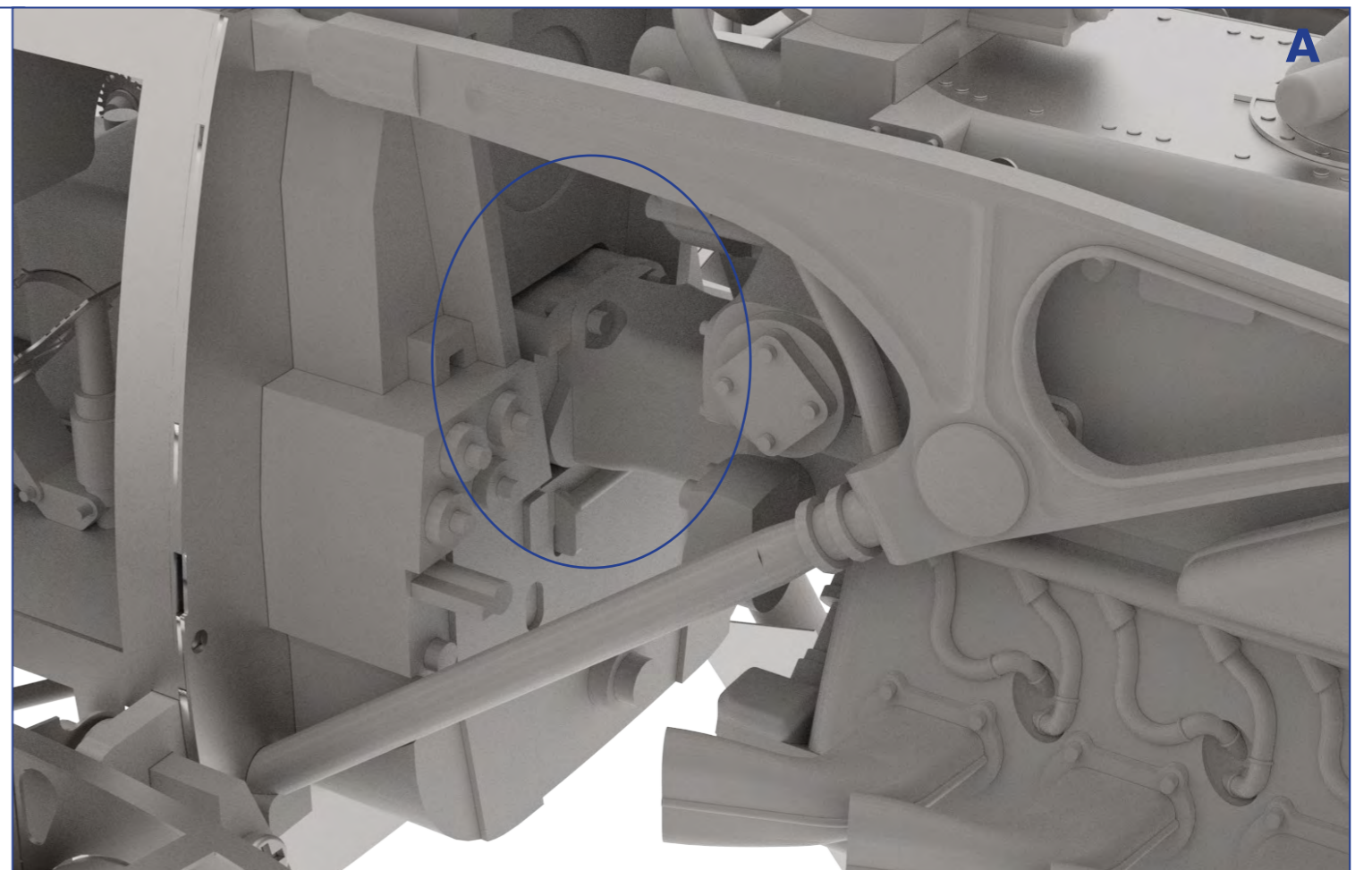
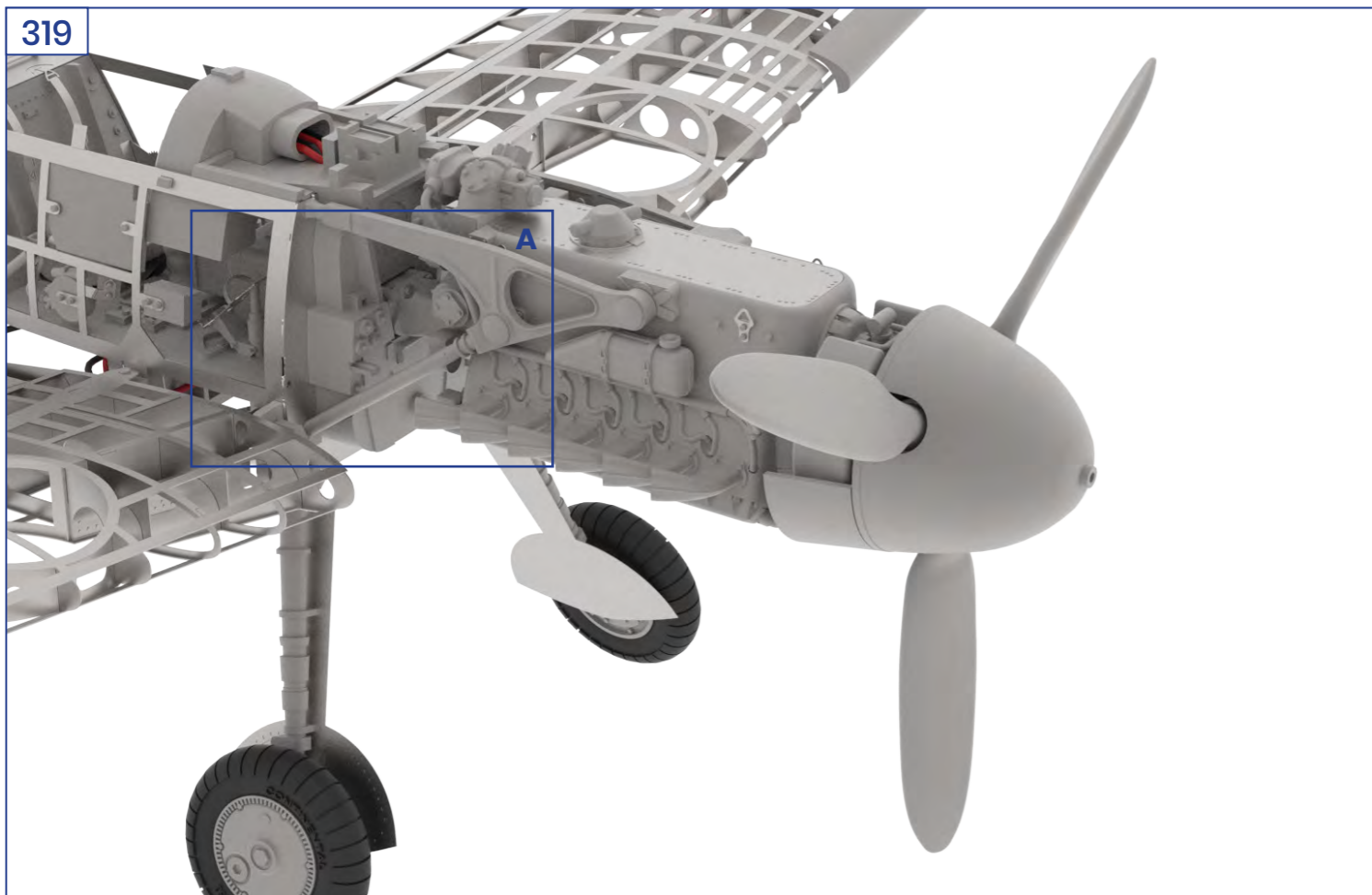




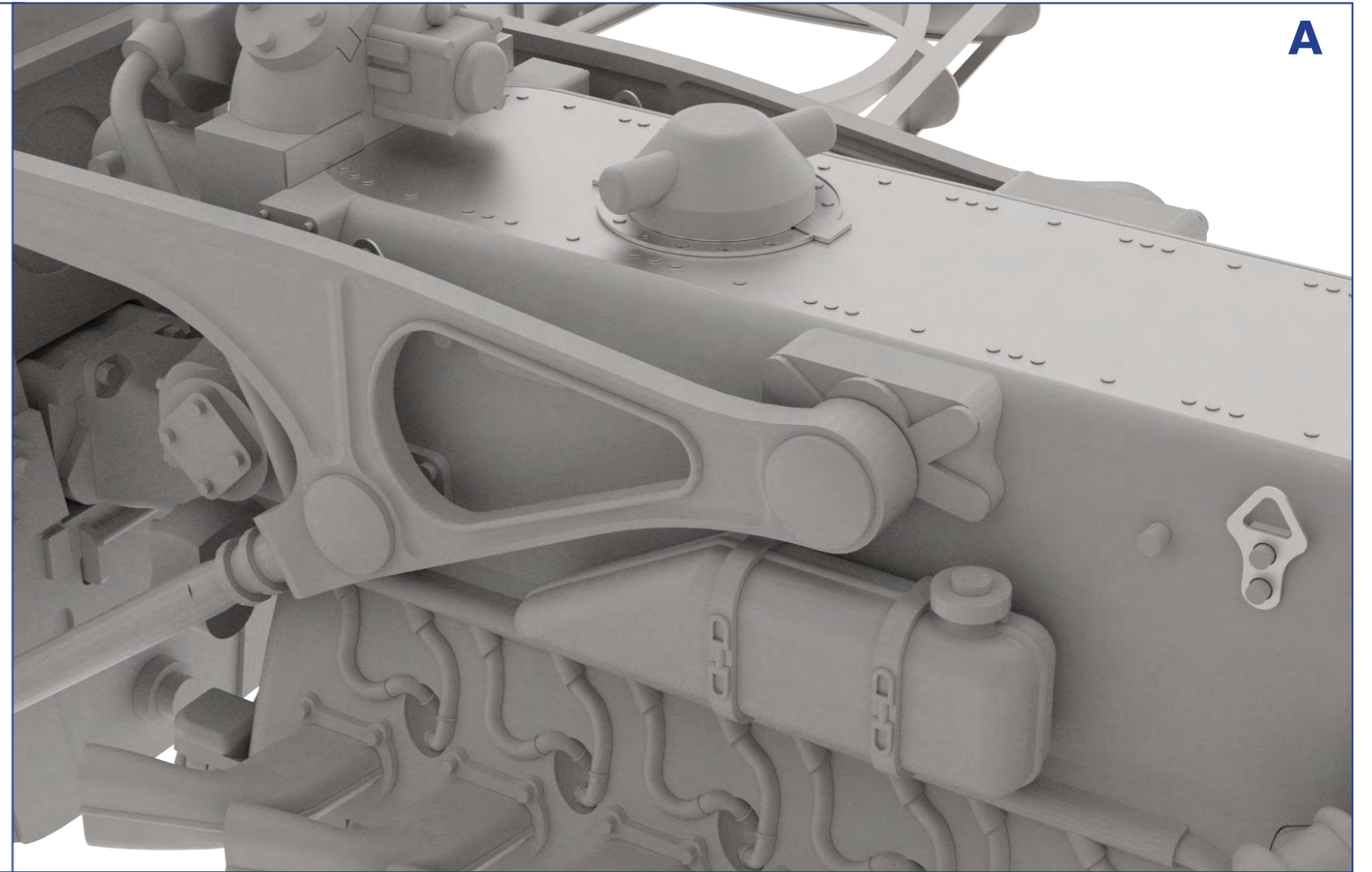
318



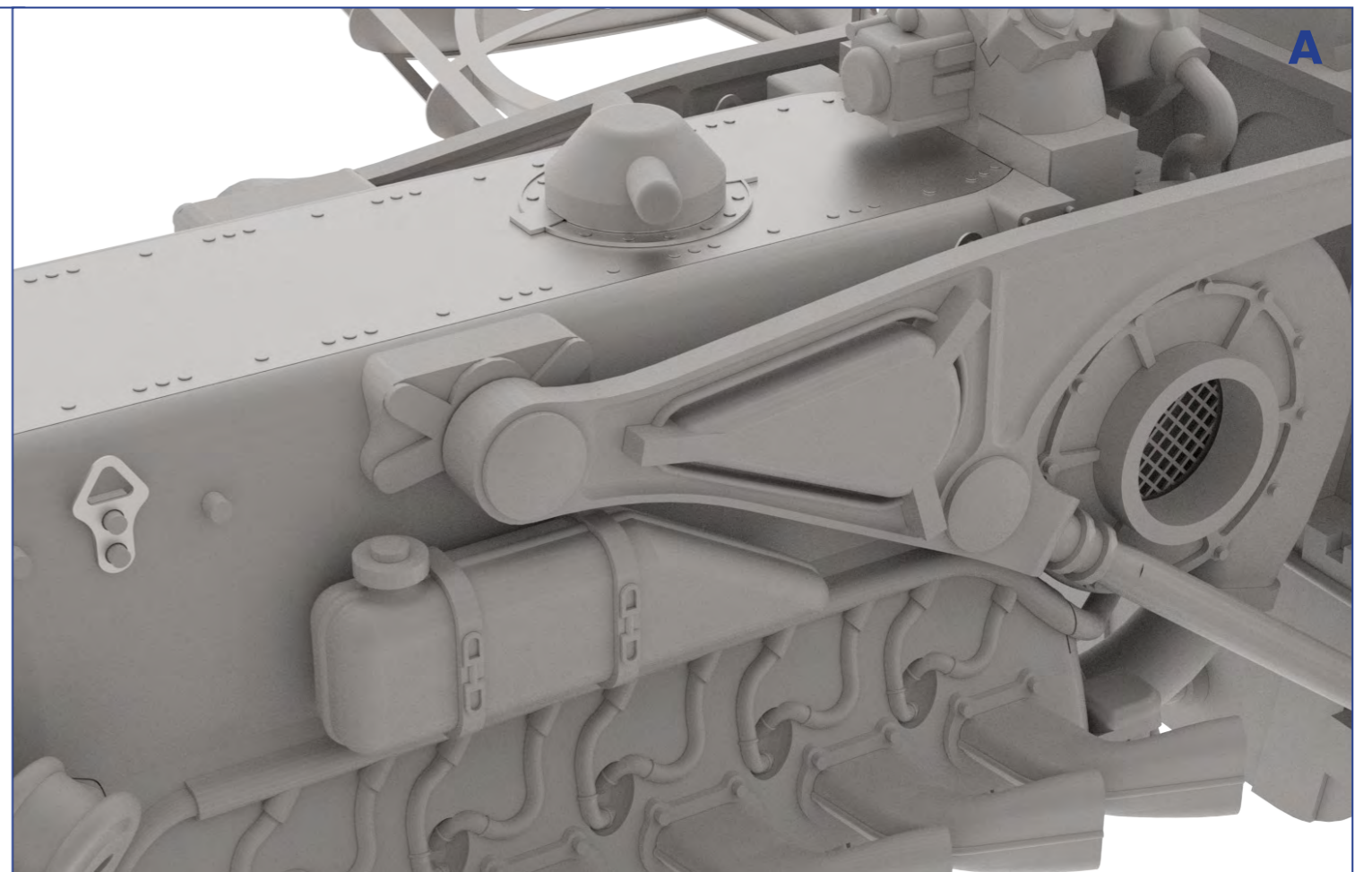
319



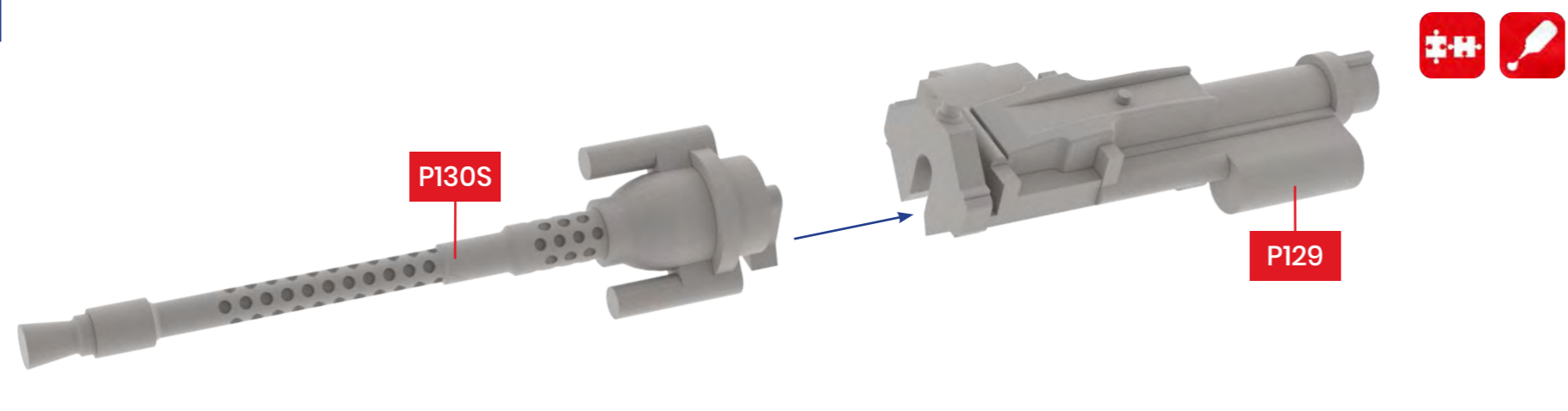
320



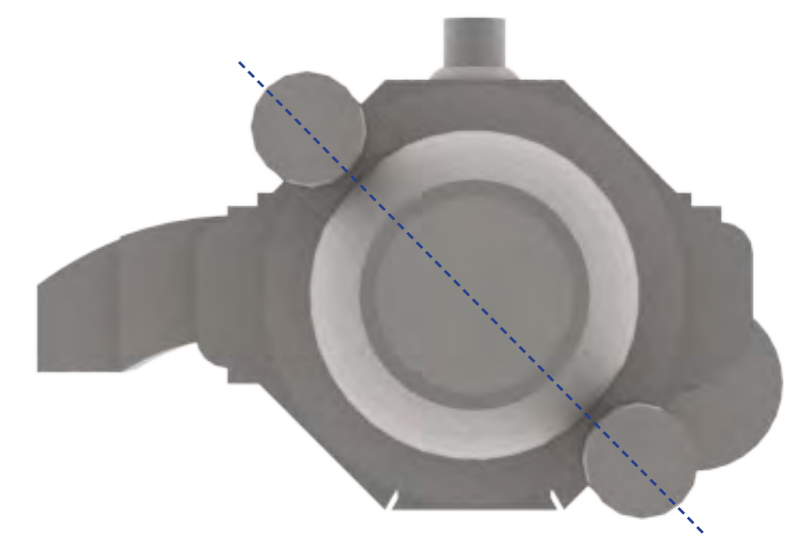
321



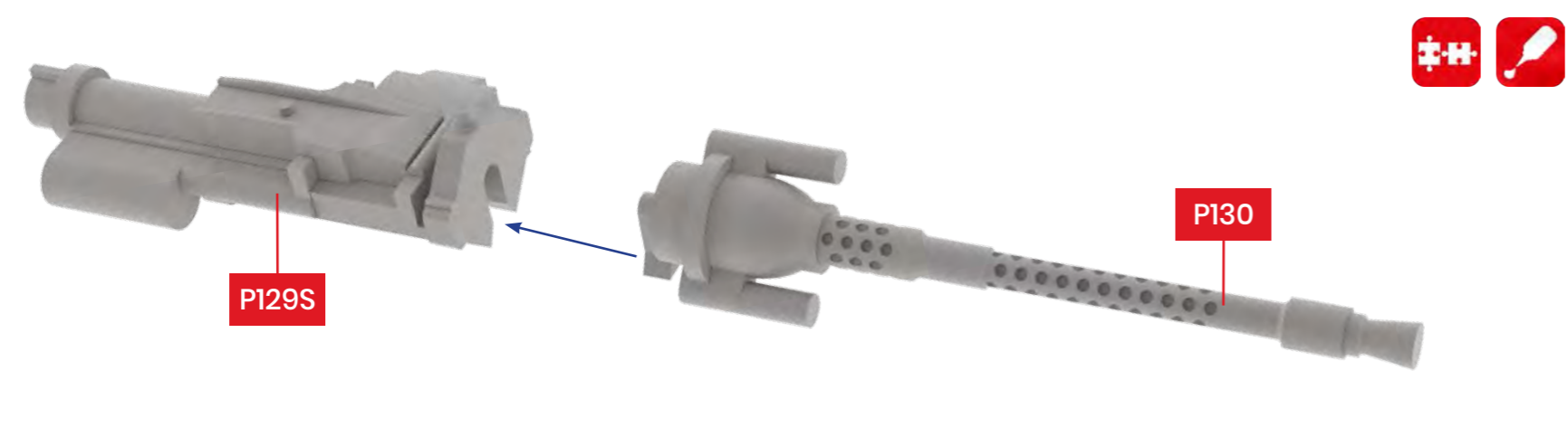
322



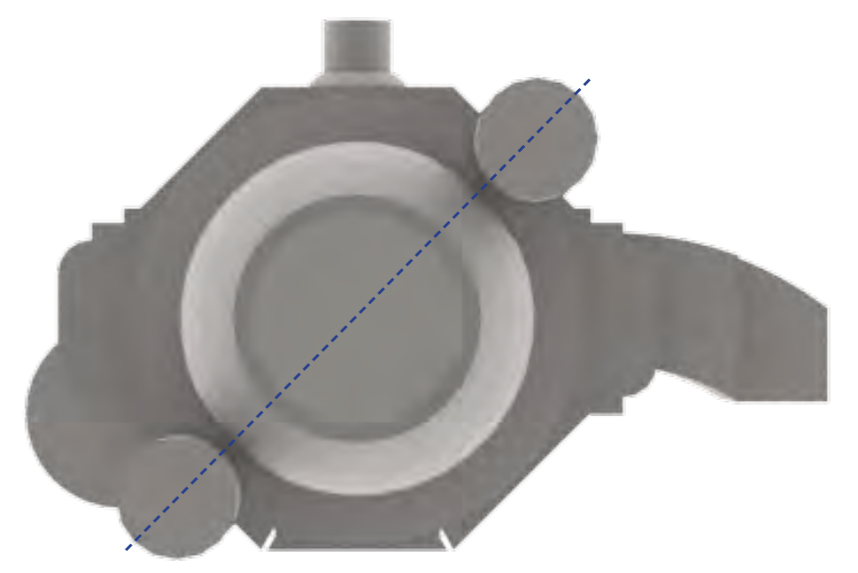
FRONT



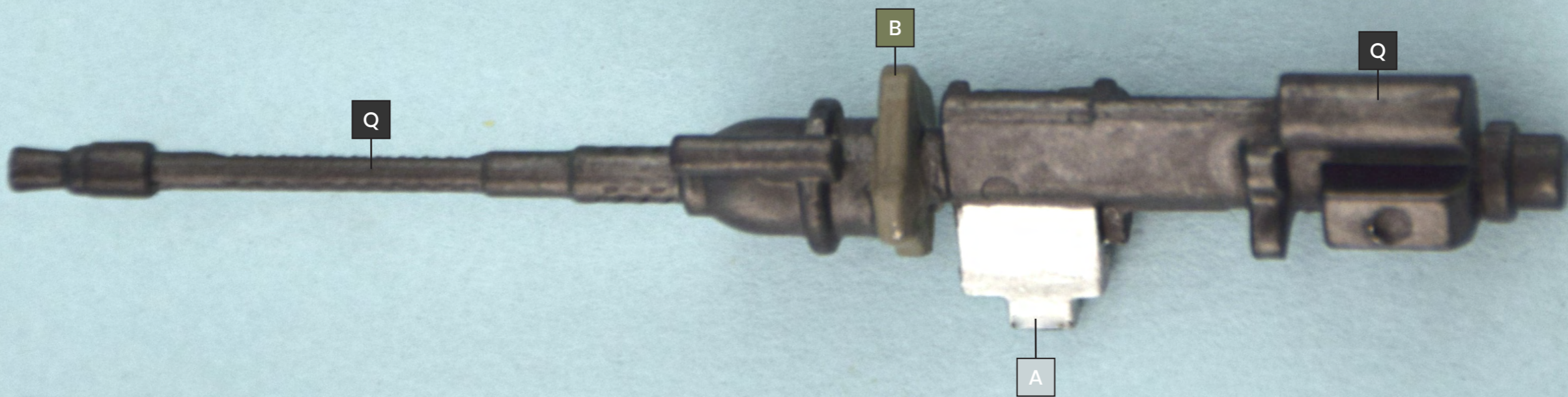
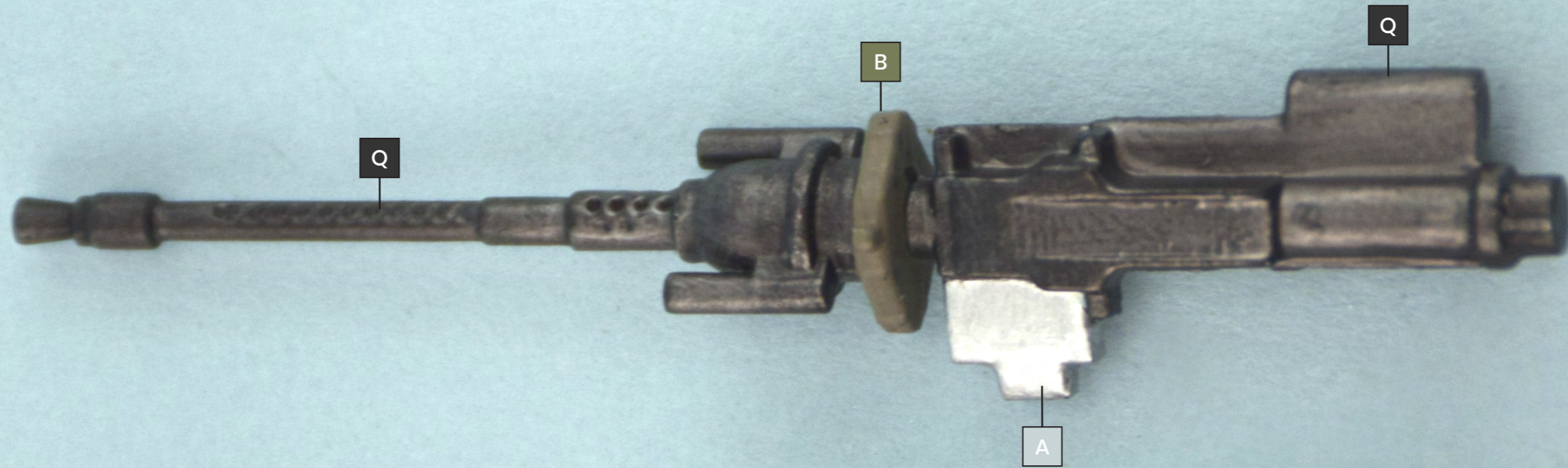
323



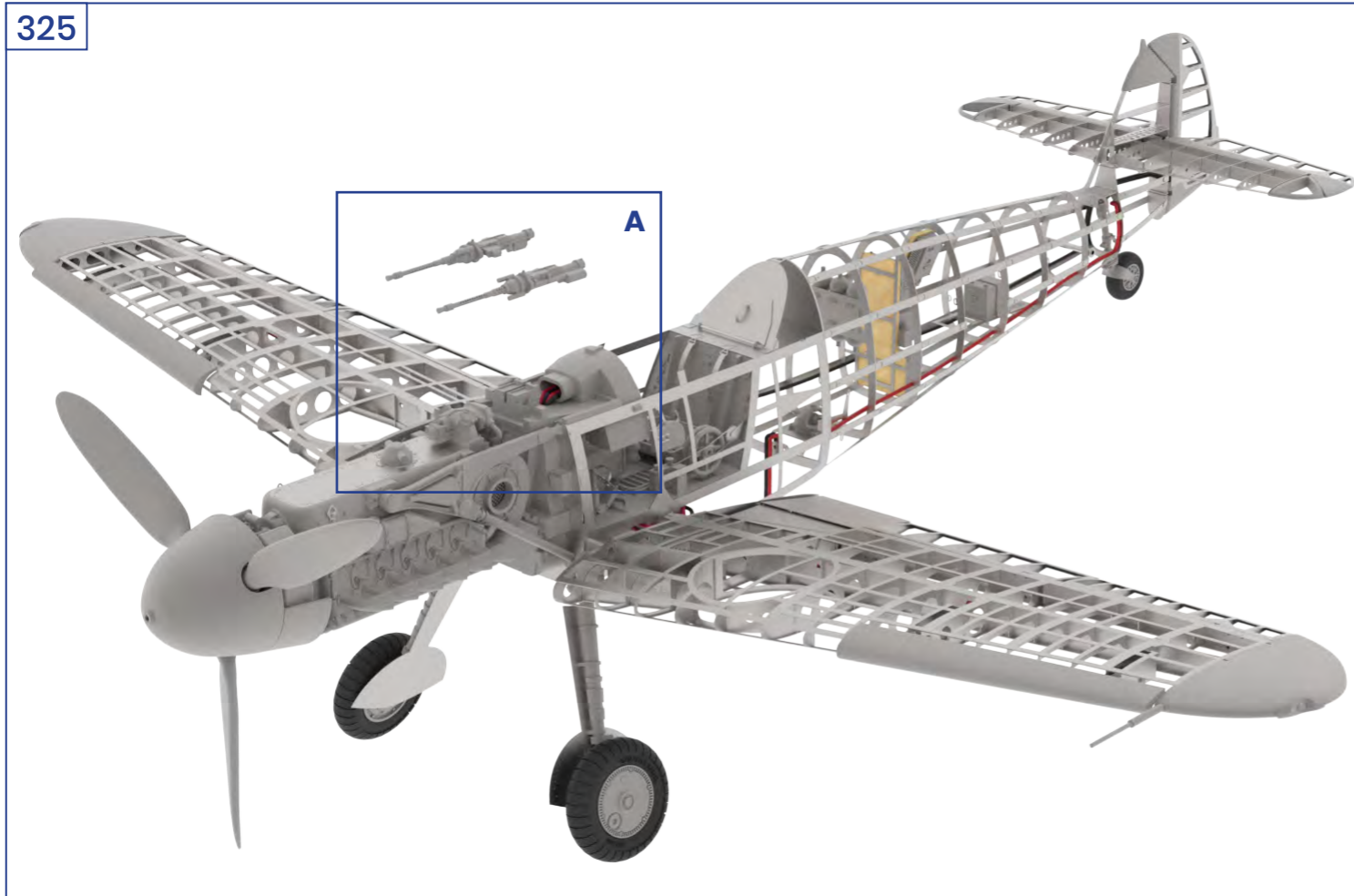
FRONT



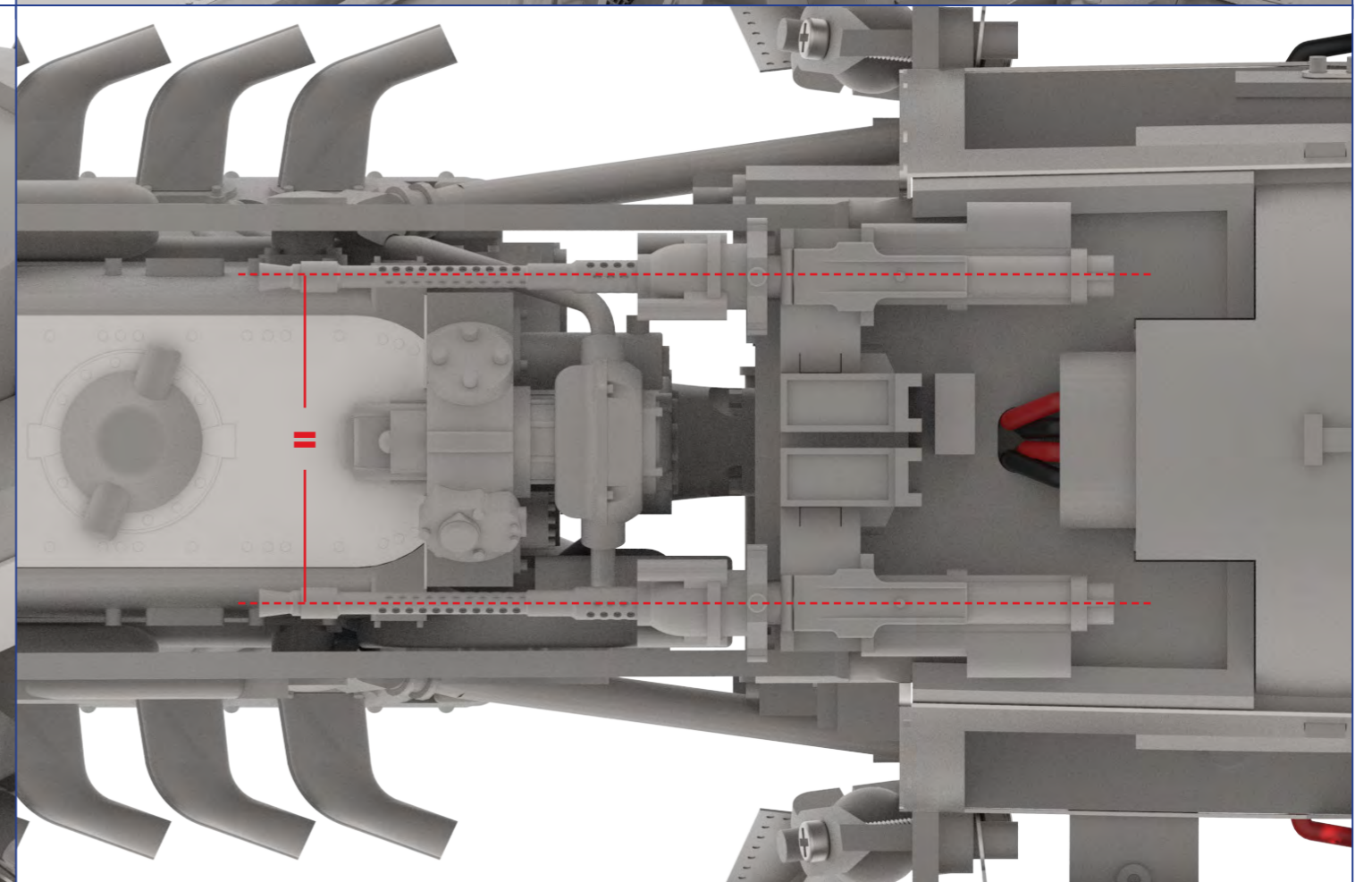
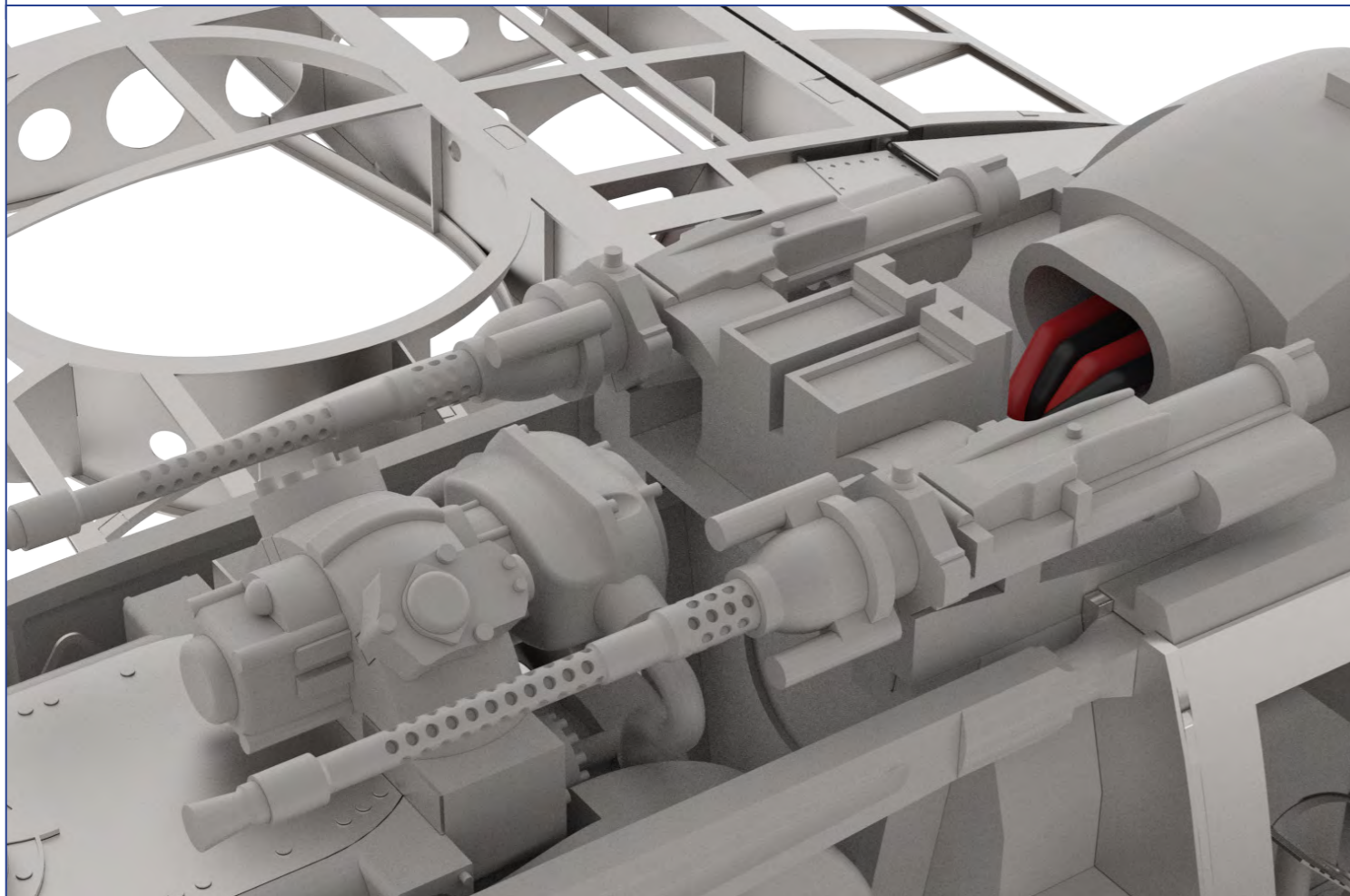
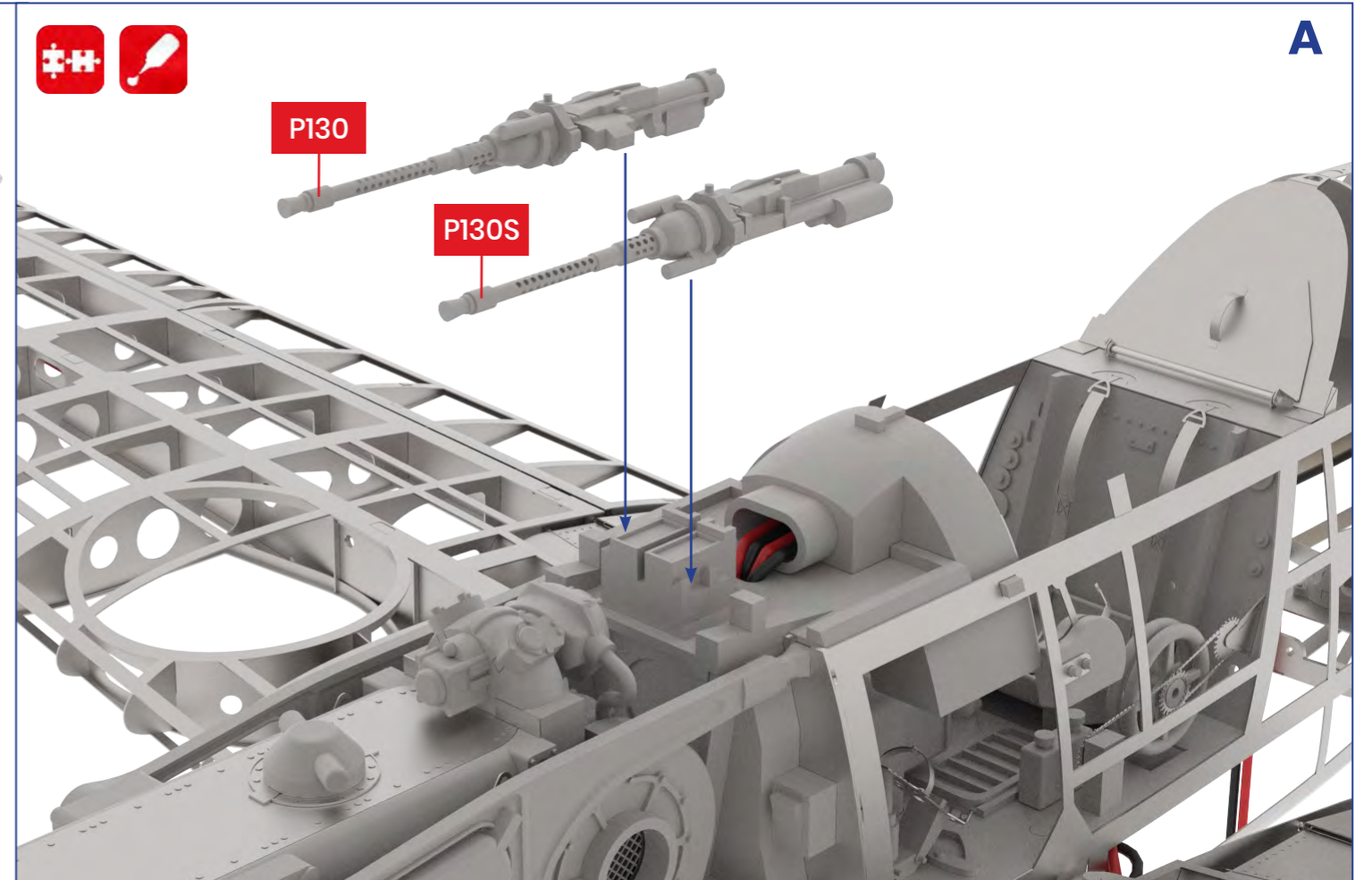
324



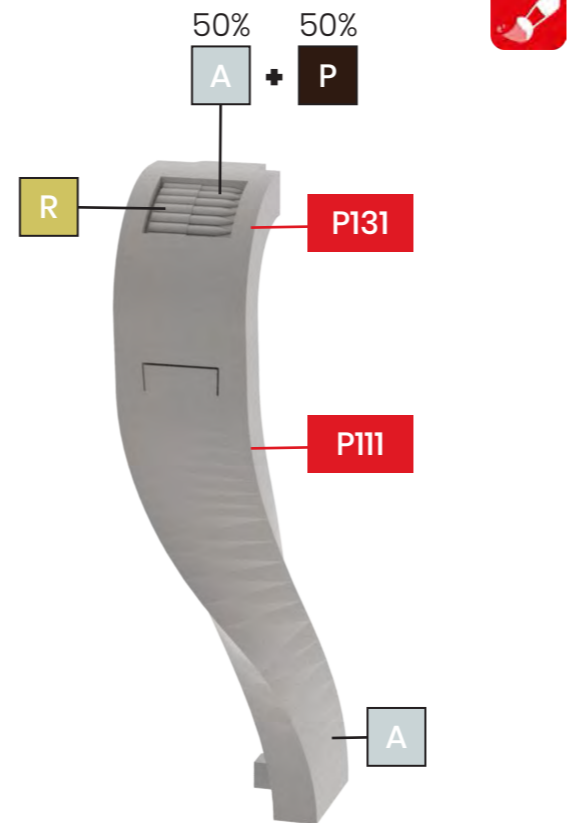
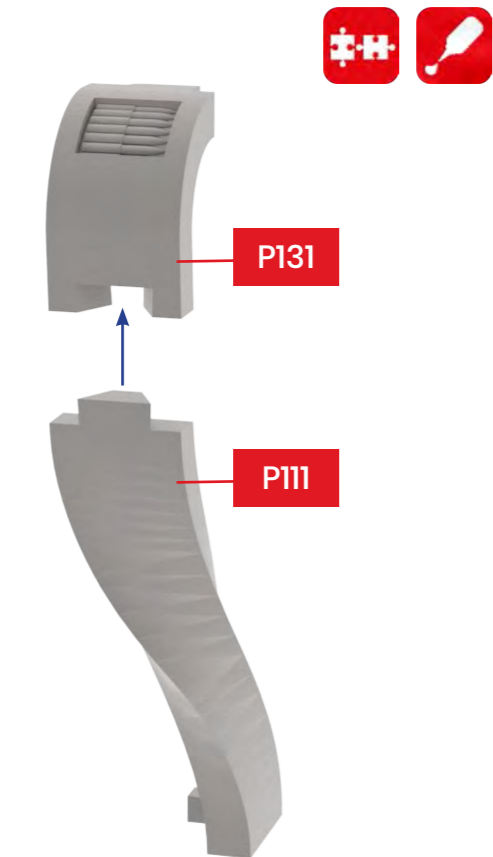
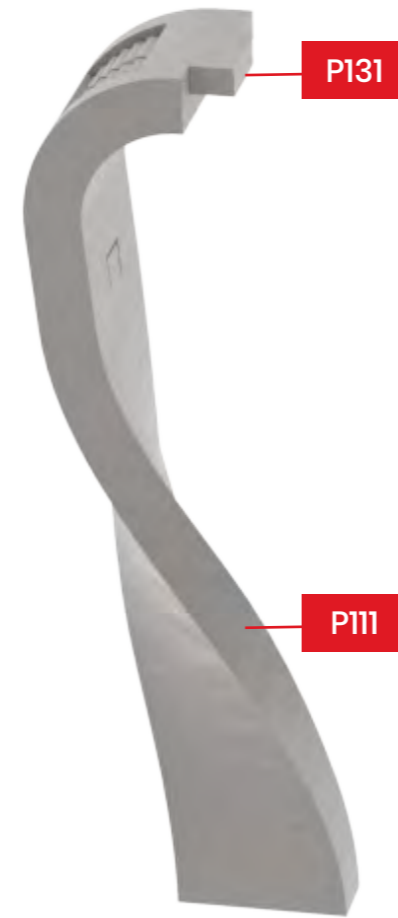
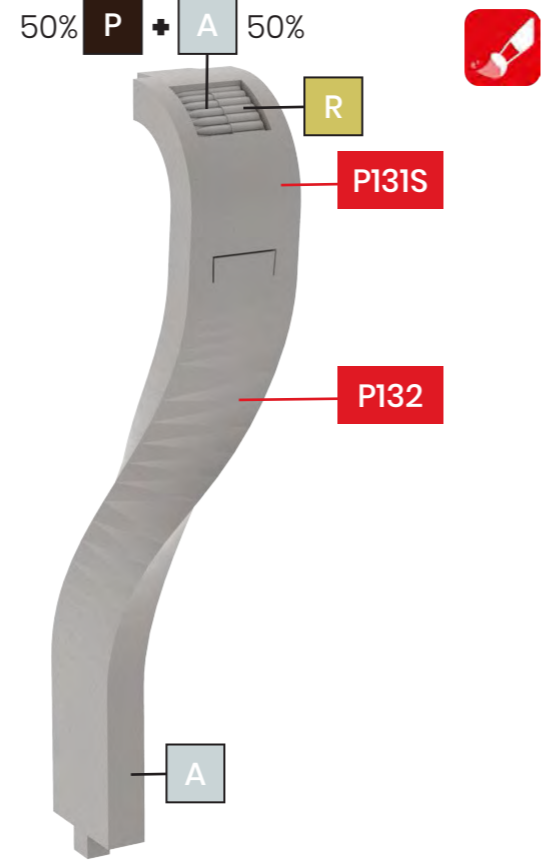
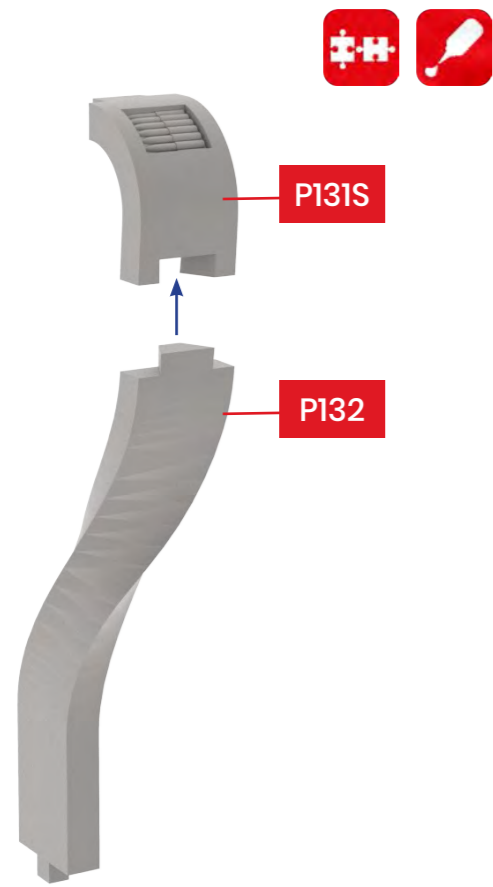
325

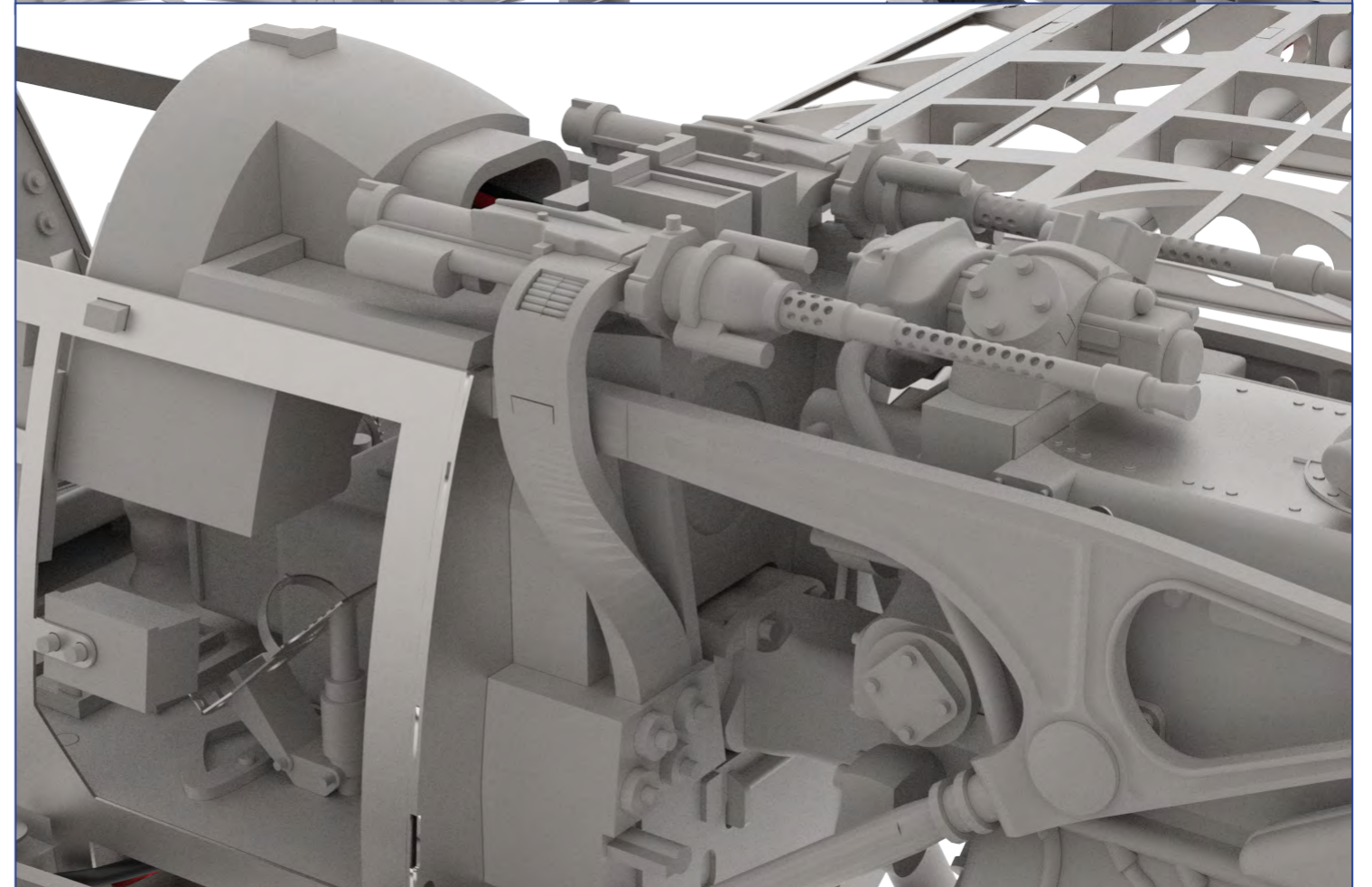
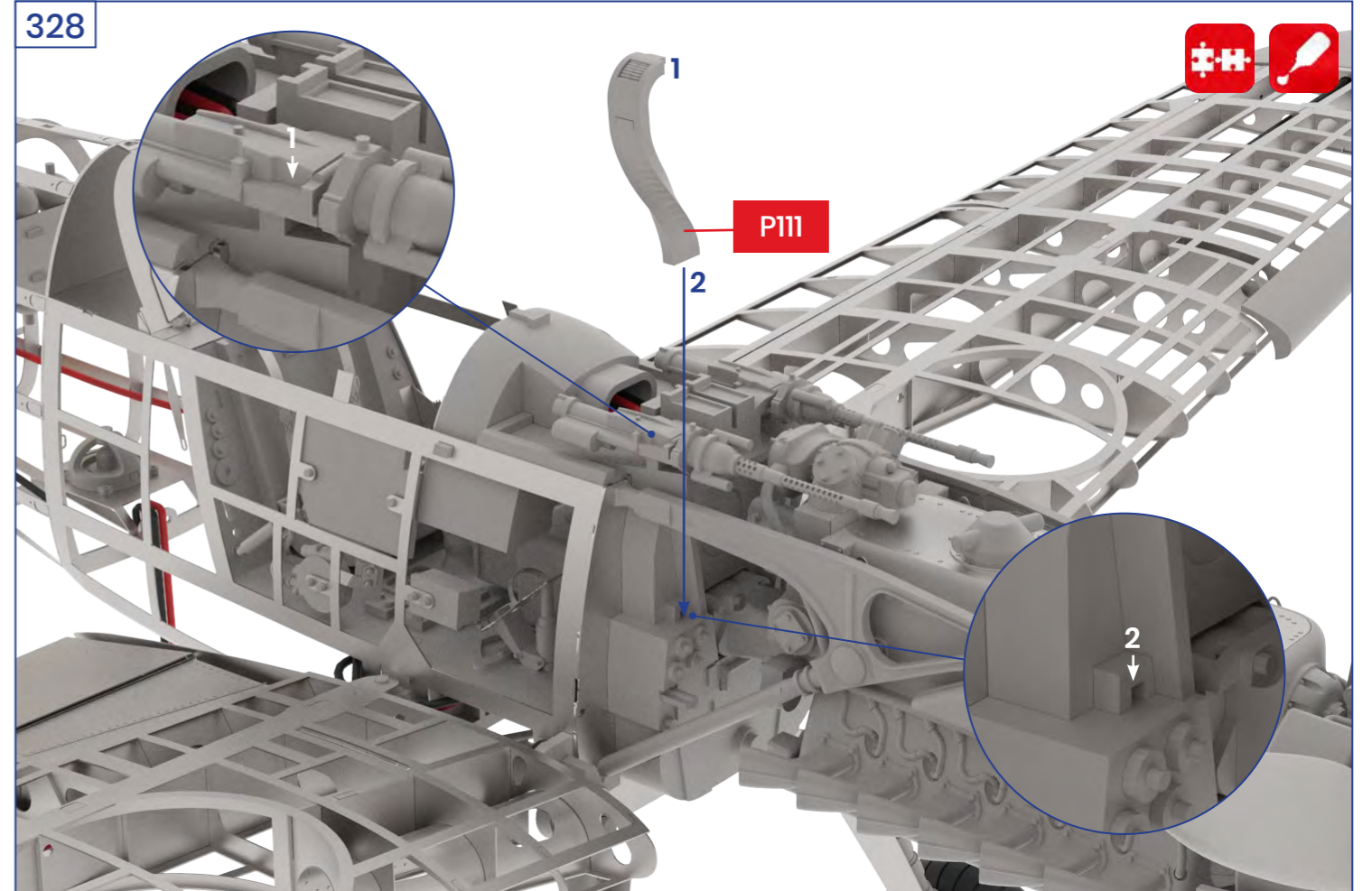
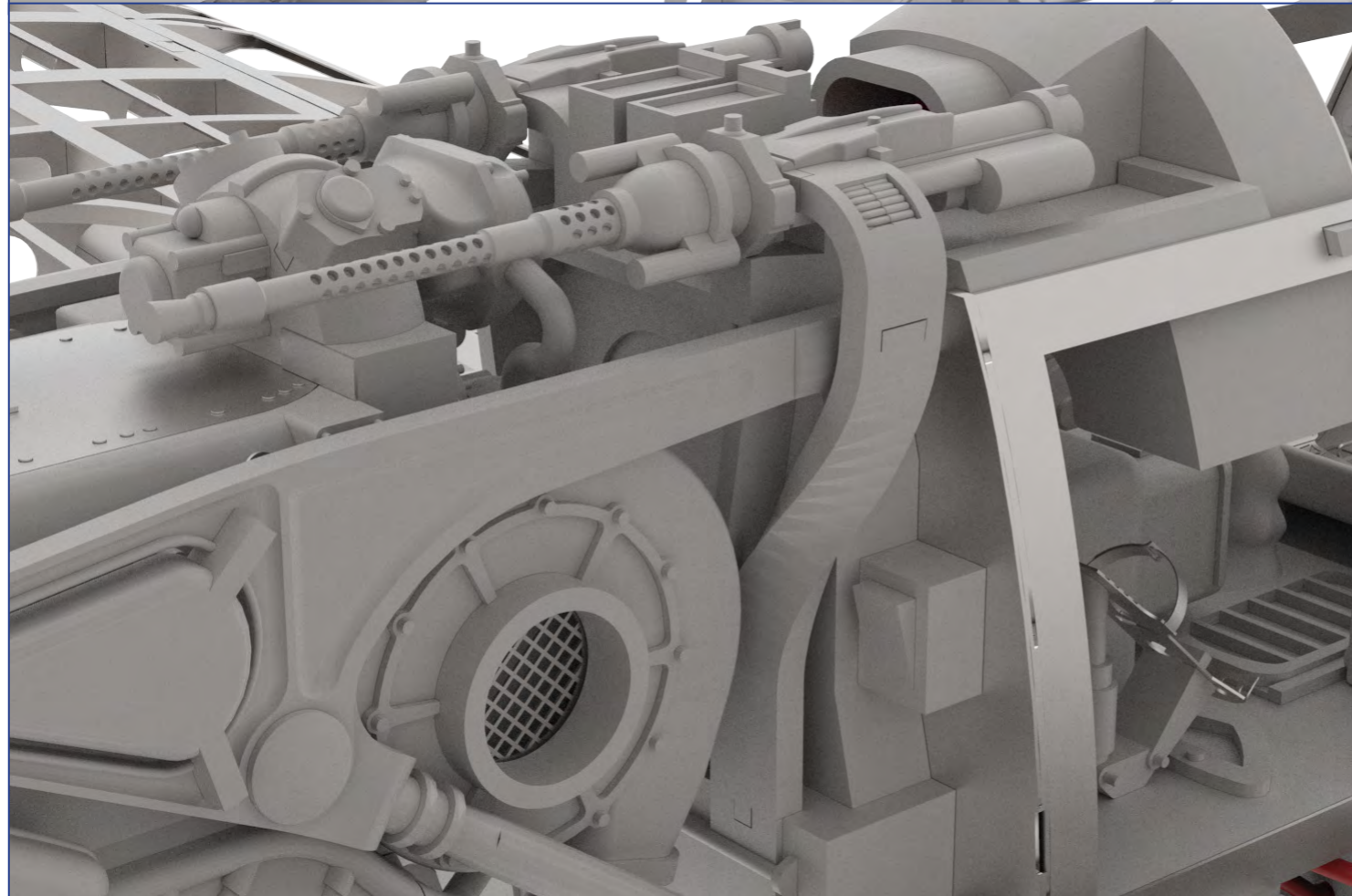
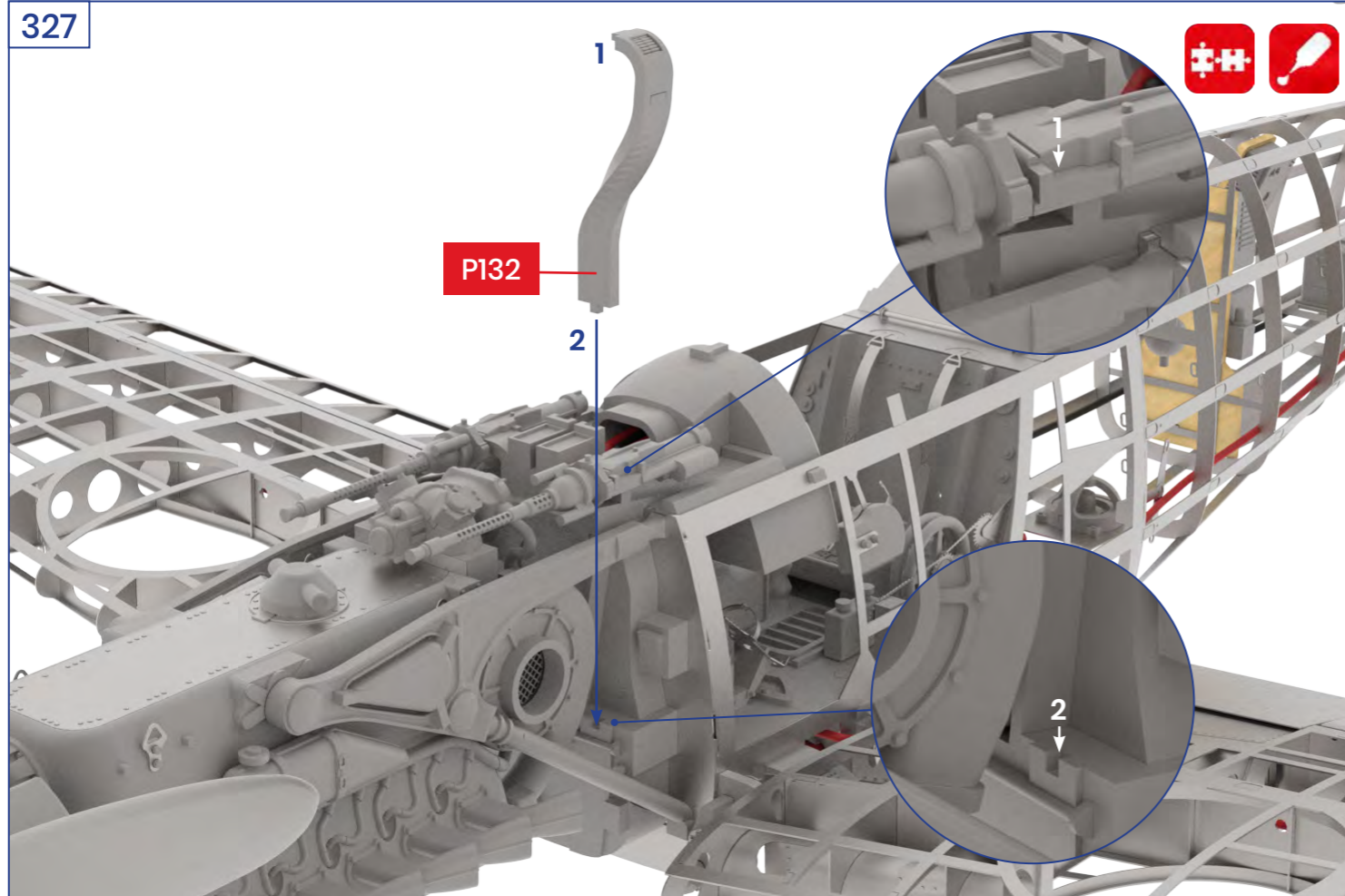


A

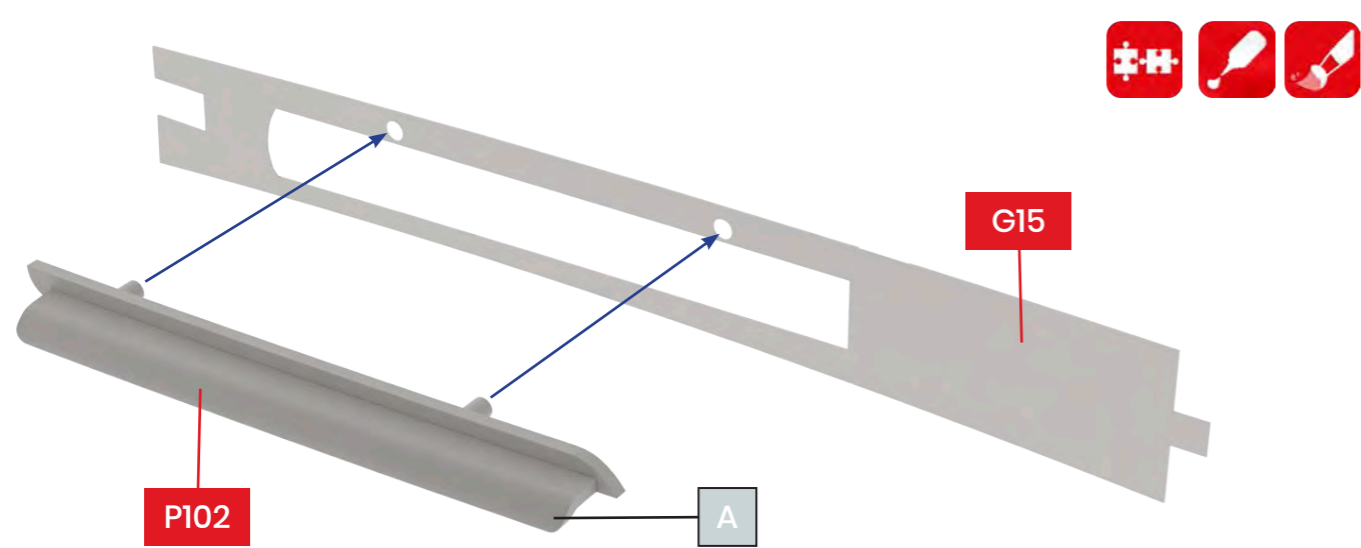


326





329



P102

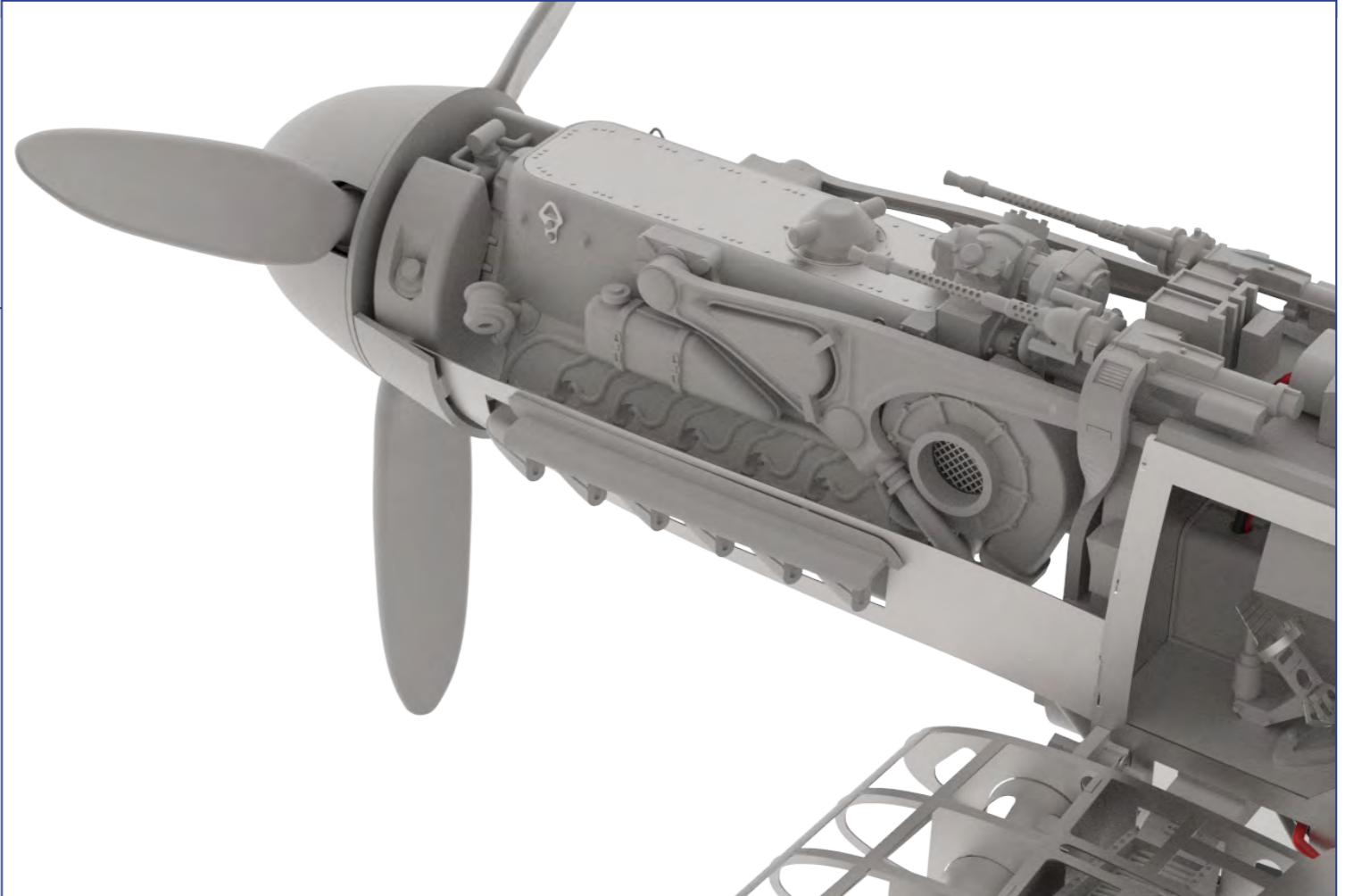
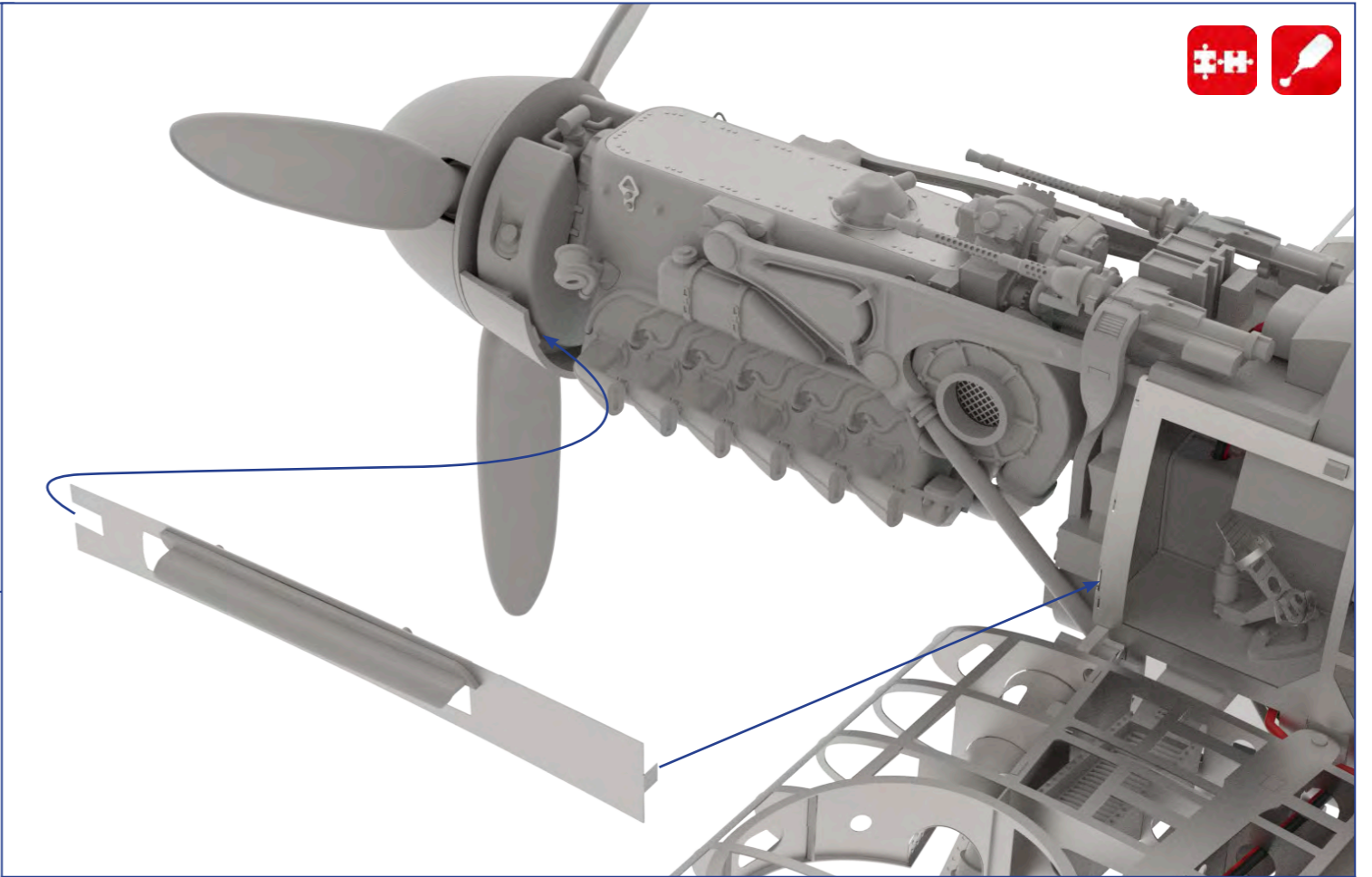
G15

A

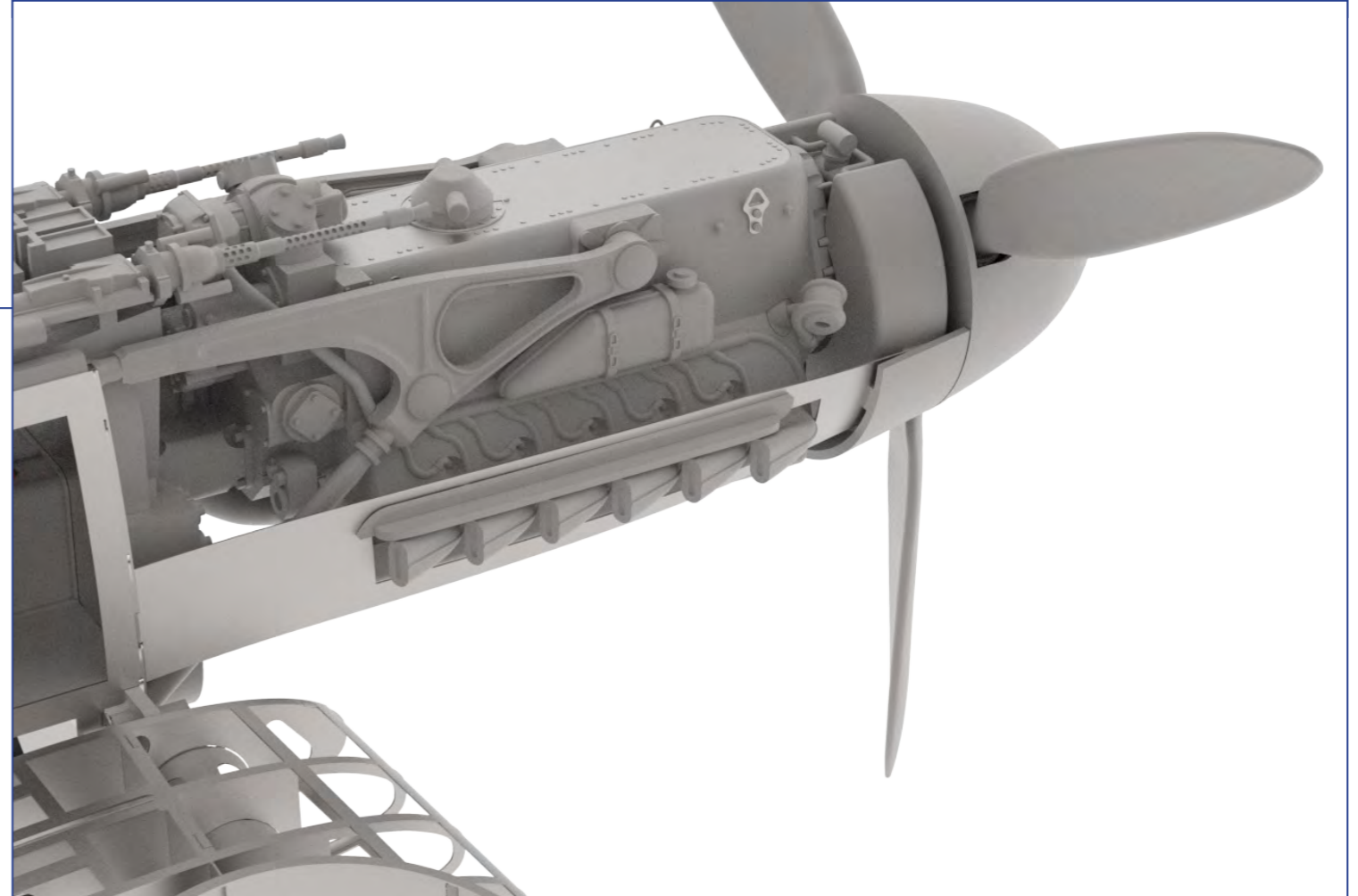
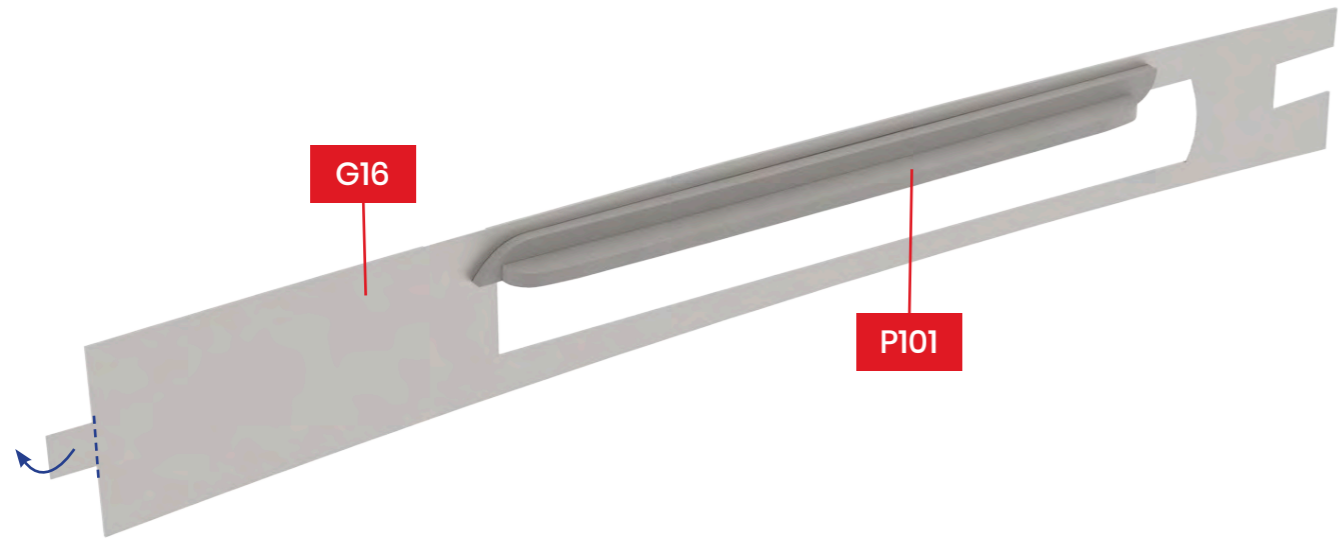
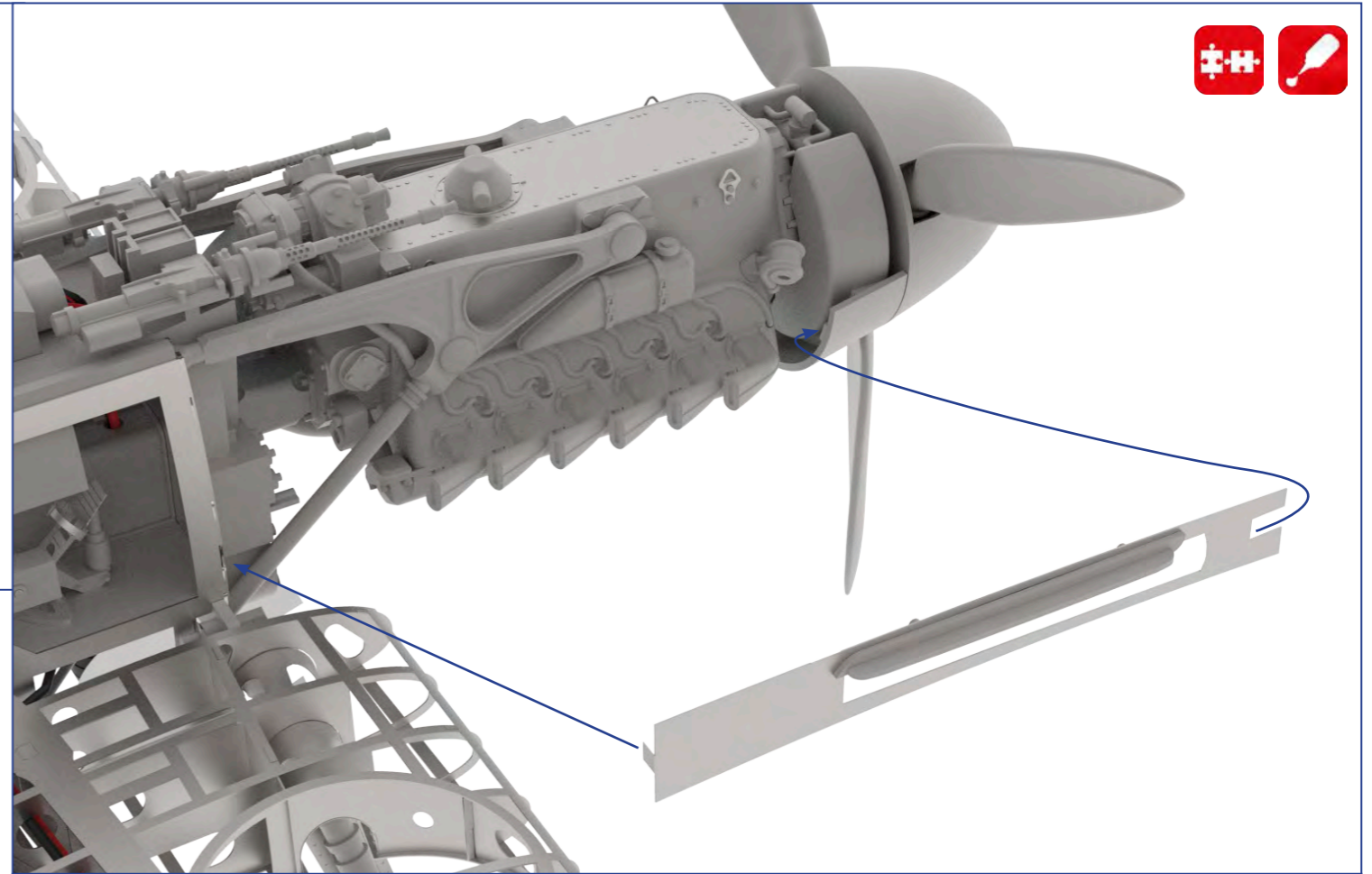
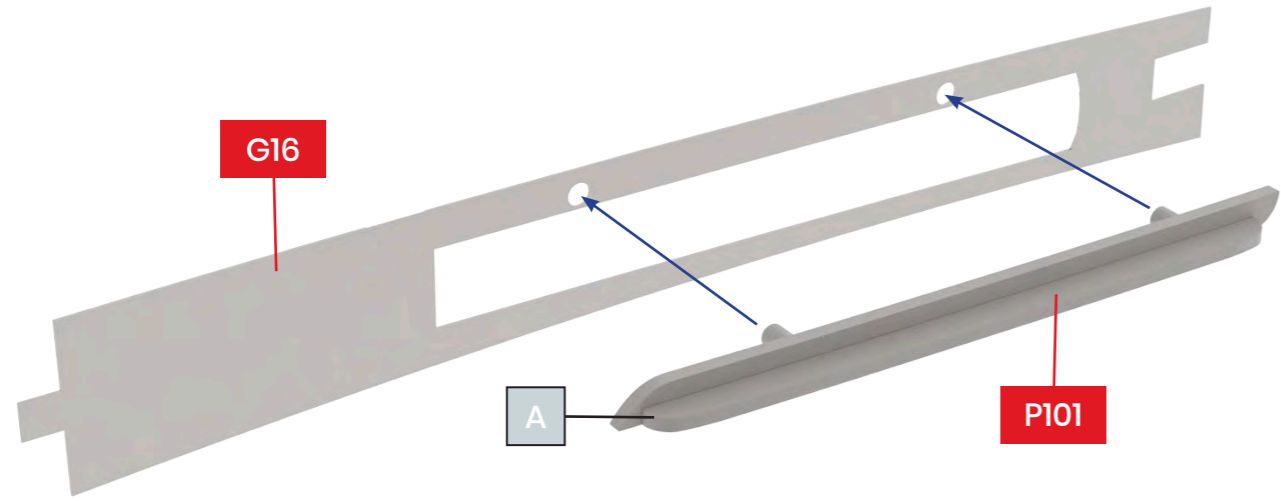


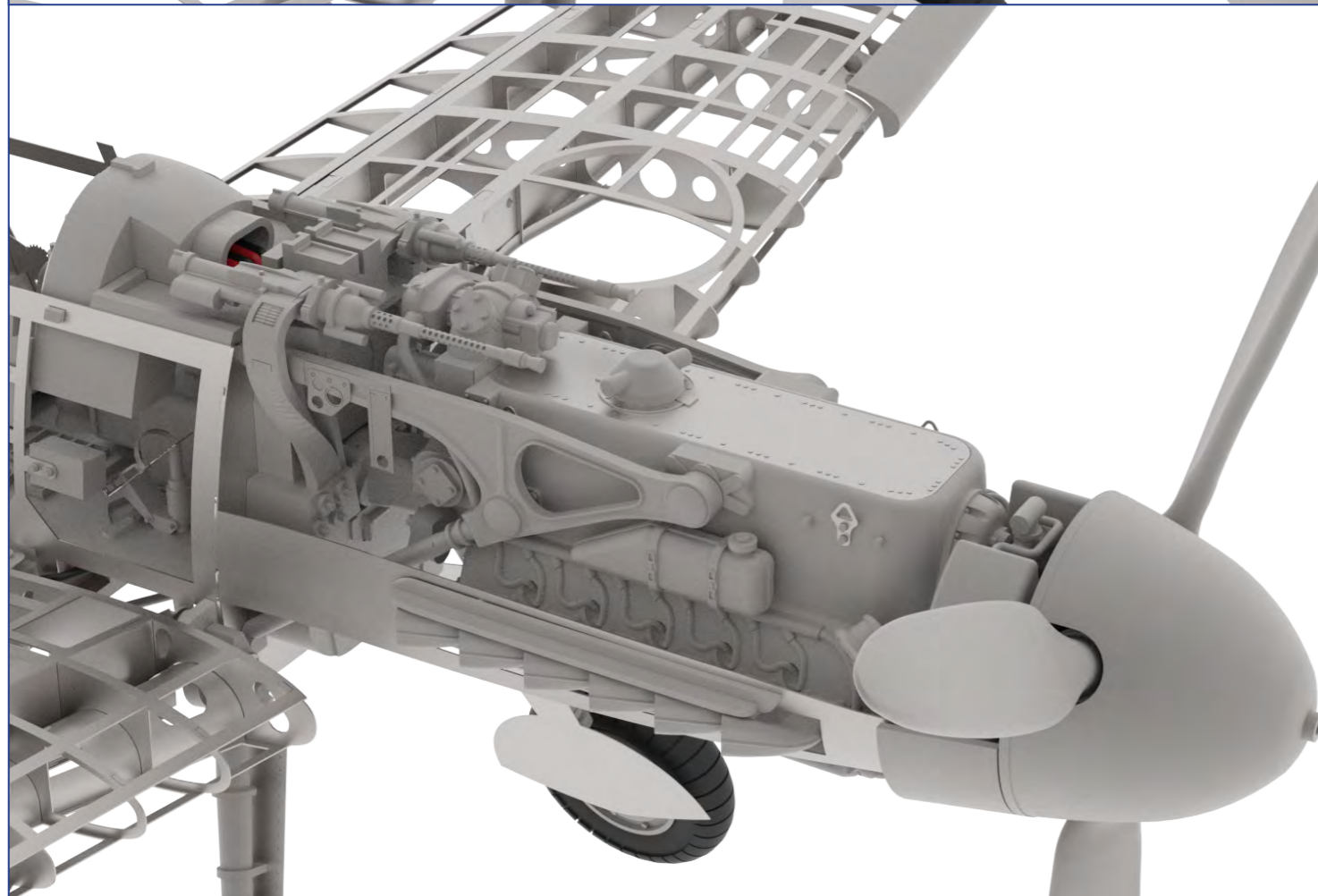
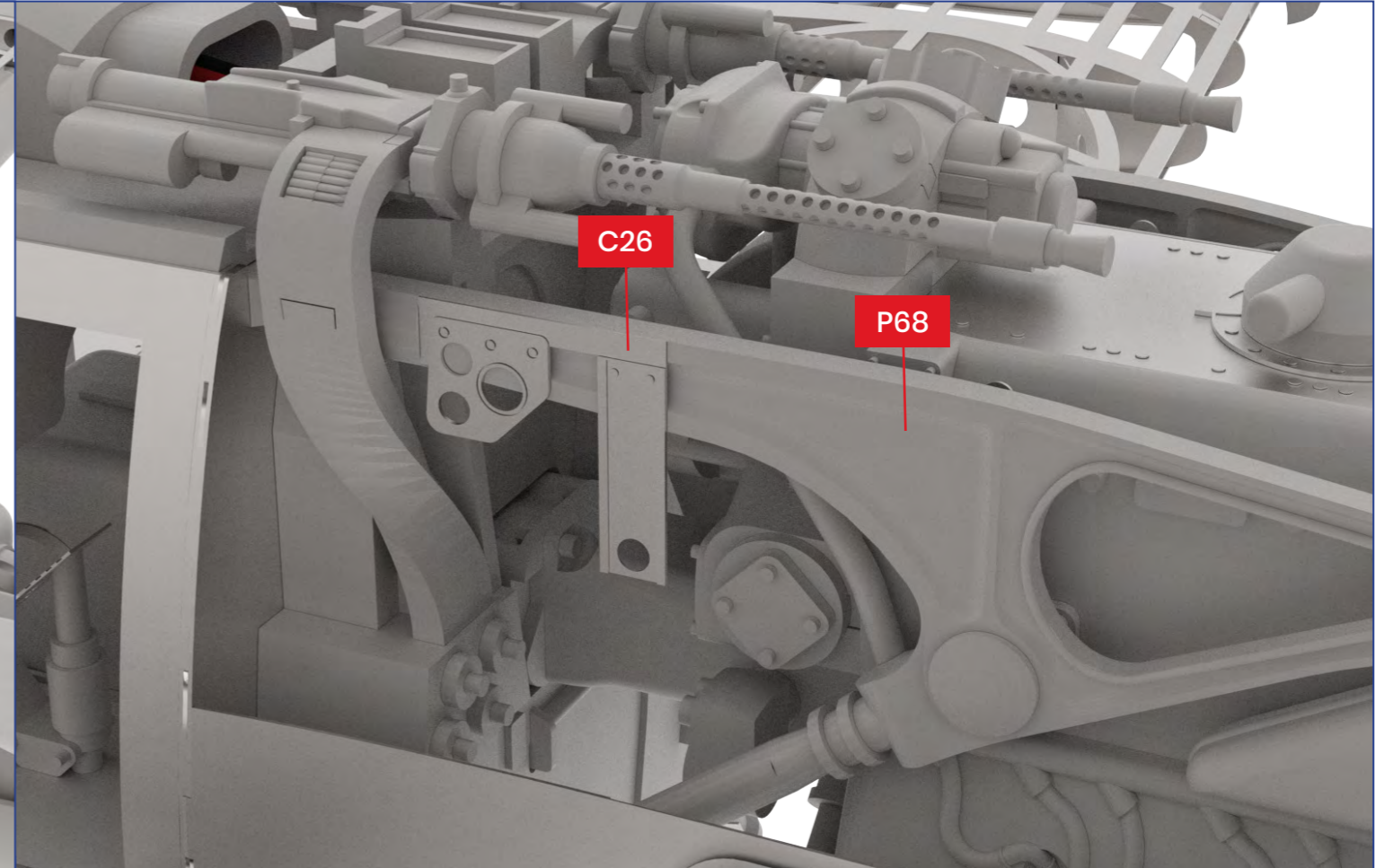
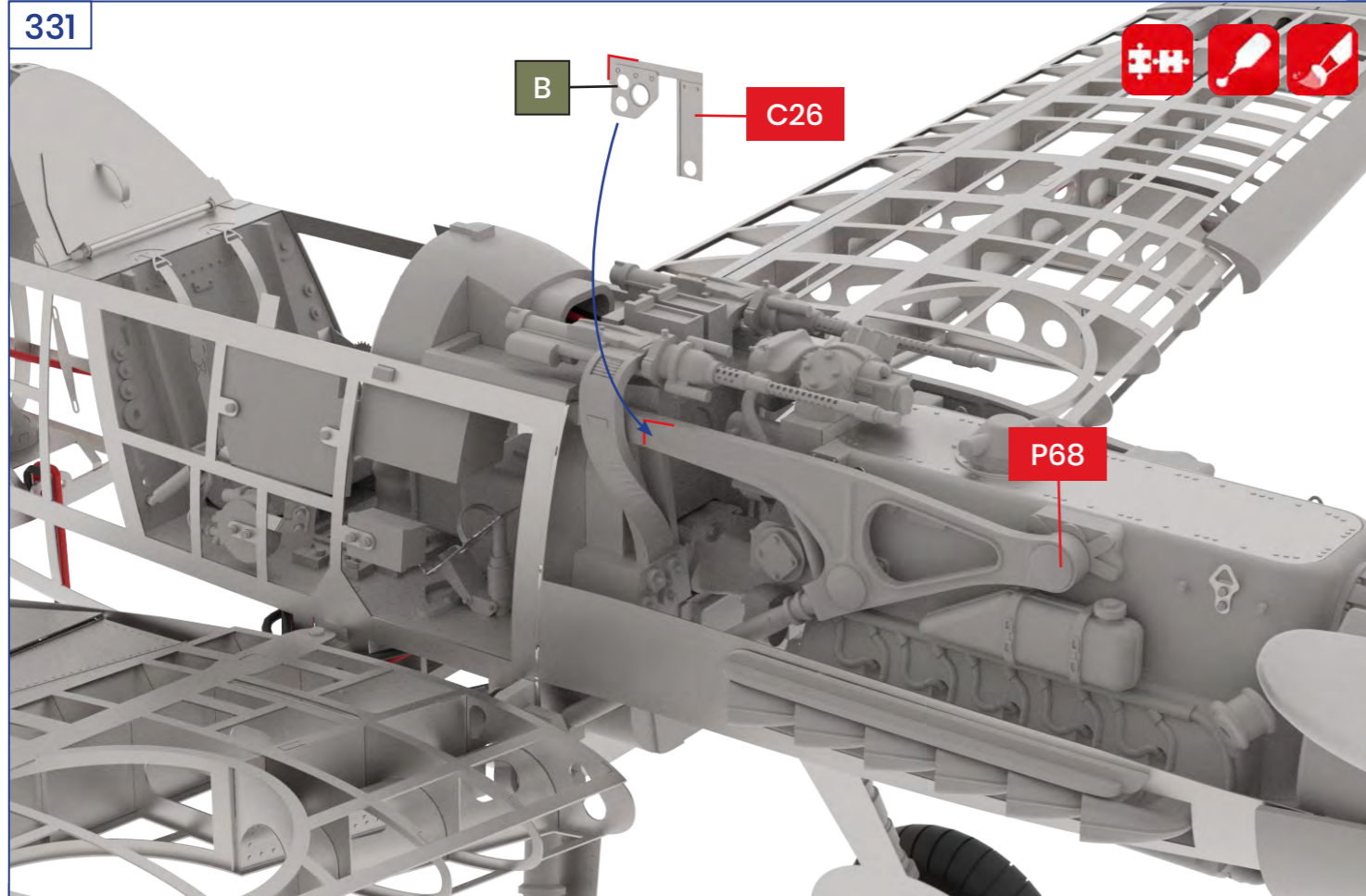
P102

G15

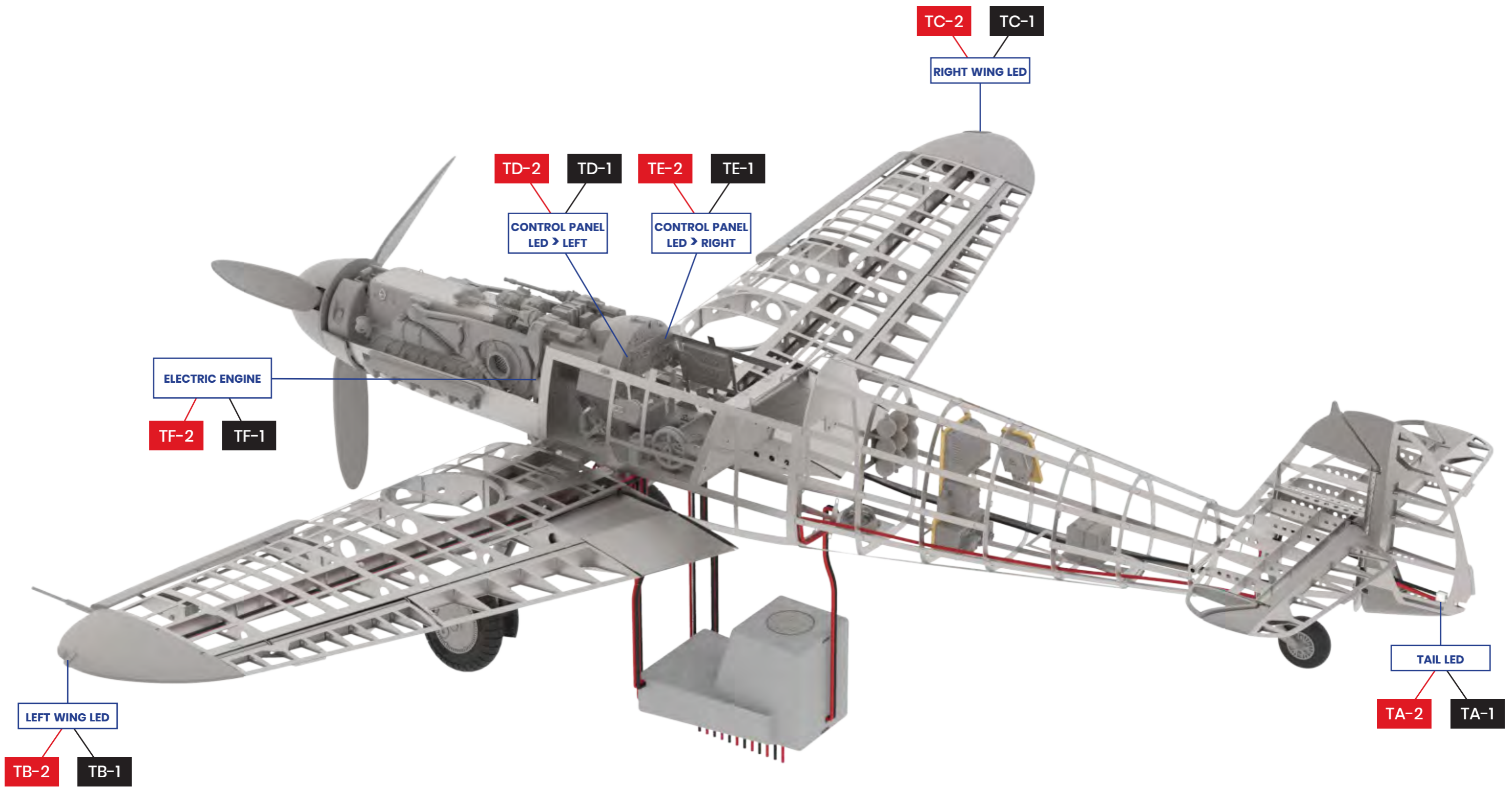


330

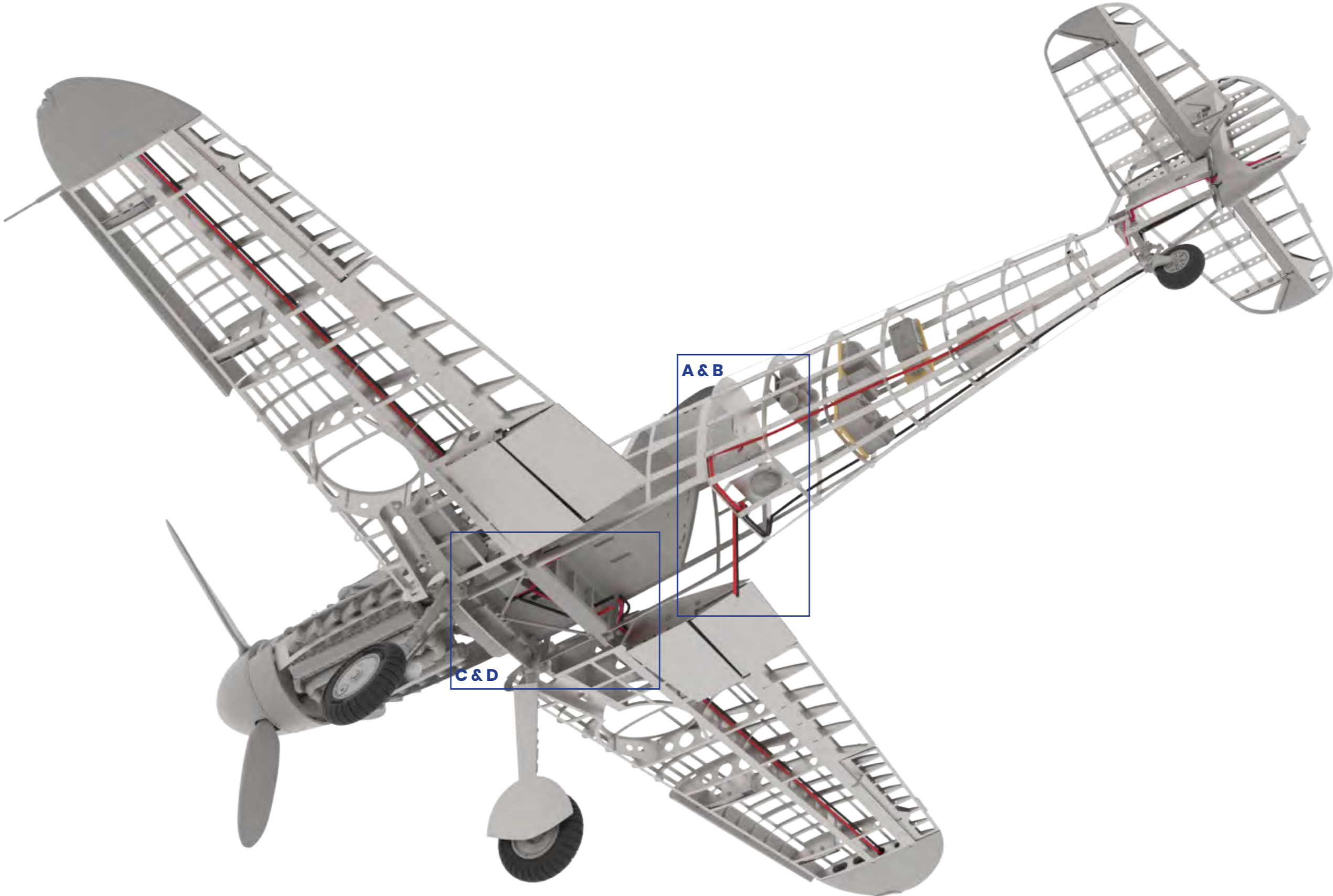


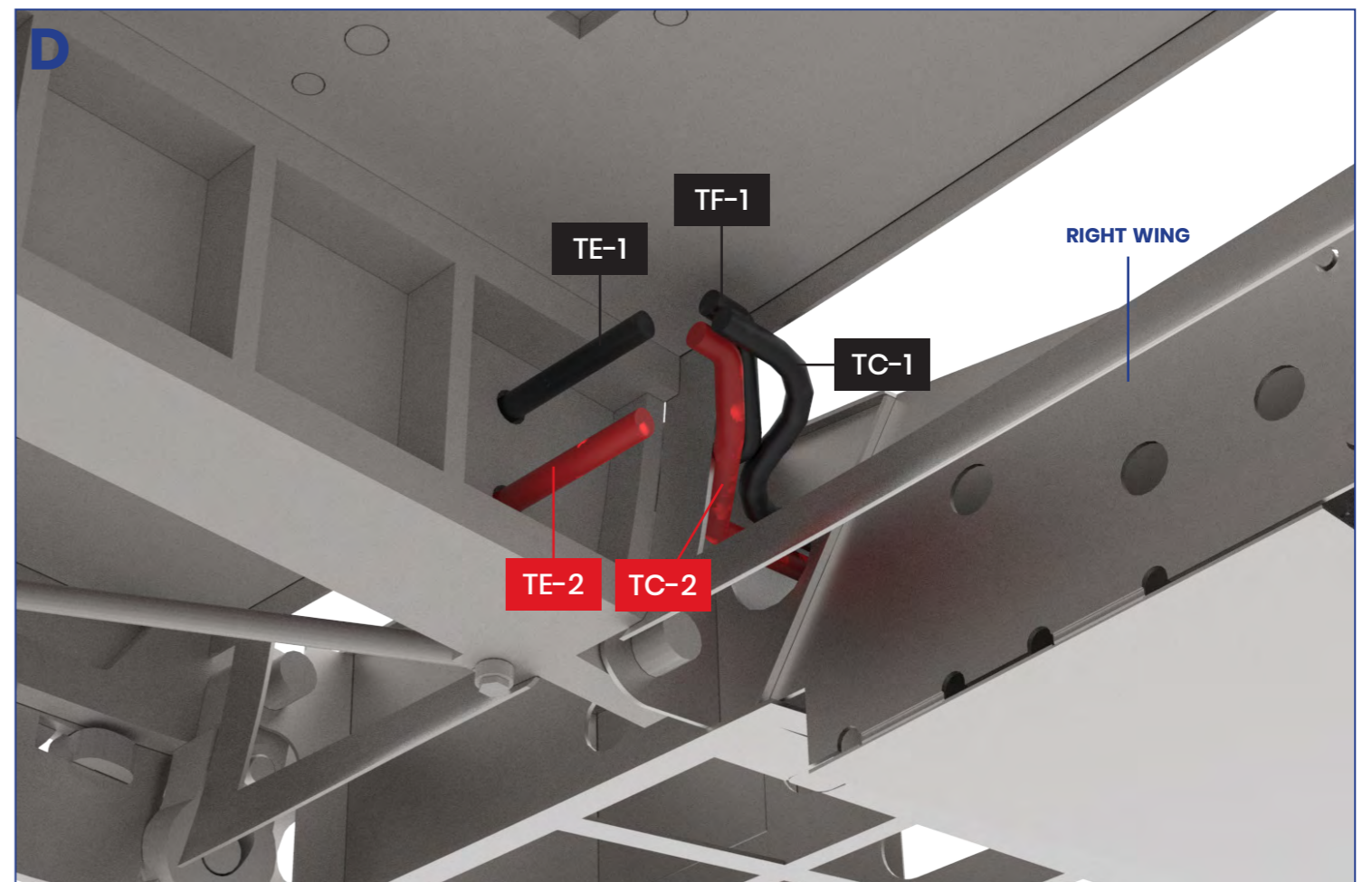
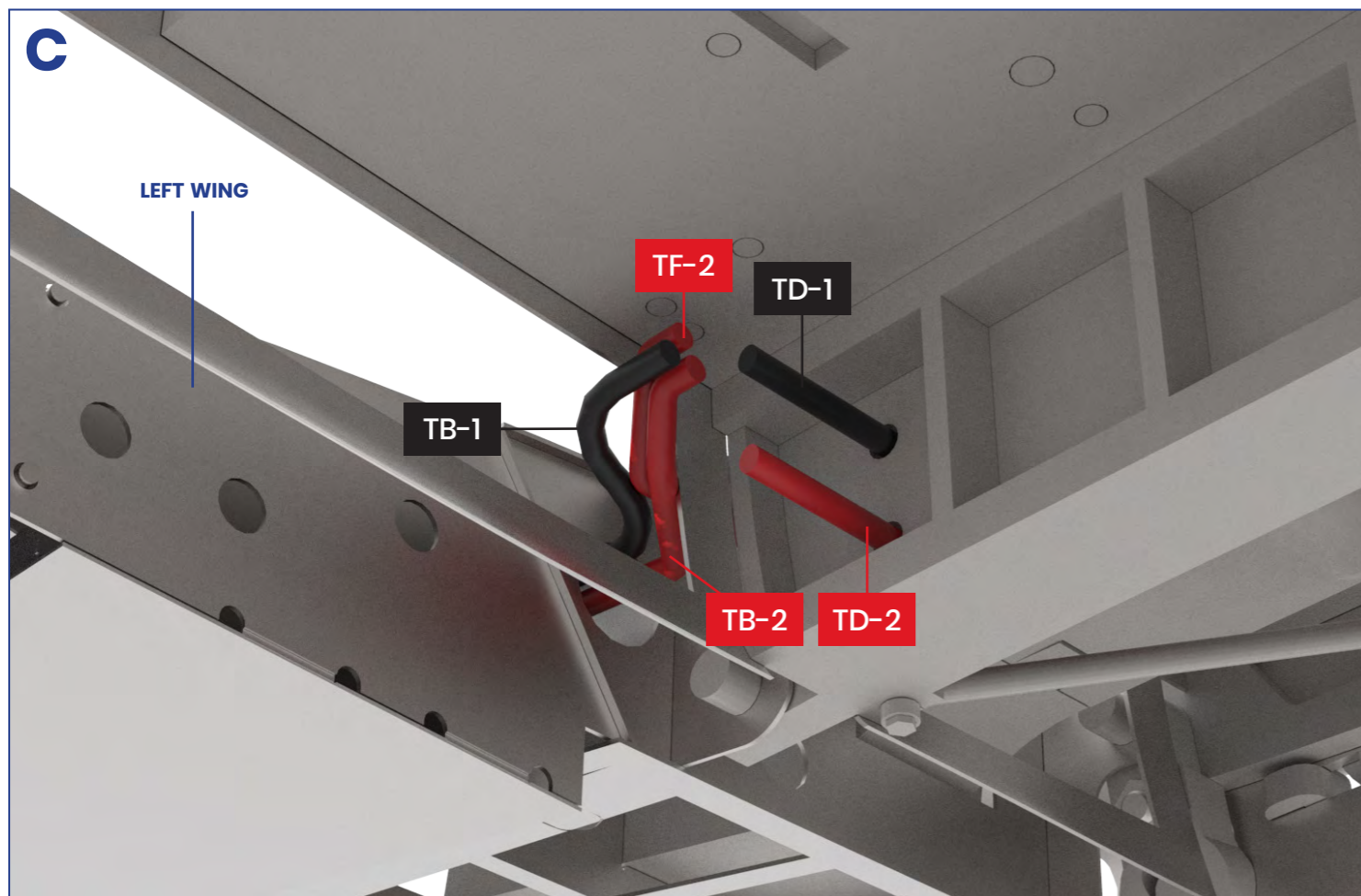
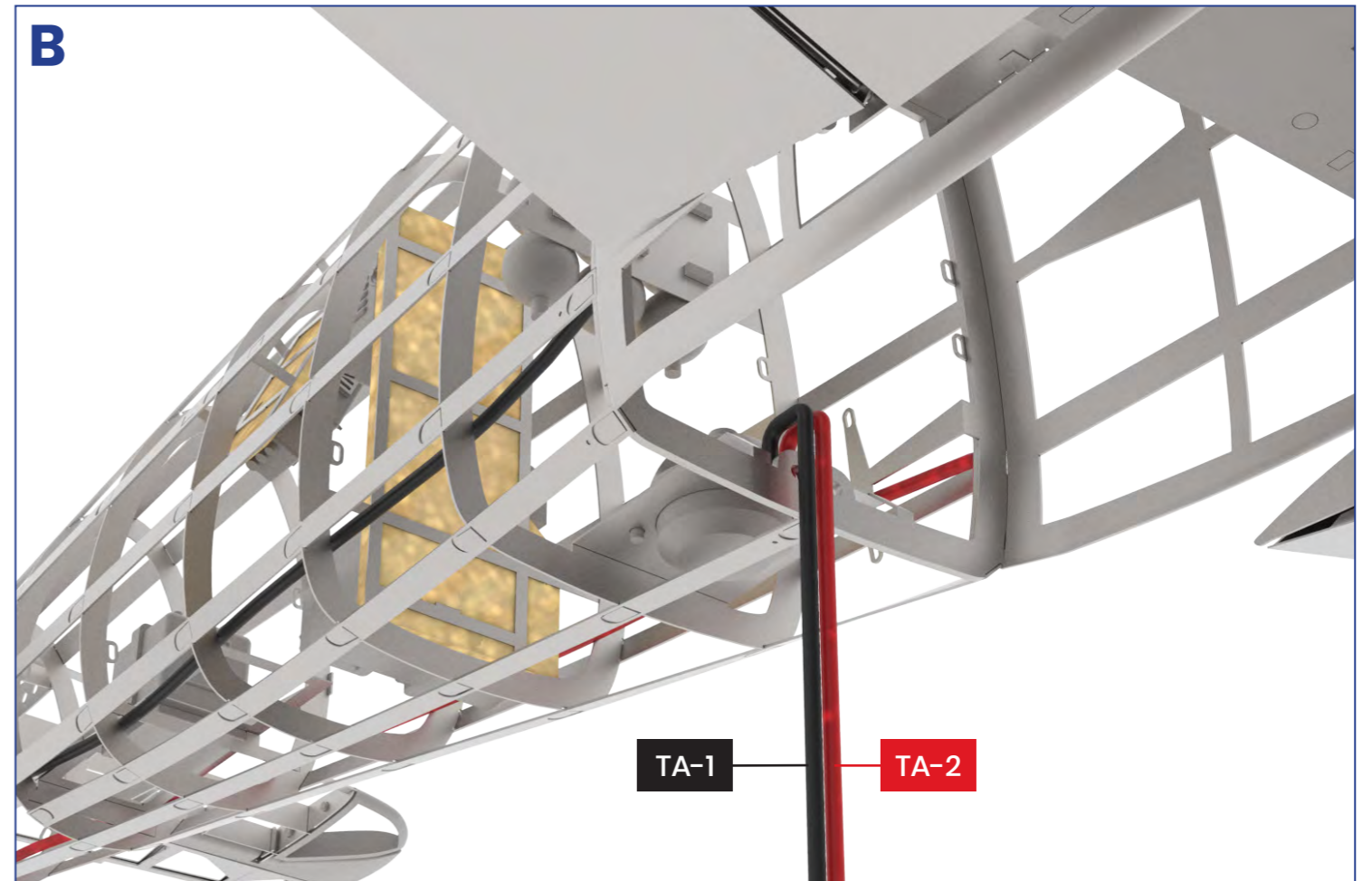
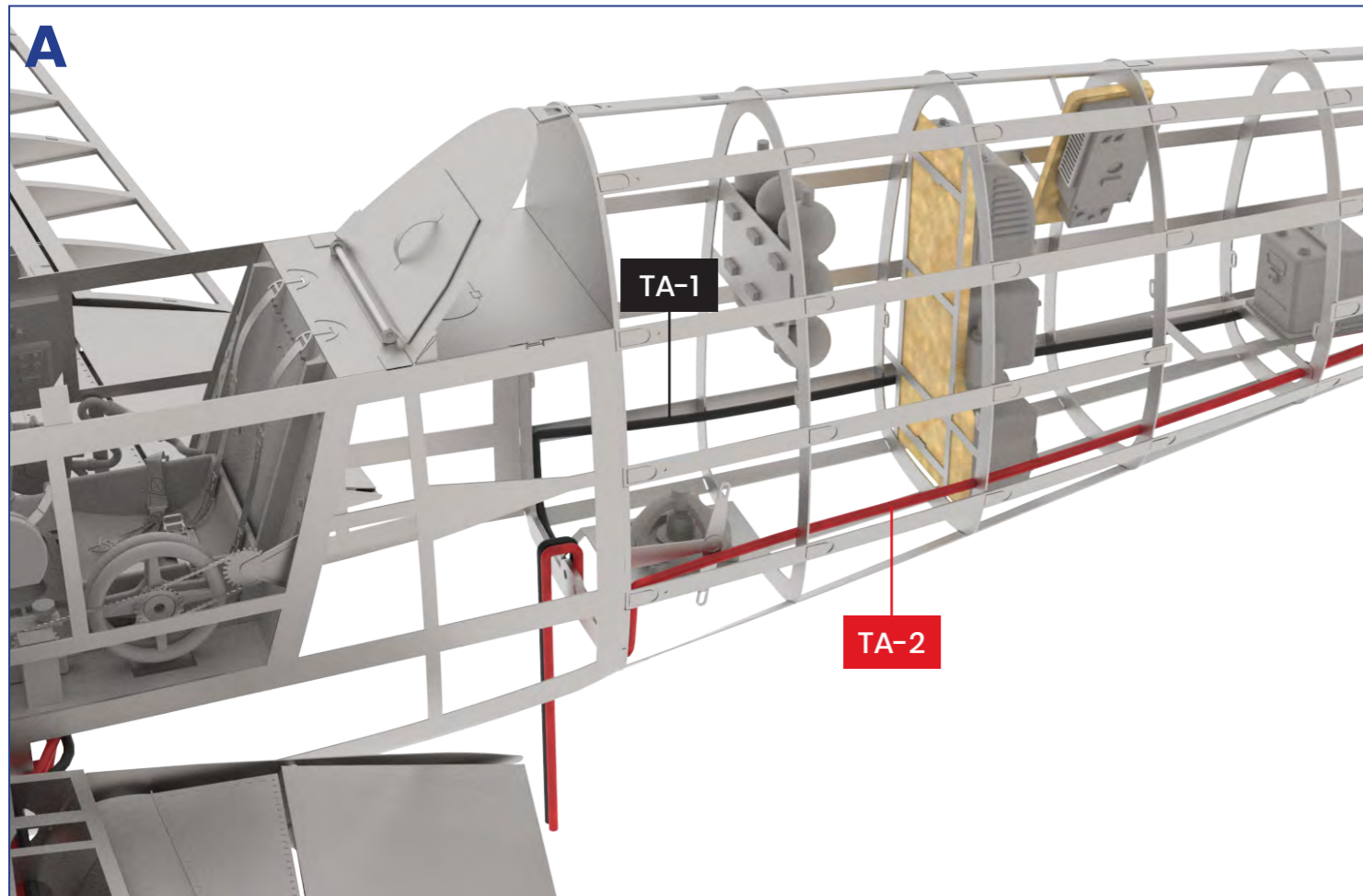


333

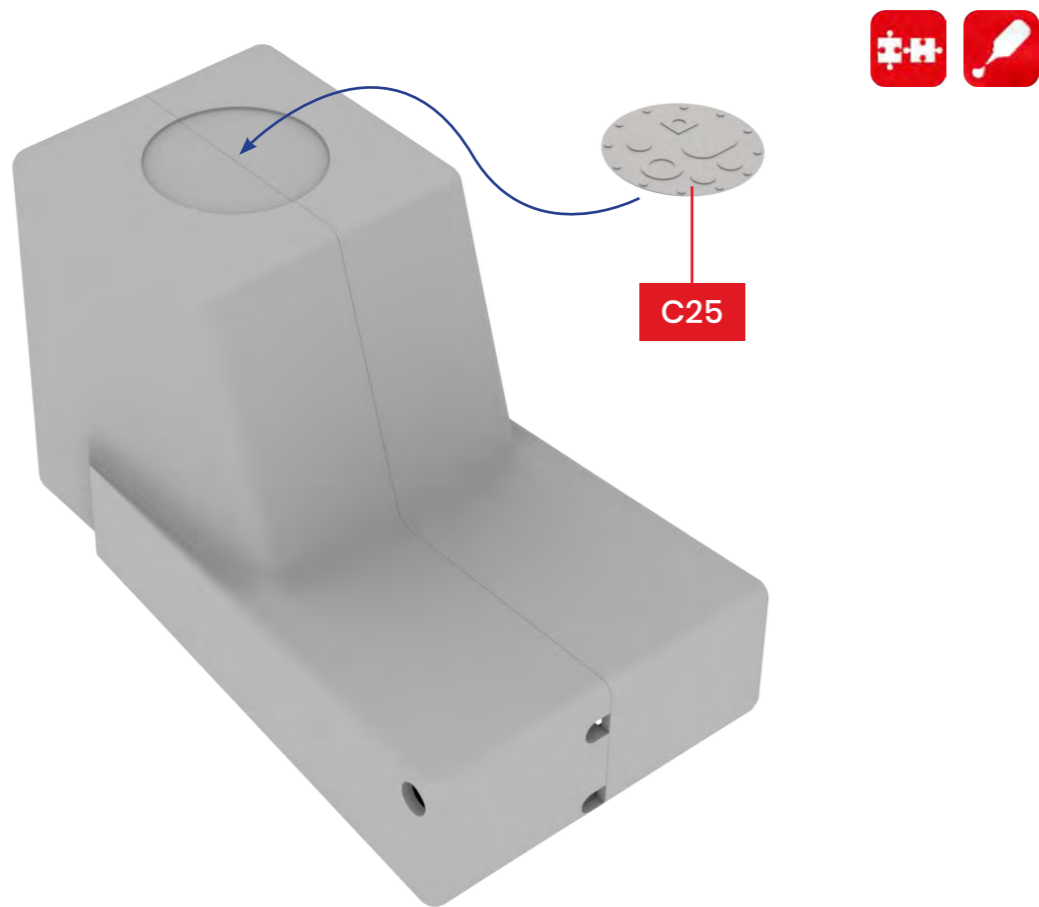
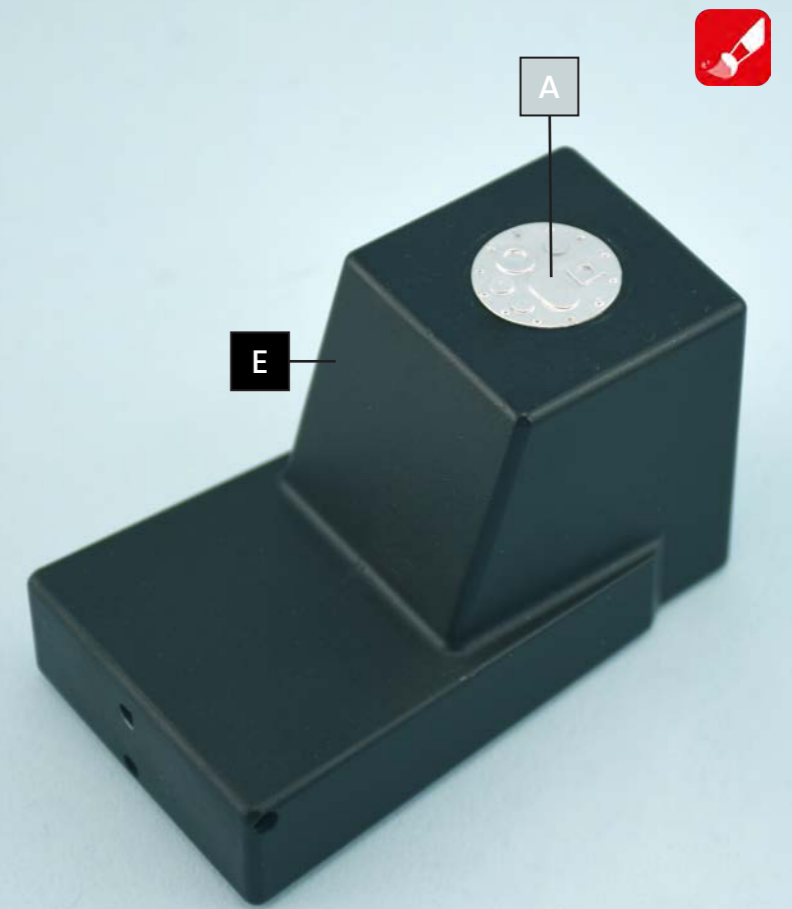
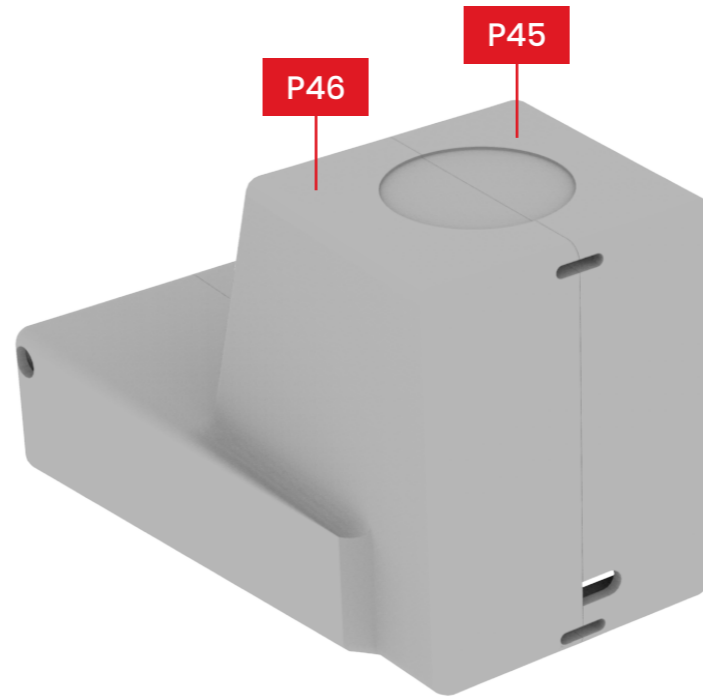
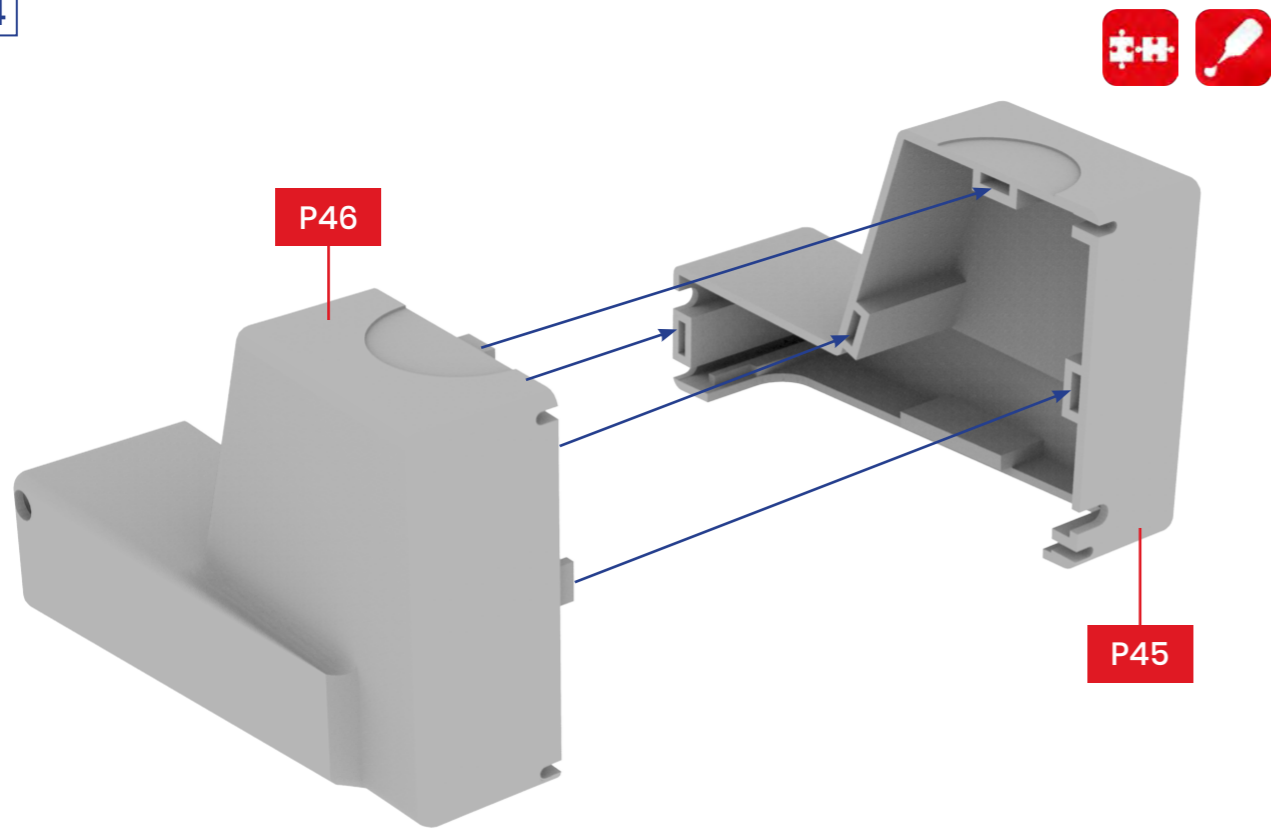


333

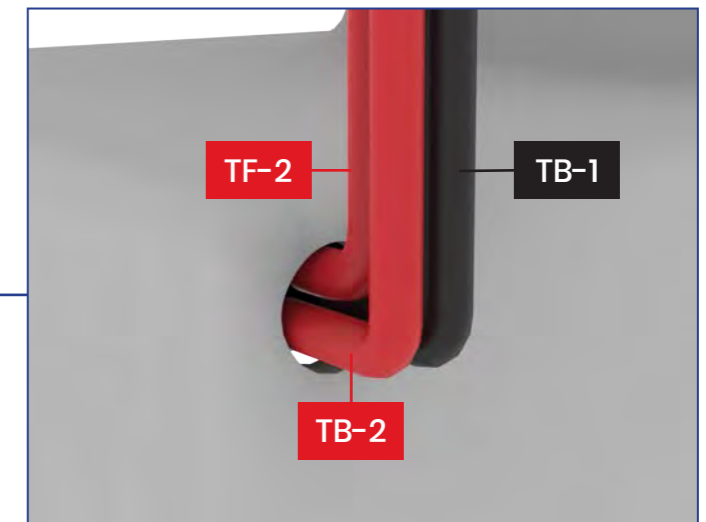
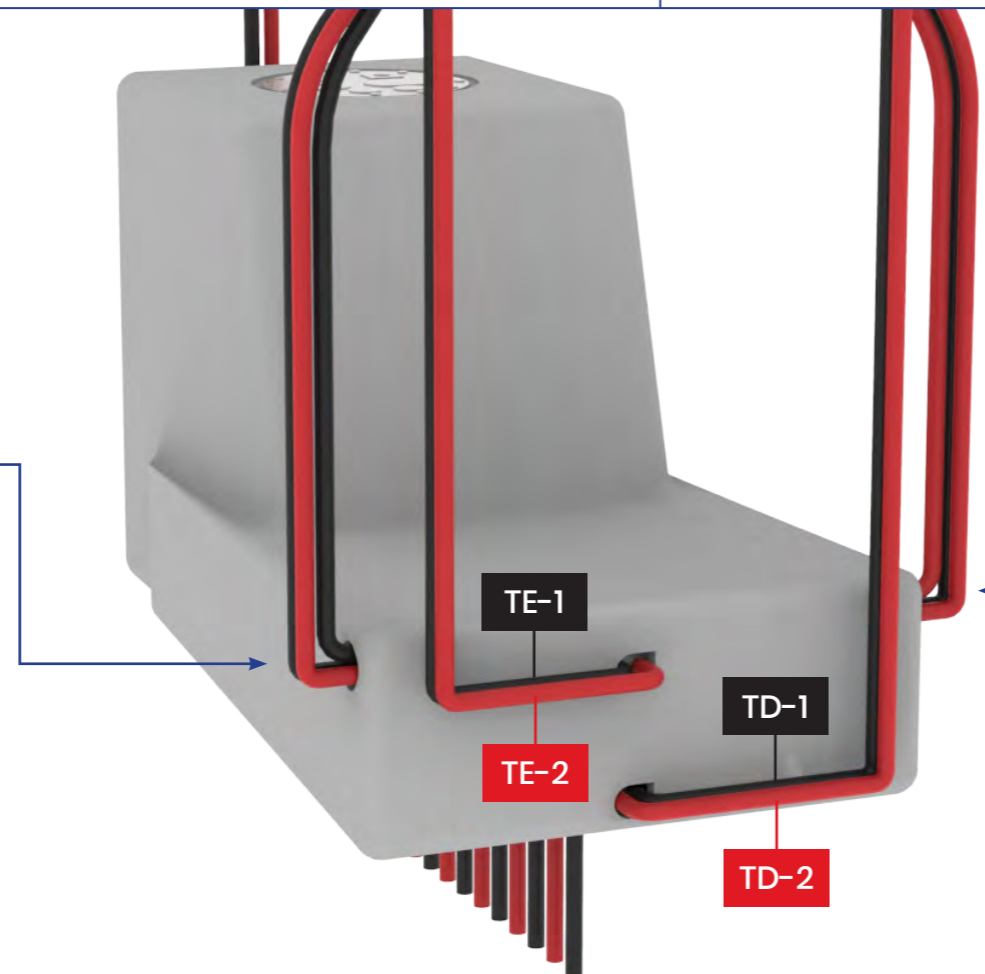
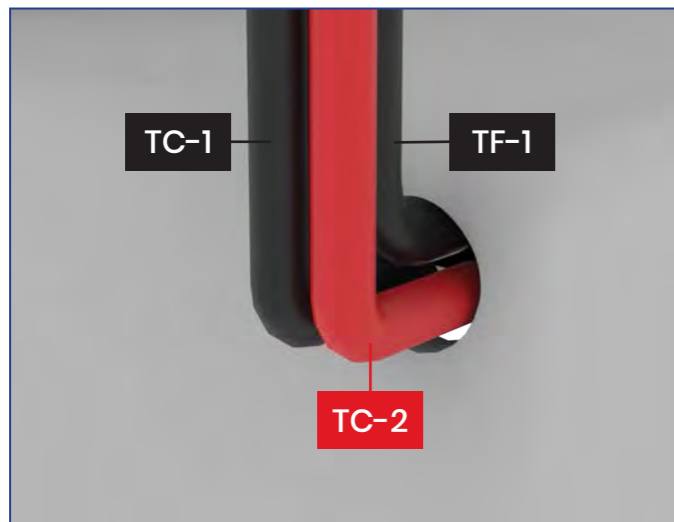
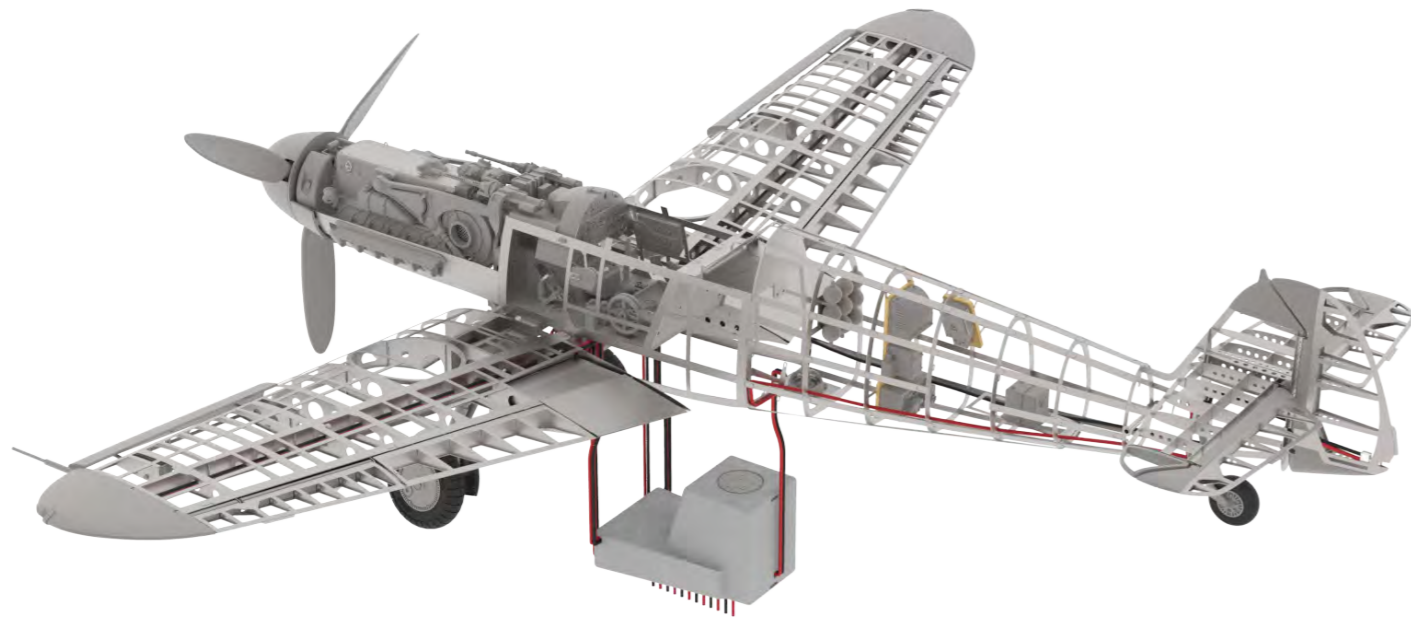




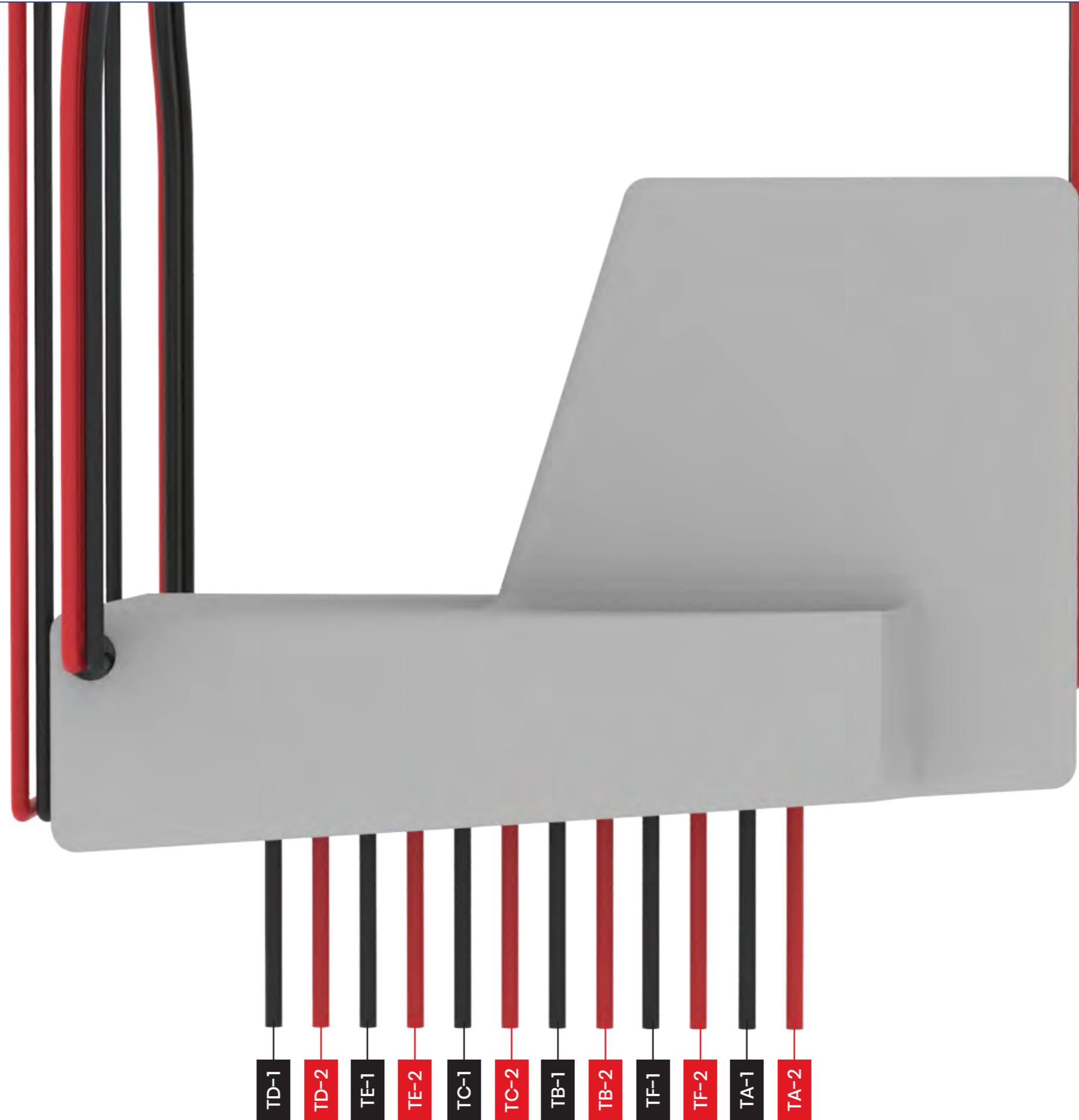
334



334



335



TD-1

TD-2

TE-1

TE-2

TC-1

TC-2

TB-1

TB-2

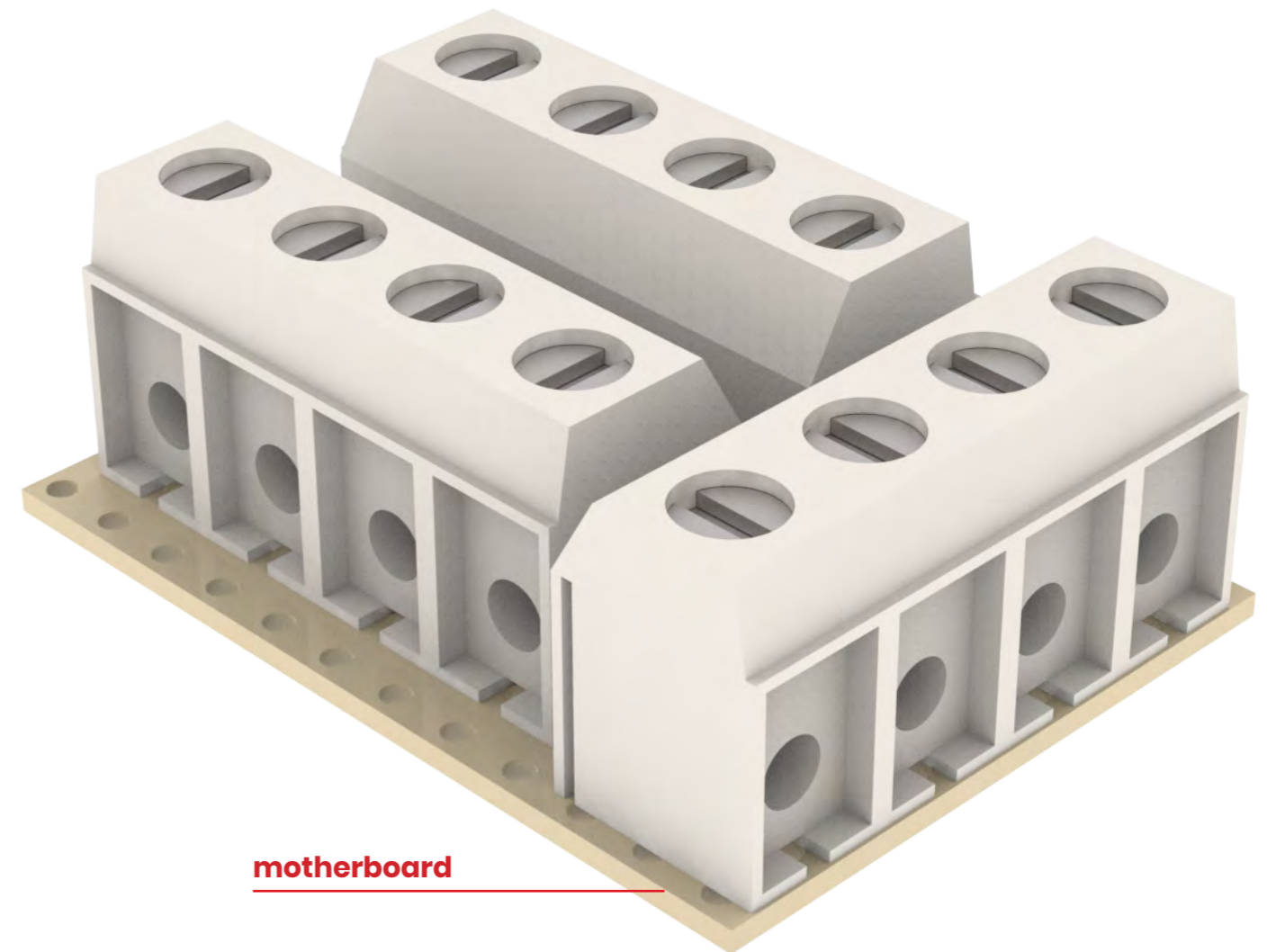
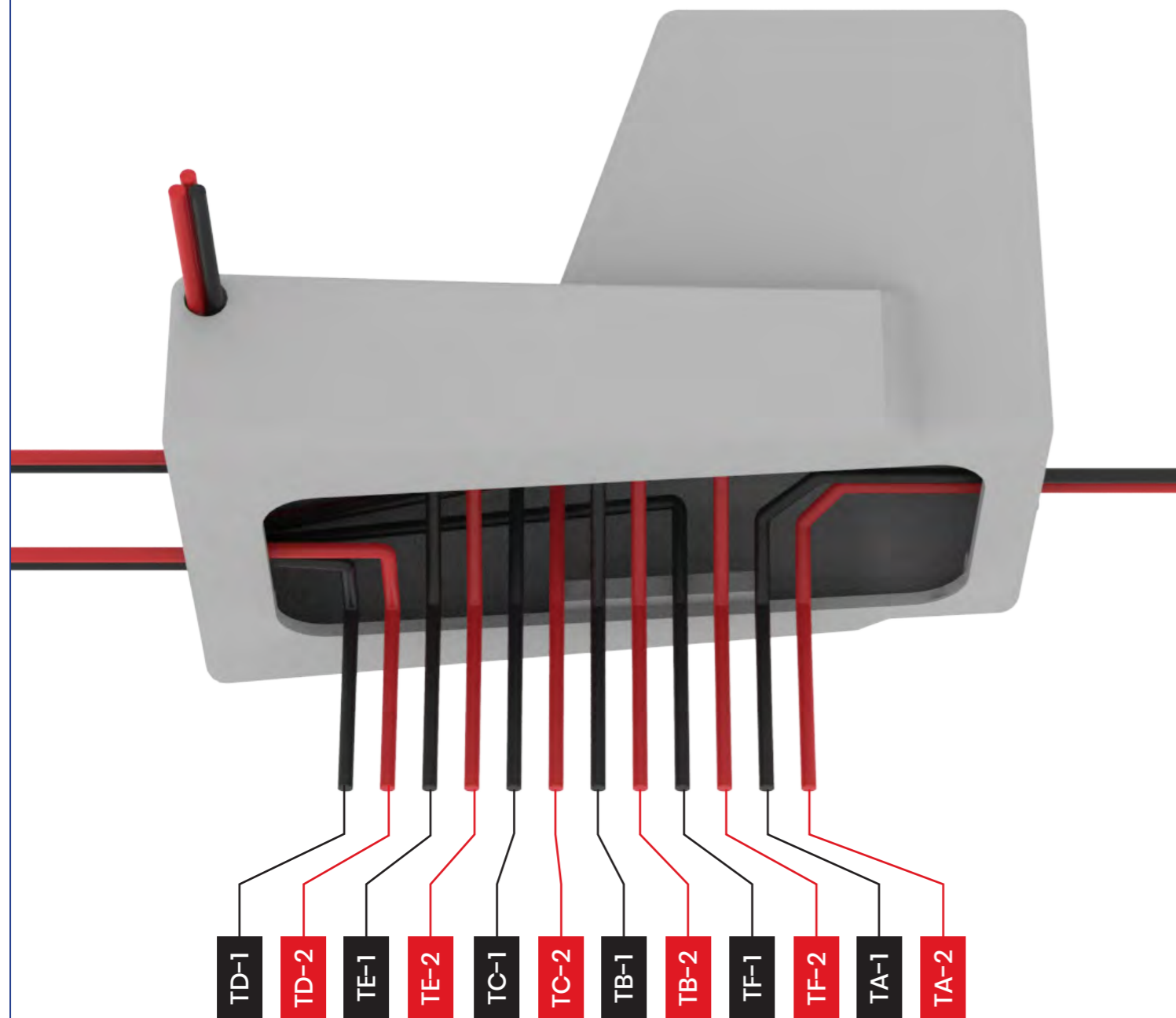
TF-1

TF-2

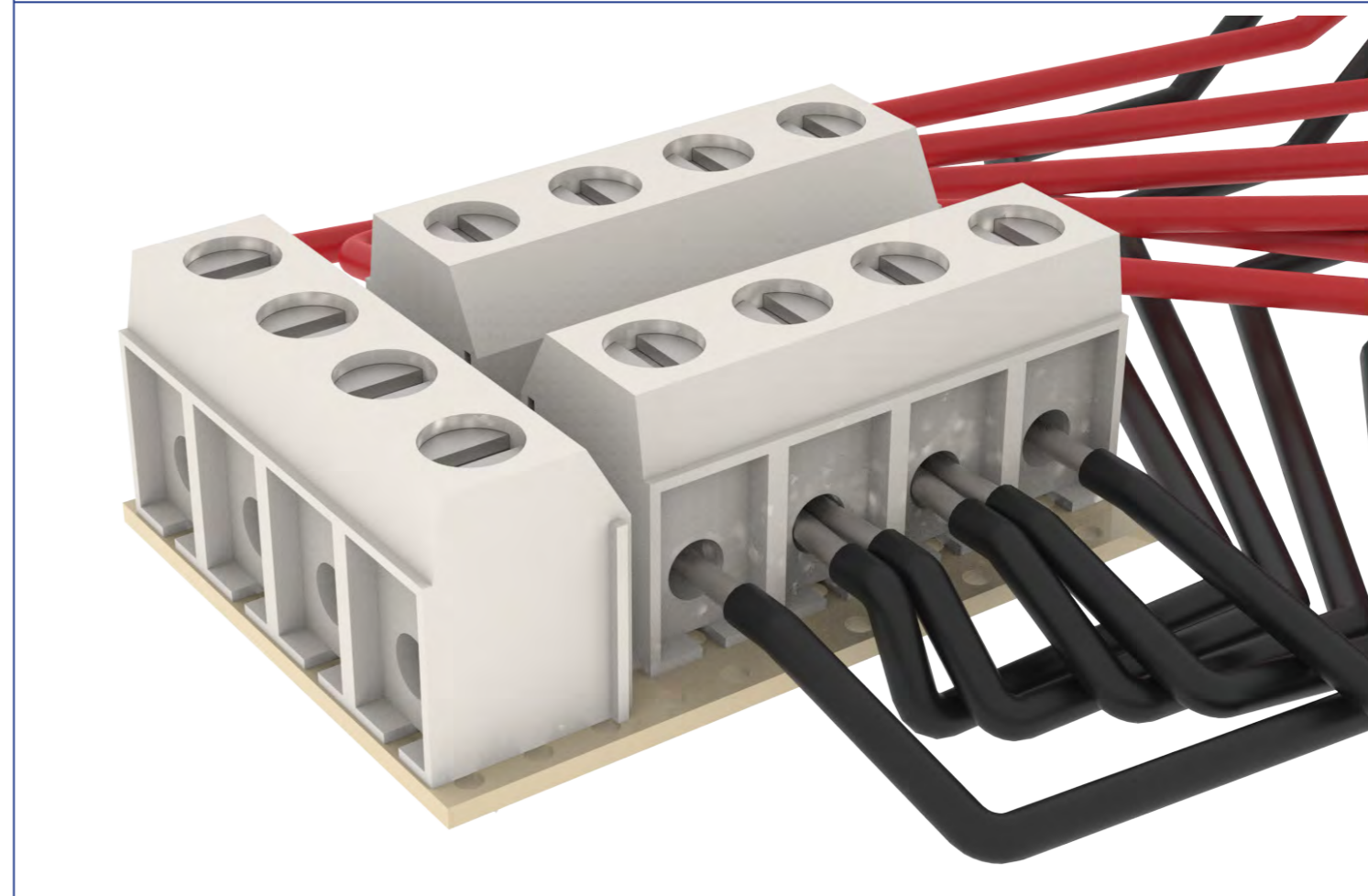
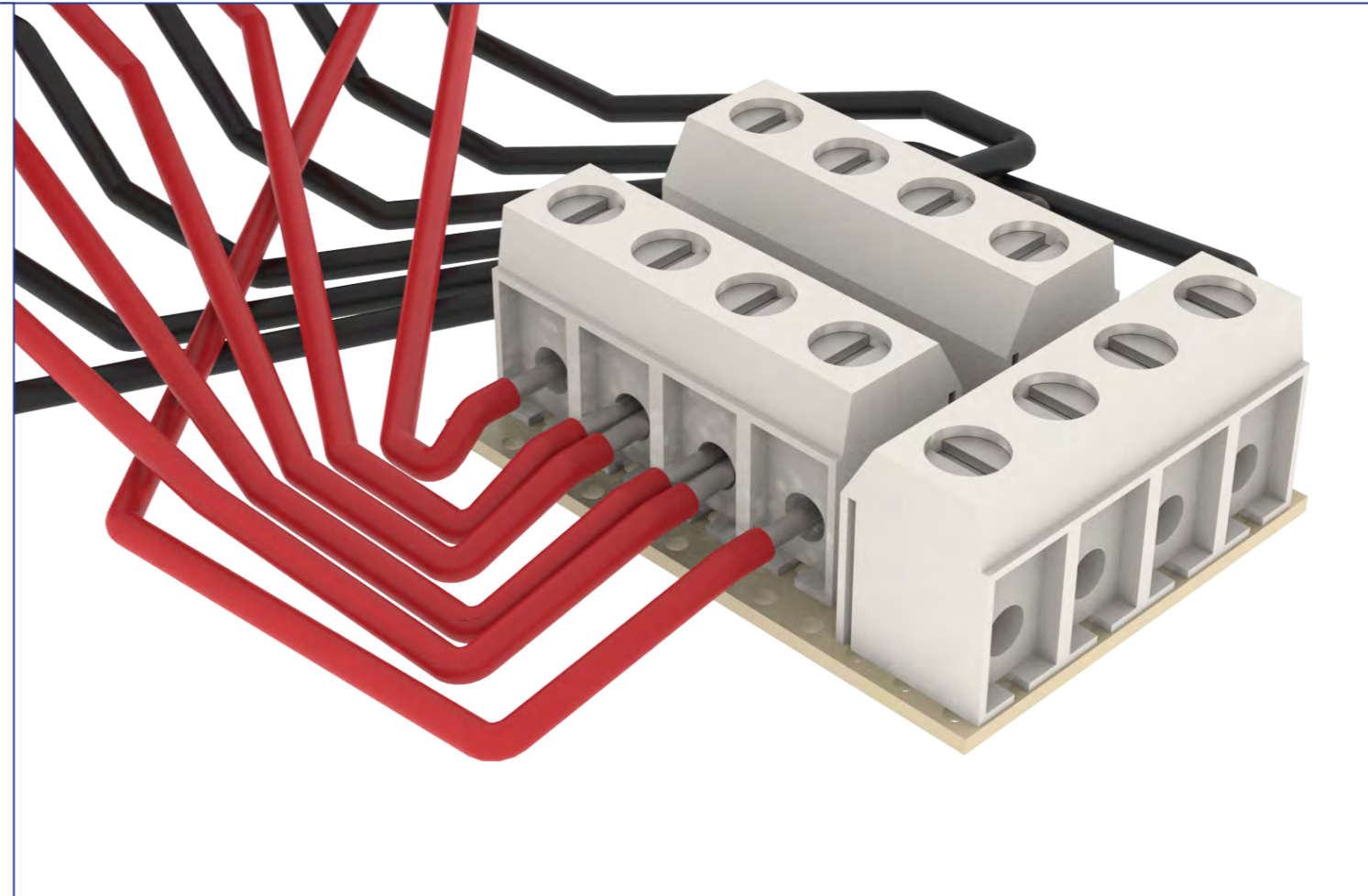
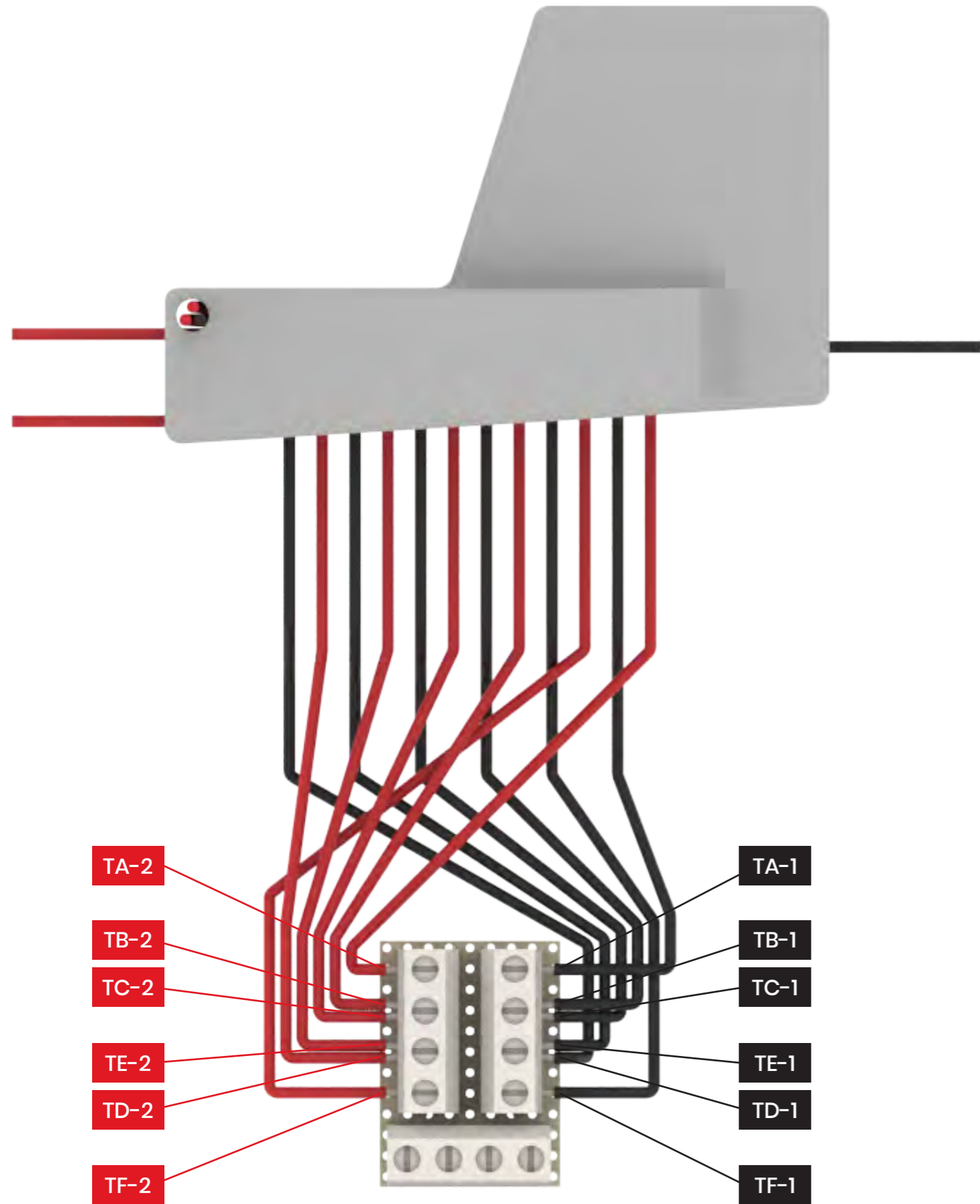
TA-1

TA-2

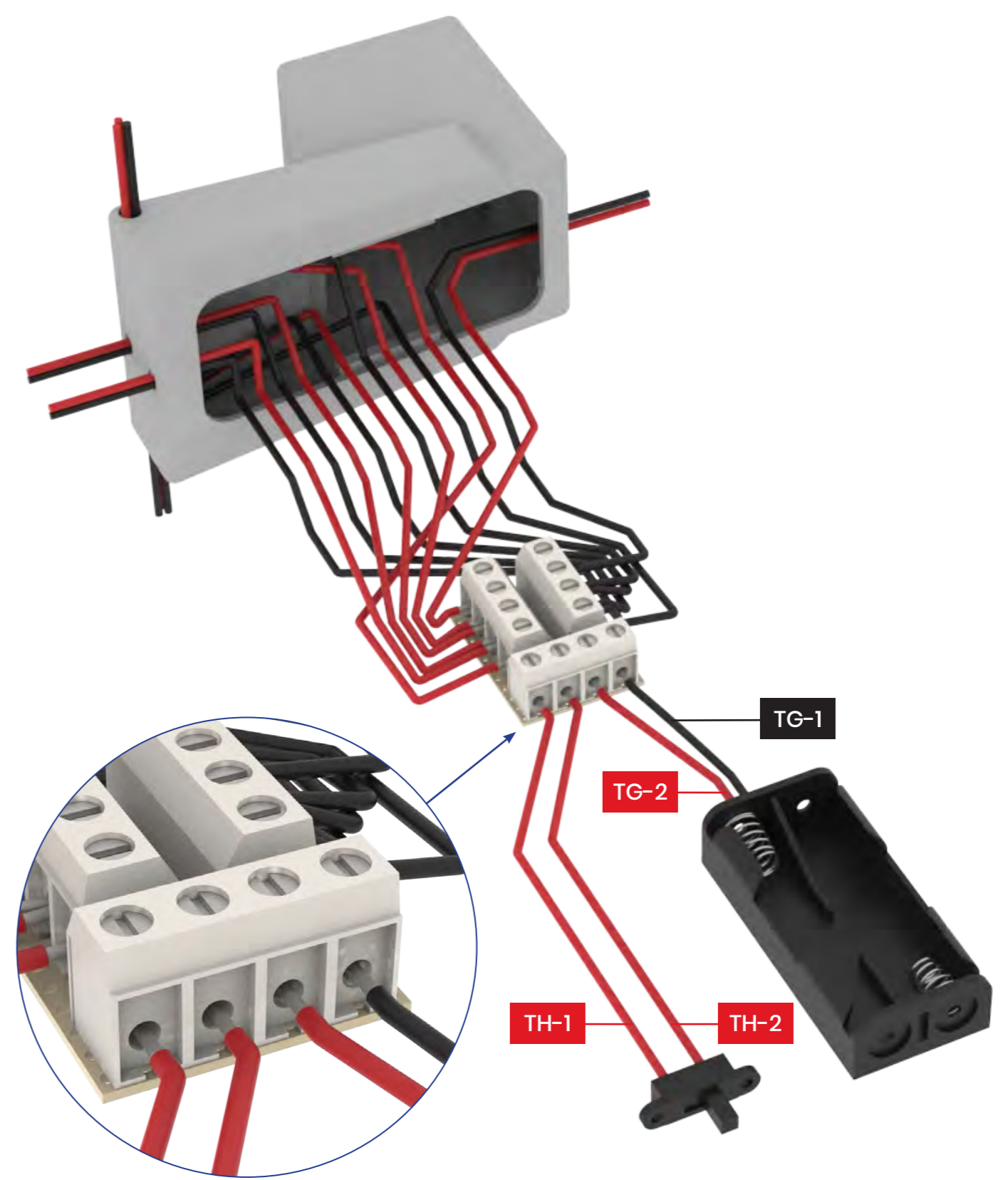
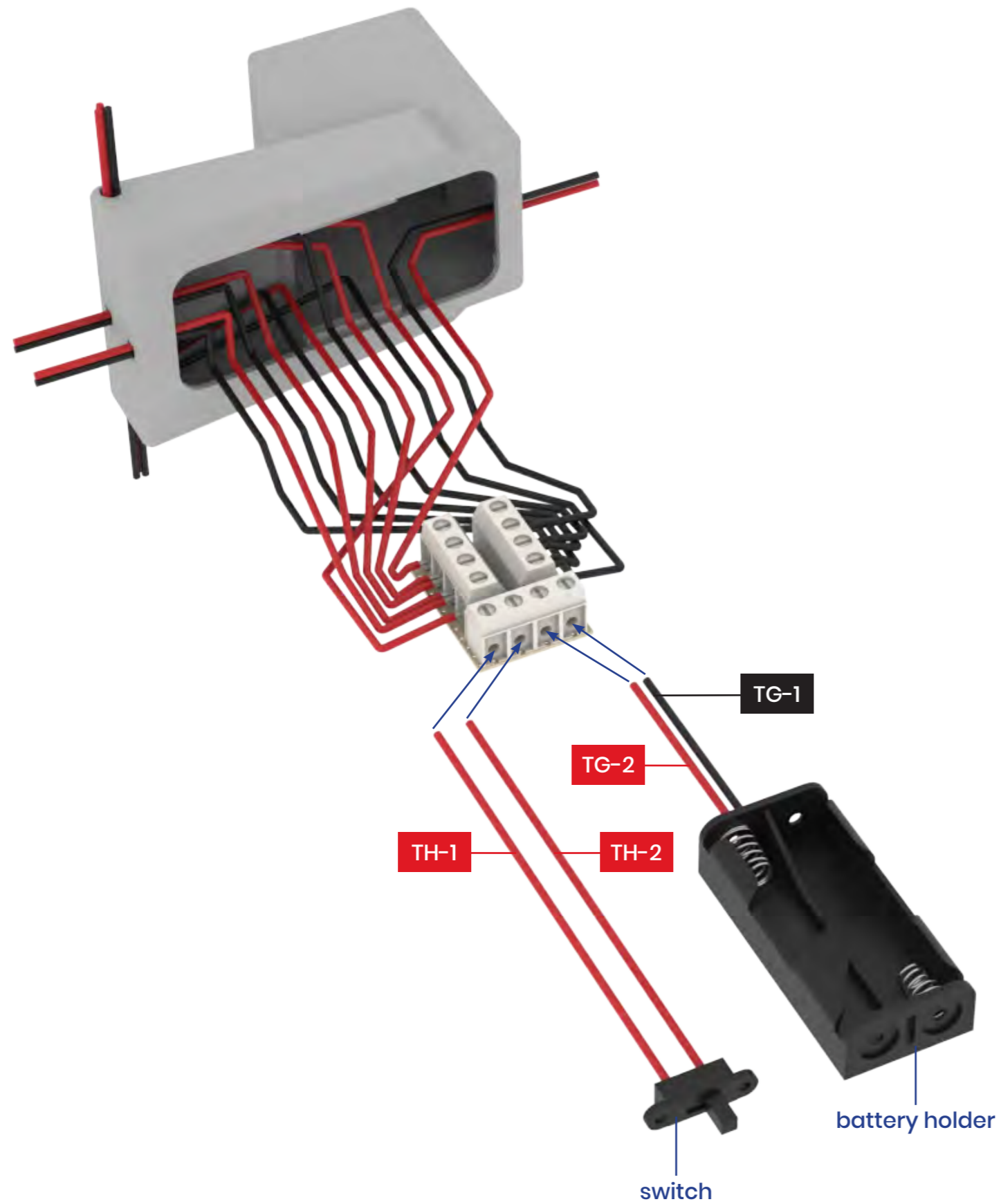
336



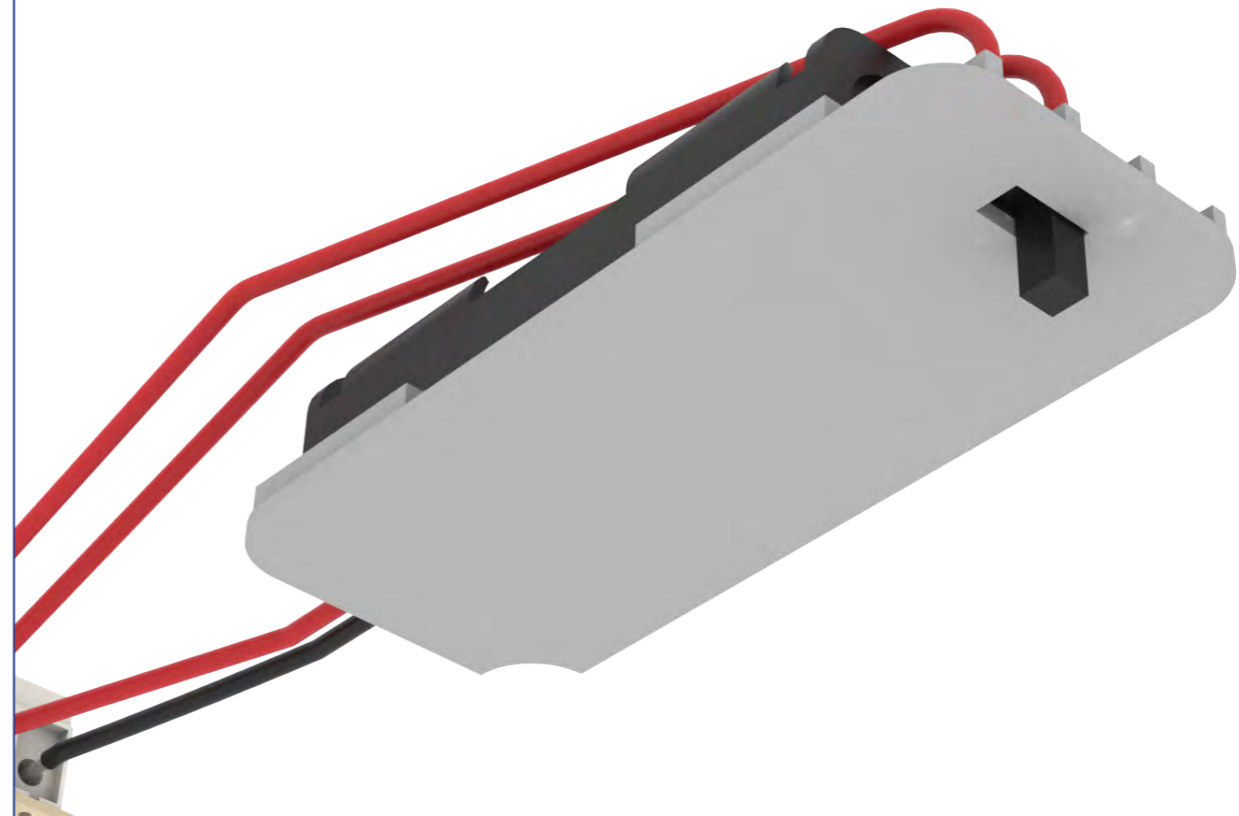
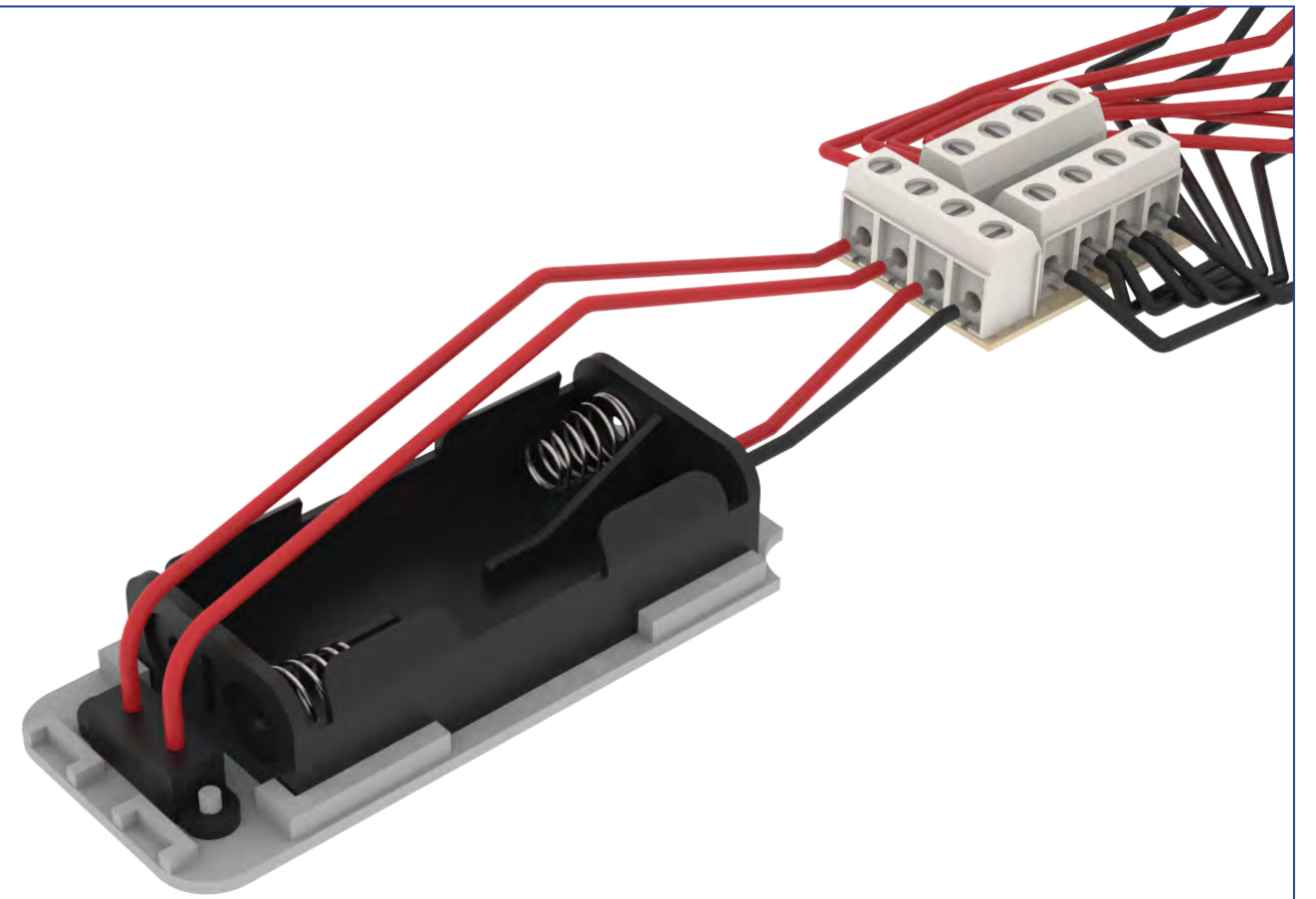
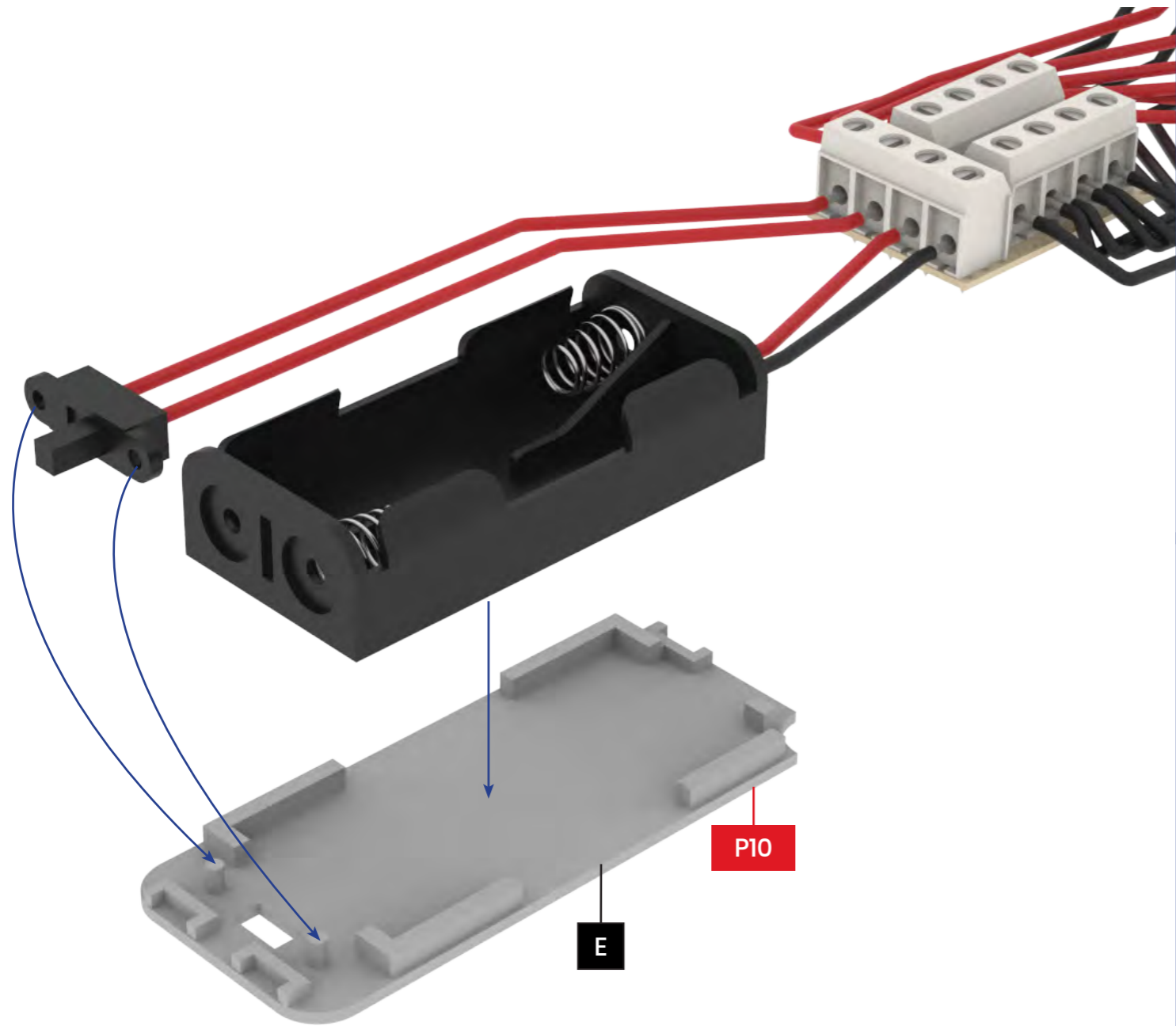
337



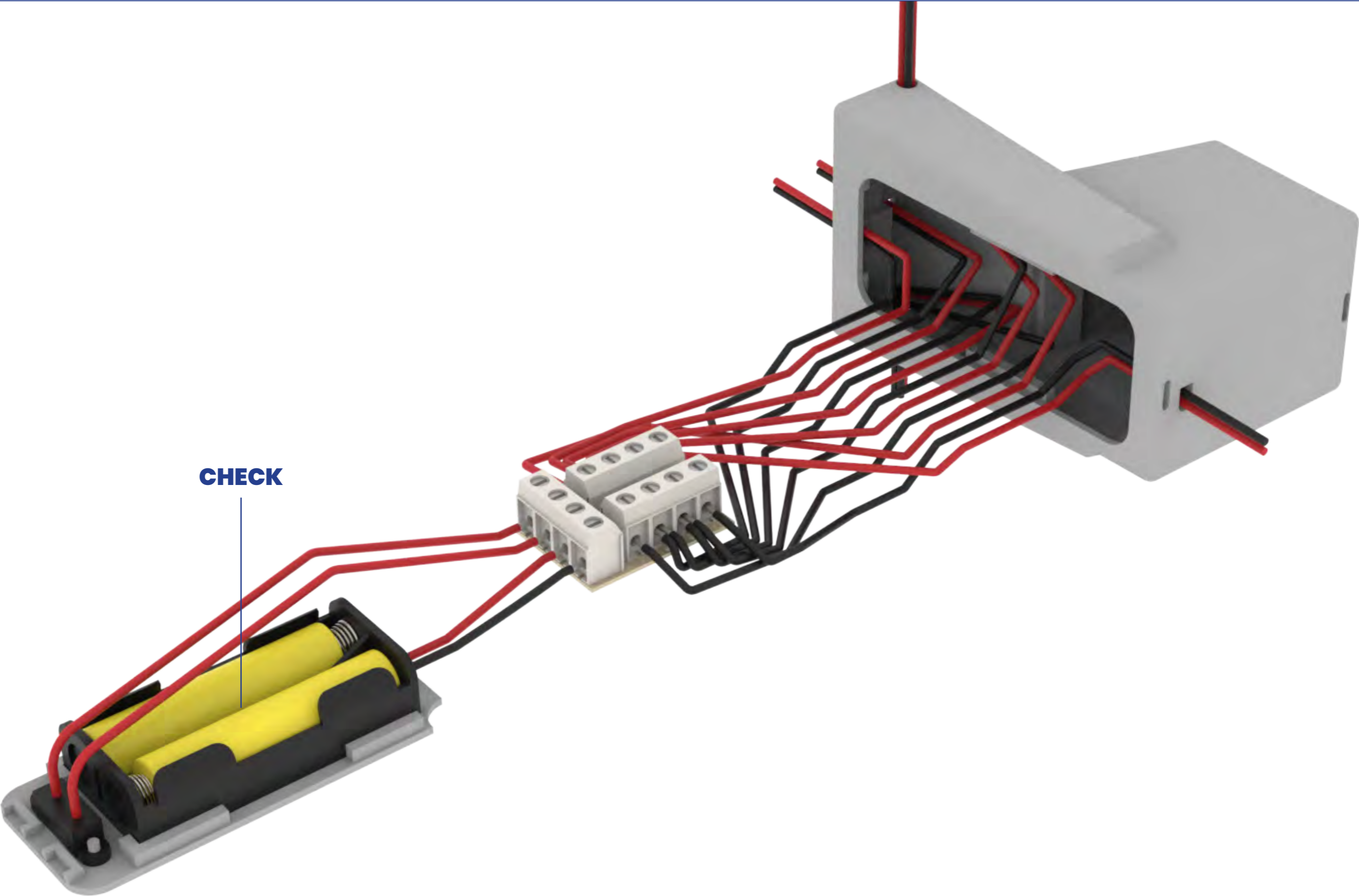
337



338

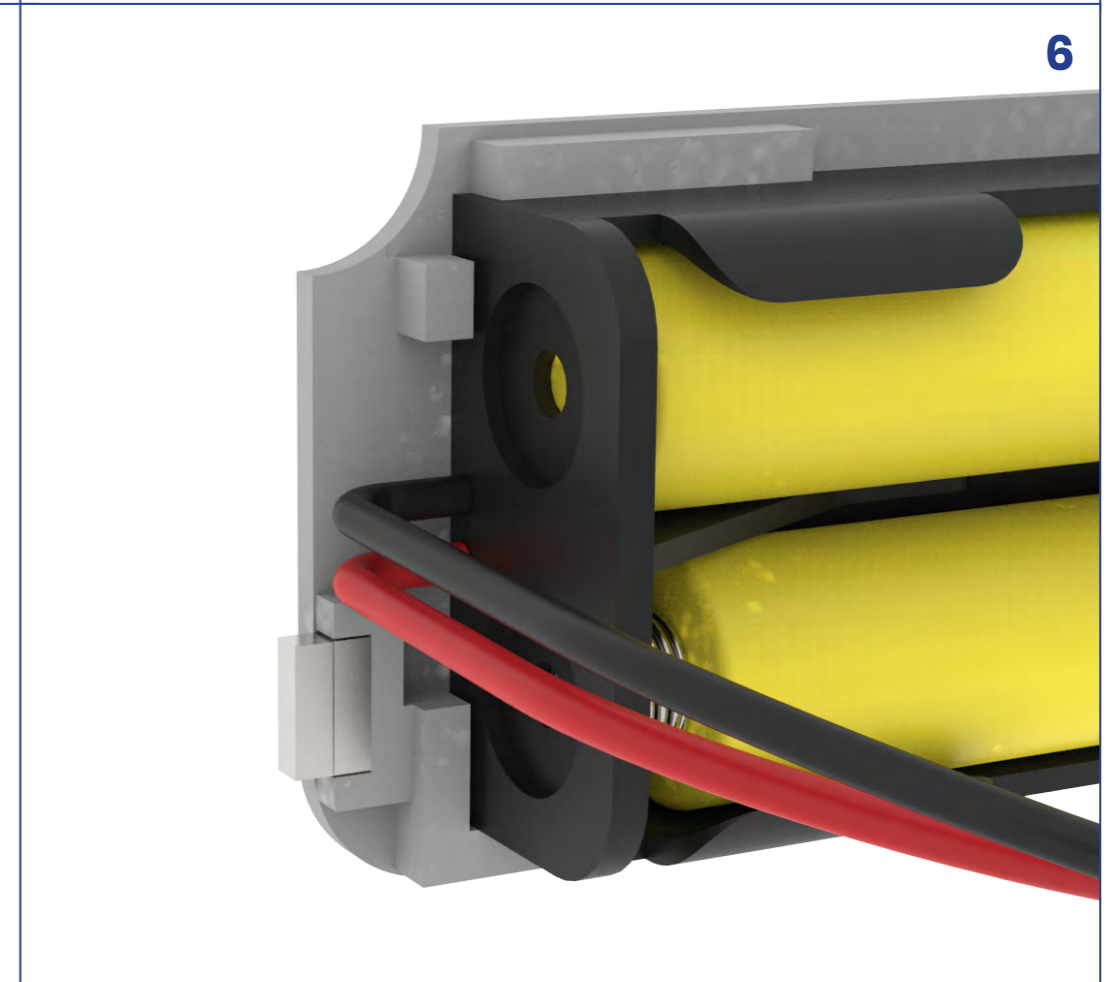
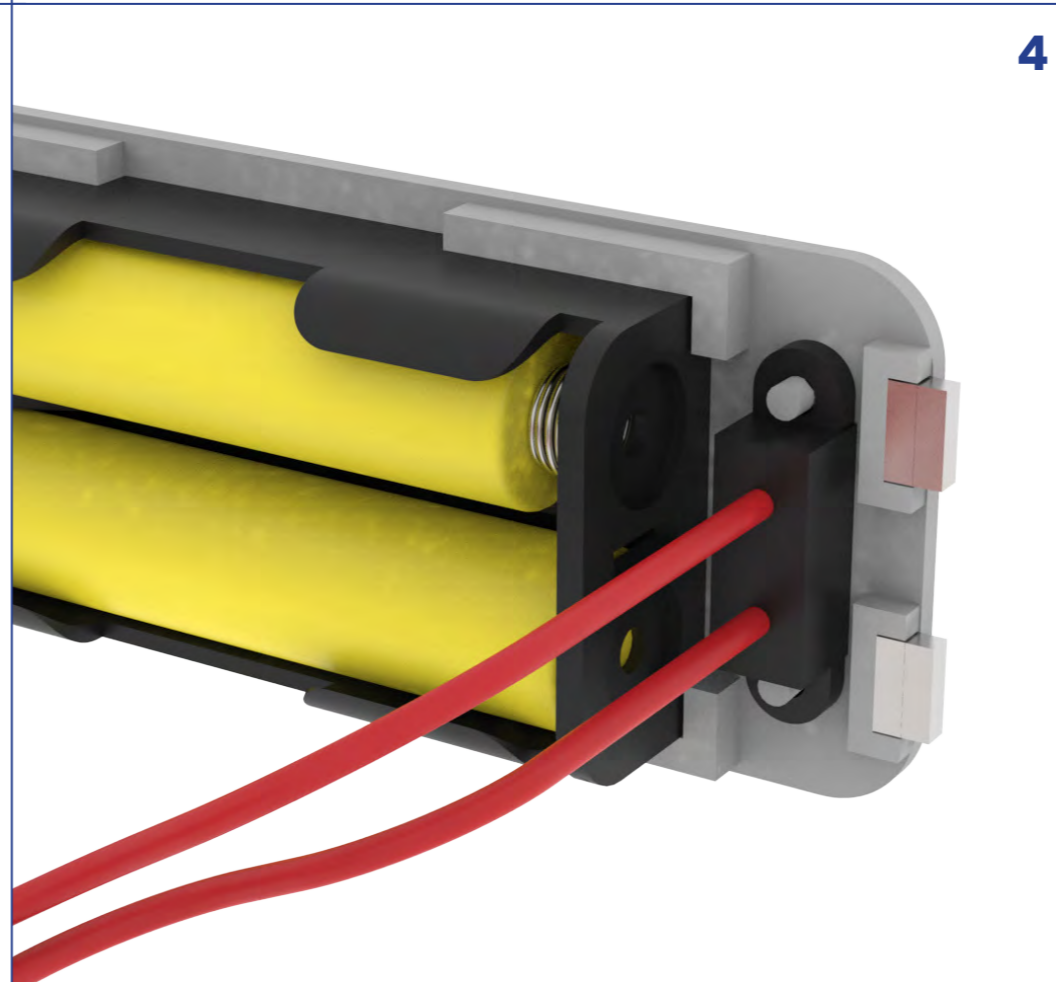
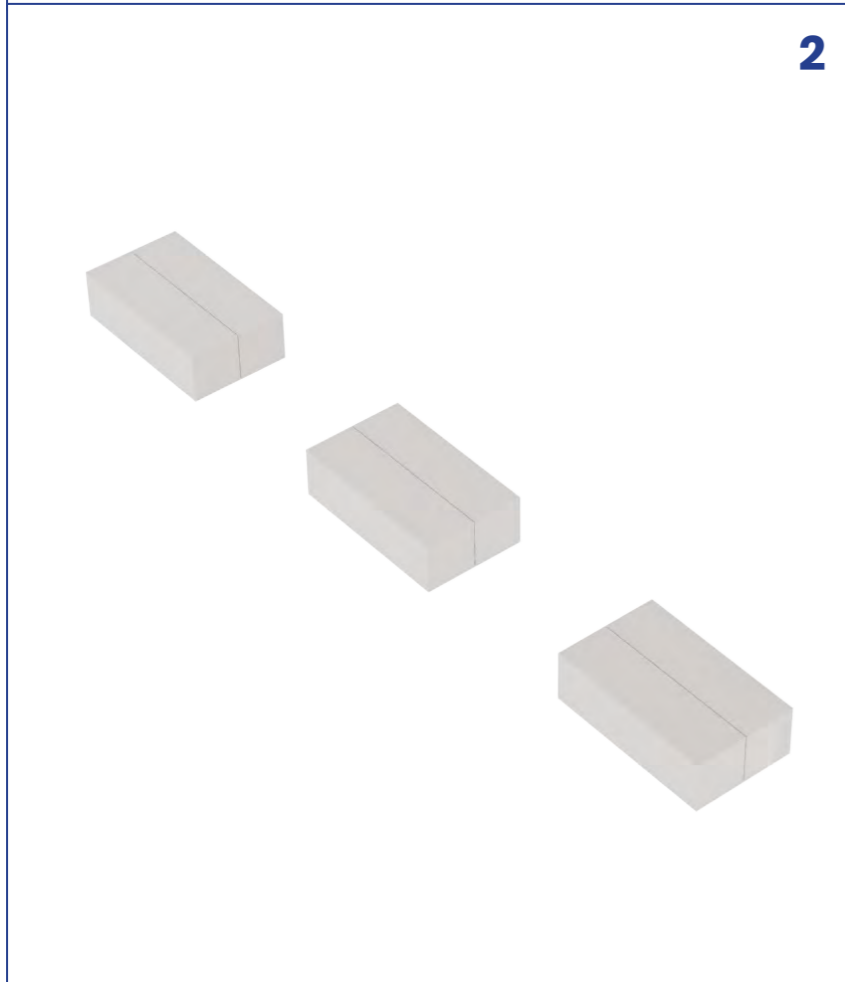
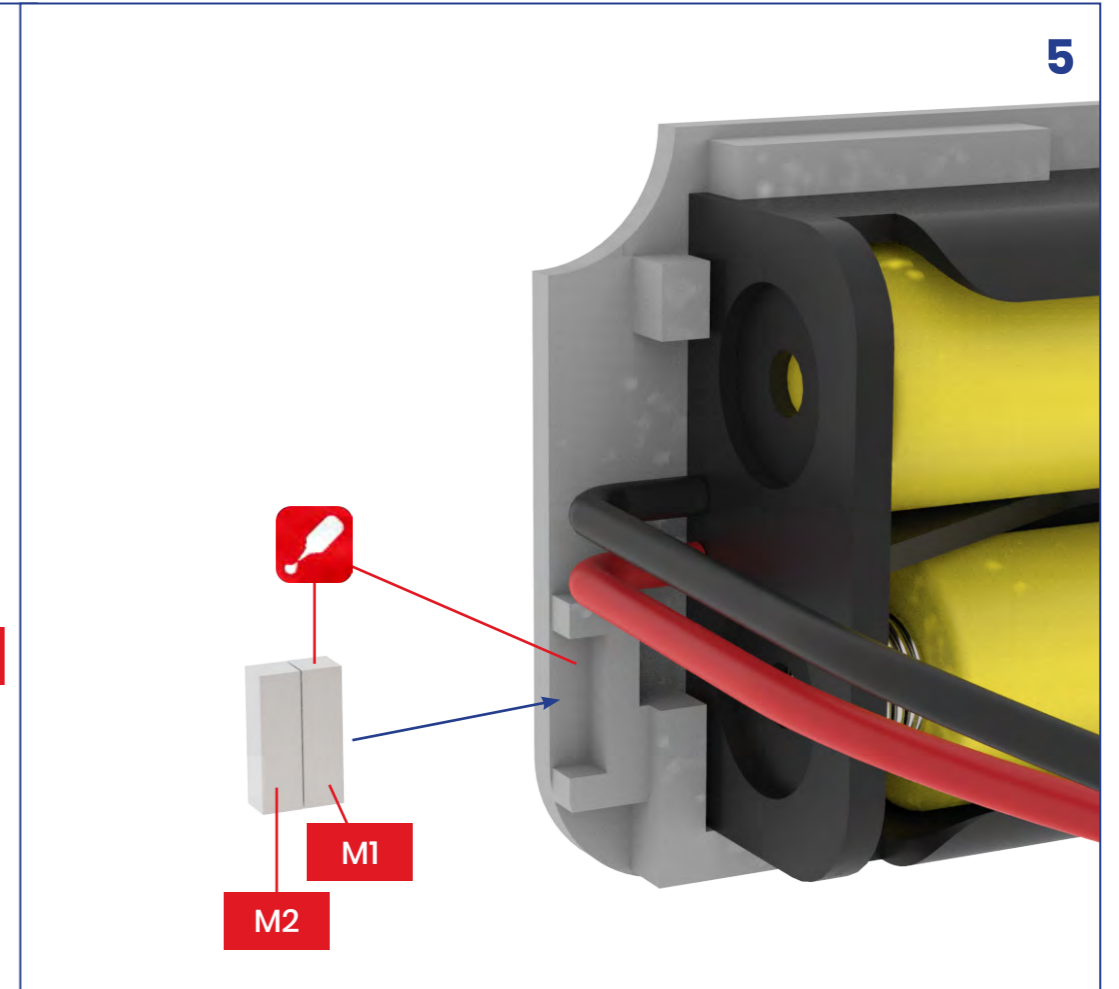
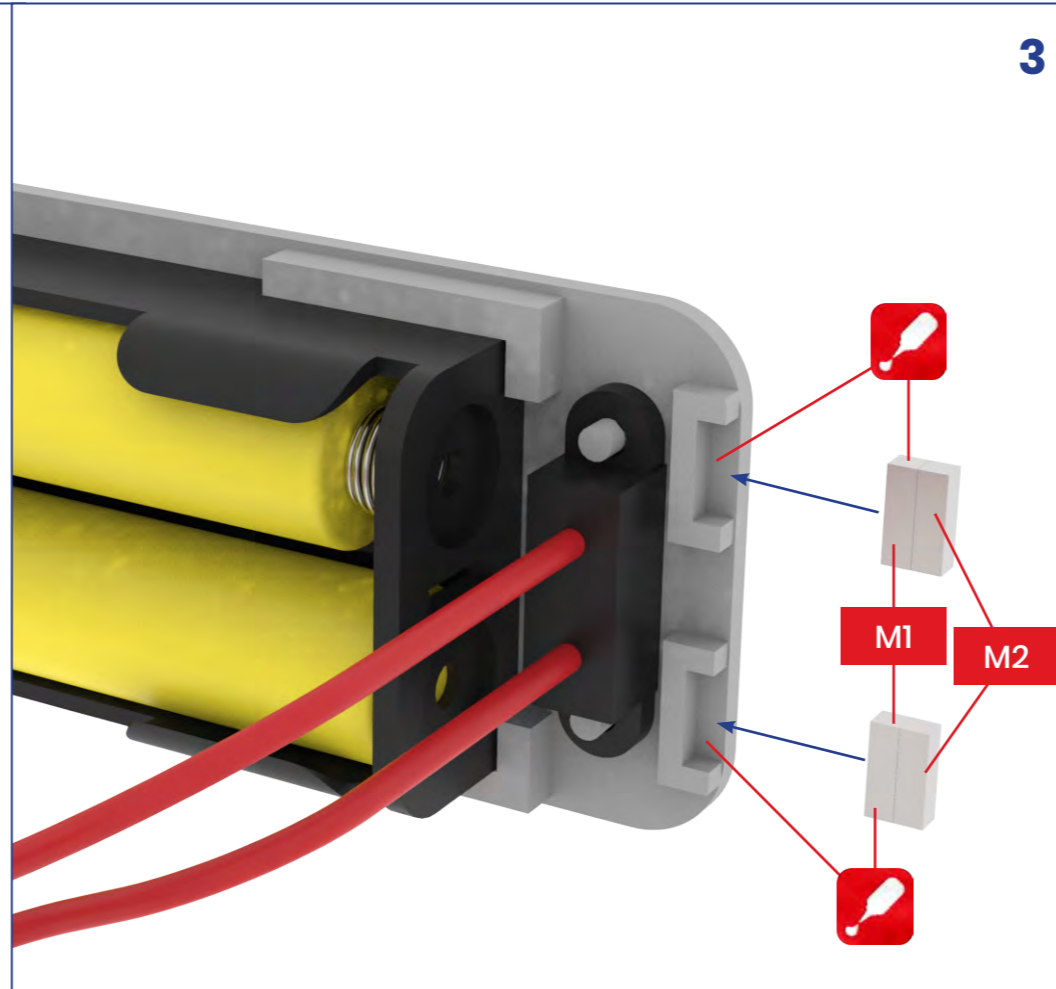
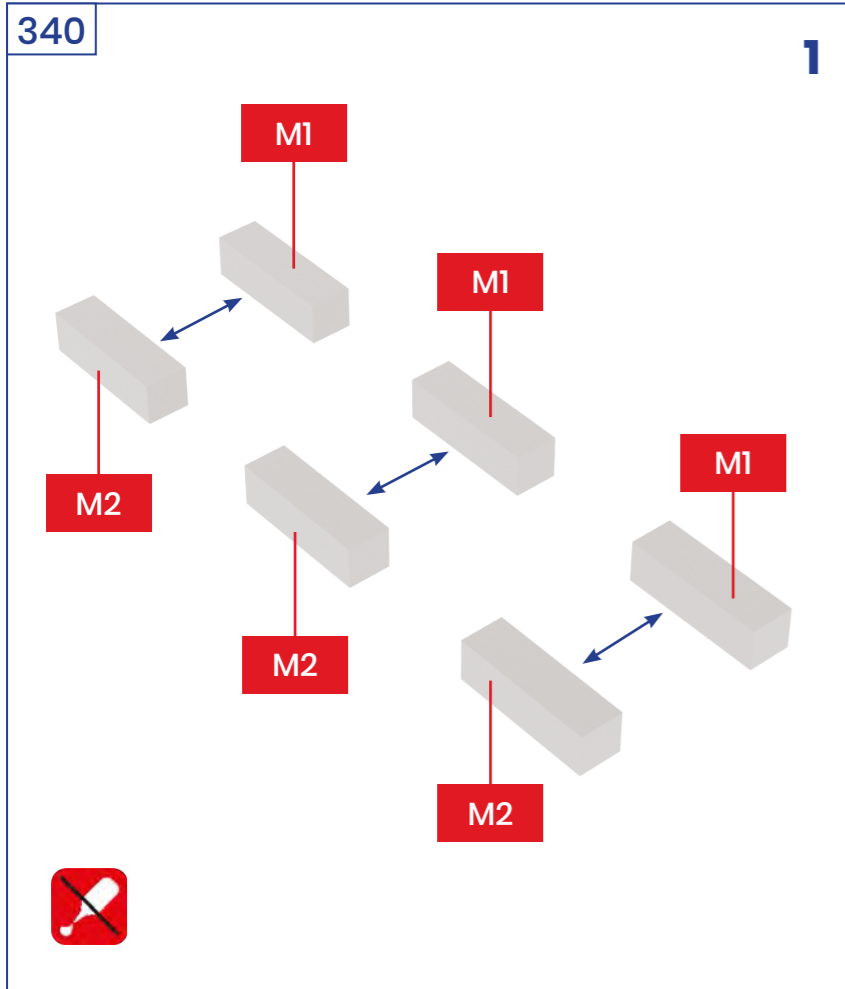


339

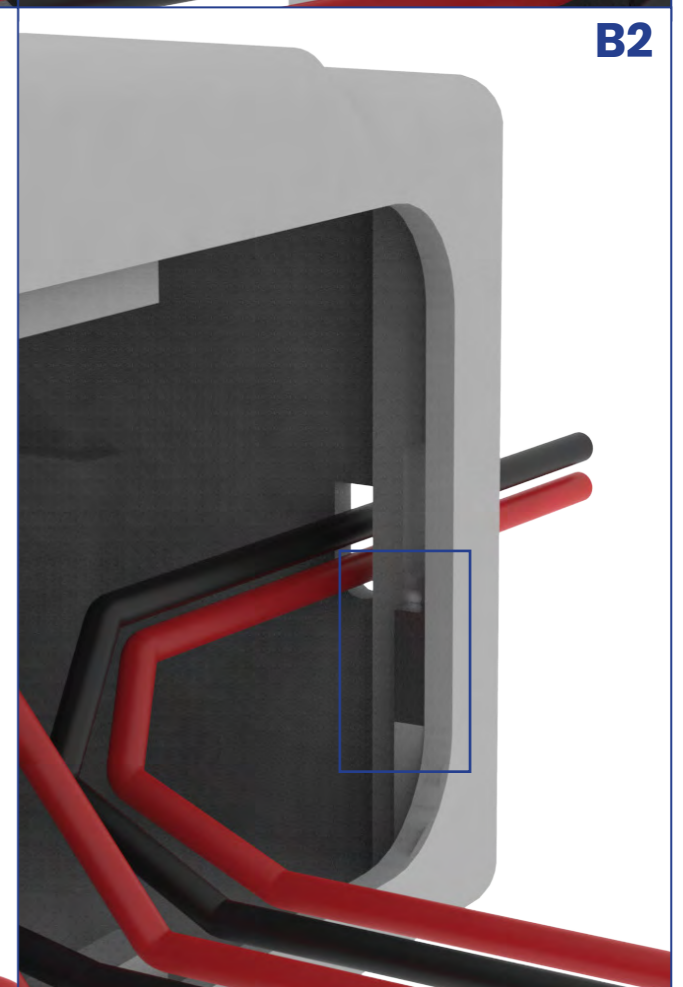
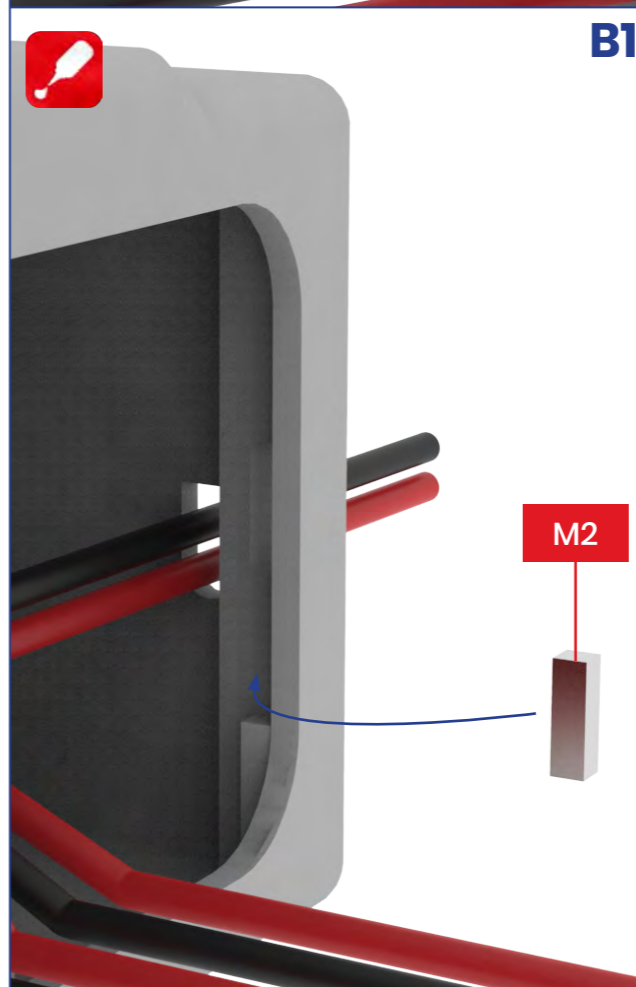
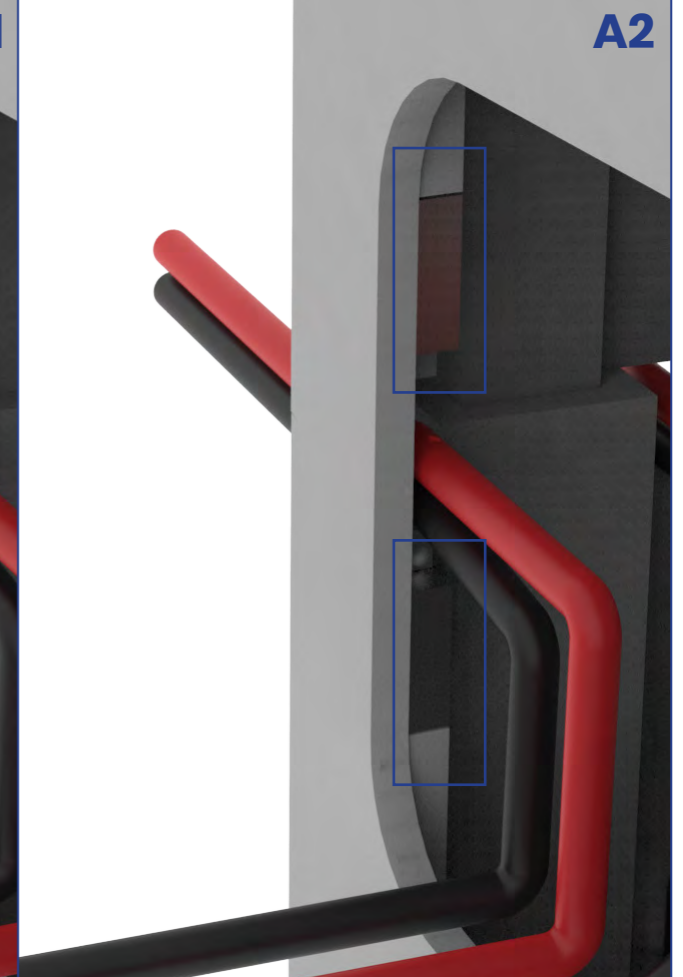
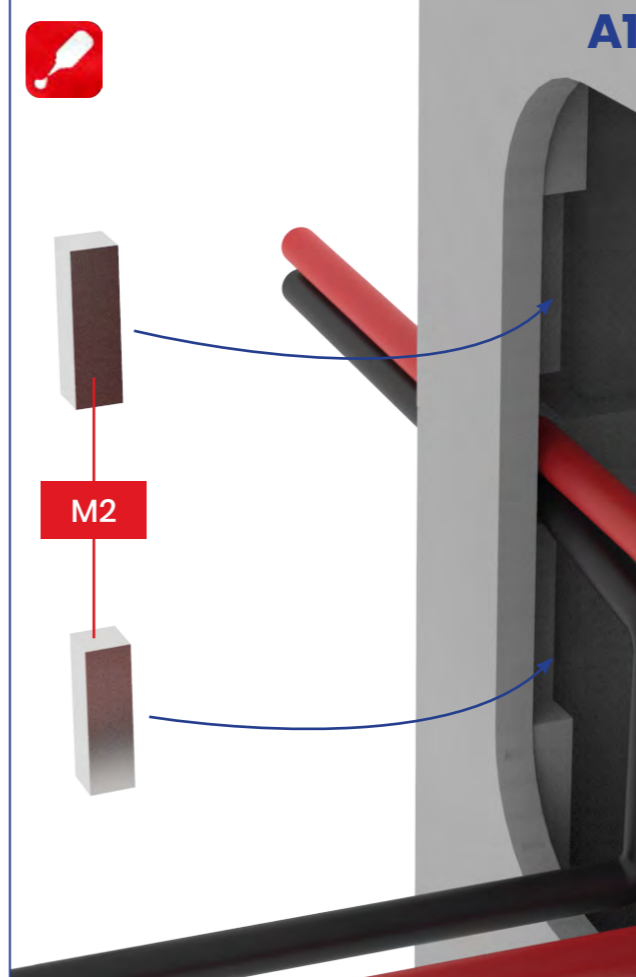
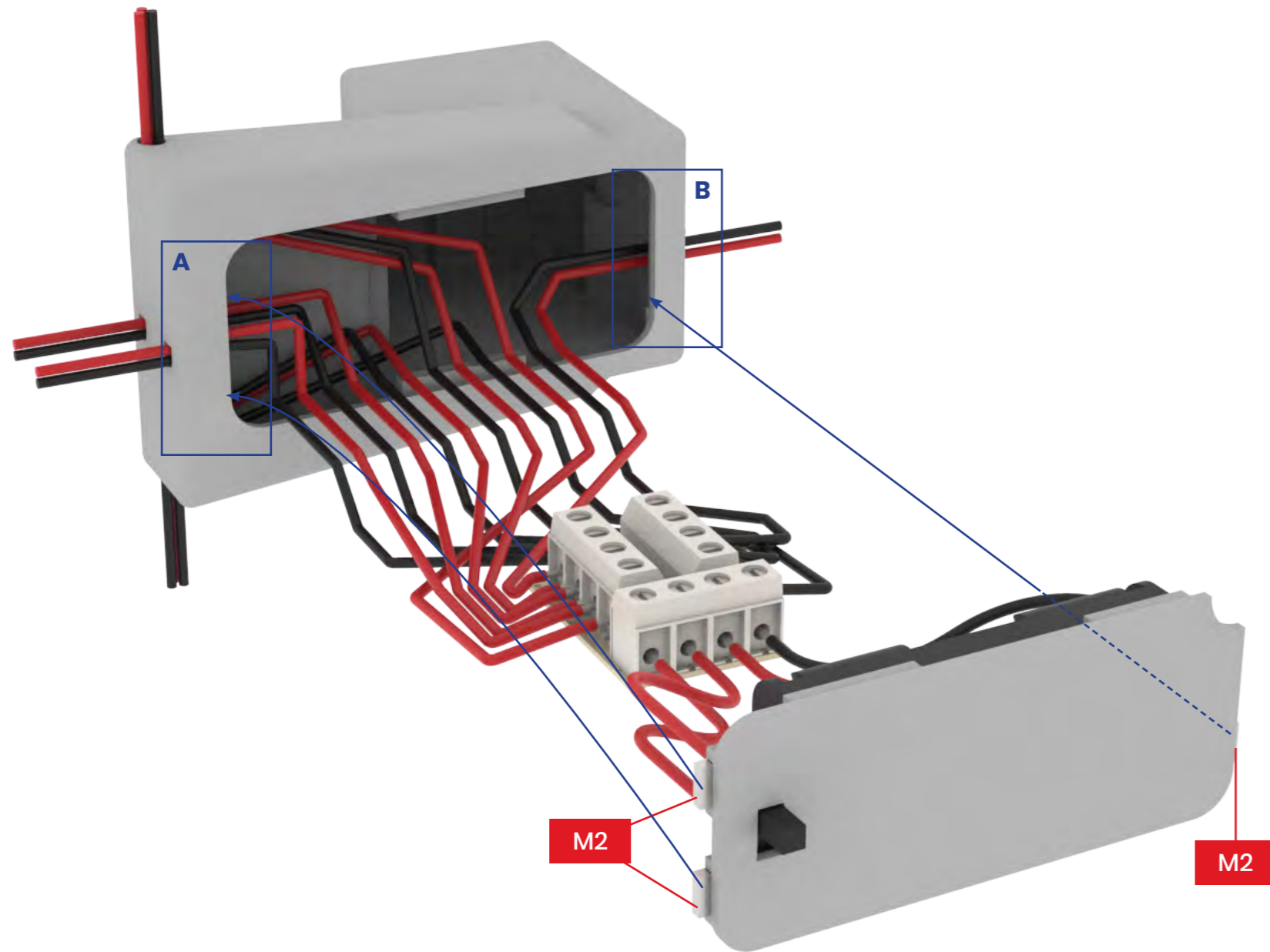


CHECK

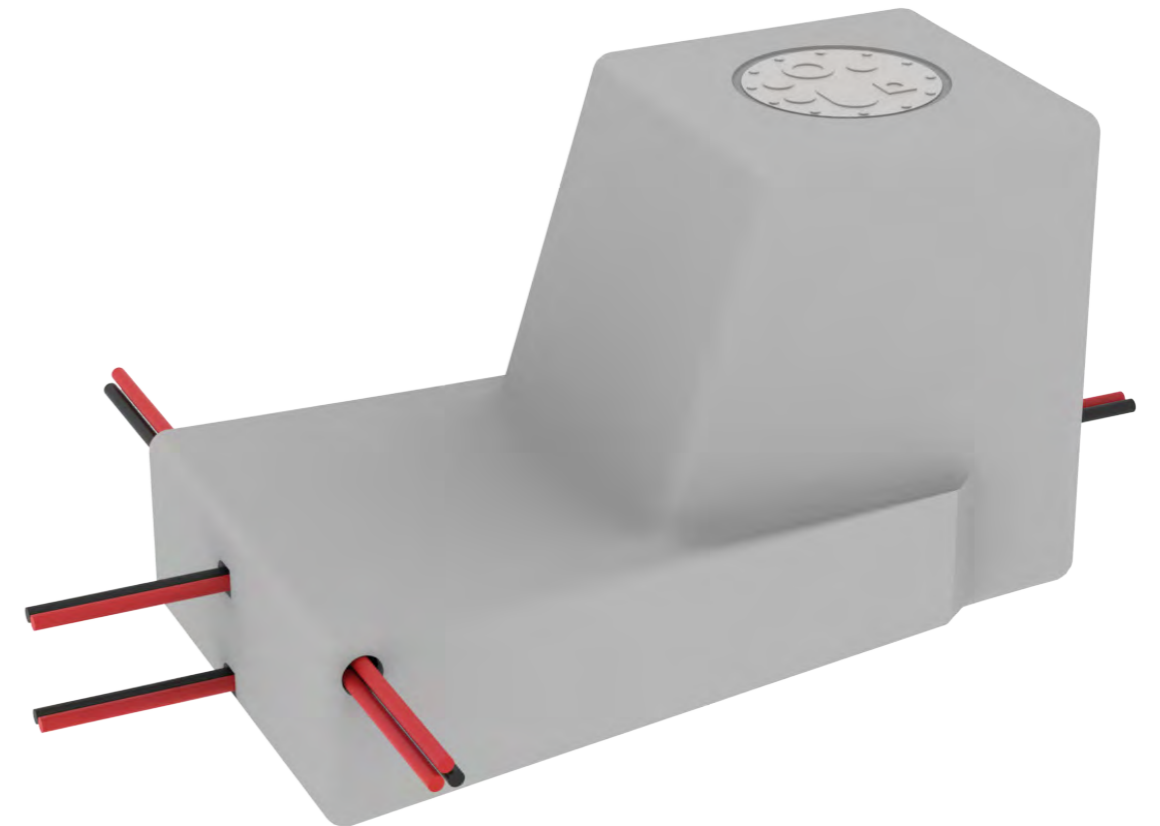
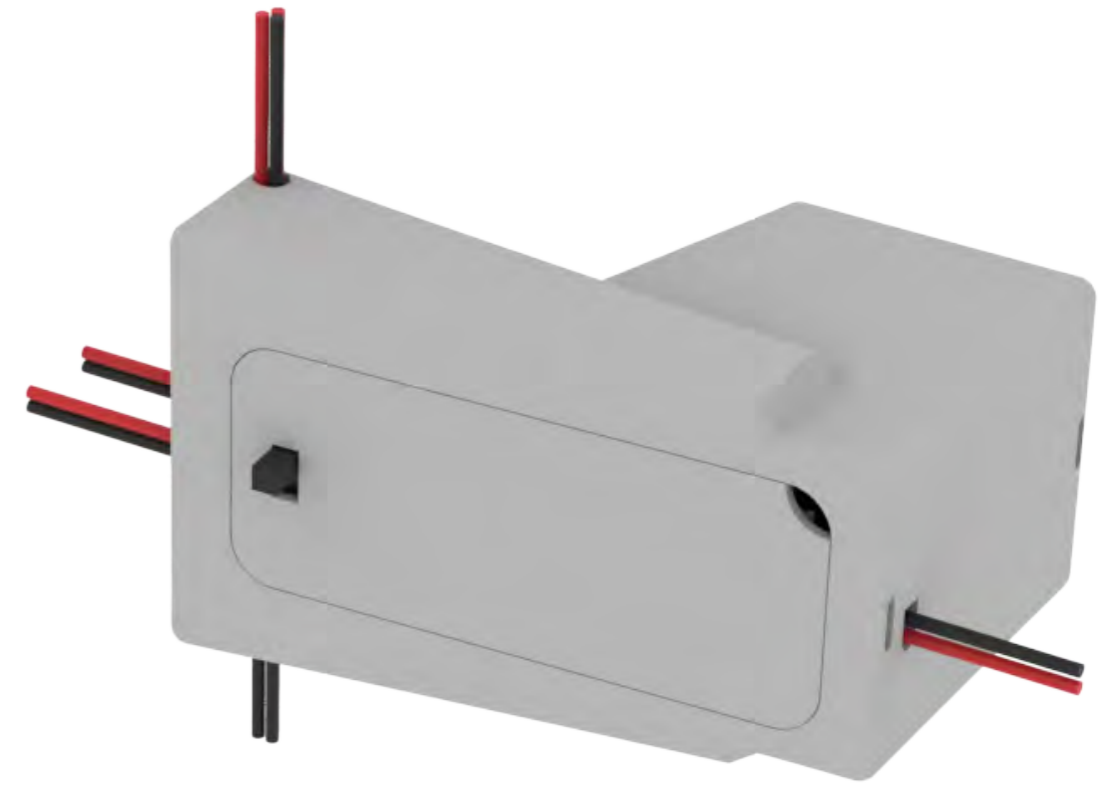
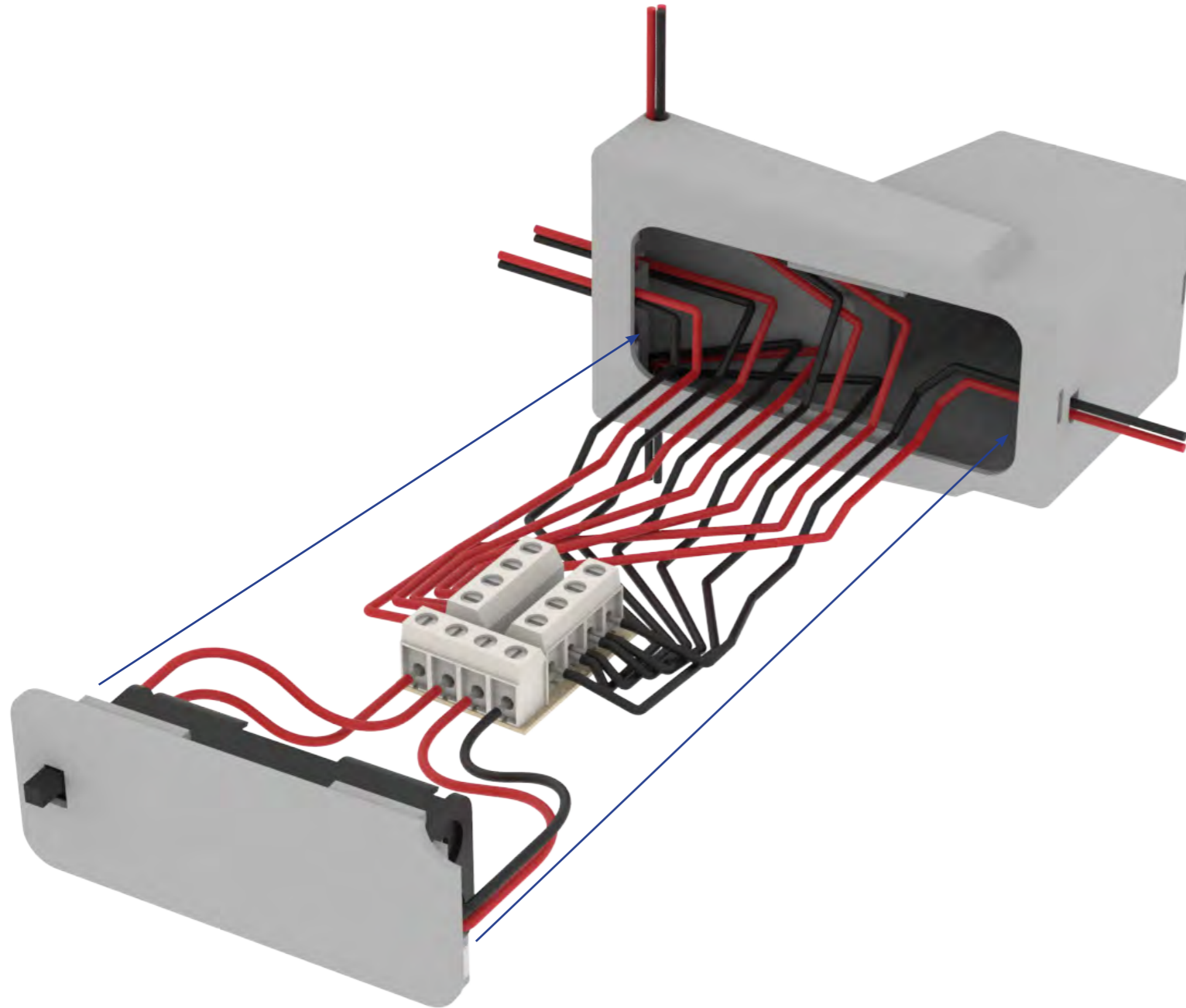
340



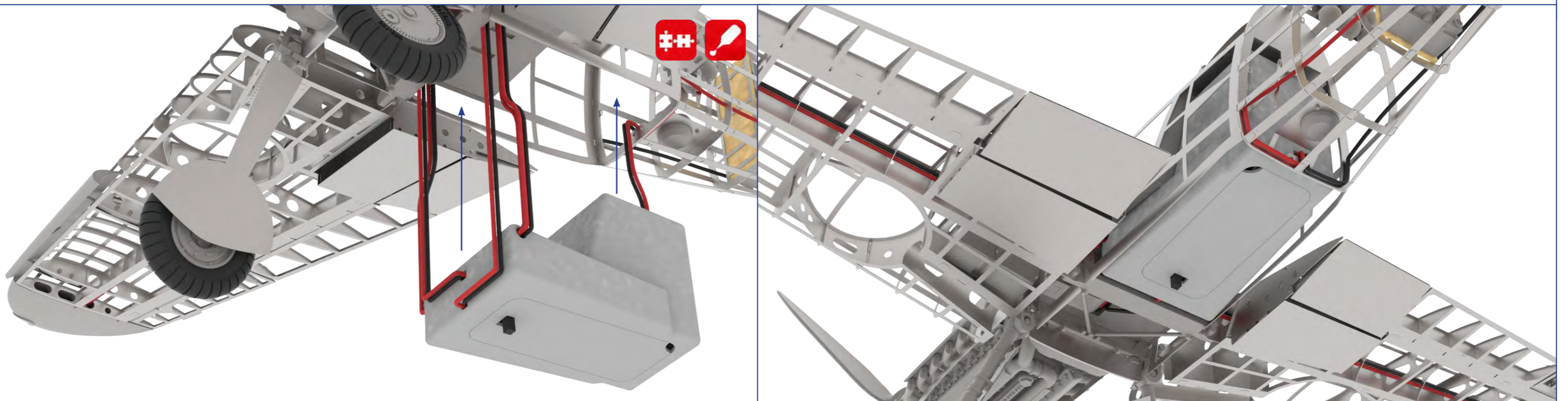
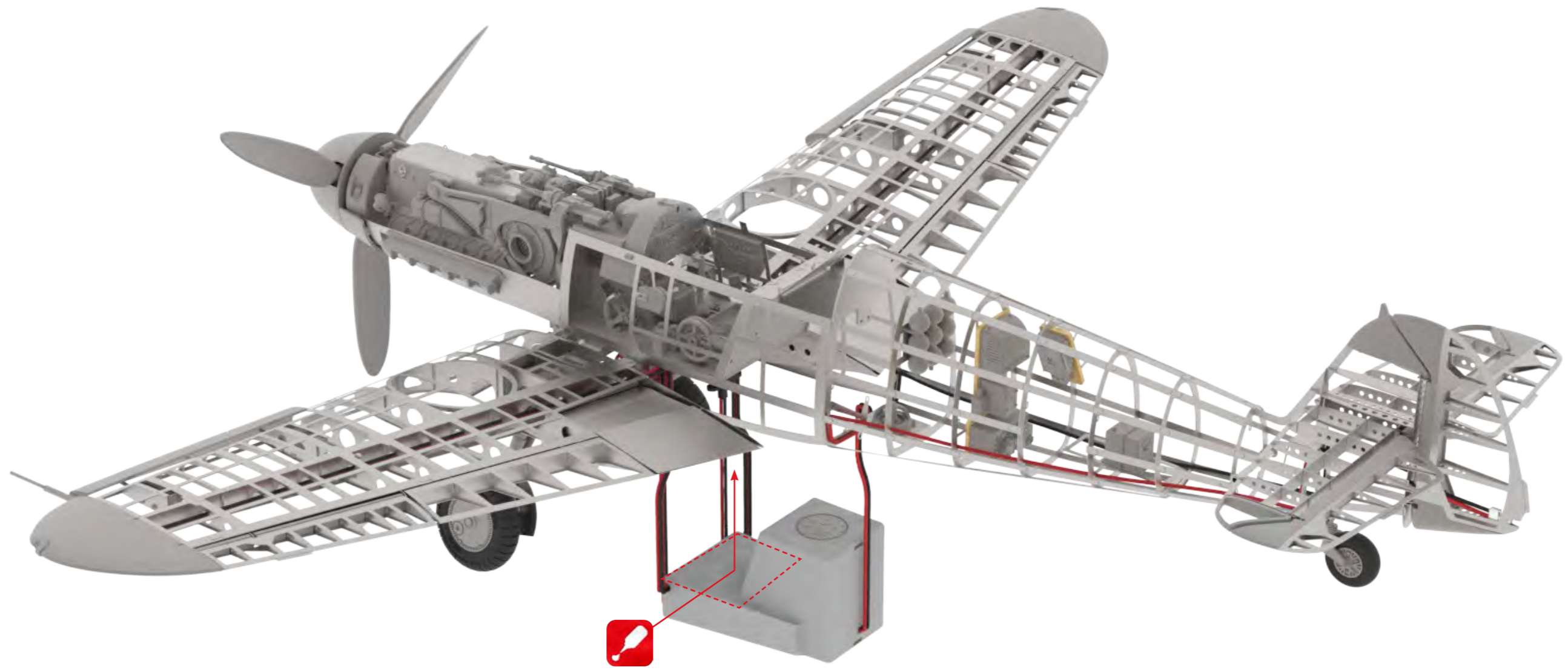
341



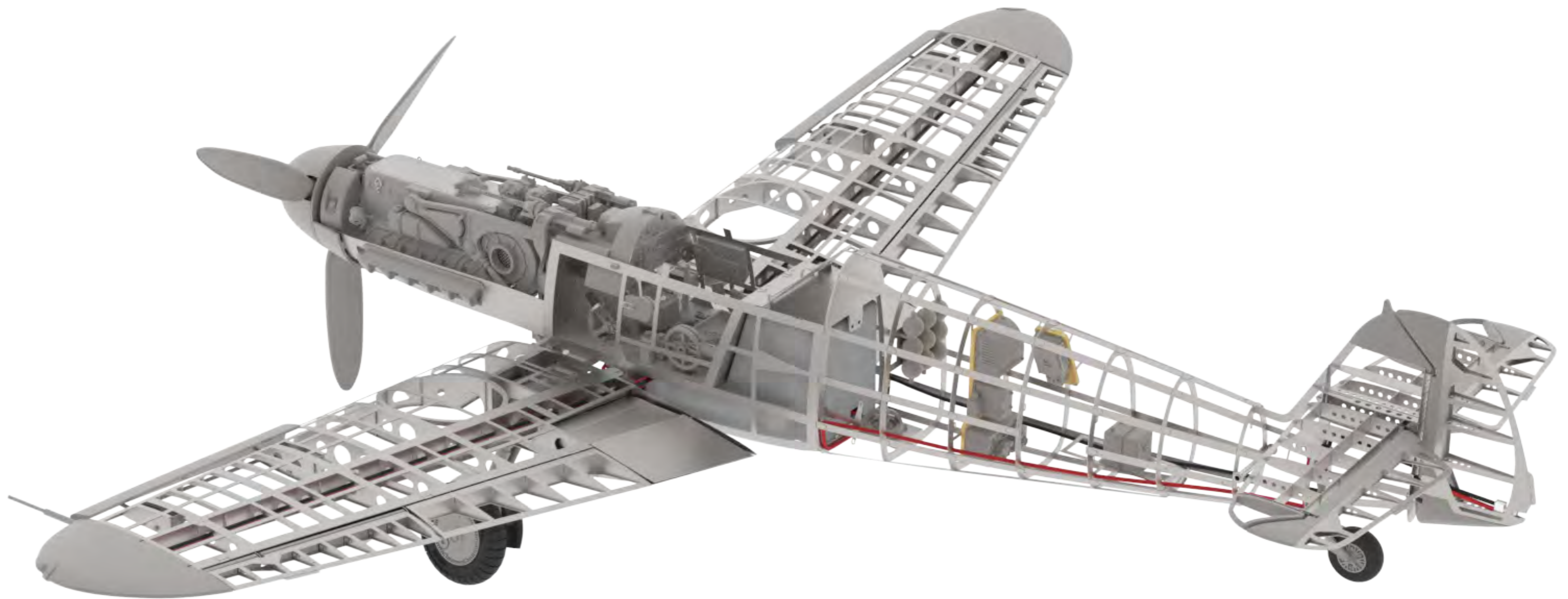
342



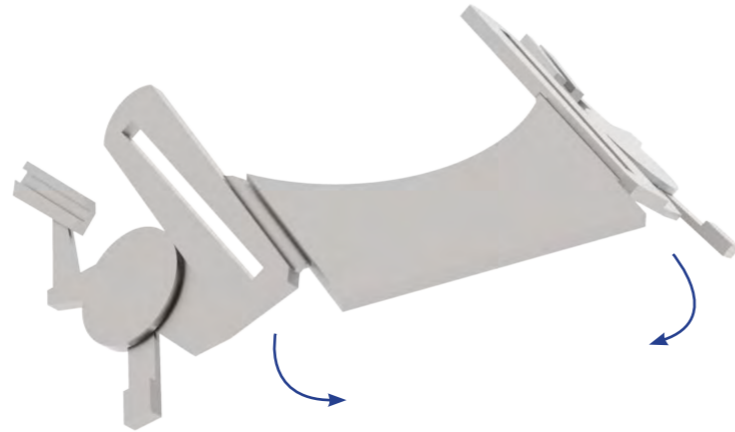
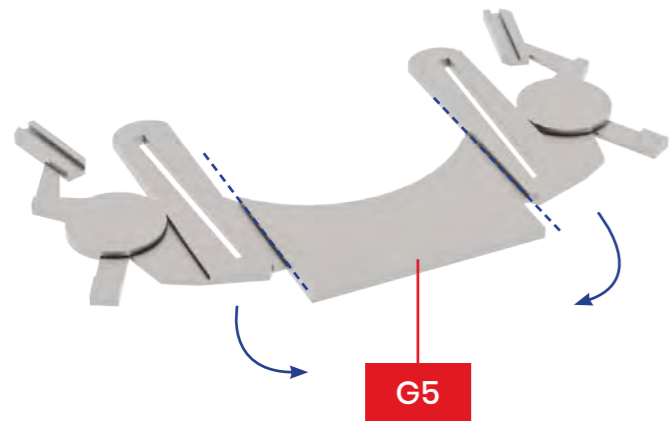
343



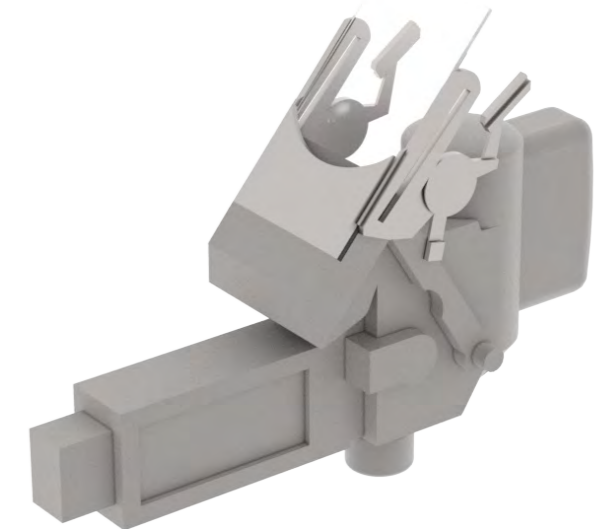
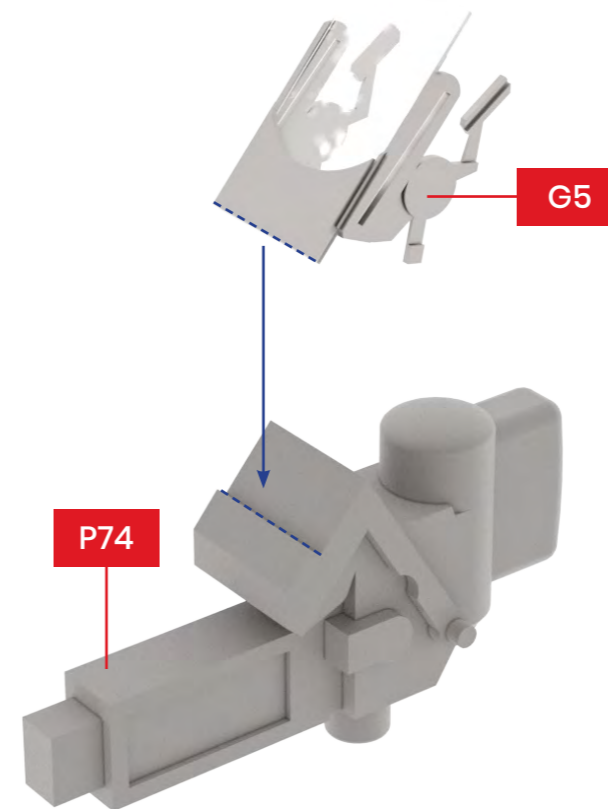
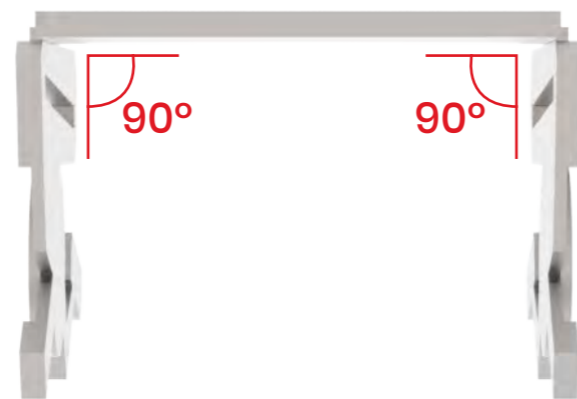
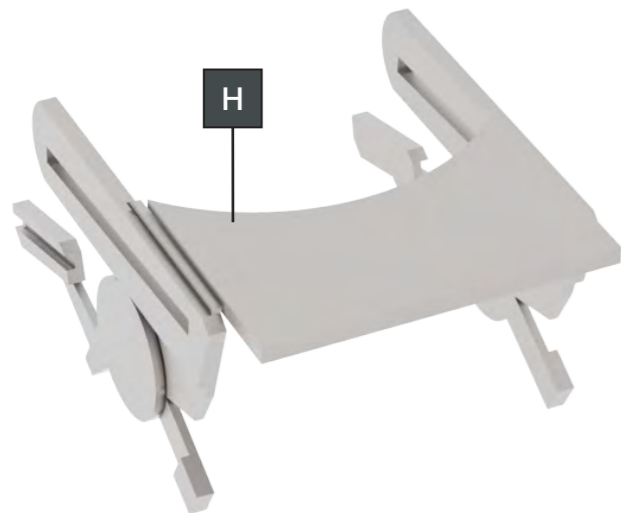
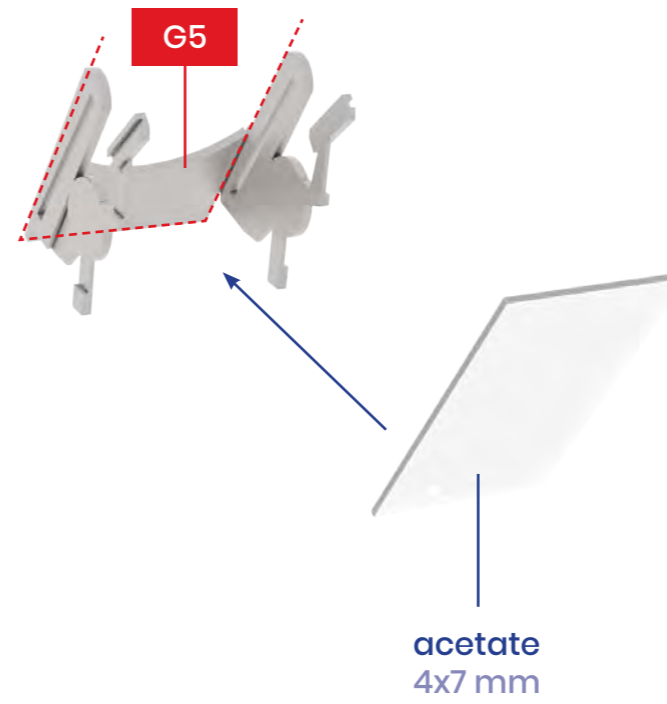
344



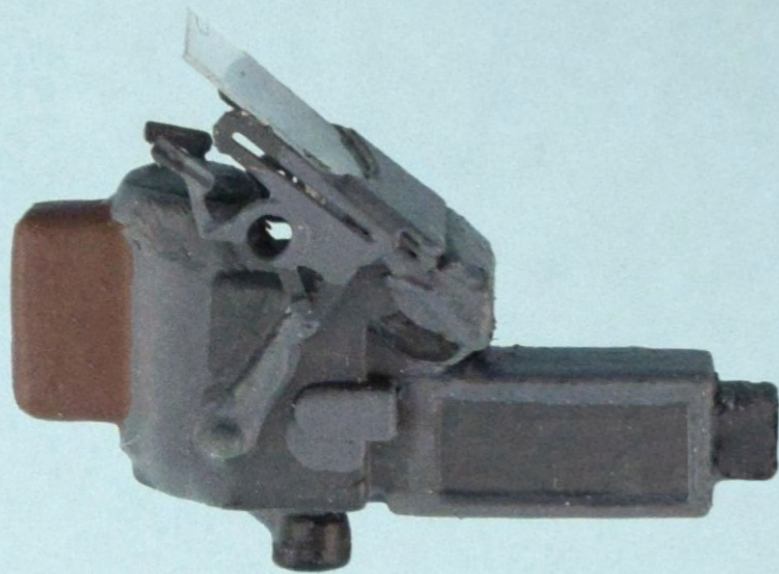
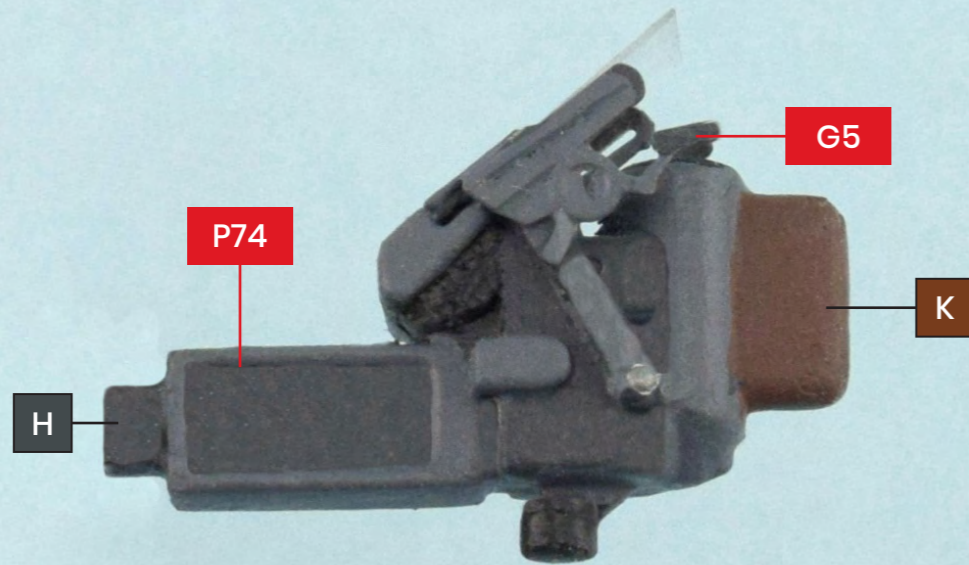
345

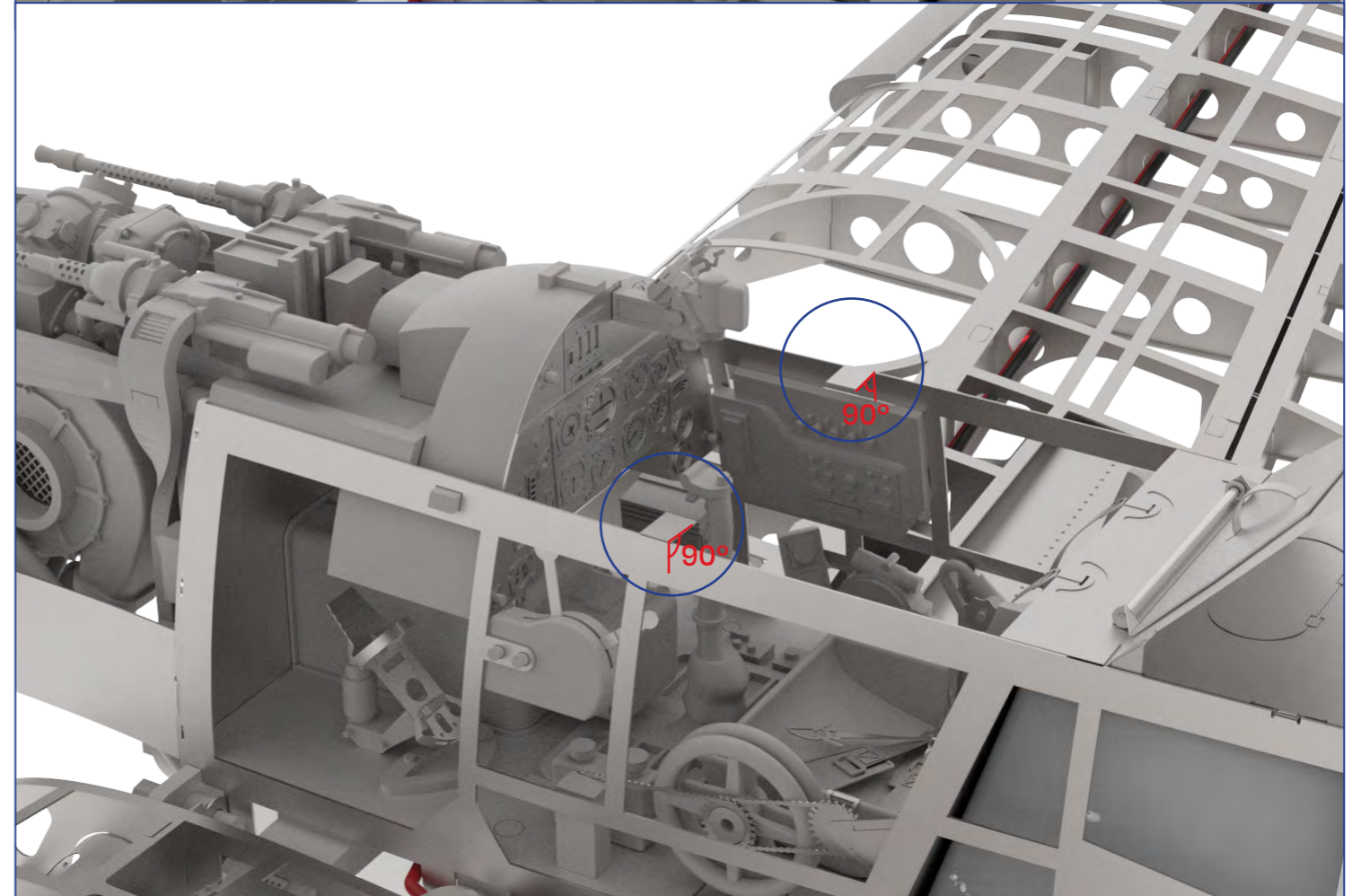
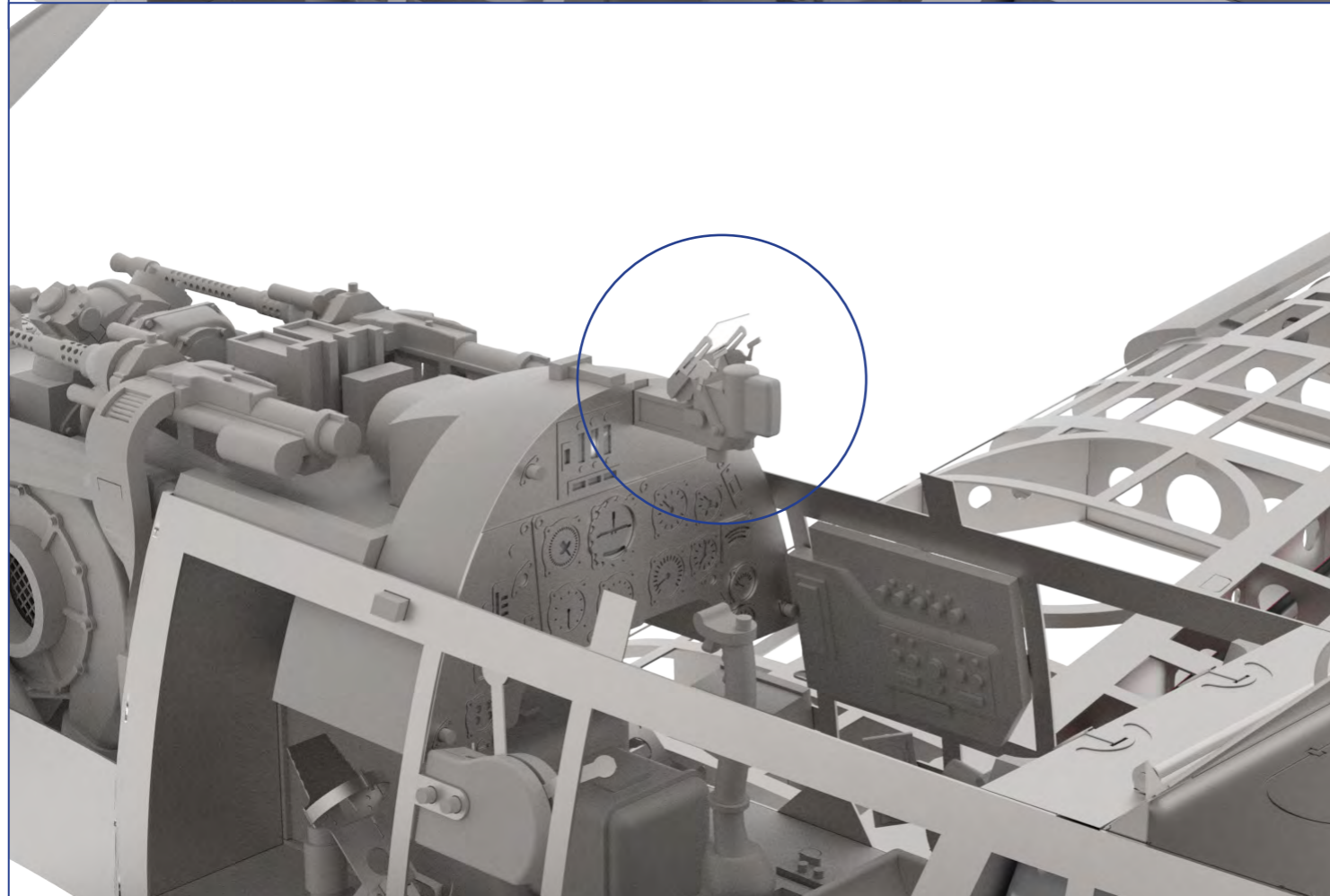
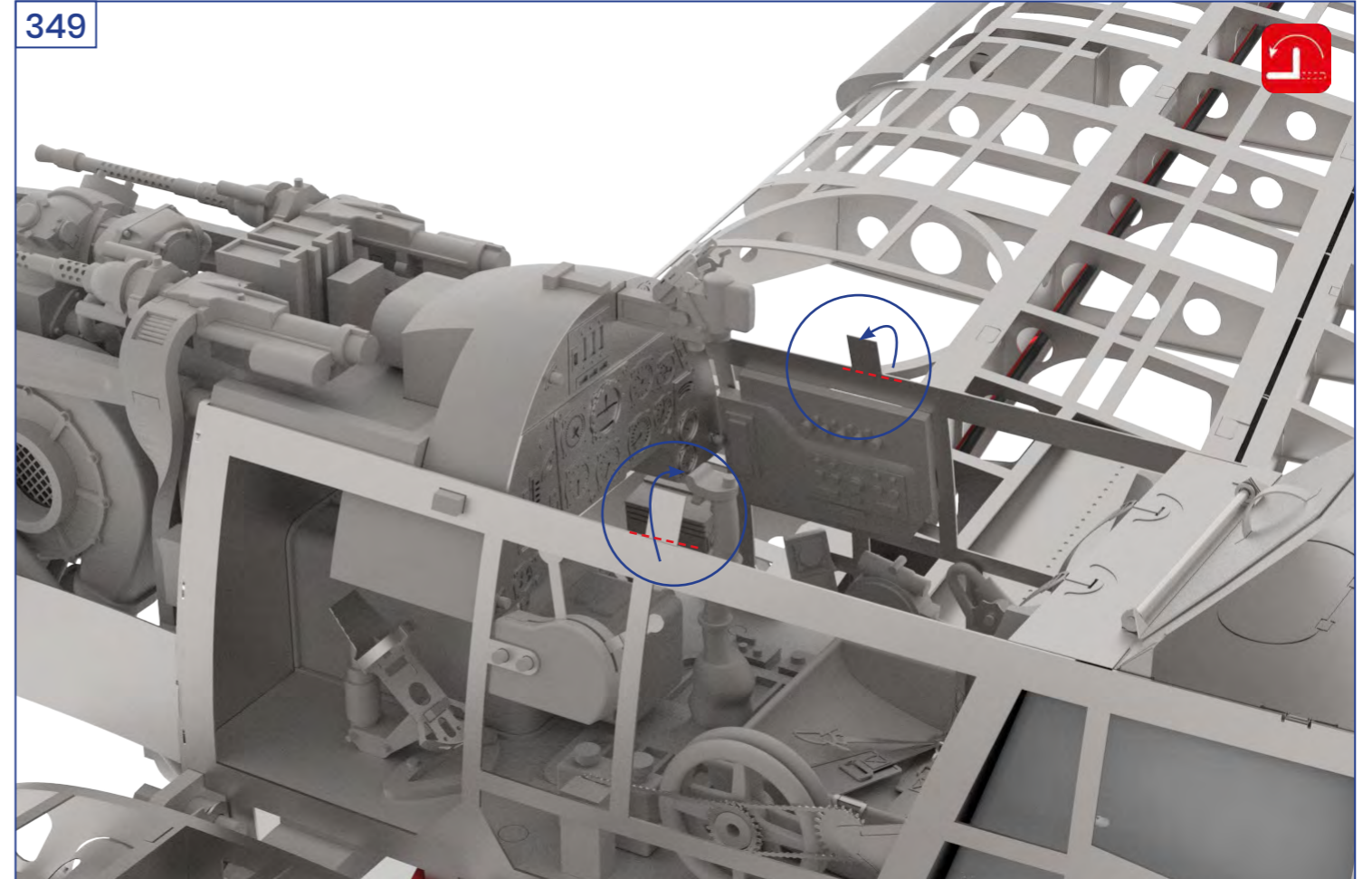
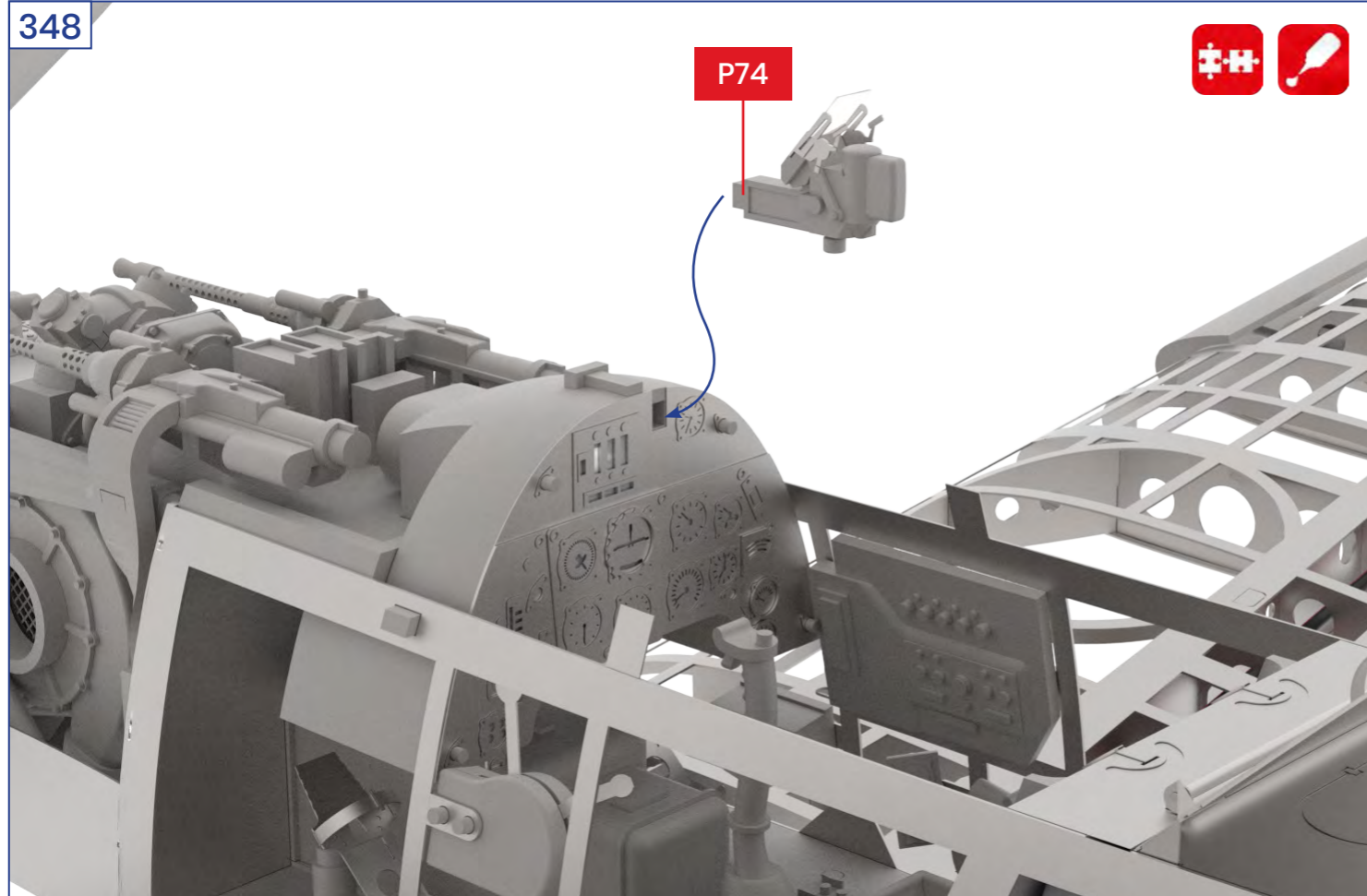


346

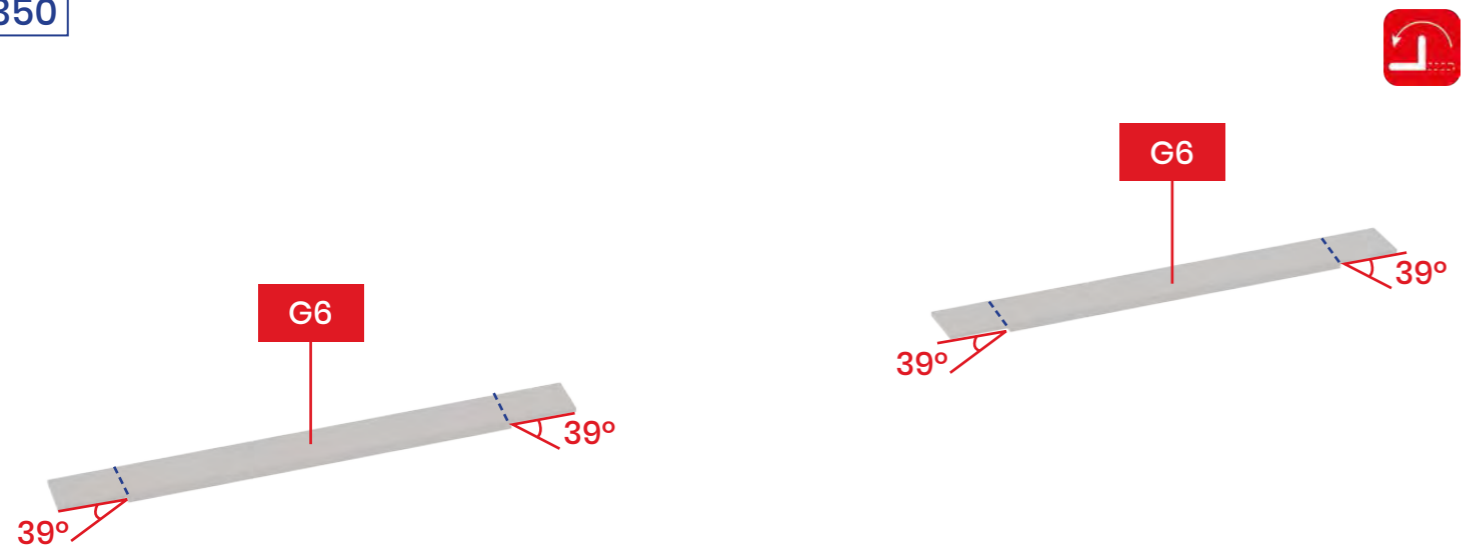


347

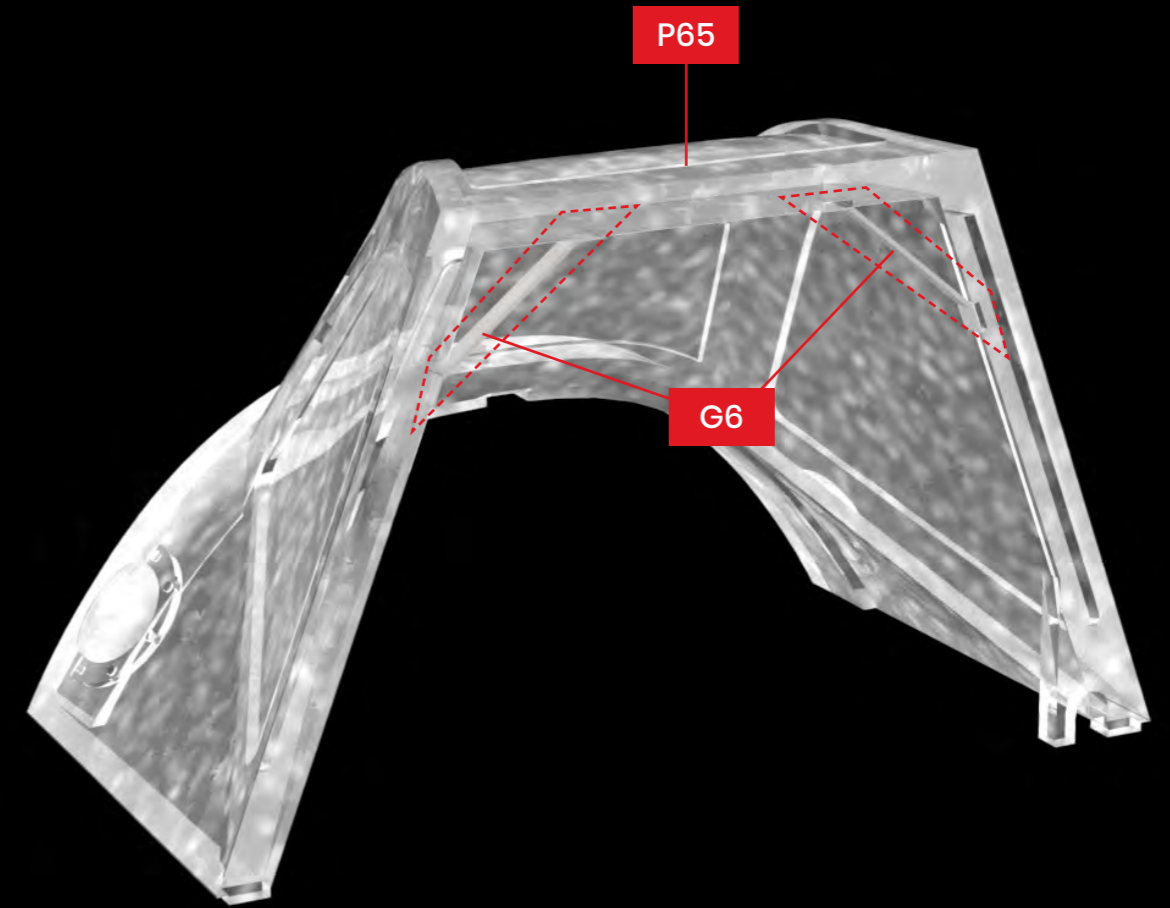
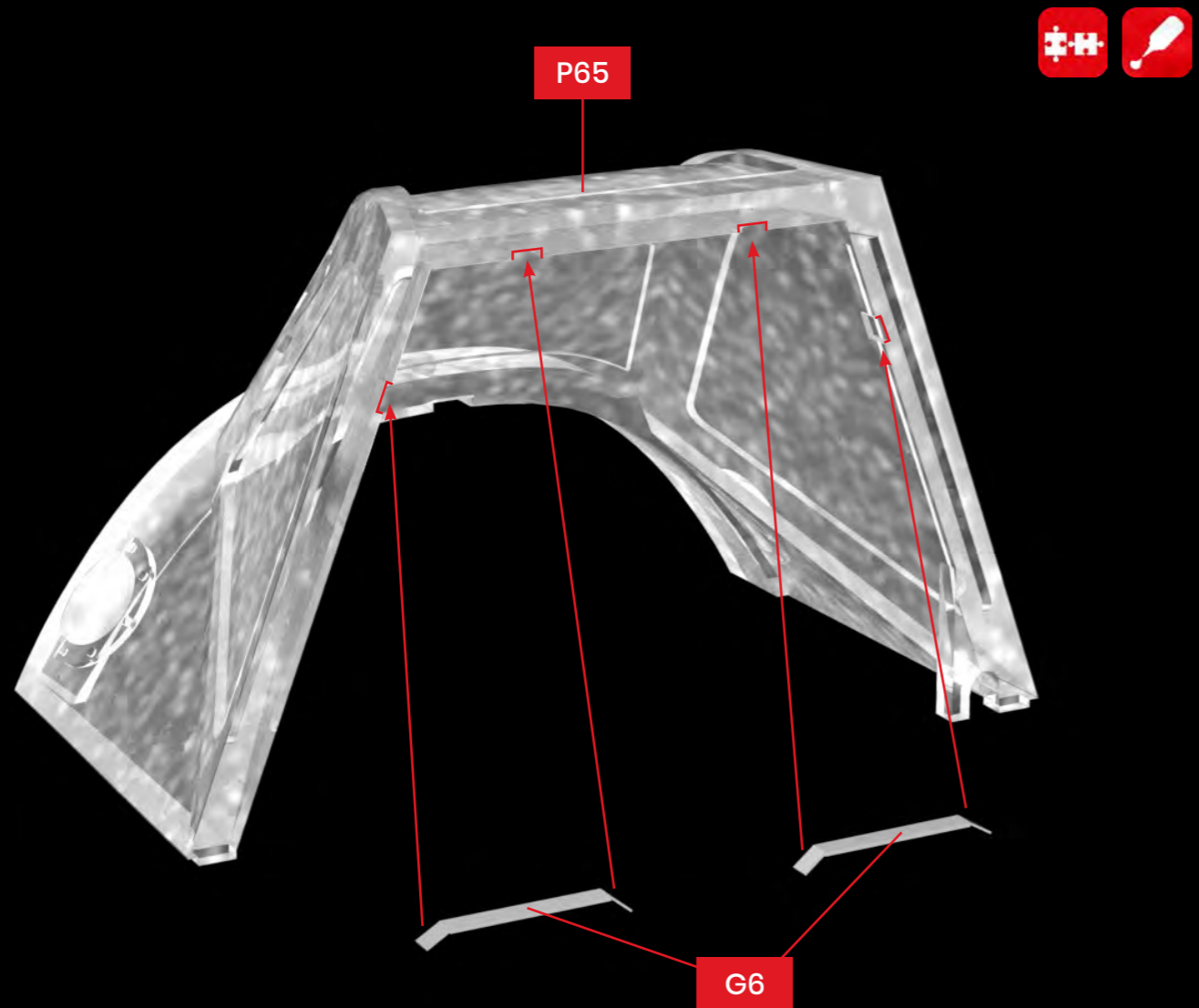




350



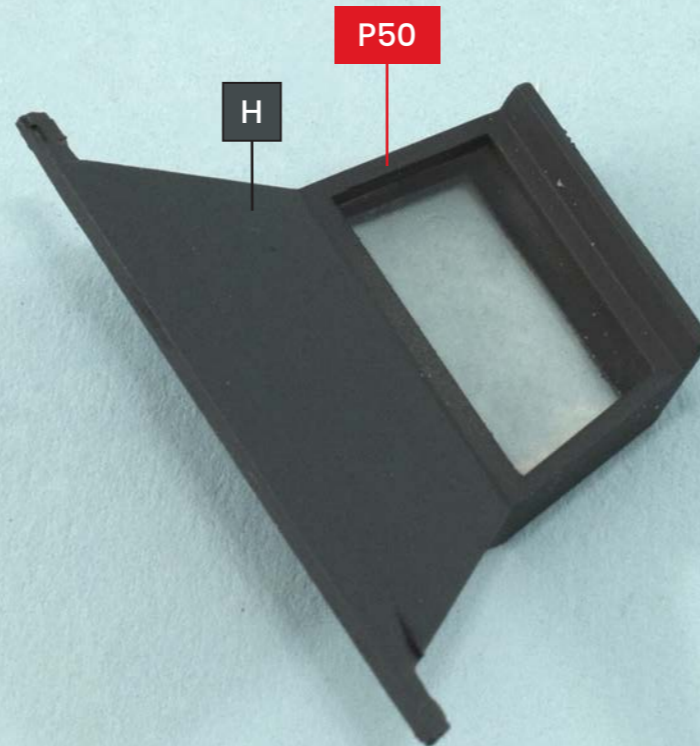
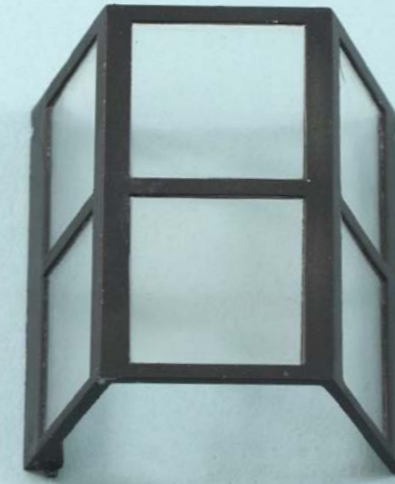
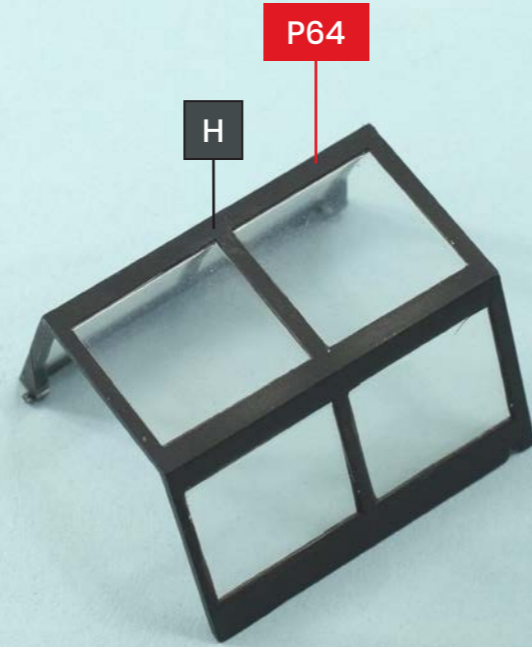
351



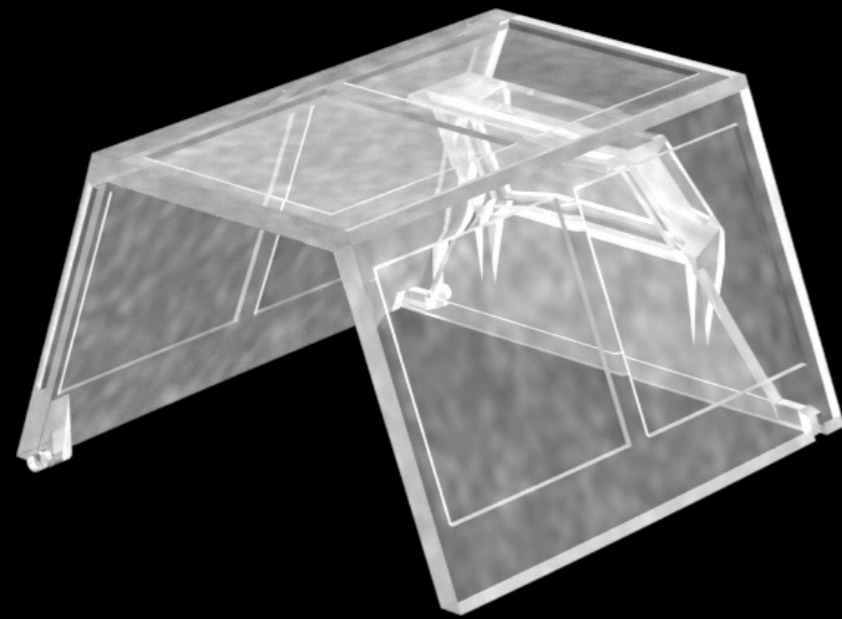
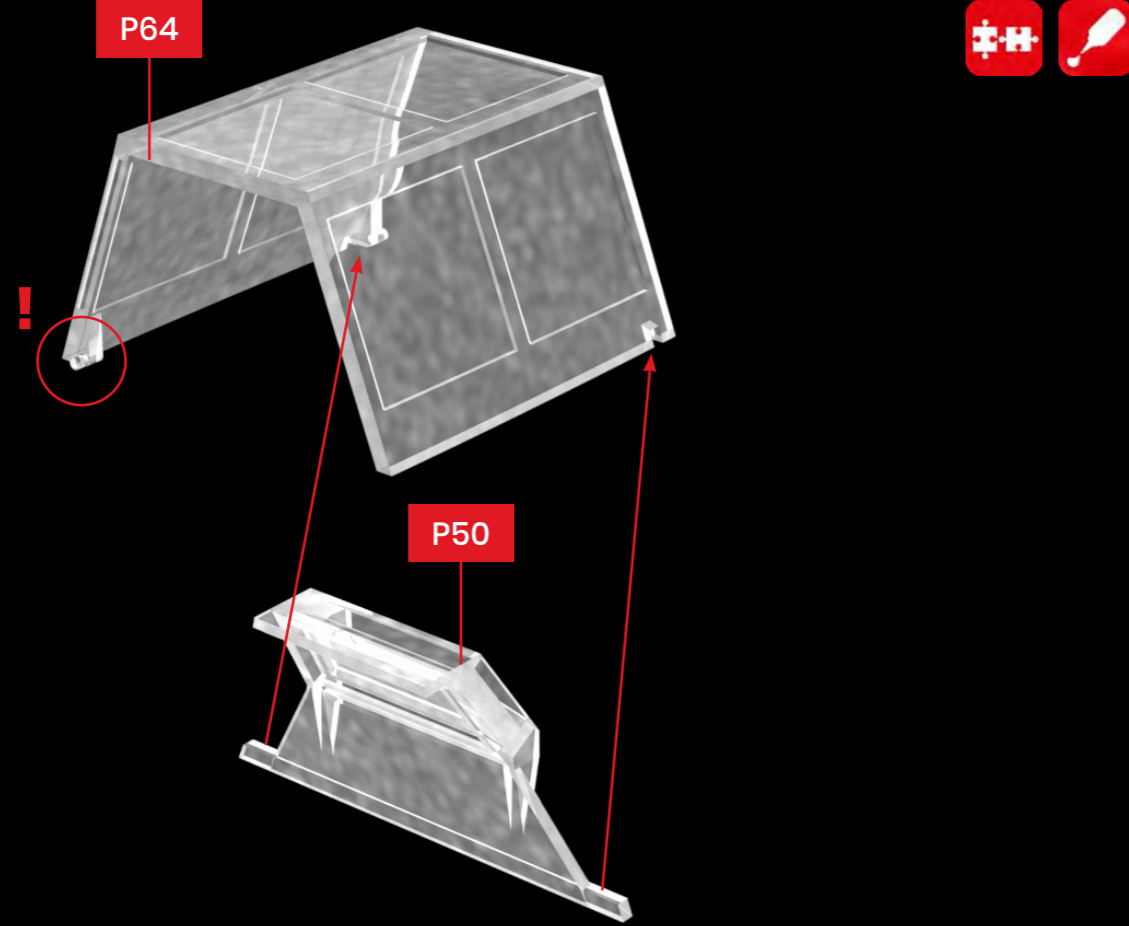
352



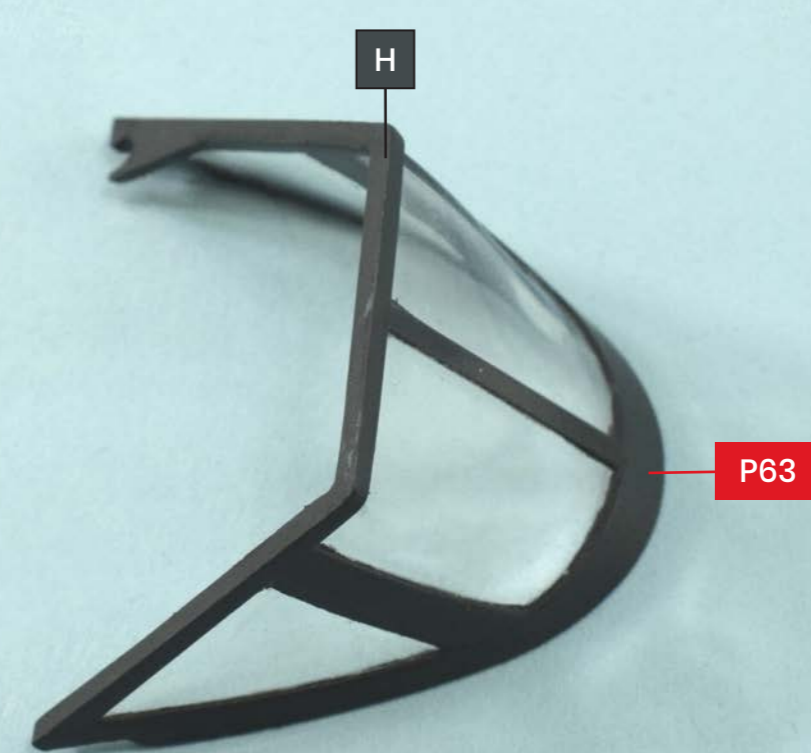
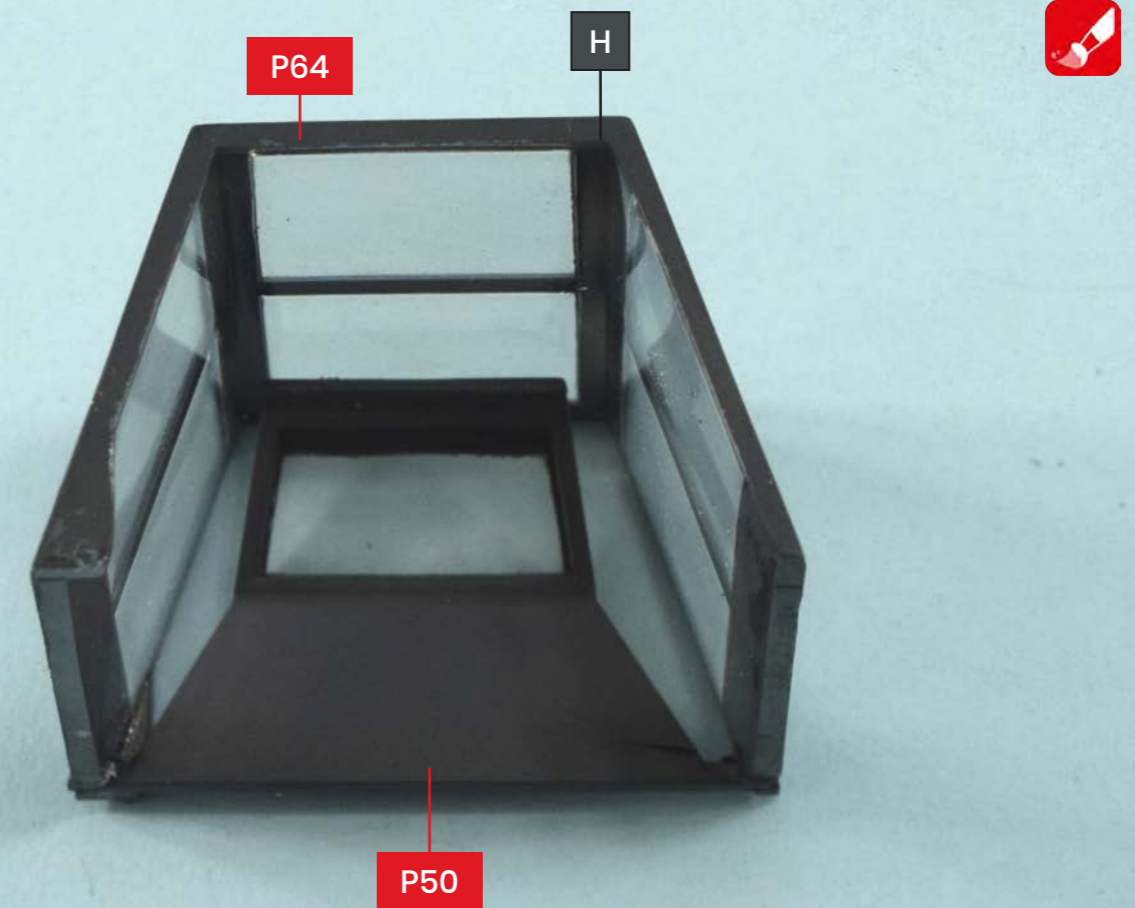
353



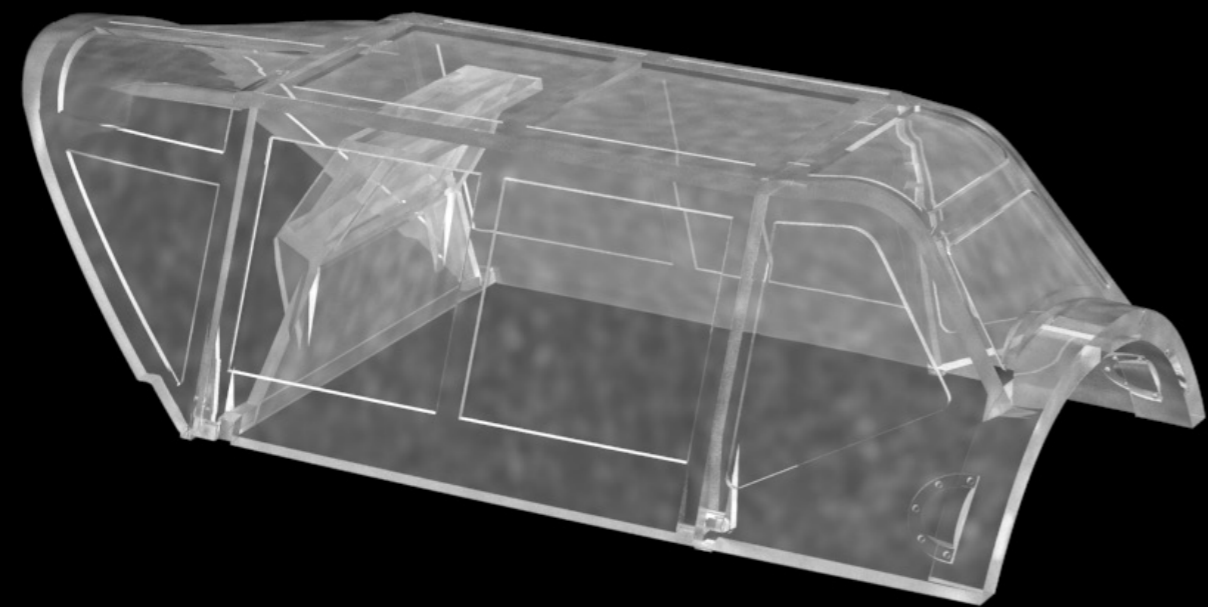
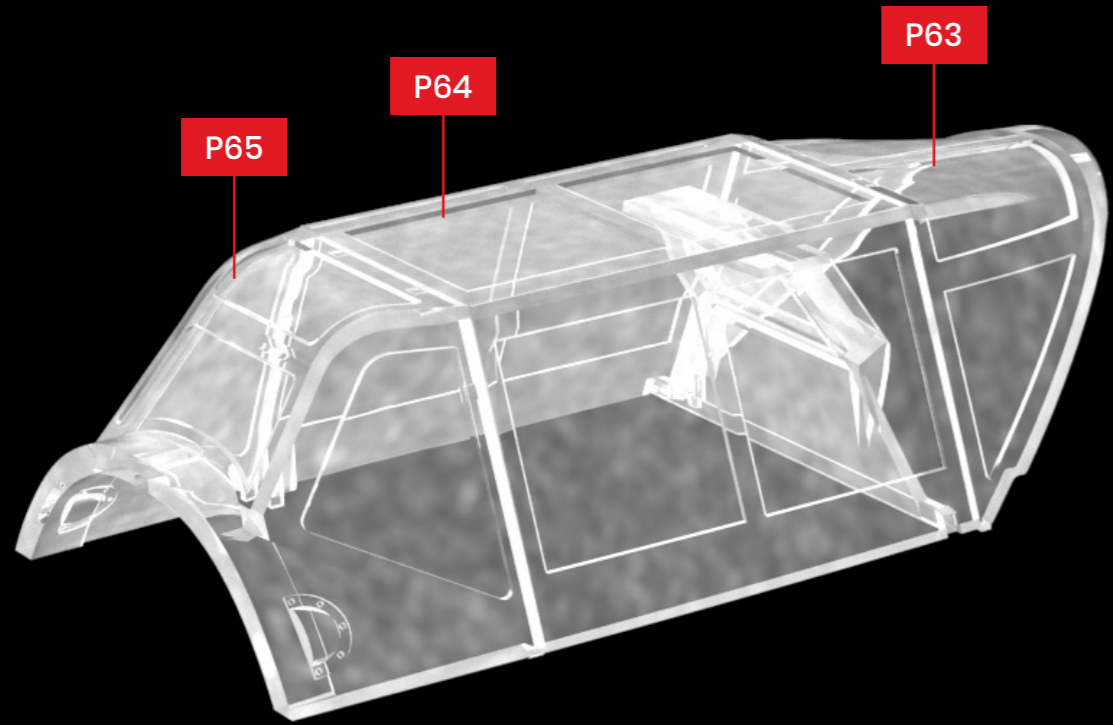
354



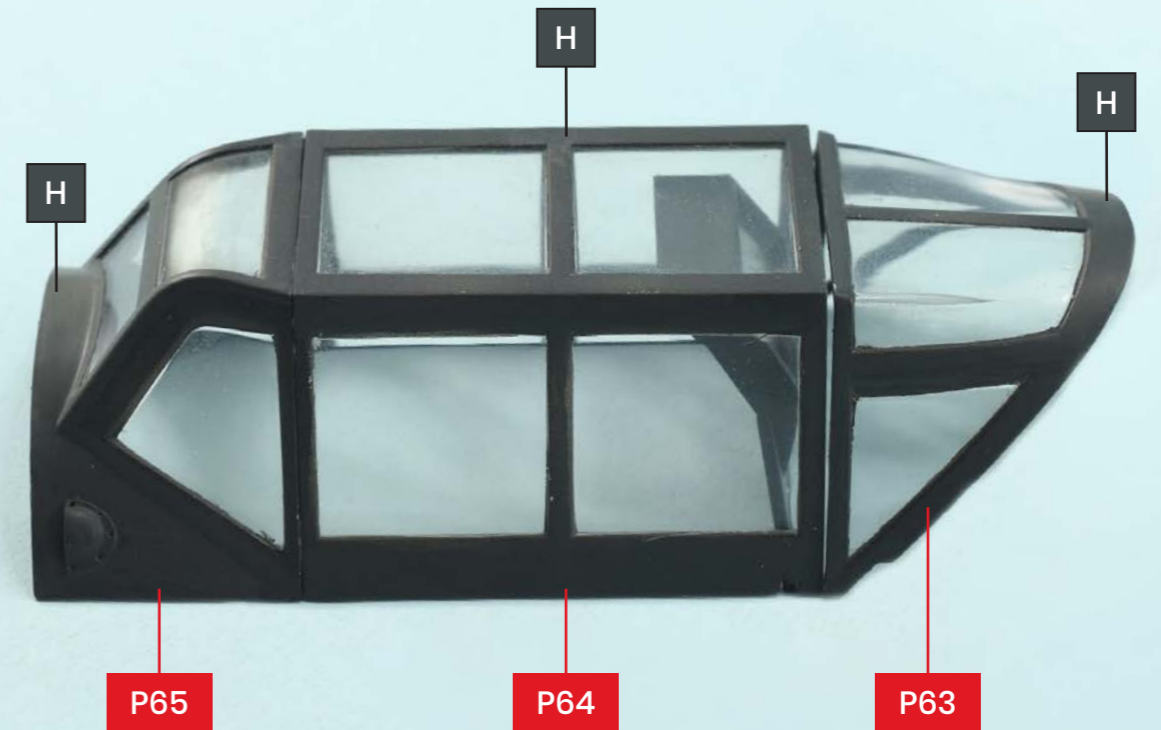
355



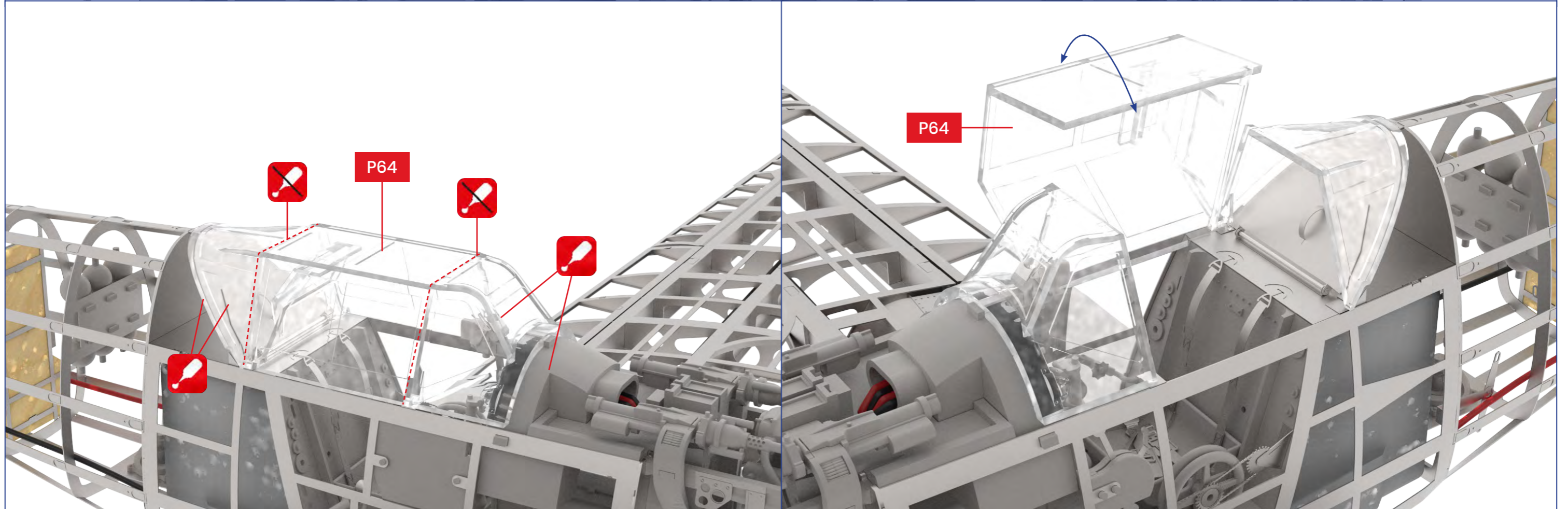
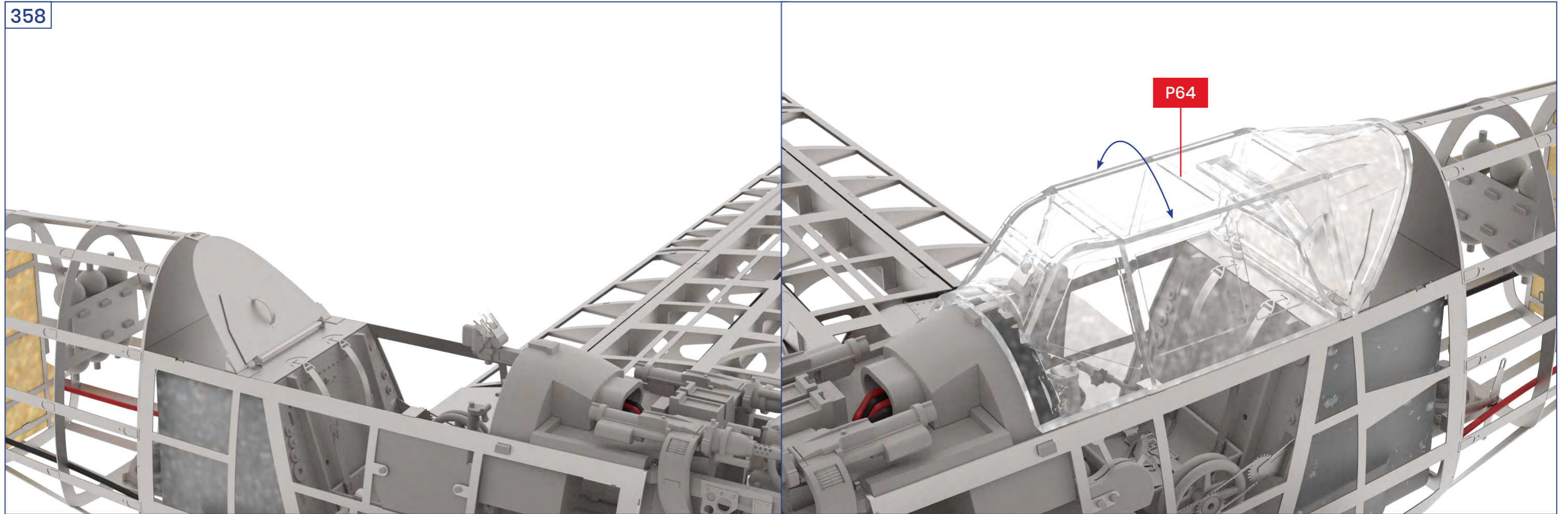
356



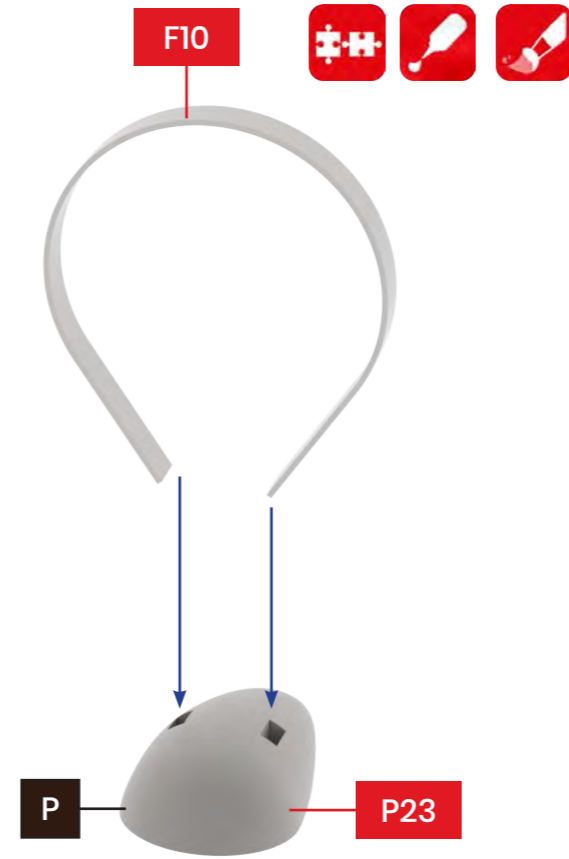
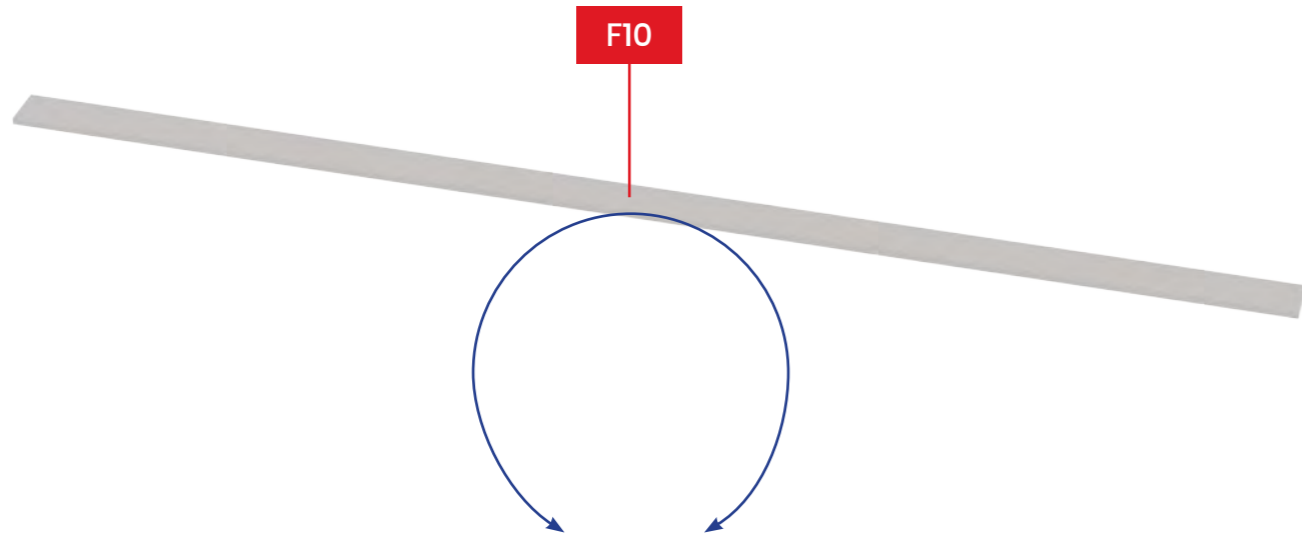
357



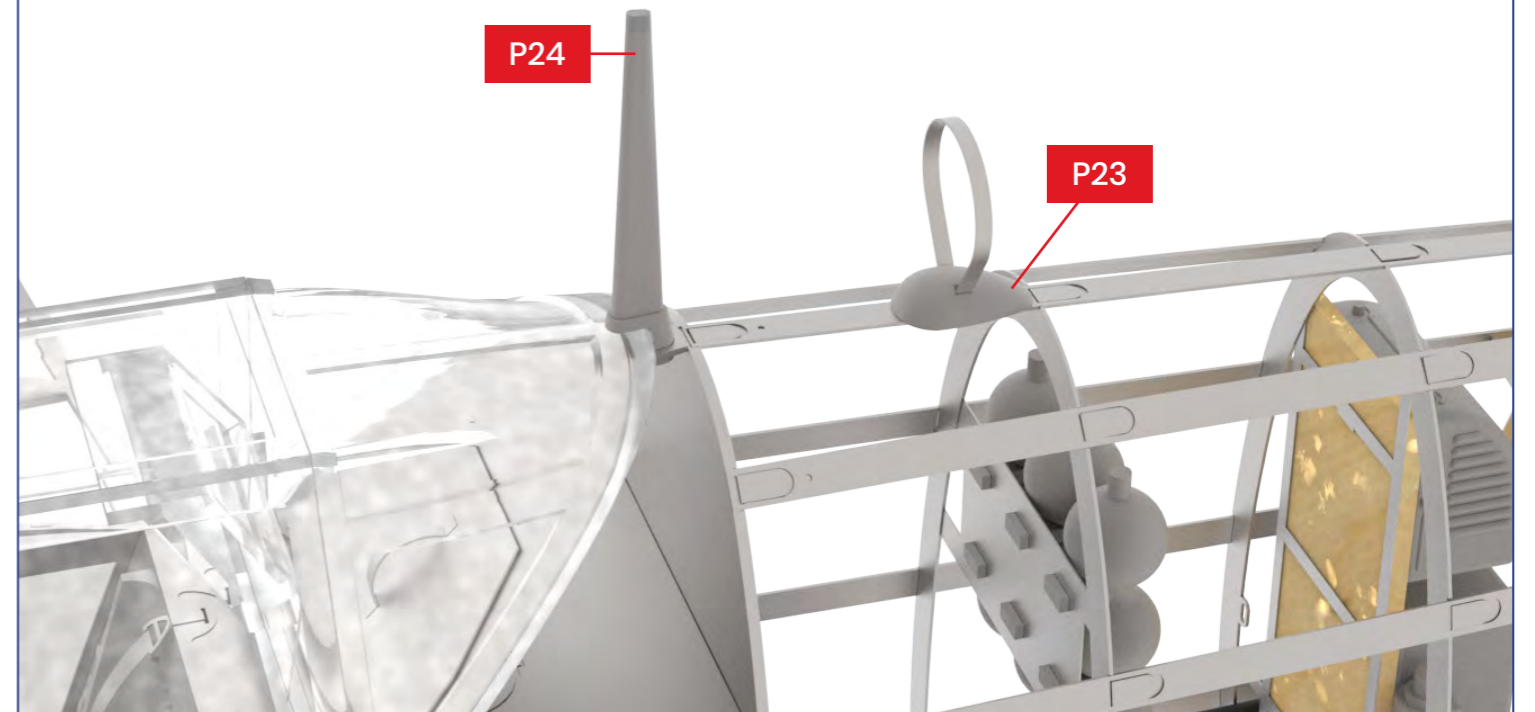
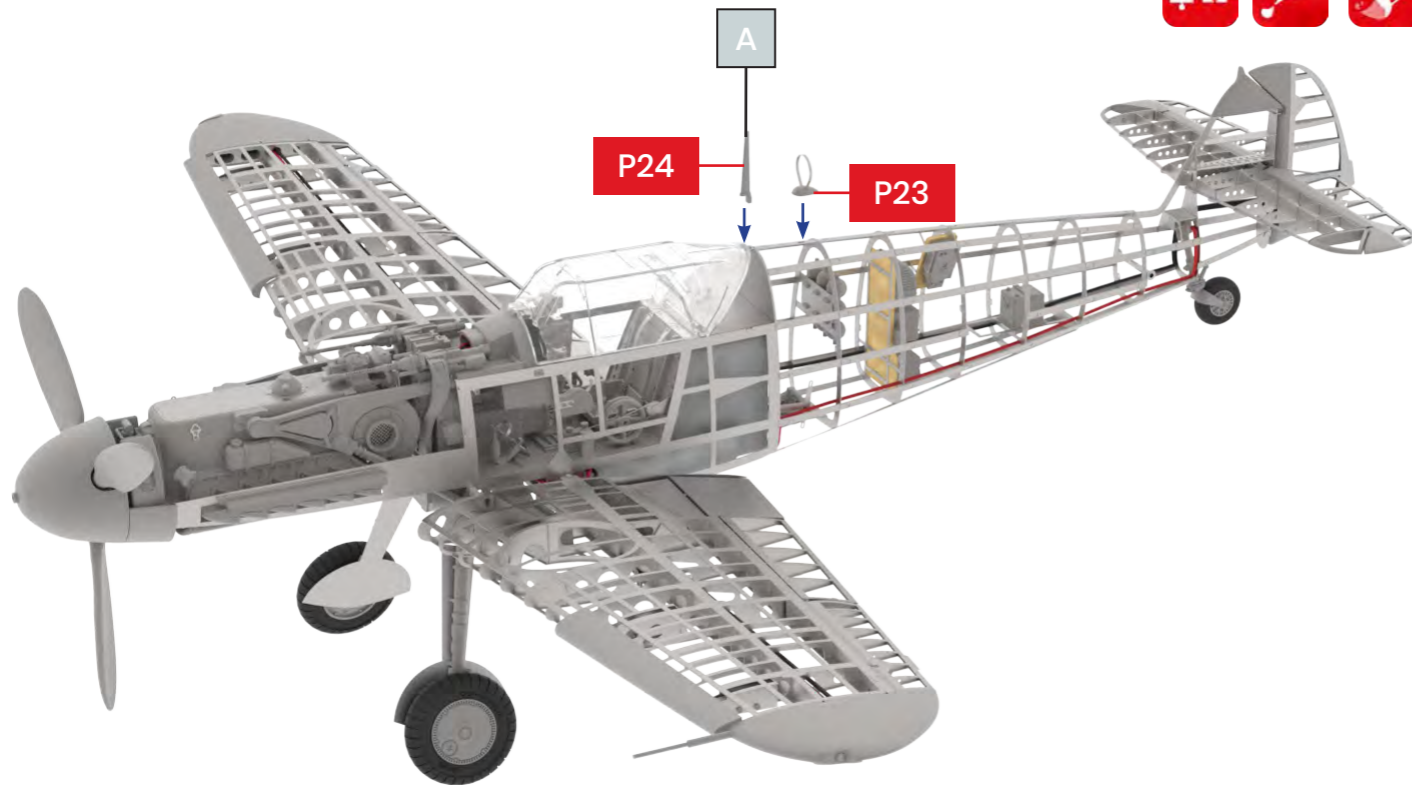
358



359



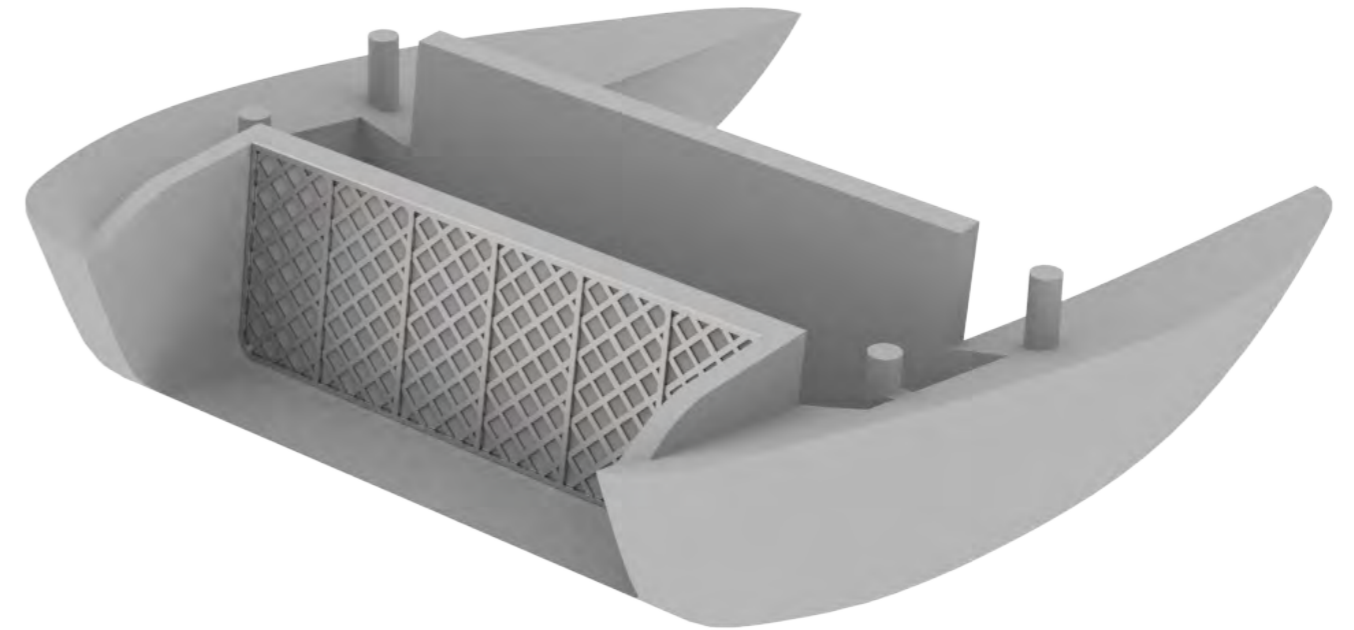
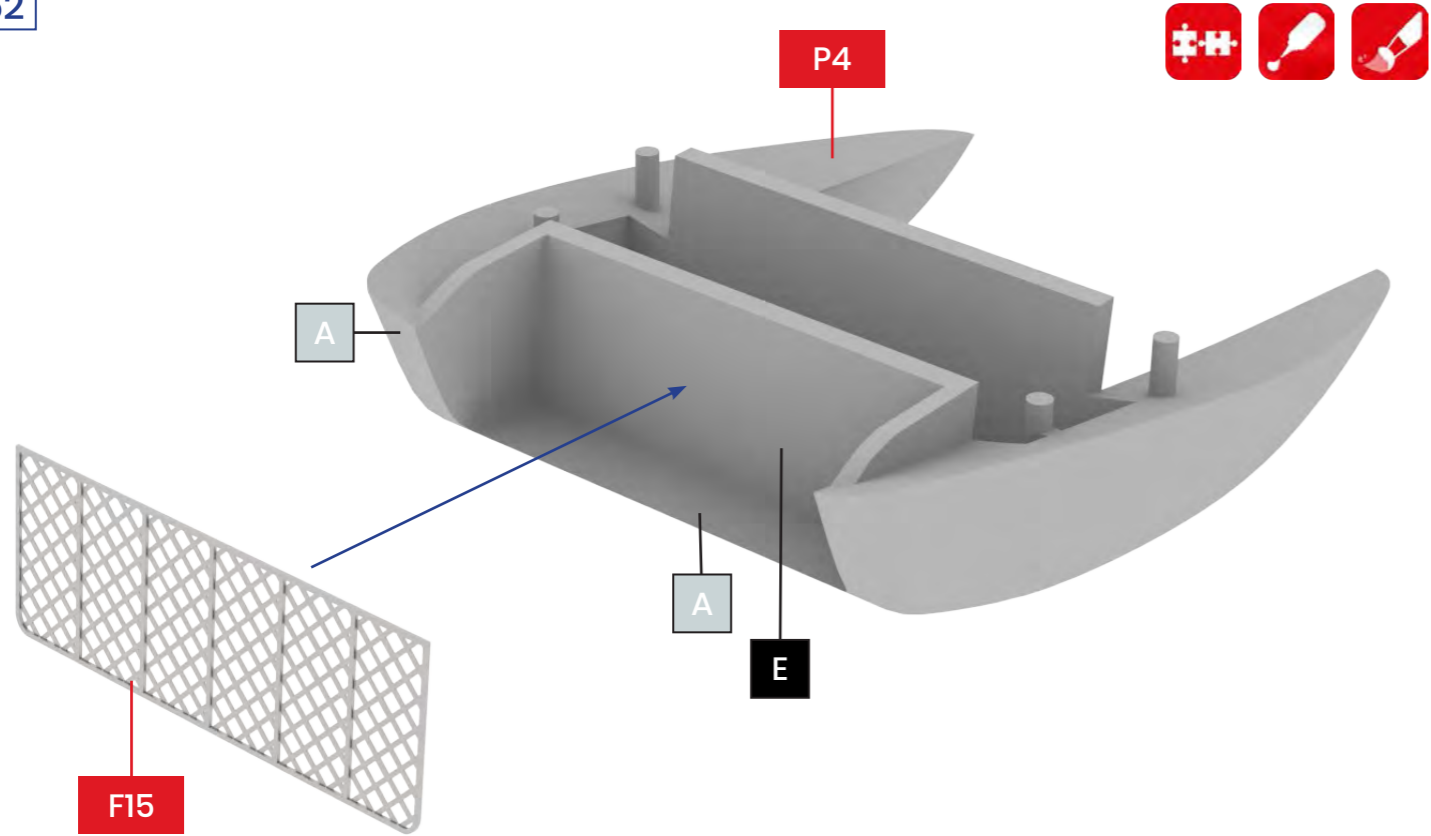
360



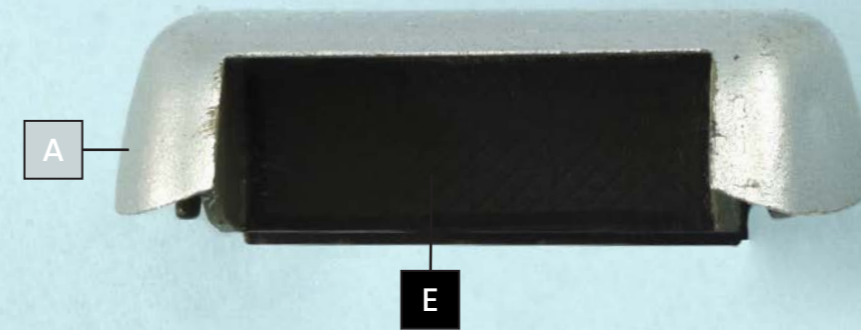
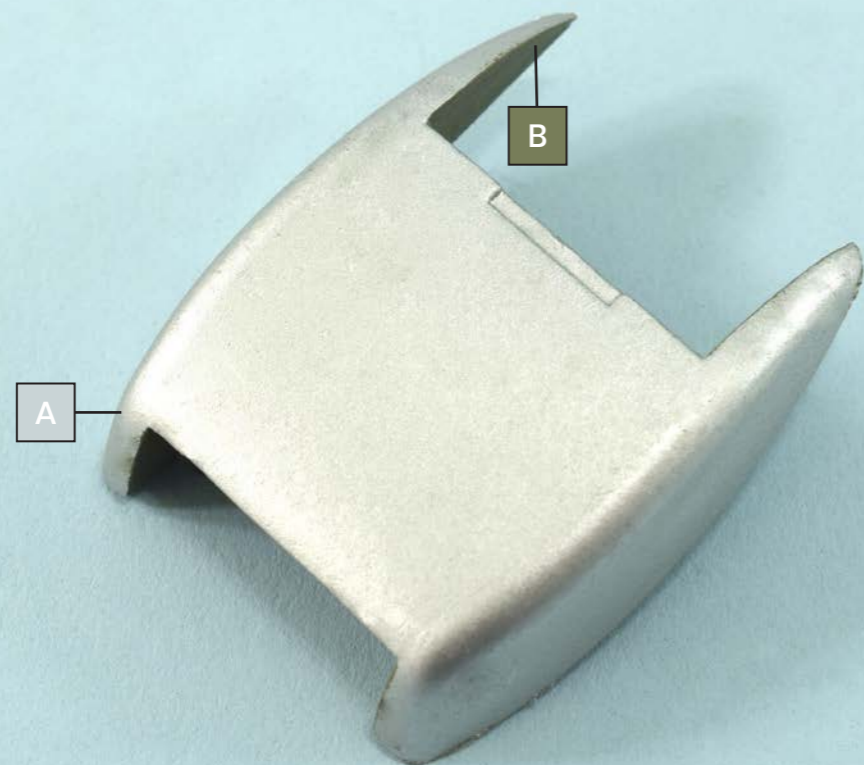
361



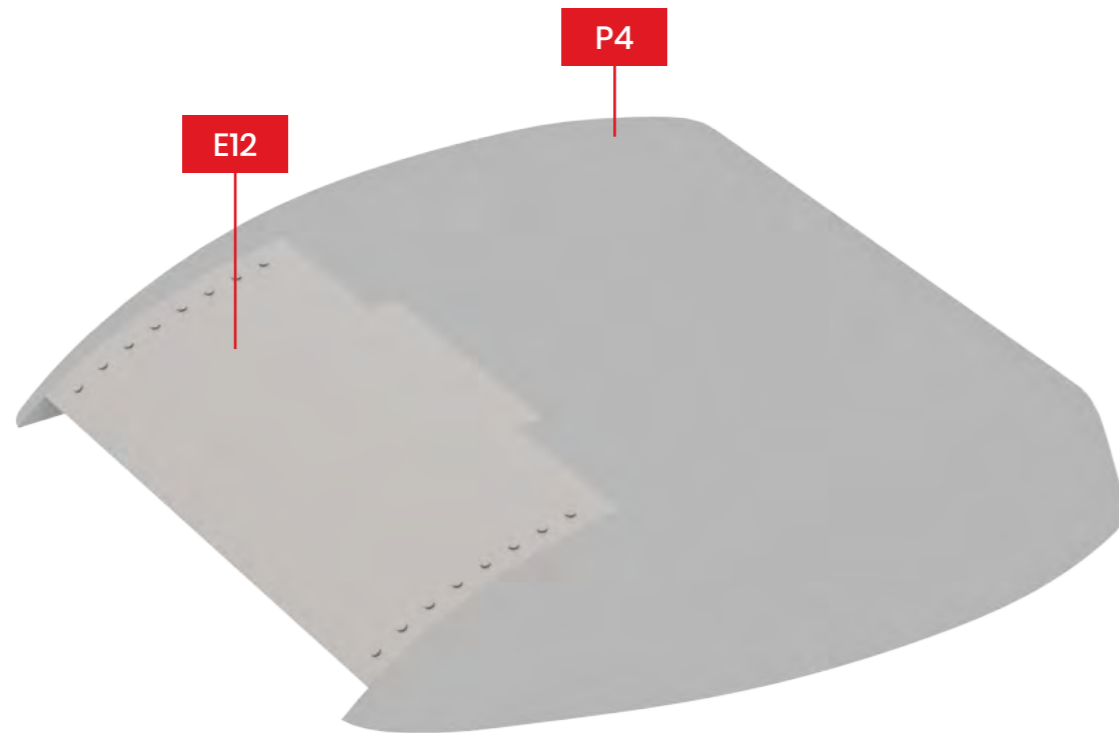
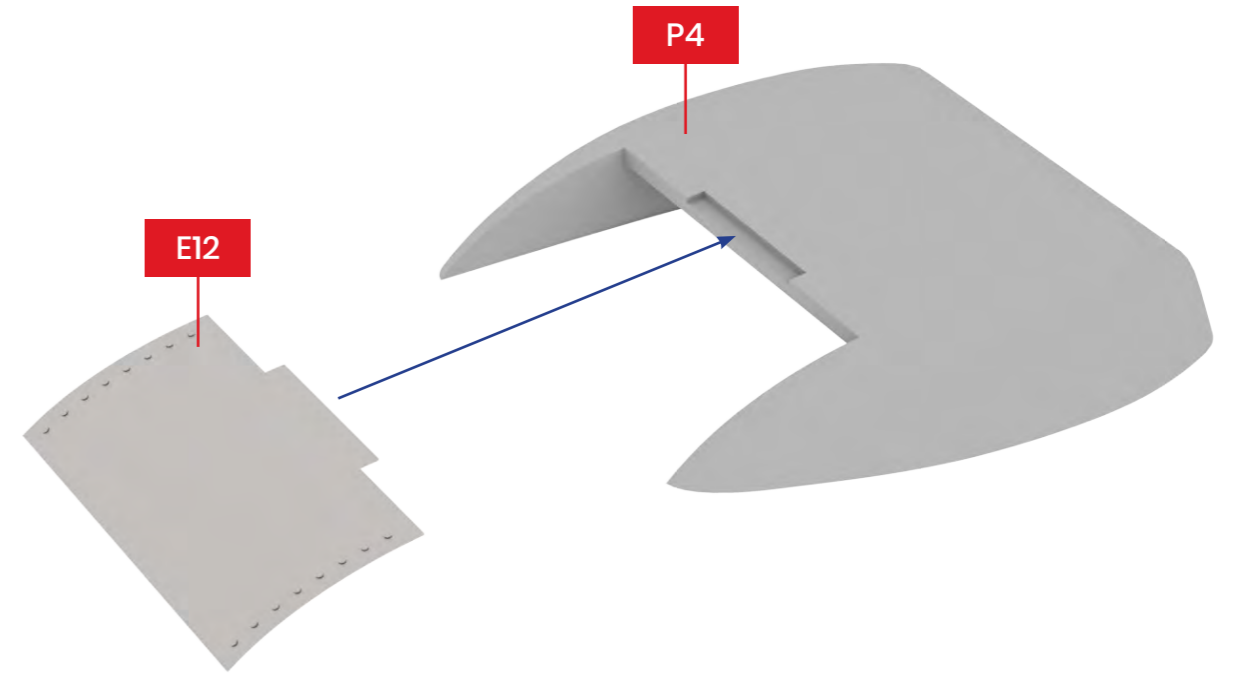
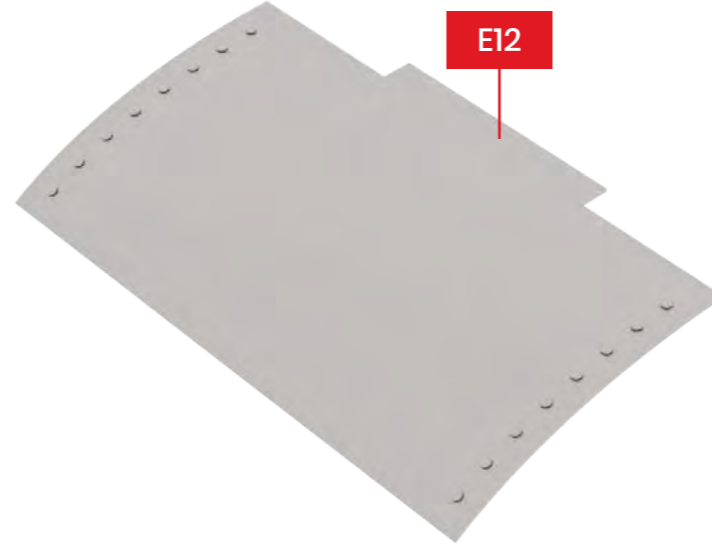
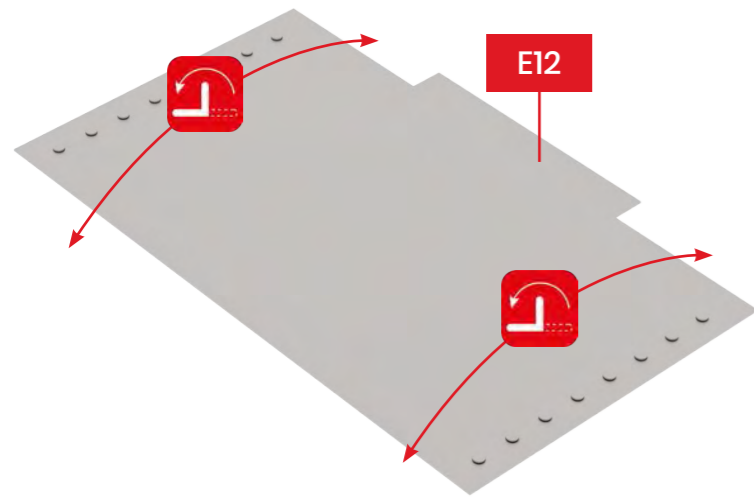
362



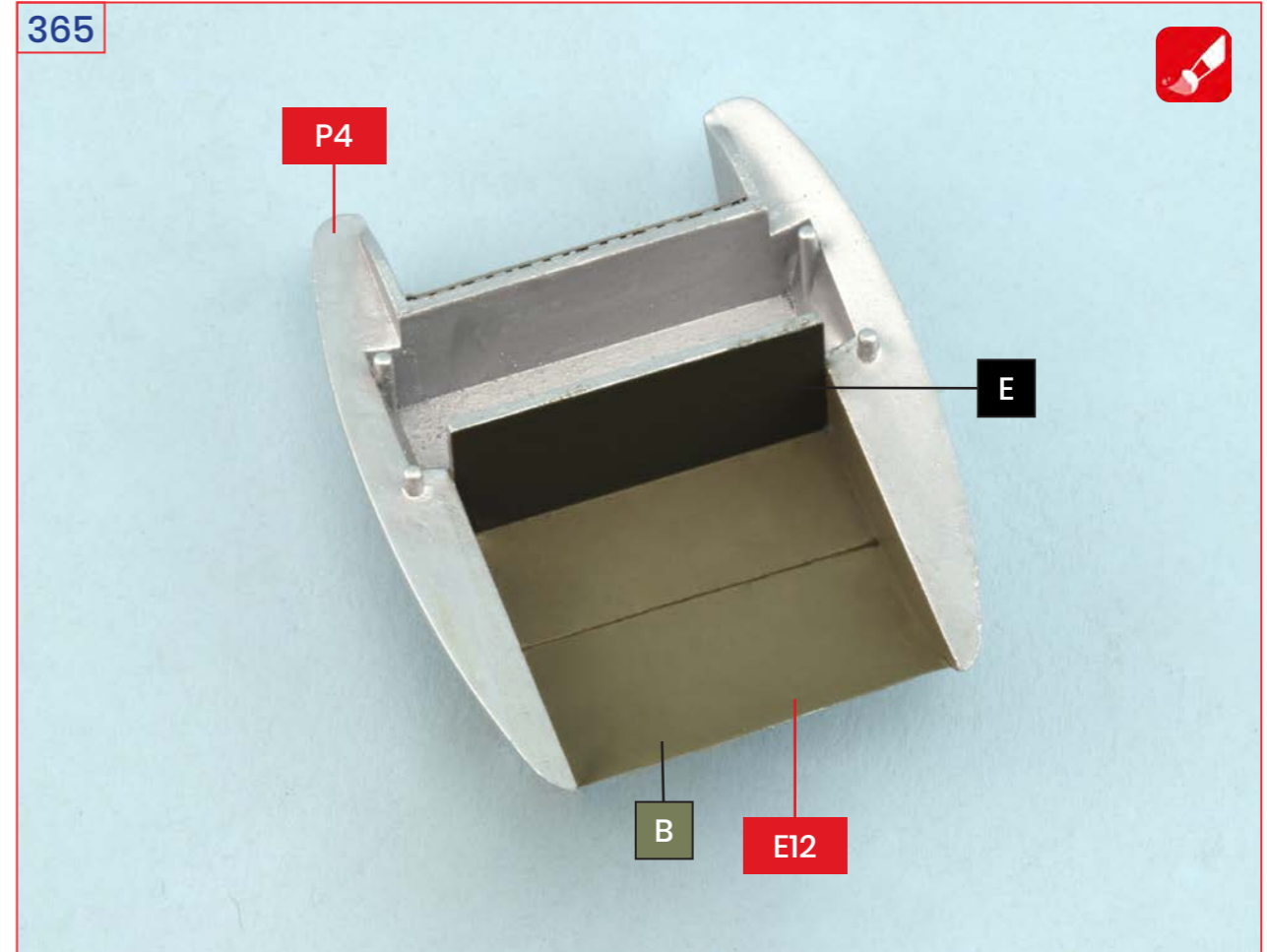
363



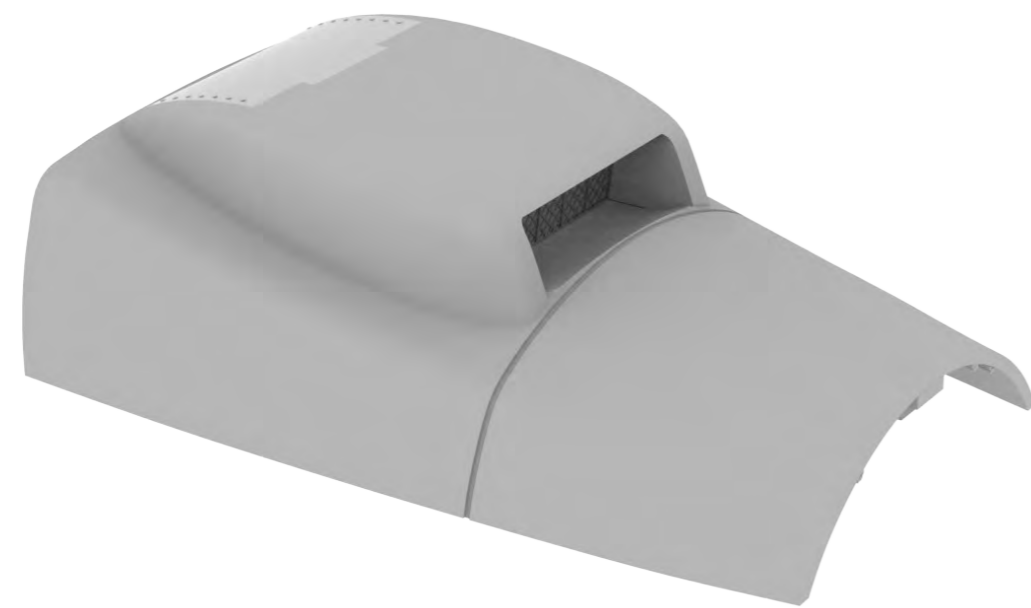
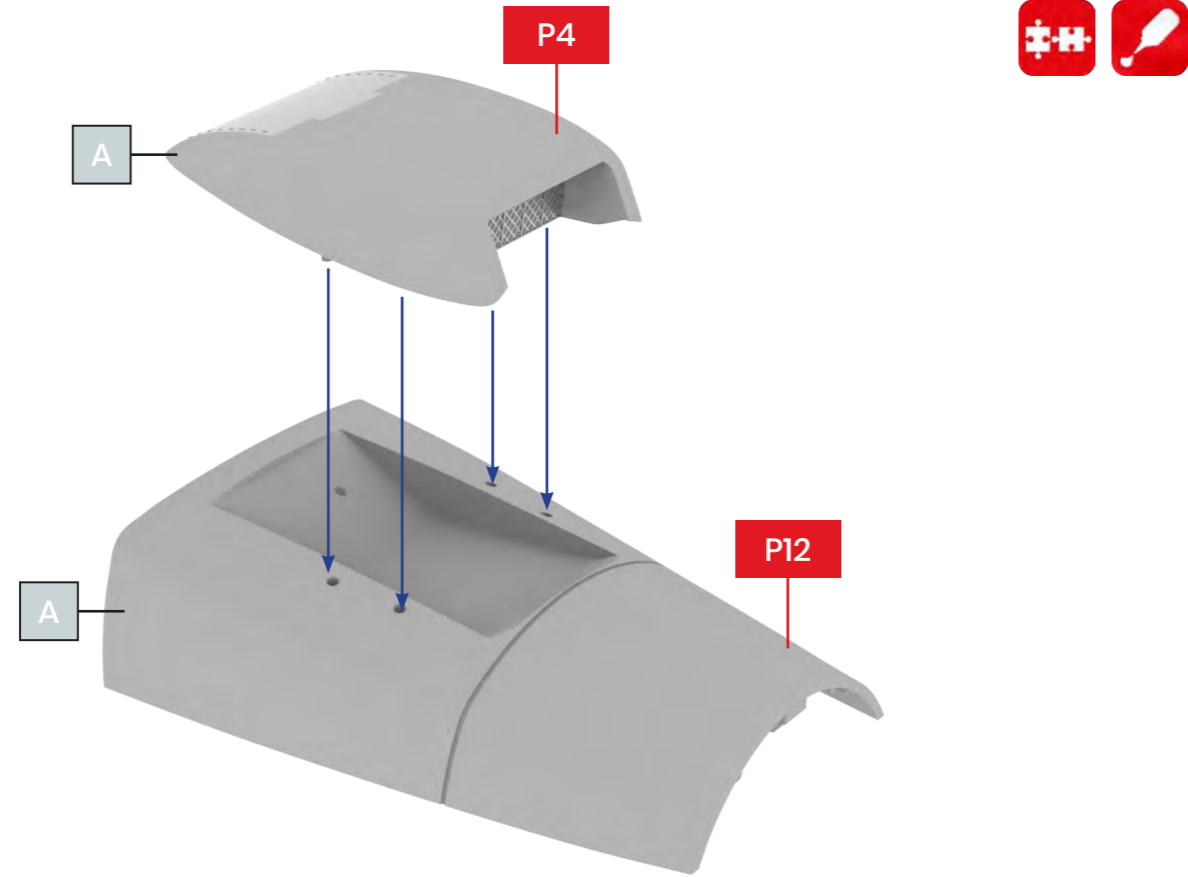
364



365



366



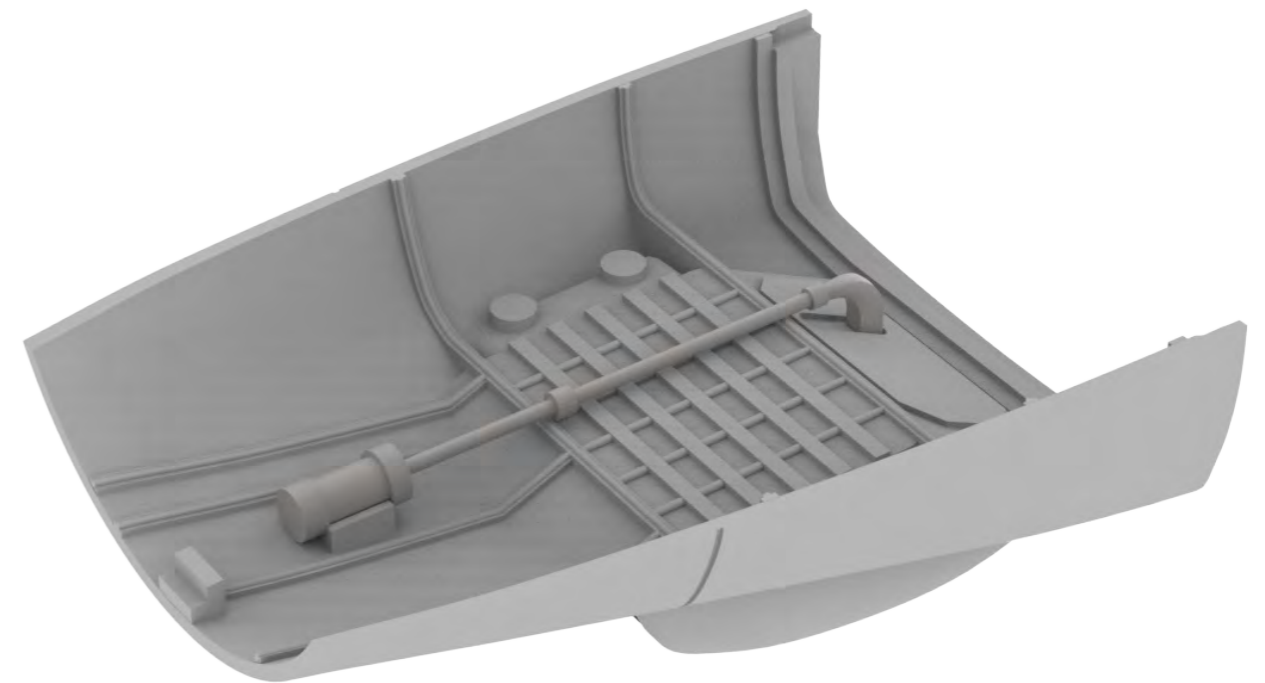
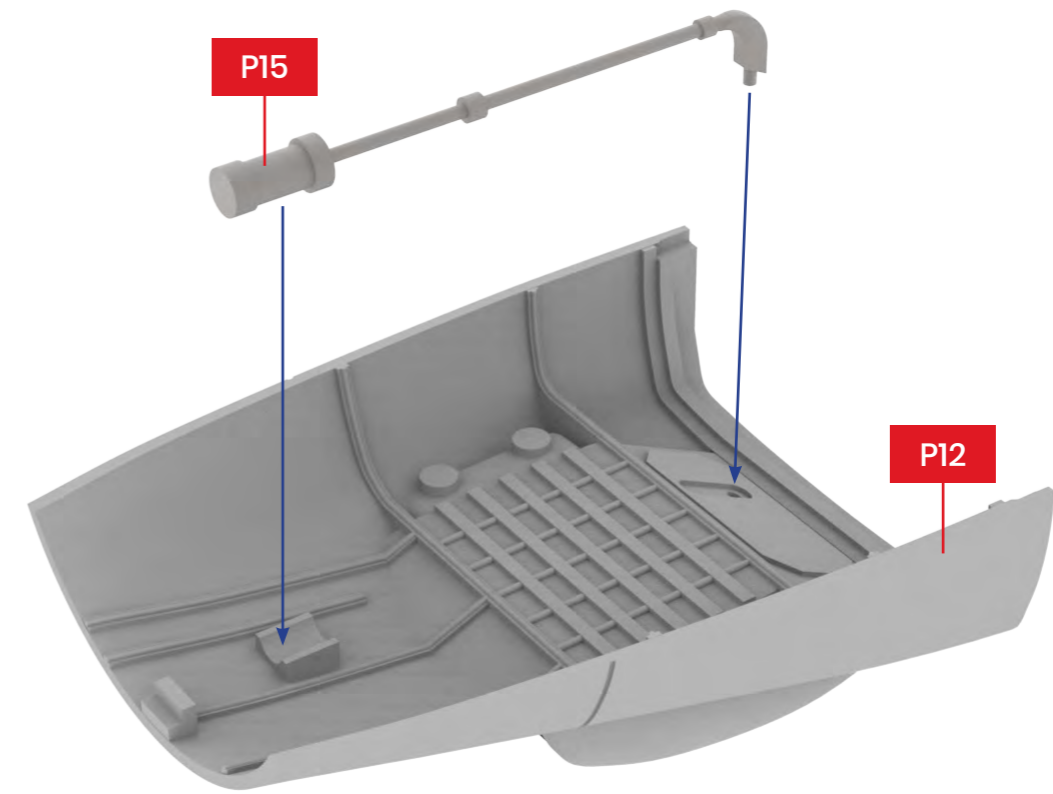
367



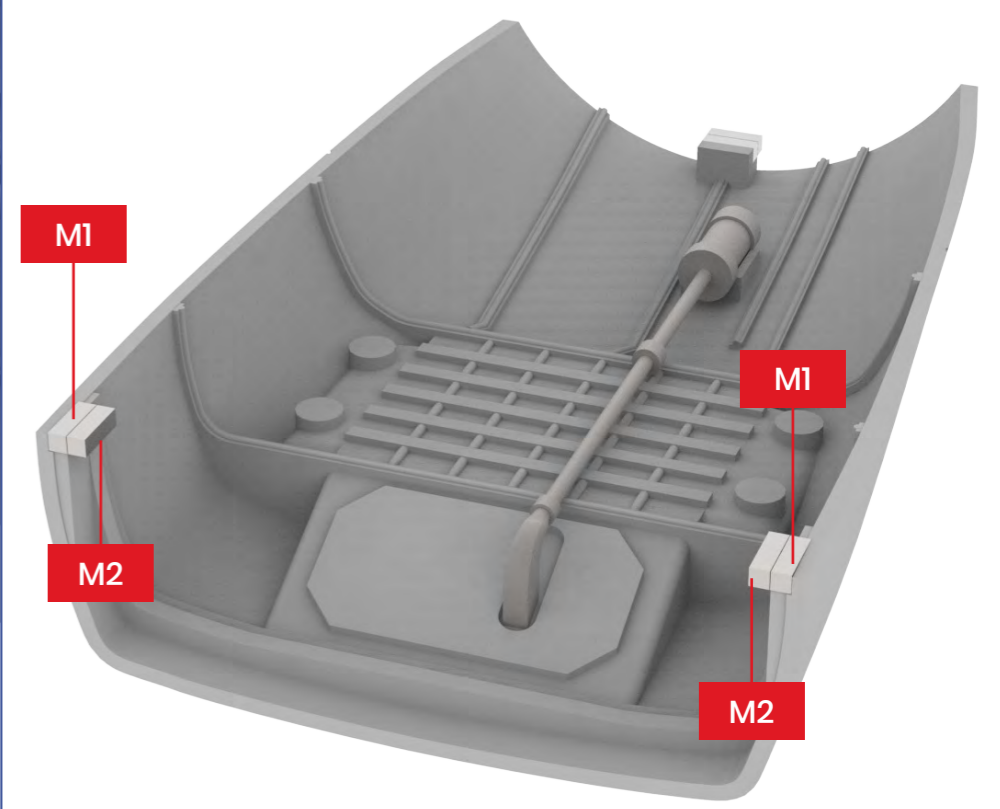
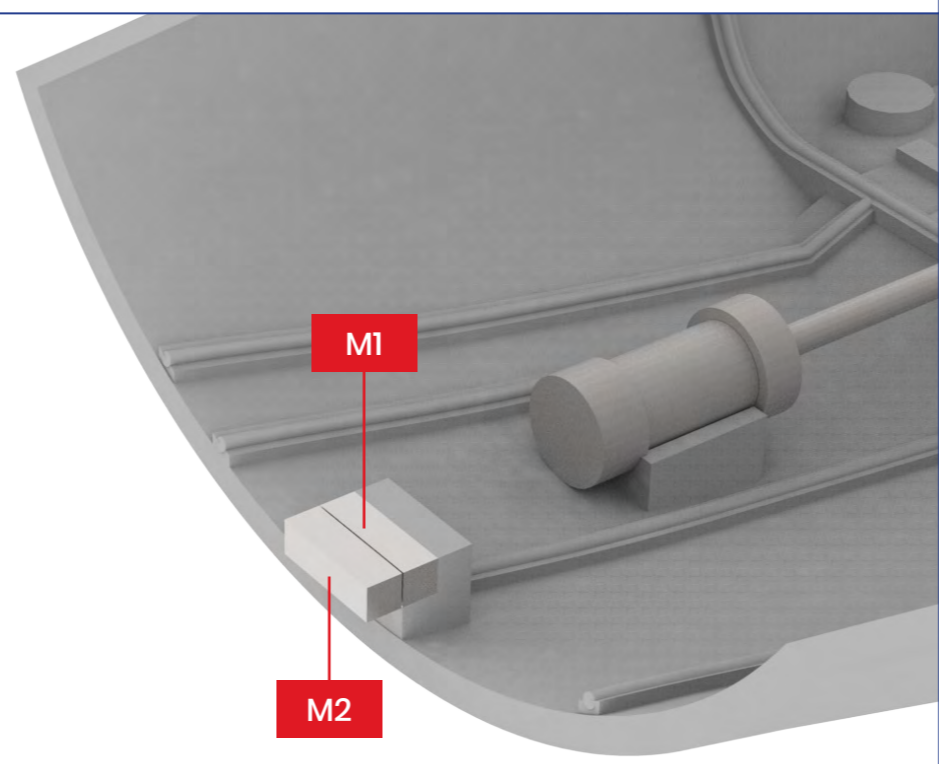
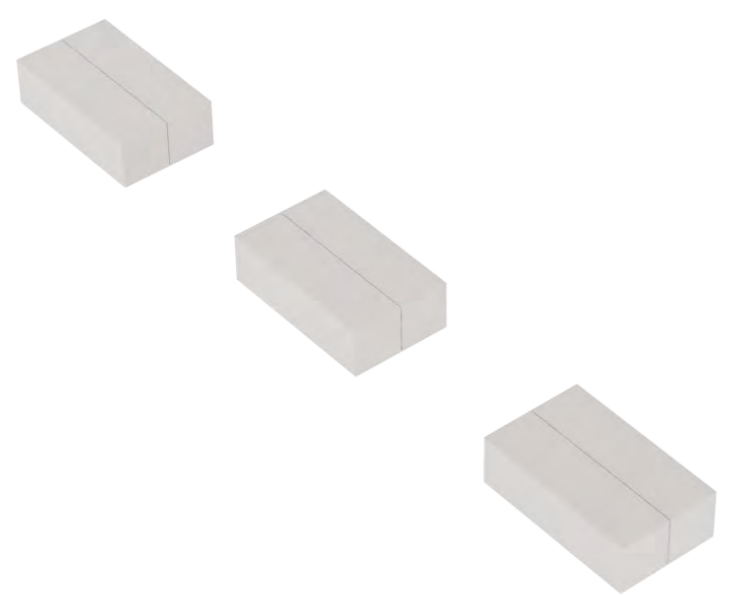
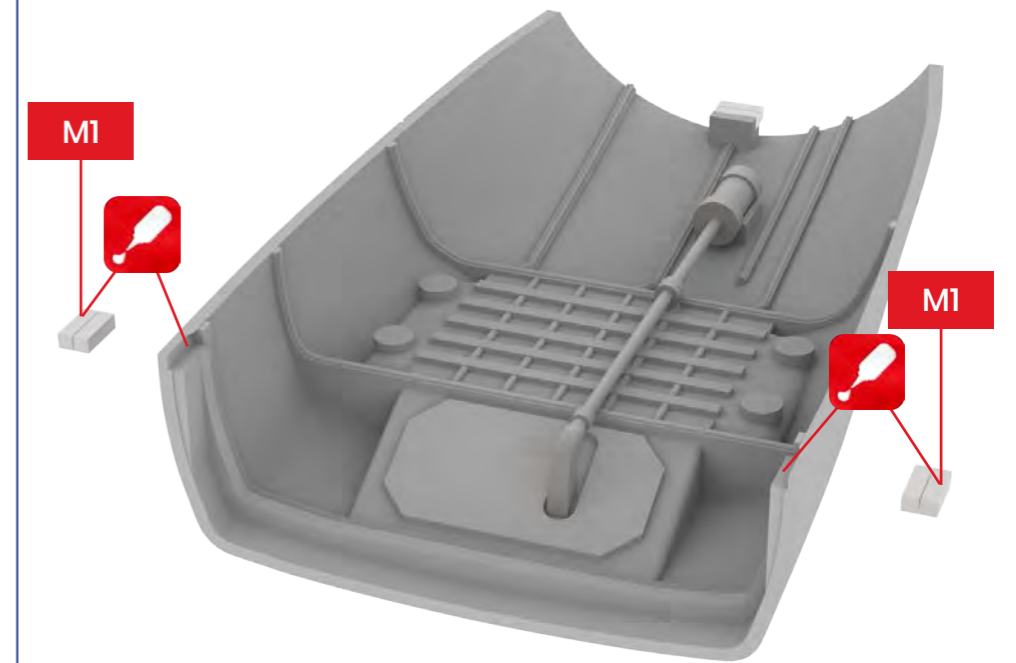
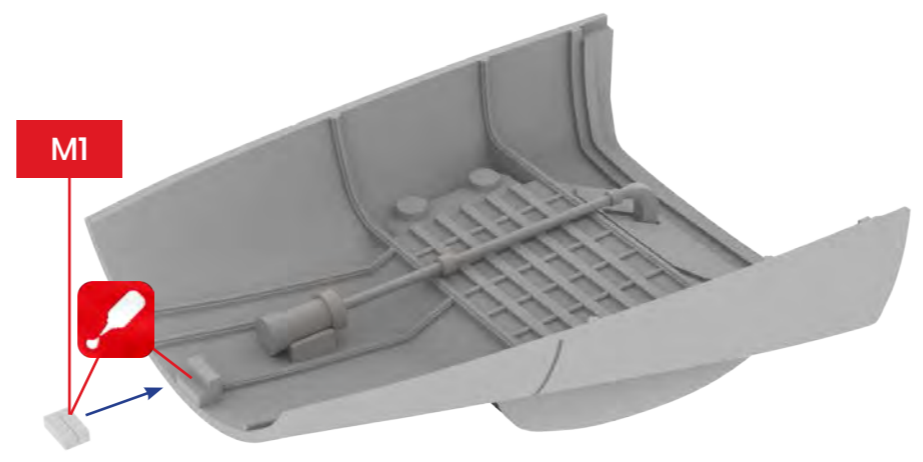
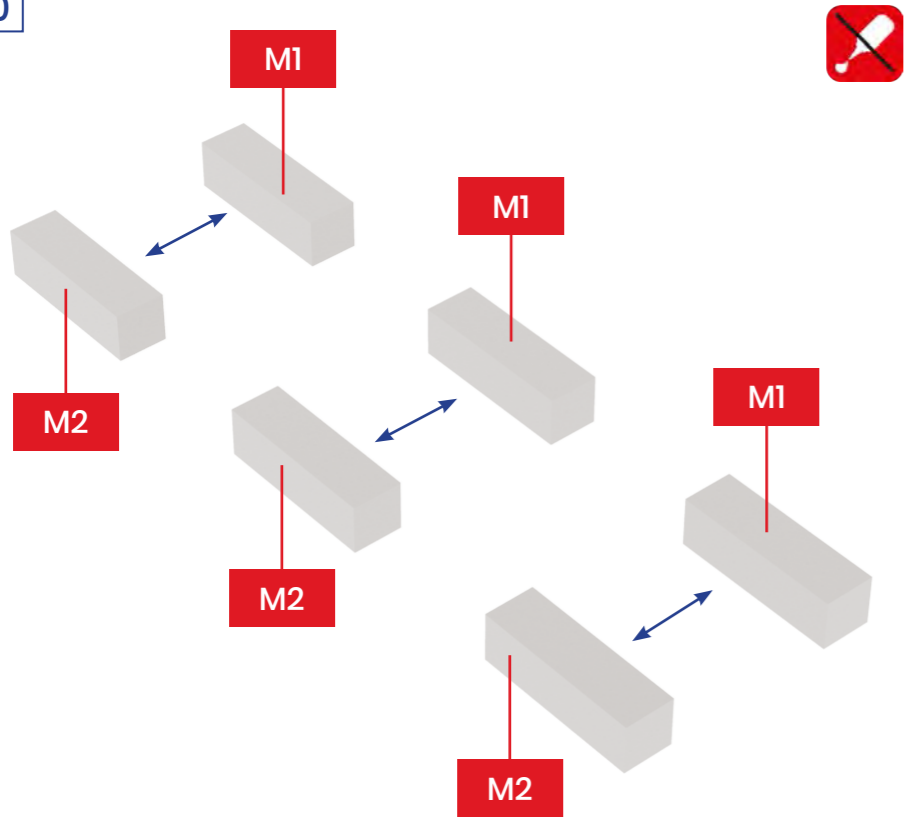
368



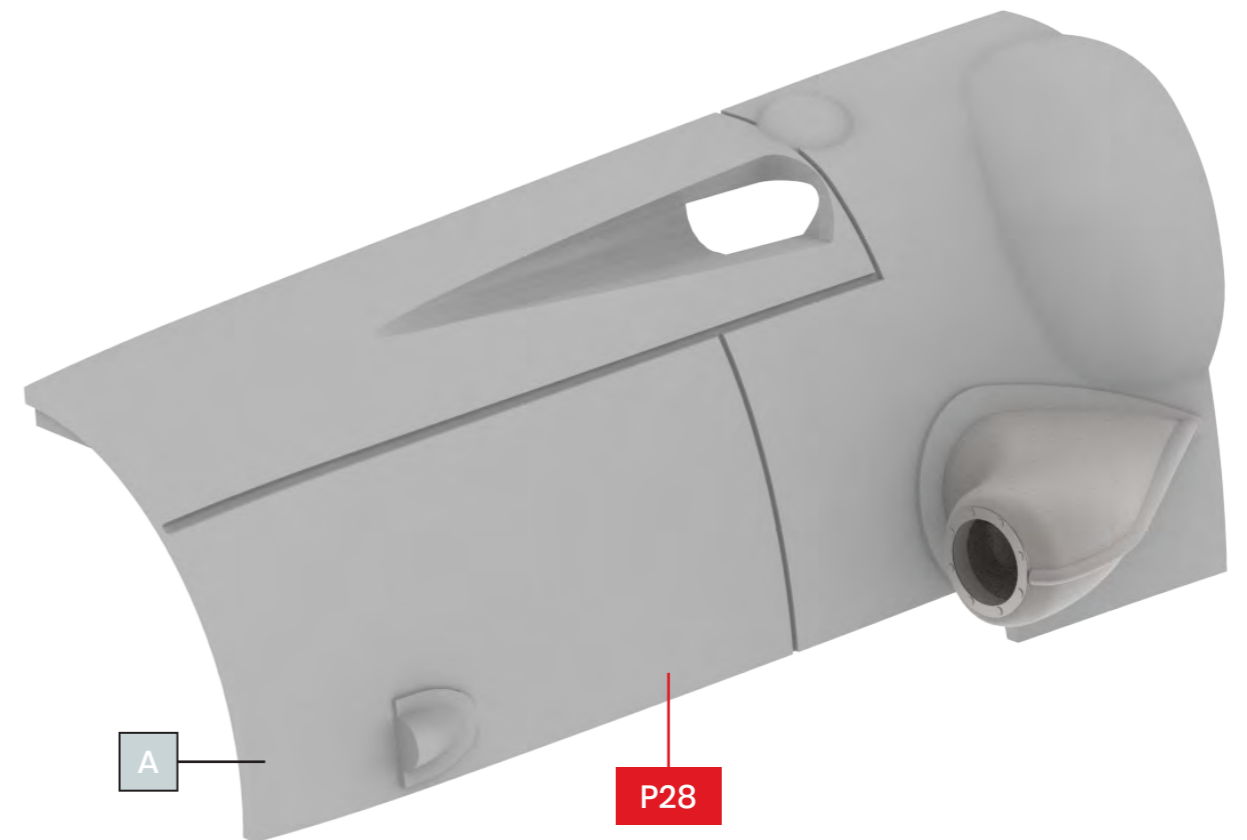
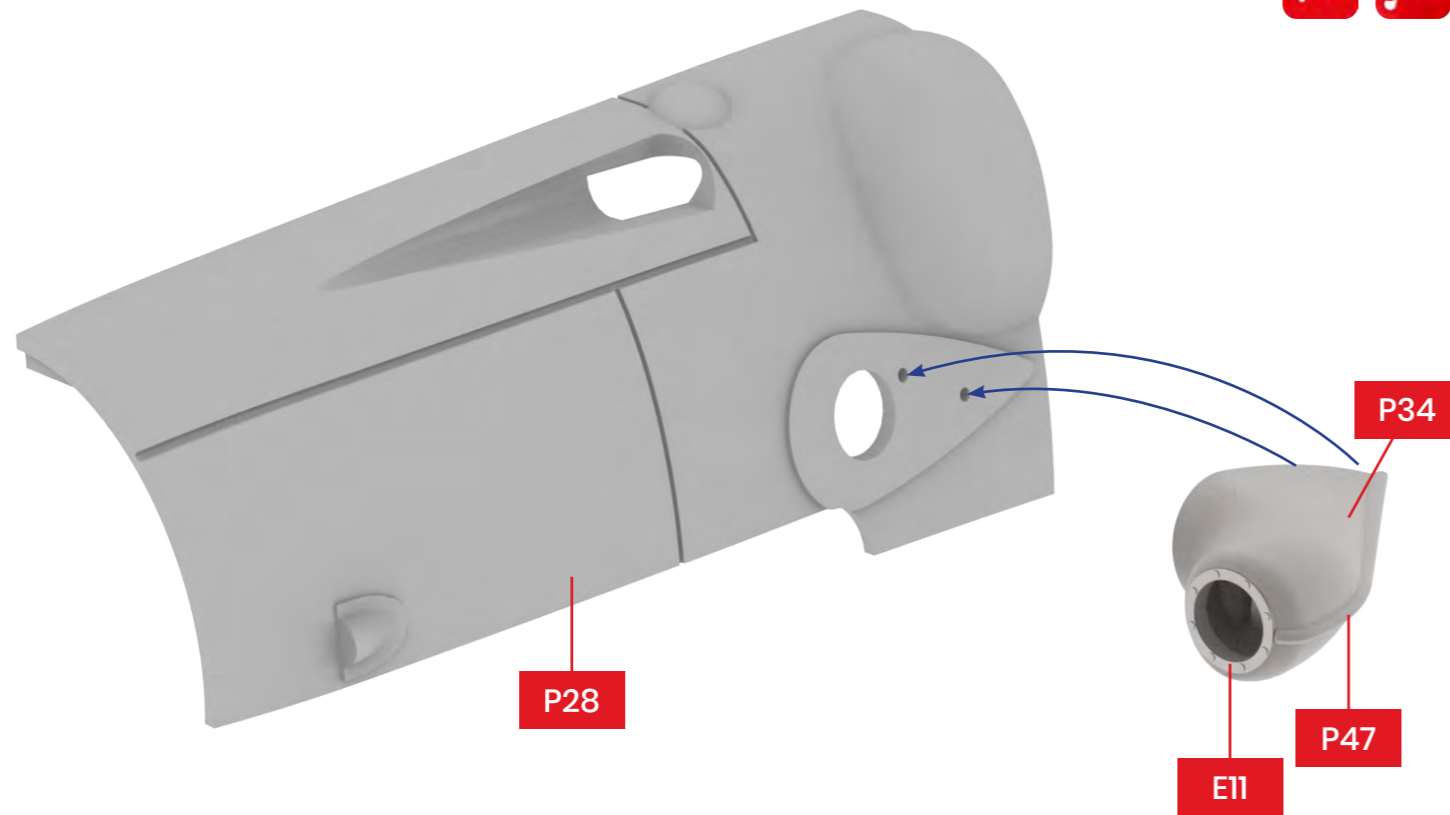
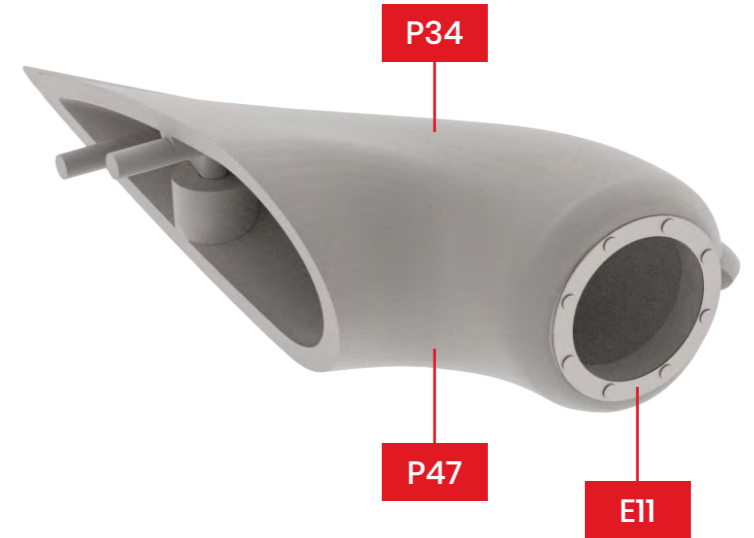
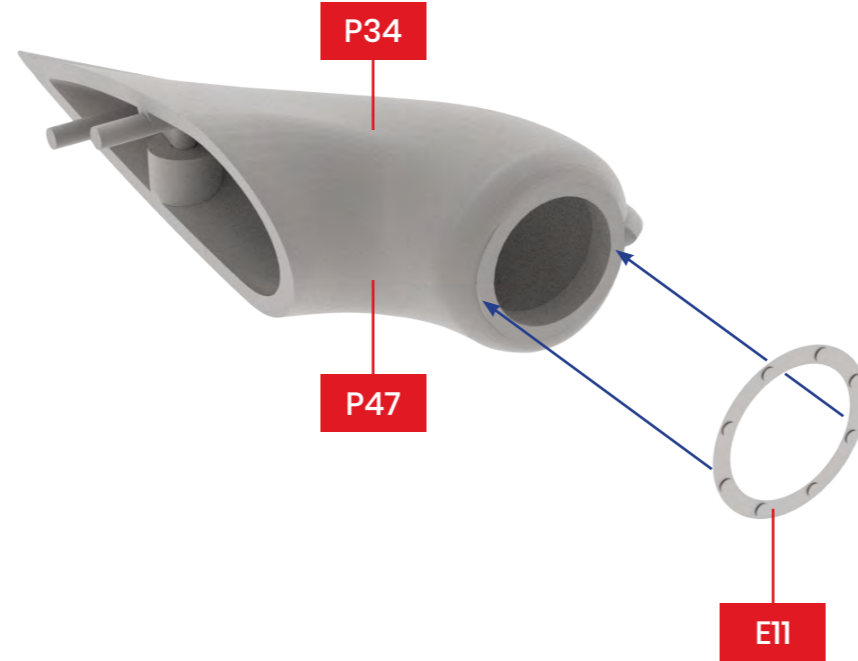
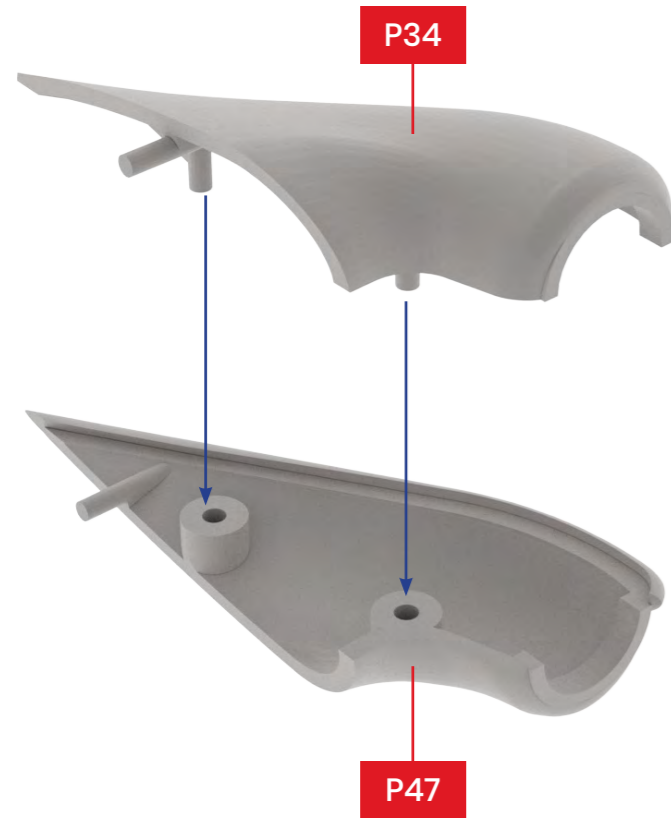
369



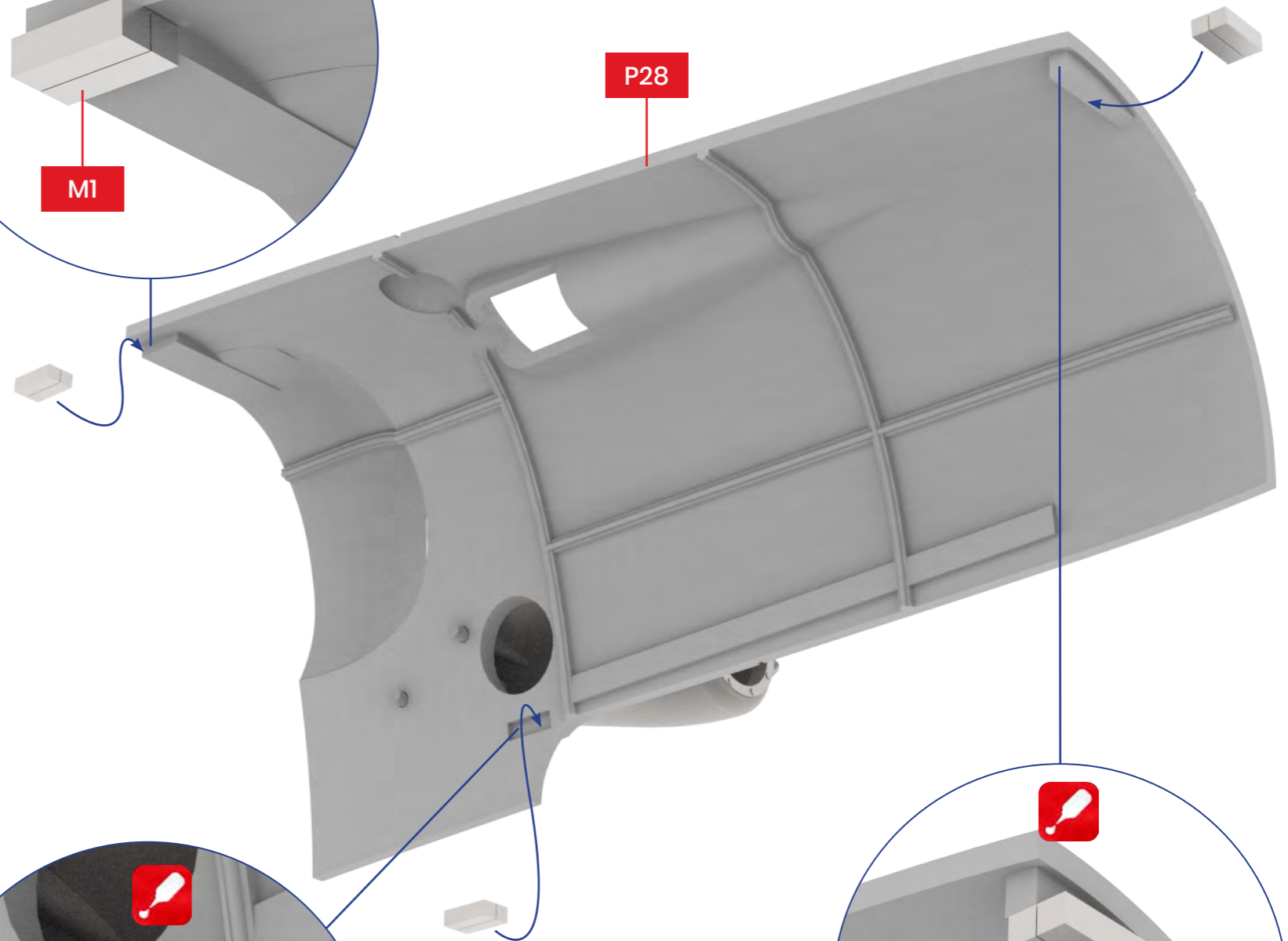
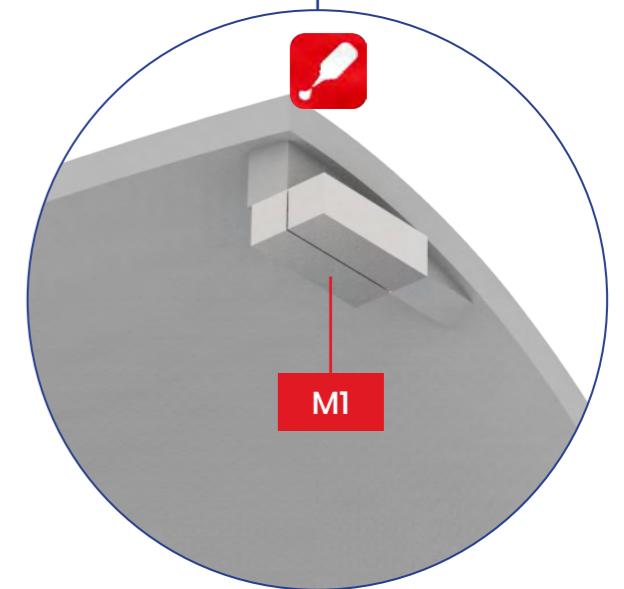
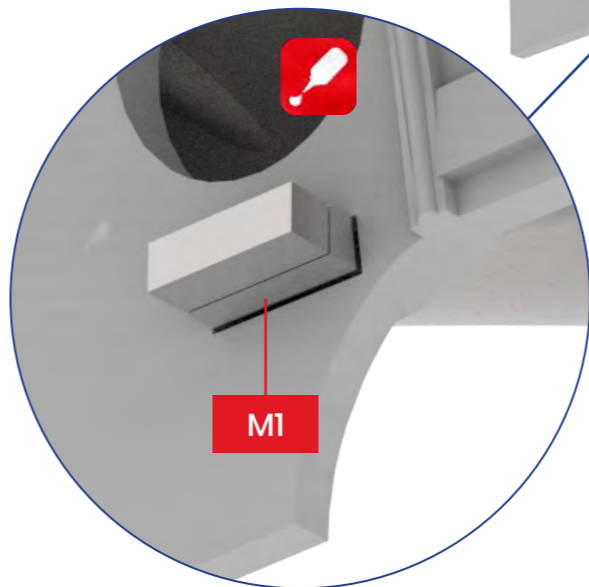
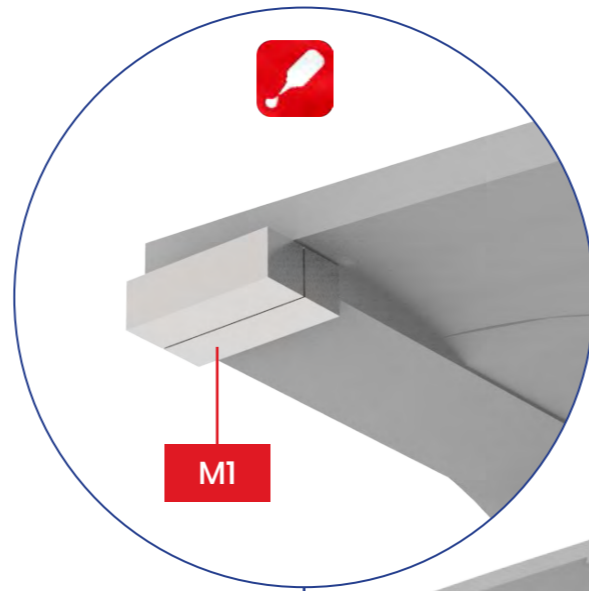
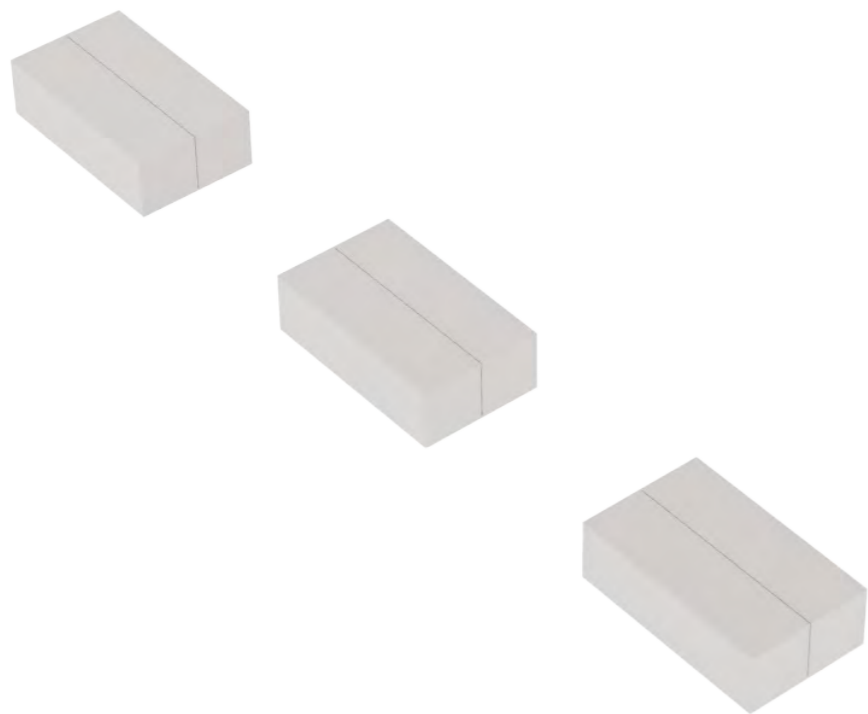
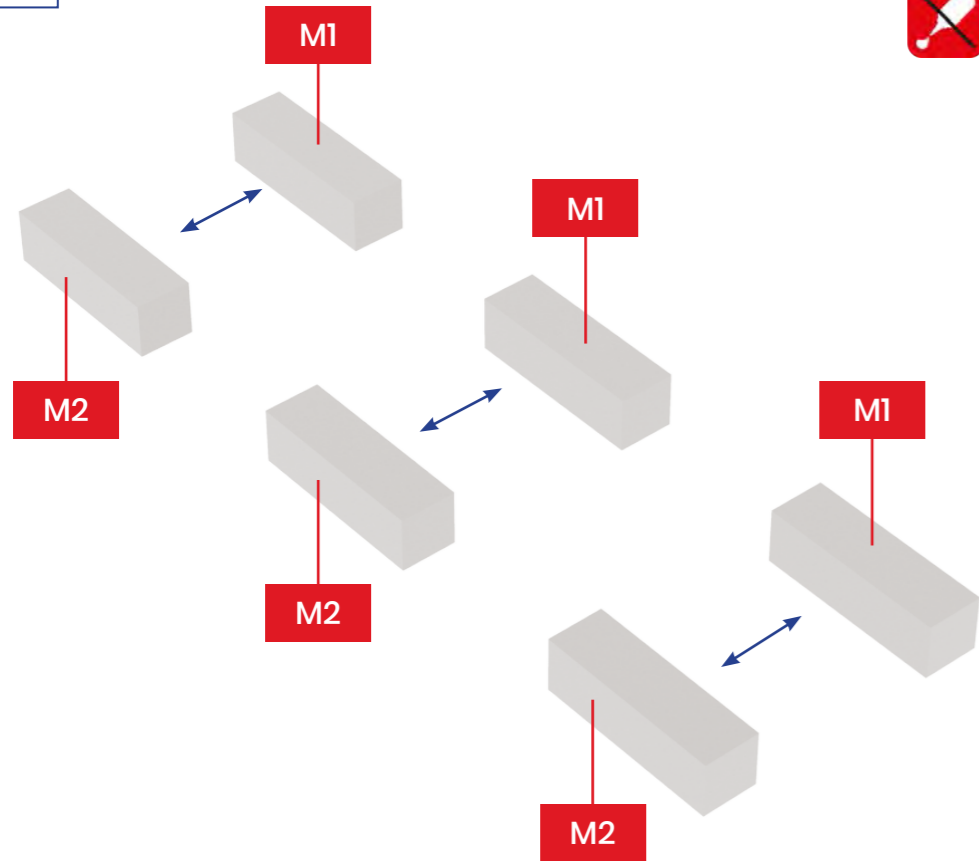
370



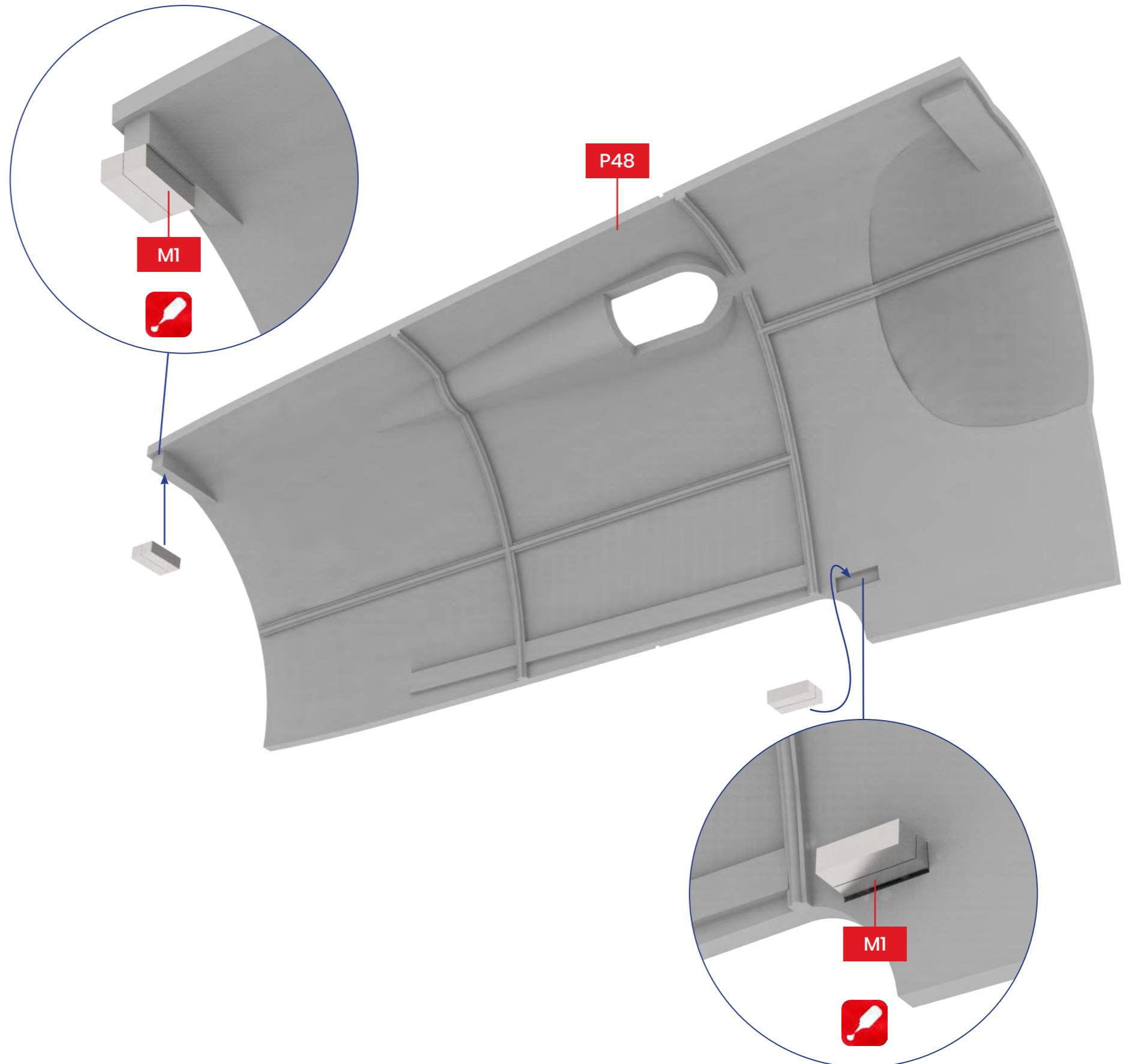
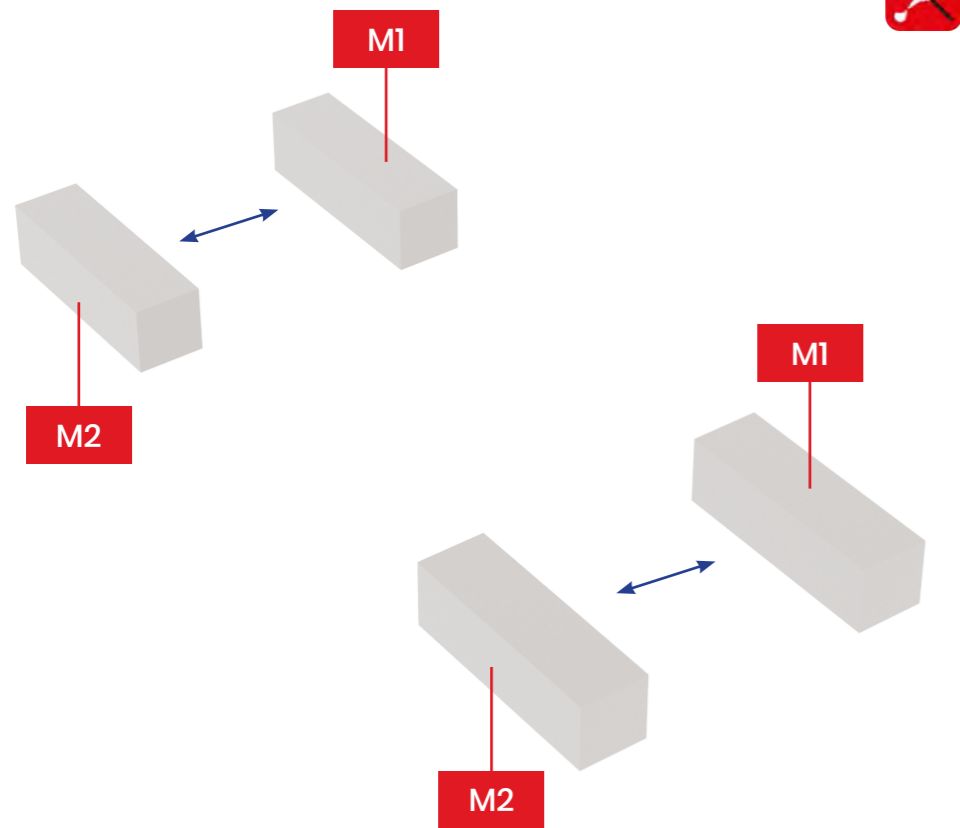
371



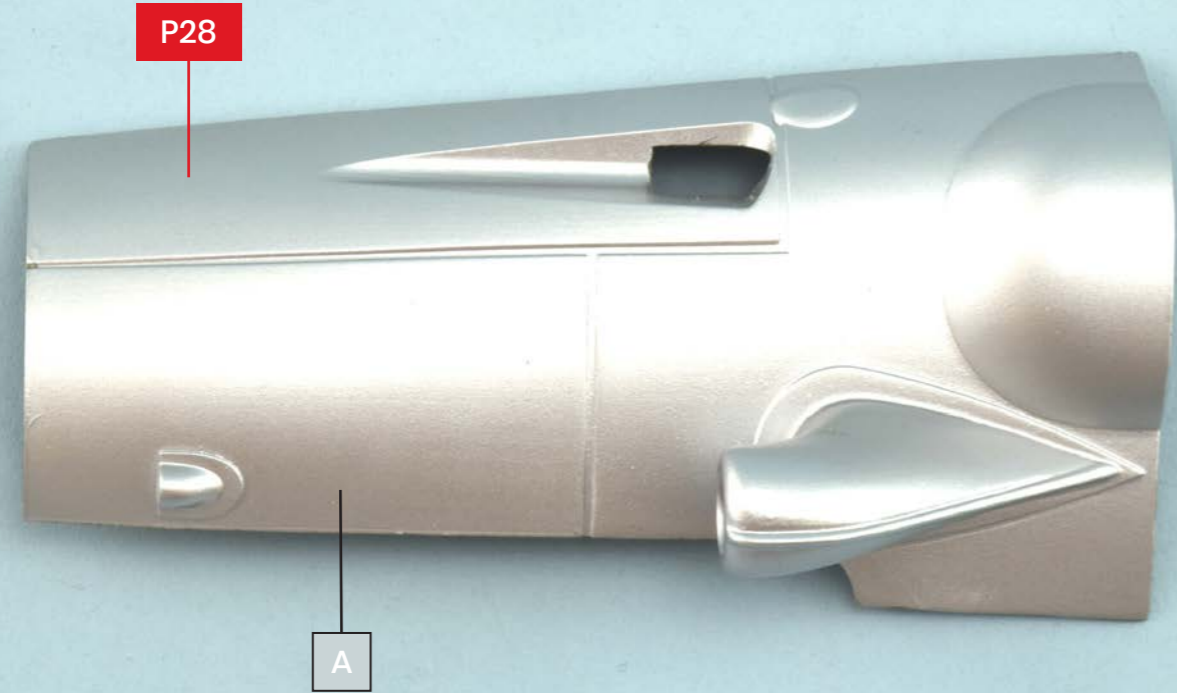
372



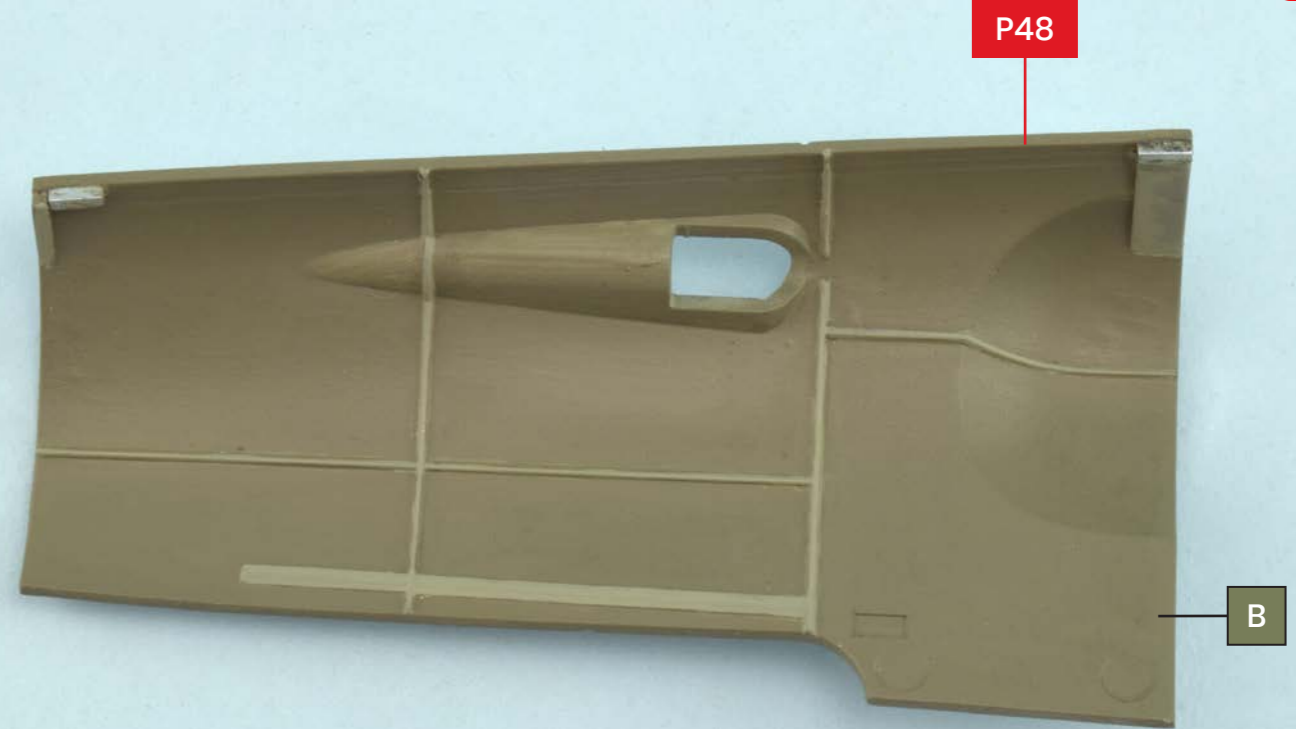
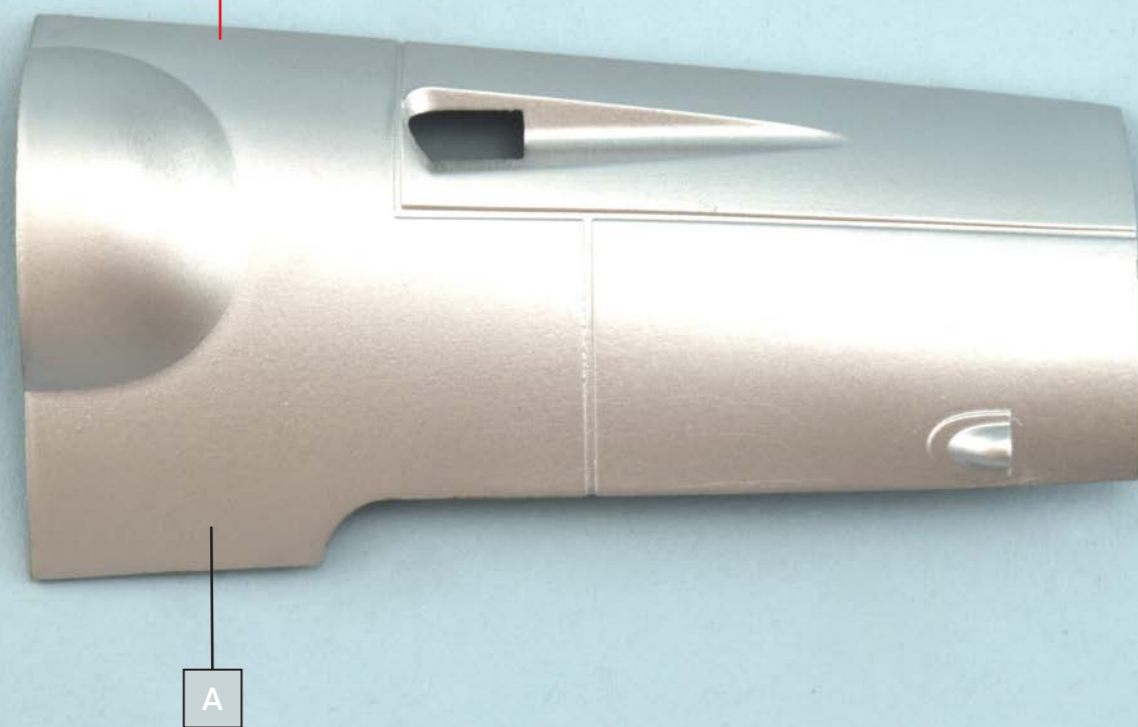
373



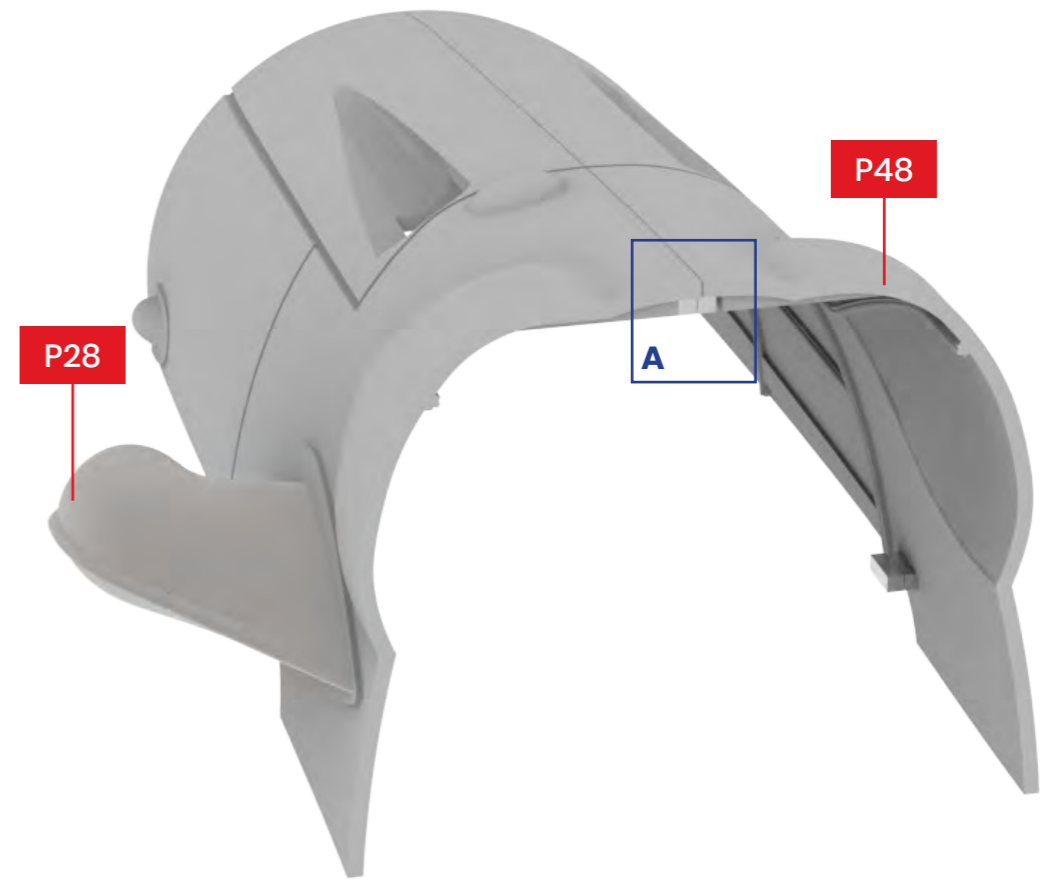
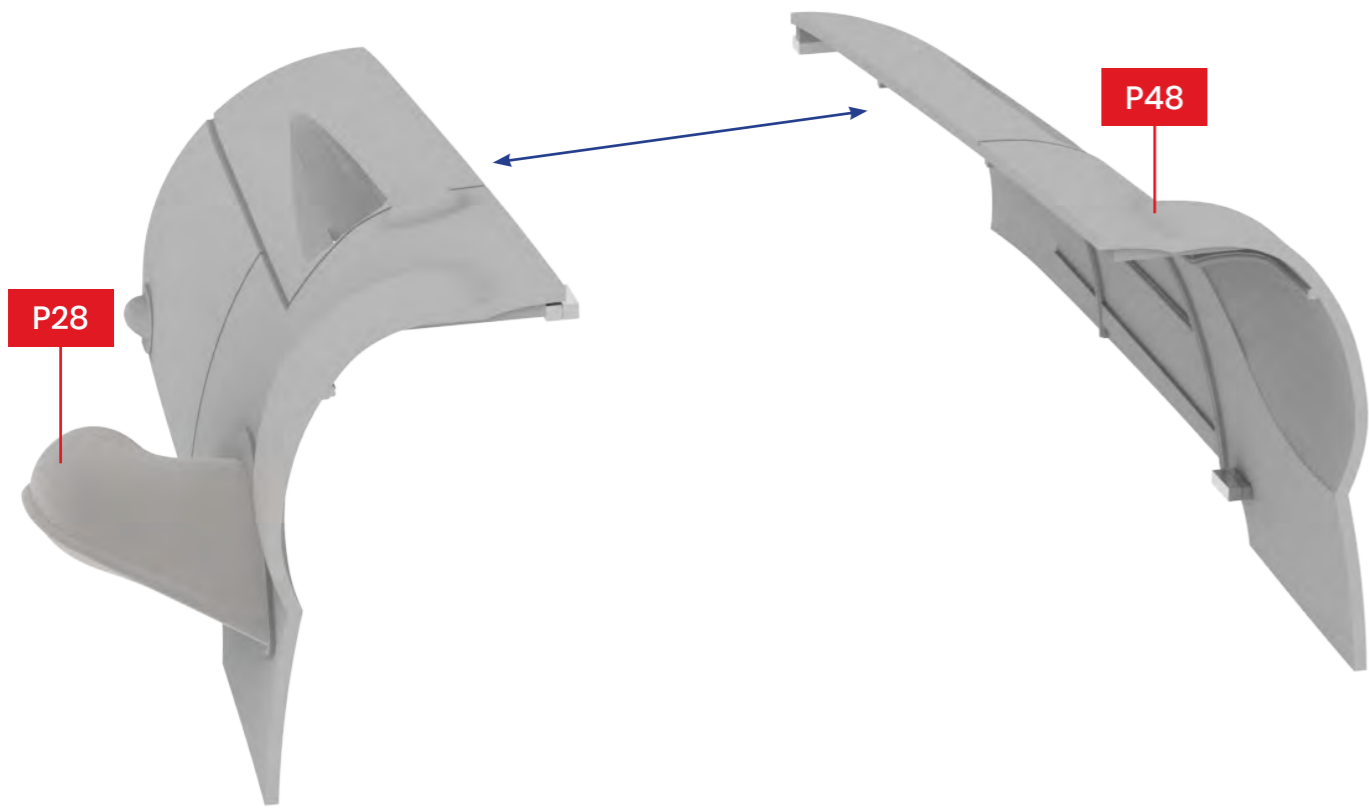
374



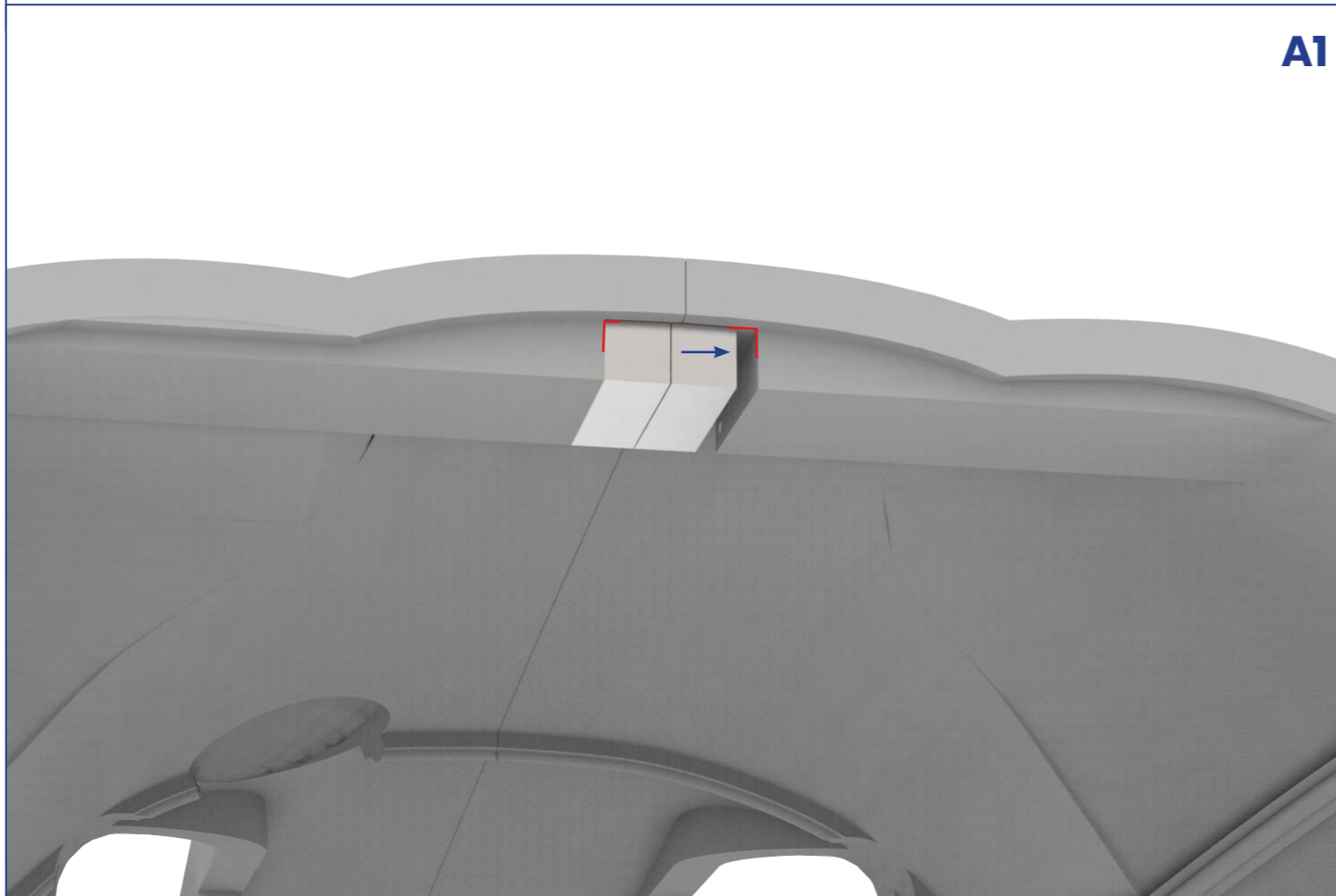
P48



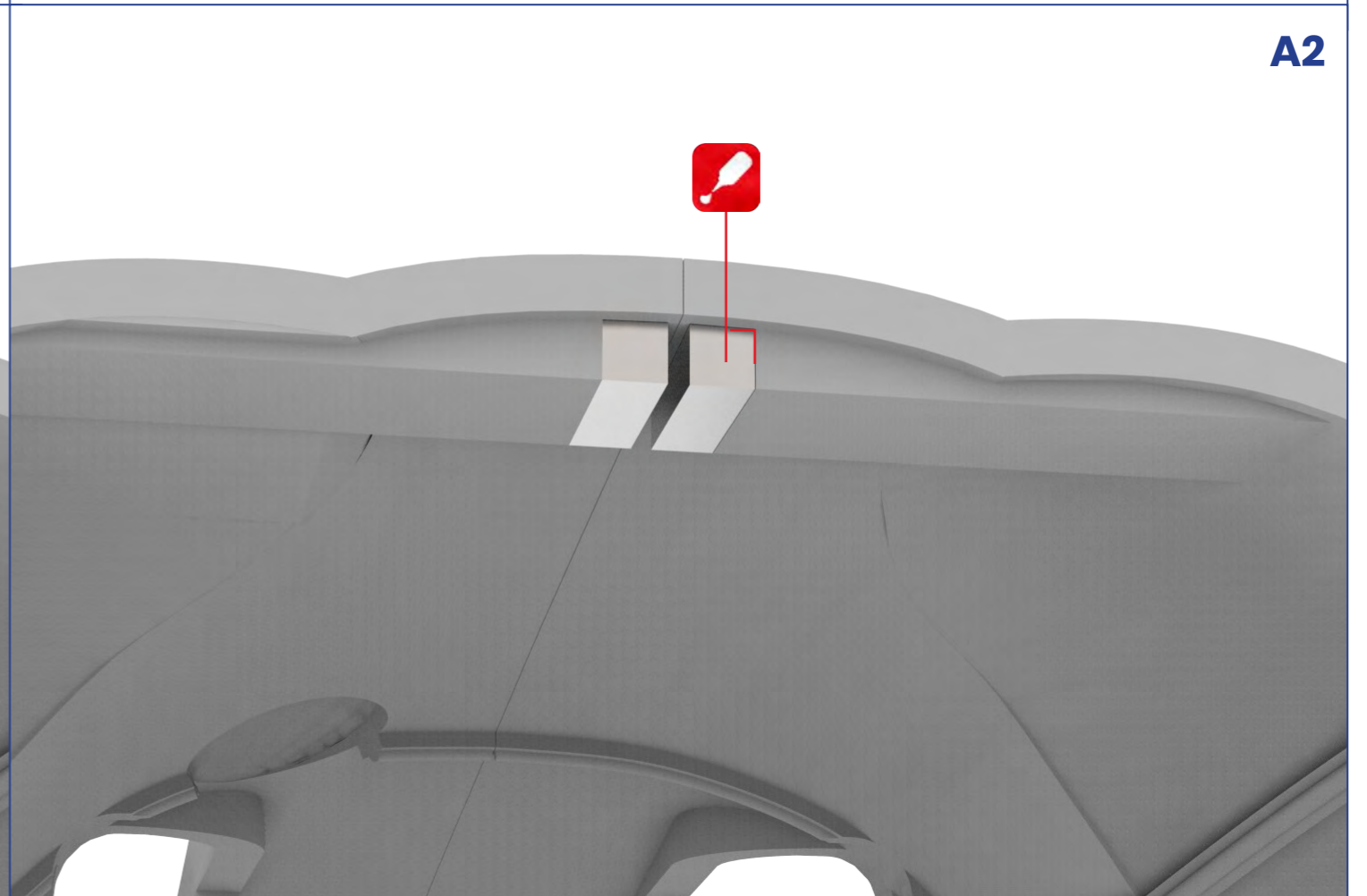
375



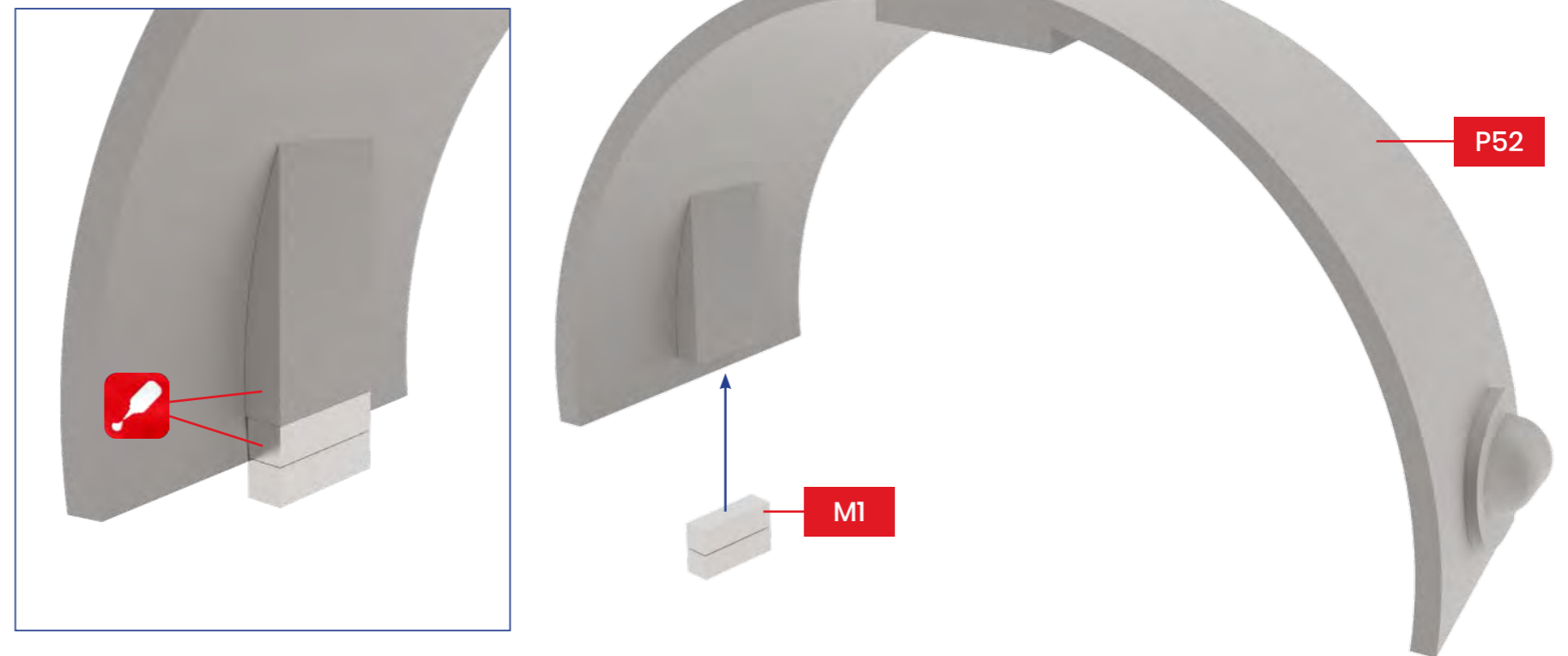
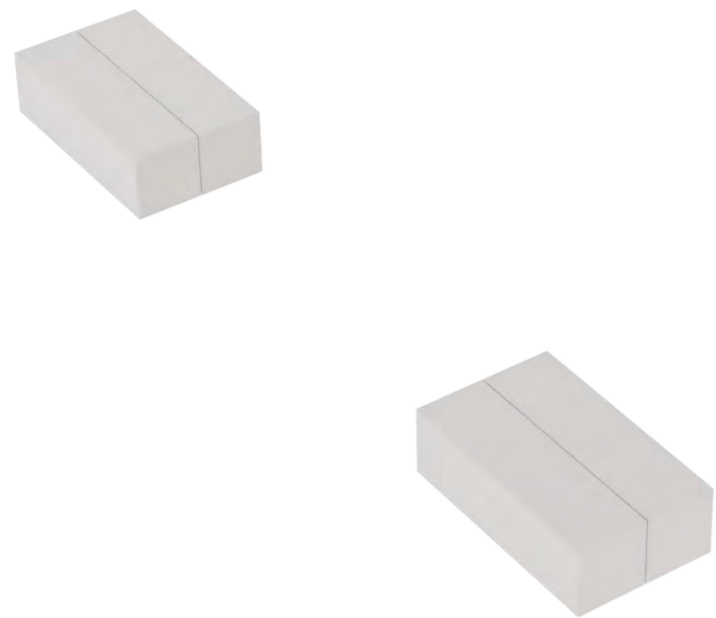
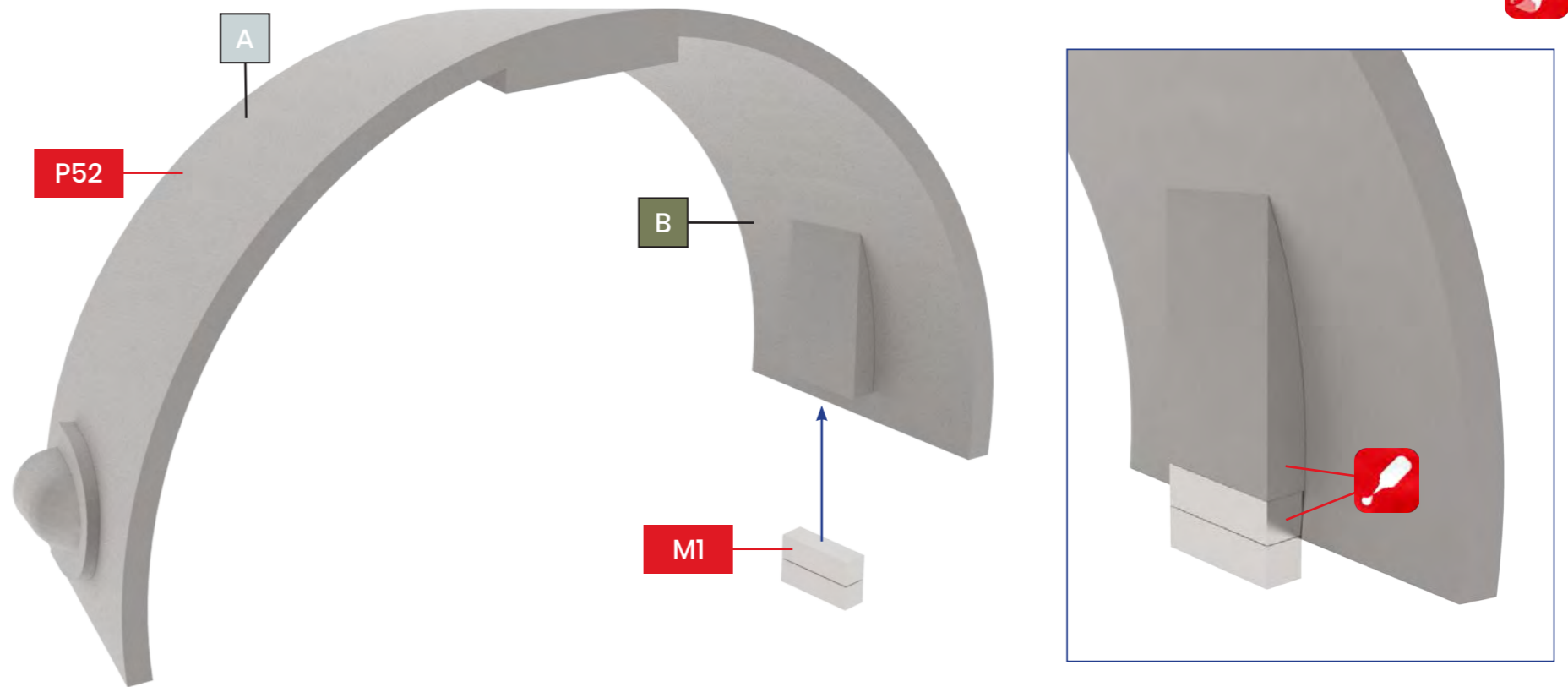
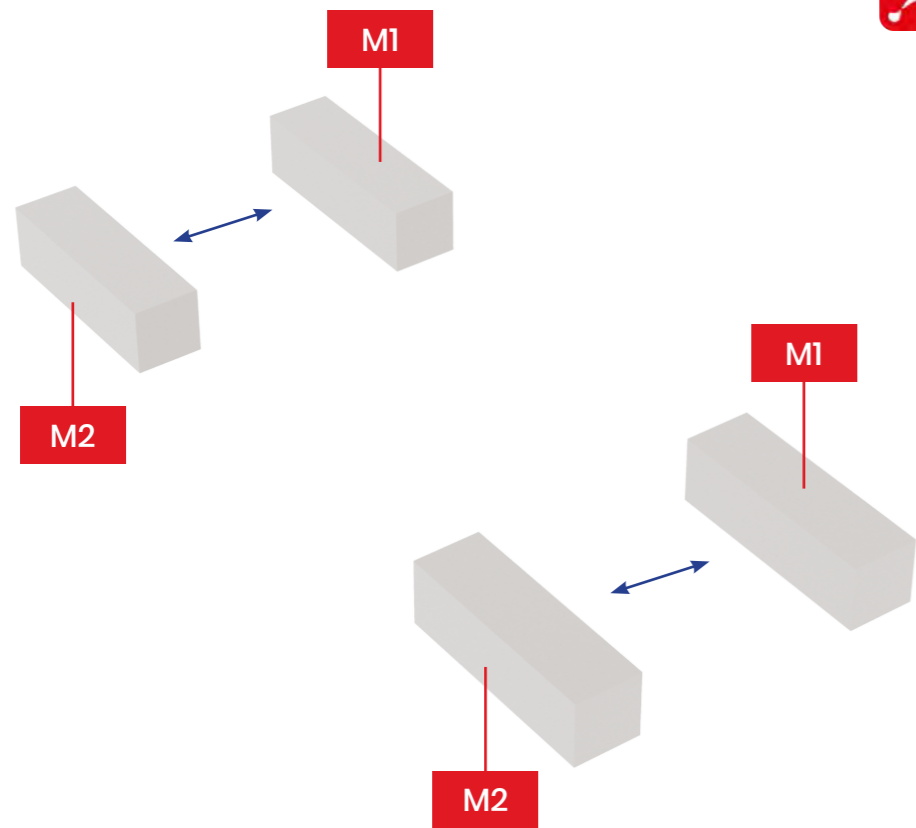
A1



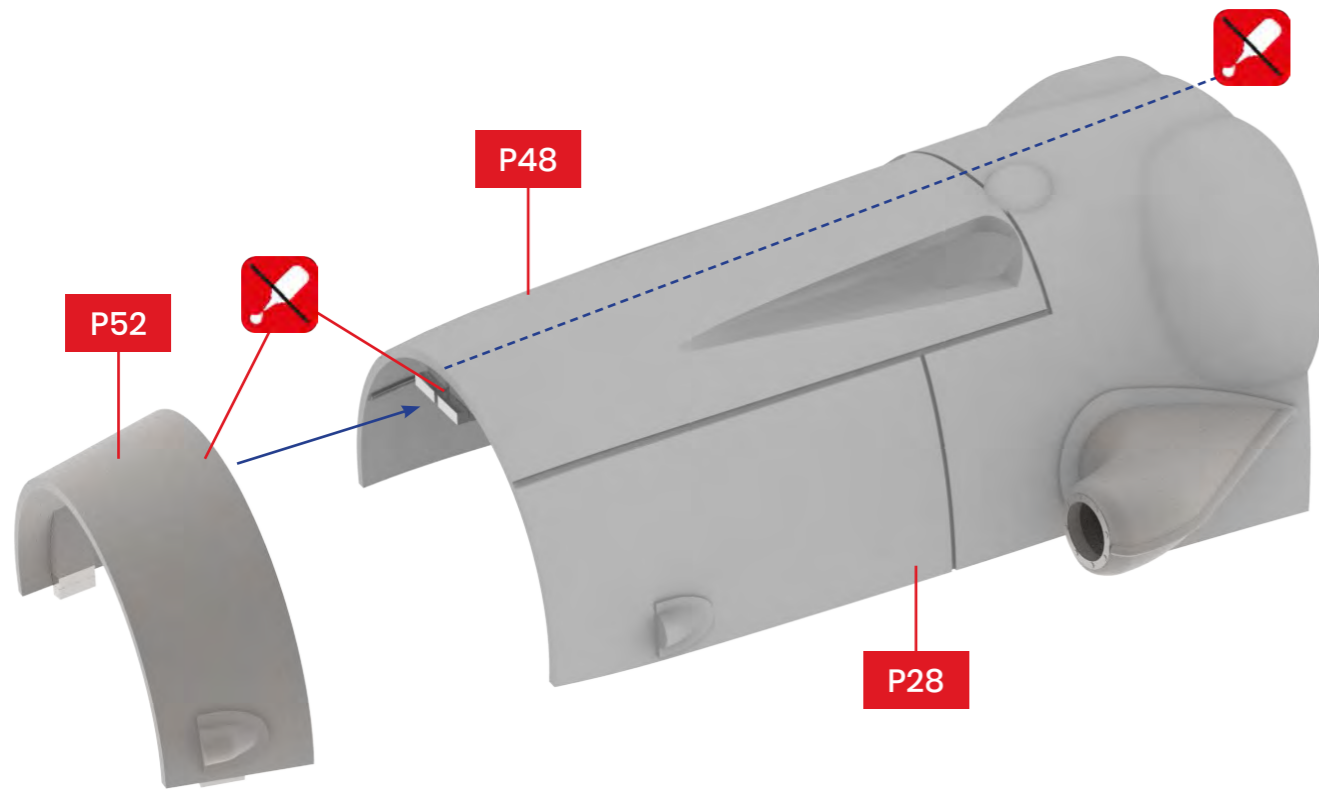
A2



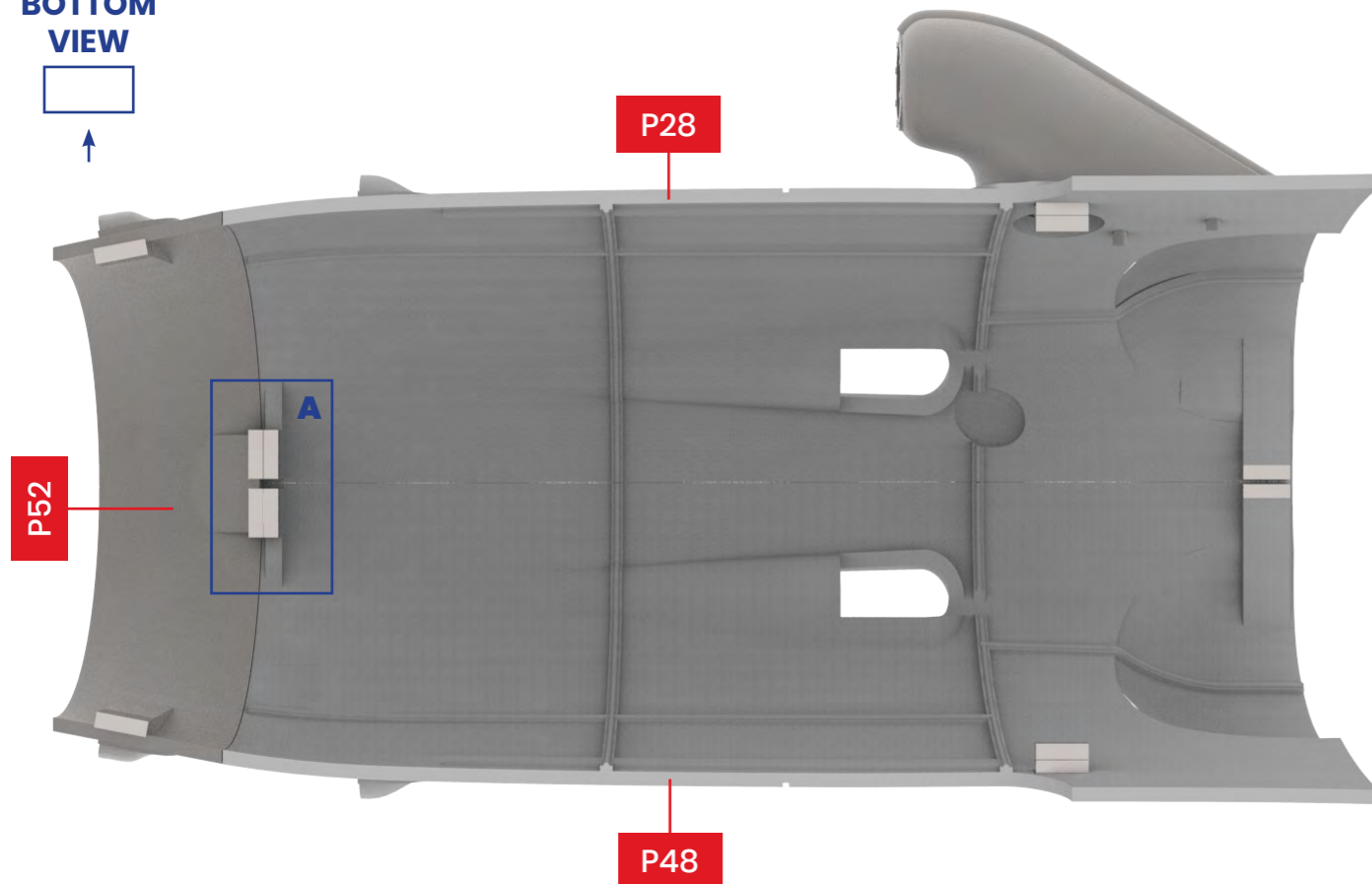
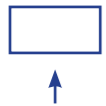
376



377

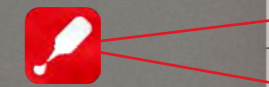
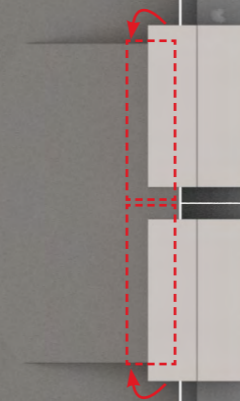


**BOTTOM
VIEW**



A1

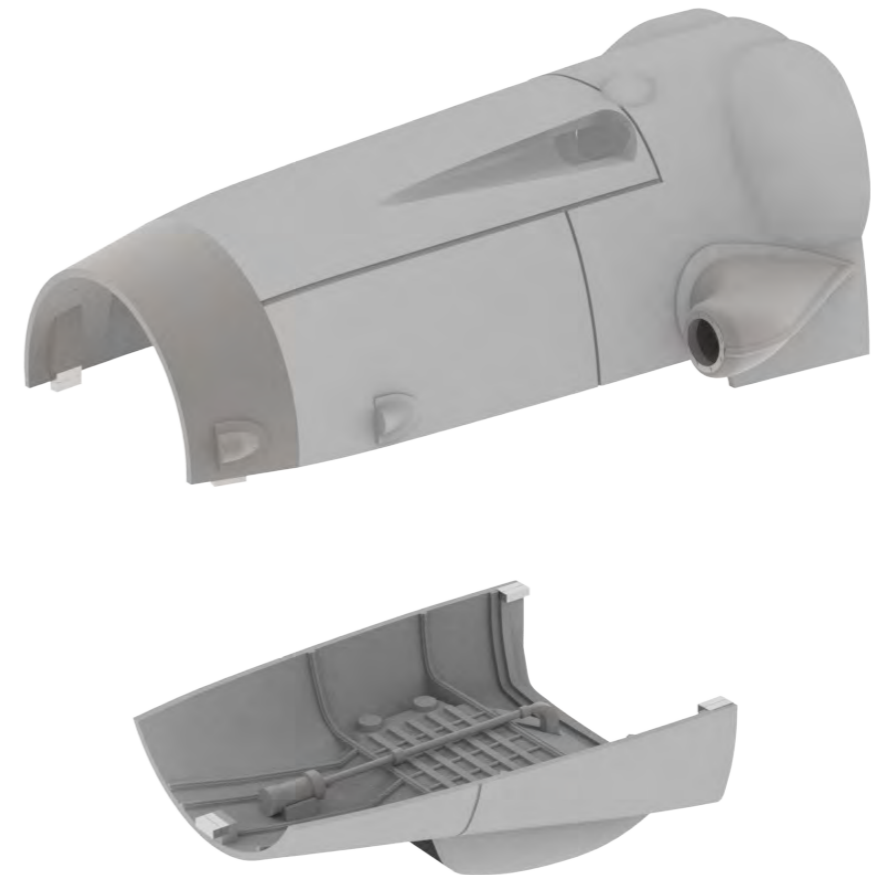
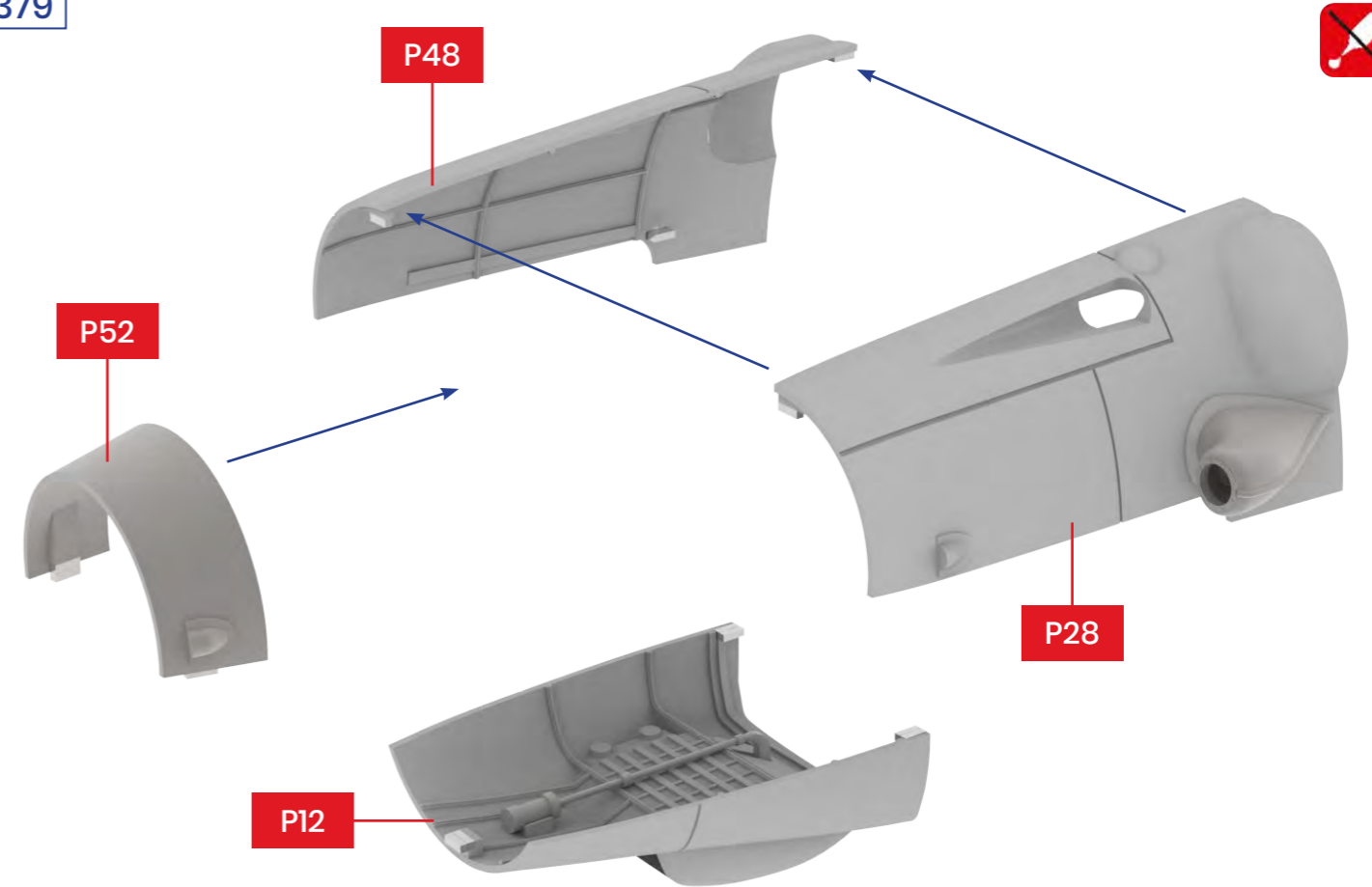
A2



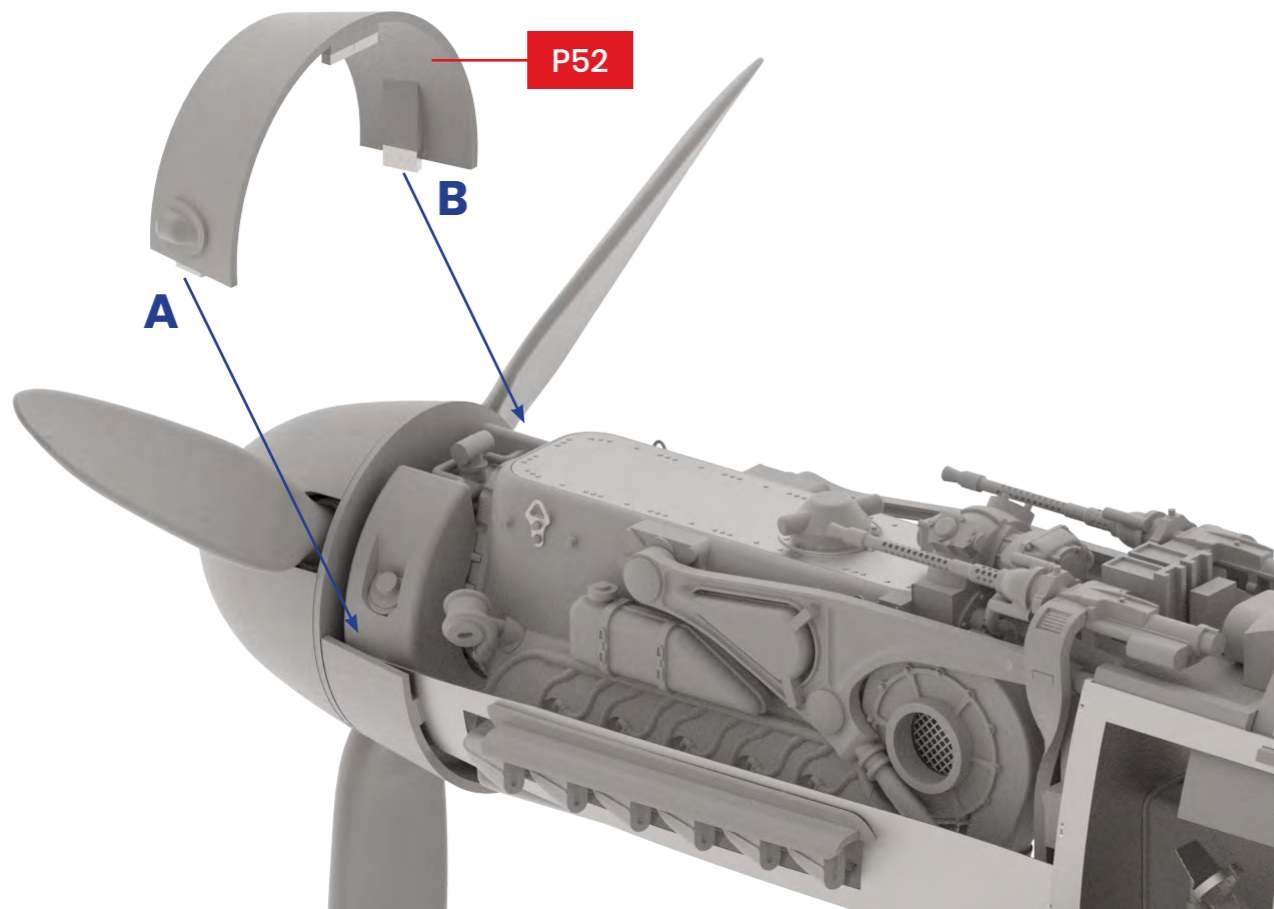
378



379



380



A1

P52

P91

B1

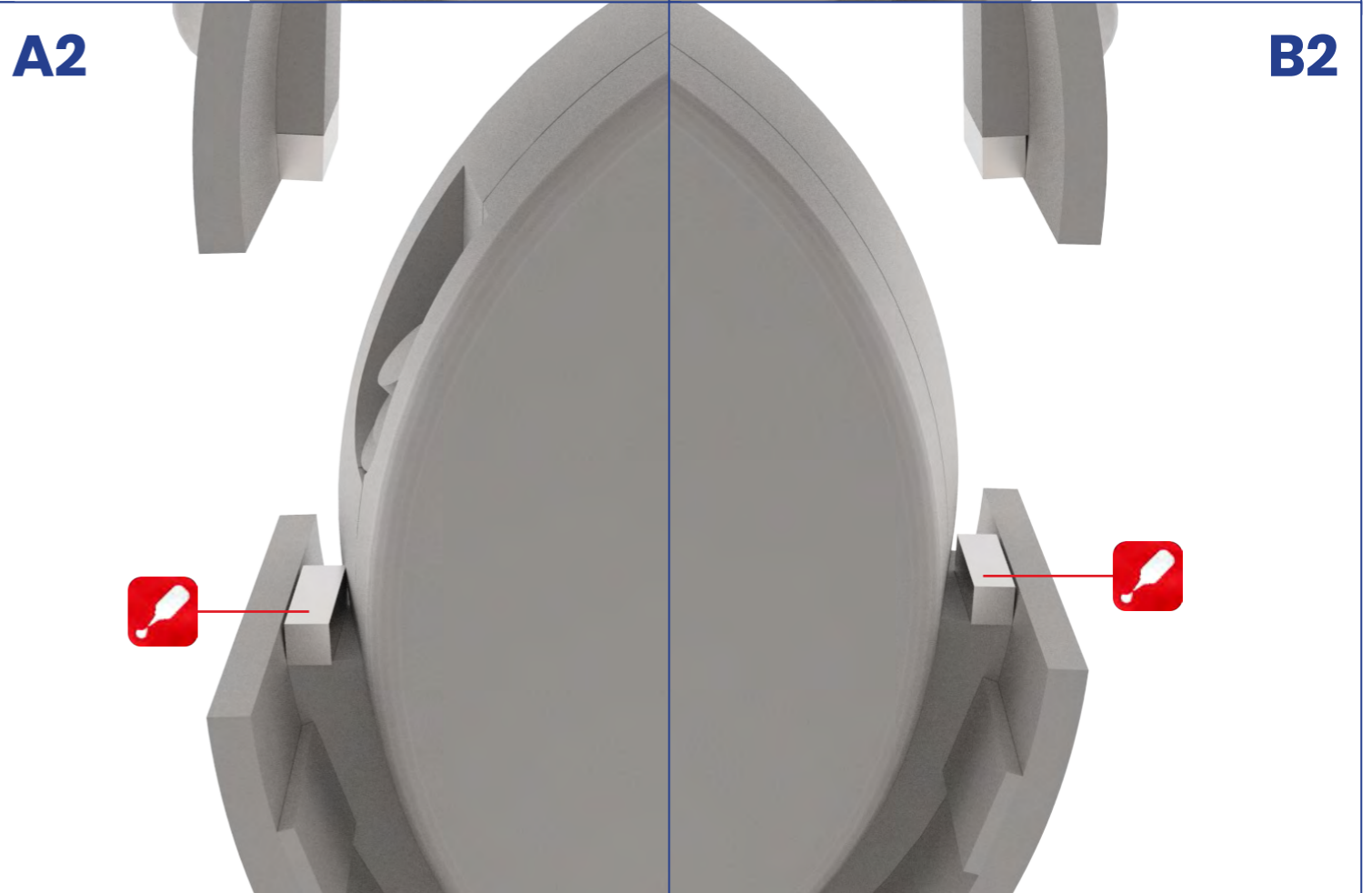
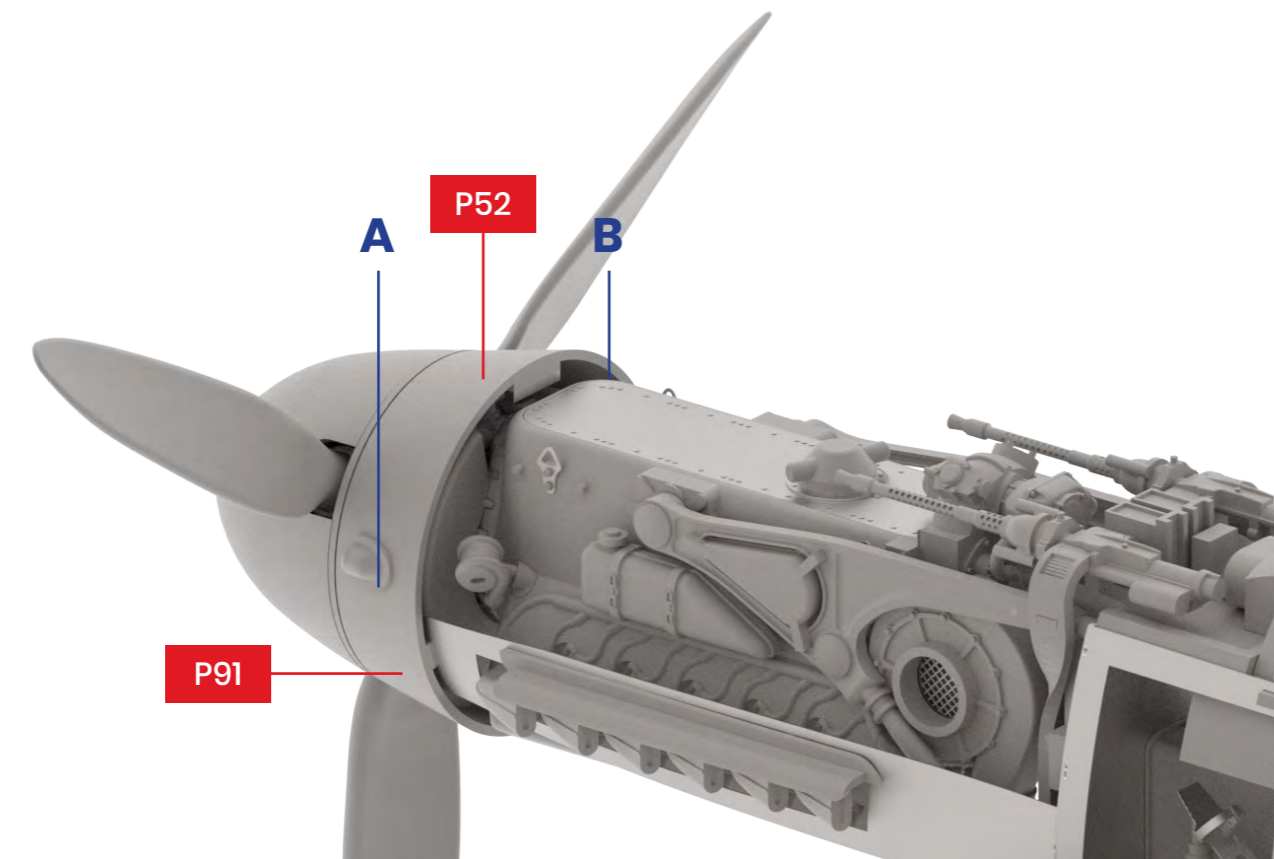
P52

P91

A2



B2

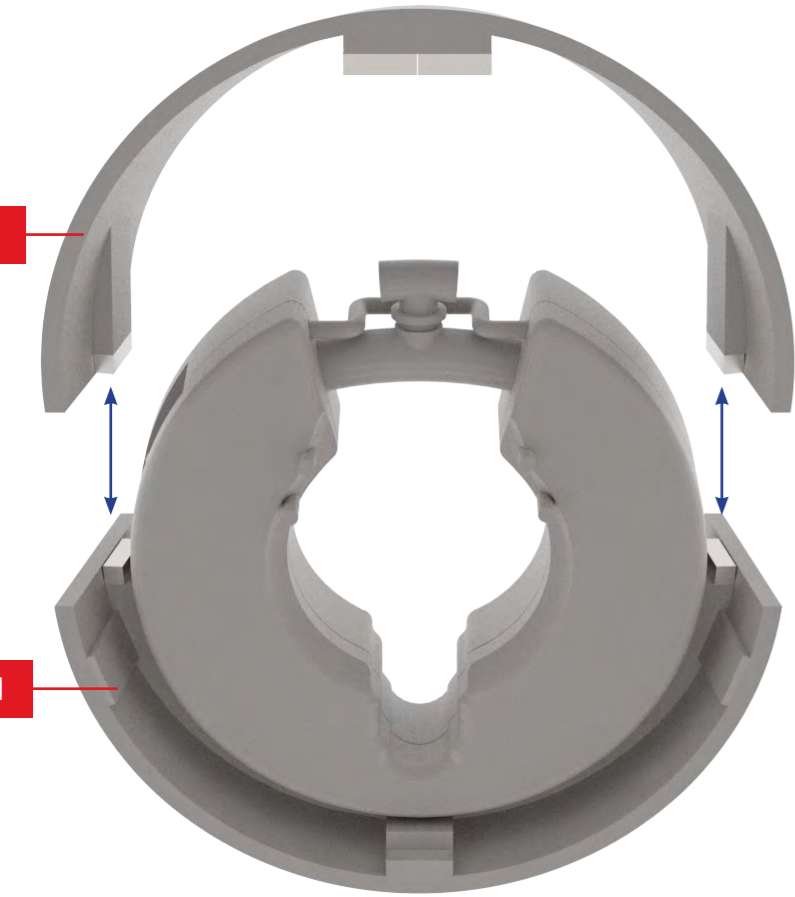


381



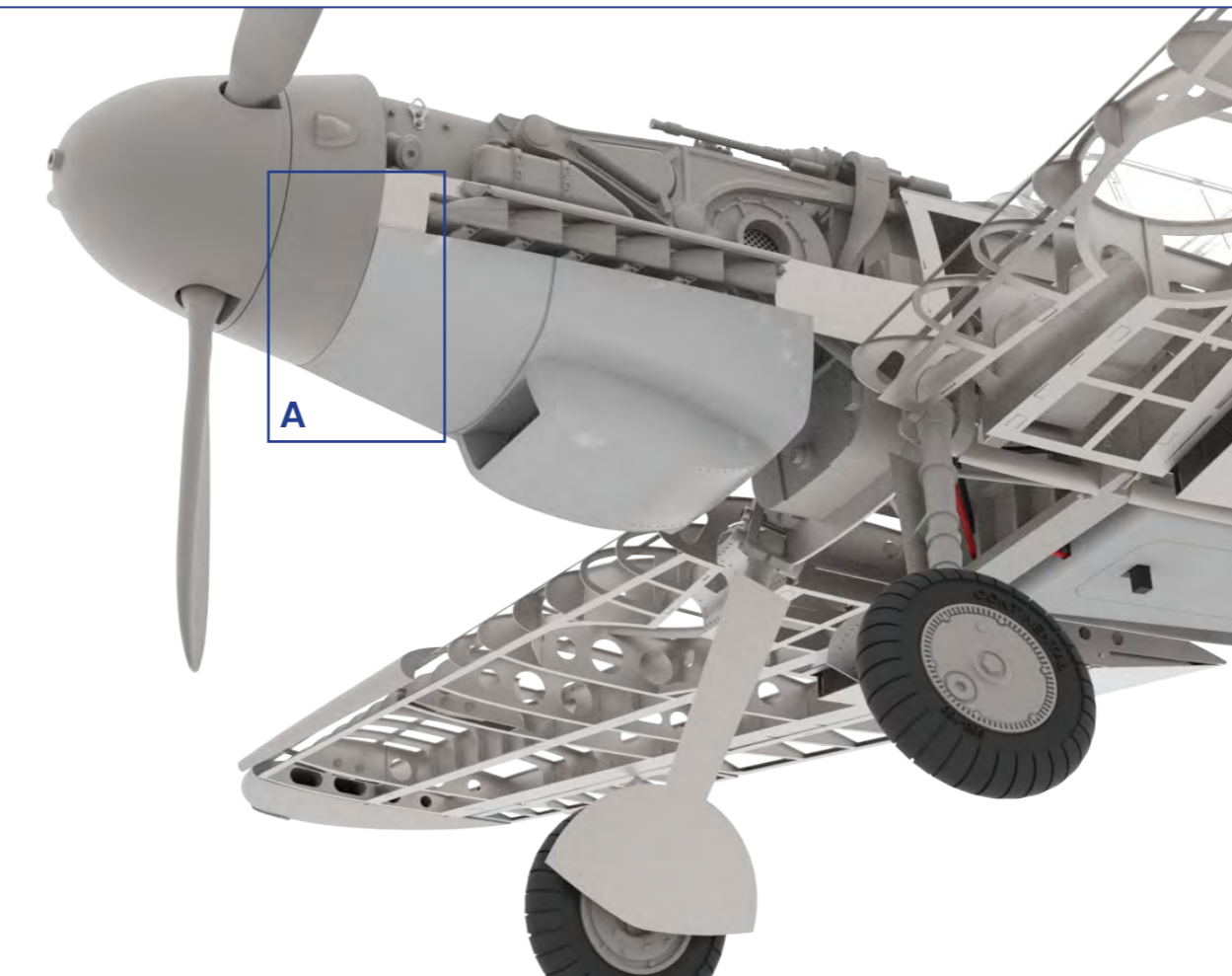
P52

P91



382

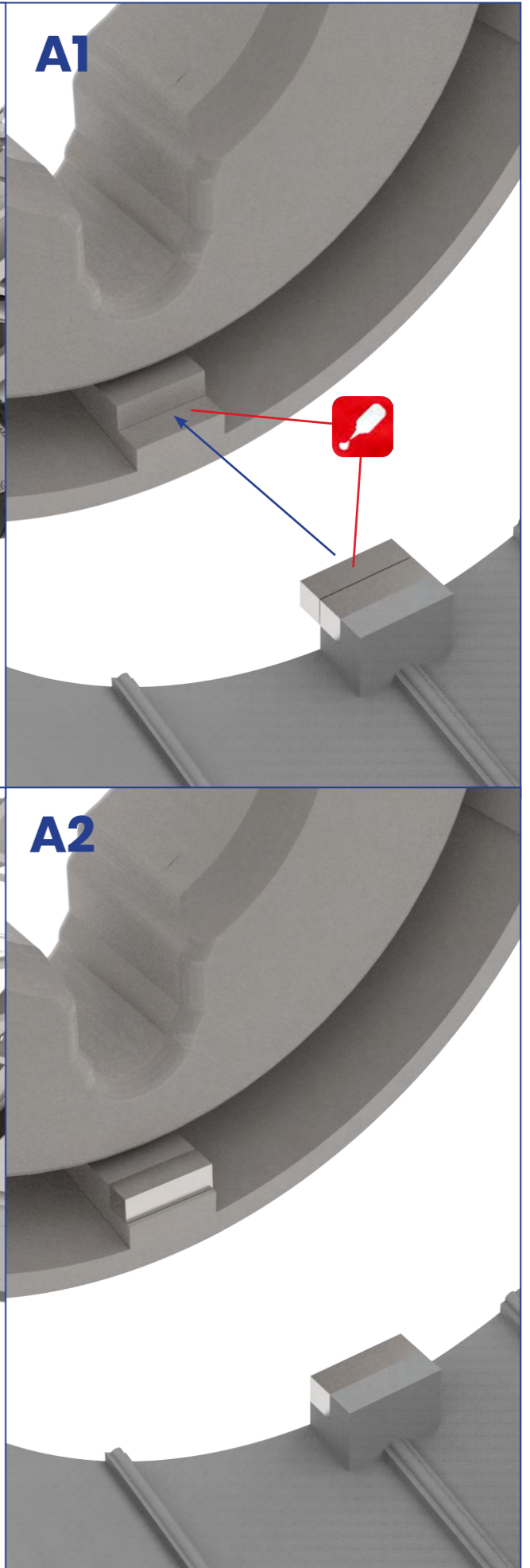
P12



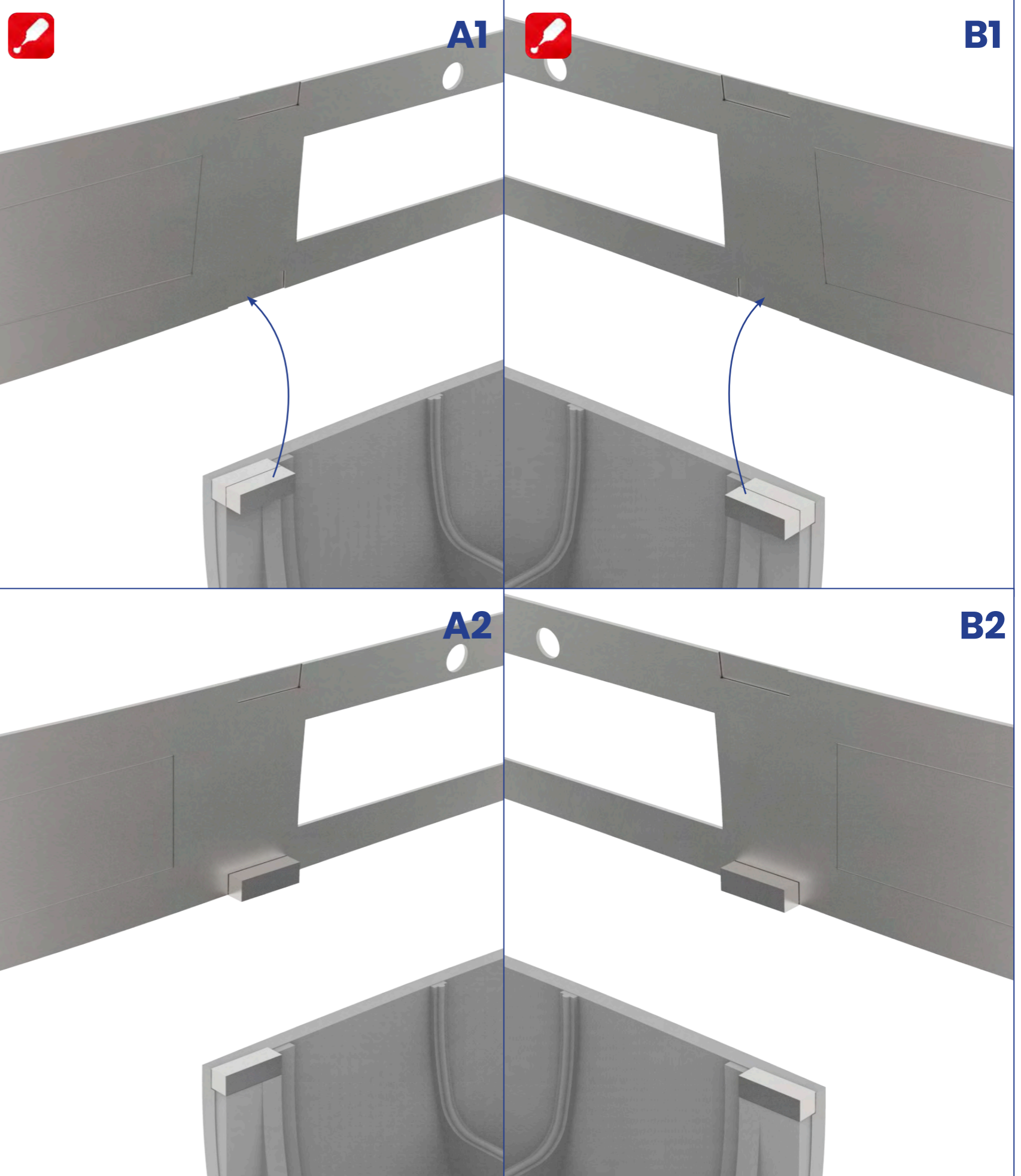
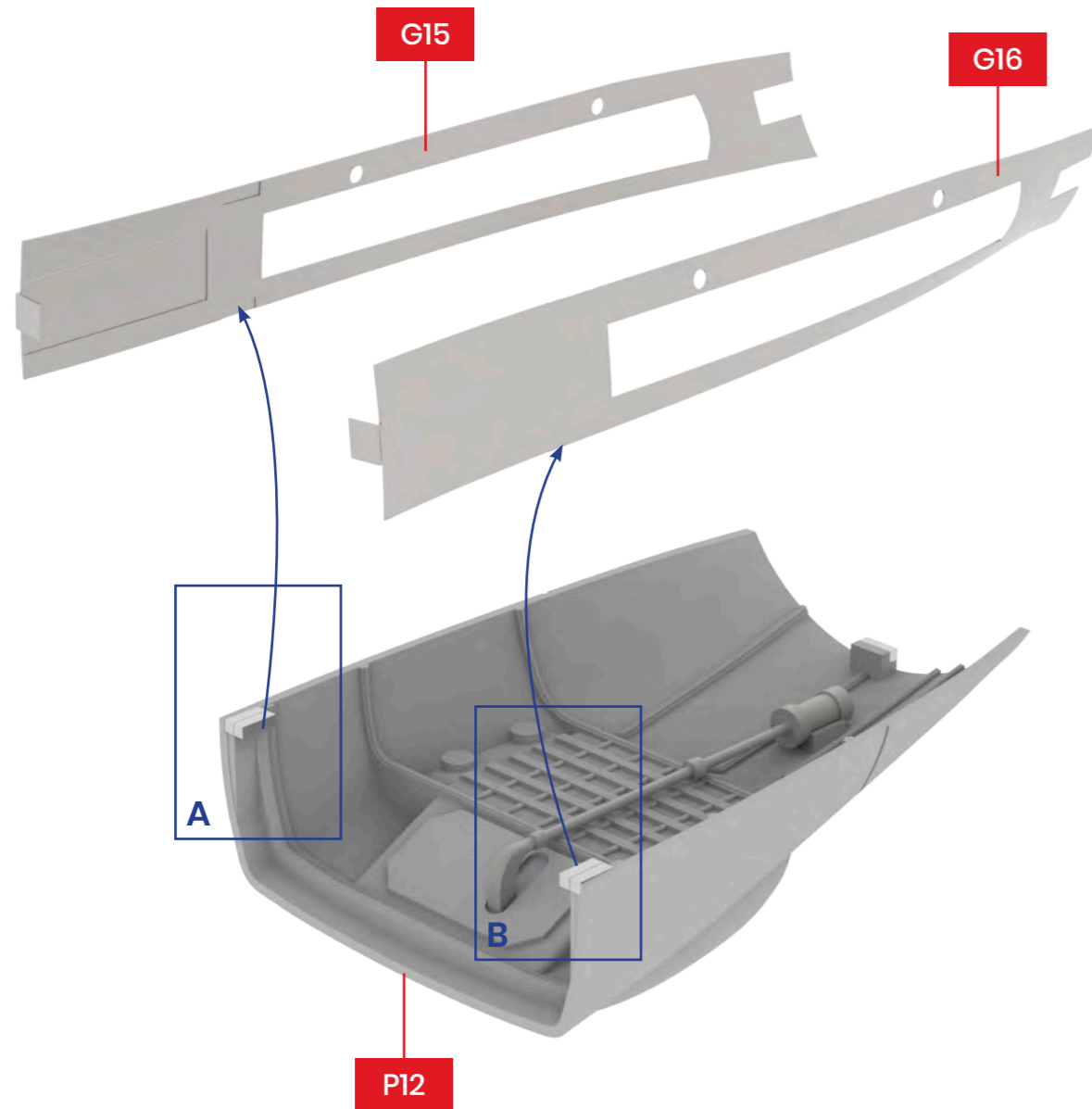
A1



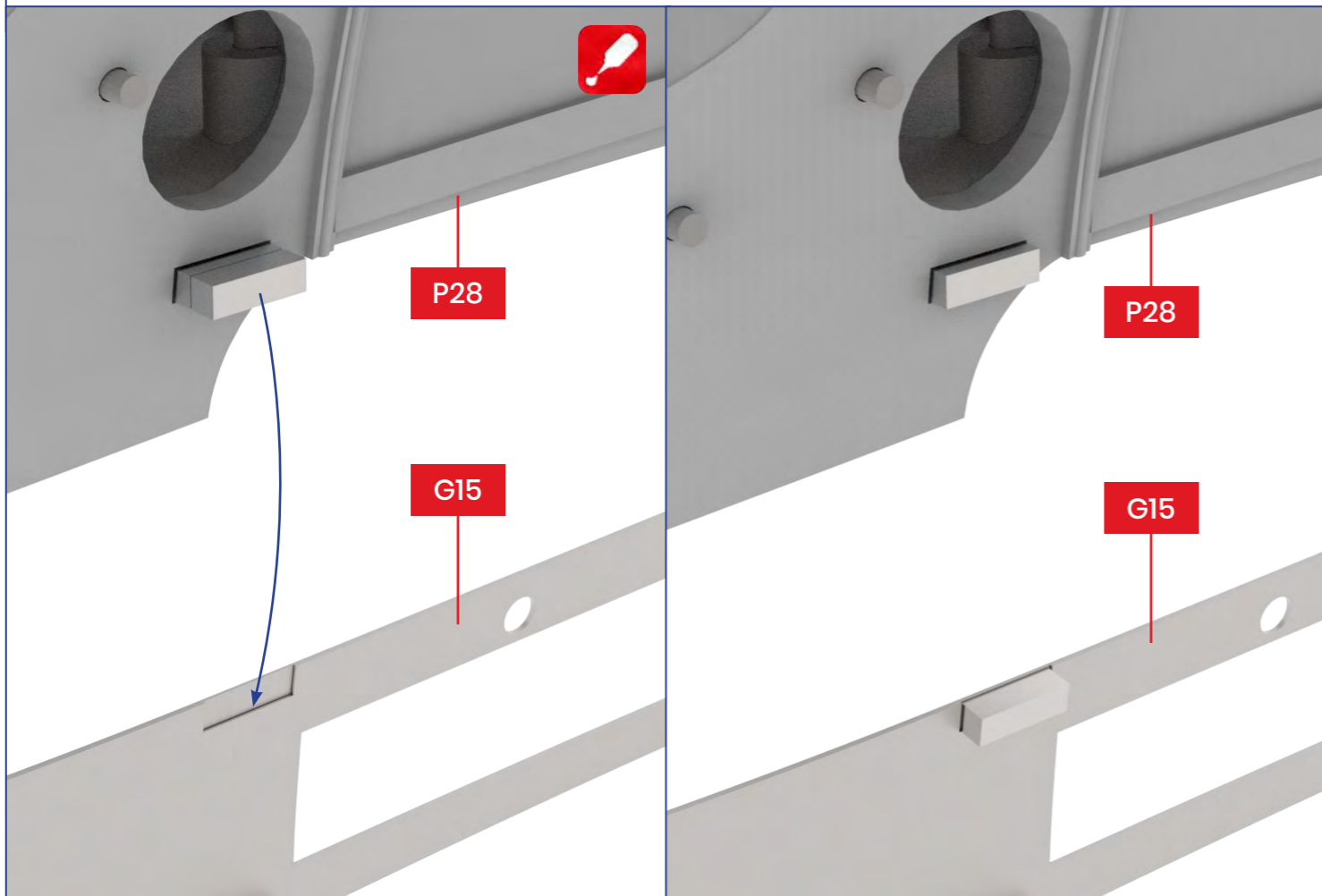
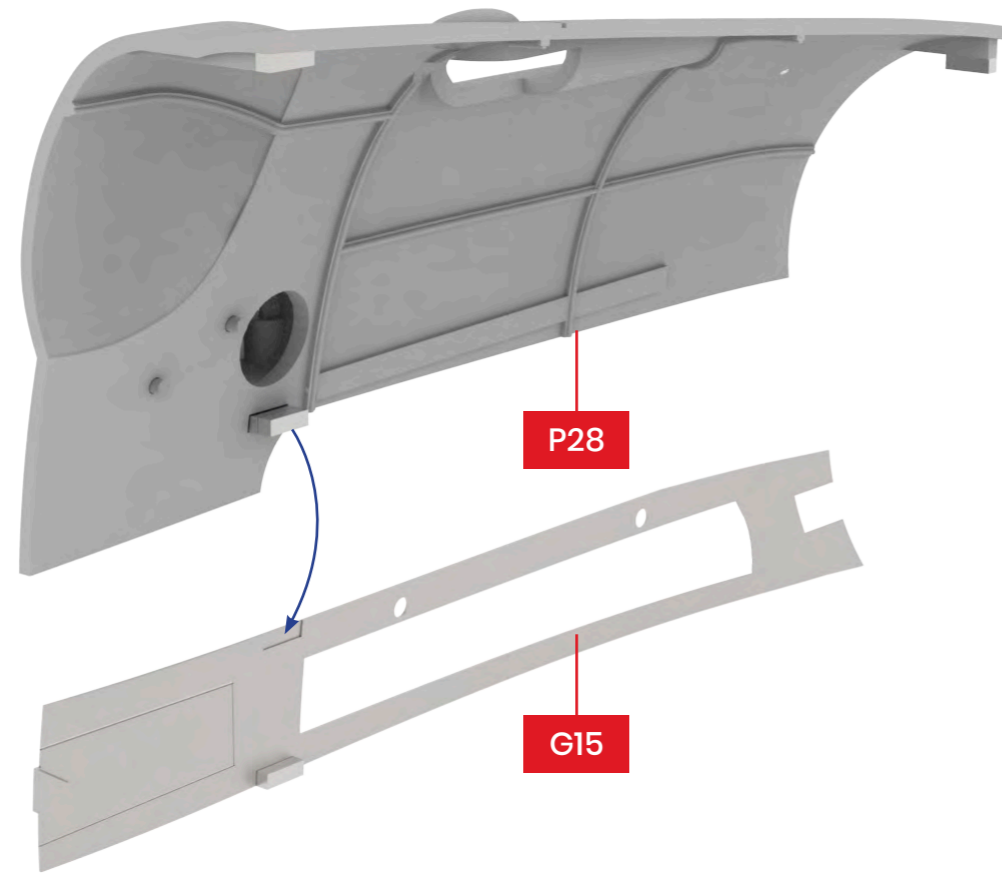
A2



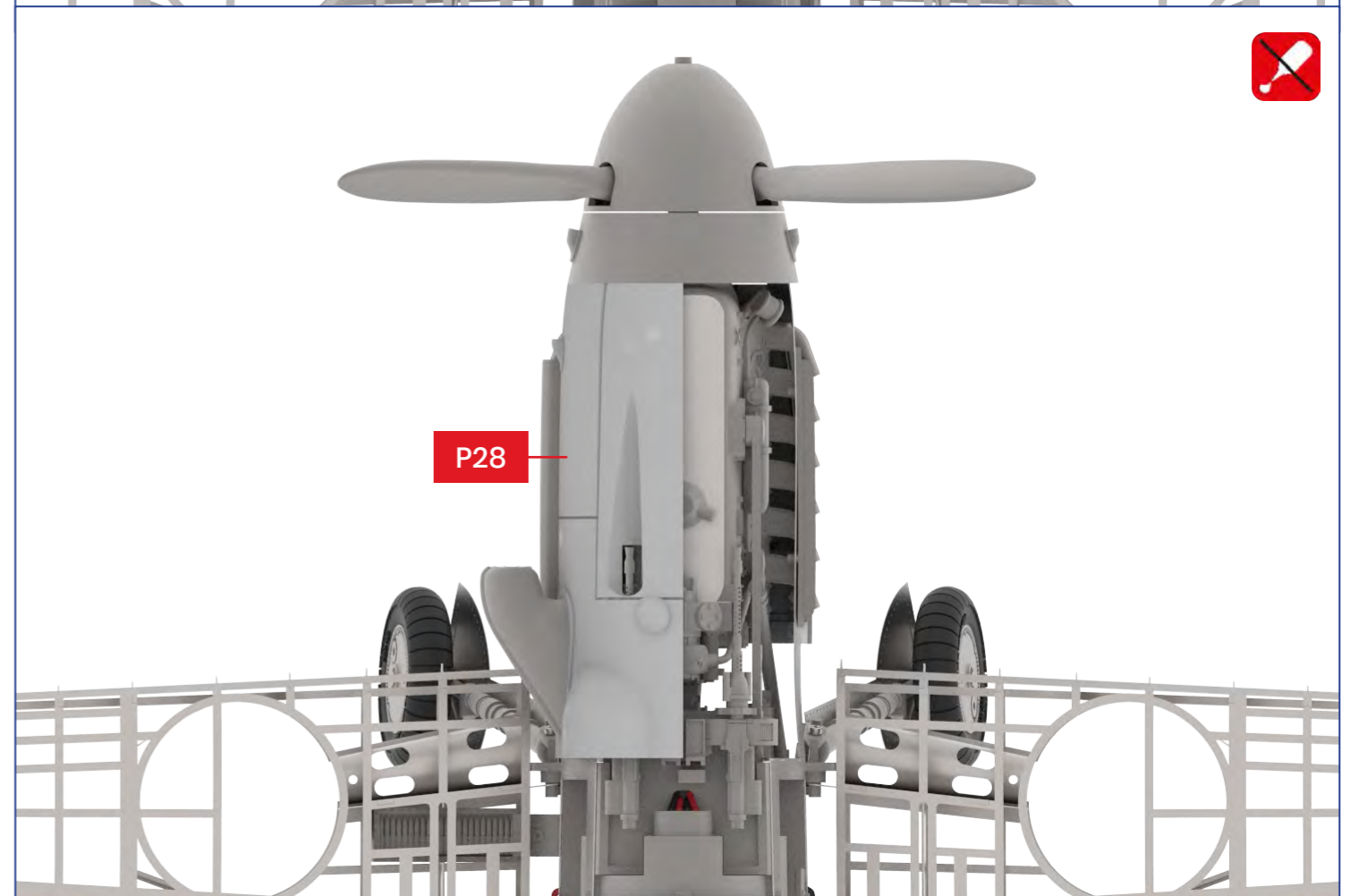
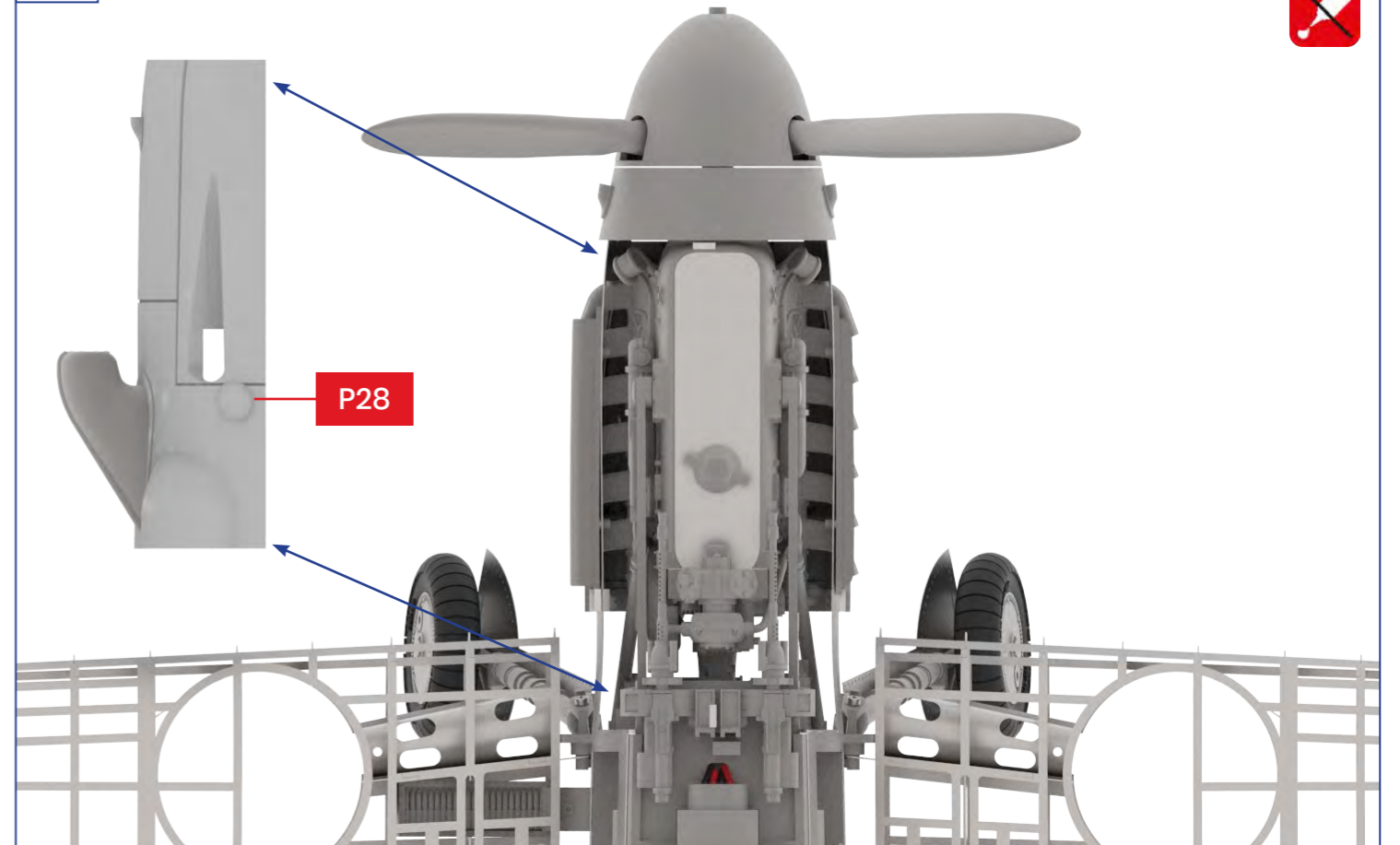
383



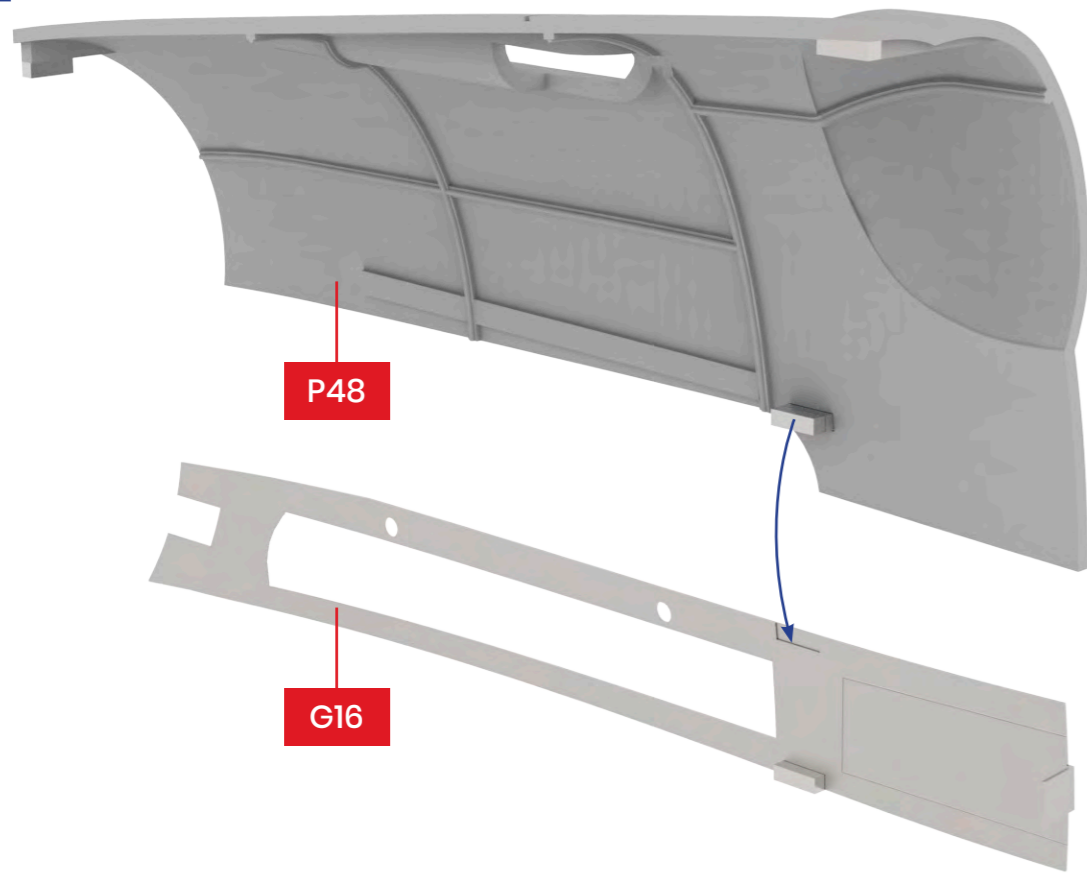
384



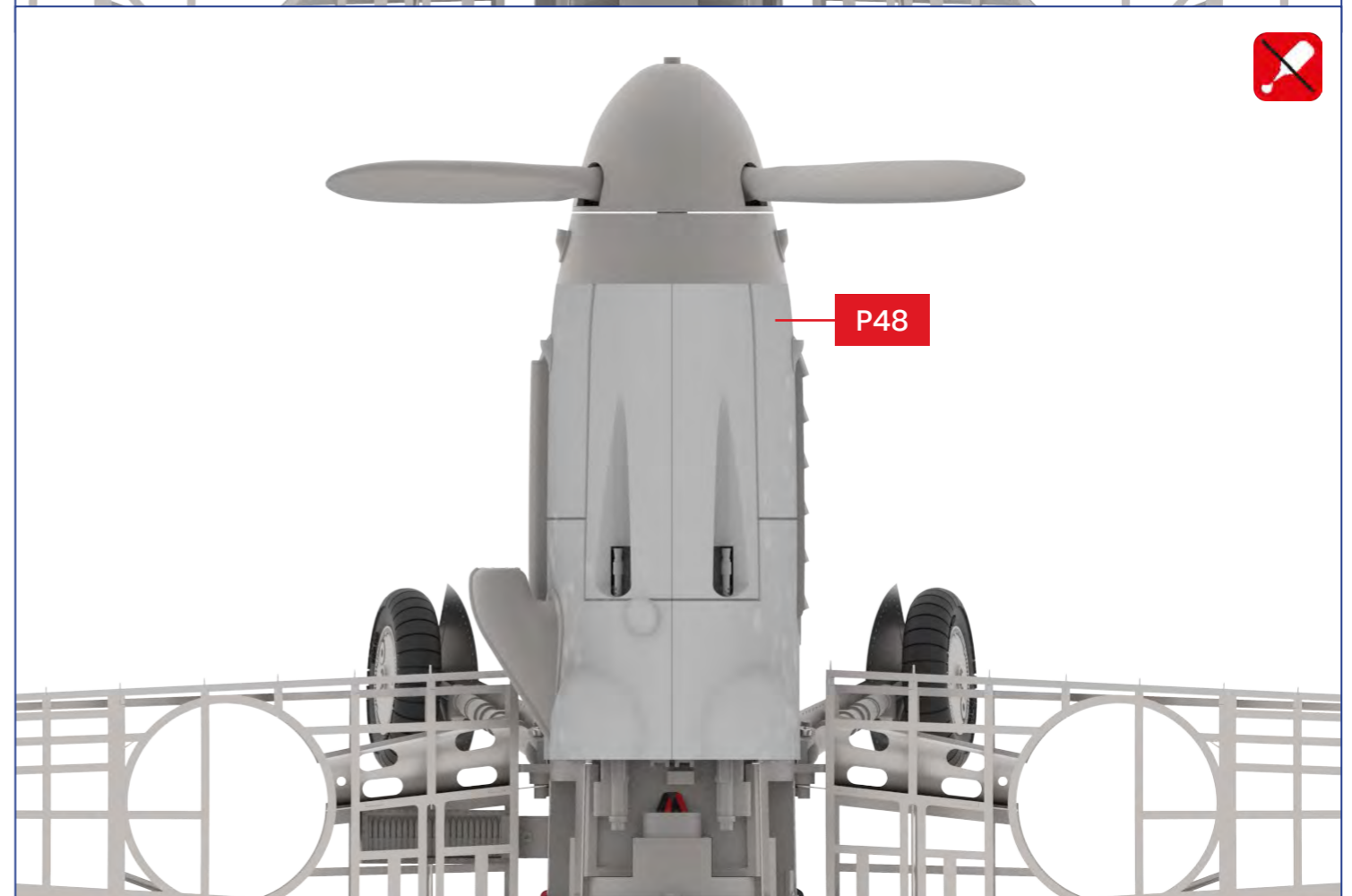
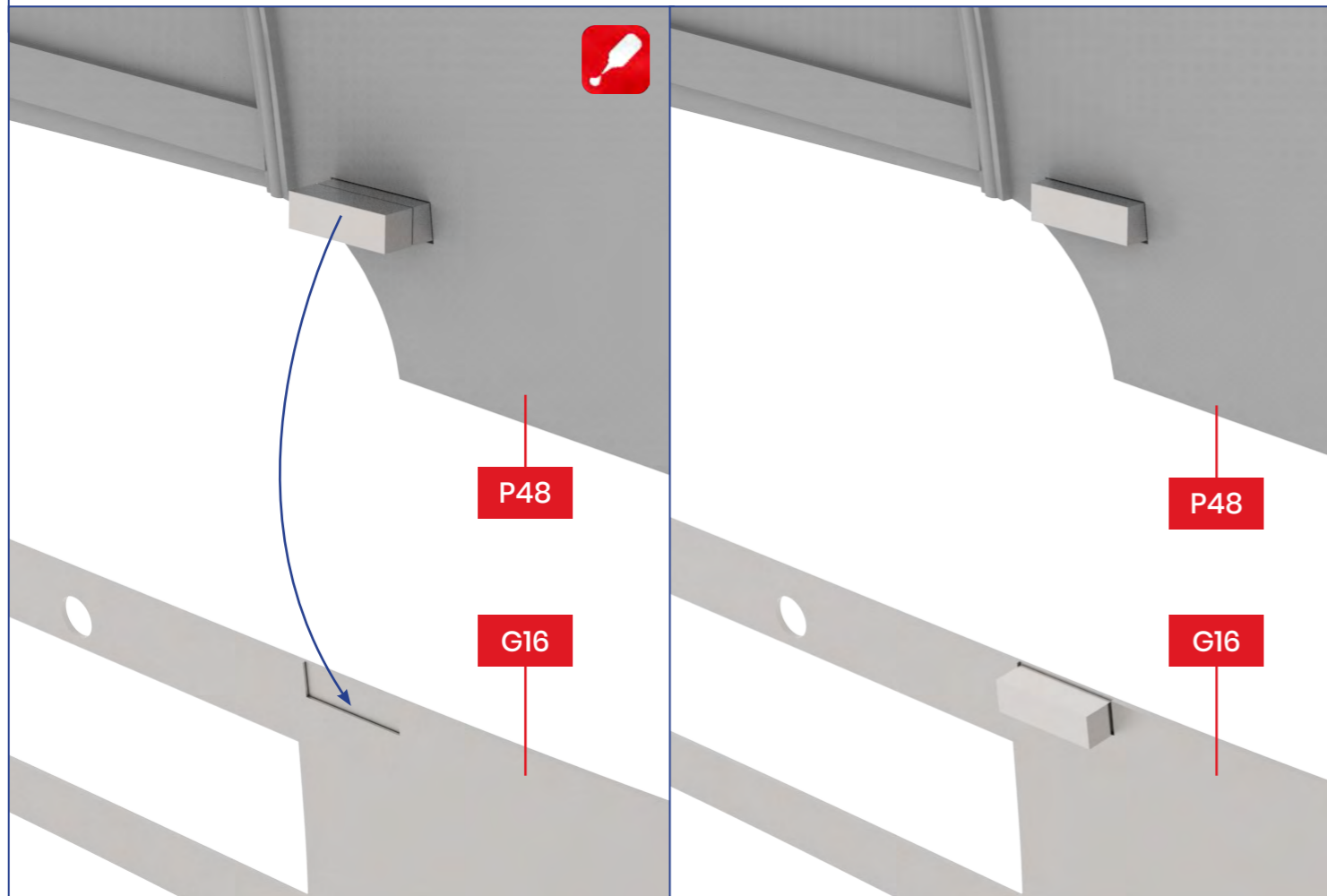
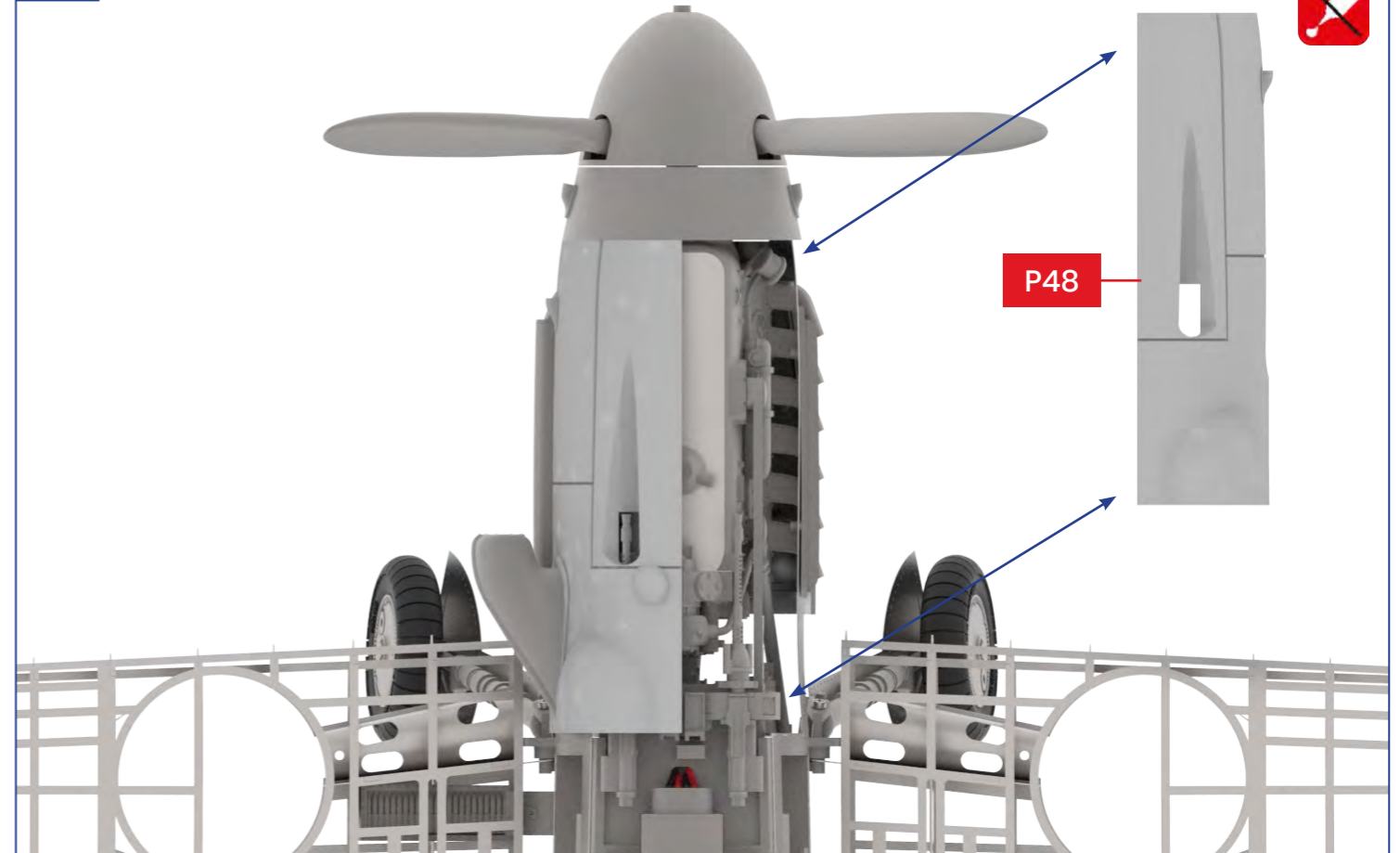
385



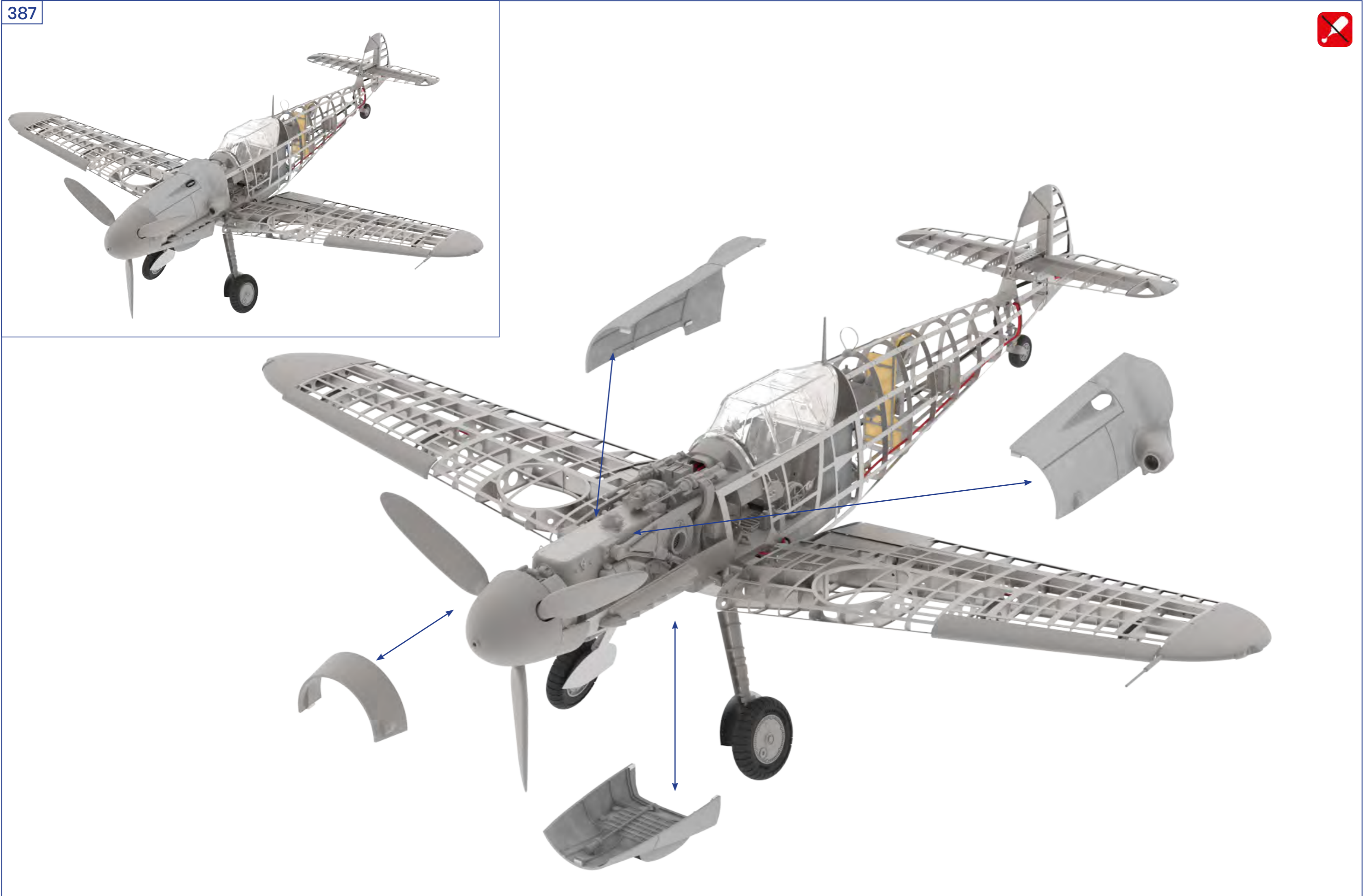
385



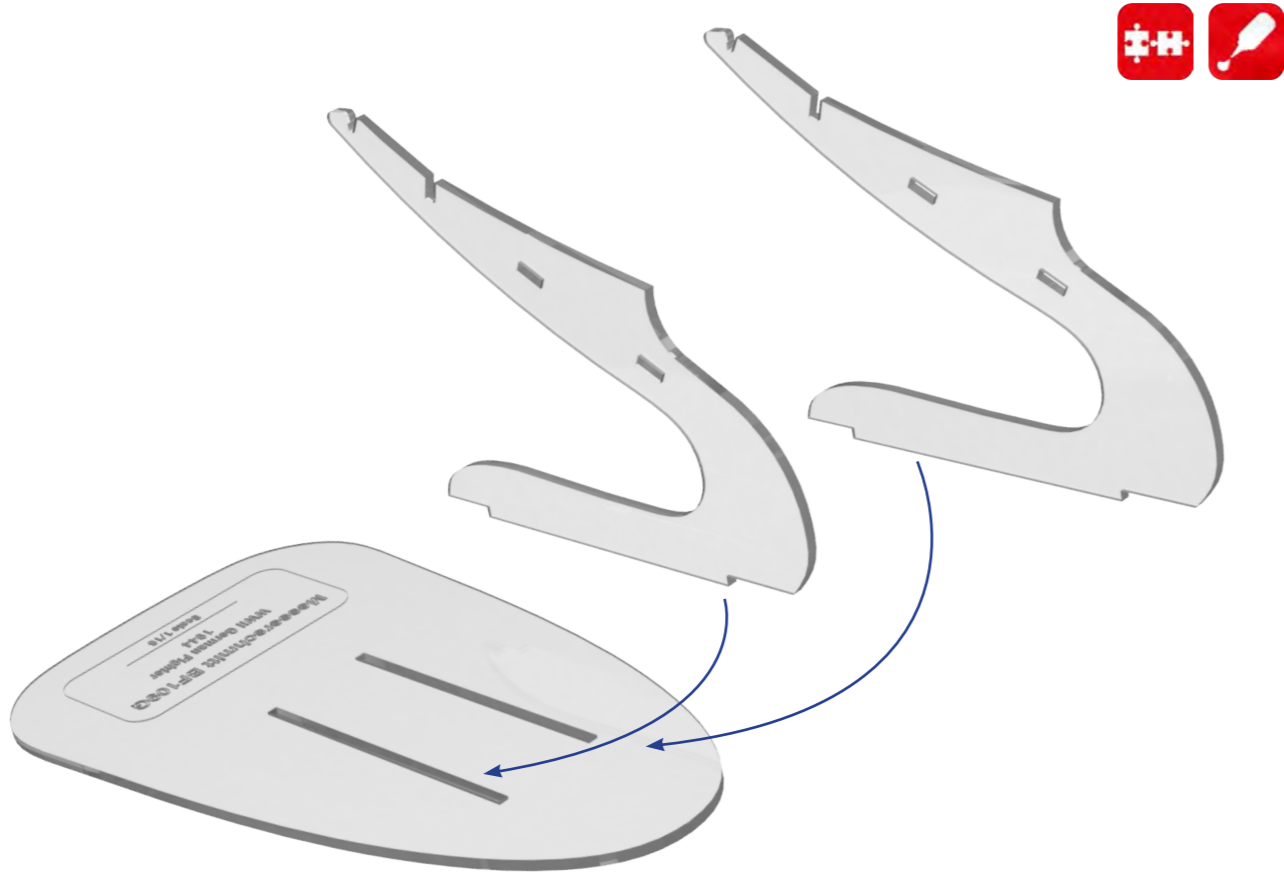
386



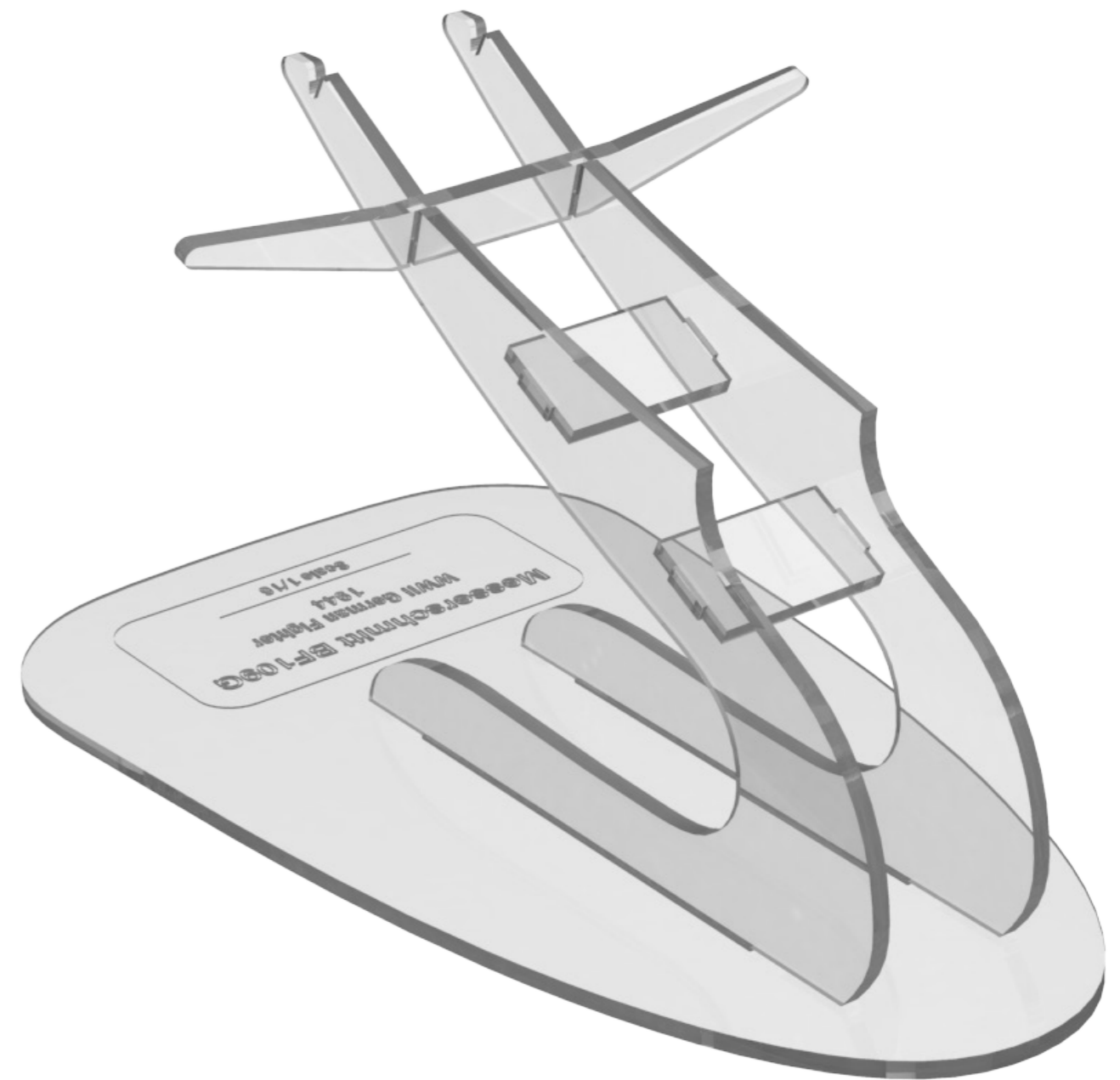
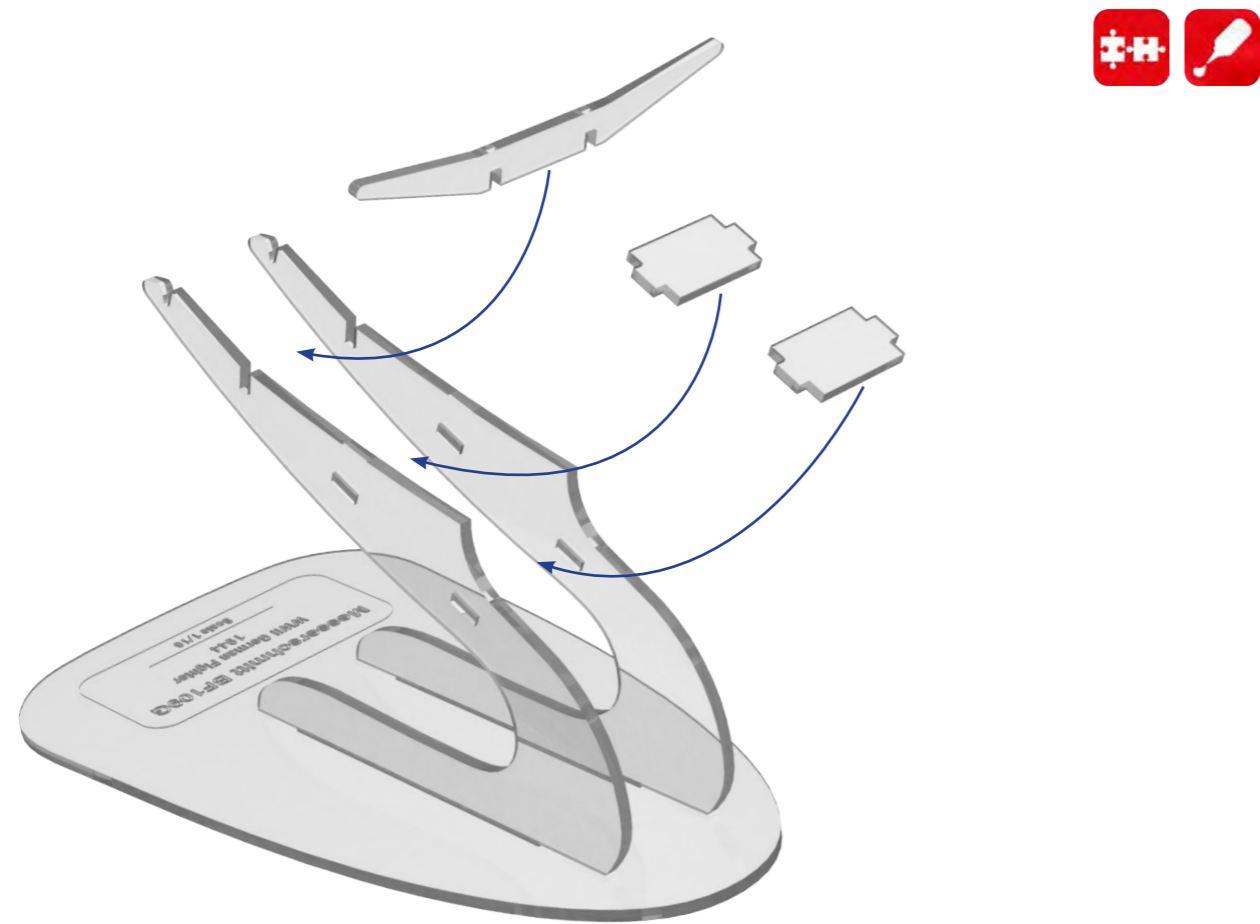
387



388



methacrylate base





LE POUVOIR DE L'IMAGINATION
www.artesania latina.net